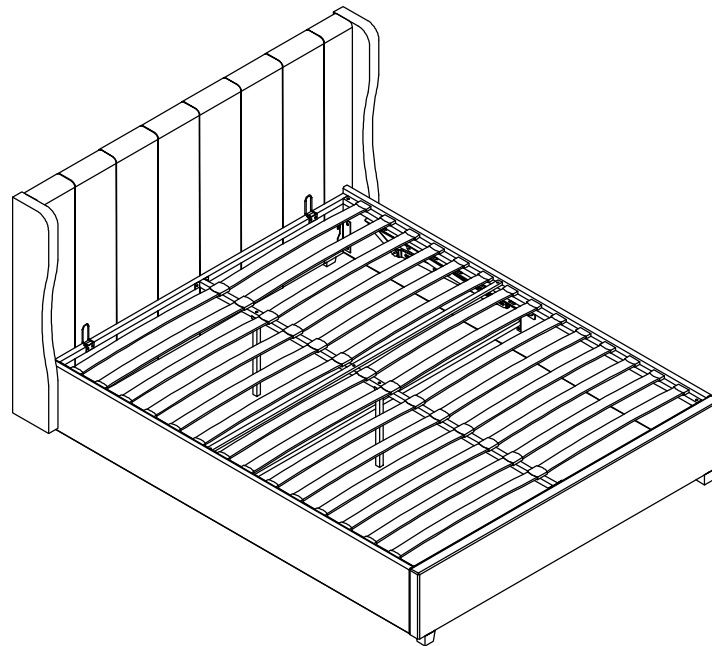


IMPORTANT PLEASE FOLLOW !

After unpacking the product, keep the original packaging in case you need to return it. Before starting assembly, check that all parts and hardware are included and in good condition. If anything is missing or damaged, contact the supplier or retailer. **Do not use** non-original parts, modify the item or use power tools as this will void the warranty. Study the instructions thoroughly and follow each step carefully before proceeding to the next.

GREEN VELVET FABRIC AMELIA 5' PLUS BED ASSEMBLY INSTRUCTIONS



FOR DOMESTIC USE ONLY FURNITURE CARE AND MAINTENANCE PLEASE READ BEFORE YOU CONTINUE FURTHER

Safety

- Keep children away from the area during assembly for safety.
- Use a blanket or sheet on the floor during assembly to protect both the product and your flooring.
- Follow all recommended weight limits as shown on the assembly instructions.

Care

- Avoid dragging or pushing the product, as this may damage the joints and weaken the structure.
- Avoid prolonged exposure to direct sunlight, which can cause fading, discolouration, or drying of fabric.
- Maintain stable room temperature and humidity, as extreme heat, cold, or moisture may lead to warping, cracking, or swelling.
- Protect the surface from hot or cold items by using placemat's or coasters.
- Please avoid attaching anything sticky to the item, such as Sellotape, stickers, or similar materials, as this can damage the finish.
- Use felt pads under décor, lamps and accessories to prevent scratches.
- Clean spills immediately, blotting rather than rubbing to prevent spreading and surface damage.

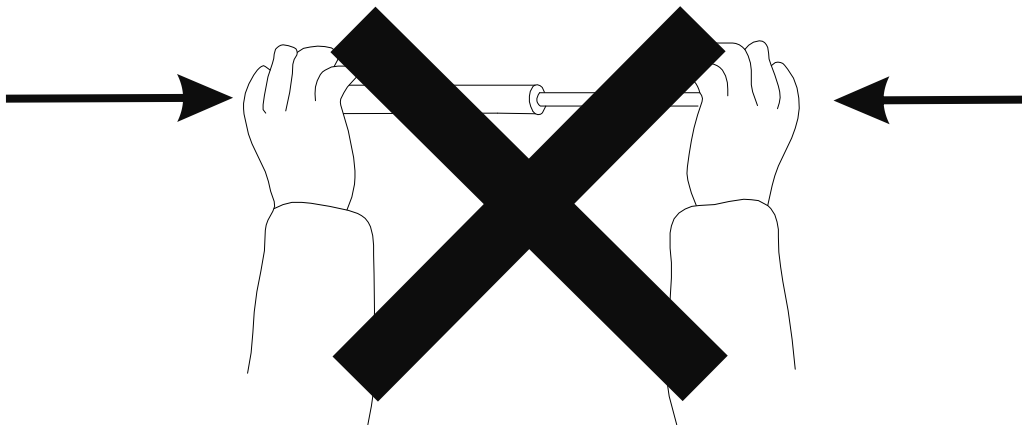
Maintenance

- Periodically tighten all fittings to ensure the furniture remains stable and secure.
- Use only a dry soft cloth for routine cleaning - use a fabric safe cleaner and test on a hidden area first.
- Please vacuum regularly using a soft brush attachment to remove dust, crumbs and pet hair.

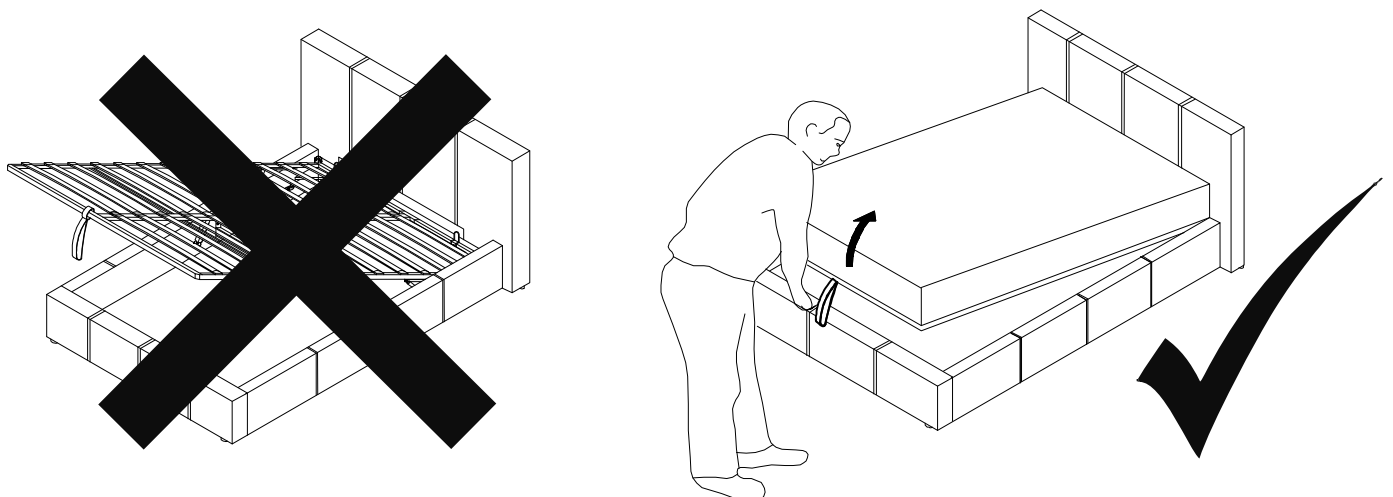
IMPORTANT INFORMATION !

GAS STRUT 750N MAXIMUM MATTRESS WEIGHT 45KG !!

The gas lifts used in the construction of this product are extremely strong and cannot be operated by hand when not fitted to the ottoman hinges. All gas lifts are tested in the factory for correct pressure and operation before use.

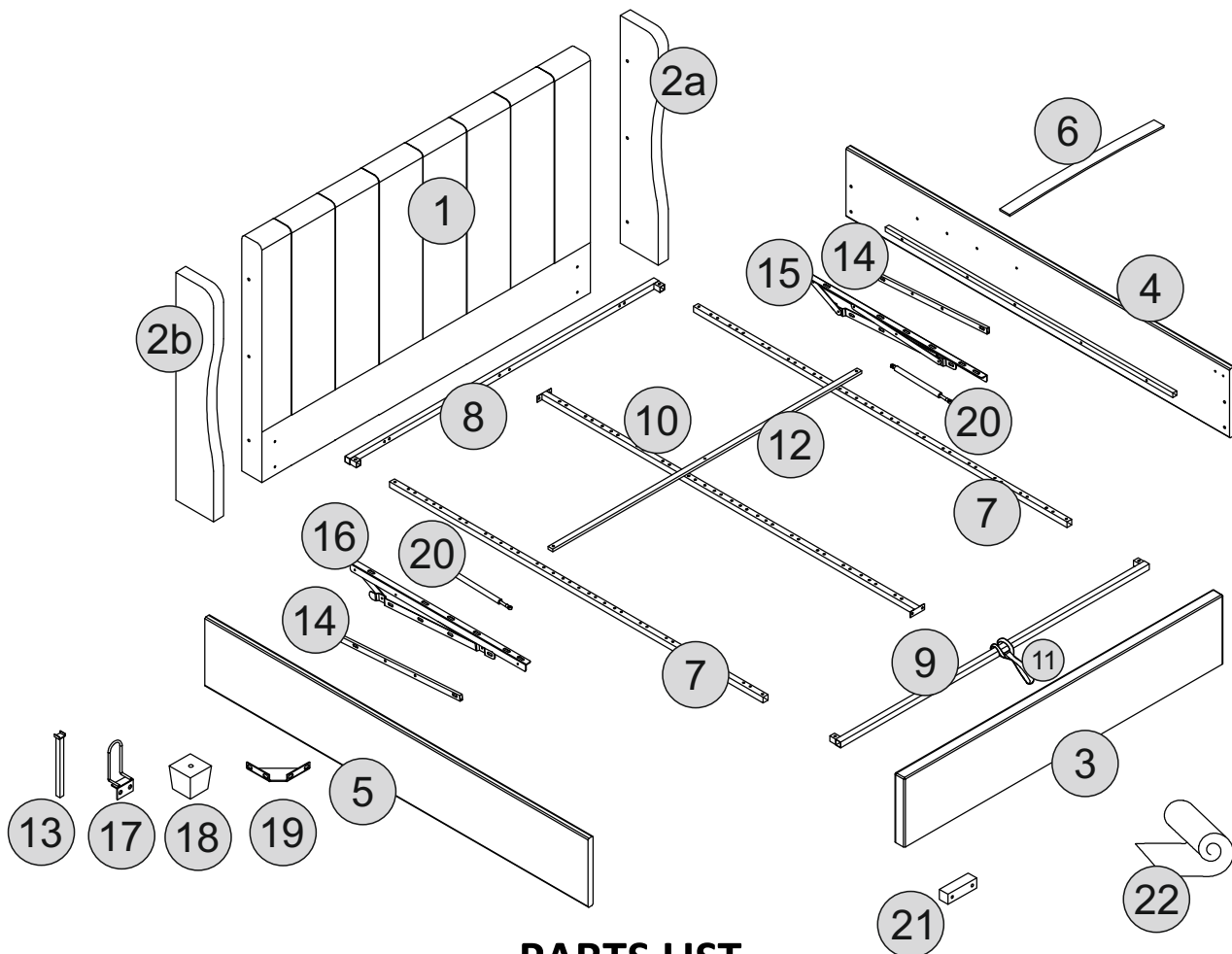


You must ensure the **MATTRESS** is on the bed frame before lifting the mechanism. Always use the handle to open and close the ottoman. **FAILURE TO DO SO MAY RESULT IN INJURY.**



Initially it might appear that the gas lifts are very stiff when opening and closing the ottoman frame, **THIS IS NORMAL.**

After operating the ottoman a few times, the movement of the gas lifts and the opening and closing of the ottoman will become easier.



PARTS LIST





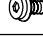


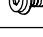
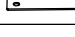


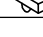

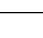
Carton 1 of 2

Part Number	Part Code	Part Description	Quantity	Carton
1	S200-204-038-FJ1-01	Headboard	1	1/2
2a	S200-204-038-FJ1-2a	Left Wing	1	1/2
2b	S200-204-038-FJ1-2b	Right Wing	1	1/2
3	S200-204-038-FJ1-03	Footboard	1	1/2
6	S200-204-038-FJ1-06	Wooden Slat	28	1/2
11	S200-204-038-FJ1-11	Base Lift Strap	1	1/2
13	S200-204-038-FJ1-13	Centre Support Leg	2	1/2
15	S200-204-038-FJ1-15	Left Hinge	1	1/2
16	S200-204-038-FJ1-16	Right Hinge	1	1/2
17	S200-204-038-FJ1-17	Mattress Support	2	1/2
18	S200-204-038-FJ1-18	Wooden Feet	4	1/2
19	S200-204-038-FJ1-19	Corner Bracket	2	1/2
20	S200-204-038-FJ1-20	Gas Lift	2	1/2
21	S200-204-038-FJ1-21	Base Support Bar	1	1/2
22	S200-204-038-FJ1-22	Velcro Base Sheet	1	1/2

Carton 2 of 2

4	S200-204-038-FJ1-04	Left Side Rail	1	2/2
5	S200-204-038-FJ1-05	Right Side Rail	1	2/2
7	S200-204-038-FJ1-07	Base Side Bar	2	2/2
8	S200-204-038-FJ1-08	Base Front Bar	1	2/2
9	S200-204-038-FJ1-09	Base Back Bar	1	2/2
10	S200-204-038-FJ1-10	Base Centre Bar	1	2/2
12	S200-204-038-FJ1-12	Centre Cross Bar	1	2/2
14	S200-204-038-FJ1-14	Hinge Support Rail	2	2/2

HARDWARE LIST

No	Part Name		Qty	Carton
A	M8 x 18mm Bolt		x36	1/2
B	M8 x 25mm Bolt		x3	1/2
C	M6 x 25mm Bolt		x8	1/2
D	M8 x40mm Bolt		x8	1/2
E	M8 x45mm Bolt		x8	1/2
F	Nut		x6	1/2
G	Spanner		x1	1/2
H	M8 x50mm Bolt		x4	1/2
I	Bracket		x2	1/2
J	Bracket		x2	1/2
K	Plastic Centre Cap		x14	1/2
L	Plastic End Cap		x28	1/2
M	M5 Allen Key		x1	1/2
N	M4 Allen Key		x1	1/2

PLEASE CHECK THAT YOU HAVE ALL THE PARTS LISTED BEFORE YOU START ASSEMBLING. IF YOU DO FIND THAT SOMETHING IS MISSING,DO NOT CONTINUE ASSEMBLY. PLEASE CONTACT YOUR SUPPLIER IMMEDIATELY.

STEP 1

PARTS REQUIRED

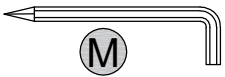
1 - HEADBOARD x1

18 - WOODEN FEET x2

HARDWARE REQUIRED

H  02
M8x50mm

TOOLS REQUIRED



M8x50mm



M8x45mm



M8x40mm



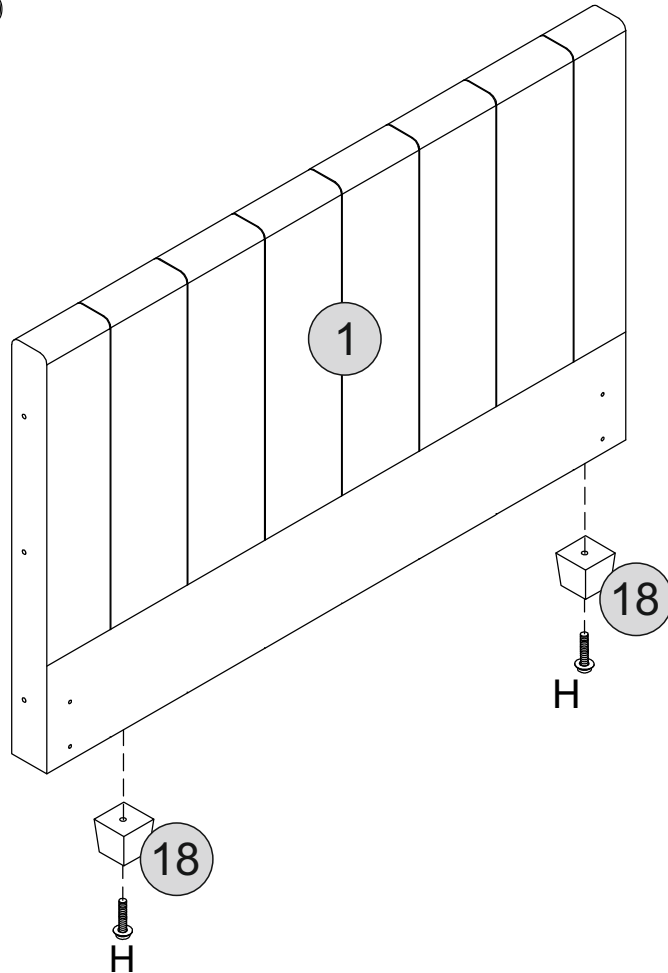
M8x25mm



M6x25mm



M8x18mm



STEP 2

PARTS REQUIRED

3 - FOOTBOARD x1

18 - WOODEN FEET x2

HARDWARE REQUIRED

H  02
M8x50mm

TOOLS REQUIRED



M8x50mm



M8x45mm



M8x40mm



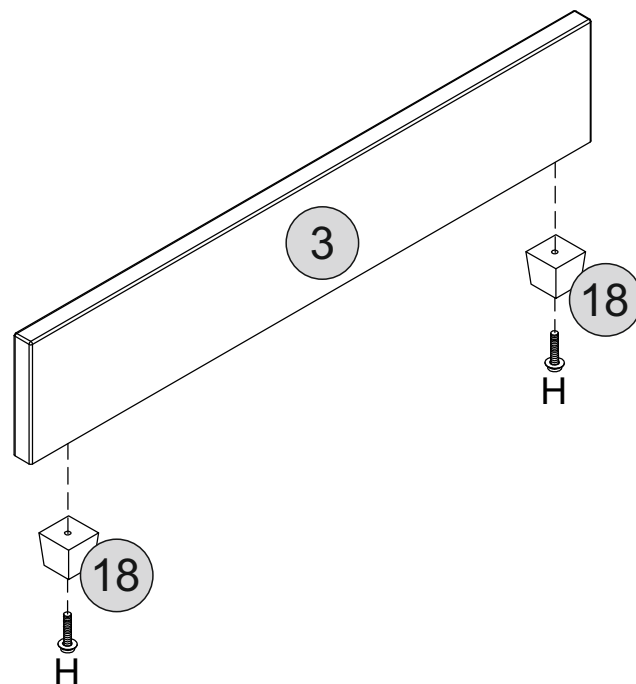
M8x25mm



M6x25mm



M8x18mm

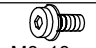
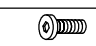

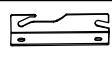


STEP 3

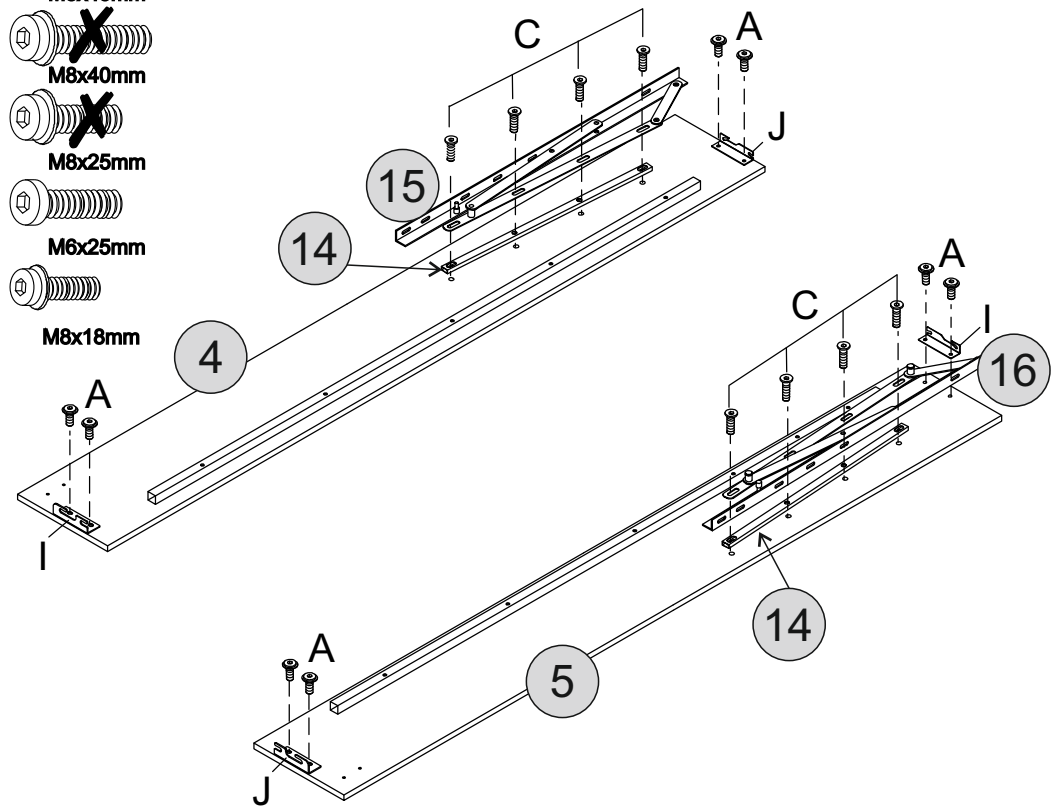
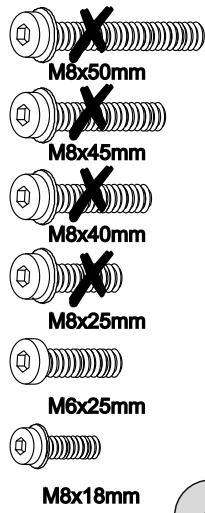
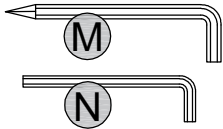
PARTS REQUIRED

4 - LEFT SIDE RAIL	x1
5 - RIGHT SIDE RAIL	x1
14 - HINGE SUPPORT RAIL	x2
15 - LEFT HINGE	x1
16 - RIGHT HINGE	x1

HARDWARE REQUIRED

A		08
C		08
I		02
J		02

TOOLS REQUIRED



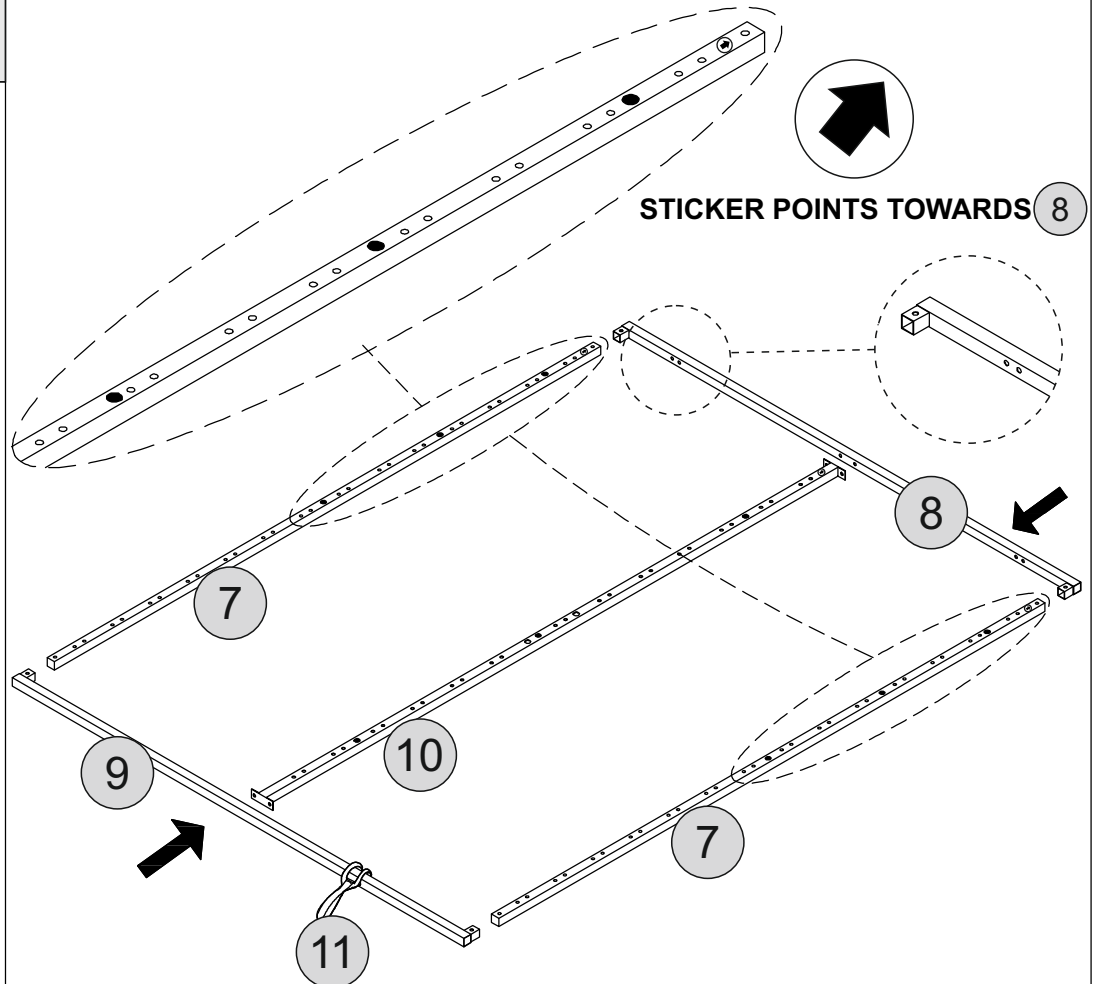
STEP 4

PARTS REQUIRED

7 - BASE SIDE BAR	x2
8 - BASE FRONT BAR	x1
9 - BASE BACK BAR	x1
10 - BASE CENTRE BAR	x1
11 - BASE LIFT STRAP	x1

HARDWARE REQUIRED

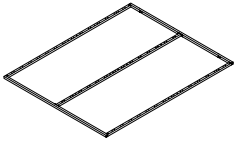
TOOLS REQUIRED



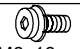
STEP 5

PARTS REQUIRED

17 - MATTRESS SUPPORT x2









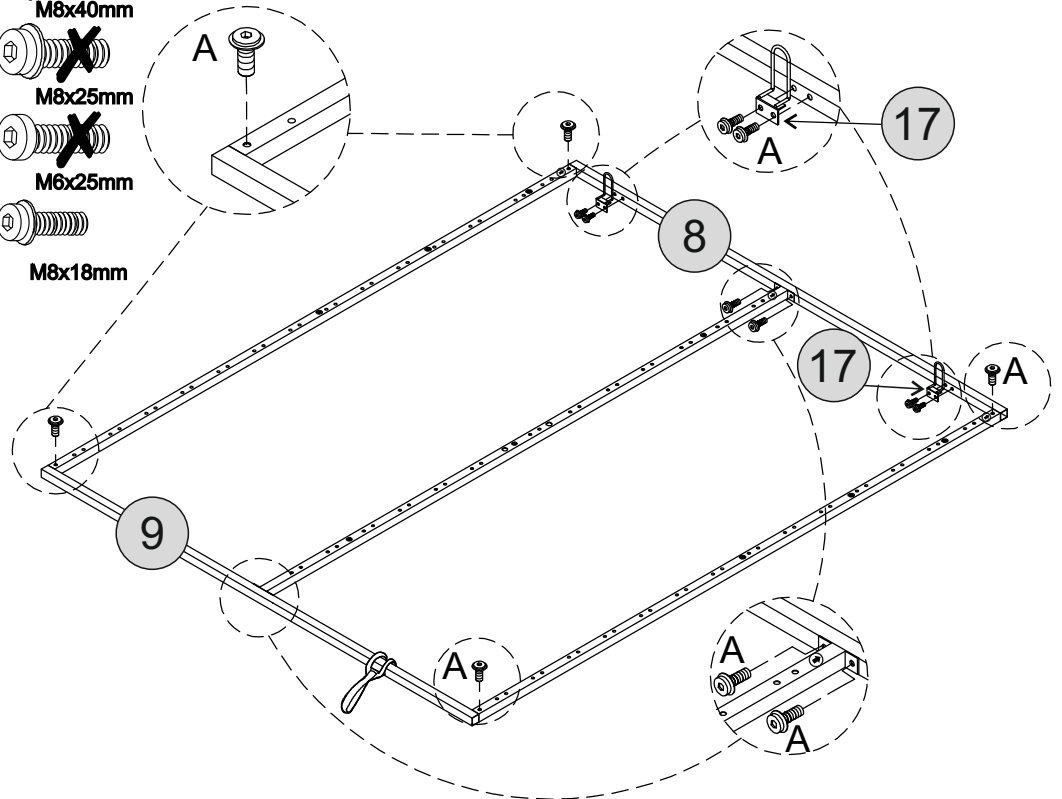
HARDWARE REQUIRED

A  12
M8x18mm

TOOLS REQUIRED



-  ~~M8x50mm~~
-  ~~M8x45mm~~
-  ~~M8x40mm~~
-  ~~M8x25mm~~
-  ~~M6x25mm~~
-  M8x18mm



STEP 6

PARTS REQUIRED

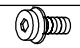
1 - HEADBOARD x1

3 - FOOTBOARD x1

4 - LEFT SIDE RAIL x1







5 - RIGHT SIDE RAIL x1

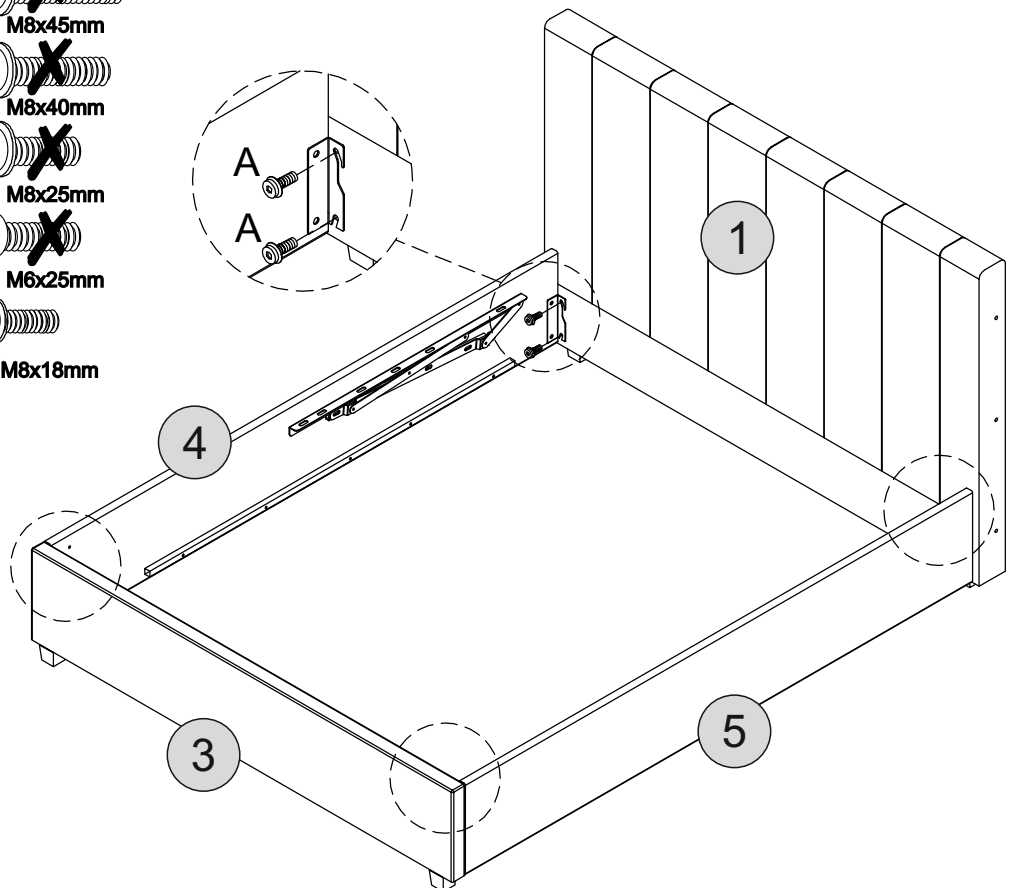
HARDWARE REQUIRED

A  08
M8x18mm

TOOLS REQUIRED



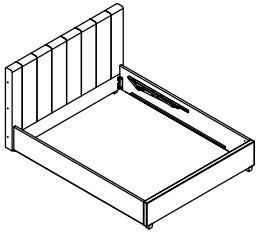
-  ~~M8x50mm~~
-  ~~M8x45mm~~
-  ~~M8x40mm~~
-  ~~M8x25mm~~
-  ~~M6x25mm~~
-  M8x18mm



STEP 7

PARTS REQUIRED

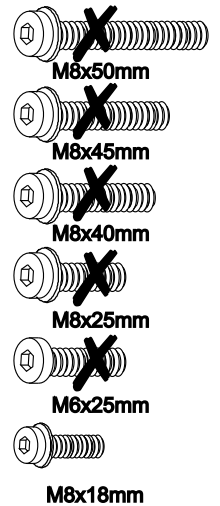
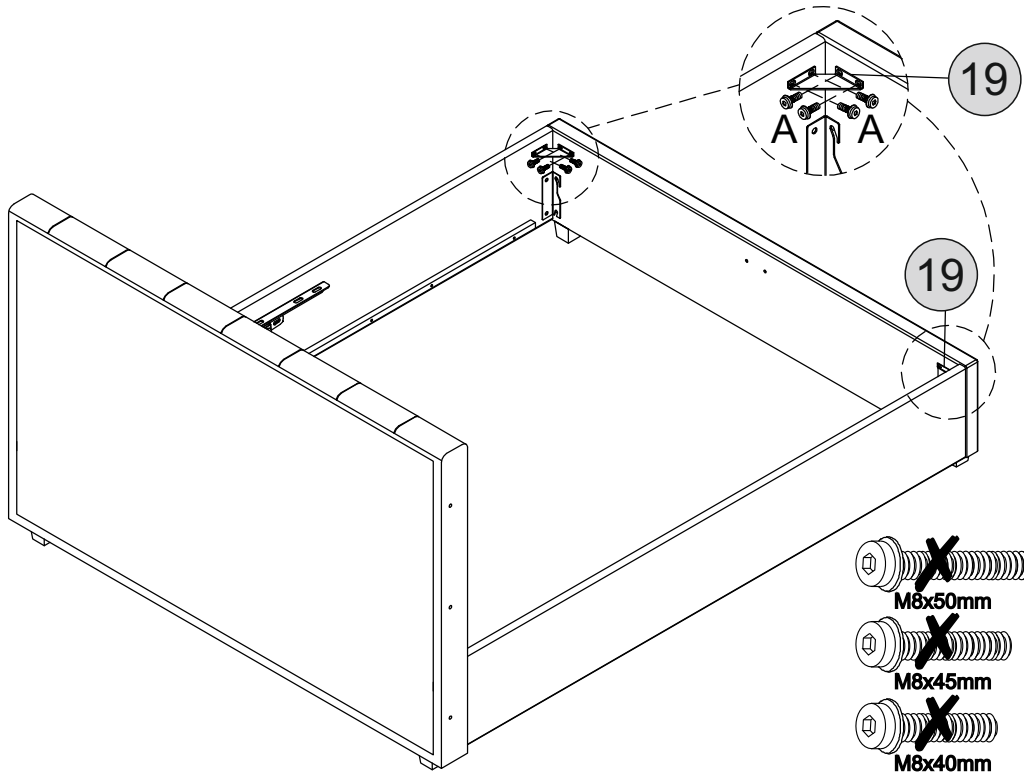
19 - CORNER BRACKET x2



HARDWARE REQUIRED

A  08
M8x18mm

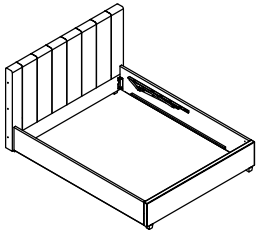
TOOLS REQUIRED



STEP 8

PARTS REQUIRED

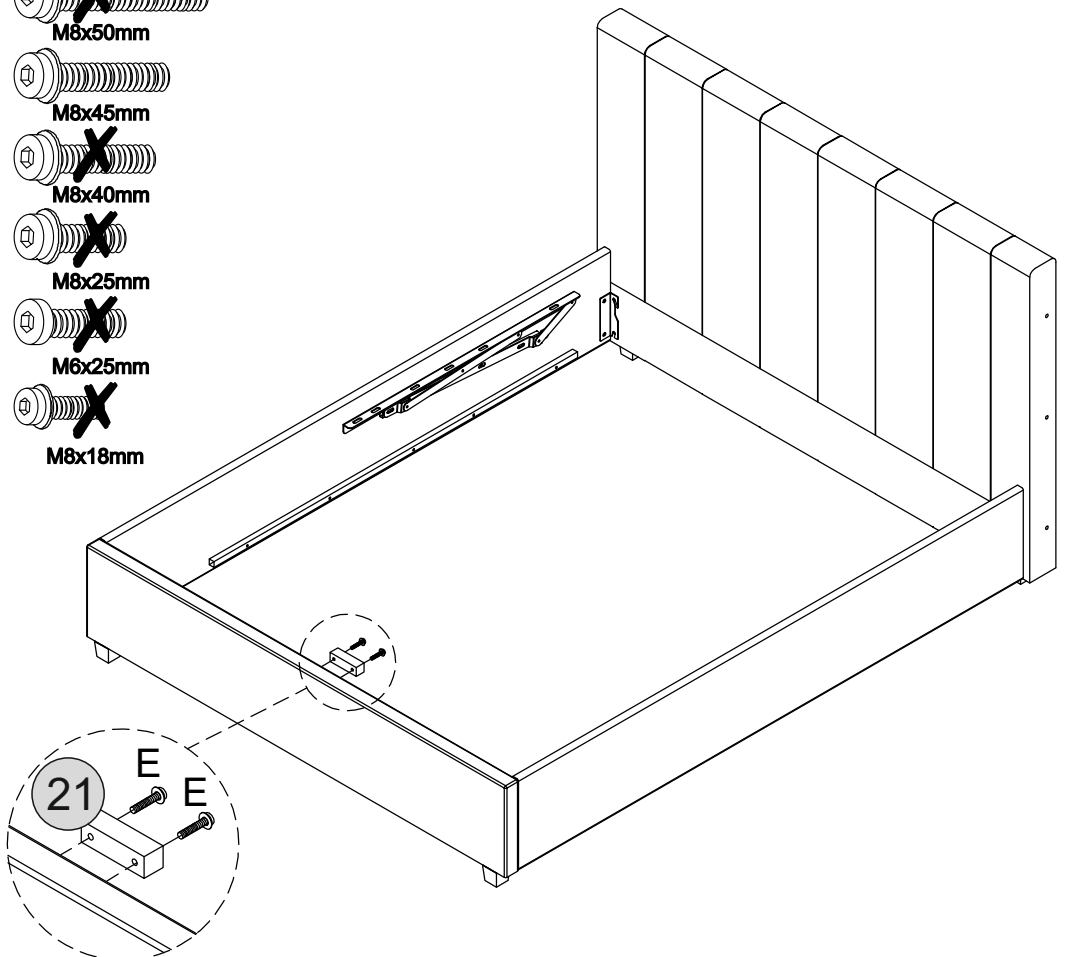
21 - BASE SUPPORT BAR x1



HARDWARE REQUIRED

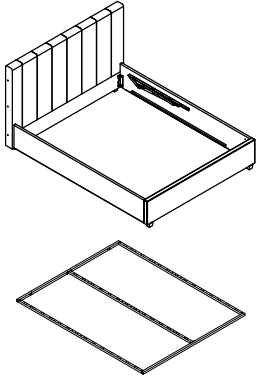
E  02
M8x45mm

TOOLS REQUIRED



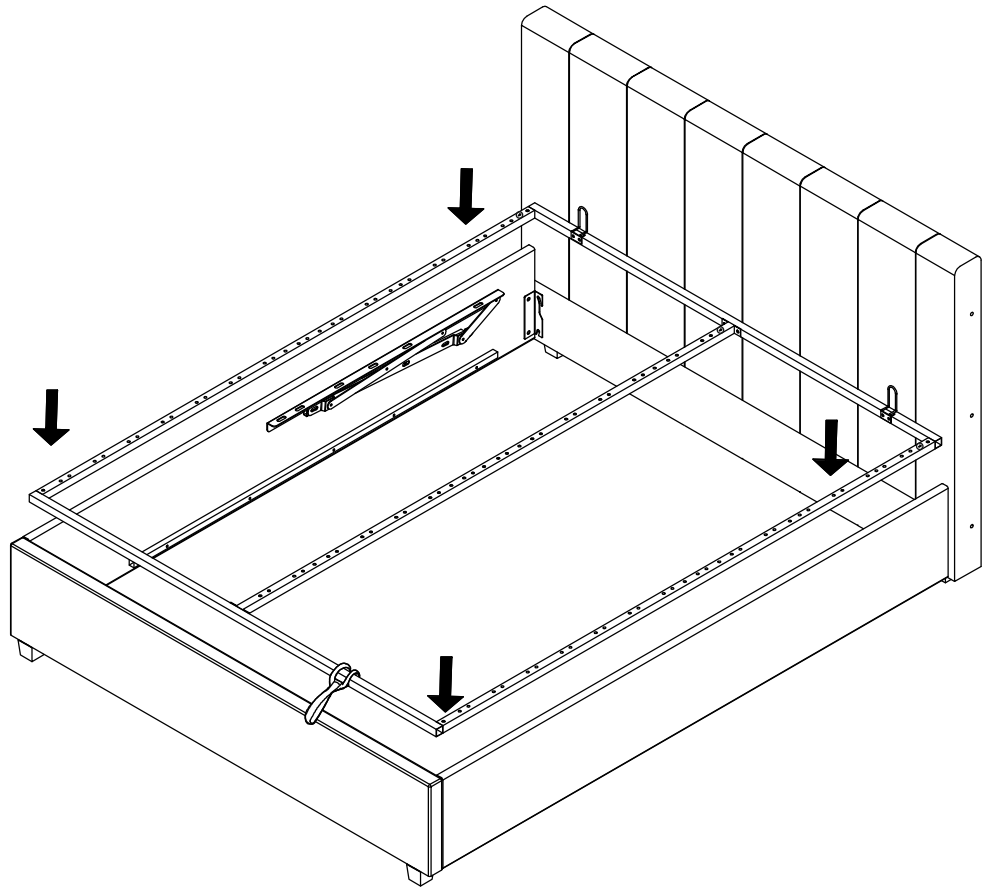
STEP 9

PARTS REQUIRED



HARDWARE REQUIRED

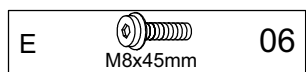
TOOLS REQUIRED



STEP 10

PARTS REQUIRED

HARDWARE REQUIRED



TOOLS REQUIRED



M8x50mm



M8x45mm



M8x40mm



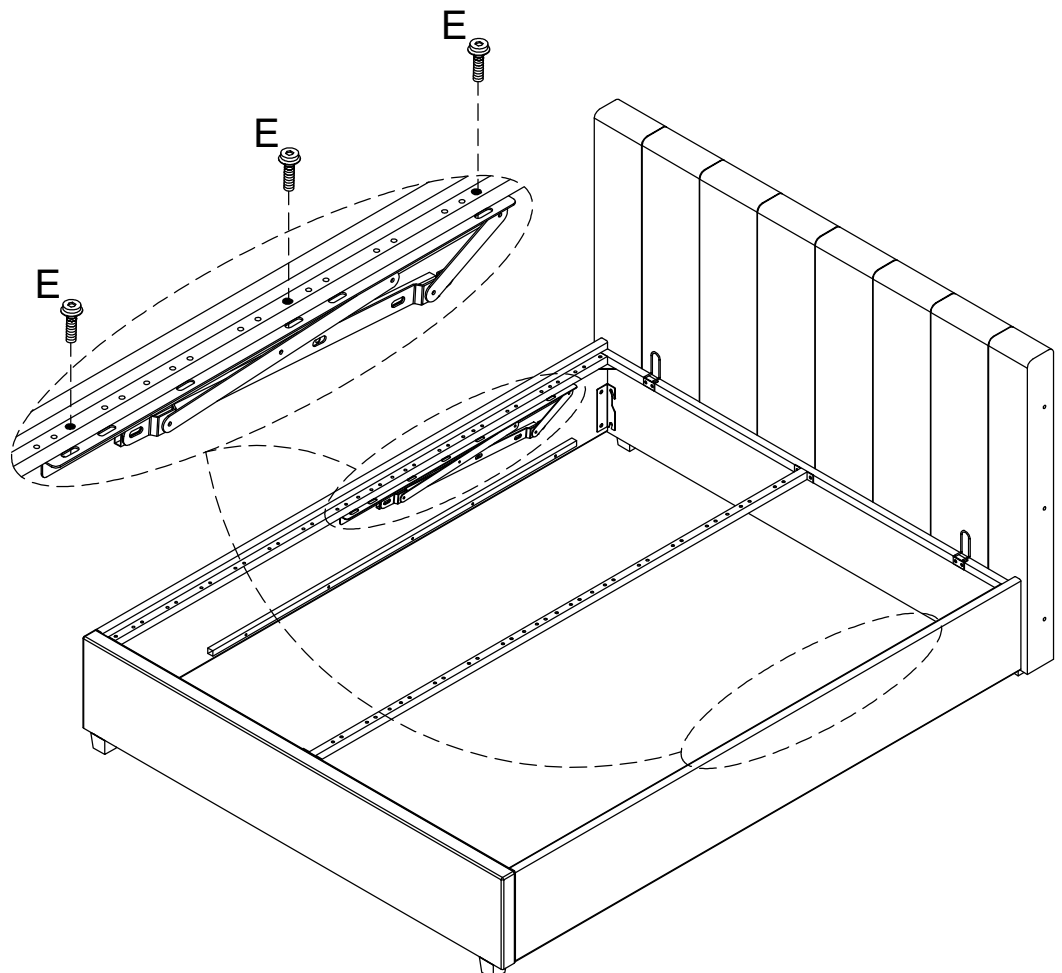
M8x25mm



M6x25mm

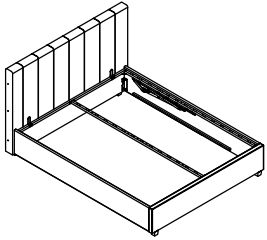


M8x18mm



STEP 11

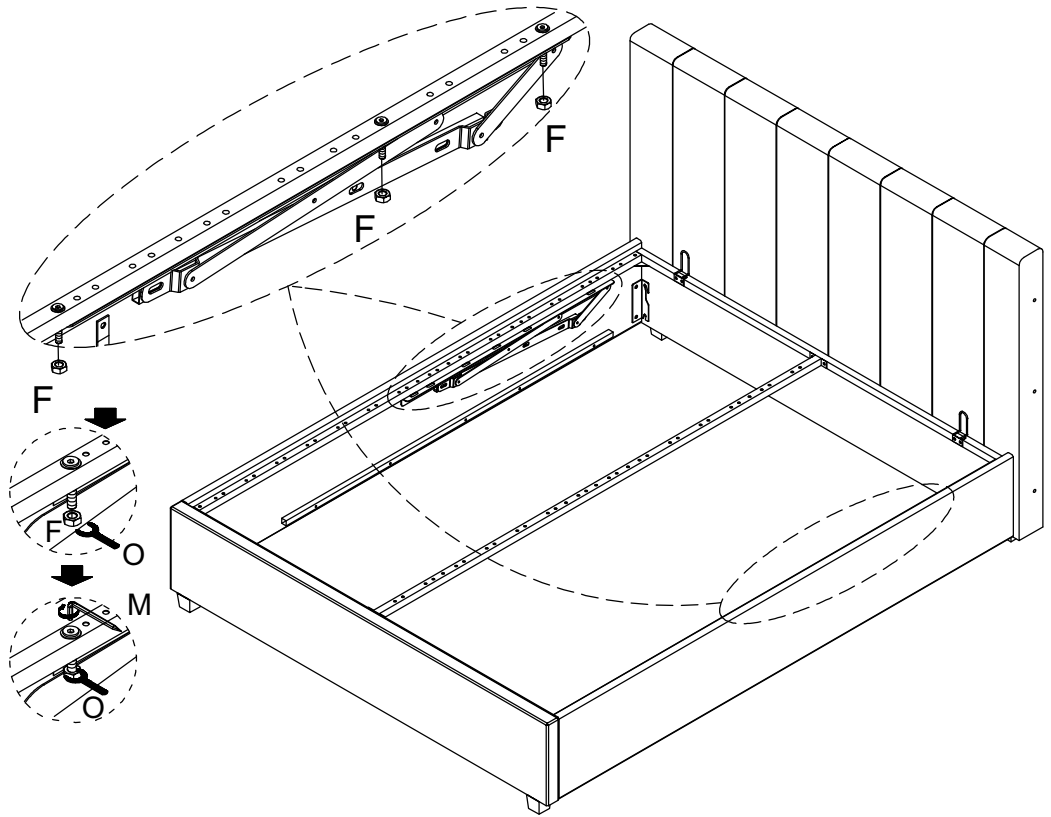
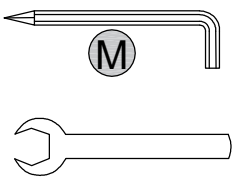
PARTS REQUIRED



HARDWARE REQUIRED

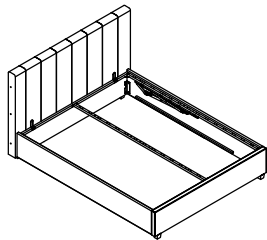


TOOLS REQUIRED



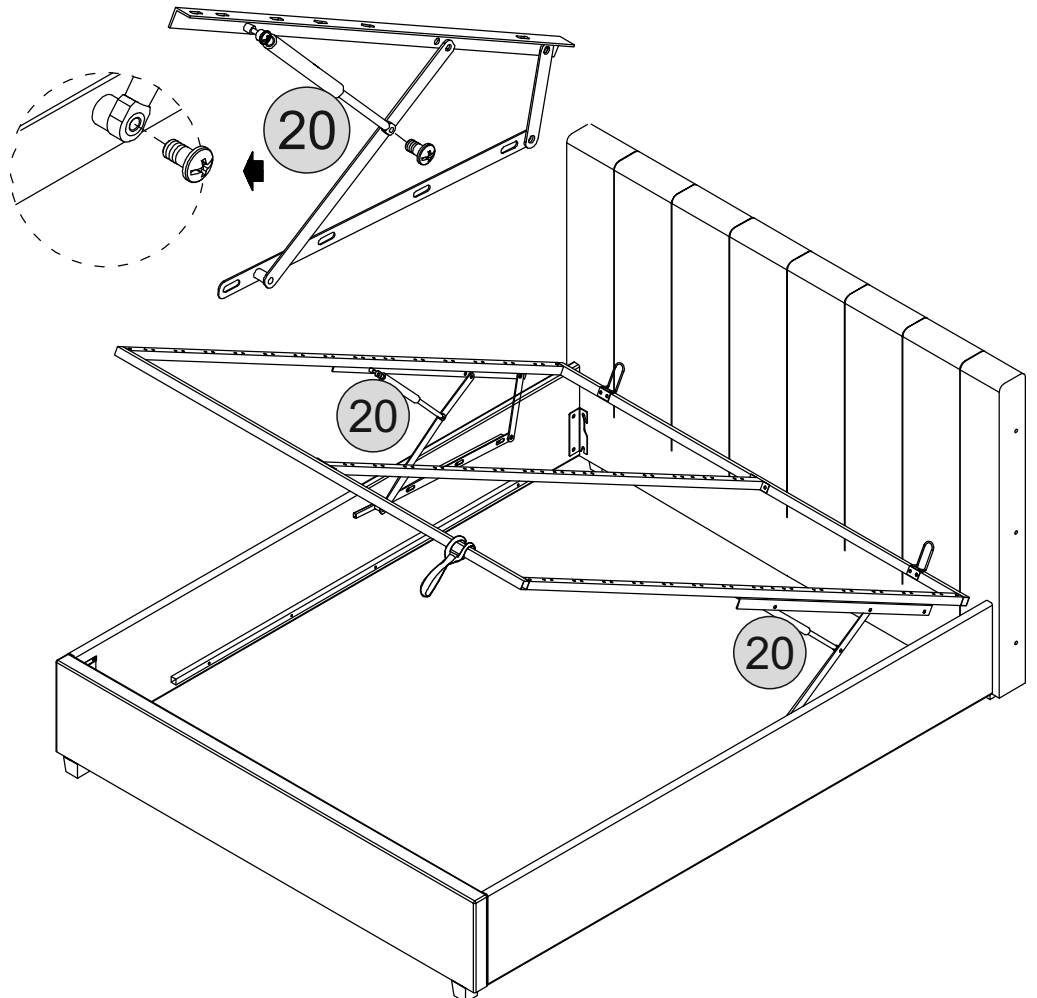
STEP 12

PARTS REQUIRED



HARDWARE REQUIRED

TOOLS REQUIRED

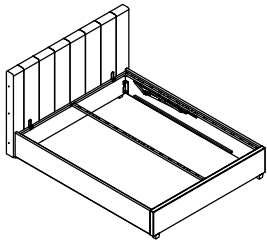


STEP 13

PARTS REQUIRED

12 - CENTRE CROSS BAR x1

13 - CENTRE SUPPORT LEG x2

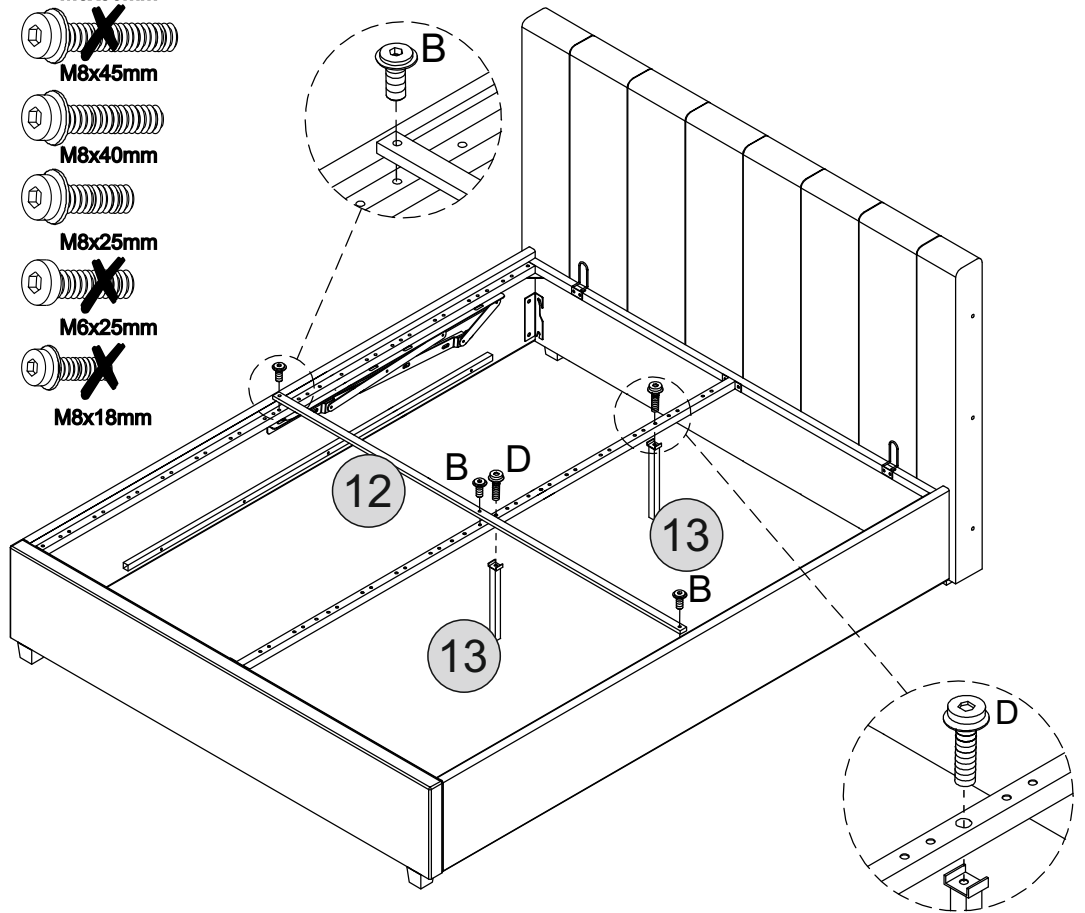
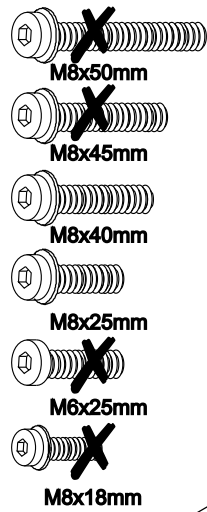


HARDWARE REQUIRED

B  03
M8x25mm

D  02
M8x40mm

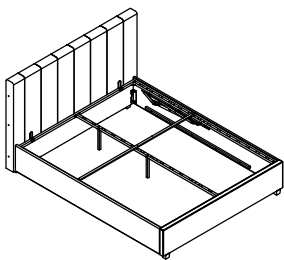
TOOLS REQUIRED



STEP 14

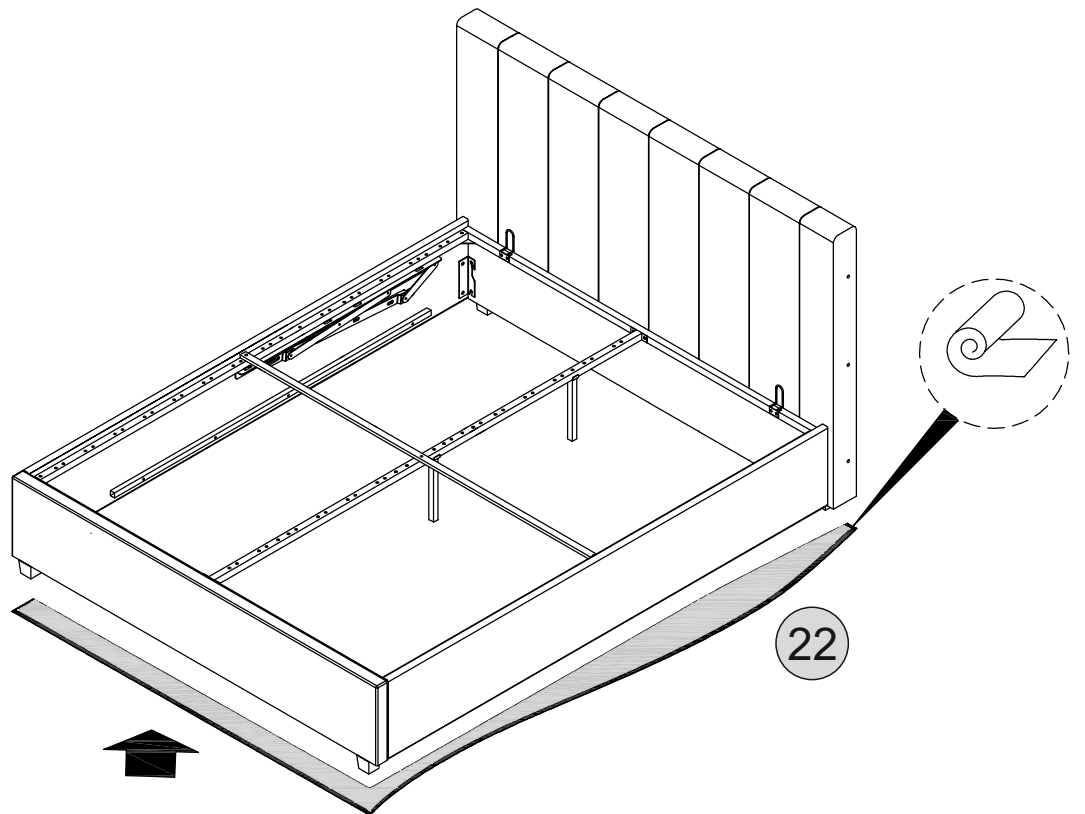
PARTS REQUIRED

22 - VELCRO BASE SHEET x1



HARDWARE REQUIRED

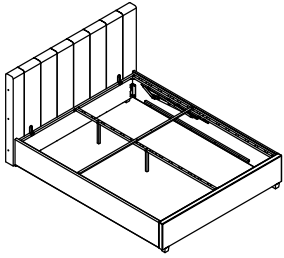
TOOLS REQUIRED



STEP 15

PARTS REQUIRED

6 - WOODEN SLAT x26

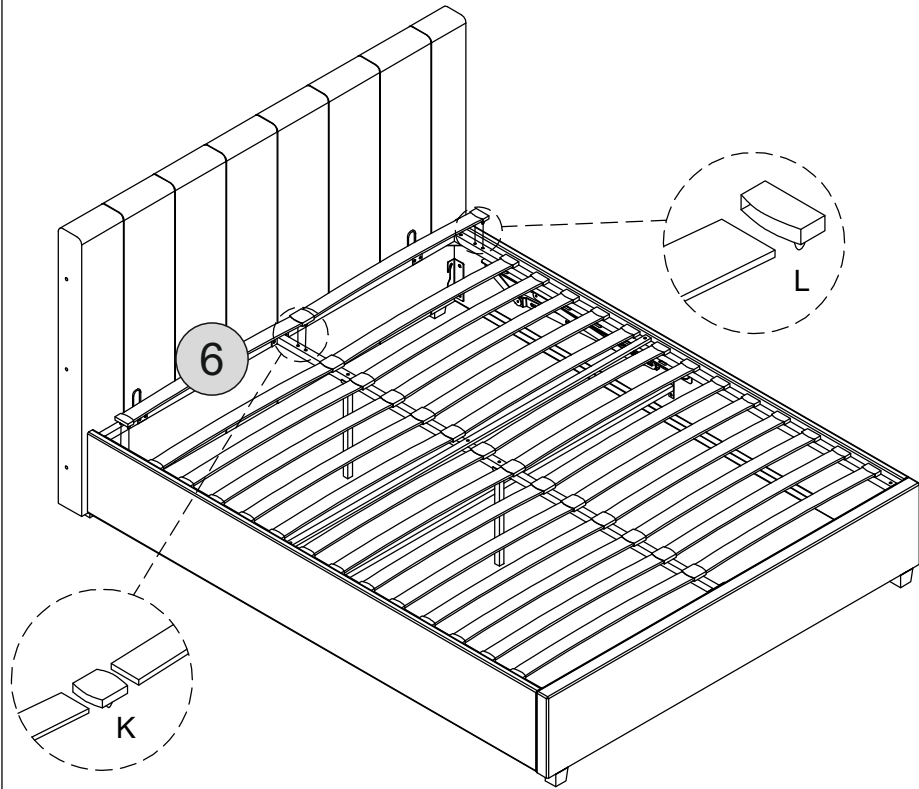


HARDWARE REQUIRED

K  13

L  26

TOOLS REQUIRED



STEP 16

PARTS REQUIRED

2a - LEFT WING x1

2b - RIGHT WING x1

HARDWARE REQUIRED

D  06
M8x40mm

TOOLS REQUIRED



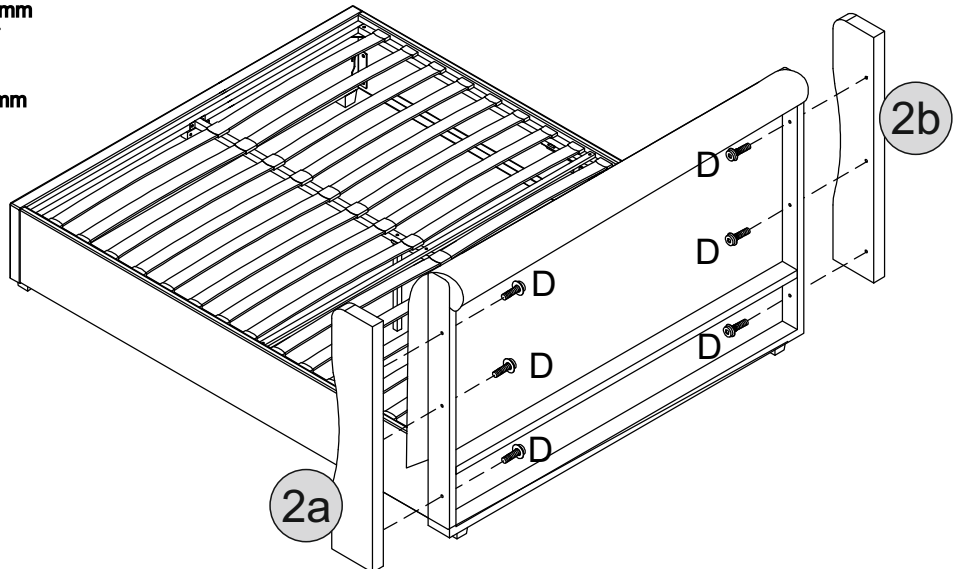
- ~~M8x50mm~~
- ~~M8x45mm~~
- M8x40mm
- ~~M8x25mm~~
- ~~M6x25mm~~
- ~~M8x18mm~~



220KG
MAX BED
WEIGHT



45KG
MAX MATTRESS
WEIGHT



INFORMATIONS IMPORTANTES (FRENCH)**IMPORTANTE
POUR USAGE DOMESTIQUE UNIQUEMENT
VEUILLEZ LIRE AVANT DE CONTINUER**

Le produit que vous avez acheté vous offrira de nombreuses années de service si vous suivez les directives pour son assemblage sûr et son entretien et nettoyage périodiques.

Montez sur une surface douce et propre.

N'utilisez aucun autre outil que ceux indiqués.

Toutes les clés ou clés Allen nécessaires sont fournies avec le kit de fixation.

N'utilisez en aucun cas un outil électrique pour assembler ce produit.

Son utilisation invalidera et pourrait rendre ce produit dangereux.

En fonction de la quantité d'utilisation de ce produit, il peut être nécessaire de resserrer les fixations de temps en temps. Cela est tout à fait normal pour tout meuble en kit.

Pour le nettoyage, vous pouvez utiliser un chiffon humide (pas mouillé).

N'utilisez pas de détergent à polir ou de nettoyeurs chimiques.

Ce produit peut tacher ou marquer s'il entre en contact avec des objets mouillés ou humides.

La surface de cet article n'est pas résistante à la chaleur, utilisez toujours un set de table sous les articles chauds ou froids pour éviter les marques.

INFORMACIÓN IMPORTANTE (SPANISH)**IMPORTANTE
SOLO PARA USO DOMÉSTICO
LEER ANTES DE CONTINUAR**

El producto que ha adquirido le brindará muchos años de servicio si sigue las pautas para su montaje seguro y su mantenimiento y limpieza periódicos.

Ensamble sobre una superficie suave y limpia.

No utilice ninguna herramienta que no sea la que se muestra.

Las llaves inglesas o llaves Allen necesarias están incluidas con el kit de accesorios.

No utilice bajo ningún concepto una herramienta eléctrica para ensamblar este producto. Su uso invalidará cualquier reclamación que pueda tener y podría hacer que este producto sea inseguro.

Dependiendo de la cantidad de uso que reciba este producto, puede ser necesario ajustar las fijaciones de vez en cuando. Esto es completamente normal en cualquier mueble de paquete plano.

Para la limpieza, puede utilizar un paño húmedo (no mojado). No utilice detergentes abrillantadores ni limpiadores químicos.

Este producto puede mancharse o marcarse si se deja en contacto con objetos mojados o húmedos.

La superficie de este artículo no es resistente al calor, utilice siempre un mantel individual debajo de los elementos calientes o fríos para evitar marcas.

WICHTIGE INFORMATIONEN (GERMAN)**WICHTIG!
FÜR DEN HAUSHALTSGEBRAUCH
BITTE LESEN SIE, BEVOR SIE FORTFAHREN**

Das von Ihnen erworbene Produkt wird Ihnen viele Jahre lang gute Dienste leisten, wenn Sie die Richtlinien für eine sichere Montage und regelmäßige Wartung und Reinigung befolgen.

Auf einer weichen, sauberen Oberfläche montieren.

Verwenden Sie keine anderen Werkzeuge als die abgebildeten.

Alle benötigten Schraubenschlüssel oder Inbusschlüssel sind im Montagesatz enthalten.

Verwenden Sie unter keinen Umständen ein Elektrowerkzeug zur Montage dieses Produkts. Bei Verwendung erlischt Ihr Anspruch und das Produkt kann unsicher werden.

Je nach Nutzungsintensität des Produkts kann es von Zeit zu Zeit erforderlich sein, die Befestigungen festzuziehen. Dies ist bei Möbeln aus dem Bausatz völlig normal.

Zum Reinigen können Sie ein feuchtes Tuch verwenden (nicht nass).

Verwenden Sie kein Poliermittel oder chemische Reinigungsmittel.

Dieses Produkt kann Flecken oder Abdrücke hinterlassen, wenn es mit nassen oder feuchten Gegenständen in Kontakt kommt.

Die Oberfläche dieses Artikels ist nicht hitzebeständig. Verwenden Sie immer eine Unterlage unter heißen oder kalten Gegenständen, um Abdrücke zu vermeiden.

INFORMAZIONI IMPORTANTI (ITALIAN)**IMPORTANTE, SOLO PER USO DOMESTICO
SI PREGA DI LEGGERE PRIMA DI
CONTINUARE OLTRE**

Il prodotto che hai acquistato ti garantirà molti anni di servizio se seguirai le linee guida per il suo montaggio sicuro e la manutenzione e pulizia periodiche.

Montare su una superficie morbida e pulita.

Non utilizzare utensili diversi da quelli mostrati.

Tutte le chiavi inglesi o le chiavi a brugola necessarie sono incluse nel kit di raccordi.

Non utilizzare per nessun motivo un elettrostrumento per montare questo prodotto. Il suo utilizzo invaliderà e affermerà che potresti avere e potrebbe rendere questo prodotto non sicuro.

A seconda della quantità di utilizzo di questo prodotto, potrebbe essere necessario stringere i fissaggi di tanto in tanto. Ciò è del tutto normale per qualsiasi mobile in kit.

Per la pulizia, puoi utilizzare un panno umido (non bagnato). Non utilizzare detergenti lucidanti o detergenti chimici.

Questo prodotto potrebbe macchiare o segnare se lasciato entrare in contatto con oggetti bagnati o umidi.

La superficie di questo articolo non è resistente al calore, utilizzare sempre un sottopiatto sotto gli oggetti caldi o freddi per evitare segni.