

IMPORTANT PLEASE FOLLOW !

After unpacking the product, keep the original packaging in case you need to return it. Before starting assembly, check that all parts and hardware are included and in good condition. If anything is missing or damaged, contact the supplier or retailer. **Do not use** non-original parts, modify the item or use power tools as this will void the warranty. Study the instructions thoroughly and follow each step carefully before proceeding to the next.

MIAMI 2 DOOR 3 DRAWER SIDEBOARD OAK EFFECT/BLACK ASSEMBLY INSTRUCTIONS



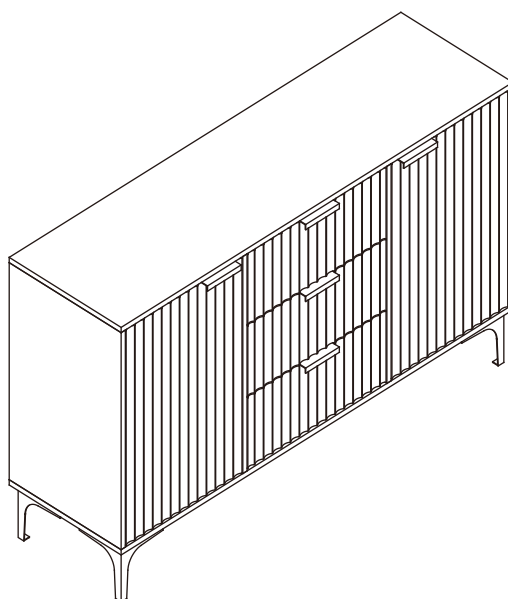
MAX TOP
WEIGHT



MAX SHELF
WEIGHT



MAX DRAWER
WEIGHT



**FOR DOMESTIC USE ONLY
FURNITURE CARE AND MAINTENANCE
PLEASE READ BEFORE YOU CONTINUE FURTHER**

Safety

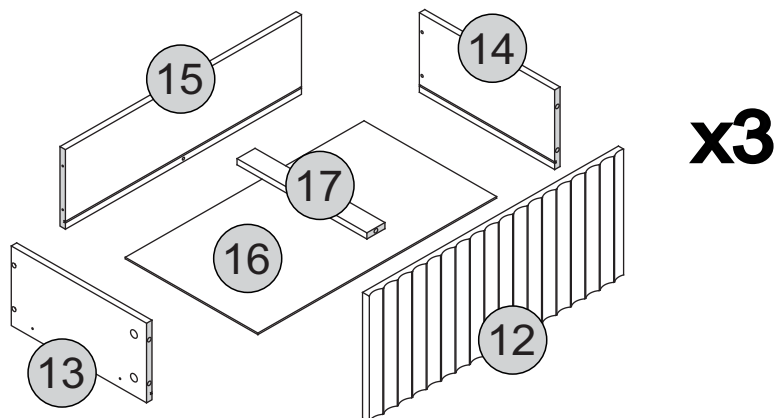
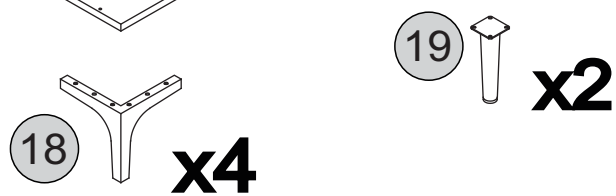
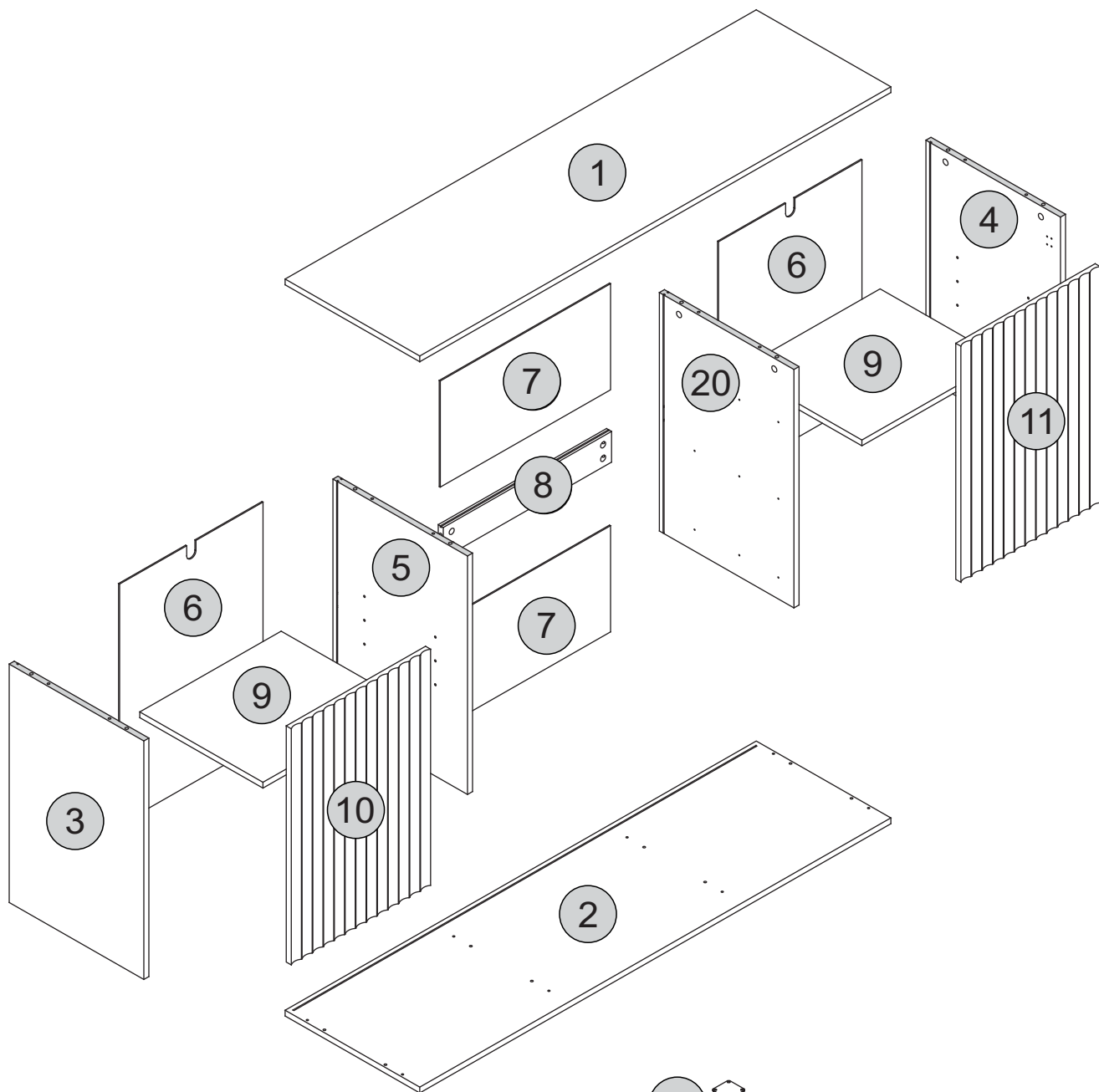
- Keep children away from the area during assembly for safety.
- Use a blanket or sheet on the floor during assembly to protect both the product and your flooring.
- Attach the Anti-Tip strap shown on the final step to the wall. This will prevent the item from tipping over and causing damage or serious injury.
- Follow all recommended weight limits as shown on the assembly instructions.

Care

- Avoid dragging or pushing the product, as this may damage the joints and weaken the structure.
- Avoid prolonged exposure to direct sunlight, which can cause fading, discolouration, or drying of natural wood.
- Maintain stable room temperature and humidity, as extreme heat, cold, or moisture may lead to warping, cracking, or swelling.
- Protect the surface from hot or cold items by using placemat's or coasters.
- Please avoid attaching anything sticky to the item, such as Sellotape, stickers, or similar materials, as this can damage the finish.
- Use felt pads under décor, lamps and accessories to prevent scratches.
- Clean spills immediately, blotting rather than rubbing to prevent spreading and surface damage.

Maintenance

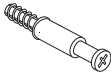
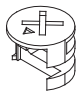

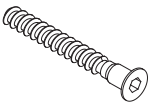
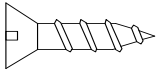

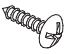
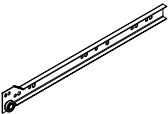
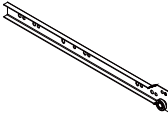
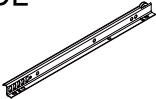
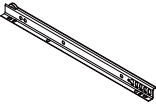
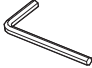
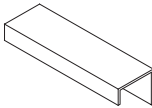
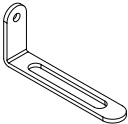



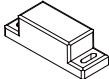

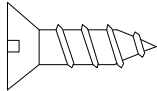

- Periodically tighten all fittings to ensure the furniture remains stable and secure.
- Use only a damp cloth followed by a dry cloth for routine cleaning - avoid detergents, solvents and chemical cleaner.



PART LIST

<u>Part Number</u>	<u>Part Code</u>	<u>Part Description</u>	<u>Quantity</u>	<u>Carton</u>
1	S400-405-058-FW1-01	Top Panel	1	2/2
2	S400-405-058-FW1-02	Bottom Panel	1	2/2
3	S400-405-058-FW1-03	Side Panel - Left	1	1/2
4	S400-405-058-FW1-04	Side Panel - Right	1	1/2
5	S400-405-058-FW1-05	Centre Panel - Left	1	1/2
6	S400-405-058-FW1-06	Back Panel (Large)	2	2/2
7	S400-405-058-FW1-07	Back Panel (Small)	2	2/2
8	S400-405-058-FW1-08	Crossbar	1	1/2
9	S400-405-058-FW1-09	Shelf Panel	2	2/2
10	S400-405-058-FW1-10	Door - Left	1	1/2
11	S400-405-058-FW1-11	Door - Right	1	1/2
12	S400-405-058-FW1-12	Drawer Front Panel	3	1/2
13	S400-405-058-FW1-13	Drawer Side Panel- Left	3	2/2
14	S400-405-058-FW1-14	Drawer Side Panel- Right	3	2/2
15	S400-405-058-FW1-15	Drawer Back Panel	3	2/2
16	S400-405-058-FW1-16	Drawer Bottom Panel	3	1/2
17	S400-405-058-FW1-17	Drawer Bottom Support	3	2/2
18	S400-405-058-FW1-18	Metal Leg	4	1/2
19	S400-405-058-FW1-19	Metal Leg Centre	2	1/2
20	S400-405-058-FW1-20	Centre Panel - Right	1	1/2

HARDWARE LIST



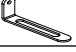

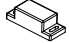
A  D6X30MM 27 pcs	B  D7X40MM 27 pcs	C  16 pcs	D  8 pcs	E  D3X12MM 42 pcs
F  D4X35MM 15 pcs	G  D4X14MM 26 pcs	CL  3 pcs	CR  3 pcs	DL  3 pcs
DR  3 pcs	L  1 pc	M  5 pcs	N  2 pcs	O  8 pcs
P  16 pcs	Q  D3X14MM 20 pc	R  2 pcs	S  4 pcs	T  D4X12MM 24 pcs
U  2 pcs				

STEP 1

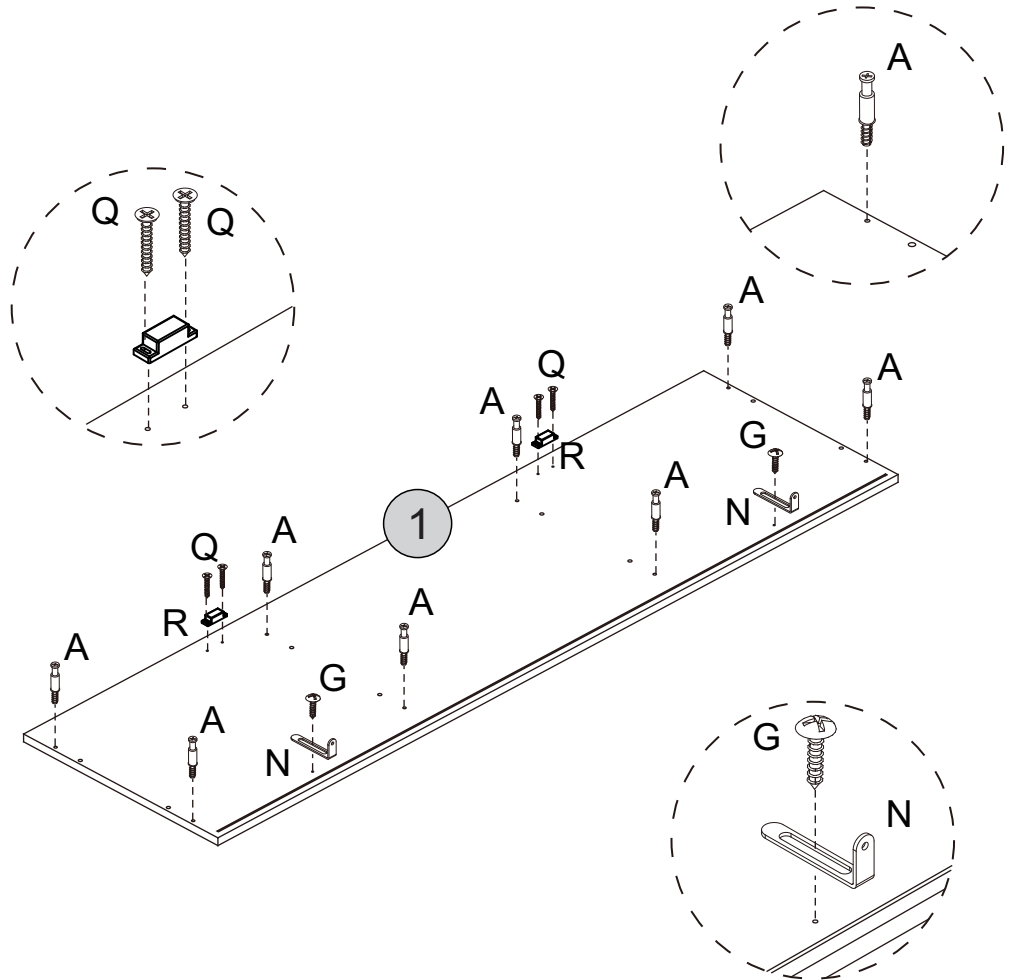
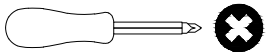
PARTS REQUIRED

1- TOP PANEL x1

HARDWARE REQUIRED

A		08
G		02
N		02
Q		04
R		02

TOOLS REQUIRED







STEP 2

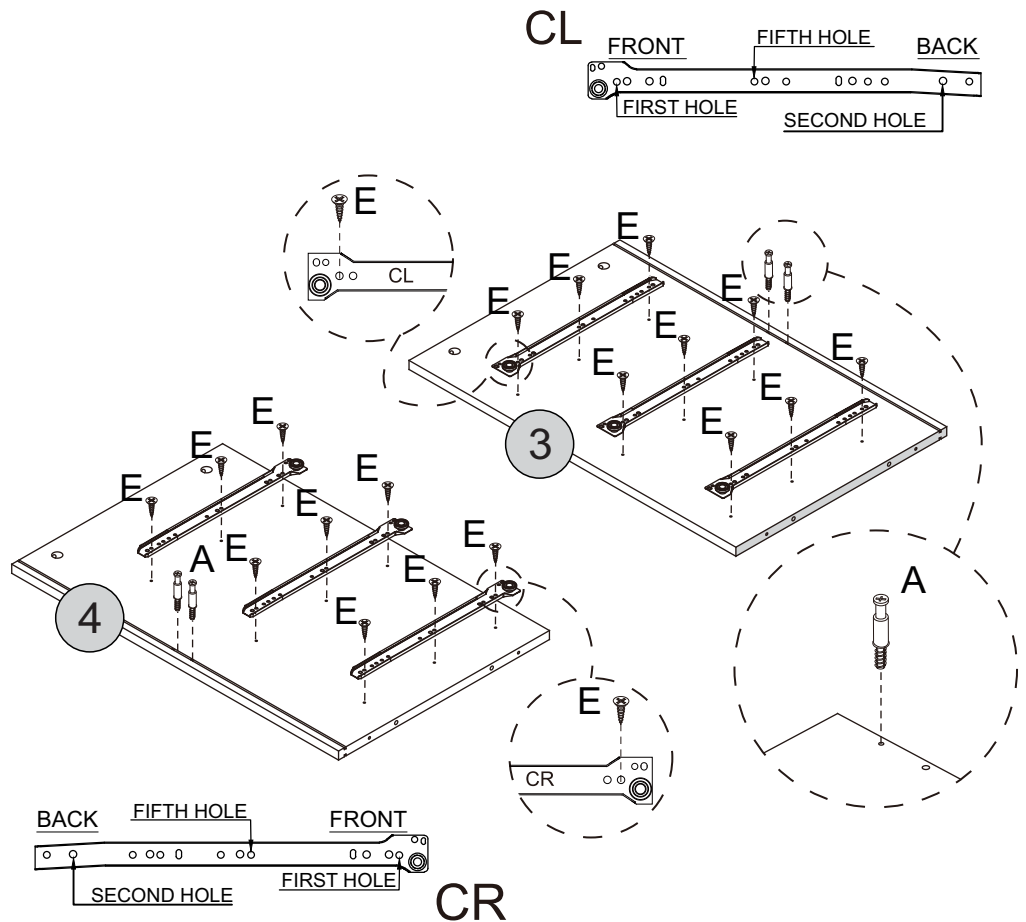
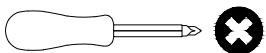
PARTS REQUIRED

3- SIDE PANEL - LEFT x1
4- SIDE PANEL - RIGHT x1

HARDWARE REQUIRED

A		04
E		18
CR		03
CL		03

TOOLS REQUIRED



STEP 3

PARTS REQUIRED

5- CENTRE PANEL - LEFT x1

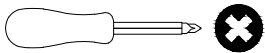
8- CROSSBAR x1

20- CENTRE PANEL - RIGHT x1

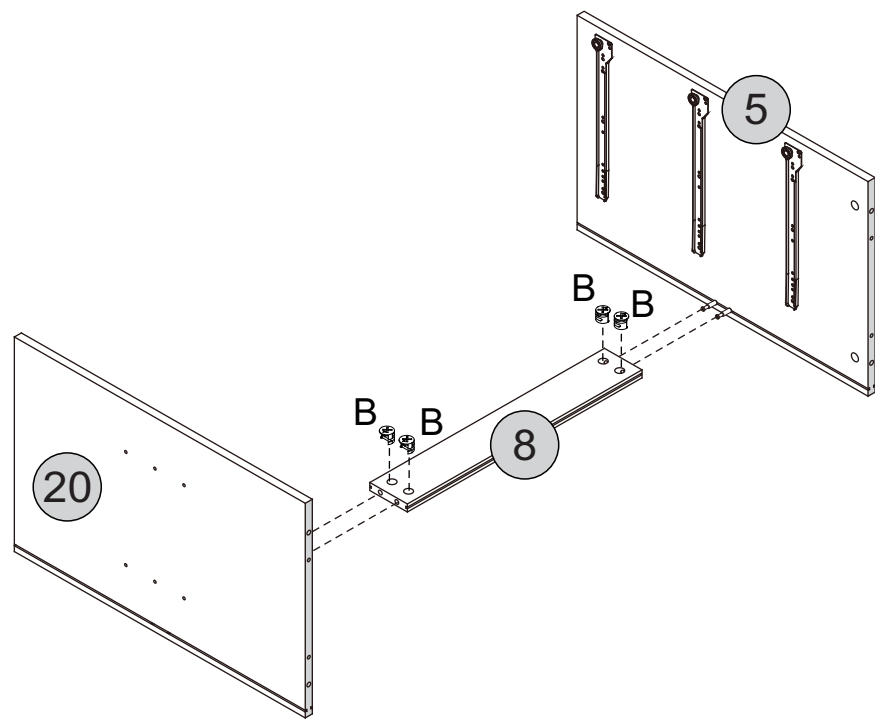
HARDWARE REQUIRED

B  04

TOOLS REQUIRED



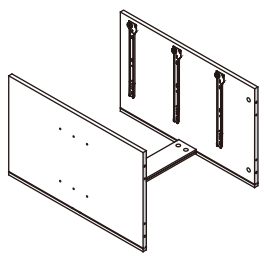
WHEN FITTING CAMS
 ENSURE STARTING POSITION IS CORRECT
 BEFORE YOU INSERT CONNECTING BOLT
 TURN CLOCKWISE UNTIL SECURE



STEP 4

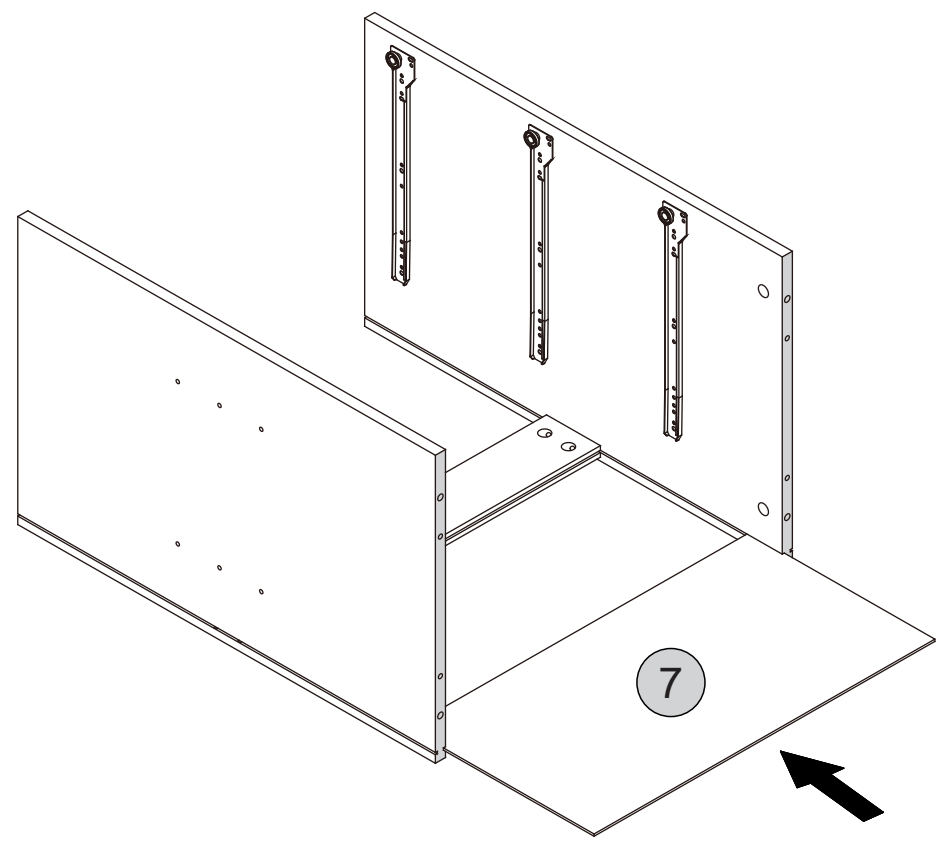
PARTS REQUIRED

7- BACK PANEL - SMALL x1



HARDWARE REQUIRED

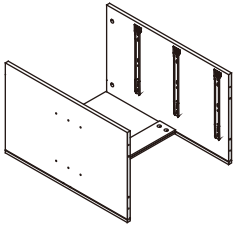
TOOLS REQUIRED



STEP 5

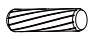
PARTS REQUIRED

1- TOP PANEL x1

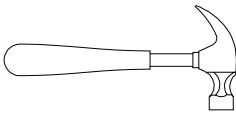
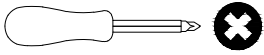


HARDWARE REQUIRED




B  04




C  04

TOOLS REQUIRED

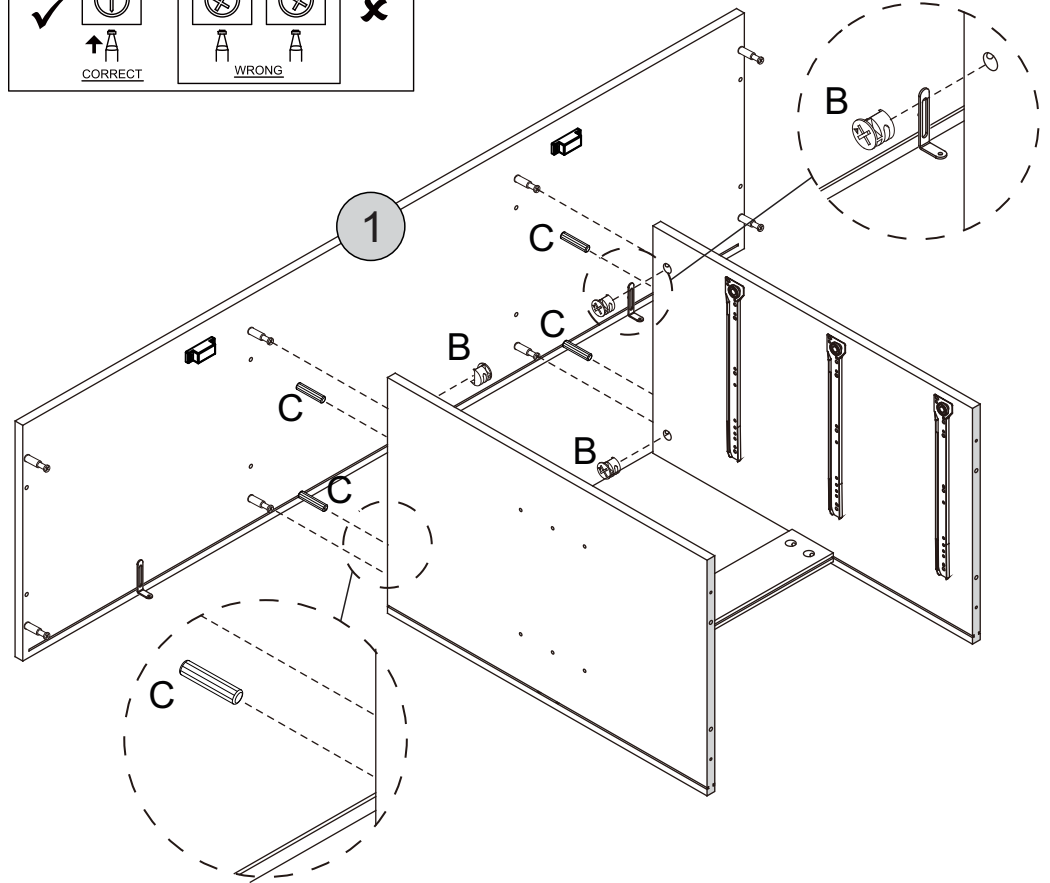


WHEN FITTING CAMS
ENSURE STARTING POSITION IS CORRECT
BEFORE YOU INSERT CONNECTING BOLT
TURN CLOCKWISE UNTIL SECURE

✓    ✗

↑   

CORRECT WRONG

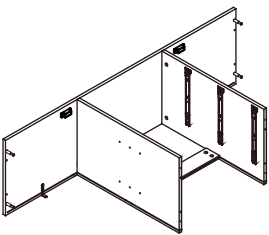


STEP 6


PARTS REQUIRED


3- SIDE PANEL - LEFT x1

4- SIDE PANEL - RIGHT x1

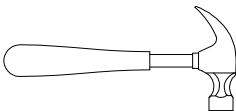
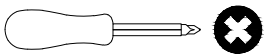


HARDWARE REQUIRED




B  04



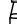
C  04

TOOLS REQUIRED

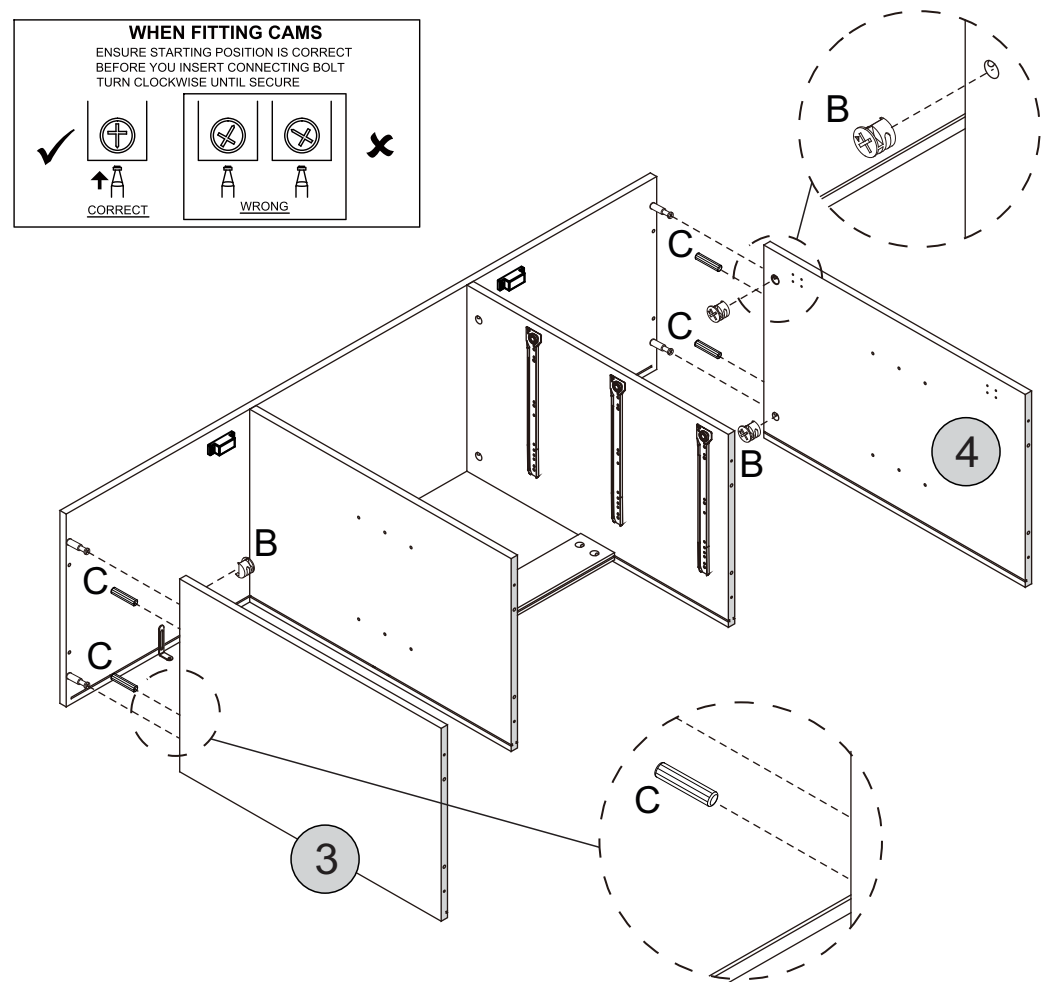


WHEN FITTING CAMS
ENSURE STARTING POSITION IS CORRECT
BEFORE YOU INSERT CONNECTING BOLT
TURN CLOCKWISE UNTIL SECURE

✓    ✗

↑   

CORRECT WRONG

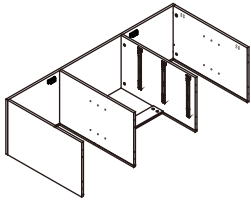


STEP 7

PARTS REQUIRED

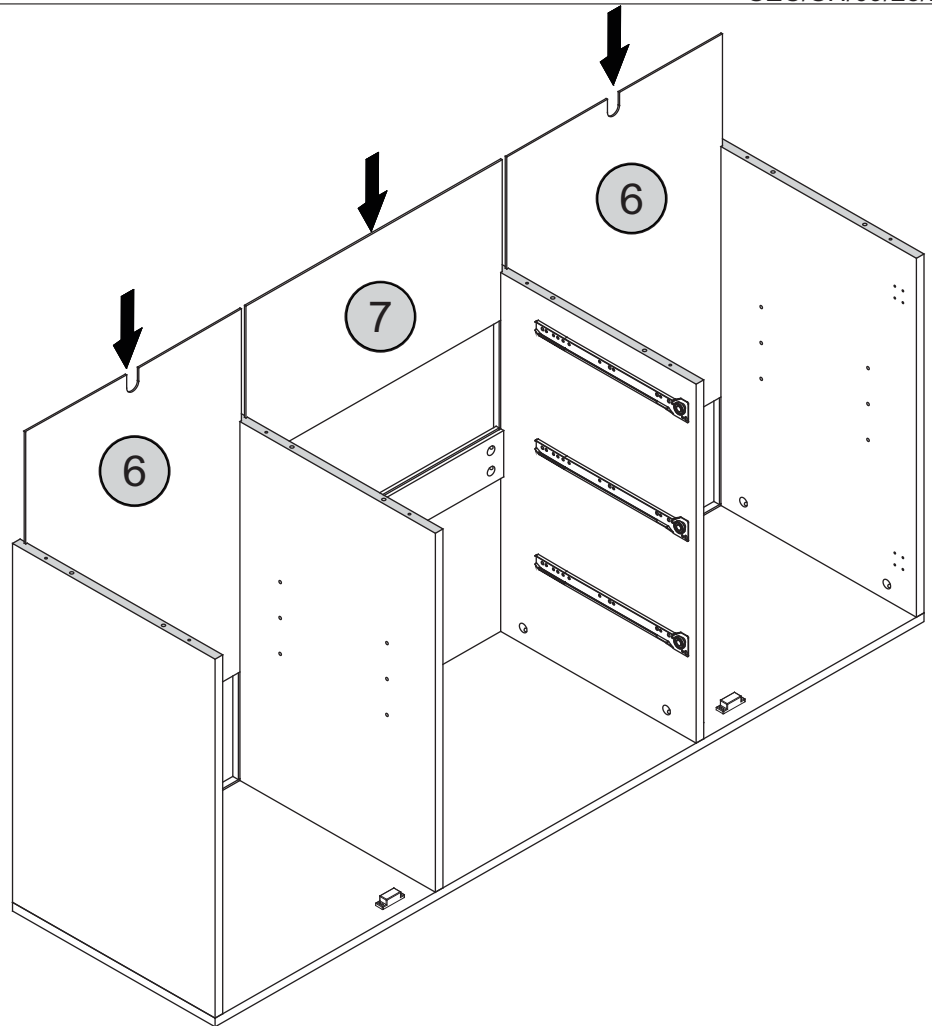
6- BACK PANEL (LARGE) x2

7- BACK PANEL (SMALL) x1



HARDWARE REQUIRED

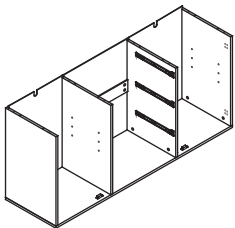
TOOLS REQUIRED




STEP 8


PARTS REQUIRED

2- BOTTOM PANEL x1

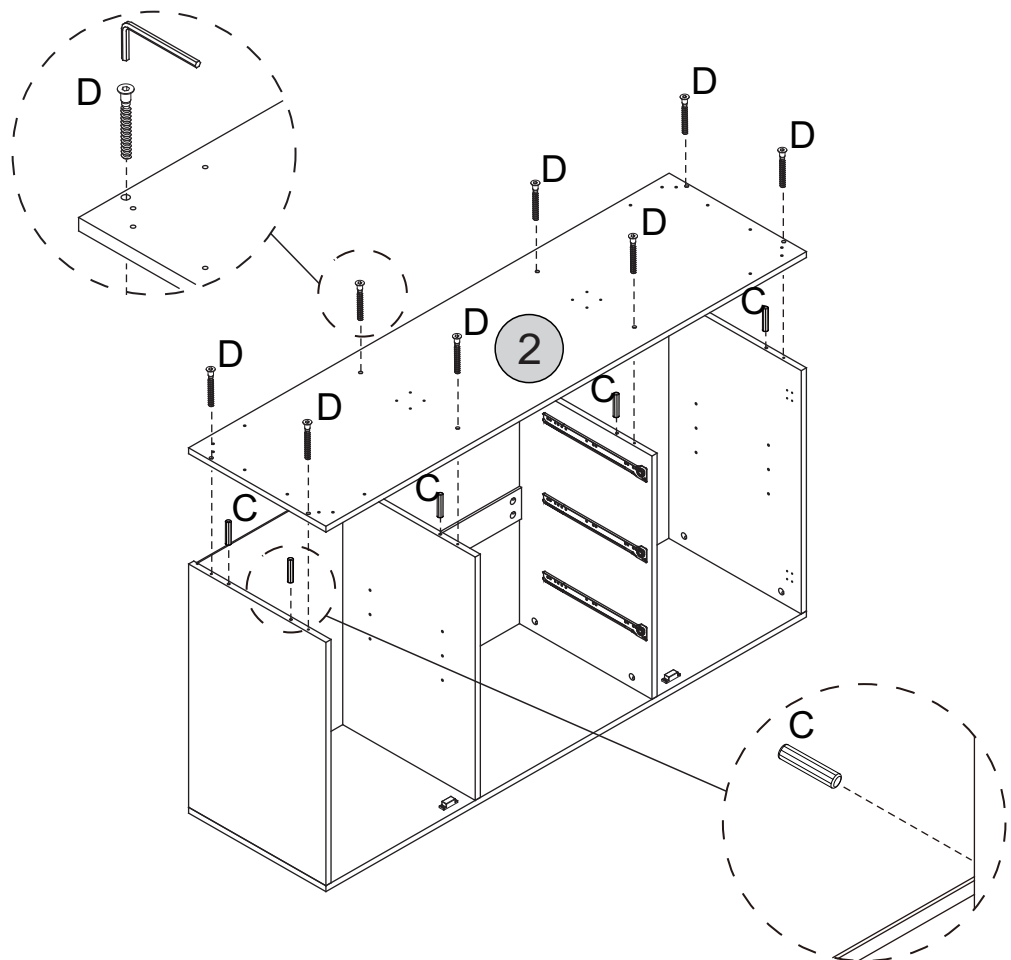
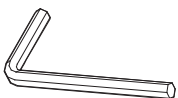
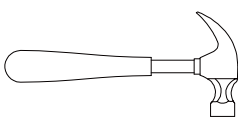


HARDWARE REQUIRED

C  08

D  08

TOOLS REQUIRED

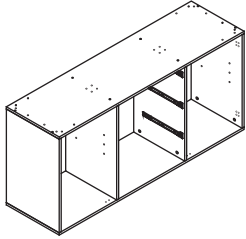


STEP 9

PARTS REQUIRED

18- METAL LEG x4

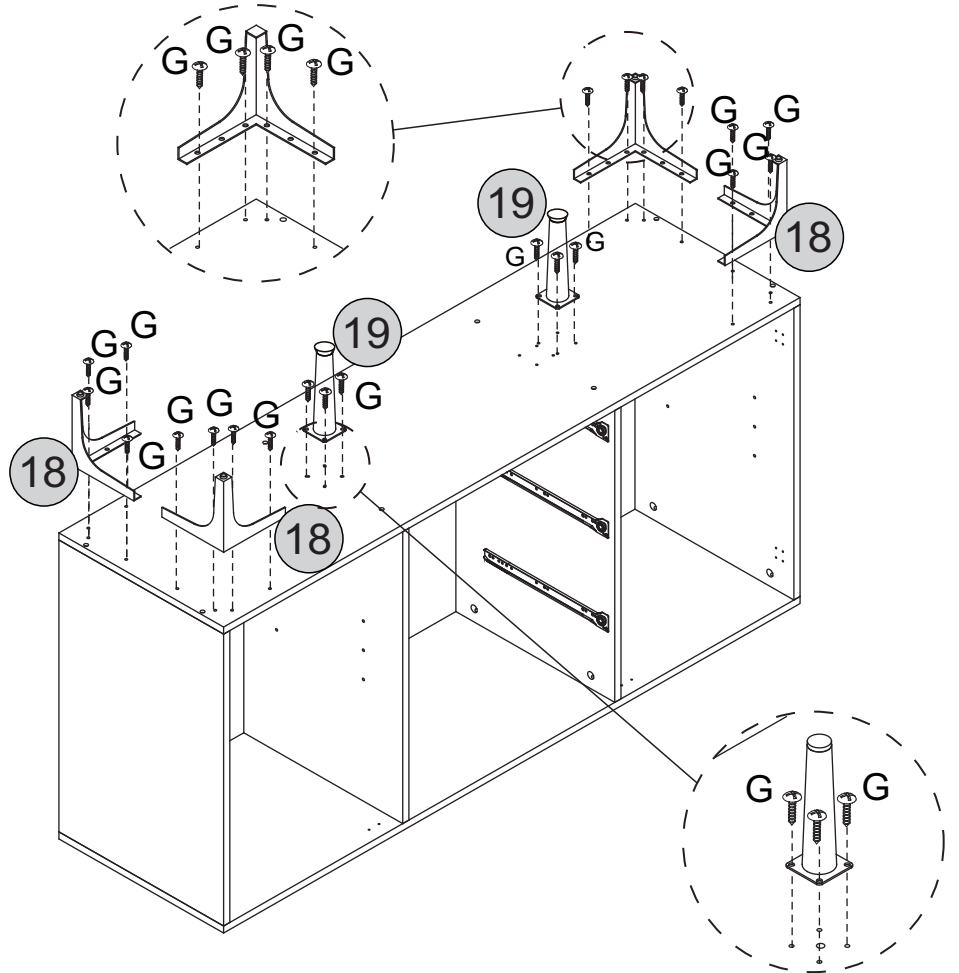
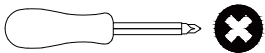
19- METAL LEG - CENTRE x2



HARDWARE REQUIRED

G  24

TOOLS REQUIRED



STEP 10

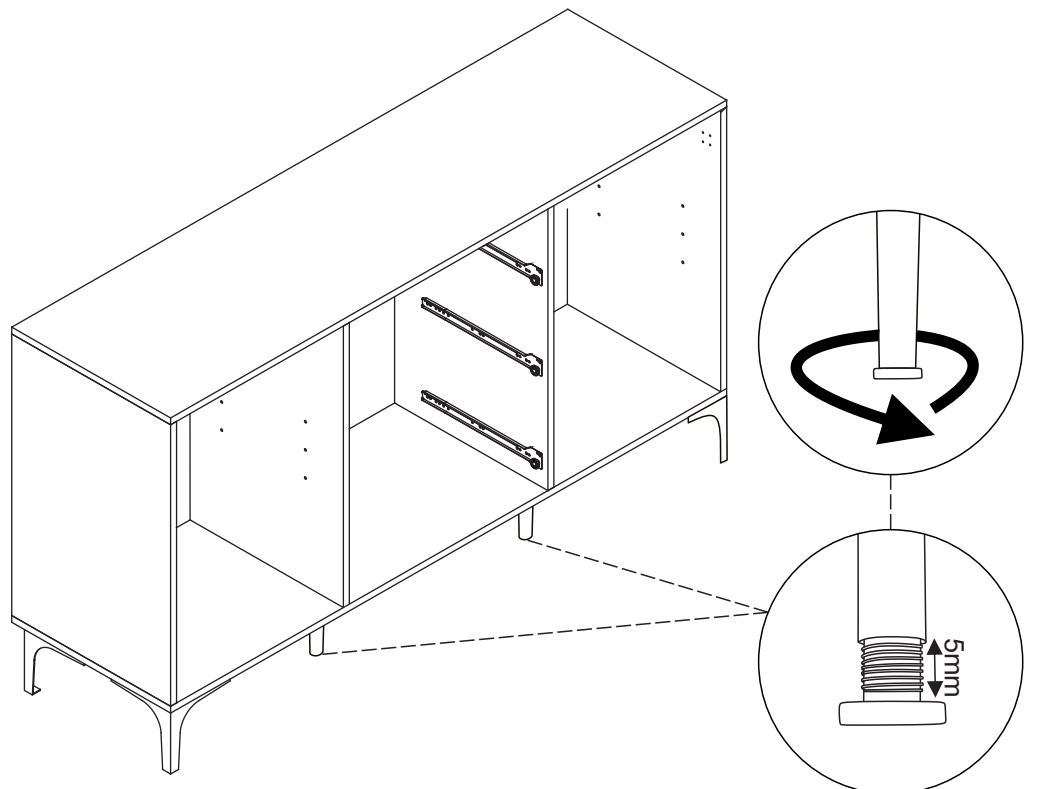
IMPORTANT PLEASE FOLLOW !

PARTS REQUIRED

Once the unit is positioned upright, rotate both adjustable feet 5mm until they are firmly secured and in full contact with the floor. Ensure both feet are properly adjusted before proceeding. Failure to do so will result in misalignment of the Top Panel and affect the final positioning of the doors.

HARDWARE REQUIRED

TOOLS REQUIRED

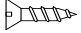

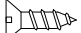



STEP 11

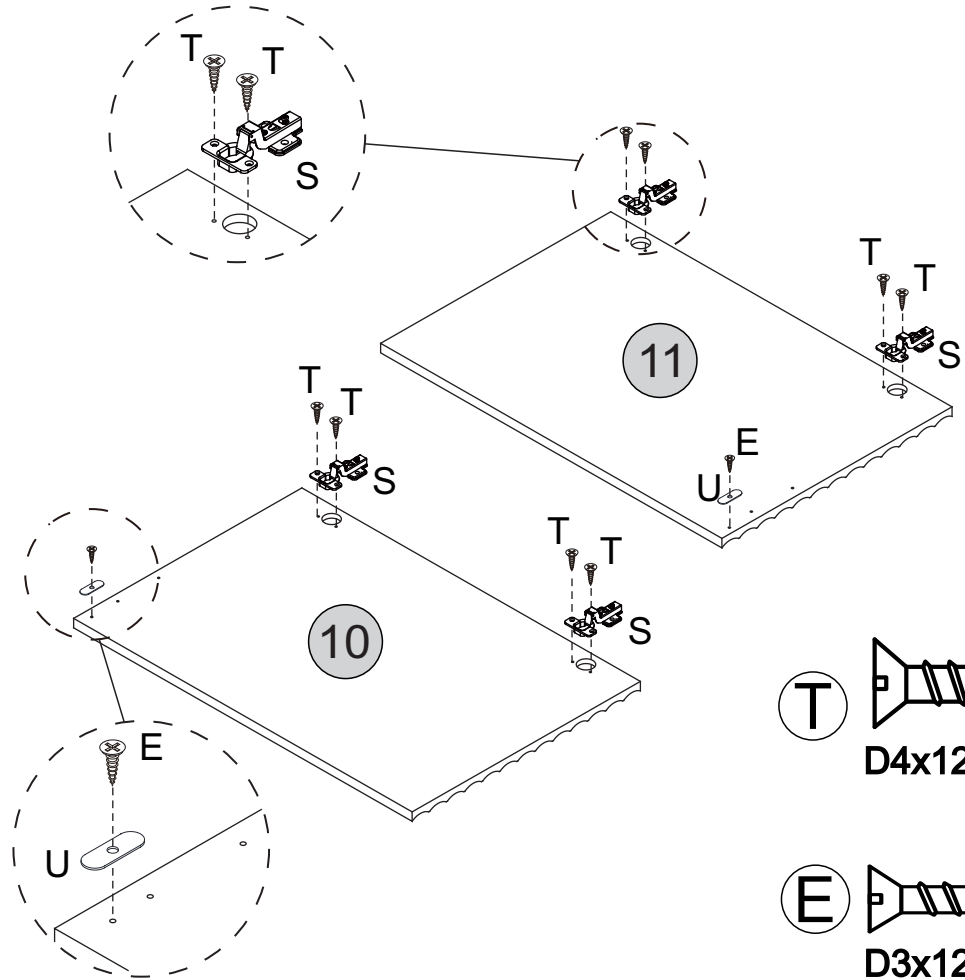
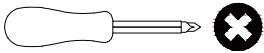
PARTS REQUIRED

10- DOOR - LEFT	x1
11- DOOR - RIGHT	x1

HARDWARE REQUIRED

E		02
S		04
T		08
U		02

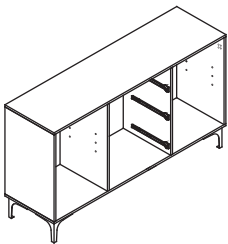
TOOLS REQUIRED



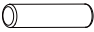
STEP 12

PARTS REQUIRED

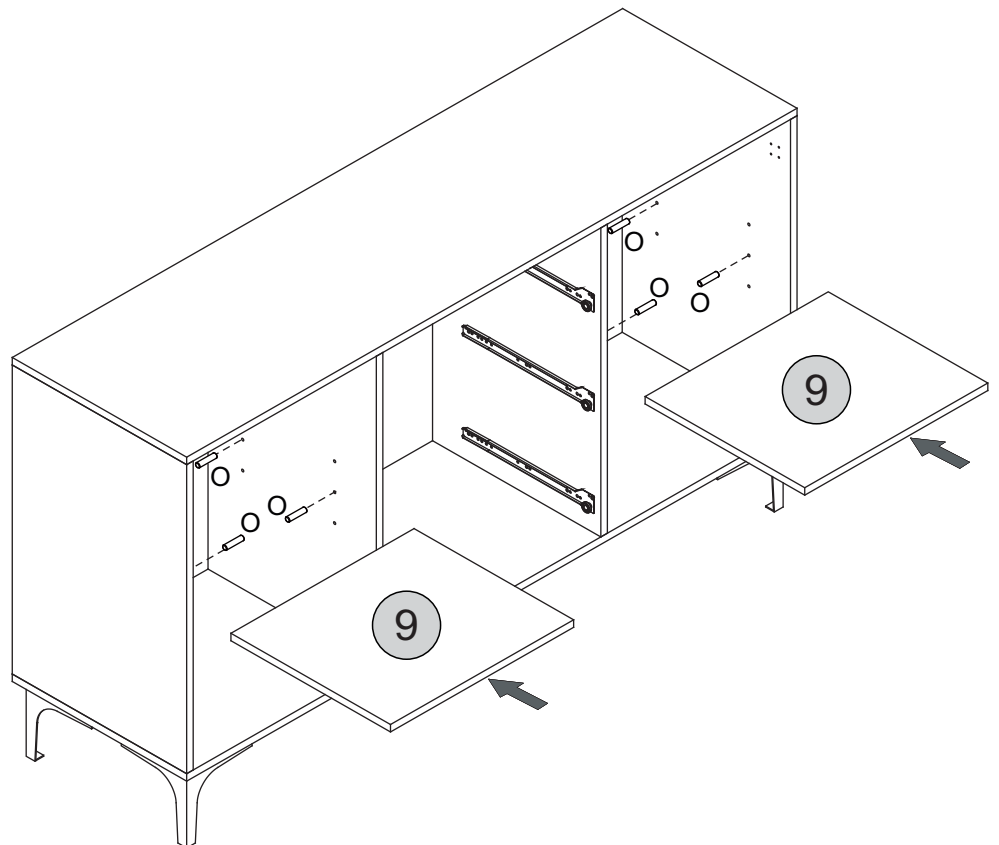
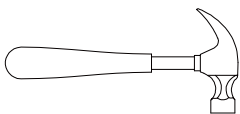
9-Shelf Panel	x2
---------------	----



HARDWARE REQUIRED

O		08
---	---	----

TOOLS REQUIRED

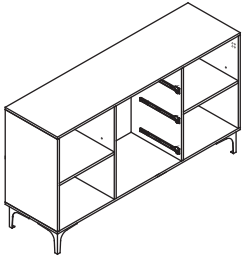


STEP 13

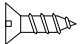
PARTS REQUIRED

10- DOOR - LEFT x1

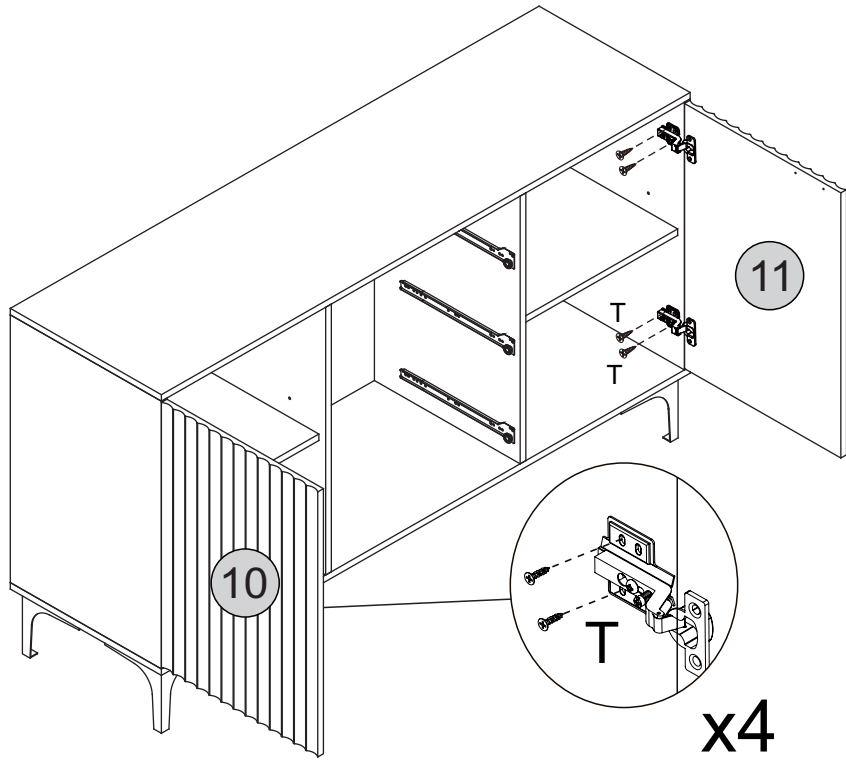
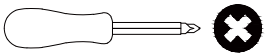
11- DOOR - RIGHT x1



HARDWARE REQUIRED

T  08

TOOLS REQUIRED

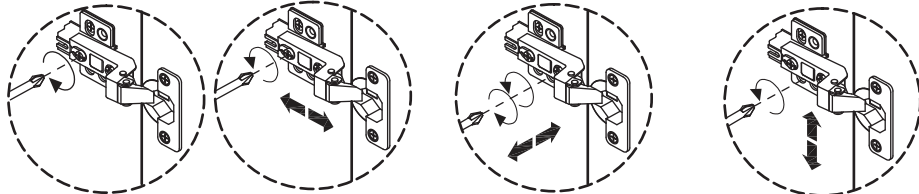


x4

Depth Adjustment

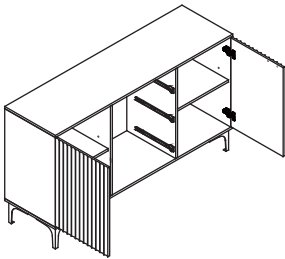
Internal Adjustment

Height Adjustment

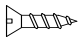


STEP 14

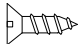
PARTS REQUIRED



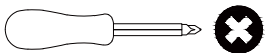
HARDWARE REQUIRED

E  04

M  02

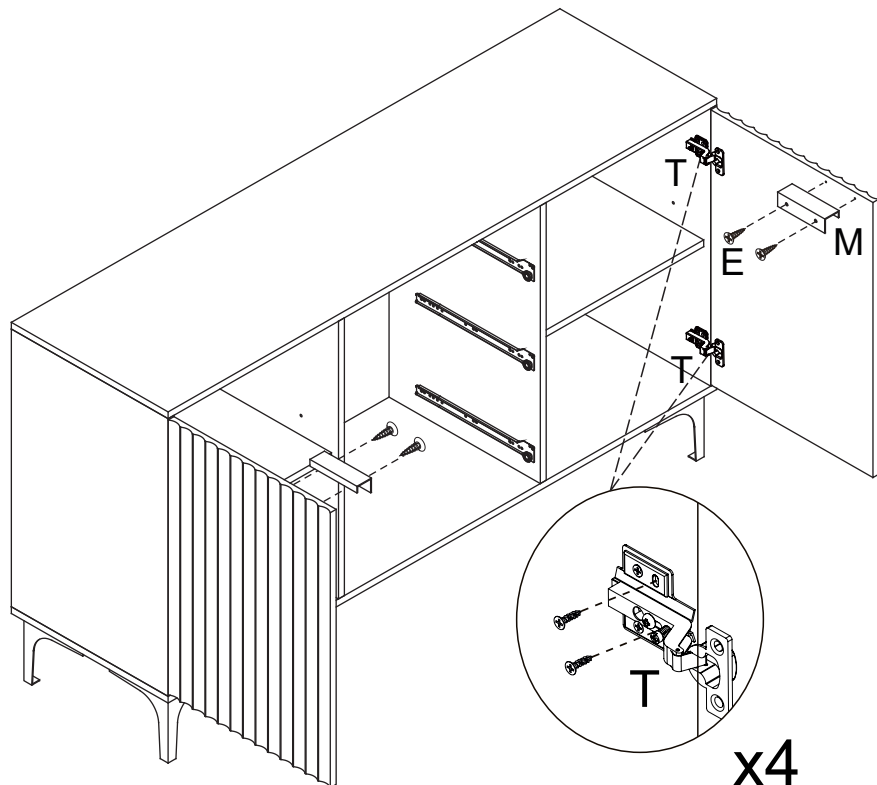
T  08

TOOLS REQUIRED



IMPORTANT PLEASE FOLLOW !

Please ensure the doors are correctly adjusted before inserting the lock-in screw. Failure to do so may result in uneven or unlevel doors.



x4

STEP 15

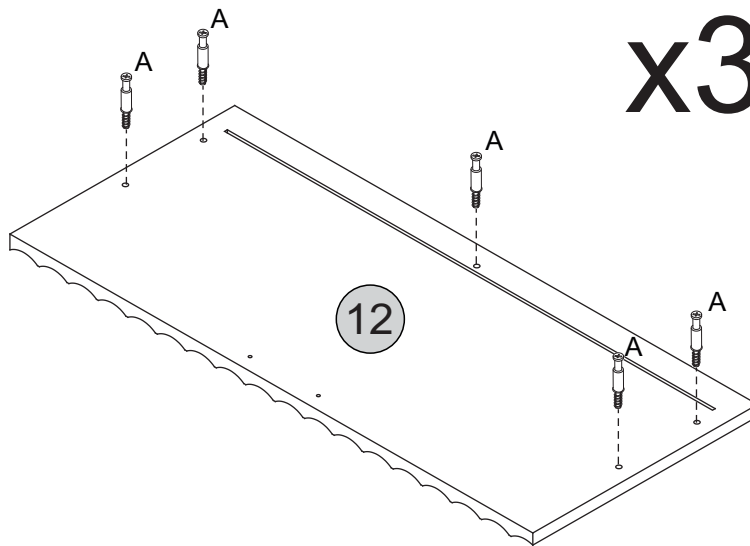
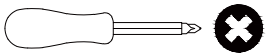
PARTS REQUIRED

12- DRAWER FRONT PANEL x3

HARDWARE REQUIRED

A  15

TOOLS REQUIRED



STEP 16

PARTS REQUIRED

12- DRAWER FRONT PANEL x3

13- DRAWER SIDE PANEL - LEFT x3

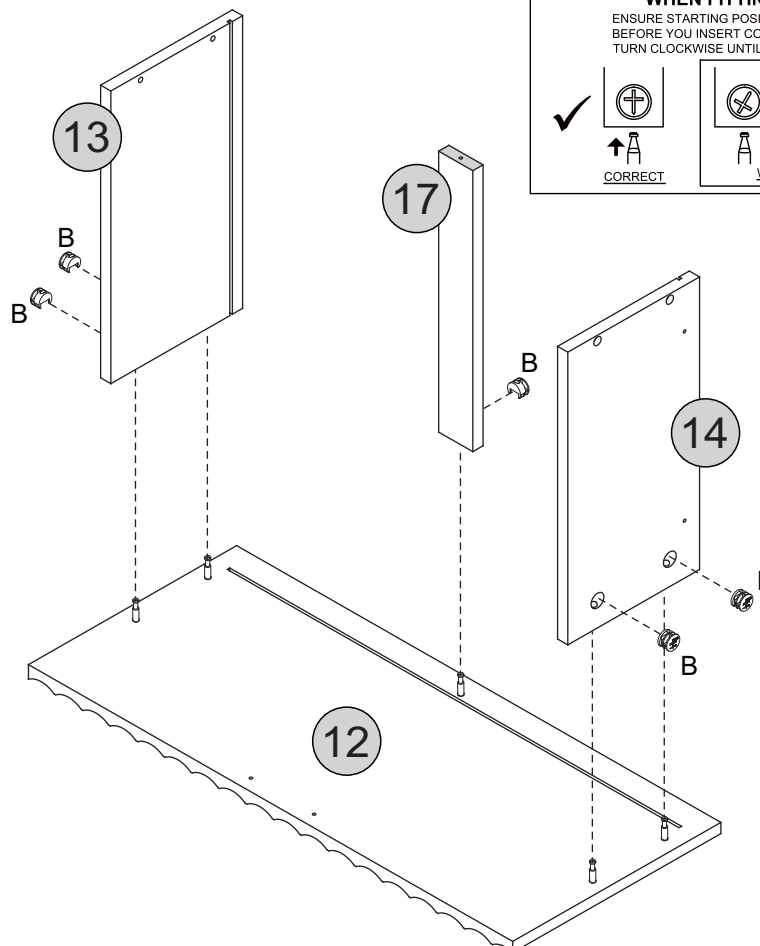
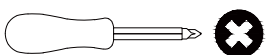
14- DRAWER SIDE PANEL - RIGHT x3

17- DRAWER BOTTOM SUPPORT x3

HARDWARE REQUIRED

B  15

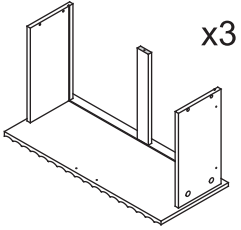
TOOLS REQUIRED



STEP 17

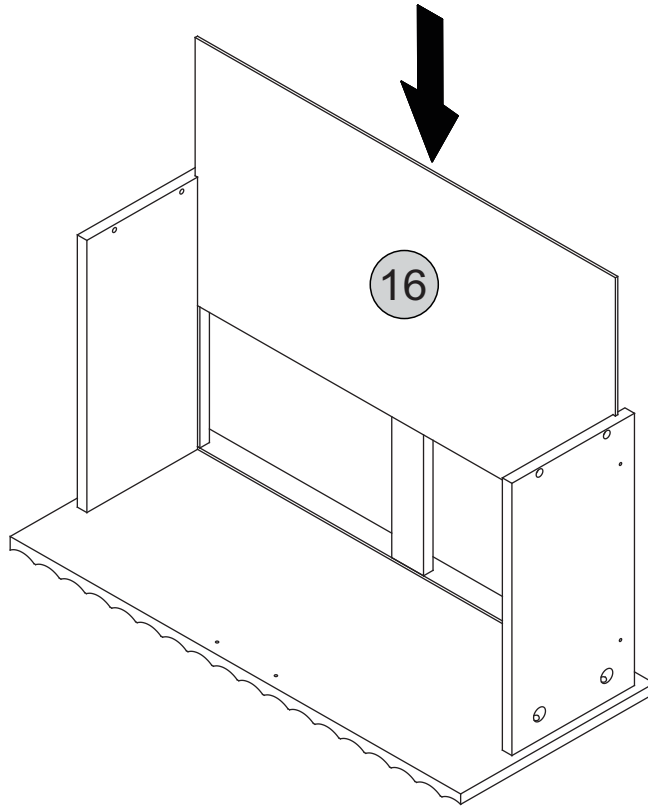
PARTS REQUIRED

16-DRAWER BOTTOM PANEL x3



HARDWARE REQUIRED

TOOLS REQUIRED

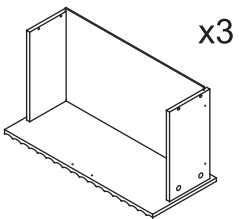


x3

STEP 18

PARTS REQUIRED

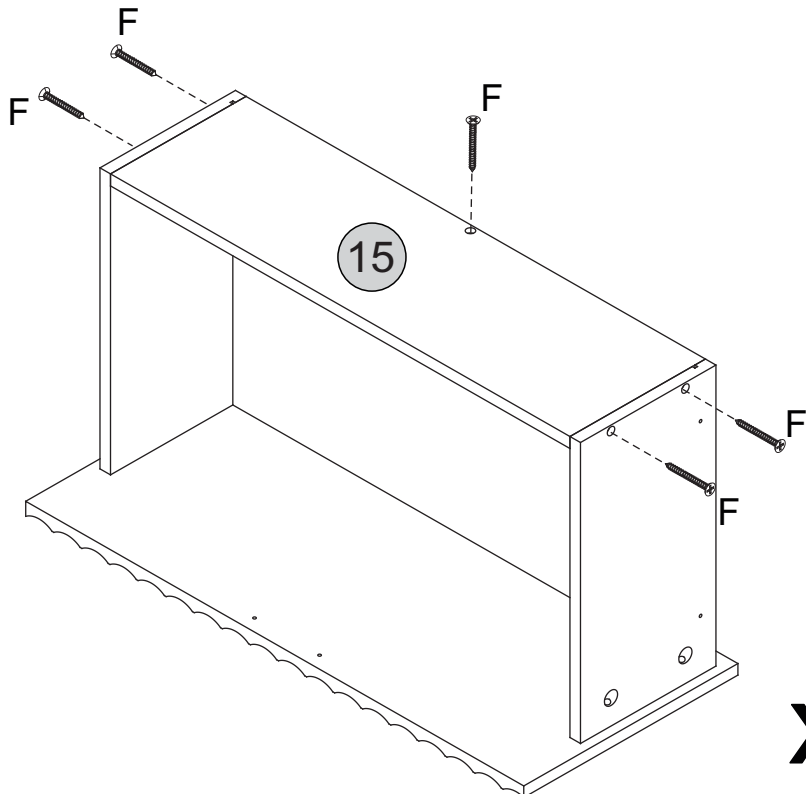
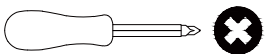
15- DRAWER BACK PANEL x3



HARDWARE REQUIRED



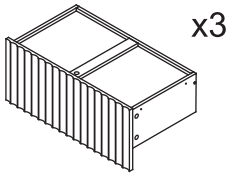
TOOLS REQUIRED



x3

STEP 19

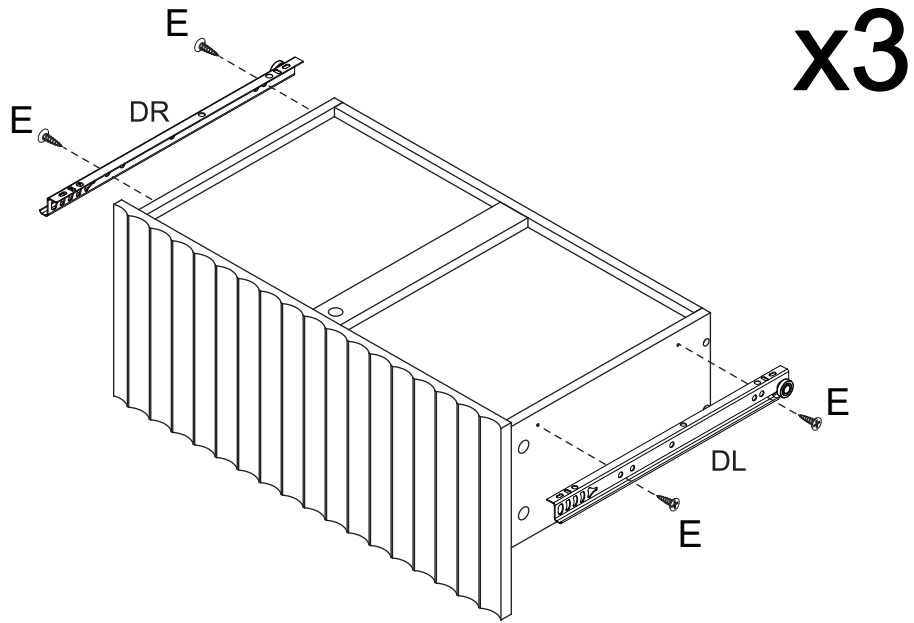
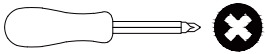
PARTS REQUIRED



HARDWARE REQUIRED

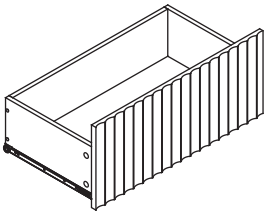


TOOLS REQUIRED

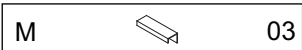
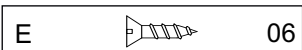


STEP 20

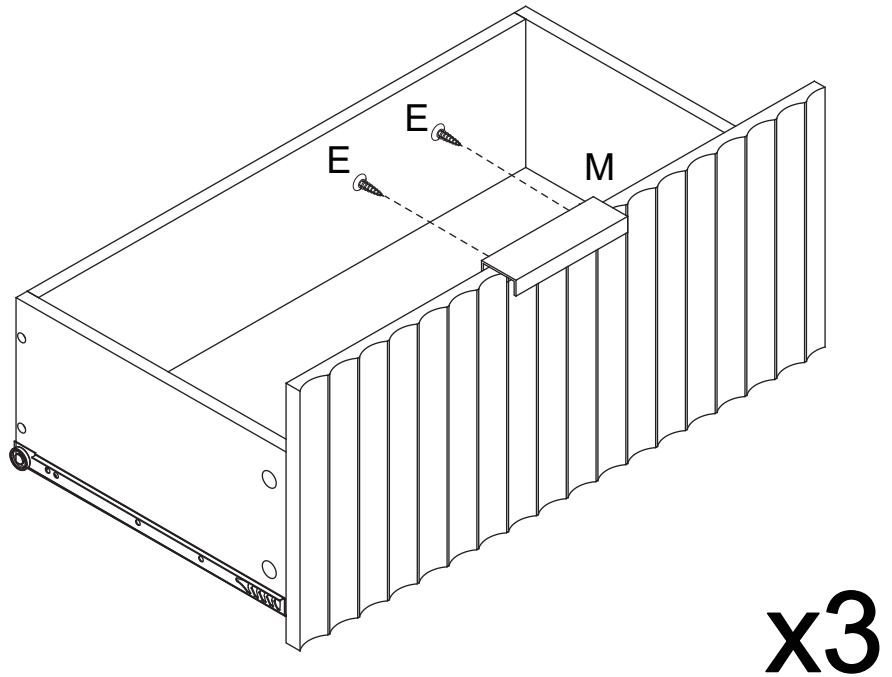
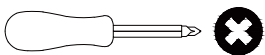
PARTS REQUIRED



HARDWARE REQUIRED

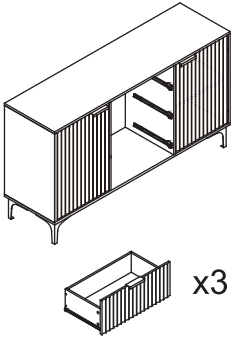


TOOLS REQUIRED



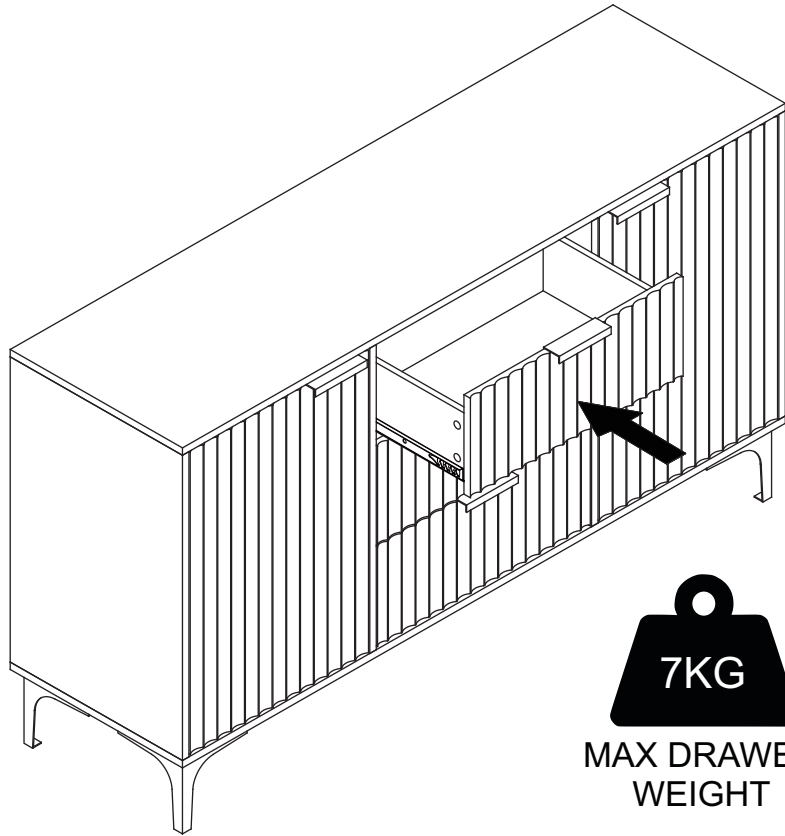
STEP 21

PARTS REQUIRED



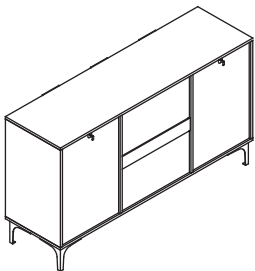
HARDWARE REQUIRED

TOOLS REQUIRED



STEP 22

PARTS REQUIRED

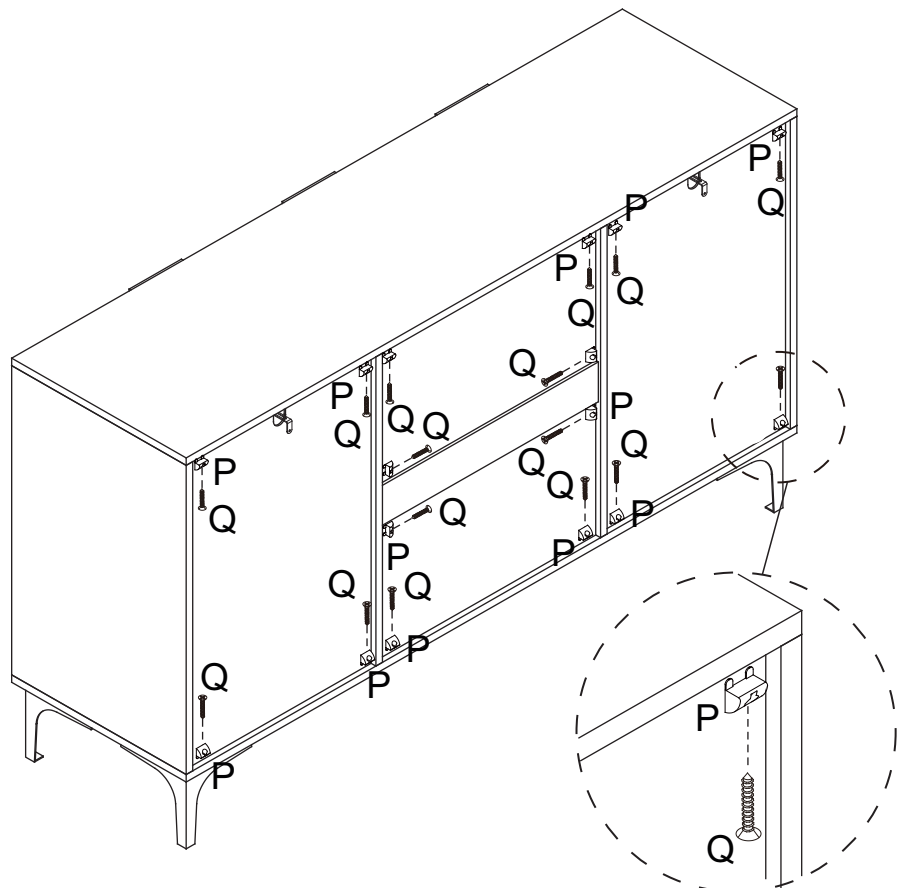
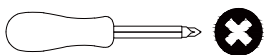


HARDWARE REQUIRED

P		16
---	--	----

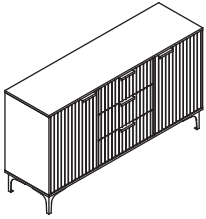
Q		16
---	--	----

TOOLS REQUIRED



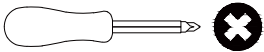
STEP 23

PARTS REQUIRED



HARDWARE REQUIRED

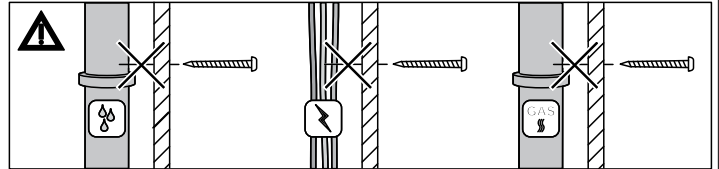
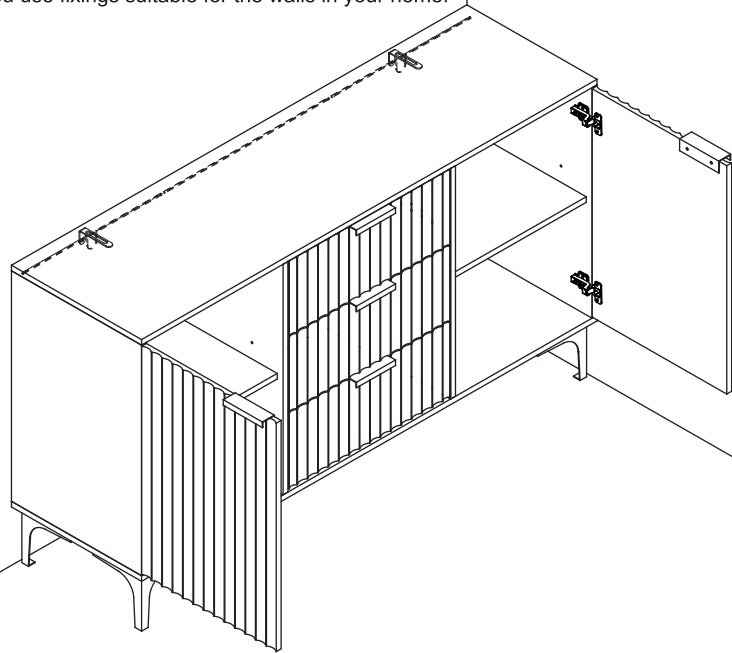
TOOLS REQUIRED



WARNING

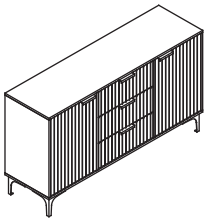
Serious or fatal injuries can occur from furniture tipping over. To prevent the furniture from tipping over we recommend that it is permanently fixed to the wall.

Wall fixings are not supplied with this product as different wall materials require different types of fixing devices. Please make sure you use fixings suitable for the walls in your home.



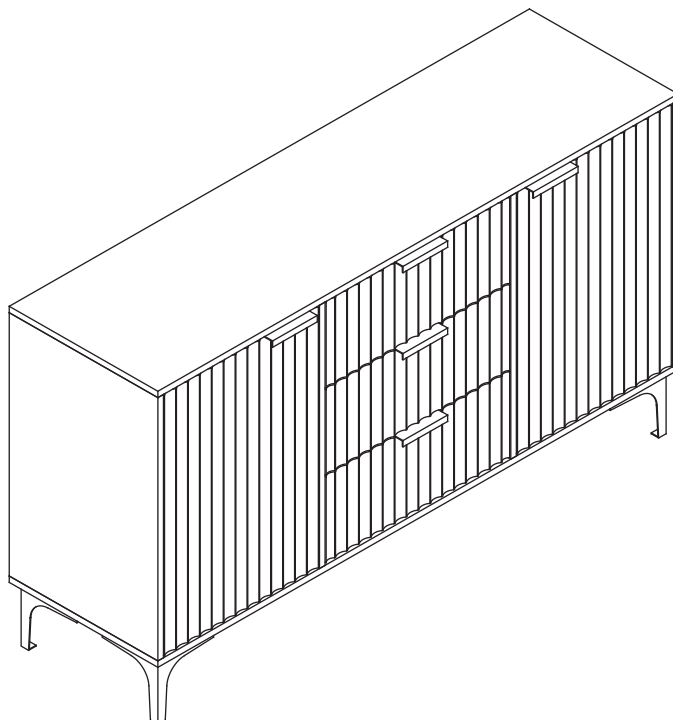
STEP 24

PARTS REQUIRED



HARDWARE REQUIRED

TOOLS REQUIRED



50KG
MAX TOP
WEIGHT



10KG
MAX SHELF
WEIGHT



7KG
MAX DRAWER
WEIGHT

INFORMATIONS IMPORTANTES (FRENCH)

IMPORTANTE POUR USAGE DOMESTIQUE UNIQUEMENT VEUILLEZ LIRE AVANT DE CONTINUER

Le produit que vous avez acheté vous offrira de nombreuses années de service si vous suivez les directives pour son assemblage sûr et son entretien et nettoyage périodiques.

Assemblez sur une surface douce et propre.

N'utilisez aucun autre outil que ceux illustrés.

Toutes les clés ou clés Allen nécessaires sont fournies avec le kit de fixation.

N'utilisez en aucun cas un outil électrique pour assembler ce produit. Son utilisation invalidera toute réclamation que vous pourriez avoir et pourrait rendre ce produit dangereux.

Selon la quantité d'utilisation de ce produit, il peut être nécessaire de resserrer les fixations de temps en temps. Cela est tout à fait normal pour tout meuble en kit. Ne serrez pas trop les fixations.

Pour le nettoyage, vous pouvez utiliser un chiffon humide (pas mouillé).

N'utilisez pas de produits de polissage, de détergent ou de nettoyeurs chimiques.

La surface de cet article n'est pas résistante à la chaleur. Utilisez toujours un set de table sous les articles chauds ou froids pour éviter les marques.

ADVERTENCIA (ANTI-BASCULEMENT)

Des blessures graves, voire mortelles, peuvent survenir en cas de basculement d'un meuble. Pour éviter que le meuble ne bascule, nous recommandons de le fixer de manière permanente au mur.

Les fixations murales ne sont pas fournies avec ce produit, car les différents matériaux de mur nécessitent différents types de dispositifs de fixation. Veuillez vous assurer d'utiliser des fixations adaptées aux murs de votre maison. Veuillez vous référer à la dernière page.

INFORMACIÓN IMPORTANTE (SPANISH)

IMPORTANTE SOLO PARA USO DOMÉSTICO LEER ANTES DE CONTINUAR

El producto que ha adquirido le brindará muchos años de servicio si sigue las pautas para su montaje seguro y su mantenimiento y limpieza periódicos.

Ensamble sobre una superficie suave y limpia.

No utilice herramientas distintas a las que se muestran.

Las llaves inglesas o llaves Allen necesarias se incluyen con el kit de accesorios.

No utilice bajo ningún concepto una herramienta eléctrica para ensamblar este producto. Su uso invalidará cualquier reclamo que pueda tener y podría hacer que este producto sea inseguro.

Dependiendo de la cantidad de uso que reciba este producto, puede ser necesario apretar las fijaciones de vez en cuando. Esto es completamente normal para cualquier mueble en paquete plano. No apriete demasiado las fijaciones.

Para la limpieza, puede utilizar un paño húmedo (no mojado). No utilice abrillantadores, detergentes ni limpiadores químicos.

La superficie de este artículo no es resistente al calor. Utilice siempre un mantel individual debajo de los elementos calientes o fríos para evitar marcarlos.

ADVERTENCIA (ANTI-VUELCO)

El vuelco de los muebles puede provocar lesiones graves o fatales. Para evitar que los muebles se vuelquen, recomendamos fijarlos permanentemente a la pared.

Este producto no incluye fijaciones de pared, ya que los distintos materiales de pared requieren distintos tipos de dispositivos de fijación. Asegúrese de utilizar fijaciones adecuadas para las paredes de su hogar. Veuillez vous référer à la dernière page.

WICHTIGE INFORMATIONEN (GERMAN)

WICHTIGUR FÜR DEN HAUSHALTSGEBRAUCH BITTE LESEN SIE, BEVOR SIE FORTFAHREN

Das von Ihnen gekaufte Produkt wird Ihnen viele Jahre lang gute Dienste leisten, wenn Sie die Richtlinien für eine sichere Montage und regelmäßige Wartung und Reinigung befolgen.

Montieren Sie es auf einer weichen, saubereren Oberfläche.

Verwenden Sie keine anderen Werkzeuge als die abgebildeten.

Erforderliche Schraubenschlüssel oder Inbusschlüssel sind im Montagesatz enthalten.

Verwenden Sie unter keinen Umständen ein Elektrowerkzeug zur Montage dieses Produkts. Bei Verwendung erlöschen alle Ansprüche, die Sie haben, und das Produkt kann unsicher werden.

Je nachdem, wie häufig dieses Produkt verwendet wird, kann es erforderlich sein, die Befestigungen von Zeit zu Zeit festzuziehen. Dies ist bei Möbeln aus dem Bausatz völlig normal. Ziehen Sie die Befestigungen nicht zu fest an.

Zum Reinigen können Sie ein feuchtes Tuch verwenden (nicht nass).

Verwenden Sie keine Politur, kein Reinigungsmittel oder chemische Reiniger.

Die Oberfläche dieses Artikels ist nicht hitzebeständig. Verwenden Sie immer eine Unterlage unter heißen oder kalten Gegenständen, um Flecken zu vermeiden.

WARNUNG (KIPPSCHUTZ)

Durch das Umkippen von Möbeln können schwere oder tödliche Verletzungen entstehen. Um ein Umkippen der Möbel zu verhindern, empfehlen wir, diese dauerhaft an der Wand zu befestigen.

Wandbefestigungen werden nicht mit diesem Produkt mitgeliefert, da unterschiedliche Wandmaterialien unterschiedliche Arten von Befestigungsvorrichtungen erfordern. Bitte stellen Sie sicher, dass Sie Befestigungsvorrichtungen verwenden, die für die Wände in Ihrem Zuhause geeignet sind. Bitte beachten Sie die letzte Seite.

INFORMAZIONI IMPORTANTI (ITALIAN)

IMPORTANTE, SOLO PER USO DOMESTICO SI PREGA DI LEGGERE PRIMA DI CONTINUARE OLTRE

Il prodotto che hai acquistato ti garantirà molti anni di servizio se seguire le linee guida per il suo montaggio sicuro e periodico manutenzione e pulizia.

Montare su una superficie morbida e pulita.

Non utilizzare strumenti diversi da quelli mostrati.

Eventuali chiavi e chiavi a brugola necessarie sono incluse nel kit di raccordi.

Non utilizzare per nessun motivo un utensile elettrico per assemblare questo prodotto. Suo l'uso invaliderà qualsiasi reclamo tu possa avere e potresti avanzare su questo prodotto pericoloso.

A seconda della quantità di utilizzo che questo prodotto riceve, potrebbe essere necessario stringere di tanto in tanto i fissaggi.

Questo è completamente

normalmente per qualsiasi mobile flat pack. Non stringere eccessivamente il fissaggio.

Per la pulizia è possibile utilizzare un panno umido (non bagnato).

Non usare smalti, detersivi o detergenti chimici.

La superficie di questo articolo non è resistente al calore. Usa sempre una tovaglietta sotto oggetti caldi o freddi per evitare segni.

AVVERTIMENTO (ANTIRIBALTAMENTO)

Il ribaltamento dei mobili può provocare lesioni gravi e mortali. A evitare che i mobili si ribaltino, si consiglia di farlo fissato permanentemente al muro.

I fissaggi a parete non sono forniti con questo prodotto in quanto parete diversa i materiali richiedono diversi tipi di dispositivi di fissaggio. Per favore, fallo assicurati di utilizzare fissaggi adatti alle pareti della tua casa. Si prega di fare riferimento all'ultima pagina.