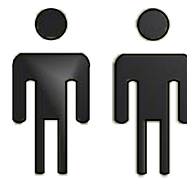


MODEL NAME :
BELLINGHAM 2 DOOR WARDROBE

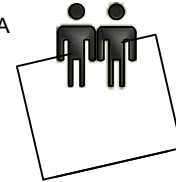
1.0hr

APPROXIMATE ASSEMBLY TIME



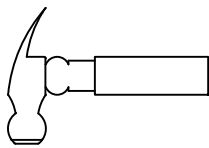
2 PEOPLE FOR ASSEMBLY

FLOOR AREA
2.1M X 1.2M

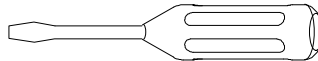


REQUIRED ASSEMBLY SPACE

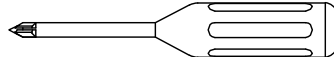
REQUIRED ASSEMBLY TOOLS



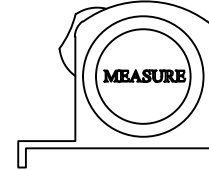
HAMMER



FLAT HEAD SCREWDRIVER

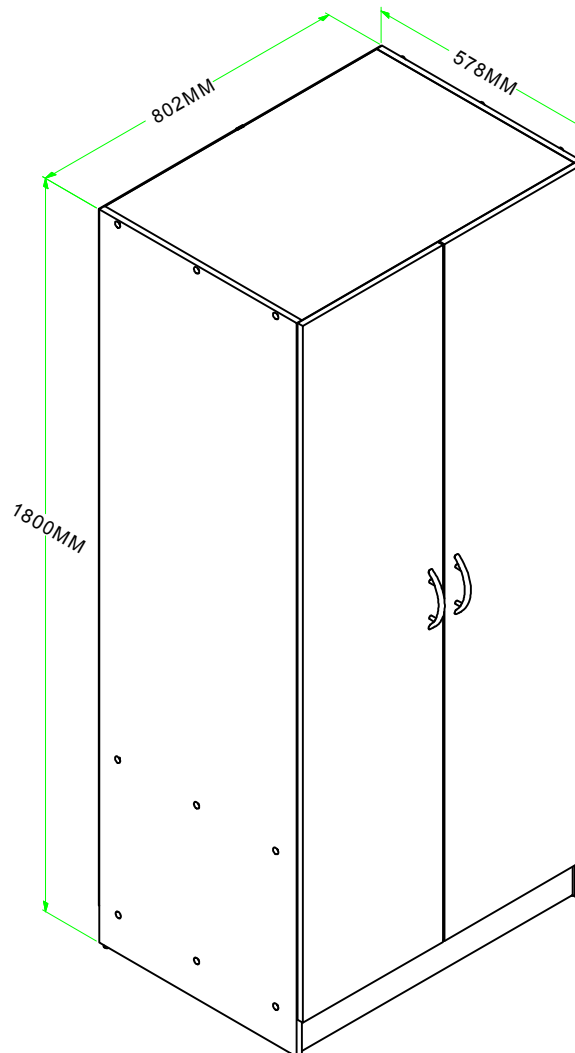


POZI SCREWDRIVER



MEASURING TAPE

ASSEMBLED DIMENSIONS



FOR DOMESTIC USE ONLY

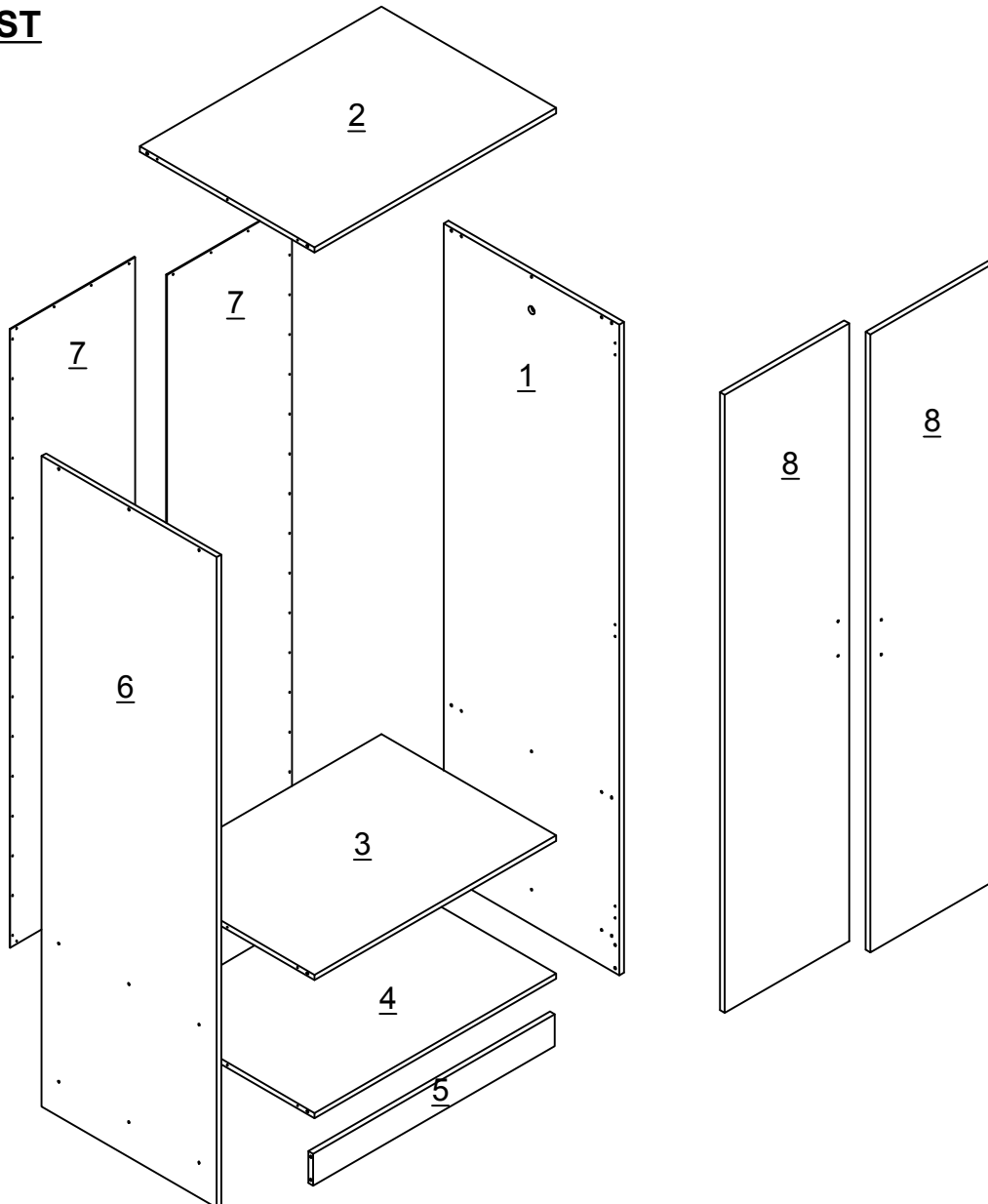
NOTE : THE MAXIMUM WEIGHT THIS PRODUCT CAN HOLD UP TO 25 KGS.

MODEL NAME:


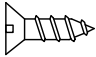
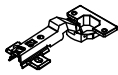


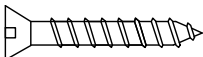


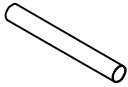
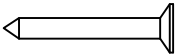




BELLINGHAM 2 DOOR WARDROBE

NO	PART LIST	QTY	NO	PART LIST	QTY
(1)	RIGHT SIDE PANEL	1	(5)	CROSSBAR	1
(2)	TOP PANEL	1	(6)	LEFT SIDE PANEL	1
(3)	MIDDLE SHELF	1	(7)	BACK PANEL	2
(4)	BOTTOM PANEL	1	(8)	DOOR	2

PARTS LIST



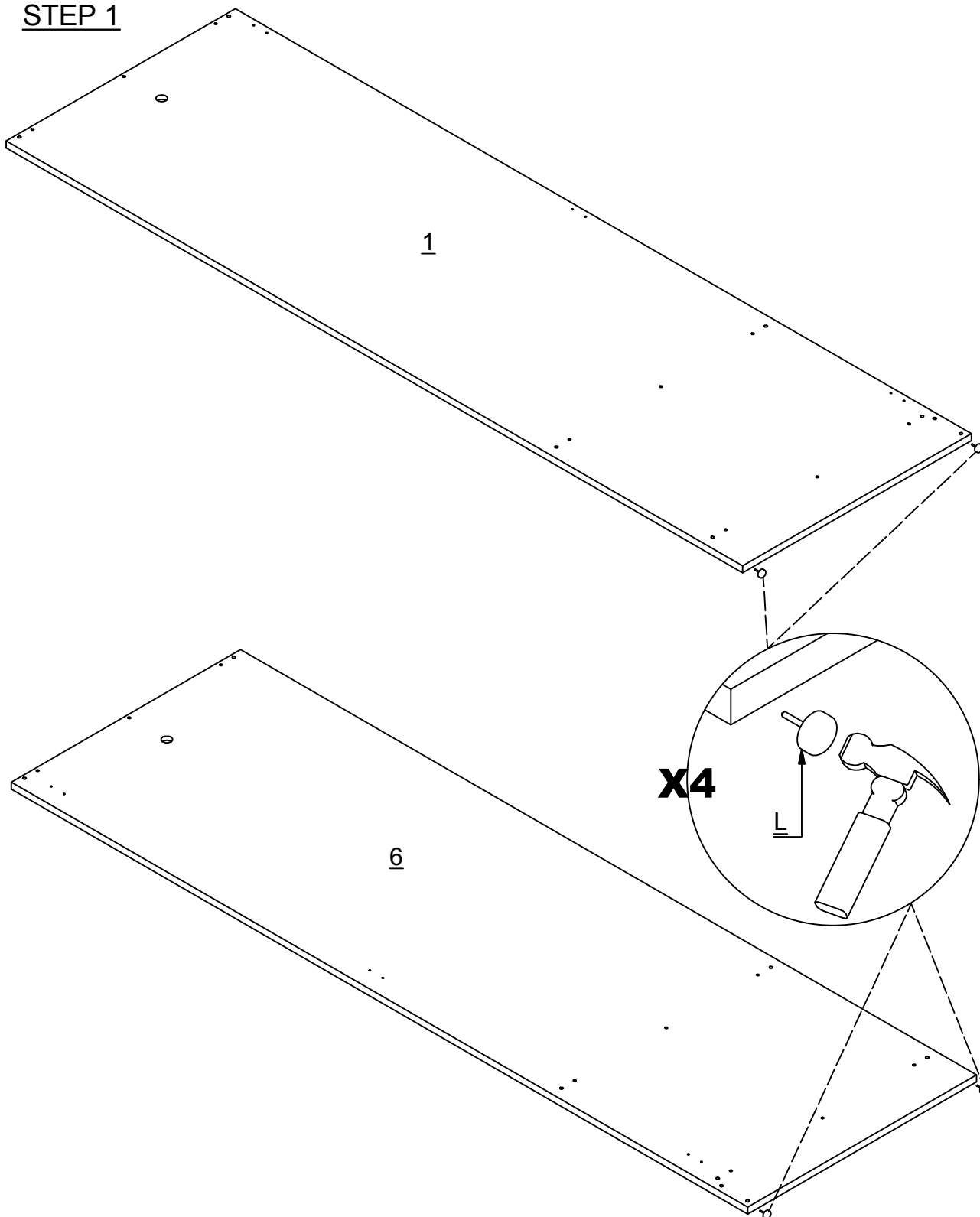
MODEL NAME:**BELLINGHAM 2 DOOR WARDROBE****HARDWARE LIST**

A		DOWEL 6 X 30MM	16 PCS
B		SCREW M3.5 X 16MM	12 PCS
C		HINGES	6 PCS
D		HANDLE	2 PCS
E		HANDLE SCREW 25MM	4 PCS
F		SCREW M4 X 50MM	18 PCS
G		PLASTIC SCREW COVER	18 PCS
H		PLASTIC H STRIP	1 PC
I		HANGING RAIL	1 PC
J		TACK	48 PCS
K		TAPPING SCREW 8 X 12MM	12 PCS
L		PLASTIC FOOT	4 PCS
M		ANTI - TIP STRAP	2 PCS
N		SCREW M4 X 16MM	2 PCS

MODEL NAME:

BELLINGHAM 2 DOOR WARDROBE

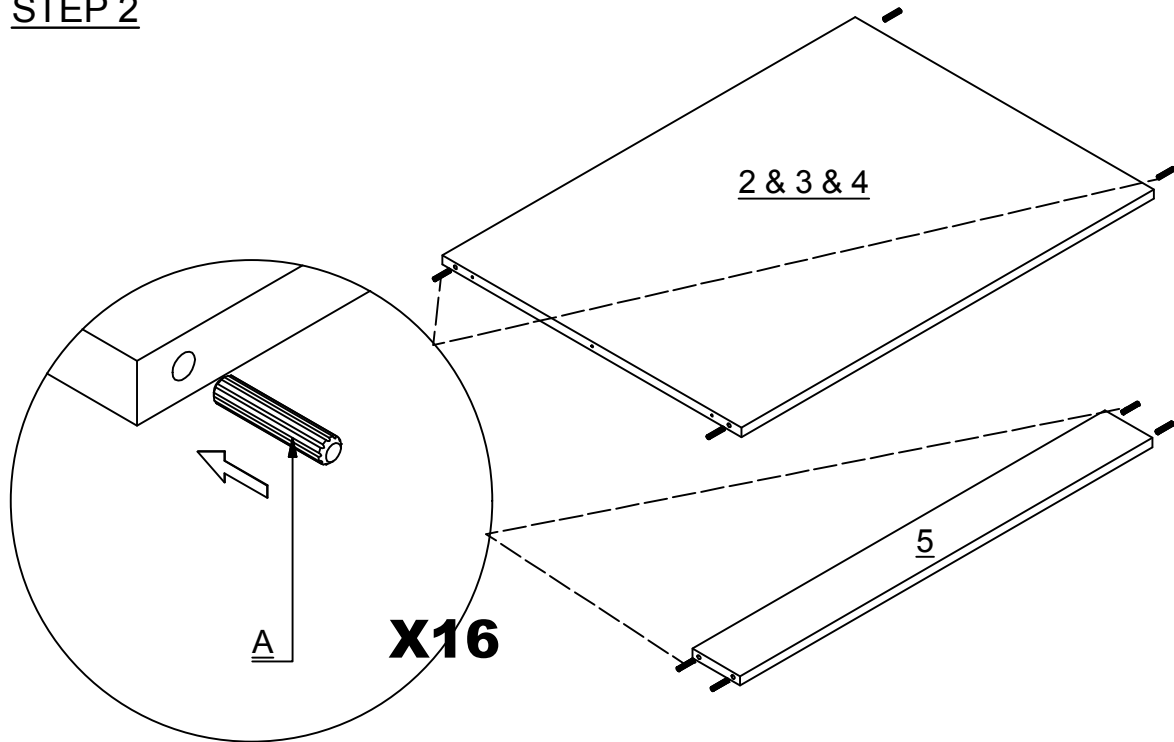
STEP 1



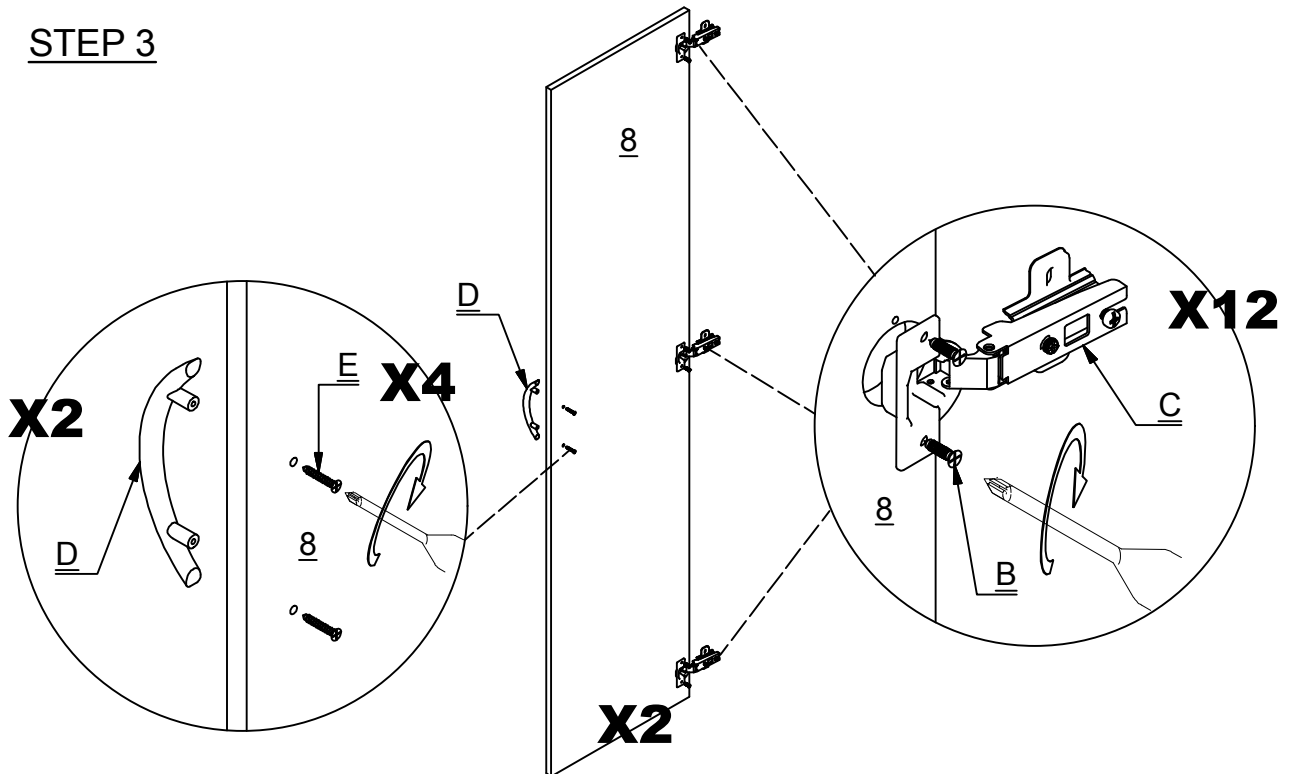
MODEL NAME:

BELLINGHAM 2 DOOR WARDROBE

STEP 2



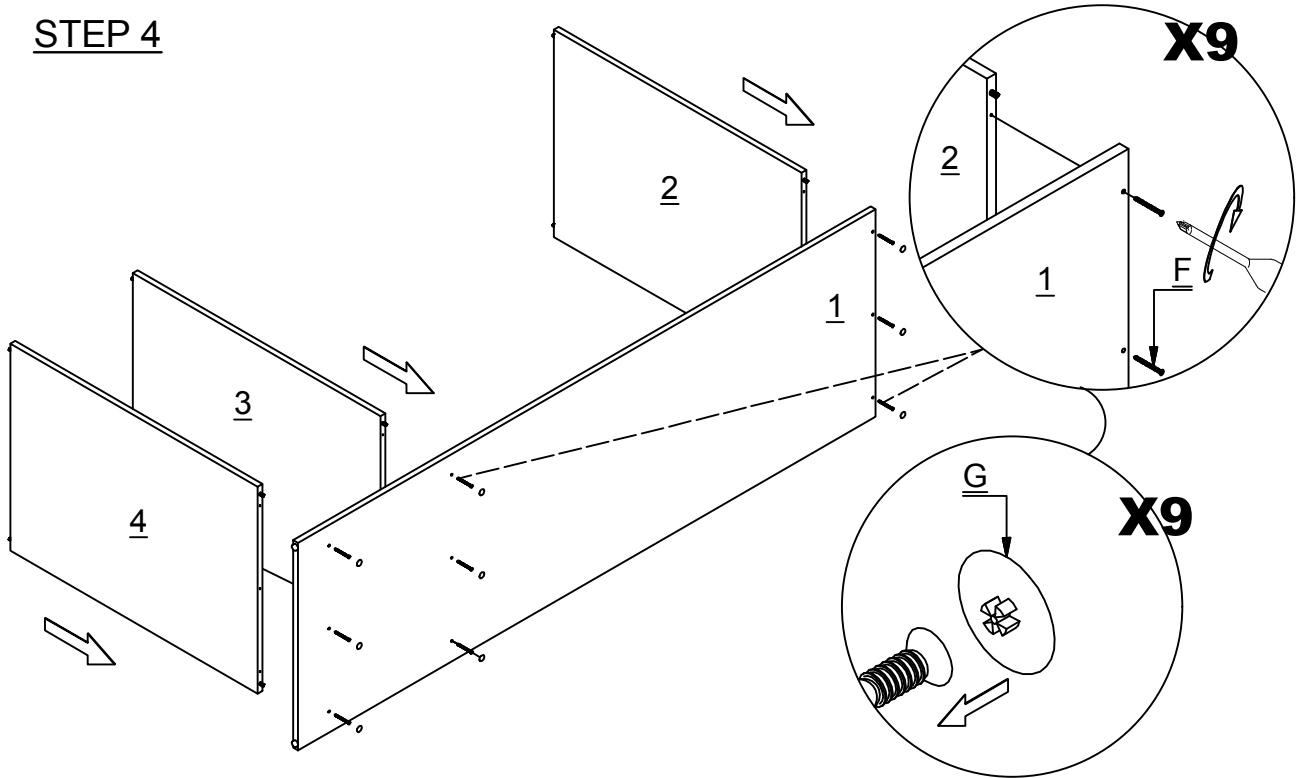
STEP 3



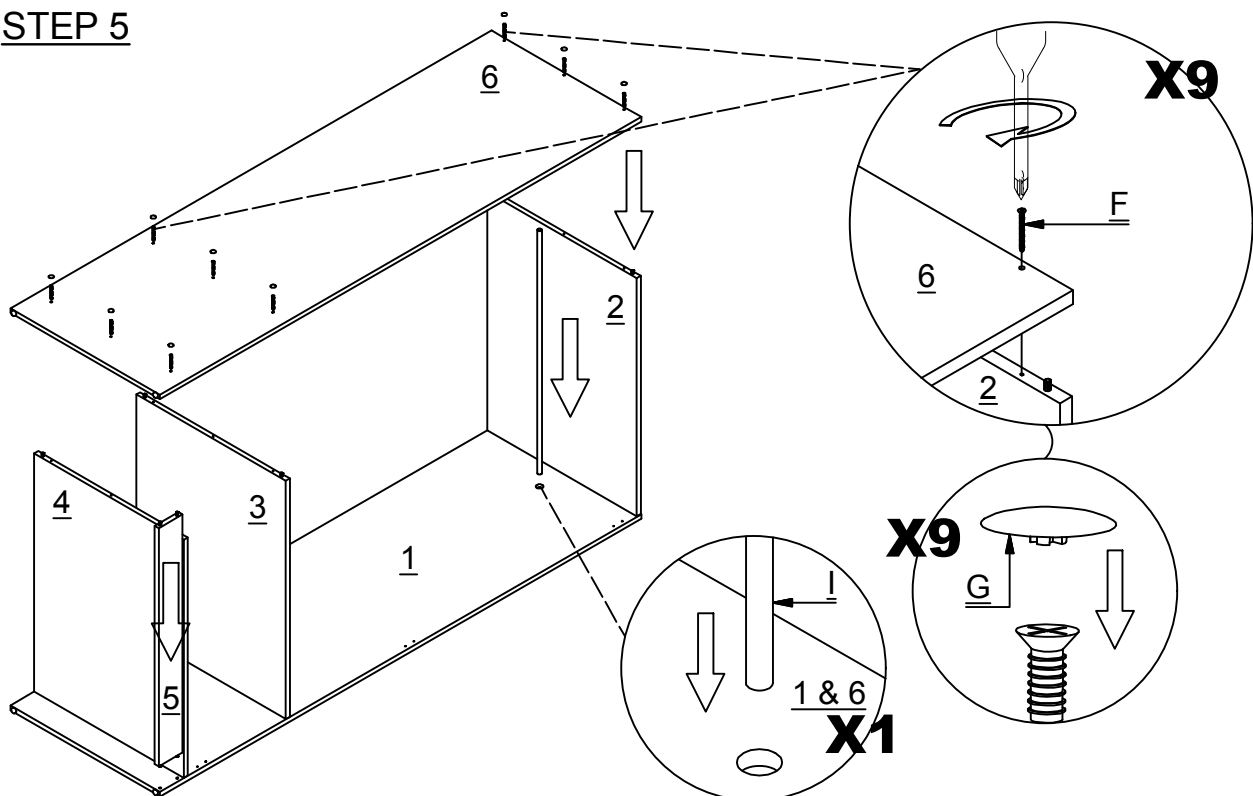
MODEL NAME:

BELLINGHAM 2 DOOR WARDROBE

STEP 4



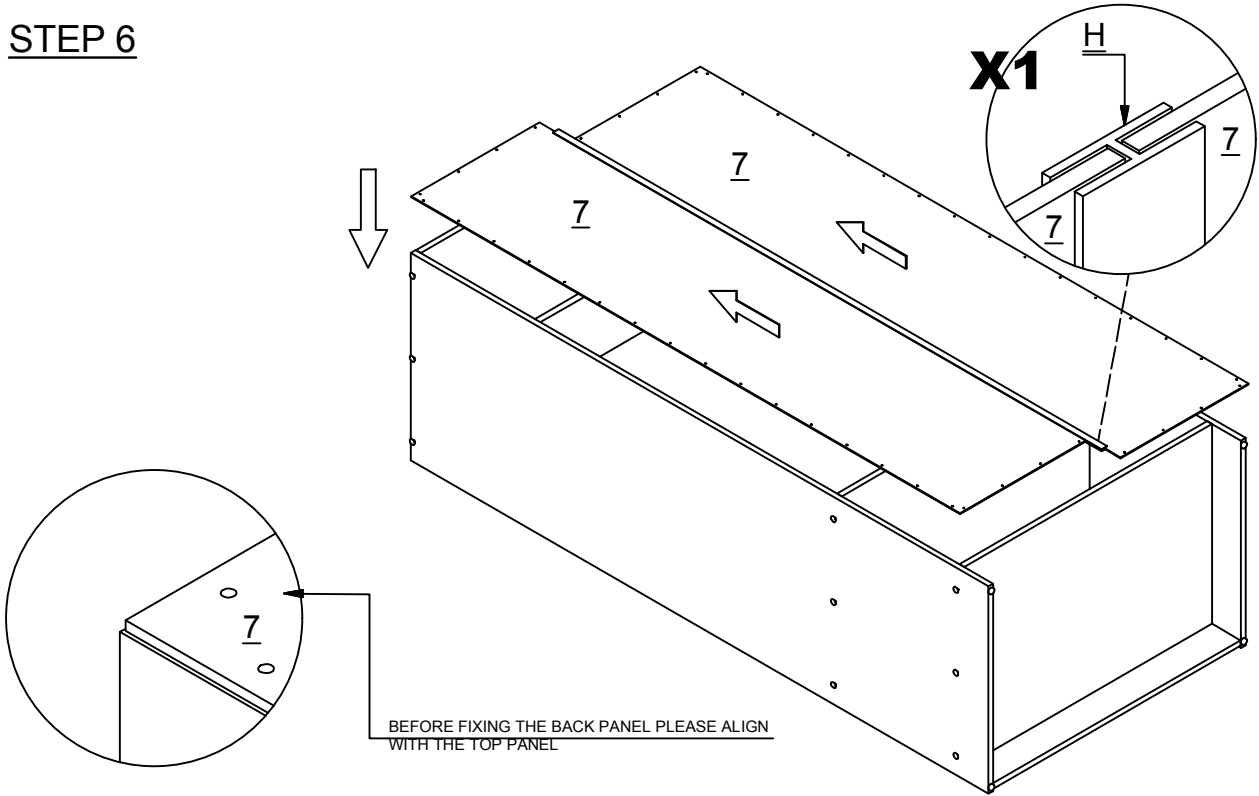
STEP 5



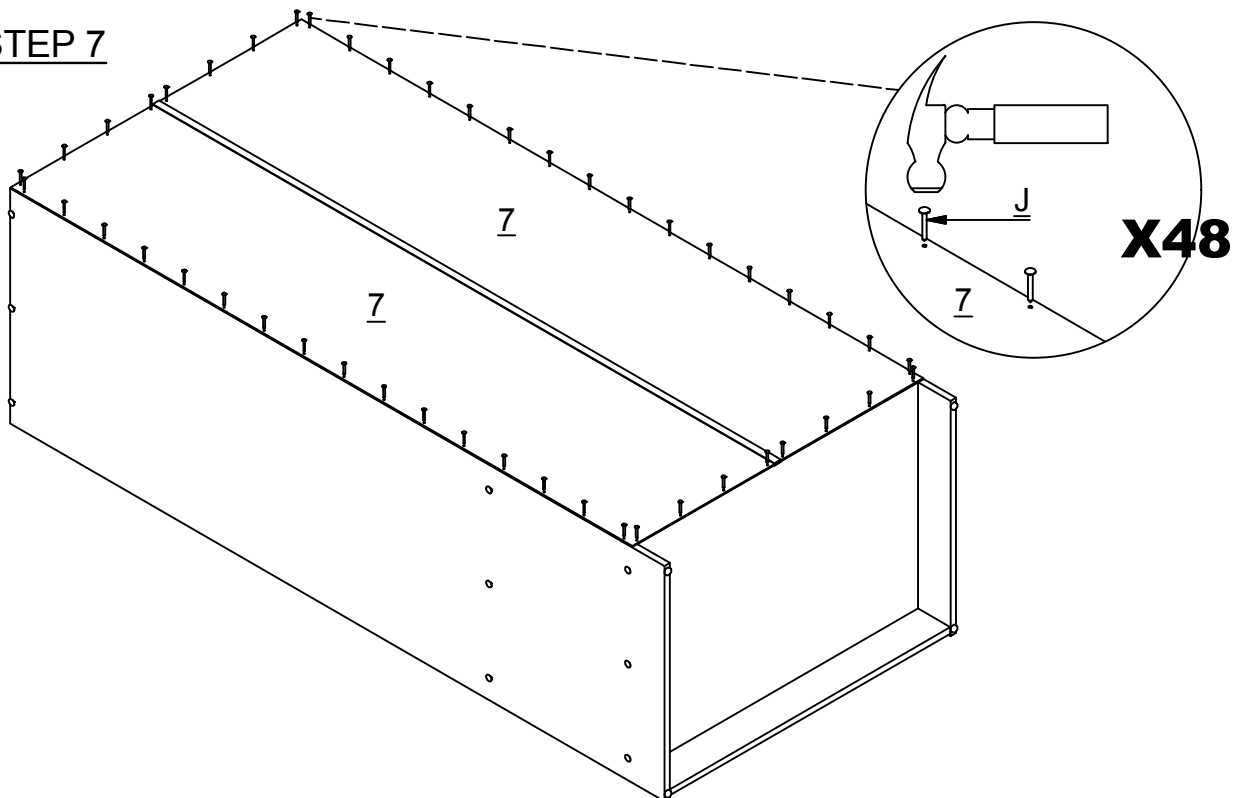
MODEL NAME:

BELLINGHAM 2 DOOR WARDROBE

STEP 6



STEP 7

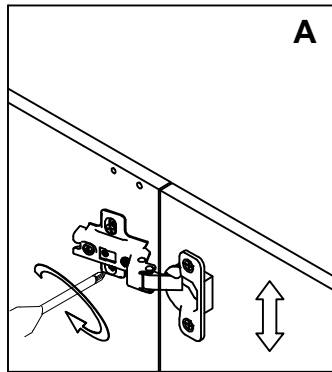


MODEL NAME:

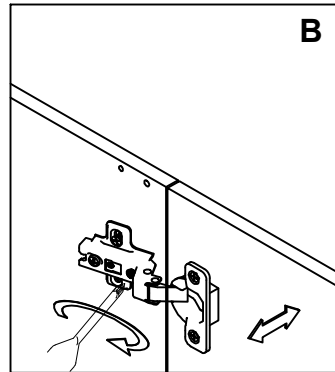
BELLINGHAM 2 DOOR WARDROBE

STEP 8

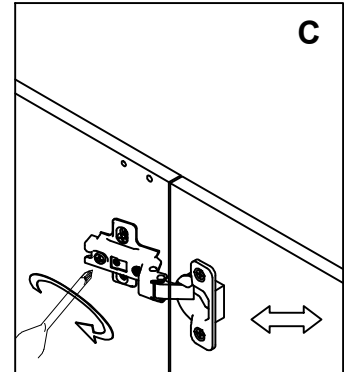
HINGES ADJUSTMENT FACILITIES



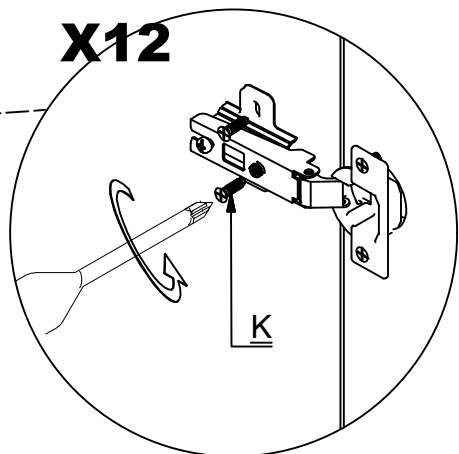
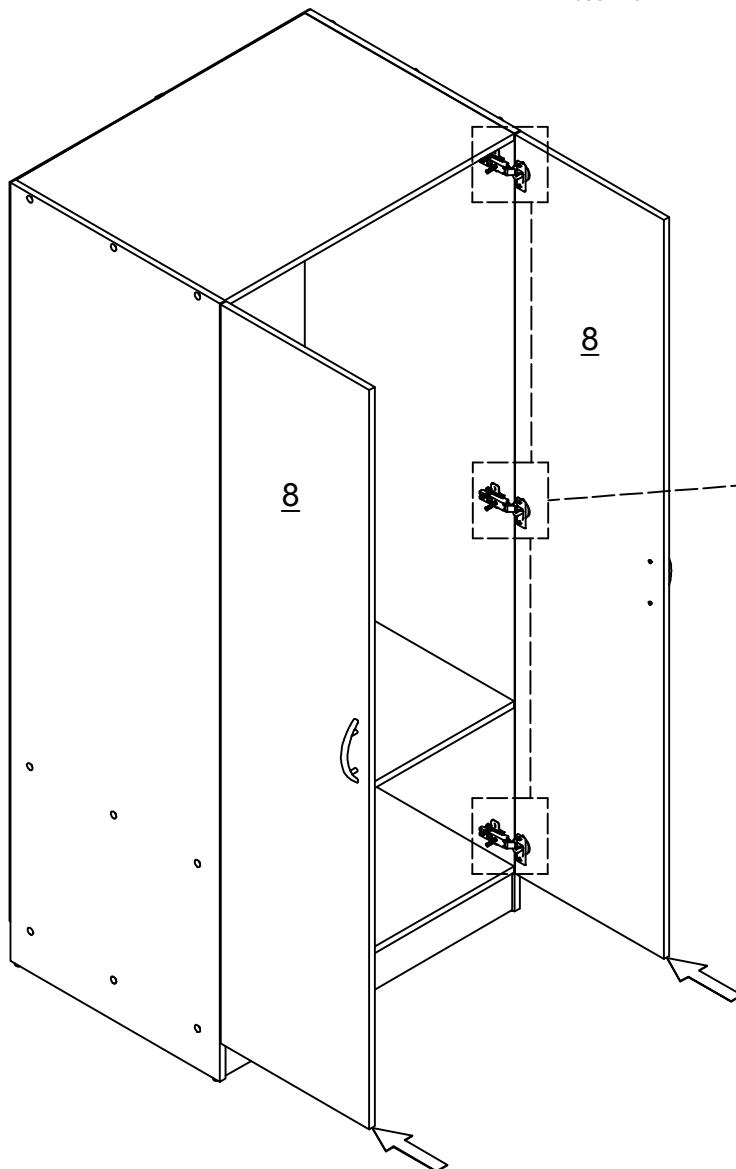
A) VERTICAL ADJUSTMENT VIA SLOT IN THE MOUNTING PLATE



B) LATERAL ADJUSTMENT BY SCREW ADJUSTING



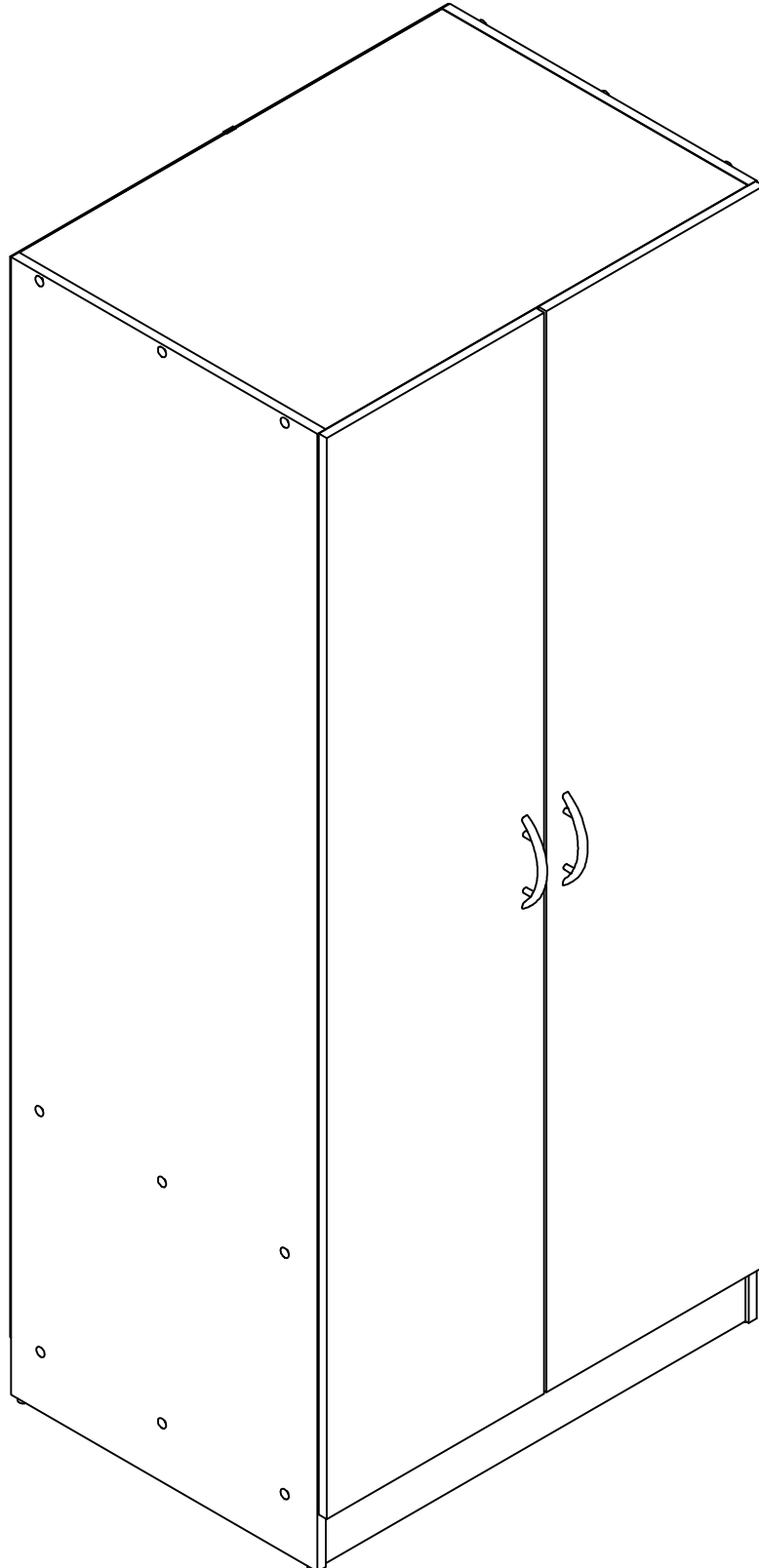
C) FRONT-TO-BACK BY THE SLACKING THE HINGE ARM MOUNTING SCREW



MODEL NAME:

BELLINGHAM 2 DOOR WARDROBE

STEP 9



WARNING

Serious or fatal injuries can occur from furniture tipping over. To prevent the furniture from tipping over we recommend that it is permanently fixed to the wall.

Wall fixings are not supplied with this product as different wall materials require different types of fixing devices. Please make sure you use fixings suitable for the walls in your home.

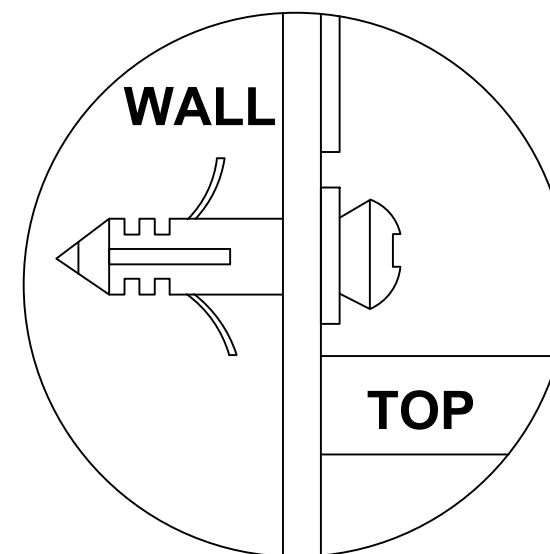
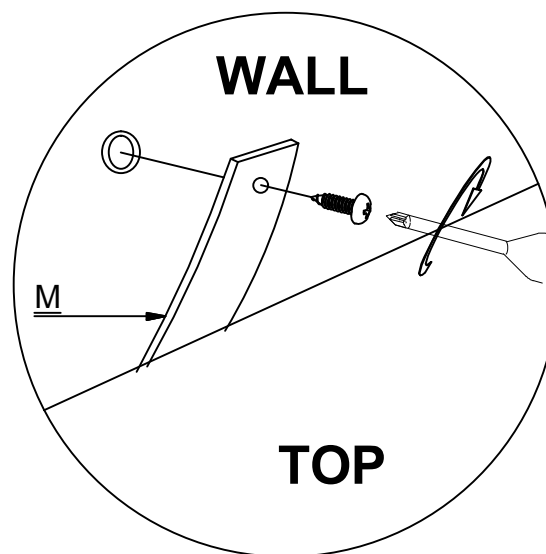
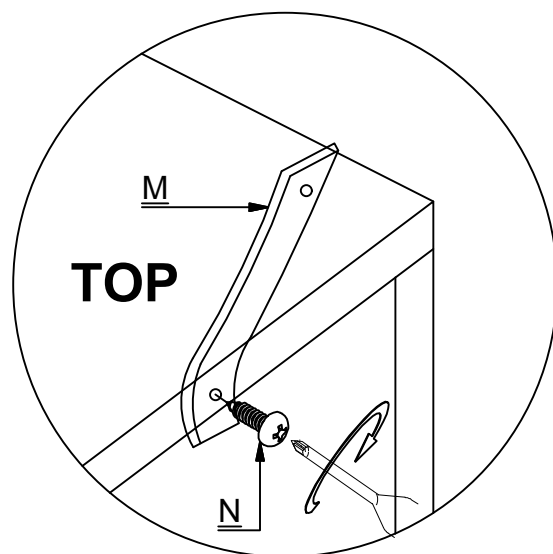
HARDWARE LIST



(M) Anti-Tip Strap - 2 pc



(N) M4 X 16MM - 2 pc



CAUTION : THE USE OF POWER TOOLS TO ASSEMBLE THIS PRODUCT WILL INVALIDATE ANY CLAIM AND MAY DAMAGE THIS PRODUCT MAKING IT UNSAFE.

