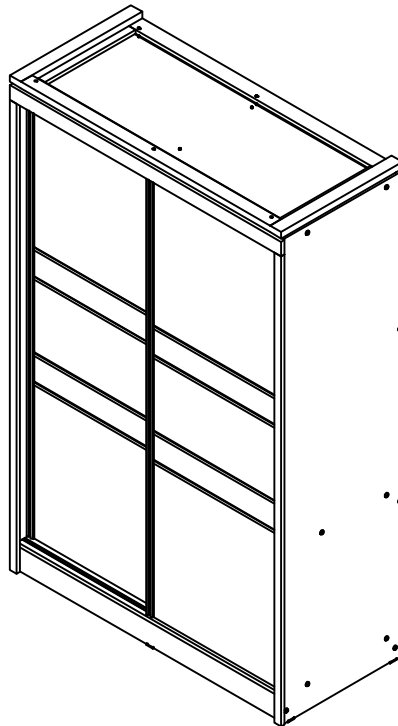


CHARLES 2 DOOR SLIDING WARDROBE

ASSEMBLY INSTRUCTIONS



IMPORTANT

FOR DOMESTIC USE ONLY

PLEASE READ BEFORE YOU CONTINUE FURTHER

THE PRODUCT YOU HAVE PURCHASED WILL GIVE YOU MANY YEARS OF SERVICE IF YOU FOLLOW THE GUIDELINES FOR ITS SAFE ASSEMBLY AND PERIODIC MAINTENANCE AND CLEANING.

ASSEMBLE ON A SOFT CLEAN SURFACE.

DO NOT USE ANY TOOLS OTHER THAN THOSE SHOWN.

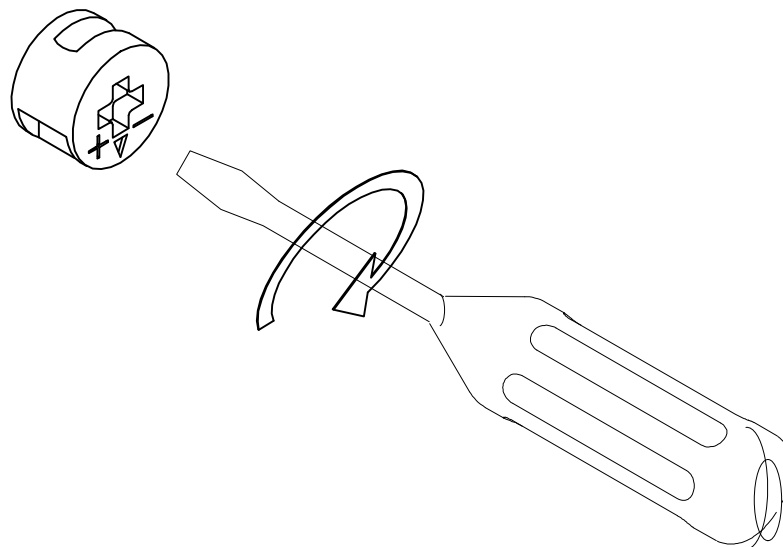
ANY SPANNERS OR ALLEN KEYS REQUIRED ARE INCLUDED WITH THE FITTINGS KIT.

DO NOT FOR ANY REASON USE A POWER TOOL TO ASSEMBLE THIS PRODUCT. ITS USE WILL INVALIDATE ANY CLAIM YOU MAY HAVE AND COULD MAKE THIS PRODUCT UNSAFE.

DEPENDING ON THE AMOUNT OF USE THIS PRODUCT RECEIVES IT MAY BE NECESSARY TO TIGHTEN UP THE FIXINGS FROM TIME TO TIME. THIS IS COMPLETELY NORMAL FOR ANY FLAT PACK FURNITURE. DO NOT OVERTIGHTEN FIXING.

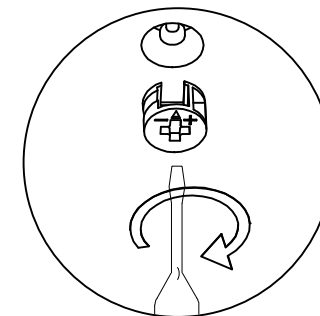
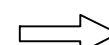
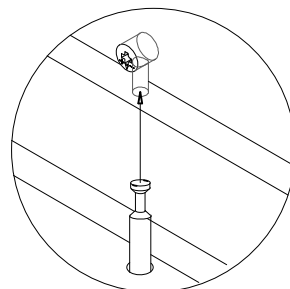
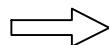
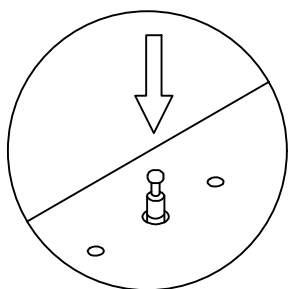
FOR CLEANING, YOU MAY USE A DAMP CLOTH (NOT WET) DO NOT USE POLISH, DETERGENT OR CHEMICAL CLEANERS.

THE SURFACE OF THIS ITEM IS NOT HEAT RESISTANT. ALWAYS USE A PLACE MAT UNDER HOT OR COLD ITEMS TO PREVENT MARKING.



(SCREWDRIVER NOT PROVIDED)

USE A FLAT HEAD SCREWDRIVER TO TIGHTEN THE CAM NUTS. A QUARTER TURN CLOCKWISE IS ALL THAT IS NEEDED.

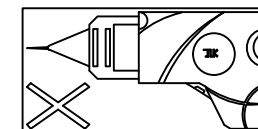


STEP 1 - PUSH CAM BOLT INTO INSERT

STEP 2 - ALIGN THE CAM BOLT WITH THE HOLE AND PUSH TOGETHER UNTIL FLUSH. (MAKE SURE THE ARROW OF CAM LOCK IS POINTING TOWARD THE HOLE ON EDGE OF PANEL.)

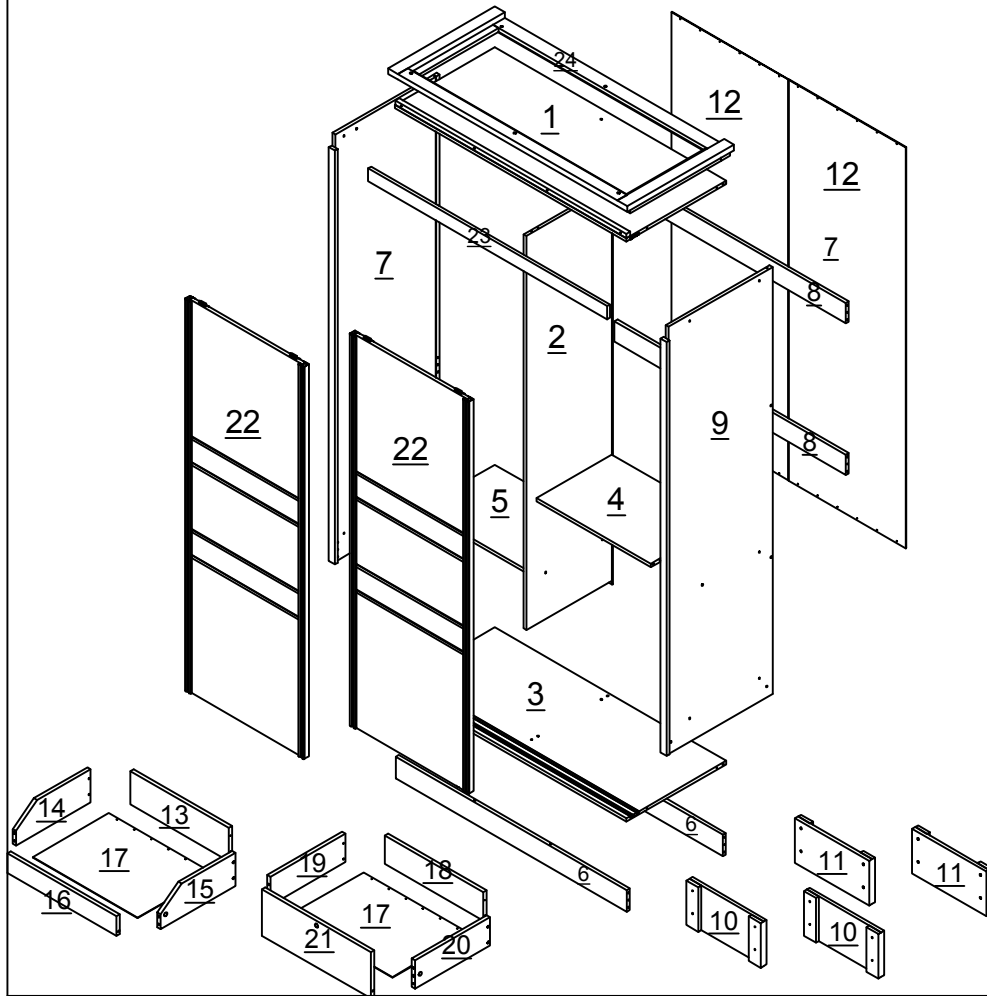
STEP 3 - THE HEAD OF THE BOLT GOES INTO THE WIDE MOUTH OF THE CAM LOCK. YOU THEN TURN THE LOCK SO THE NARROW PART CLOSES OVER THE BOLT.

! CAUTION : THE USE OF POWER TOOLS TO ASSEMBLE THIS PRODUCT WILL INVALIDATE. ANY CLAIM AND MAY DAMAGE THIS PRODUCT MAKING IT UNSAFE.



PARTS LIST

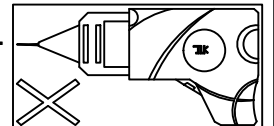
PLEASE CHECK THAT YOU HAVE ALL THE PARTS LISTED BEFORE YOU START ASSEMBLING. IF YOU DO FIND THAT SOMETHING IS MISSING, DO NOT CONTINUE ASSEMBLY, PLEASE CONTACT YOUR SUPPLIER IMMEDIATELY.






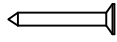
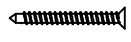



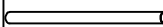




PARTS LIST








1	TOP PANEL	1 PC
2	INNER PANEL	1 PC
3	BASE PANEL	1 PC
4	RIGHT HAND SHELF	1 PC
5	LEFT HAND SHELF	1 PC
6	BASE CROSSBARS	2 PCS
7	LEFT SIDE PANEL	1 PC
8	BACK CENTRE CROSSBARS	2 PCS
9	RIGHT SIDE PANEL	1 PC
10	LEFT INNER SIDE FRAME	2 PCS
11	RIGHT INNER SIDE FRAME	2 PCS
12	BACK PANEL	2 PCS
13	DRAWER BACK 1	1 PC
14	DRAWER SIDE - LEFT 1	1 PC
15	DRAWER SIDE - RIGHT 1	1 PC
16	DRAWER FRONT 1	1 PC
17	DRAWER BASE	2 PCS
18	DRAWER BACK 2	1 PC
19	DRAWER SIDE - LEFT 2	1 PC
20	DRAWER SIDE - RIGHT 2	1 PC
21	DRAWER FRONT 2	1 PC
22	DOOR	2 PCS
23	TOP APRON	1 PC
24	TOP FRAME	1 PC

! CAUTION: THE USE OF POWER TOOLS TO ASSEMBLE THIS PRODUCT WILL INVALIDATE. ANY CLAIM AND MAY DAMAGE THIS PRODUCT MAKING IT UNSAFE.

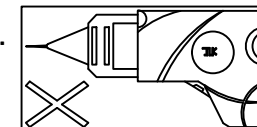


HARDWARE LIST

A		DOWEL 6 X 30MM	46 PCS
B		BOLT M6 X 50MM	24 PCS
C		SCREW M3.5 X 16MM	18 PCS
D		TACK	36 PCS
E		SCREW M4 X 38MM	24 PCS
F		SCREW 4 X 45MM	6 PCS
G		DRAWER LOCK	1 PC
H		HANGING RAIL SUPPORT	4 PCS
I		HANGING RAIL	2 PCS
J		PLASTIC H STRIP	1 PC
K		SCREW M3.5 X 12MM	24 PCS
L		PVC LEG	6 PCS
M		DRAWER RUNNER A	4 PCS

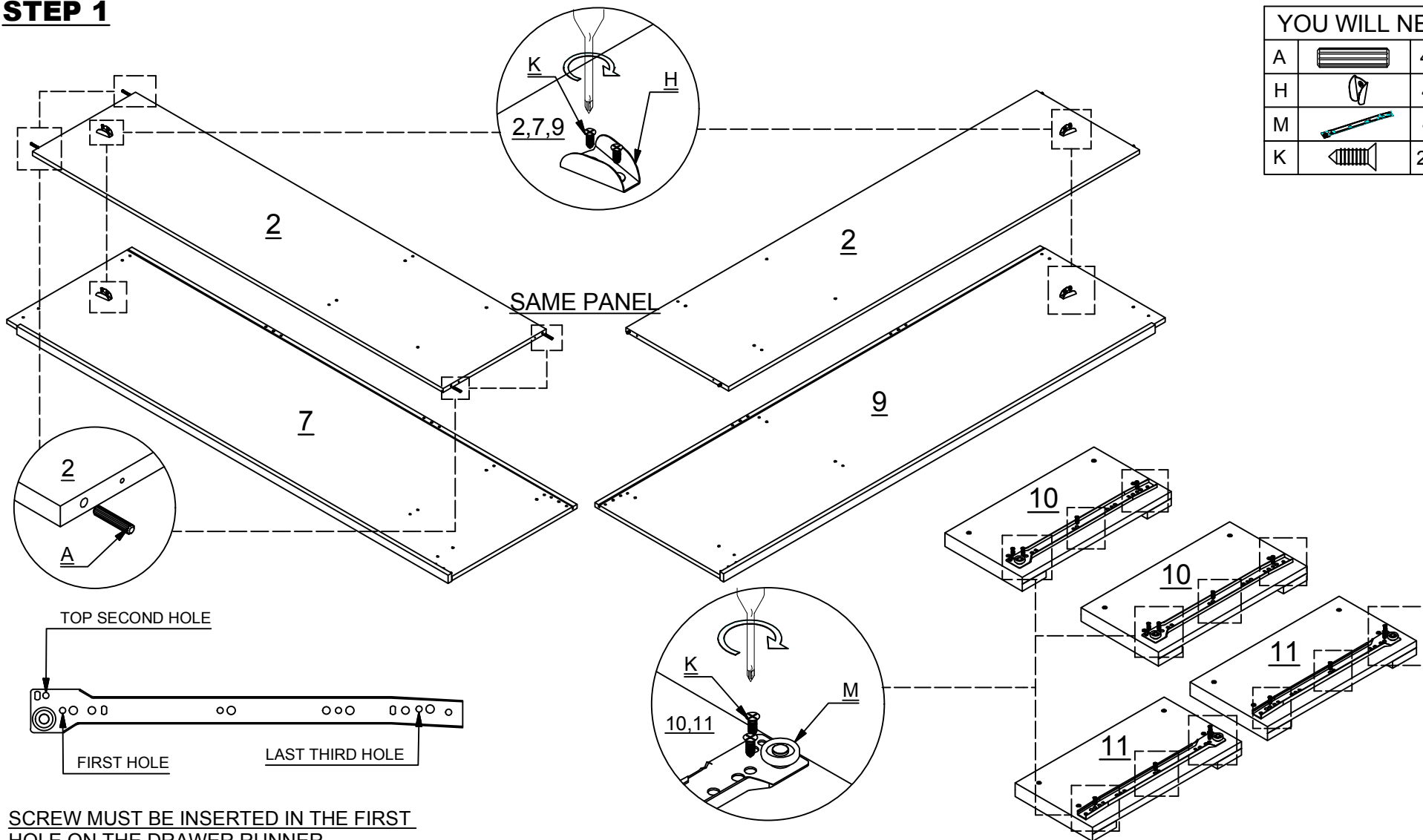
N		DRAWER RUNNER B	4 PCS
O		ALLEN KEY	1 PC
P		SCREW M4 X 30MM	4 PCS
Q		SCREW M4 X 50MM	4 PCS
R		CAM BOLT + CAM NUT	4 SETS
S		ANTI - TIP STRAP	2 PCS
T		SCREW M4 X 16MM	2 PCS

! **CAUTION:** THE USE OF POWER TOOLS TO ASSEMBLE THIS PRODUCT WILL INVALIDATE. ANY CLAIM AND MAY DAMAGE THIS PRODUCT MAKING IT UNSAFE.



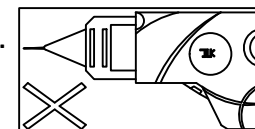
STEP 1

YOU WILL NEED:-		
A		4 PCS
H		4 PCS
M		4 PCS
K		24 PCS



SCREW MUST BE INSERTED IN THE FIRST HOLE ON THE DRAWER RUNNER

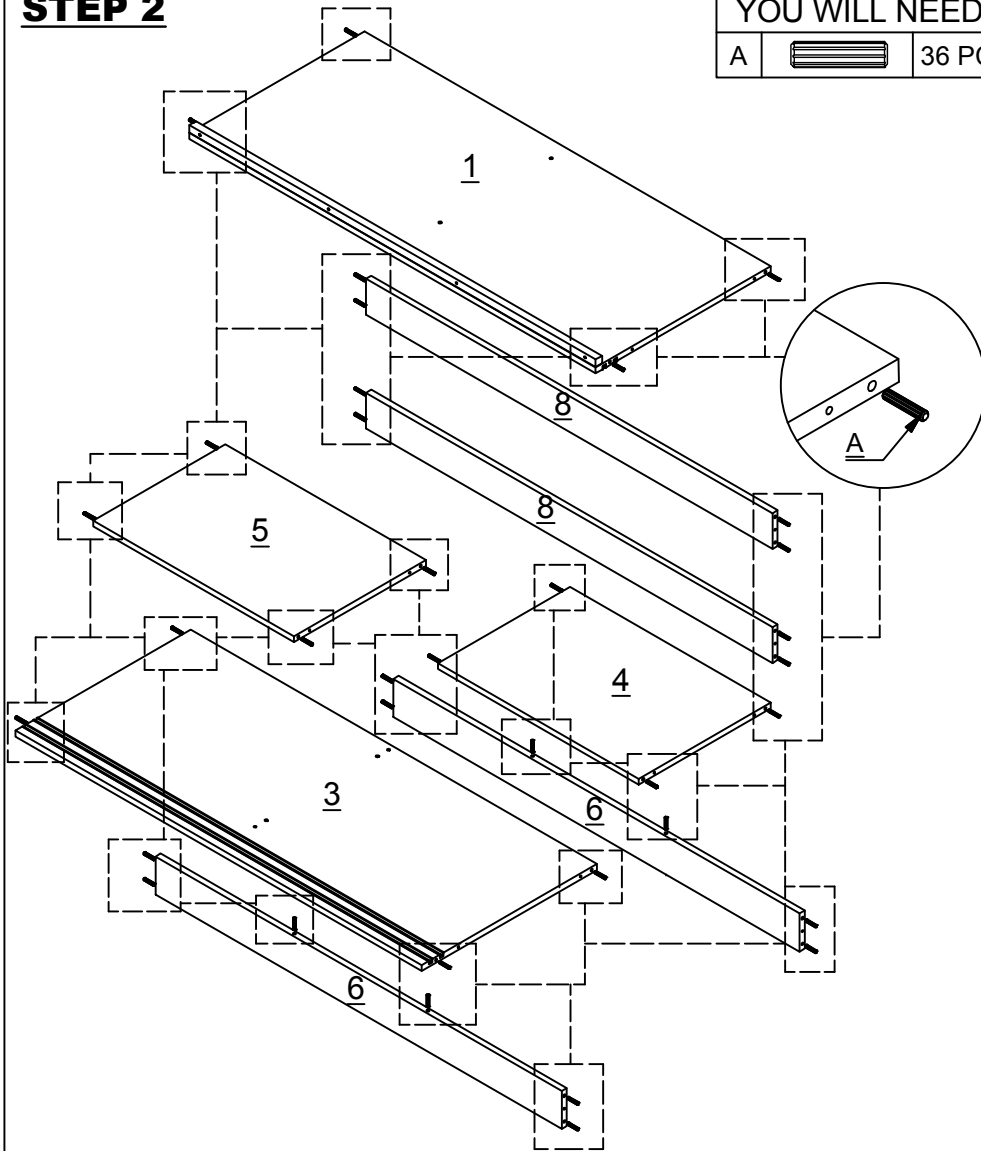
! CAUTION: THE USE OF POWER TOOLS TO ASSEMBLE THIS PRODUCT WILL INVALIDATE. ANY CLAIM AND MAY DAMAGE THIS PRODUCT MAKING IT UNSAFE.



STEP 2

YOU WILL NEED:-

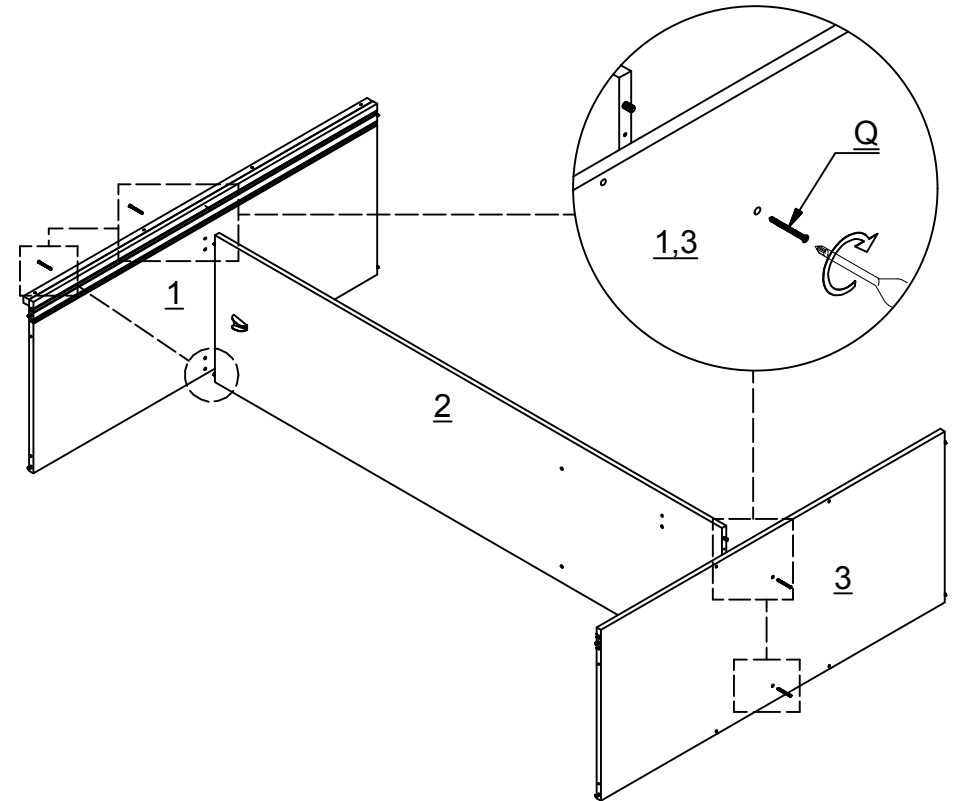
A  36 PCS



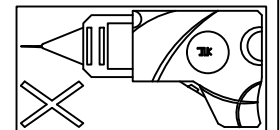
STEP 3 FRONT SIDE VIEW

YOU WILL NEED:-

Q  4 PCS





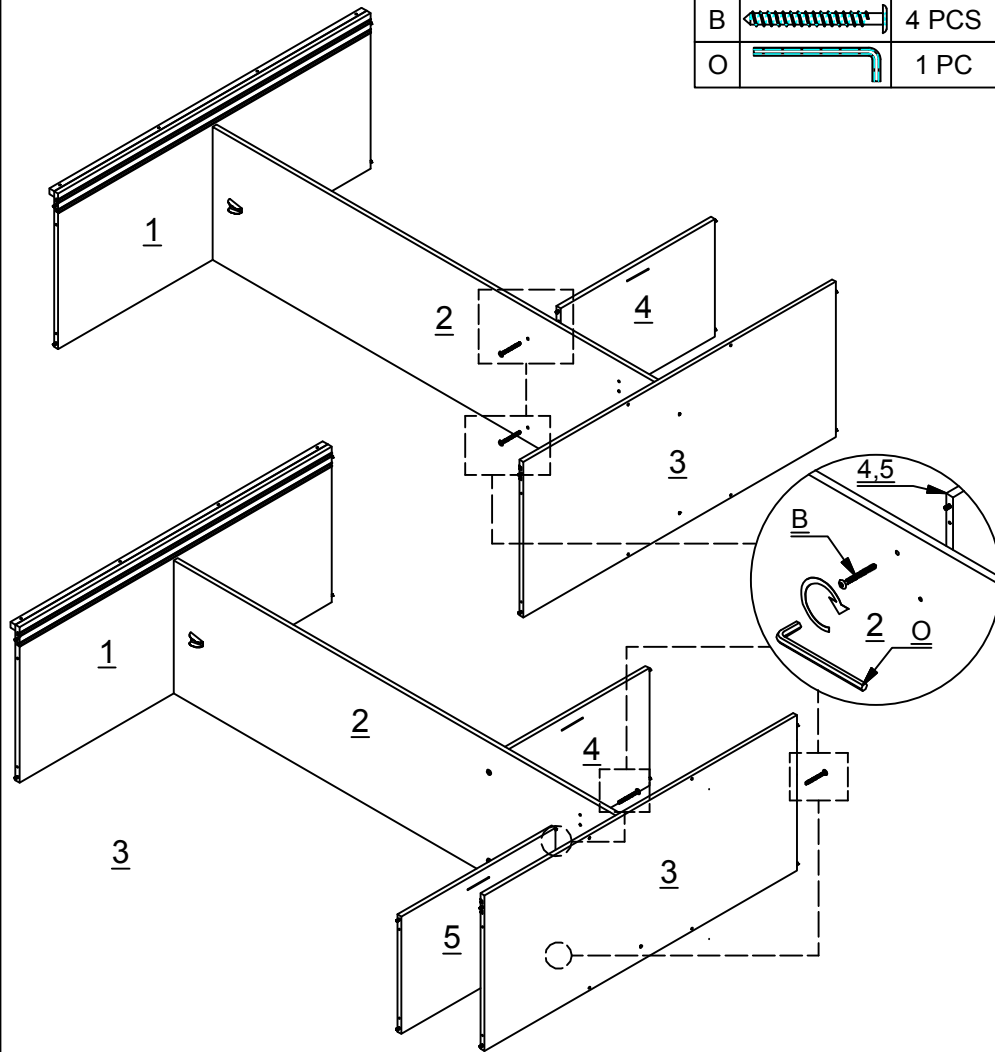
! CAUTION: THE USE OF POWER TOOLS TO ASSEMBLE THIS PRODUCT WILL INVALIDATE. ANY CLAIM AND MAY DAMAGE THIS PRODUCT MAKING IT UNSAFE.



STEP 4



YOU WILL NEED:-

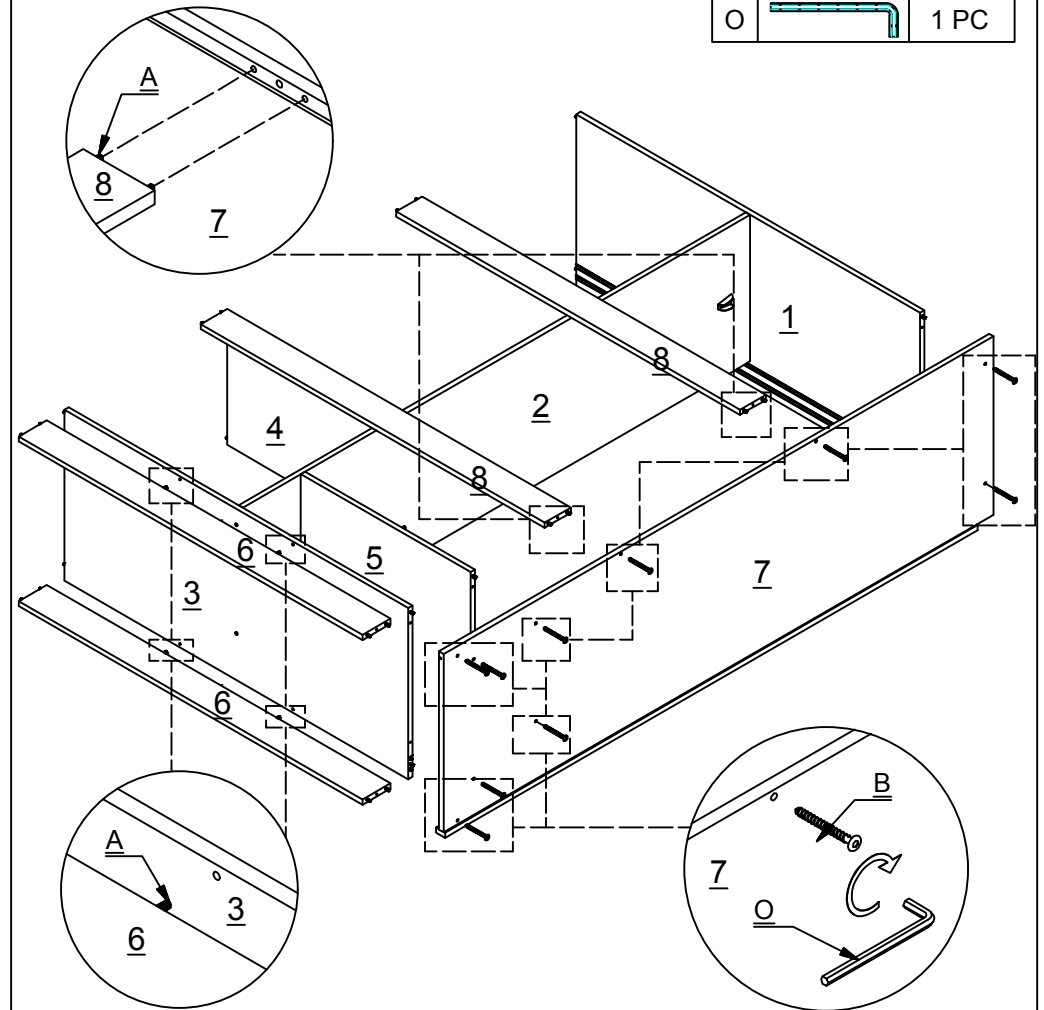
B		4 PCS
O		1 PC



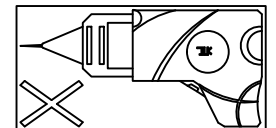
STEP 5 BACK SIDE VIEW

YOU WILL NEED:-

B		10 PCS
O		1 PC





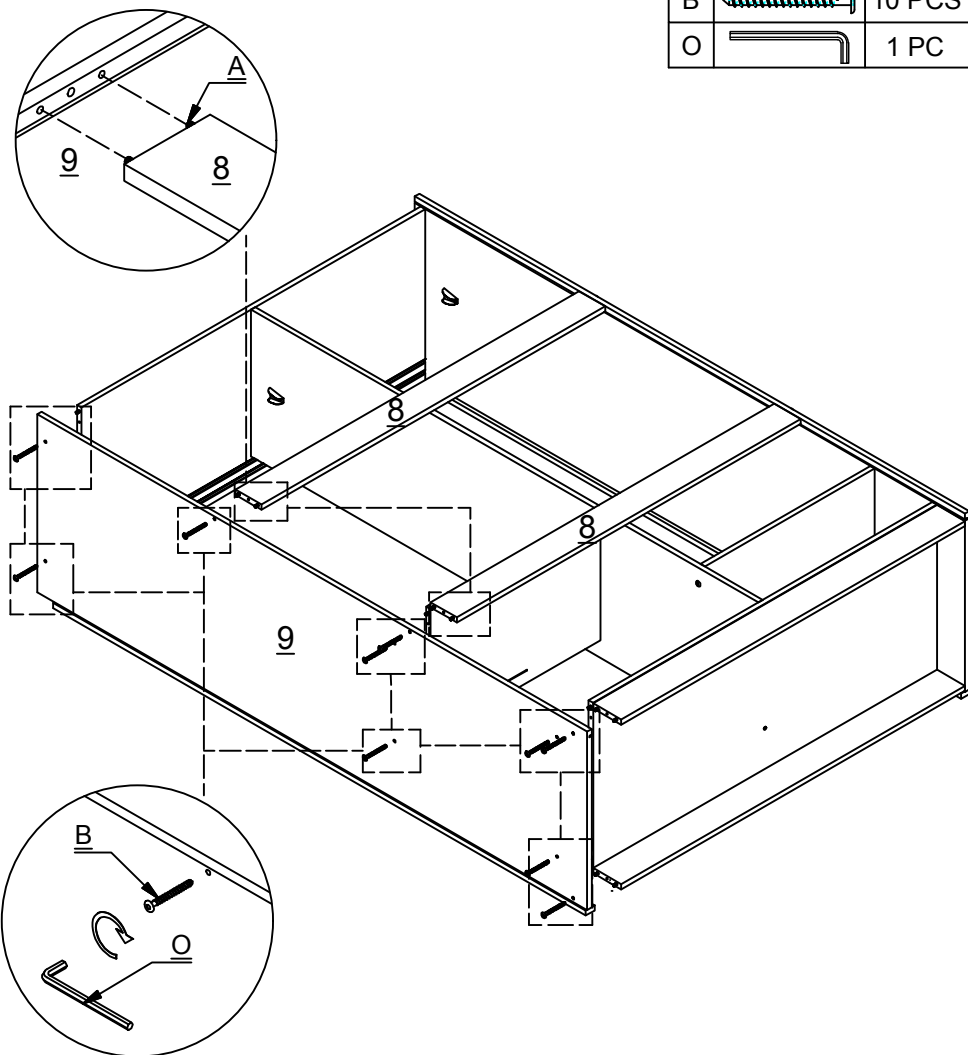
! **CAUTION:** THE USE OF POWER TOOLS TO ASSEMBLE THIS PRODUCT WILL INVALIDATE. ANY CLAIM AND MAY DAMAGE THIS PRODUCT MAKING IT UNSAFE.



STEP 6

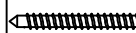
YOU WILL NEED:-

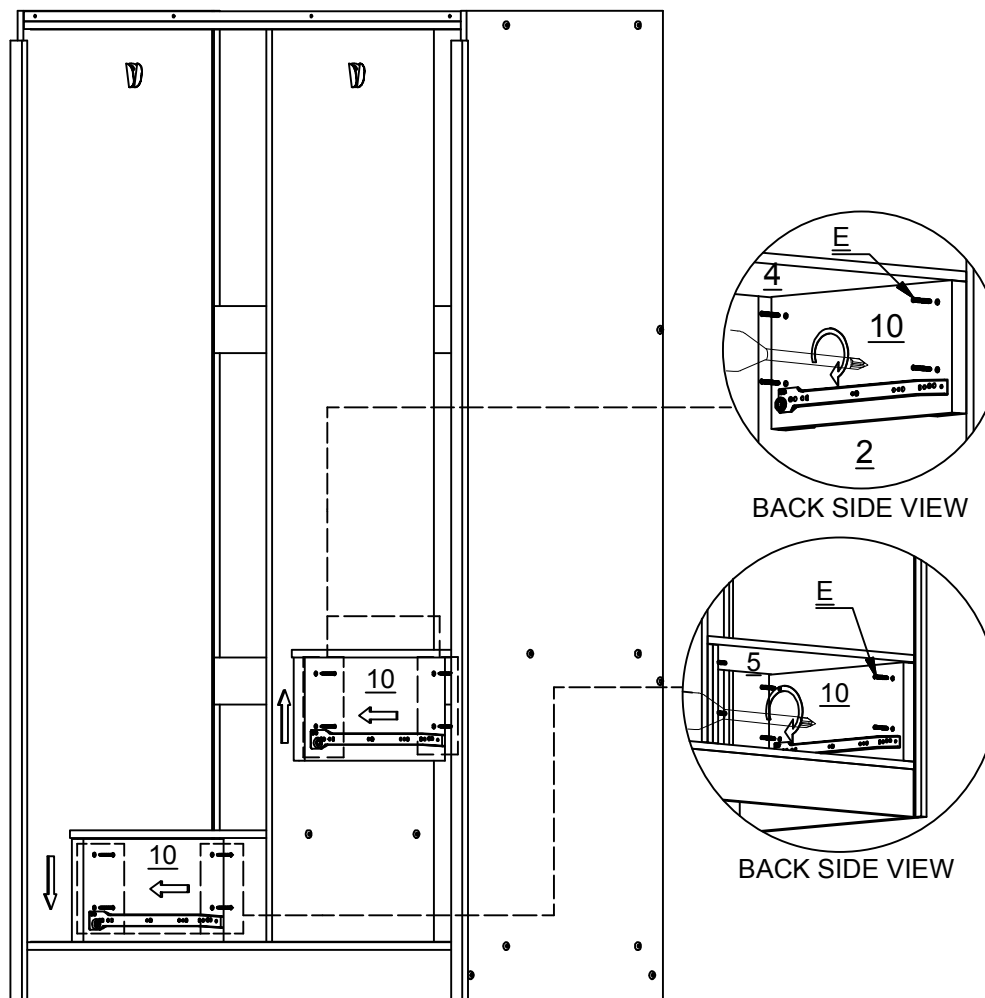
B		10 PCS
O		1 PC



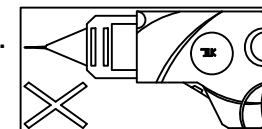
STEP 7

YOU WILL NEED:-

E		8 PCS
---	---	-------

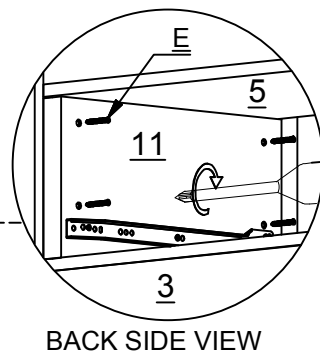
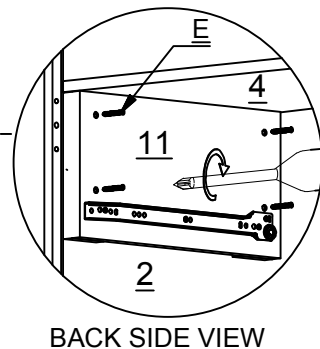
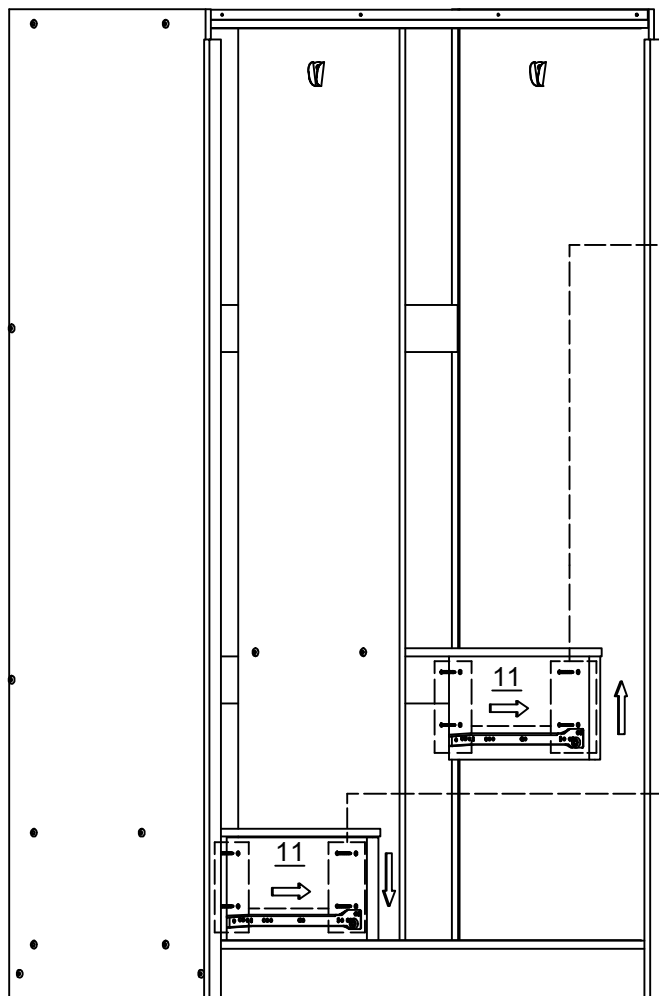


! **CAUTION:** THE USE OF POWER TOOLS TO ASSEMBLE THIS PRODUCT WILL INVALIDATE. ANY CLAIM AND MAY DAMAGE THIS PRODUCT MAKING IT UNSAFE.


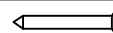




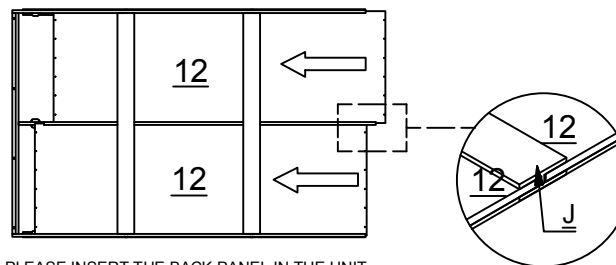
STEP 8

YOU WILL NEED:-
E  8 PCS

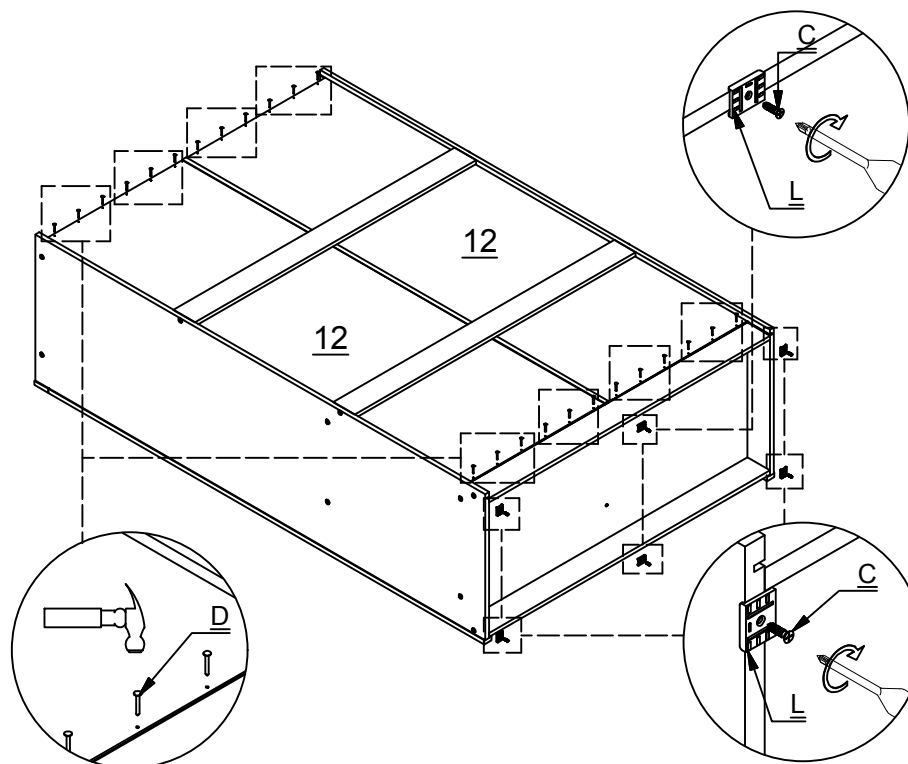


STEP 9

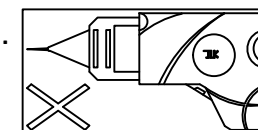
YOU WILL NEED:-
C  6 PCS
D  24 PCS
J  1 PC
L  6 PCS



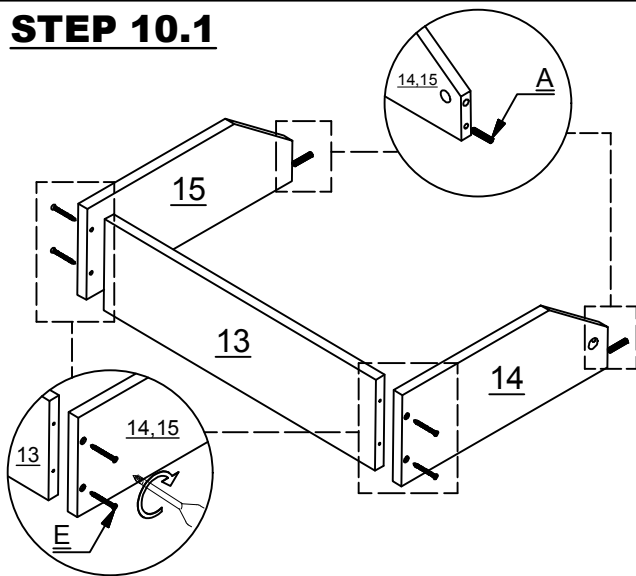
PLEASE INSERT THE BACK PANEL IN THE UNIT



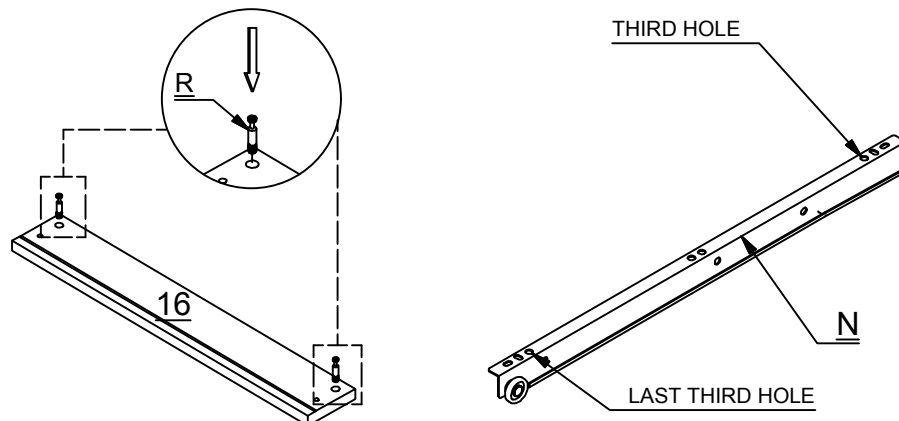
! **CAUTION:** THE USE OF POWER TOOLS TO ASSEMBLE THIS PRODUCT WILL INVALIDATE. ANY CLAIM AND MAY DAMAGE THIS PRODUCT MAKING IT UNSAFE.



STEP 10.1



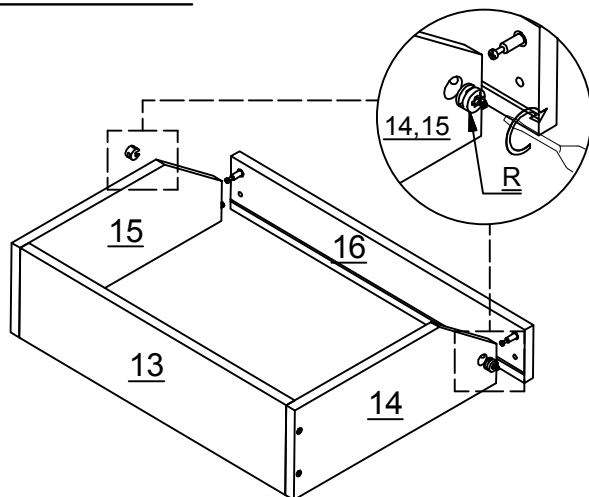
STEP 10.2



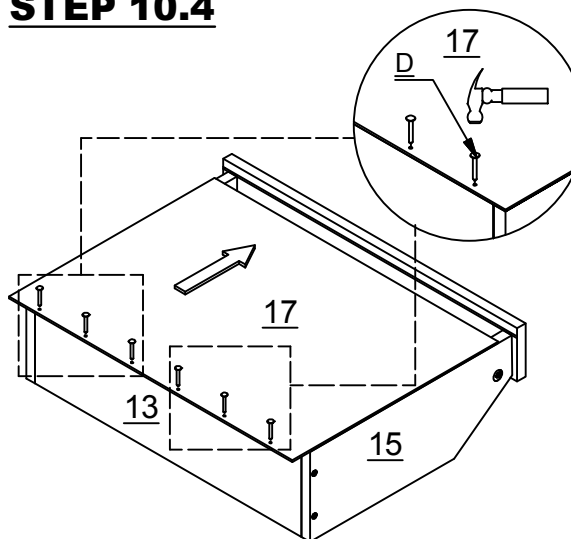
YOU WILL NEED:-

A		2 PCS
C		6 PCS
D		6 PCS
E		4 PCS
N		2 PCS
R		2 SETS

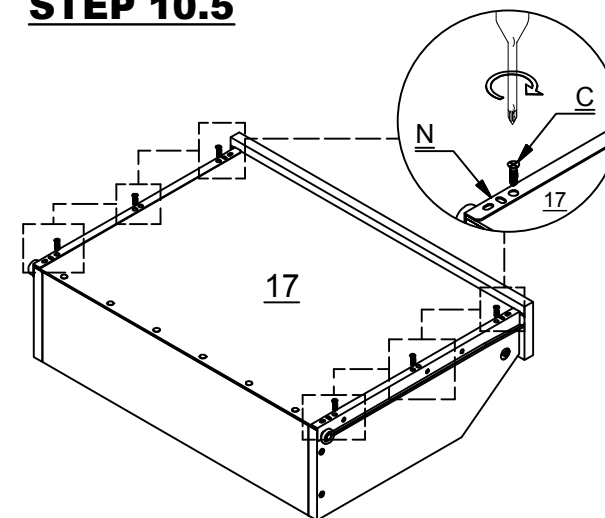
STEP 10.3



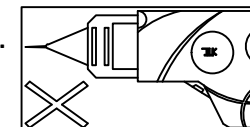
STEP 10.4



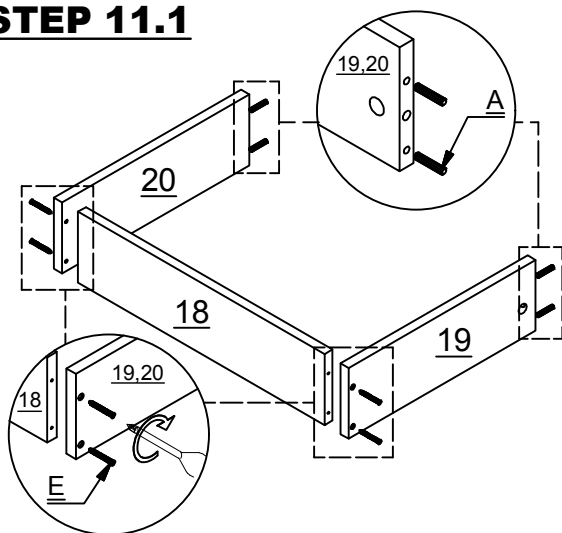
STEP 10.5



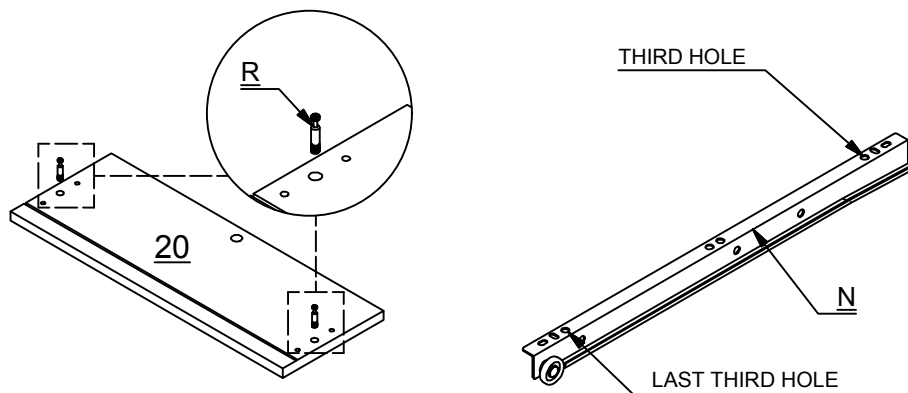
! **CAUTION:** THE USE OF POWER TOOLS TO ASSEMBLE THIS PRODUCT WILL INVALIDATE. ANY CLAIM AND MAY DAMAGE THIS PRODUCT MAKING IT UNSAFE.



STEP 11.1



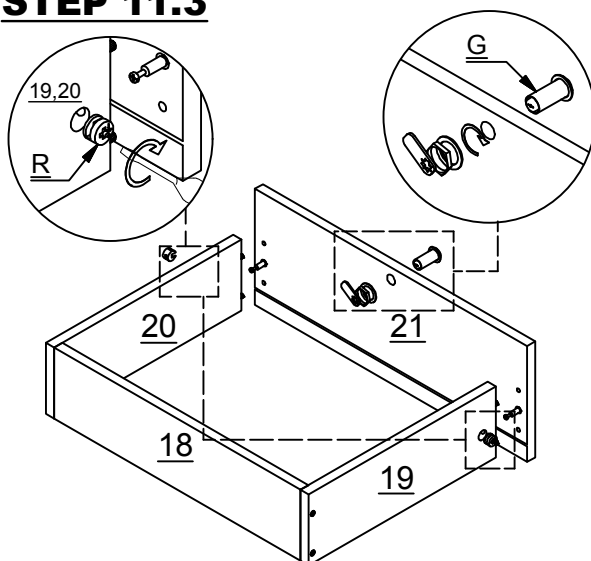
STEP 11.2



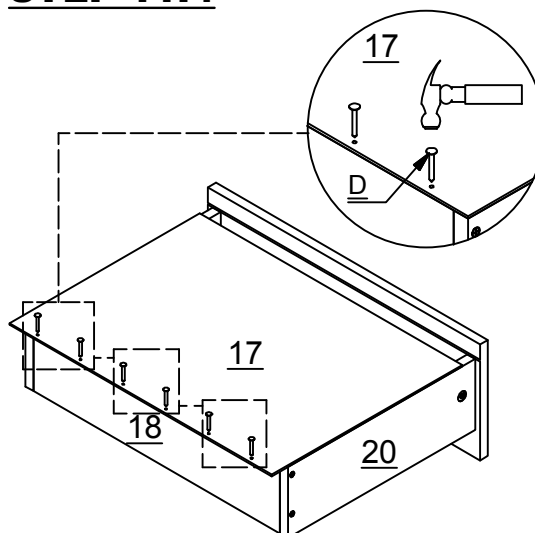
YOU WILL NEED:-

A		4 PCS
C		6 PCS
D		6 PCS
E		4 PCS
G		1 PC
N		2 PCS
R		2 SETS

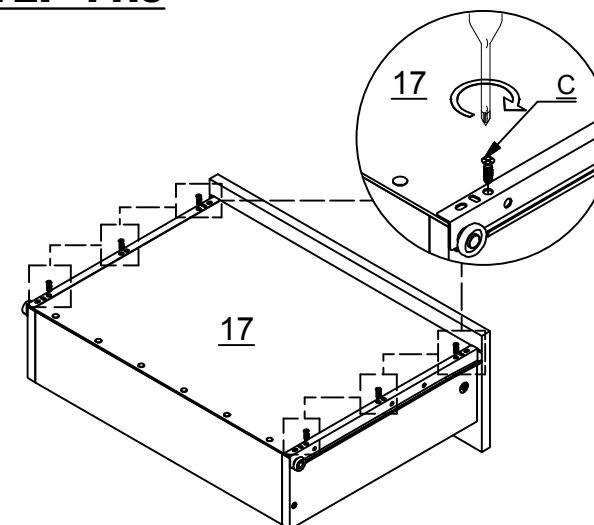
STEP 11.3



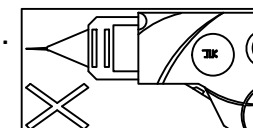
STEP 11.4



STEP 11.5

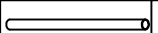
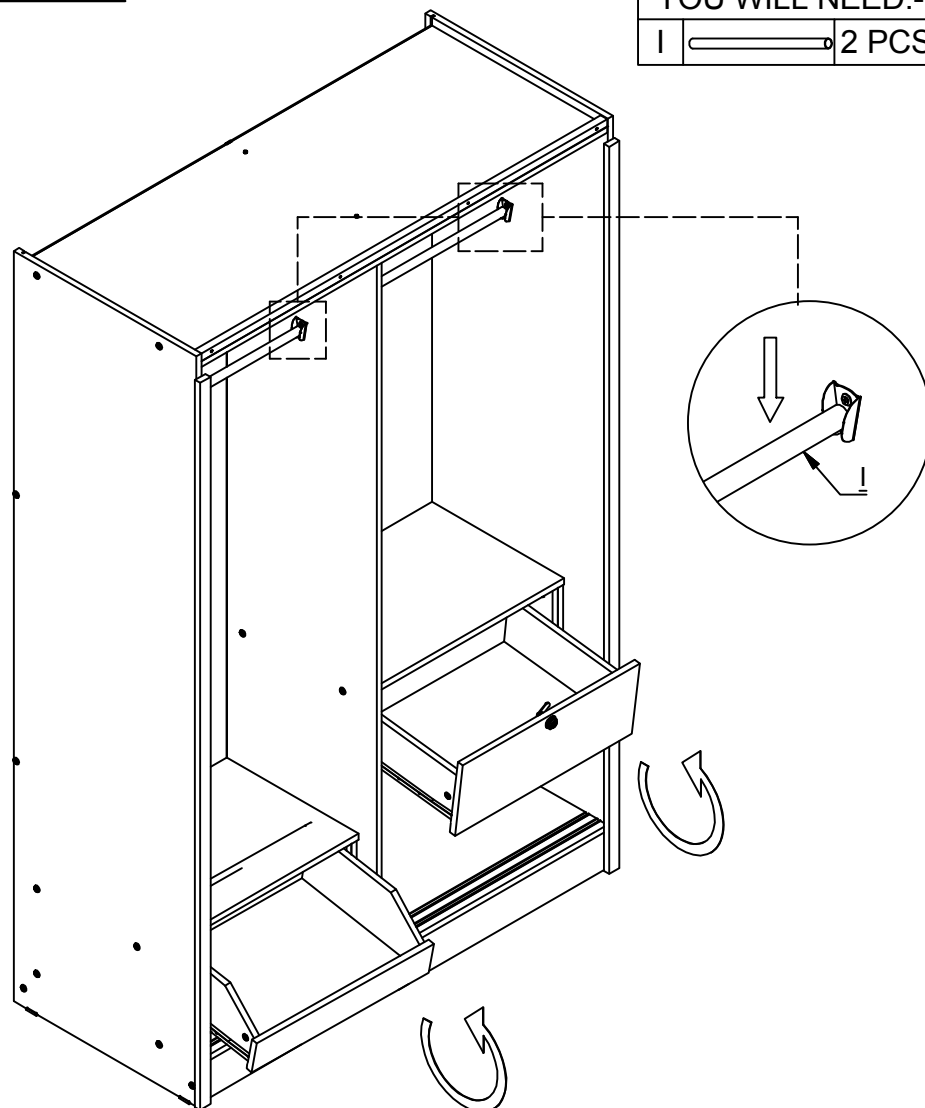
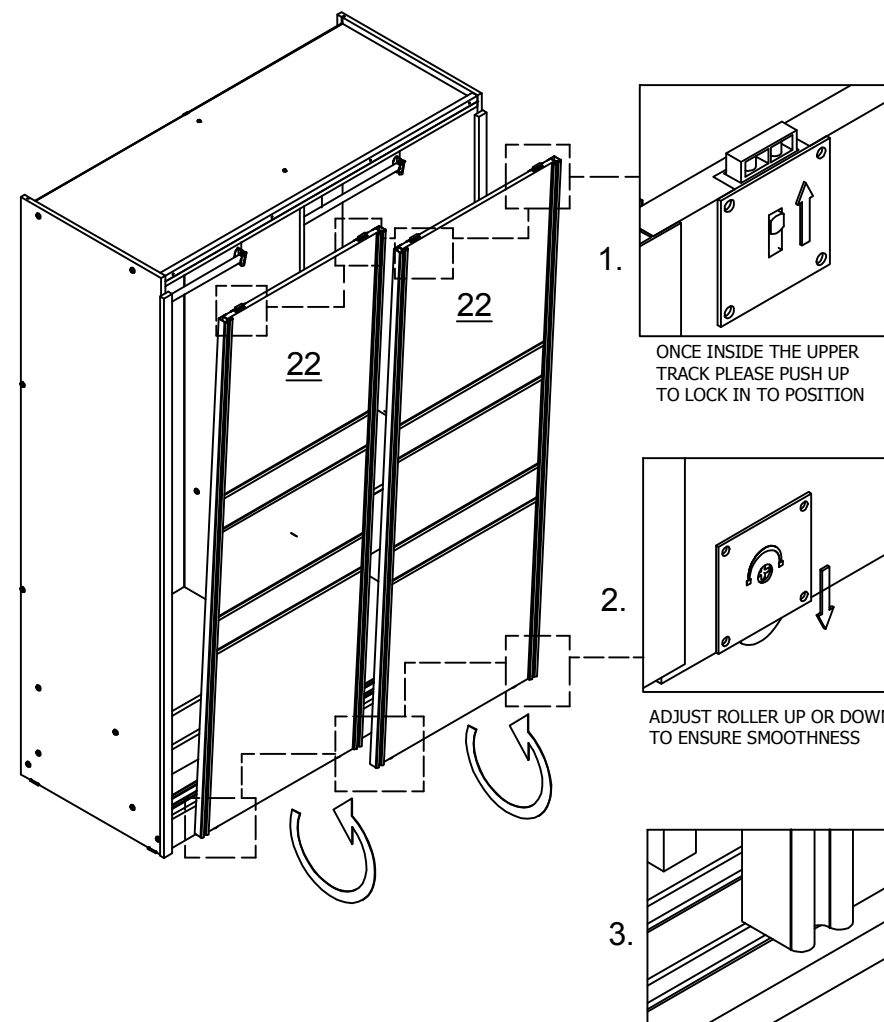


! **CAUTION:** THE USE OF POWER TOOLS TO ASSEMBLE THIS PRODUCT WILL INVALIDATE ANY CLAIM AND MAY DAMAGE THIS PRODUCT MAKING IT UNSAFE.

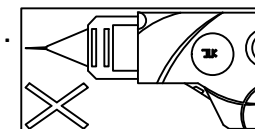


STEP 12

YOU WILL NEED:-

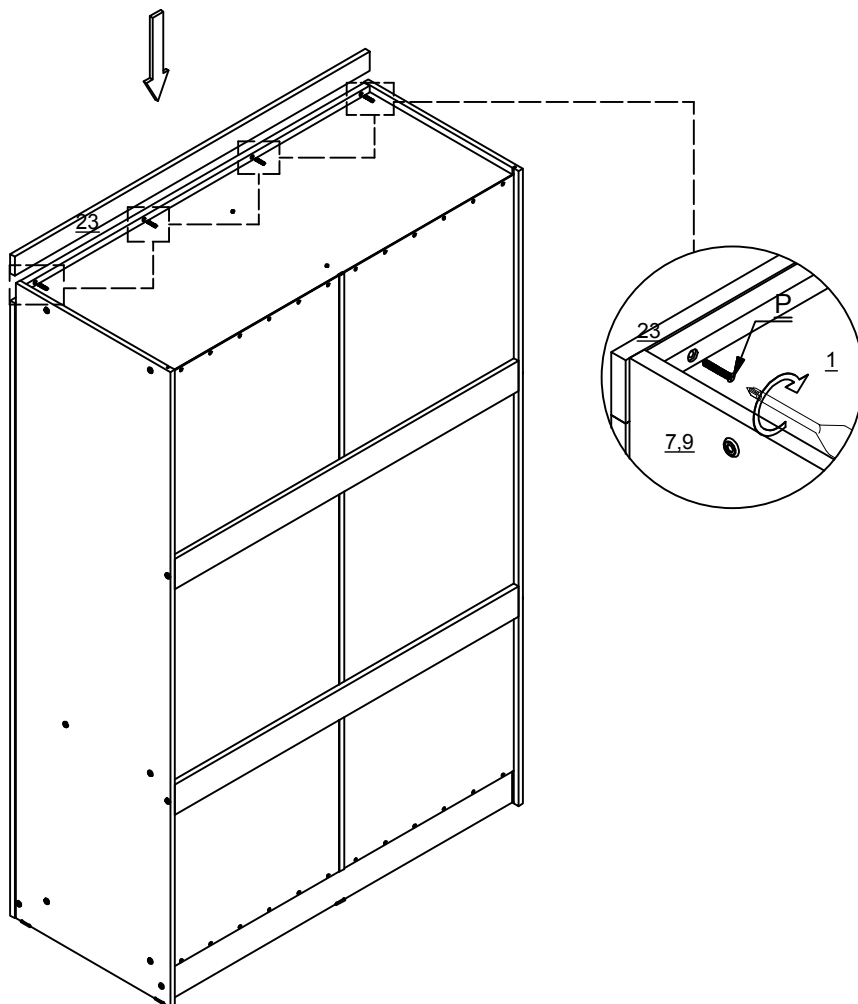
1  2 PCS**STEP 13**

! **CAUTION:** THE USE OF POWER TOOLS TO ASSEMBLE THIS PRODUCT WILL INVALIDATE ANY CLAIM AND MAY DAMAGE THIS PRODUCT MAKING IT UNSAFE.

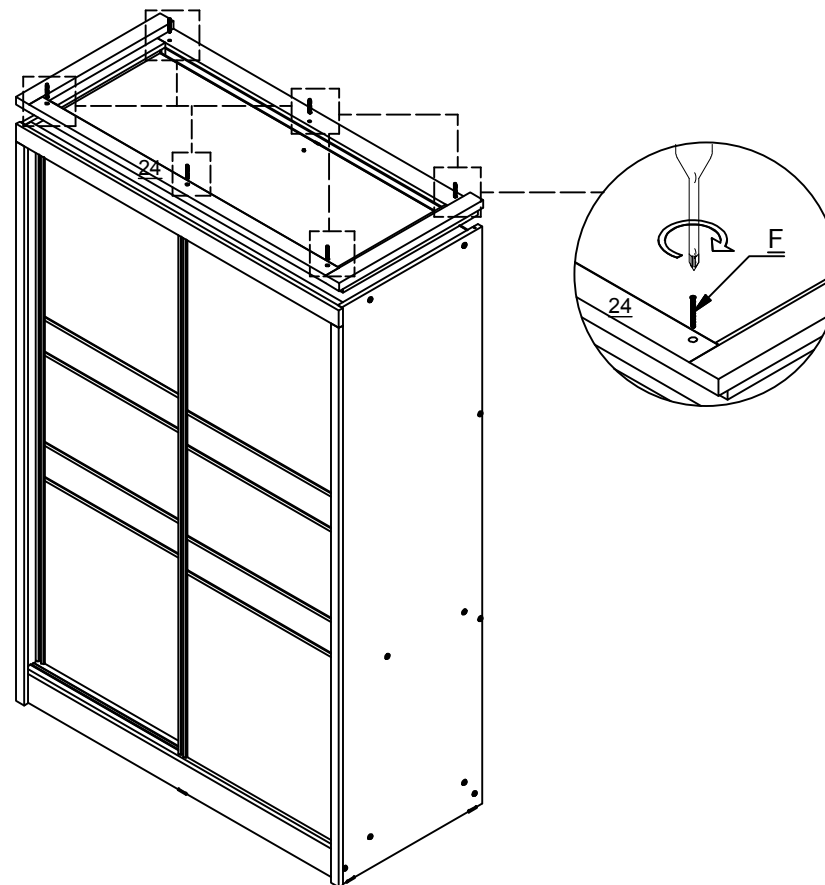


STEP 14

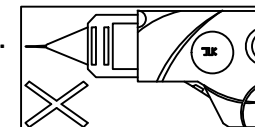
YOU WILL NEED:-
 P  4 PCS

**STEP 15**

YOU WILL NEED:-
 F  6 PCS



! **CAUTION:** THE USE OF POWER TOOLS TO ASSEMBLE THIS PRODUCT WILL INVALIDATE. ANY CLAIM AND MAY DAMAGE THIS PRODUCT MAKING IT UNSAFE.



WARNING

Serious or fatal injuries can occur from furniture tipping over. To prevent the furniture from tipping over we recommend that it is permanently fixed to the wall.

Wall fixings are not supplied with this product as different wall materials require different types of fixing devices. Please make sure you use fixings suitable for the walls in your home.

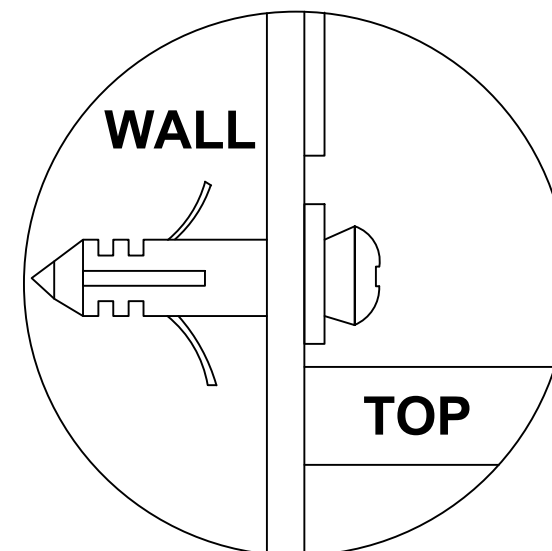
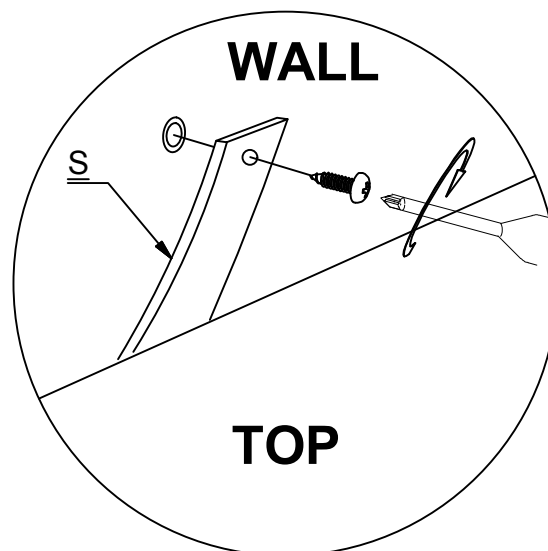
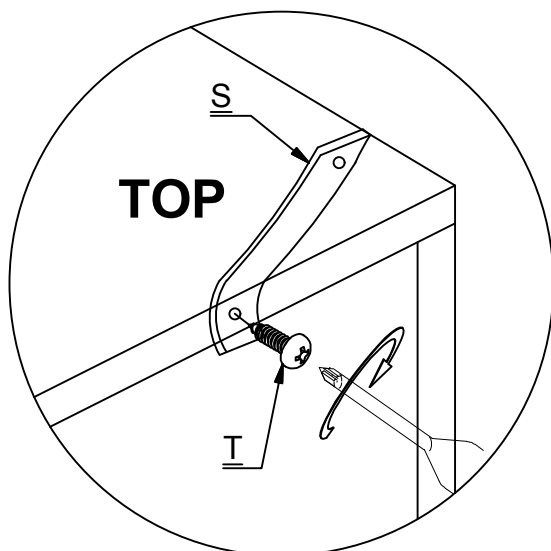
HARDWARE LIST



(S) Anti-Tip Strap - 2 pcs



(T) M4 X 16MM - 2 pcs



! **CAUTION:** THE USE OF POWER TOOLS TO ASSEMBLE THIS PRODUCT WILL INVALIDATE ANY CLAIM AND MAY DAMAGE THIS PRODUCT MAKING IT UNSAFE.

