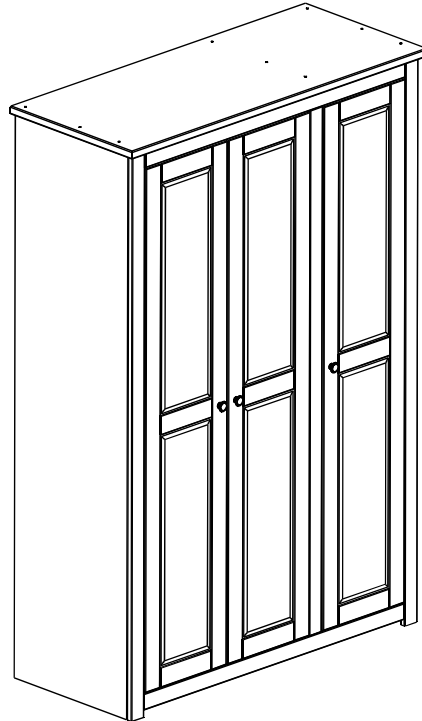


56755(MY)

# NATURAL WAX PANAMA 3 DOOR WARDROBE ASSEMBLY INSTRUCTIONS



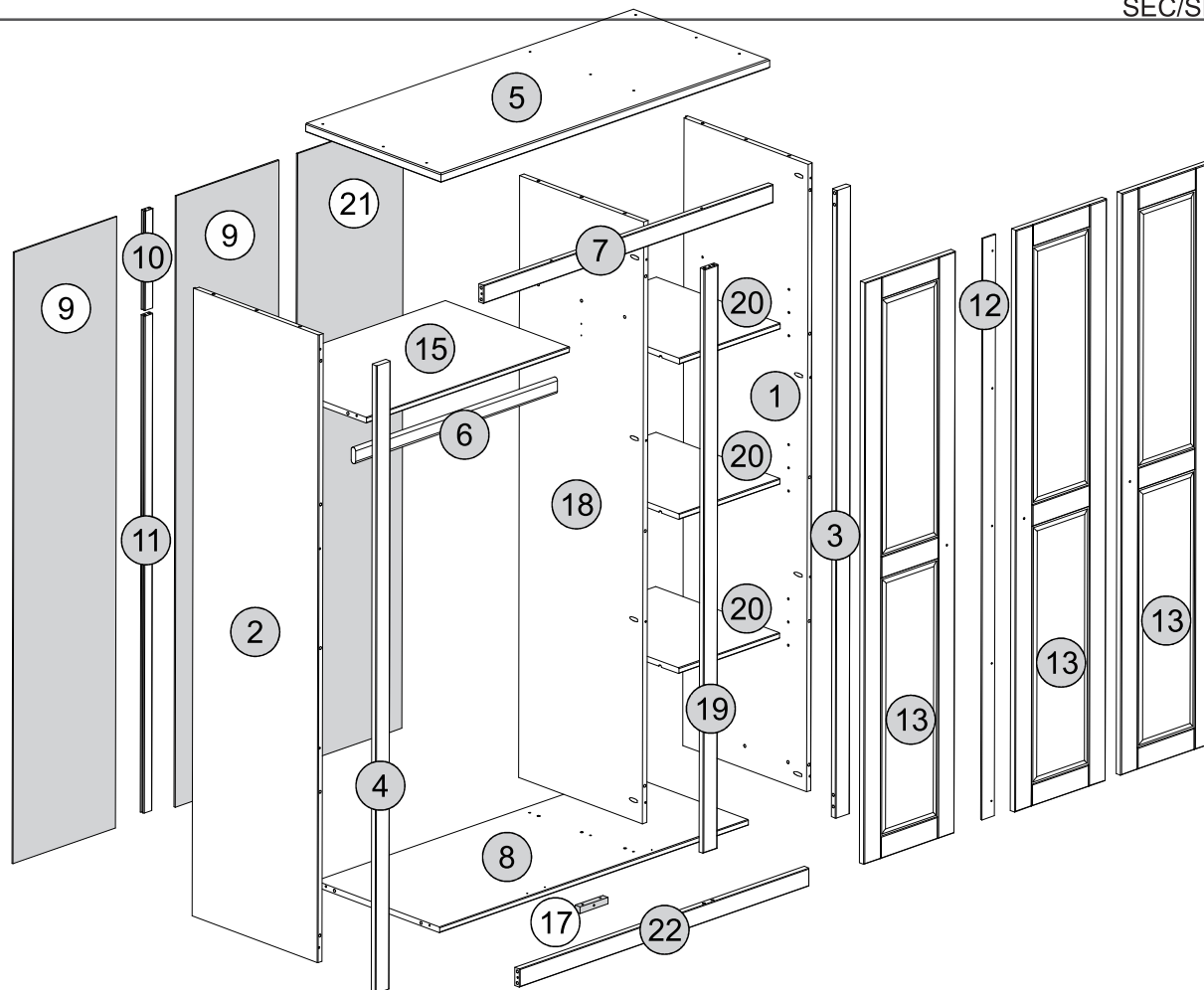
## IMPORTANT FOR DOMESTIC USE ONLY

PLEASE READ BEFORE YOU CONTINUE FURTHER

## CARE AND MAINTENANCE

After unpacking this product please keep the original packaging in case it needs to be returned for any reason.

- Please ensure all fittings and parts are present before commencing with assembly.
- Never drag or push products as this could cause damage to the joints making it inferior.
- We strongly recommend that you keep children away from your work area.
- We recommend that you lay a blanket or sheet on the floor to avoid damage to both your floor and the product.
- Assemble this product as close to its final position as possible.
- Do not place this product next to a radiator or in direct sunlight.
- Do not drag or push items across your high gloss furniture as this may cause the surface to scratch
- Wood is a natural product and may expand if subjected to damp and may shrink or crack if subjected to heat. Therefore it is recommended that room temperature is maintained, with no sudden temperature fluctuations.
- Make sure any spillage is wiped off immediately.
- Do not place hot or chilled items directly on to the surface, use a place mat or marking will occur.
- For general cleaning use a soft cotton or micro fibre cloth, and do not use detergents of any kind.
- From time to time it may be necessary to tighten fittings, regular inspections should be carried out.
- Do not place on a wet or damp floor as staining may occur to your floor.



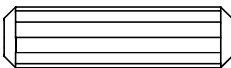
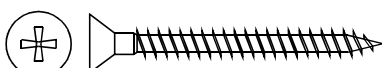




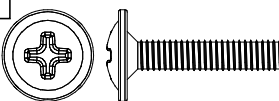
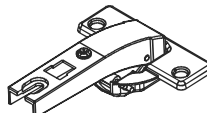
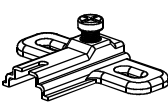
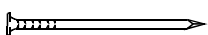

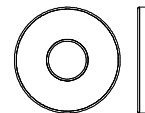
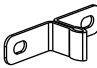

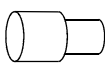
## PARTS LIST

***Please Note:***

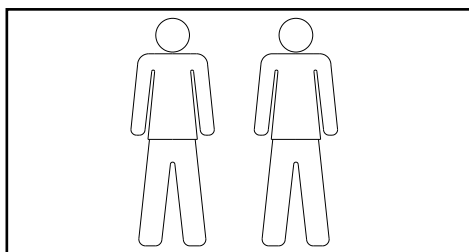
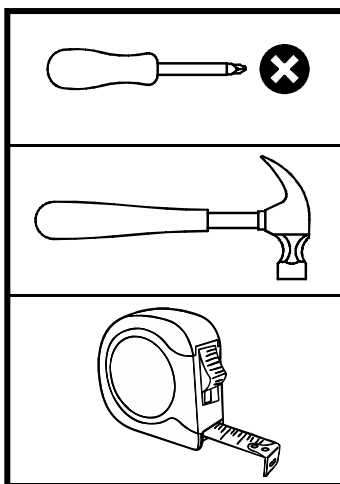
The highlighted parts below have been stamped with the part number to help identify them during assembly

<b><u>Part Number</u></b>	<b><u>Part Code</u></b>	<b><u>Part Description</u></b>	<b><u>Quantity</u></b>	<b><u>Carton</u></b>
1	S100-101-040-MY1-01	Right Side Panel	1	1/2
2	S100-101-040-MY1-02	Left Side Panel	1	1/2
3	S100-101-040-MY1-03	Right Front Upright	1	1/2
4	S100-101-040-MY1-04	Left Front Upright	1	1/2
5	S100-101-040-MY1-05	Top Panel	1	2/2
6	S100-101-040-MY1-06	Hanger	1	2/2
7	S100-101-040-MY1-07	Front Crossbeam	1	2/2
8	S100-101-040-MY1-08	Base	1	2/2
9	S100-101-040-MY1-09	Back Panel	2	1/2
10	S100-101-040-MY1-10	Back Strip (Upper)	1	1/2
11	S100-101-040-MY1-11	Back Strip (Lower)	1	1/2
12	S100-101-040-MY1-12	Door Strip	1	1/2
13	S100-101-040-MY1-13	Door	3	1/2
15	S100-101-040-MY1-15	Fixed Shelf	1	2/2
17	S100-101-040-MY1-17	Support Block	1	1/2
18	S100-101-040-MY1-18	Centre Panel	1	2/2
19	S100-101-040-MY1-19	Centre Front Upright	1	1/2
20	S100-101-040-MY1-20	Shelf	3	2/2
21	S100-101-040-MY1-21	Large Back Panel	1	1/2
22	S100-101-040-MY1-22	Front Crossbeam	1	2/2

## FITTINGS LIST

<p><b>A</b></p>  <p>+1/2 Dowel Ø8,0 x 30mm (49x)</p>	<p><b>B</b></p>  <p>+1/2 Flat Head Screw Ø4,0 x 40mm (12x)</p>	<p><b>C</b></p>  <p>+1/2 Pan Head Screw Ø3,5 x 30mm (36x)</p>	<p><b>D</b></p>  <p>+1/2 Flat Head Screw Ø3,5 x 14mm (69x)</p>
<p><b>E</b></p>  <p>Hanger Support (2x)</p>	<p><b>F</b></p>  <p>Handle (3x)</p>	<p><b>G</b></p>  <p>Flan Head Screw M4 x 22mm (3x)</p>	<p><b>H</b></p>  <p>Hinge (Right) (9x)</p>
<p><b>I</b></p>  <p>Hinge (Left) (9x)</p>	<p><b>J</b></p>  <p>+1/2 Nail 10x10 (57x)</p>	<p><b>K</b></p>  <p>Anti - Tip - Kit (1x)</p>	<p><b>L</b></p>  <p>Washer (2x)</p>
<p><b>M</b></p>  <p>Door Catch (6x)</p>	<p><b>N</b></p>  <p>Door Roller (6x)</p>	<p><b>O</b></p>  <p>+1/2 Plastic Support (12x)</p>	

## TOOLS REQUIRED

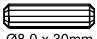


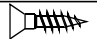
# STEP 1


## PARTS REQUIRED

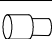
18 - CENTRE PANEL x1


## HARDWARE REQUIRED

A  09  
Ø8,0 x 30mm

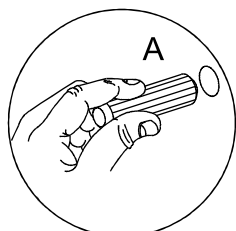
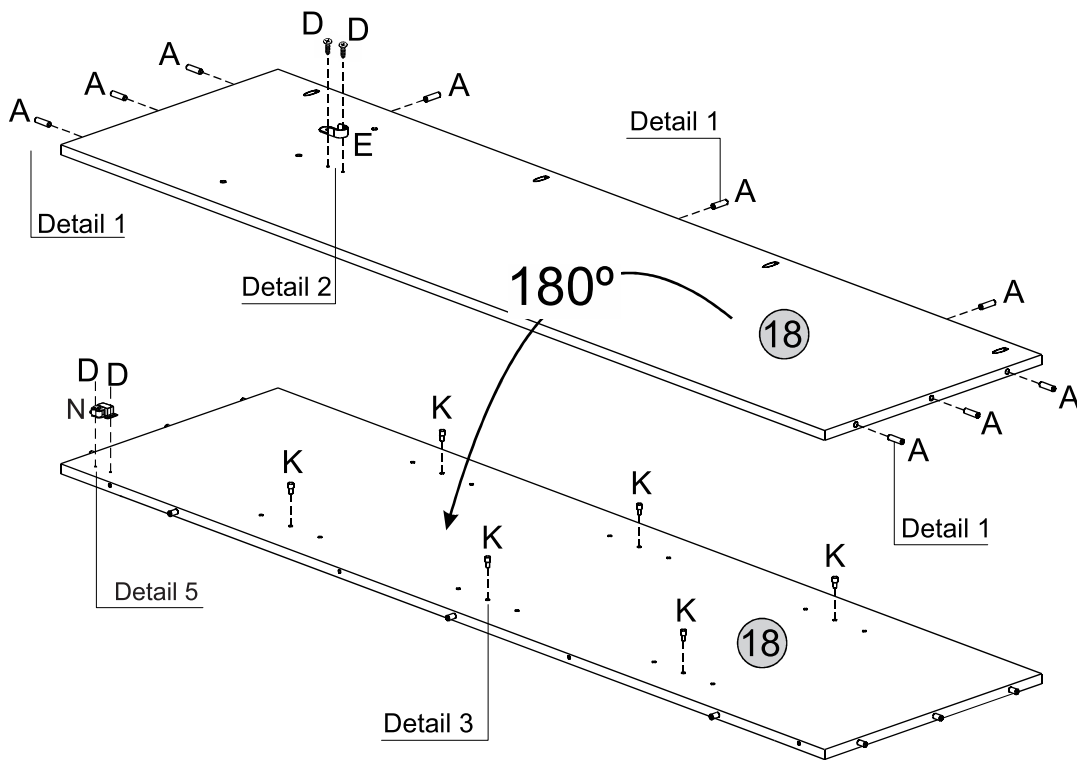
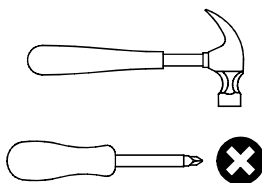
D  04  
Ø3,5 x 14mm

E  01

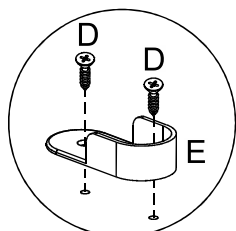
K  06

N  01

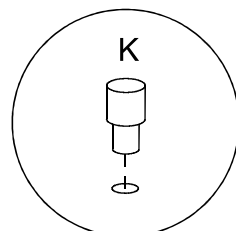
## TOOLS REQUIRED



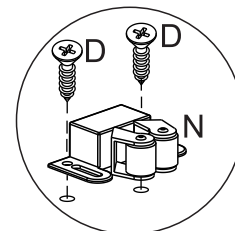
Detail 1



Detail 2



Detail 3



Detail 5

# STEP 2


## PARTS REQUIRED


7 - FRONT CROSSBEAM x1


15 - FIXED SHELF x1

22 - FRONT CROSSBEAM x1

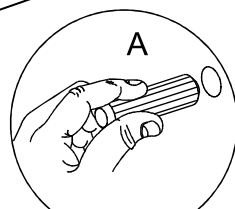
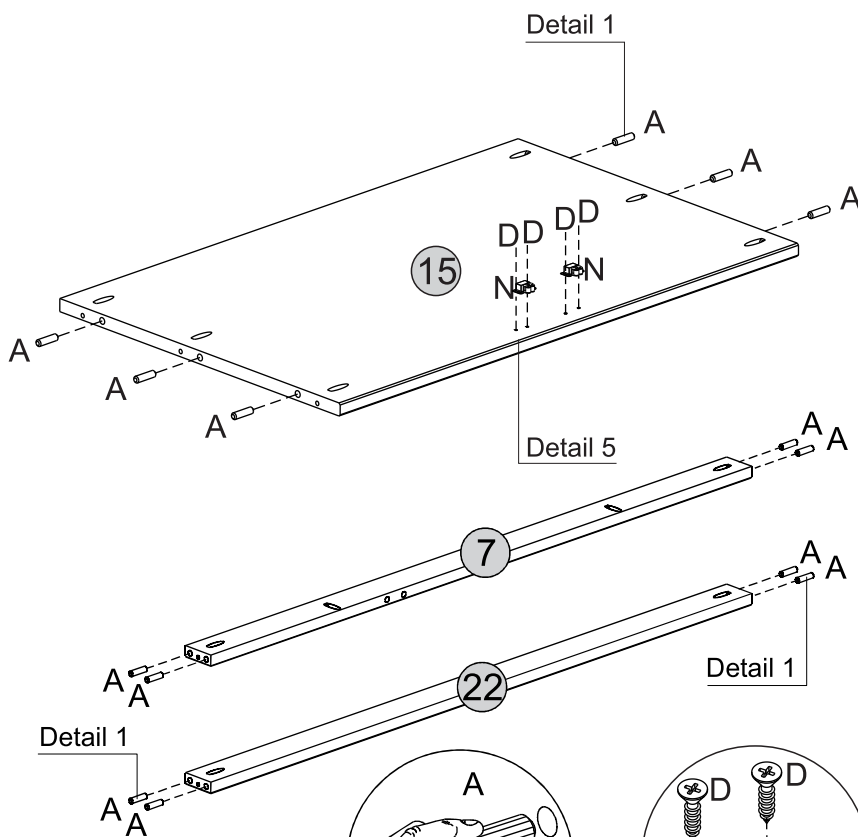
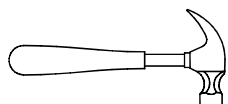
## HARDWARE REQUIRED

A  14  
Ø8,0 x 30mm

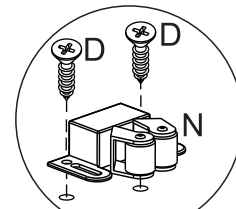
D  04  
Ø3,5 x 14mm

N  02

## TOOLS REQUIRED



Detail 1



Detail 5

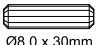
# STEP 3

## PARTS REQUIRED

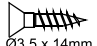
8 - BASE x1


17 - SUPPORT BLOCK x1

## HARDWARE REQUIRED

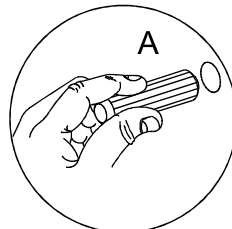
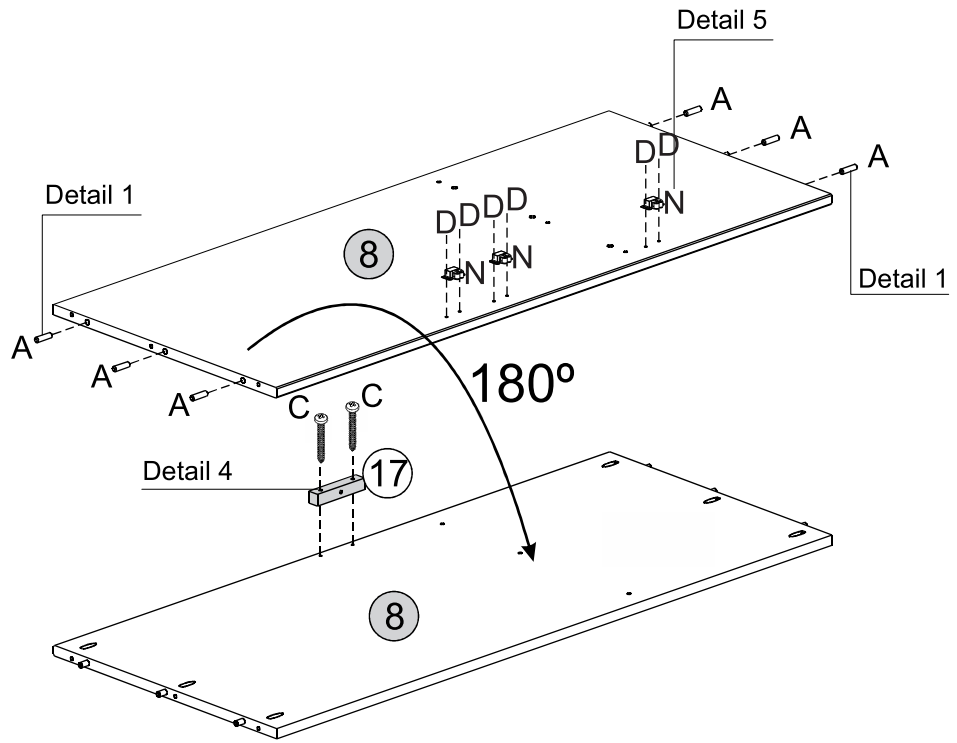
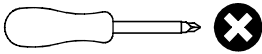
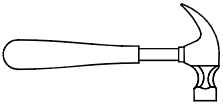
A  06  
Ø8.0 x 30mm

C  02  
Ø3.5 x 30mm

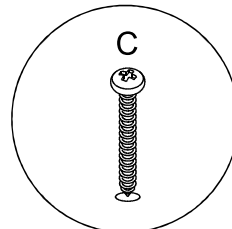
D  06  
Ø3.5 x 14mm

N  03

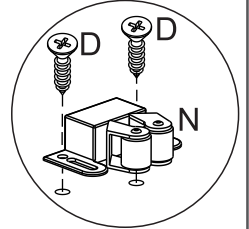
## TOOLS REQUIRED



Detail 1



Detail 4



Detail 5

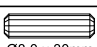
# STEP 4

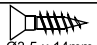
## PARTS REQUIRED


1 - RIGHT SIDE PANEL x1

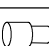
2 - LEFT SIDE PANEL x1

## HARDWARE REQUIRED

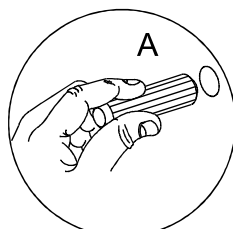
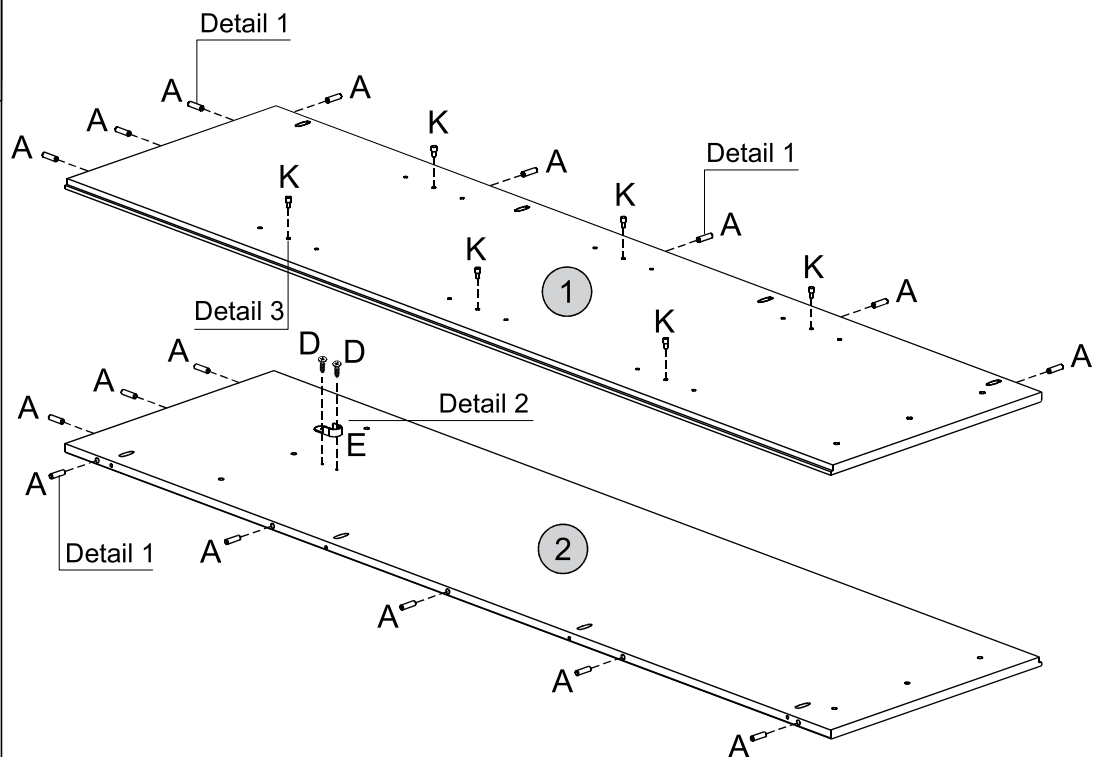
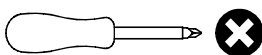
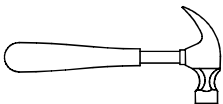
A  16  
Ø8.0 x 30mm

D  02  
Ø3.5 x 14mm

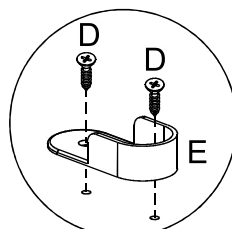
E  01

K  06

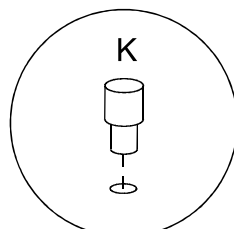
## TOOLS REQUIRED



Detail 1



Detail 2



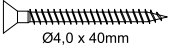
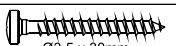
Detail 3

# STEP 5

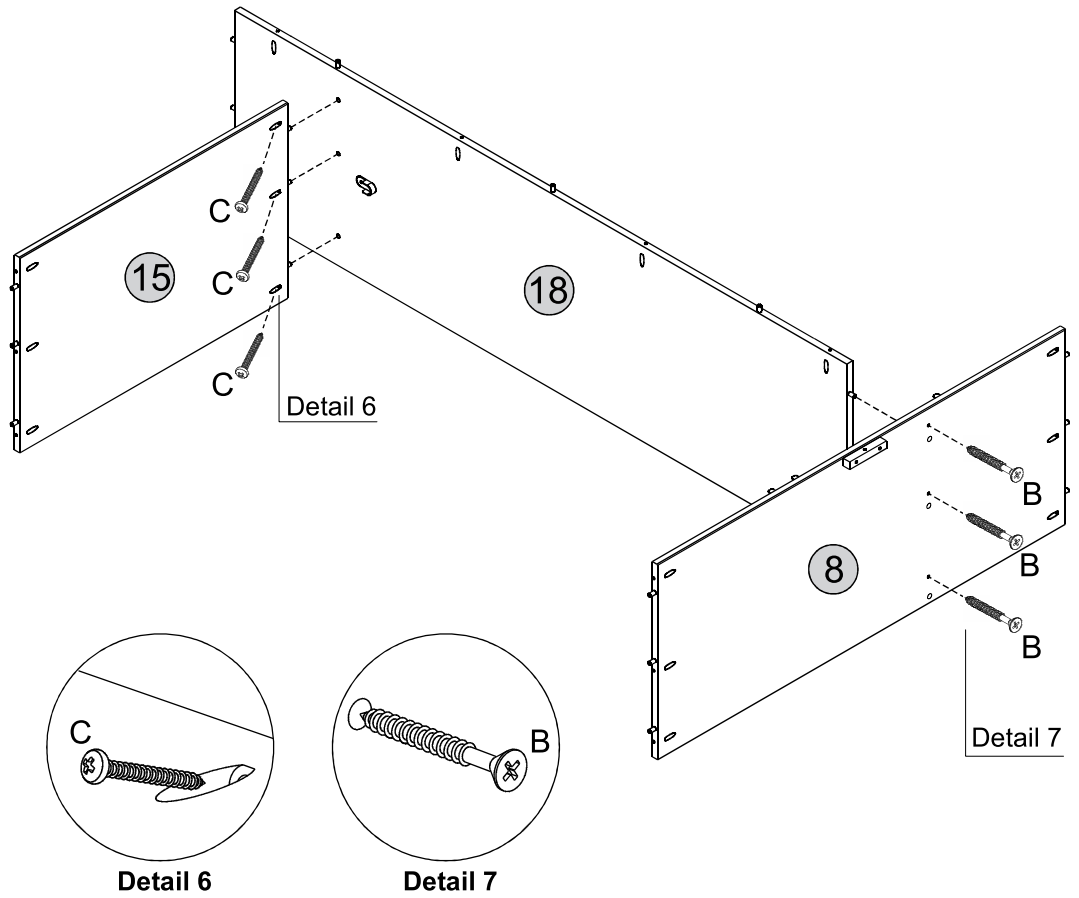
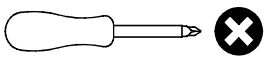
## PARTS REQUIRED

8 - BASE	x1
15 - FIXED SHELF	x1
18 - CENTRE PANEL	x1

## HARDWARE REQUIRED

B		03
C		03

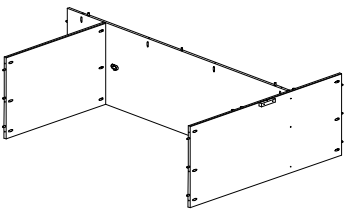
## TOOLS REQUIRED



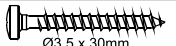
# STEP 6

## PARTS REQUIRED

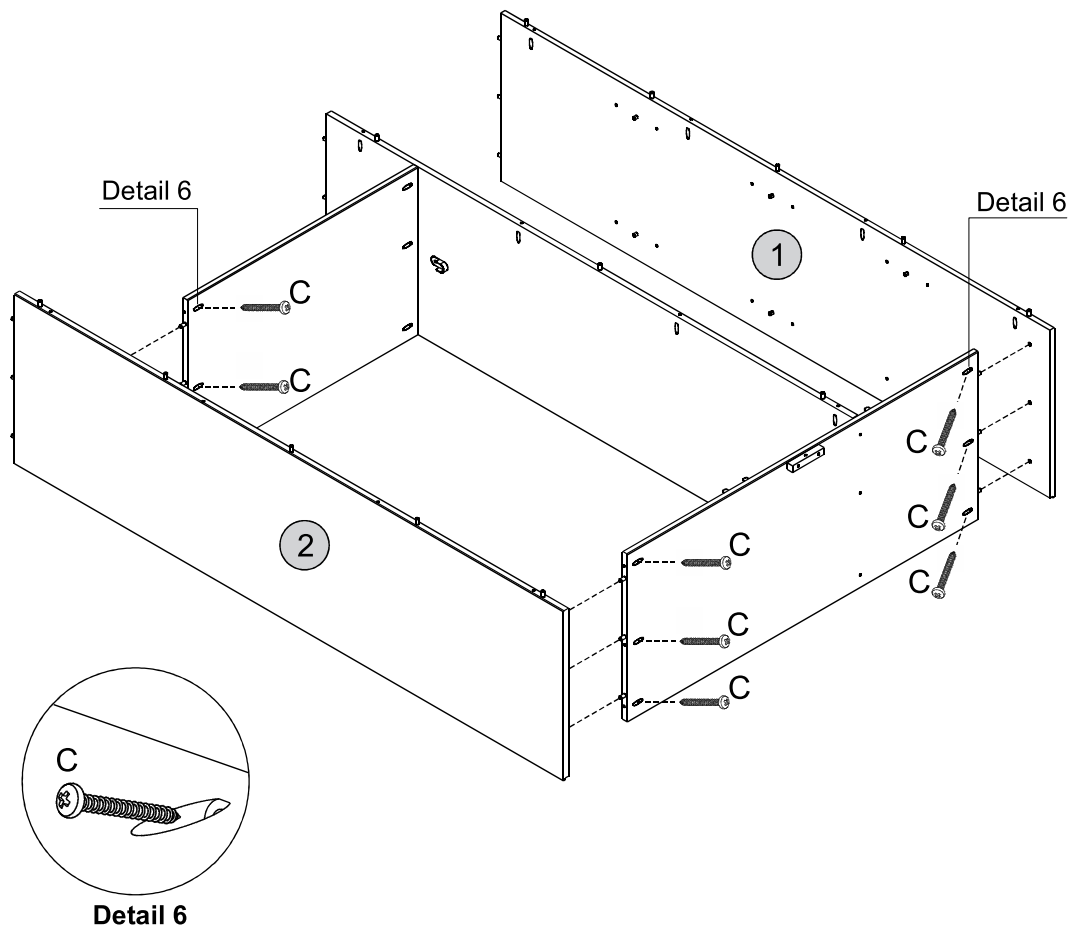
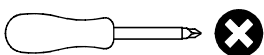
1 - RIGHT SIDE PANEL	x1
2 - LEFT SIDE PANEL	x1



## HARDWARE REQUIRED

C		09
---	---	----

## TOOLS REQUIRED



# STEP 7

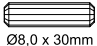
## PARTS REQUIRED

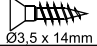
3 - RIGHT FRONT UPRIGHT x1

4 - LEFT FRONT UPRIGHT x1

19 - CENTRE FRONT UPRIGHT x1

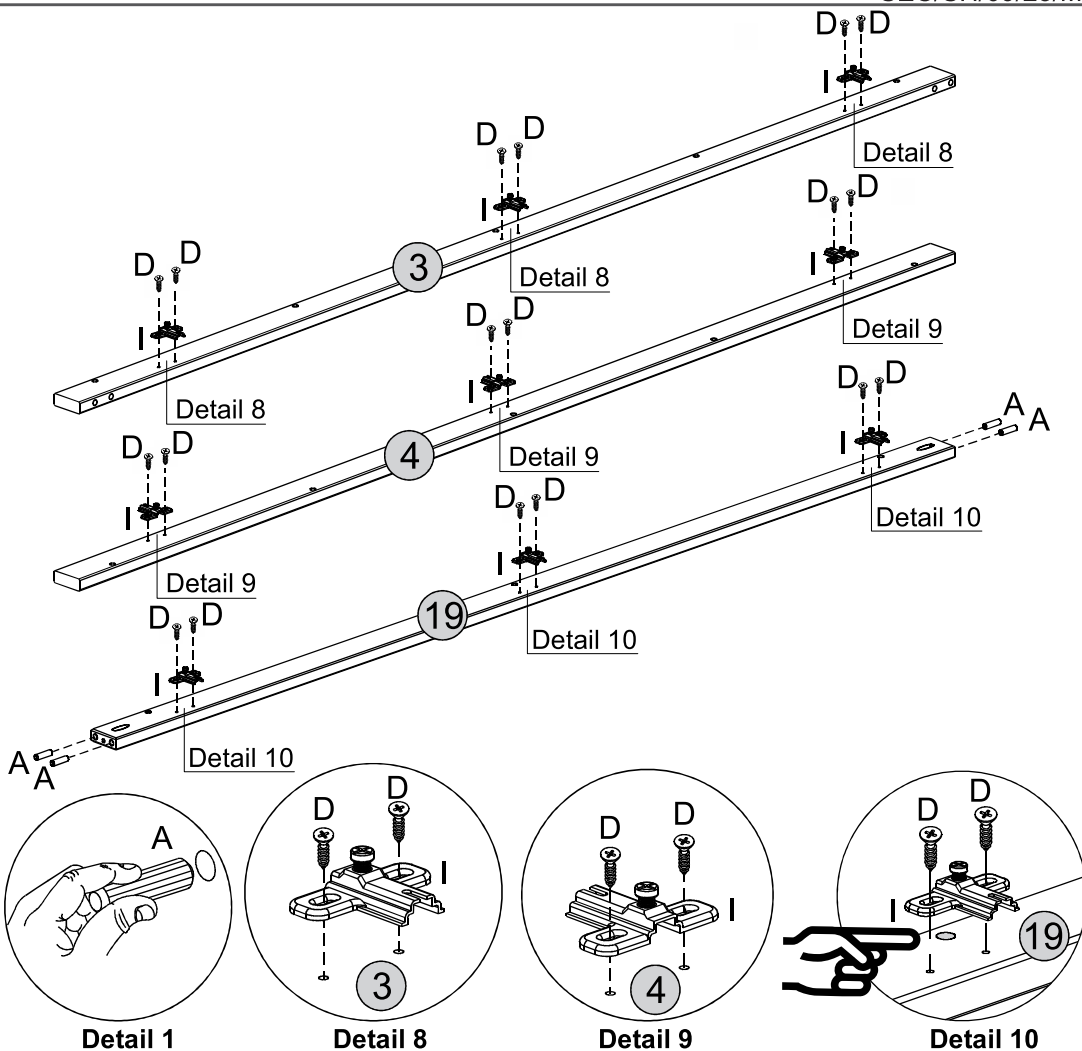
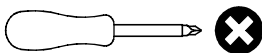
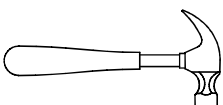
## HARDWARE REQUIRED

A  04  
Ø8.0 x 30mm

D  18  
Ø3.5 x 14mm

I  09

## TOOLS REQUIRED



# STEP 8

## PARTS REQUIRED

3 - RIGHT FRONT UPRIGHT x1

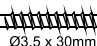
4 - LEFT FRONT UPRIGHT x1

7 - FRONT CROSSBEAM x1

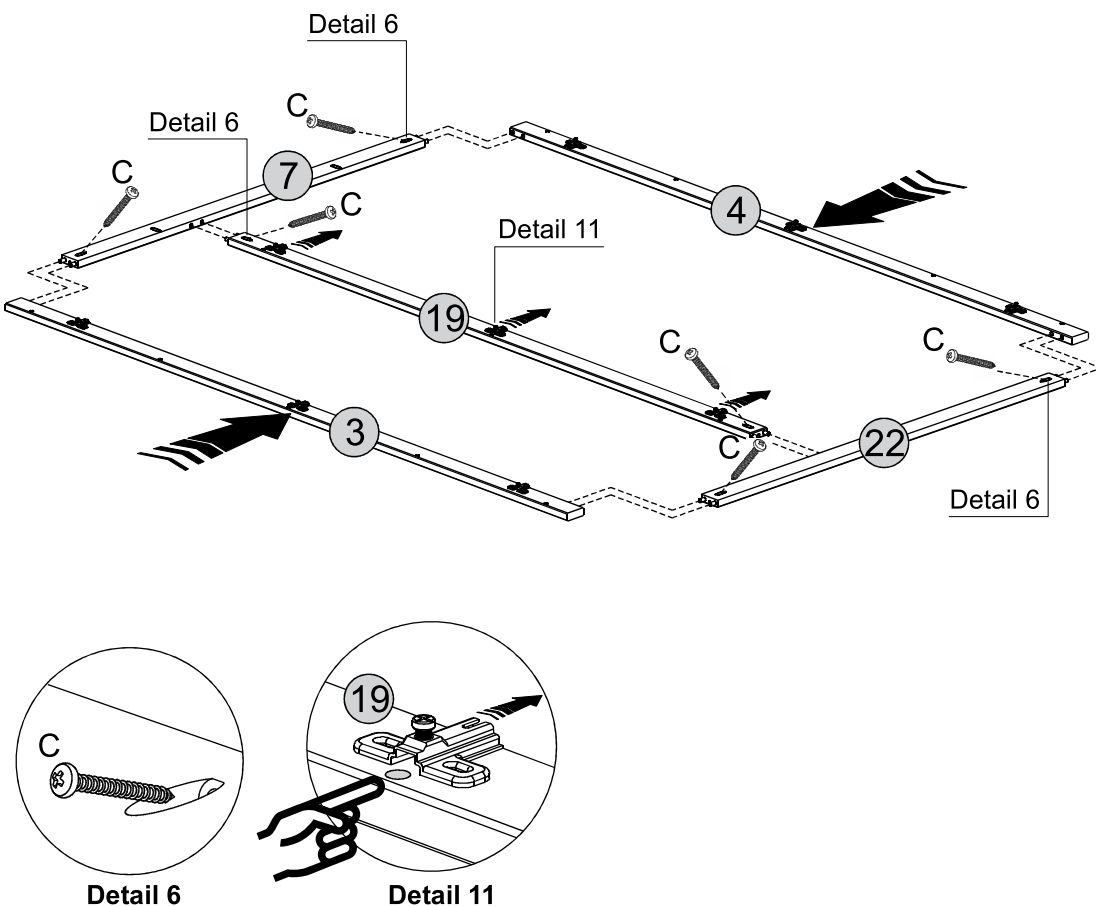
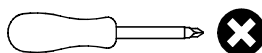
19 - CENTRE FRONT UPRIGHT x1

22 - FRONT CROSSBEAM x1

## HARDWARE REQUIRED

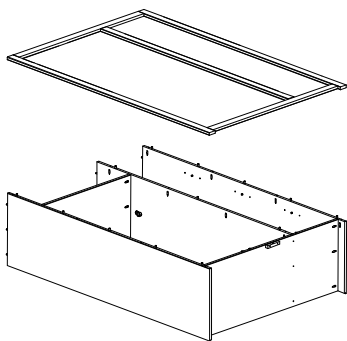
C  06  
Ø3.5 x 30mm

## TOOLS REQUIRED

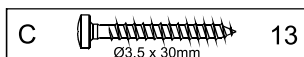


# STEP 9

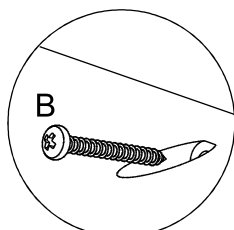
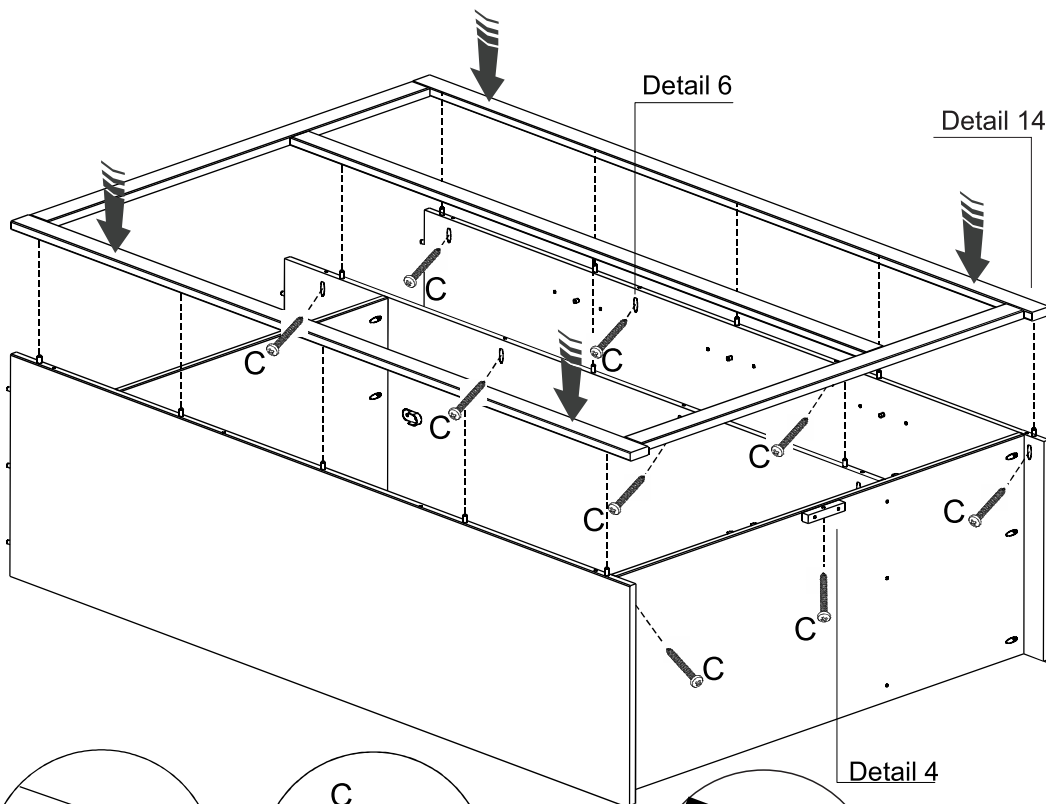
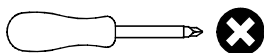
## PARTS REQUIRED



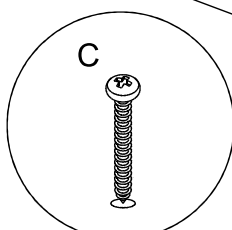
## HARDWARE REQUIRED



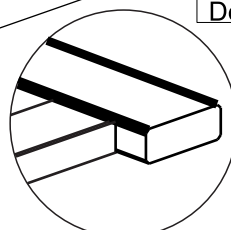
## TOOLS REQUIRED



Detail 6



Detail 4

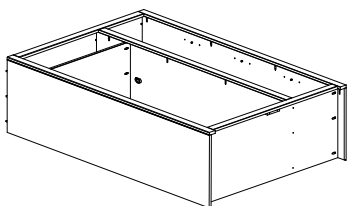


Detail 14

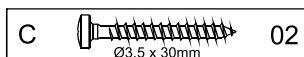
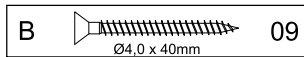
# STEP 10

## PARTS REQUIRED

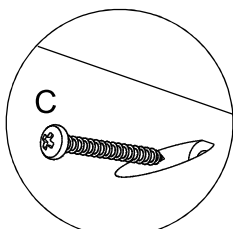
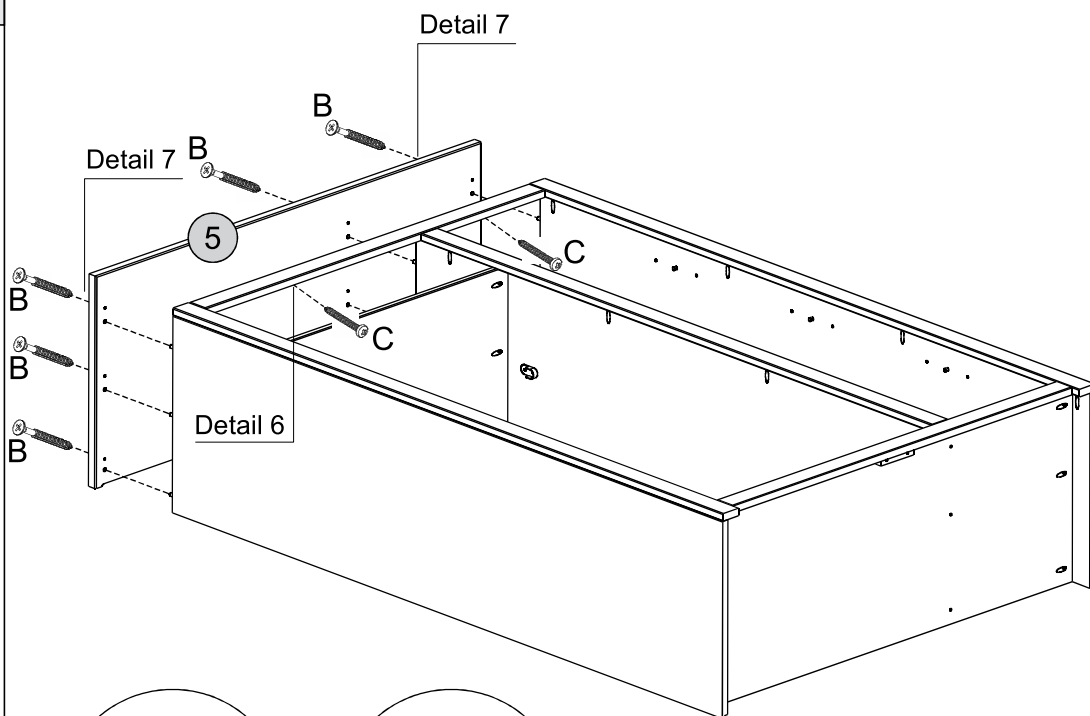
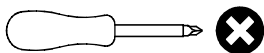
5 - TOP PANEL x1



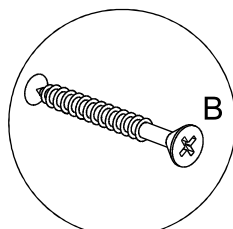
## HARDWARE REQUIRED



## TOOLS REQUIRED



Detail 6



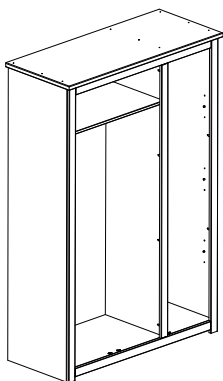
Detail 7



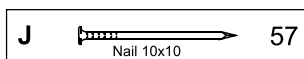
# STEP 11

## PARTS REQUIRED

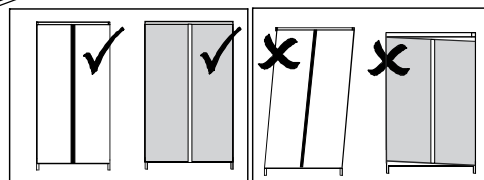
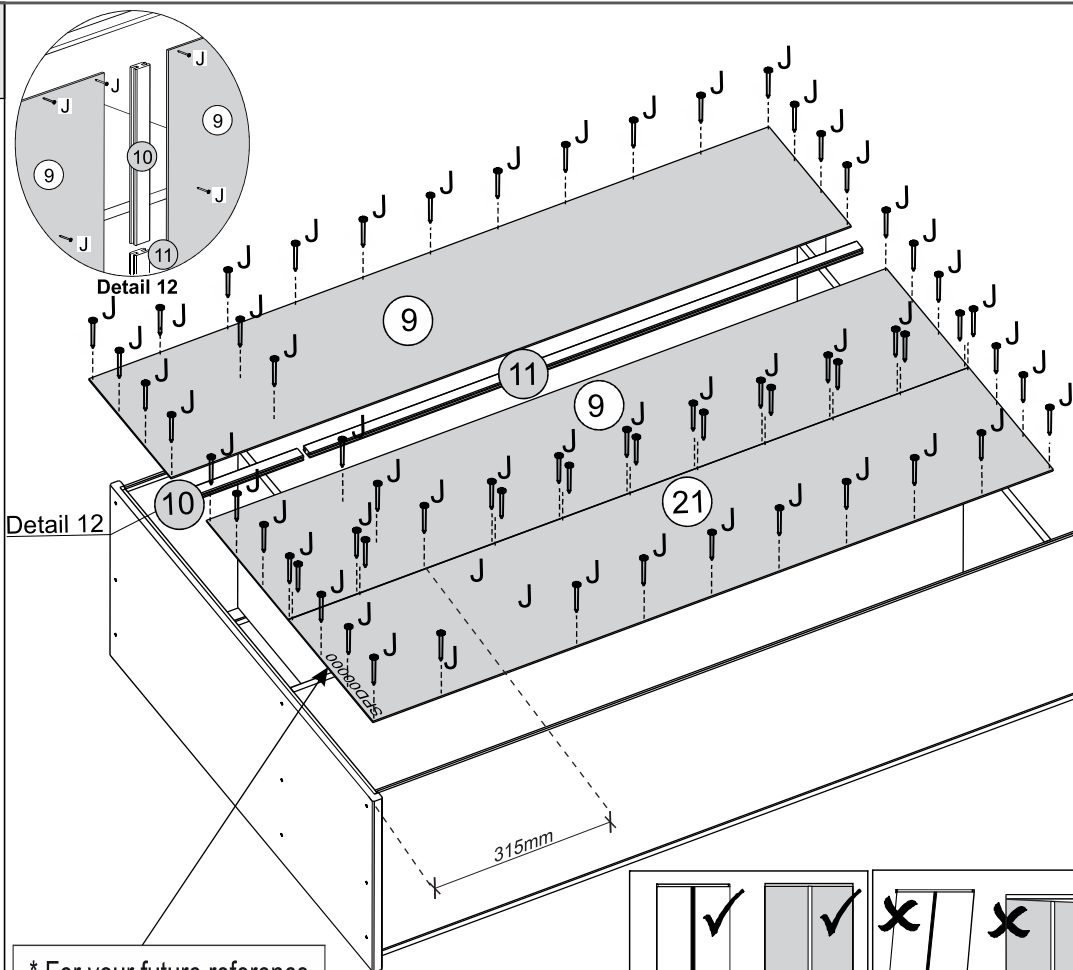
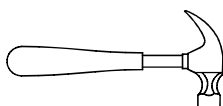
9 - BACK PANEL	x2
10 - BACK STRIP (UPPER)	x1
11 - BACK STRIP (LOWER)	x1
21 - LARGE BACK PANEL	x1



## HARDWARE REQUIRED



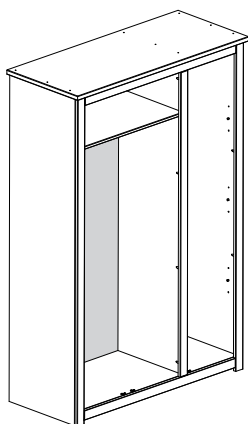
## TOOLS REQUIRED



# STEP 12

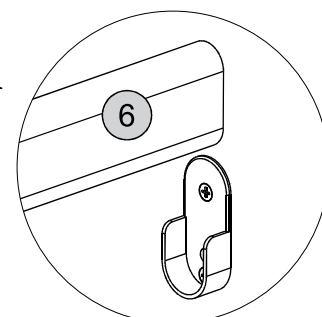
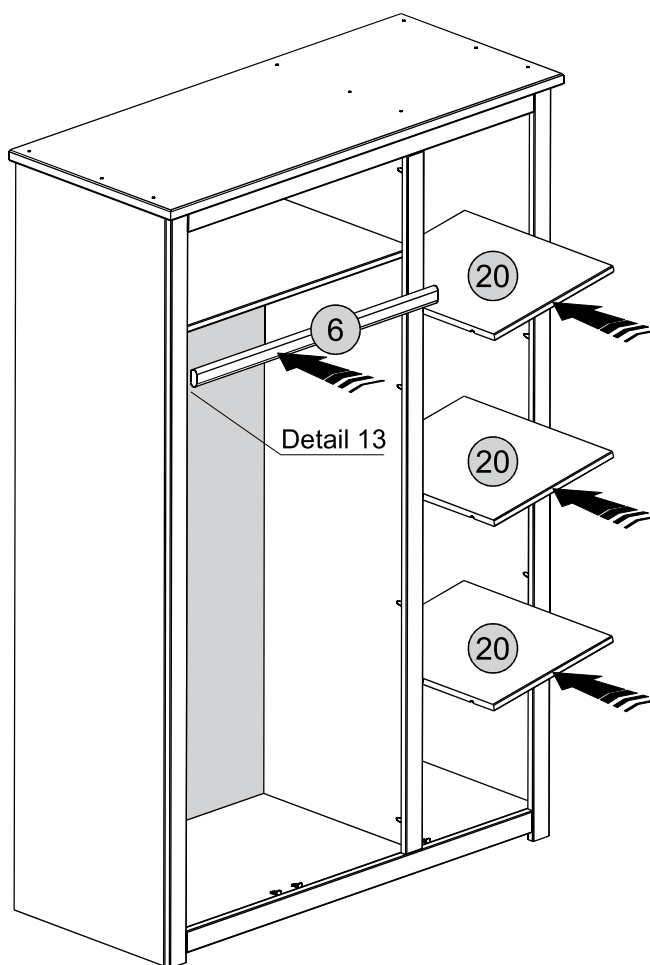
## PARTS REQUIRED

6 - HANGER	x1
20 - SHELF	x3



## HARDWARE REQUIRED

## TOOLS REQUIRED



Detail 13

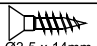
# STEP 13

## PARTS REQUIRED

12 - DOOR STRIP x1

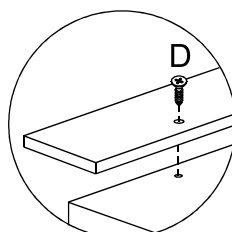
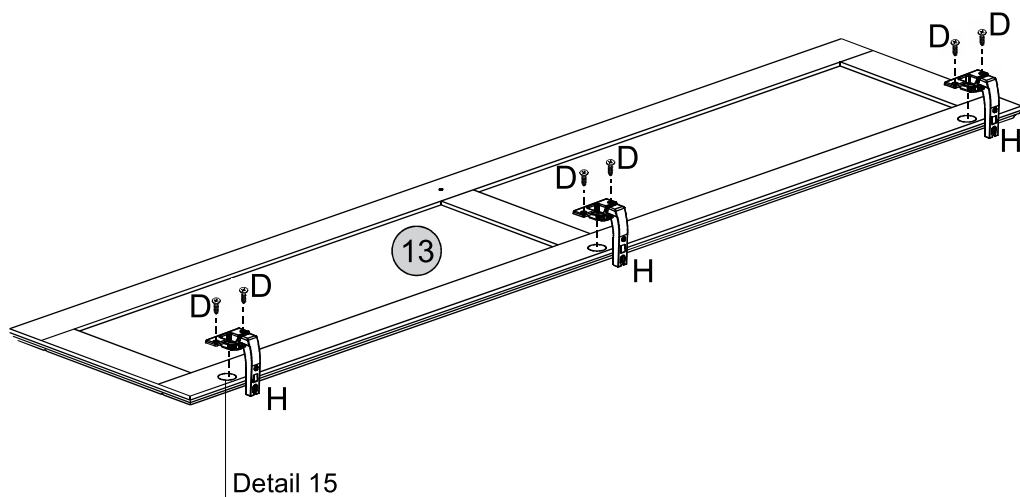
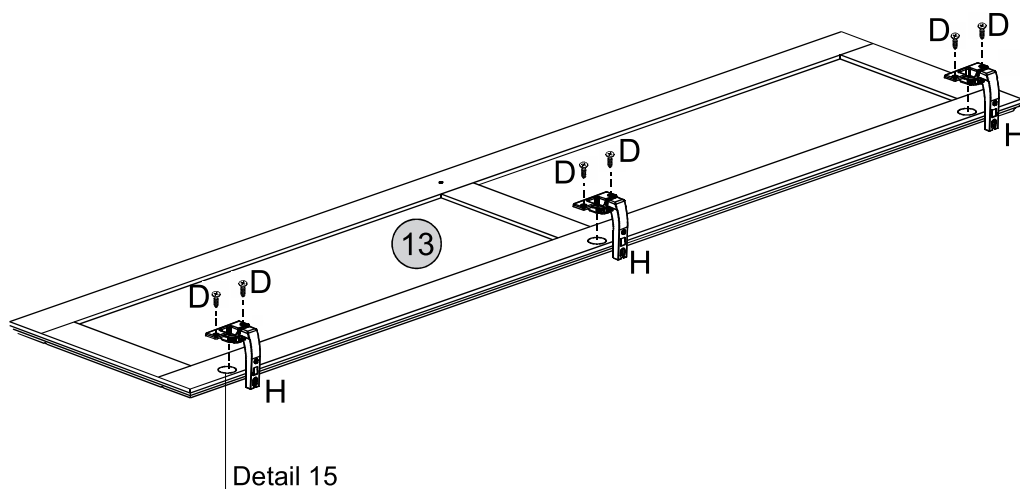
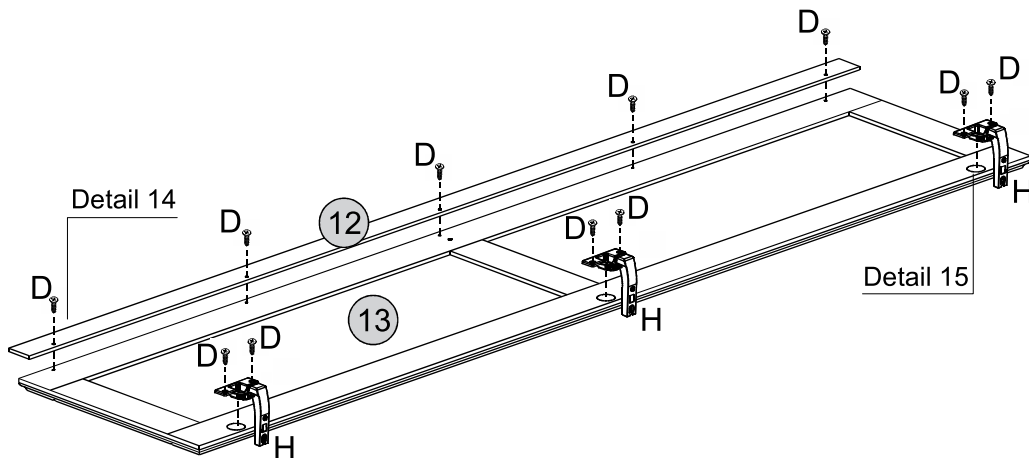
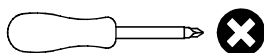
13 - DOOR x3

## HARDWARE REQUIRED

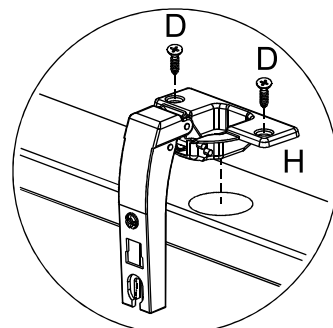
D  23  
Ø3.5 x 14mm

H  09

## TOOLS REQUIRED



Detail 14

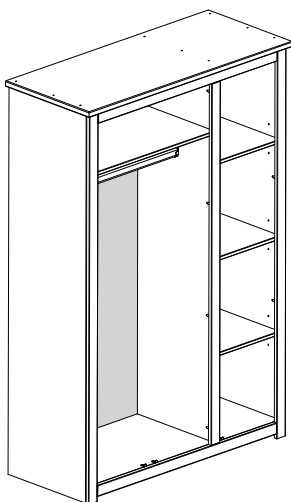


Detail 15

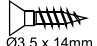
# STEP 14

## PARTS REQUIRED

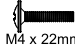
13 - DOOR x3




## HARDWARE REQUIRED

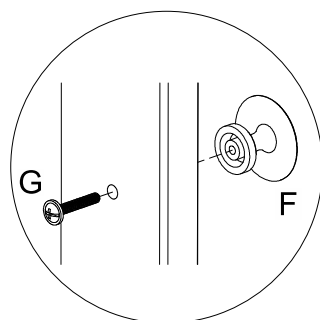
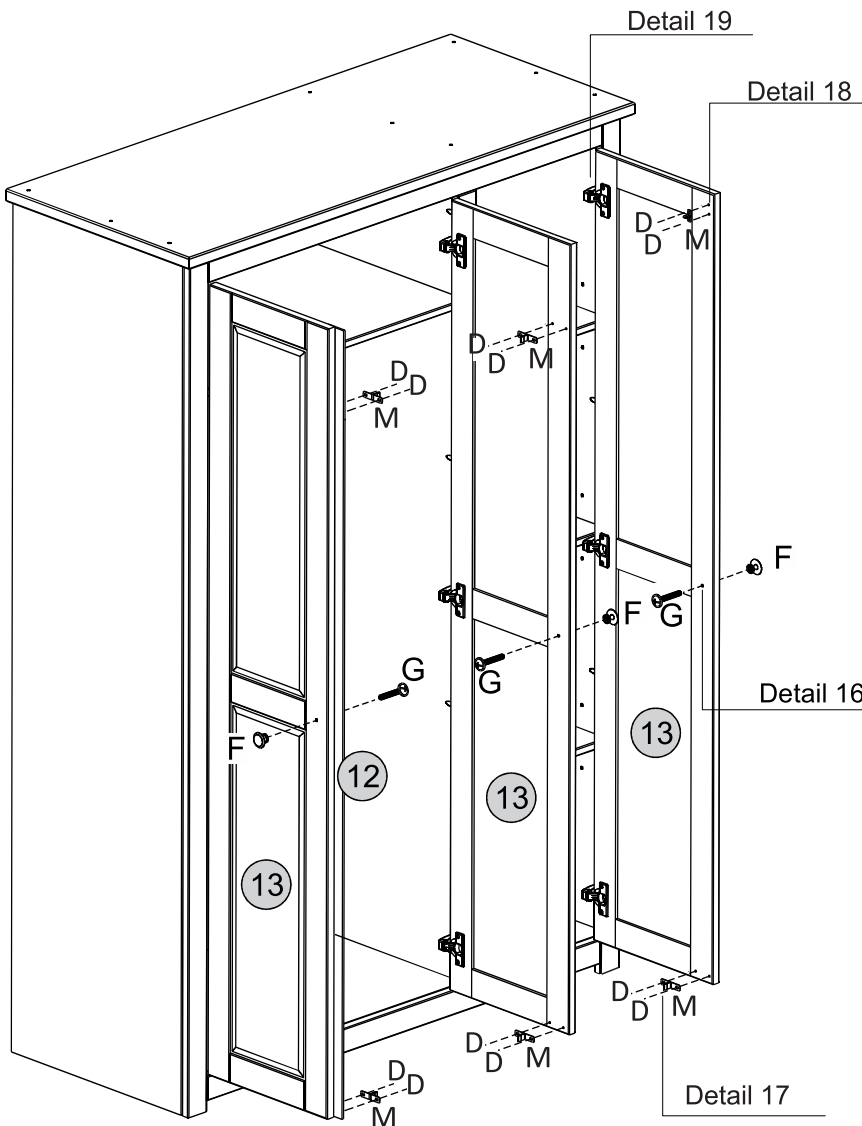
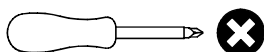
D  12  
Ø3,5 x 14mm

F  03

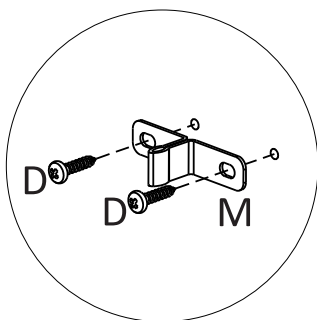
G  03  
M4 x 22mm

M  06

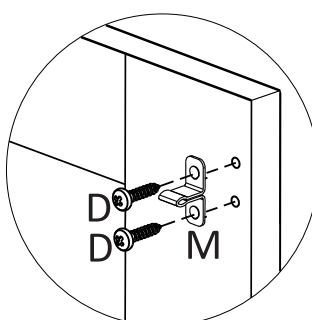
## TOOLS REQUIRED



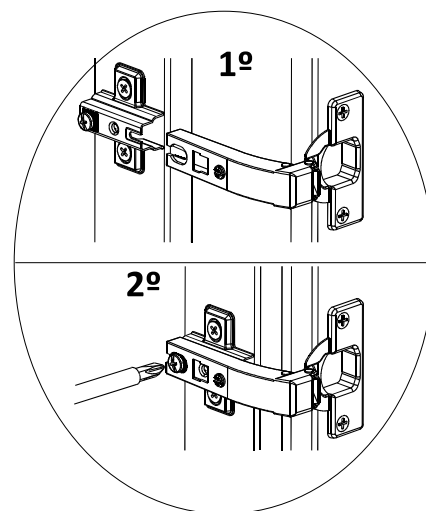
Detail 16



Detail 17

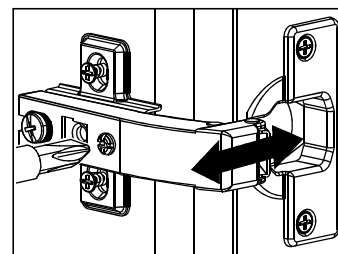
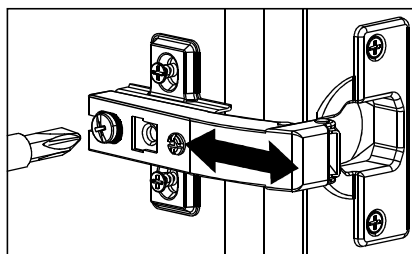
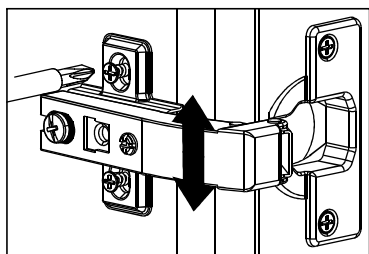


Detail 18



Detail 19

## ADJUSTMENTS

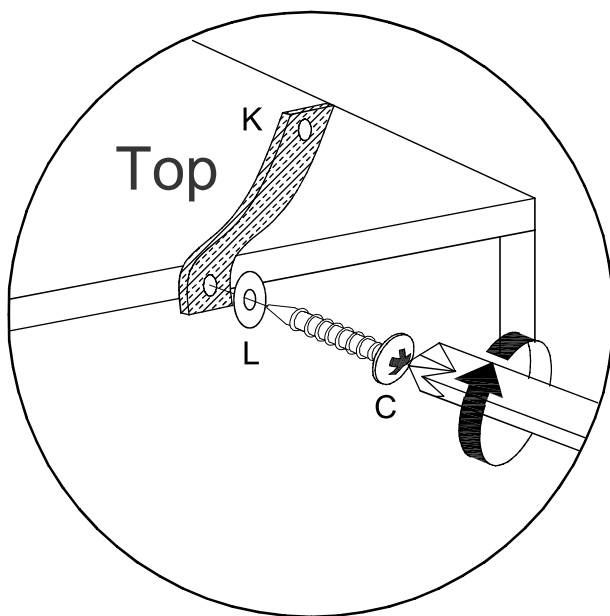





## WARNING

**Serious or fatal injuries can occur from furniture tipping over. To prevent the furniture from tipping over we recommend that it is permanently fixed to the wall.**

Wall fixings are not supplied with this product as different wall materials require different types of fixing devices.

Please make sure you use fixings suitable for the walls in your home.



K		1
Strap		
L		2
Washer		
C		1
Ø3,5 x 30mm		

