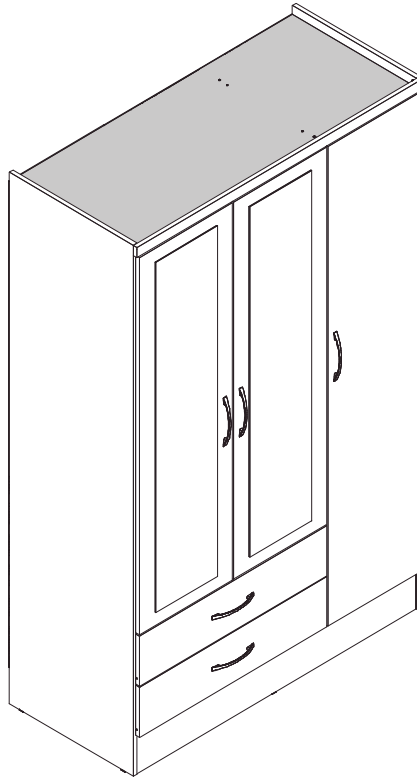


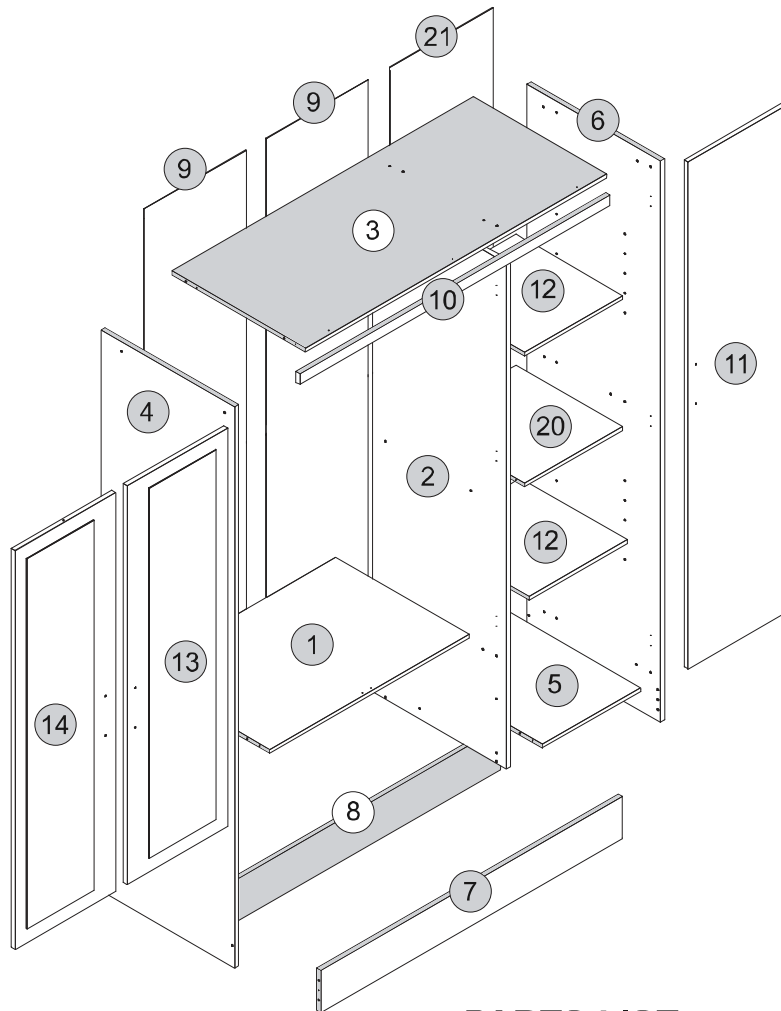
NEVADA 3 DOOR 2 DRAWER WARDROBE ASSEMBLY INSTRUCTIONS



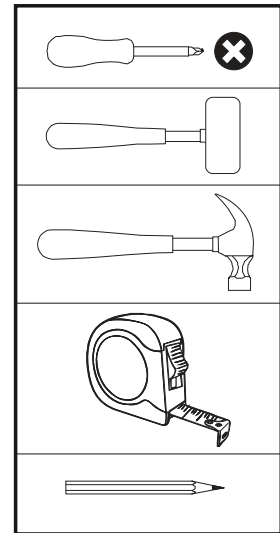
IMPORTANT FOR DOMESTIC USE ONLY PLEASE READ BEFORE YOU CONTINUE FURTHER CARE AND MAINTENANCE

After unpacking this product please keep the original packaging in case it needs to be returned for any reason.

- Please ensure all fittings and parts are present before commencing with assembly.
- Never drag or push products as this could cause damage to the joints making it inferior.
- We strongly recommend that you keep children away from your work area.
- We recommend that you lay a blanket or sheet on the floor to avoid damage to both your floor and the product.
- Assemble this product as close to its final position as possible.
- Do not place this product next to a radiator or in direct sunlight.
- Do not drag or push items across your high gloss furniture as this may cause the surface to scratch
- Wood is a natural product and may expand if subjected to damp and may shrink or crack if subjected to heat. Therefore it is recommended that room temperature is maintained, with no sudden temperature fluctuations.
- Make sure any spillage is wiped off immediately.
- Do not place hot or chilled items directly on to the surface, use a place mat or marking will occur.
- For general cleaning use a soft cotton or micro fibre cloth, and do not use detergents of any kind.
- From time to time it may be necessary to tighten fittings, regular inspections should be carried out.
- Do not place on a wet or damp floor as staining may occur to your floor.



TOOLS REQUIRED



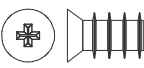
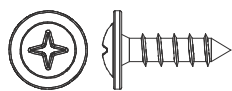

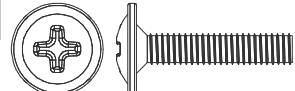



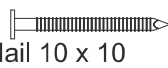
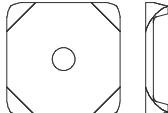
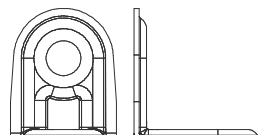
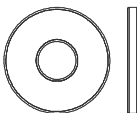
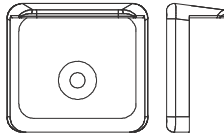
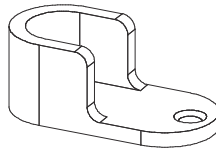
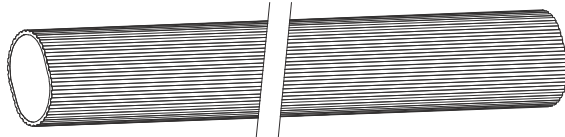
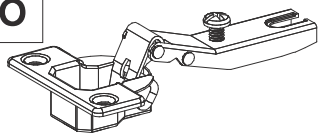
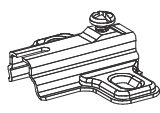
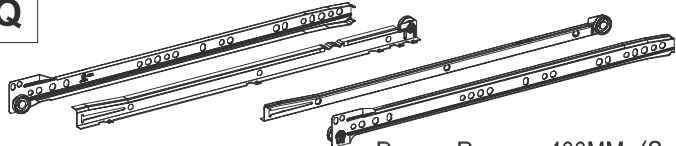
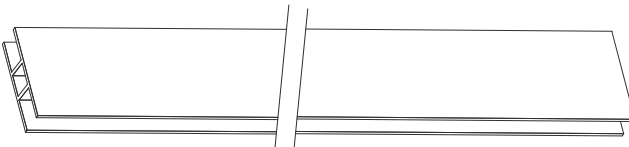




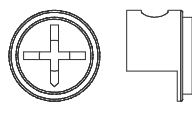
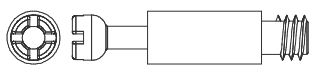

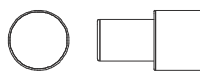
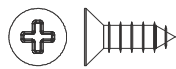
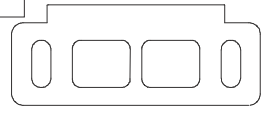
PARTS LIST

Please Note:
The below parts have all been stamped with the part number to help identify them during assembly.

Part Number	Part Description	Quantity	Carton
01	Large Base Panel	1	2/3
02	Division Panel	1	1/3
03	Top Panel	1	2/3
04	Left Side Panel	1	1/3
05	Small Base Panel	1	2/3
06	Right Side Panel	1	1/3
07	Front Baseboard	1	2/3
08	Back Baseboard	1	2/3
09	Small Back Panel	2	3/3
10	Frame	1	1/3
11	Large Door	1	3/3
12	Movable Shelf	2	2/3
13	Right Small Door	1	3/3
14	Left Small Door	1	3/3
15	Drawer Side	4	2/3
16	Drawer Back Panel	2	2/3
17	Drawer Front	2	2/3
18	Drawer Botom	2	1/3
19	Drawer Support Bar	2	2/3
20	Shelf	1	2/3
21	Large Back Panel	1	3/3


FITTINGS LIST

SEC/SW/04/23/HV1


<p>A</p>  <p>Flat Head Screw Ø6,0 x 10mm (8x)</p> <p>1/+</p>	<p>B</p>  <p>Flan Head Screw Ø4,0 x 14mm (9x)</p> <p>1/+</p>	<p>C</p>  <p>Flat Head Screw Ø4,0 x 14mm (52x)</p> <p>2/+</p>	<p>D</p>  <p>Flan Head Screw Ø4,0 x 20mm (10x)</p> <p>2/+</p>
<p>E</p>  <p>Flat Head Screw Ø3,5 x 40mm (4x)</p> <p>1/+</p>	<p>F</p>  <p>Flat Head Screw Ø4,0 x 50mm (26x)</p> <p>2/+</p>	<p>G</p>  <p>2/+ Dowel Ø6,0 x 30mm (46x)</p>	
<p>H</p>  <p>Nail 10 x 10</p> <p>2/+ Nail 10x10 Ringed-1,5x23mm (88x)</p>	<p>I</p>  <p>2/+ Back Panel Bracket 14x14mm (16x)</p>	<p>J</p>  <p>1/+ 'L' Metallic Support 18x18MM (7x)</p>	<p>K</p>  <p>1/+ Washer Ø16x7 (4x)</p>
<p>L</p>  <p>1/+ Plastic Foot L 19x17x8mm Ø2 (6x)</p>	<p>M</p>  <p>Hanging Rail Support Plastic (2X)</p>	<p>N</p>  <p>Hanging Rail 737x30X16X0,60MM (1x)</p>	
<p>O</p>  <p>Hinge 26MM High Lap (9x)</p>	<p>P</p>  <p>Hinge Plate 26MM D5 (9x)</p>	<p>Q</p>  <p>Drawer Runners 400MM (2x)</p>	
<p>R</p>  <p>Back Panel Stri H 1633x19x3,8MM (1x)</p>		<p>S</p>  <p>Strap 200x20x1MM (2x)</p>	<p>T</p>  <p>Handle (5x)</p>
<p>U</p>  <p>2/+ Hole Plugs 19MM (26x)</p>	<p>V</p>  <p>Glue 10Gr (2x)</p>	<p>W</p>  <p>1/+ Cam Nut Ø12x8,8MM (4x)</p>	<p>X</p>  <p>1/+ Cam Bolt (4x)</p>
<p>Y</p>  <p>Flan Head Screw Ø3,5 x 30mm (2x)</p> <p>1/+</p>	<p>Z</p>  <p>1/+ Support Pin 7x6mm (8x)</p>	<p>A1</p>  <p>Flat Head Screw Ø4,0 x 12mm (18x)</p> <p>2/+</p>	<p>B1</p>  <p>Door Support L42xP27xA28MM (2x)</p>

TIPS FOR FITTINGS CAM-LOCKS

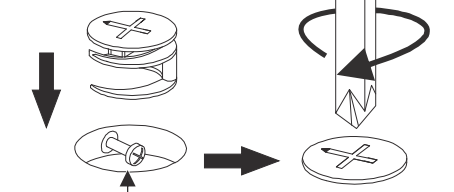
WHEN FITTING CAM NUT. ENSURE STARTING POSITION IS CORRECT BEFORE YOU INSERT CONNECTING CAM BOLT TURN CLOCKWISE UNTIL SECURE



↑
CORRECT



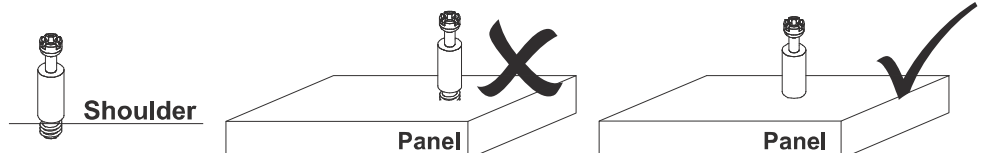
WRONG



Cam bolt head needs to be in centre

CAMBOLT

Tighten until shoulder is flush with panel. Do not overtighten or undertighten (see example beside)




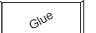
STEP 1


PARTS REQUIRED

2 - DIVISION PANEL x1

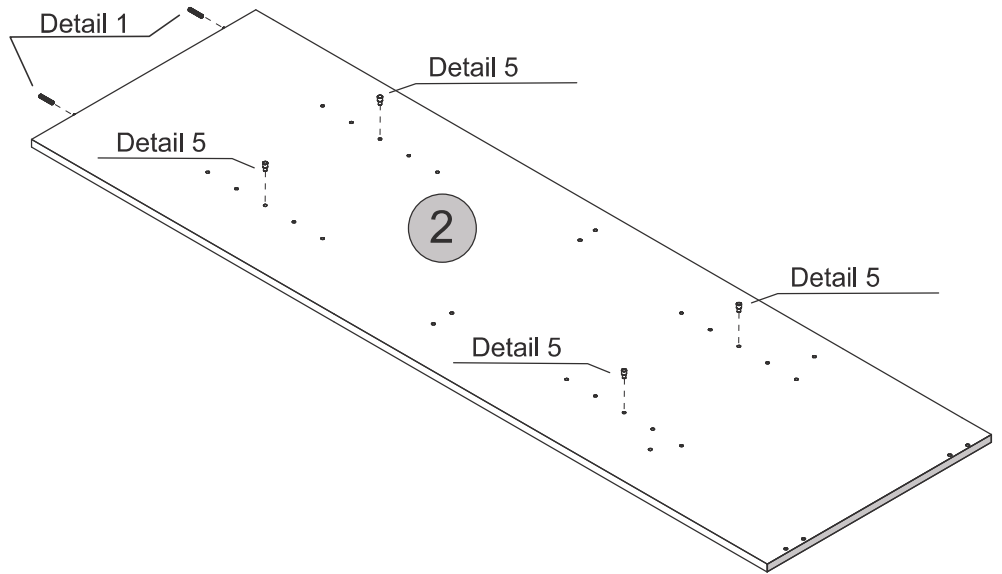
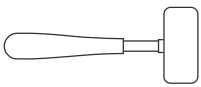
HARDWARE REQUIRED

G  02
Ø6,0 x 30mm

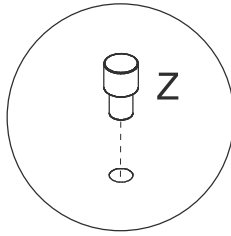
V  01
Glue

Z  04

TOOLS REQUIRED



Detail 1




Detail 5

STEP 2

PARTS REQUIRED

2 - DIVISION PANEL x1

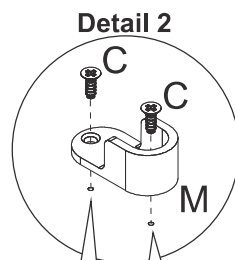
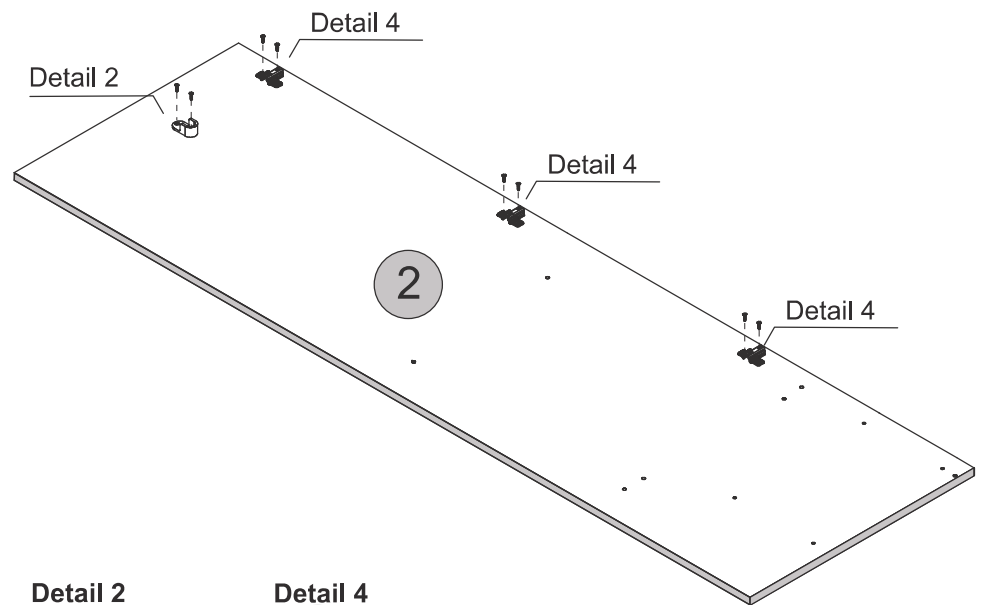
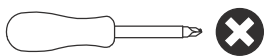
HARDWARE REQUIRED

C  08
Ø4,0 x 14mm

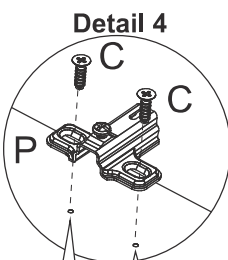
M  01

P  03

TOOLS REQUIRED



Please note:
Pre-marked
Holes



Please note:
Pre-marked
Holes

STEP 3

PARTS REQUIRED

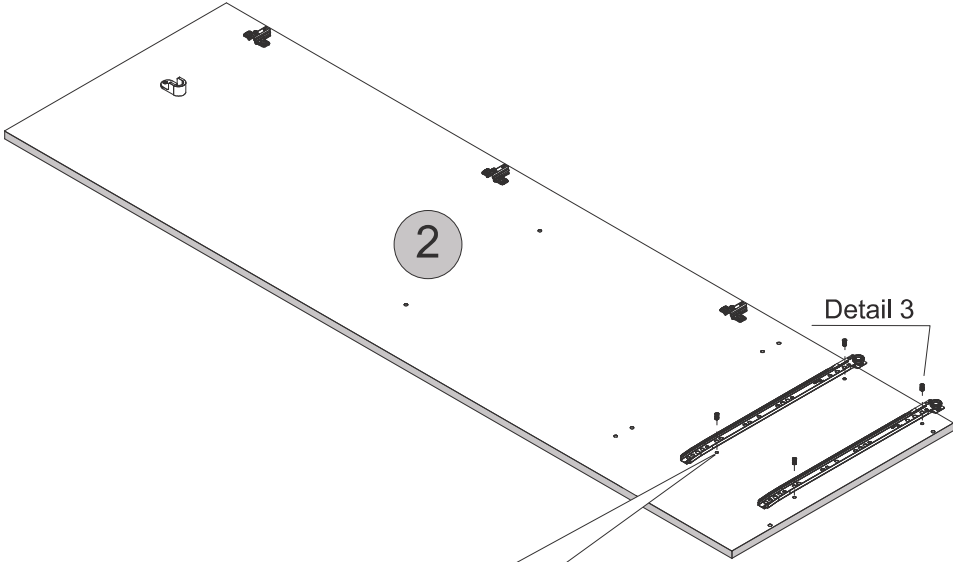
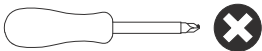
2 - DIVISION PANEL x1

HARDWARE REQUIRED

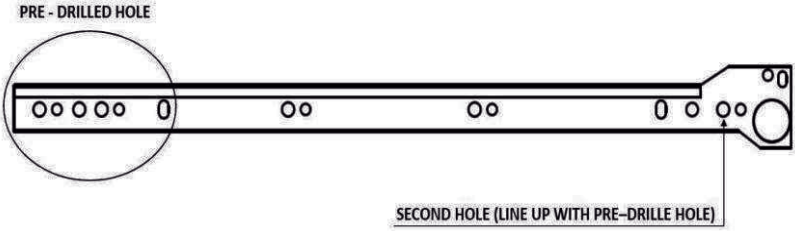
A  04
Ø6.0 x 10mm

Q  02
Right

TOOLS REQUIRED



PLEASE NOTE
PRE-DRILLED
HOLES.




Detail 3

STEP 4

PARTS REQUIRED

4 - LEFT SIDE PANEL x1

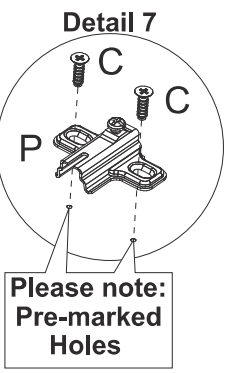
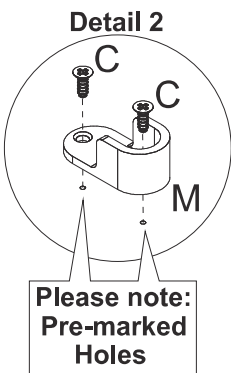
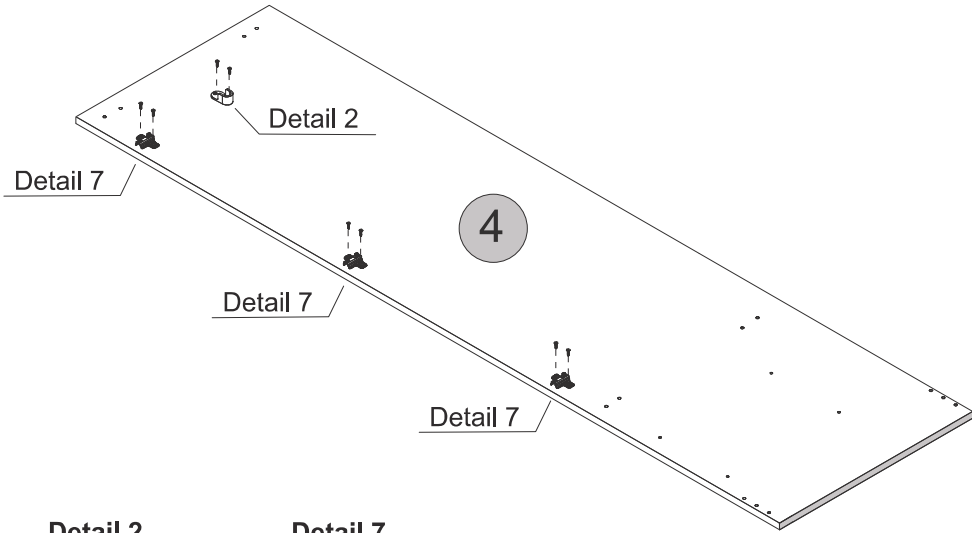
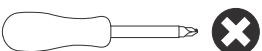
HARDWARE REQUIRED

C  08
Ø4.0 x 14mm

M  01

P  03

TOOLS REQUIRED



STEP 5

PARTS REQUIRED

4 - LEFT SIDE PANEL x1

HARDWARE REQUIRED

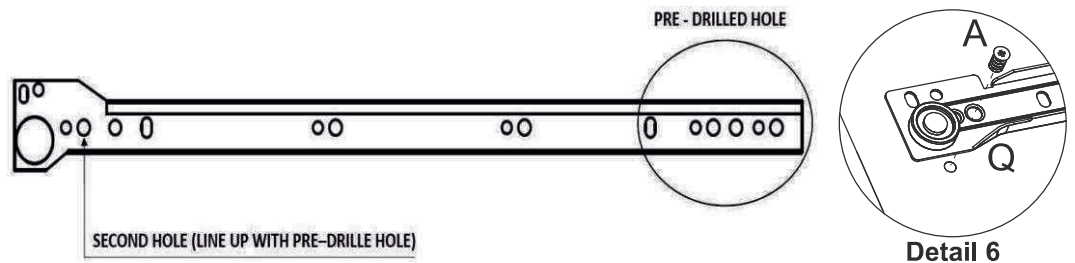
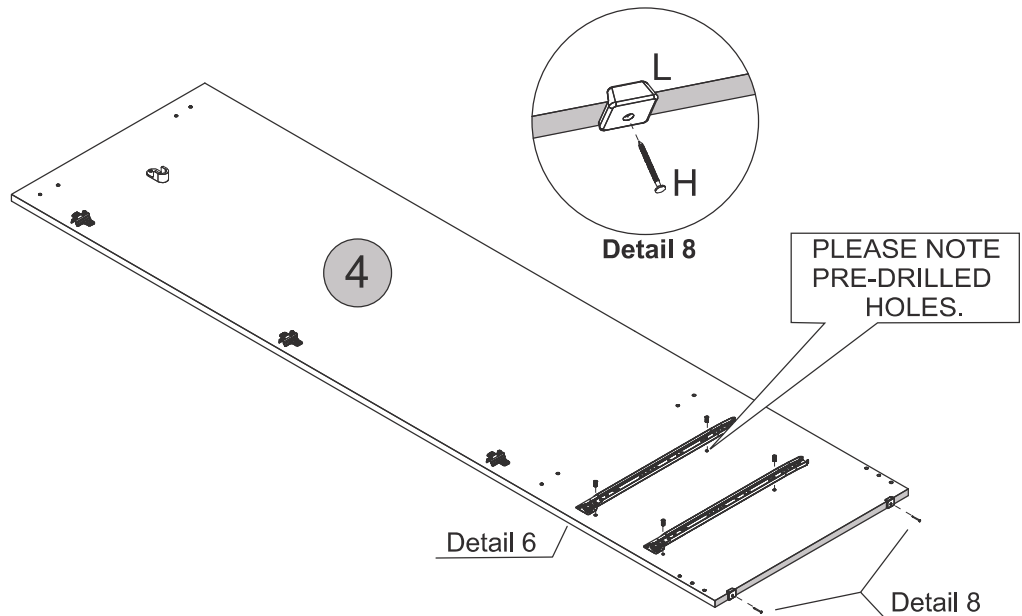
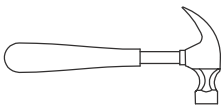
A  04
Ø6,0 x 10mm

H  02

L  02

Q  02

TOOLS REQUIRED

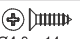



STEP 6

PARTS REQUIRED

6 - RIGHT SIDE PANEL x1

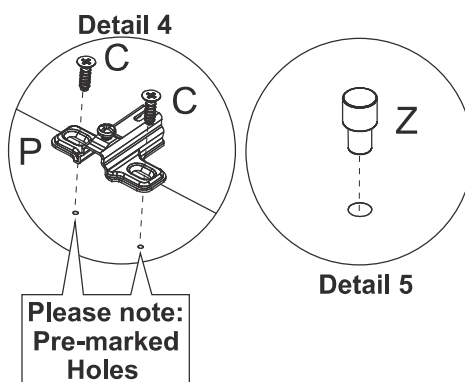
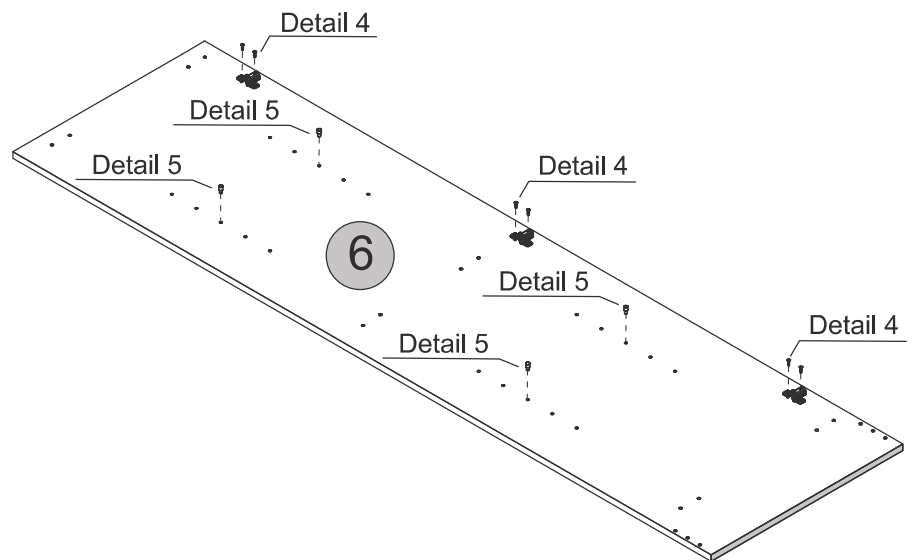
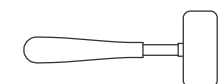
HARDWARE REQUIRED

C  06
Ø4,0 x 14mm

P  03

Z  04

TOOLS REQUIRED




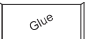


STEP 7

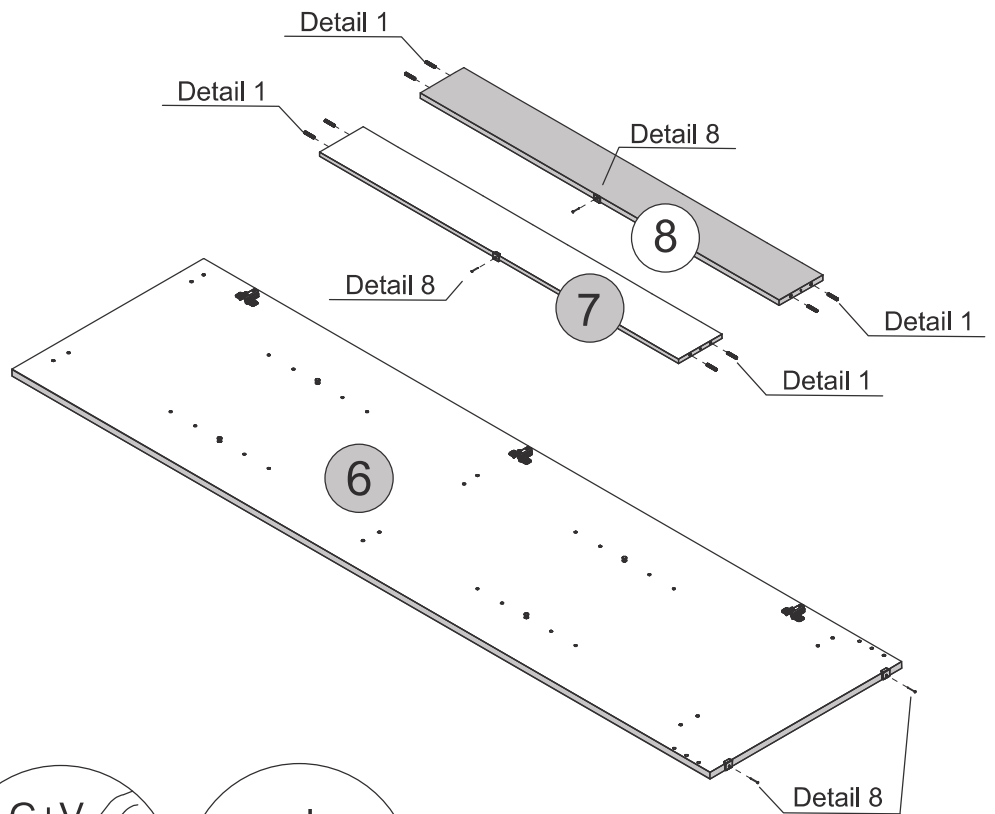
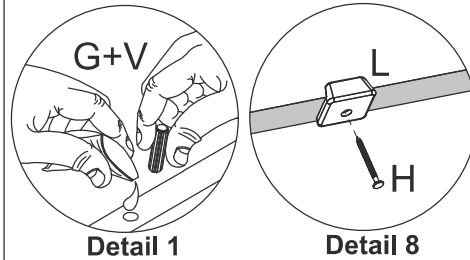
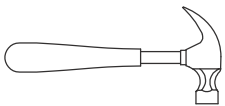
PARTS REQUIRED

- 6 - RIGHT SIDE PANEL x1
- 7 - FRONT BASEBOARD x1
- 8 - BACK BASEBOARD x1

HARDWARE REQUIRED

- G  08
Ø6,0 x 30mm
- H  04
- L  04
- V  01

TOOLS REQUIRED





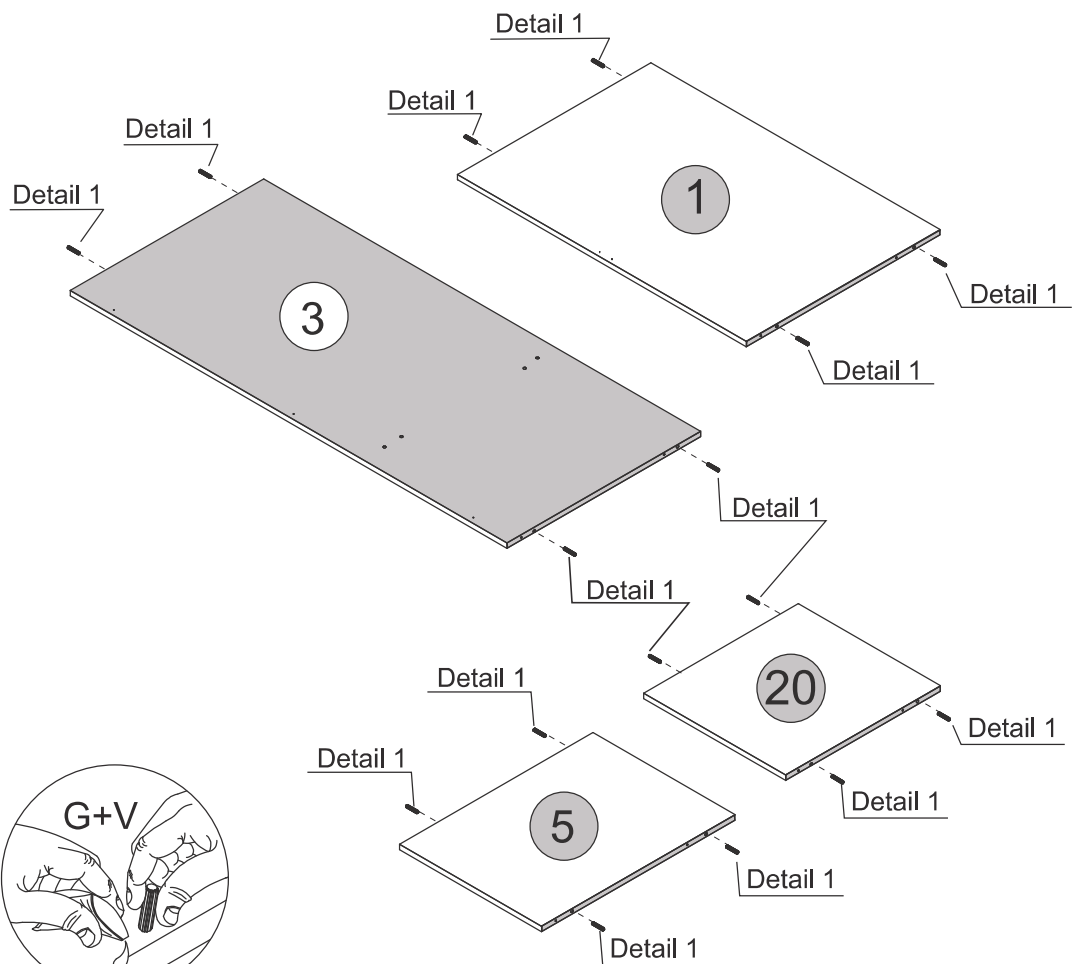
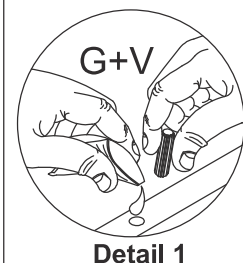
STEP 8

PARTS REQUIRED

- 1 - LARGE BASE PANEL x1
- 3 - TOP PANEL x1
- 5 - SMALL BASE PANEL x1
- 20 - SHELF x1

HARDWARE REQUIRED

- G  16
Ø6,0 x 30mm
- V  01



STEP 9

PARTS REQUIRED


1 - LARGE BASE PANEL x1

3 - TOP PANEL x1

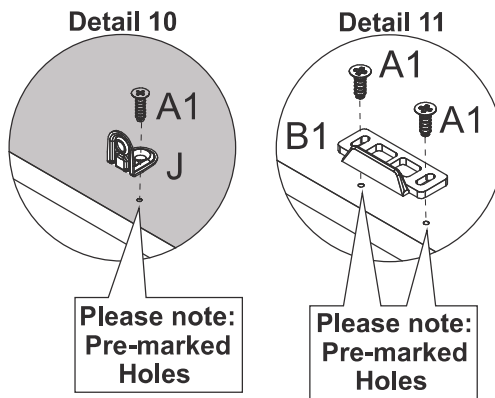
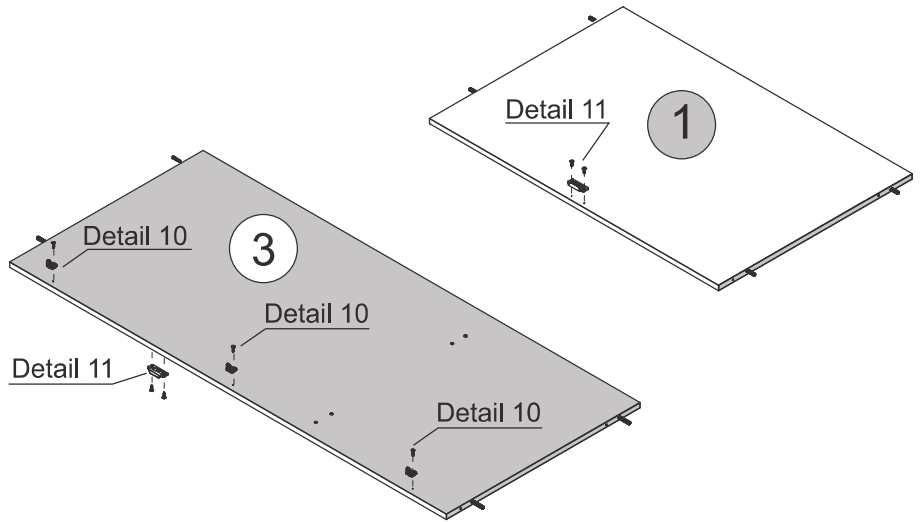
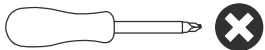
HARDWARE REQUIRED

A1  07
Ø4,0 x 12mm

B1  02

J  03

TOOLS REQUIRED



STEP 10

PARTS REQUIRED

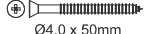
1 - LARGE BASE PANEL x1

2 - DIVISION PANEL x1

3 - TOP PANEL x1

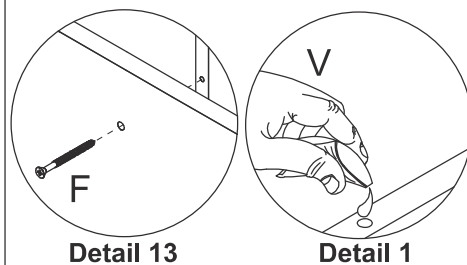
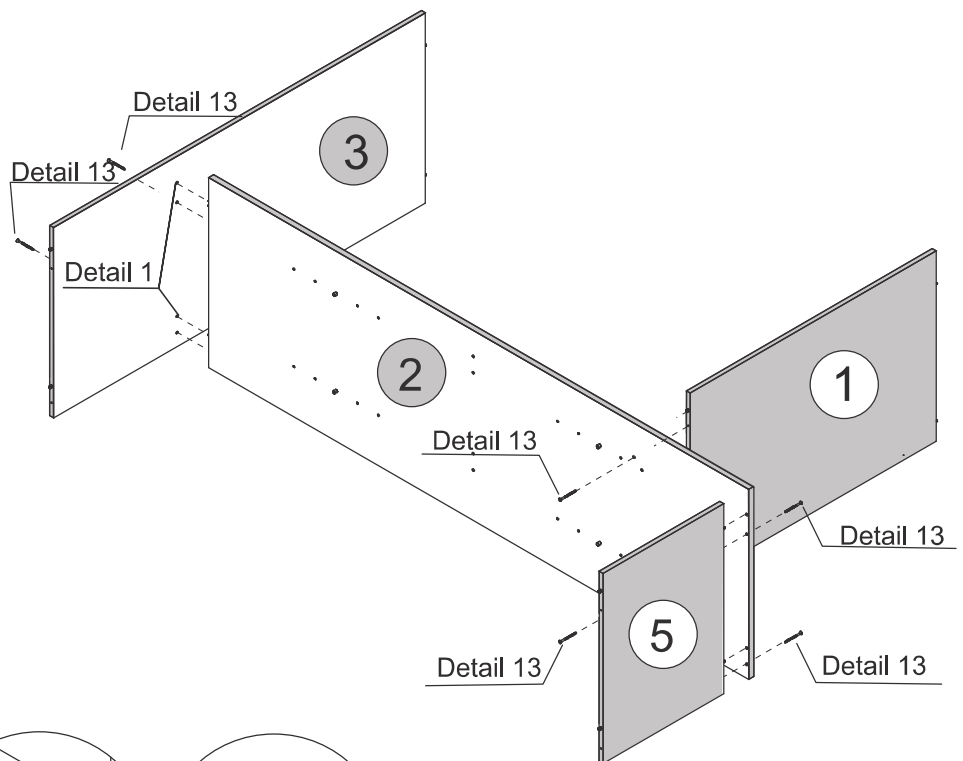
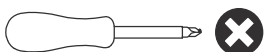
5 - SMALL BASE PANEL x1

HARDWARE REQUIRED

F  06
Ø4,0 x 50mm

V  01

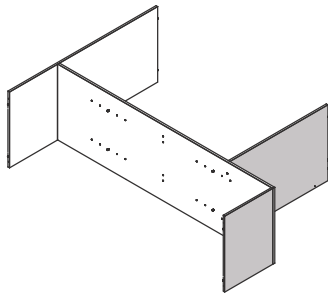
TOOLS REQUIRED




STEP 11

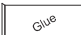
PARTS REQUIRED

4 - LEFT SIDE PANEL x1

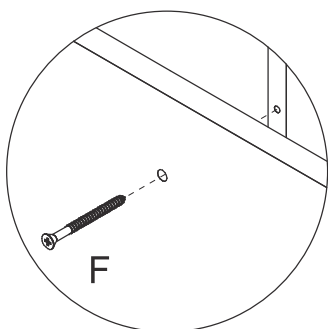
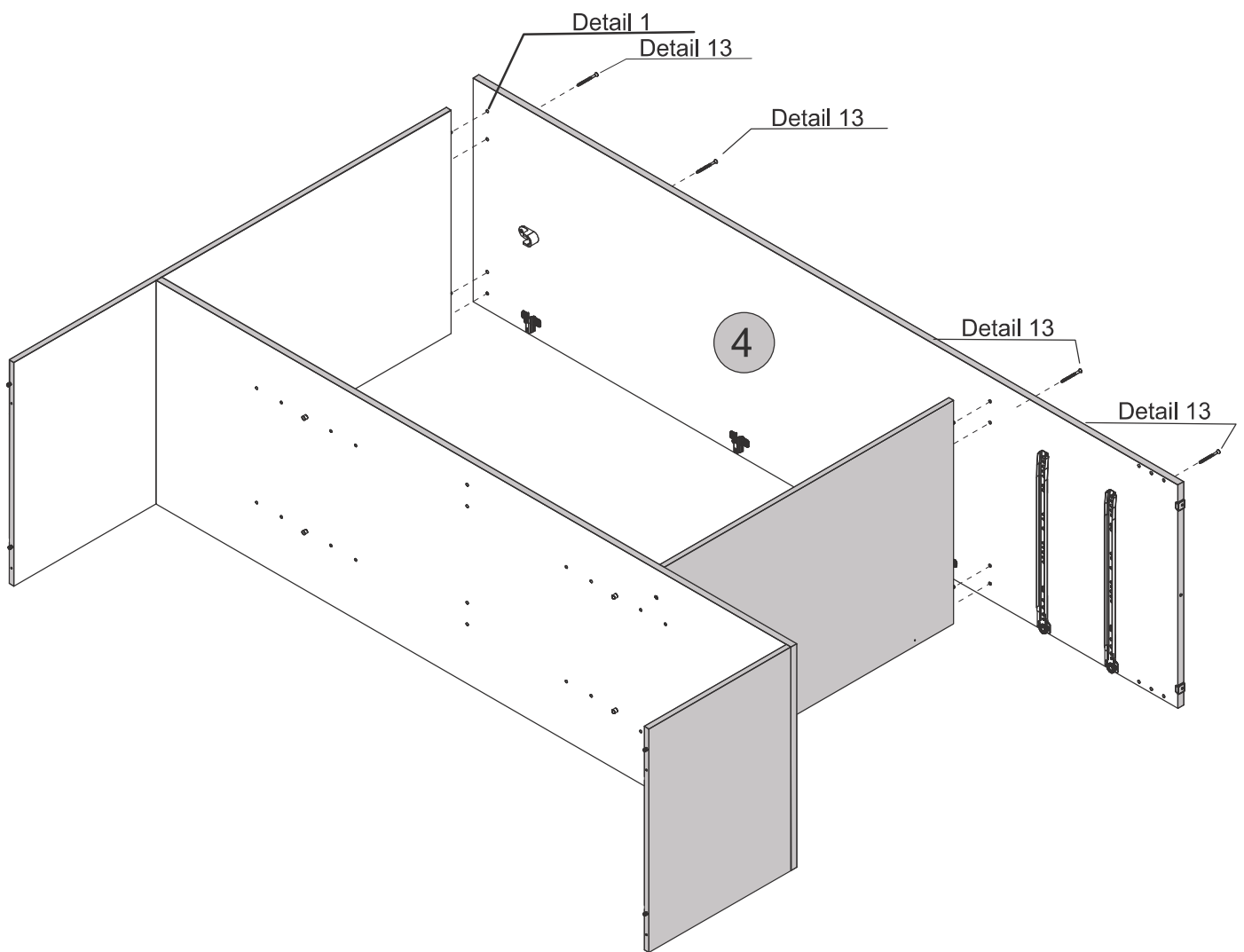
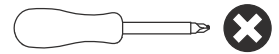


HARDWARE REQUIRED

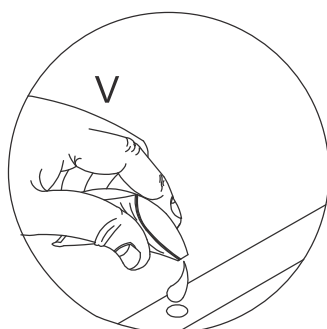
F  Ø4,0 x 50mm 04

V  Glue 01

TOOLS REQUIRED



Detail 13

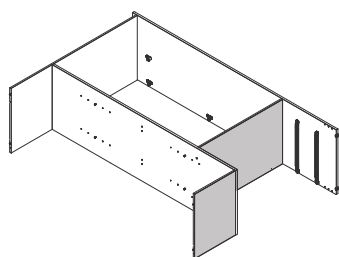


Detail 1

STEP 12




SEC/SW/04/23/HV1

PARTS REQUIRED

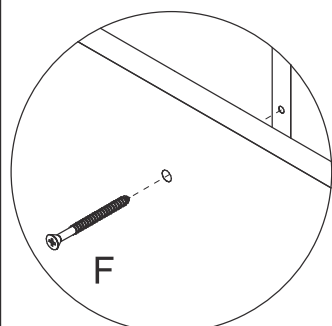
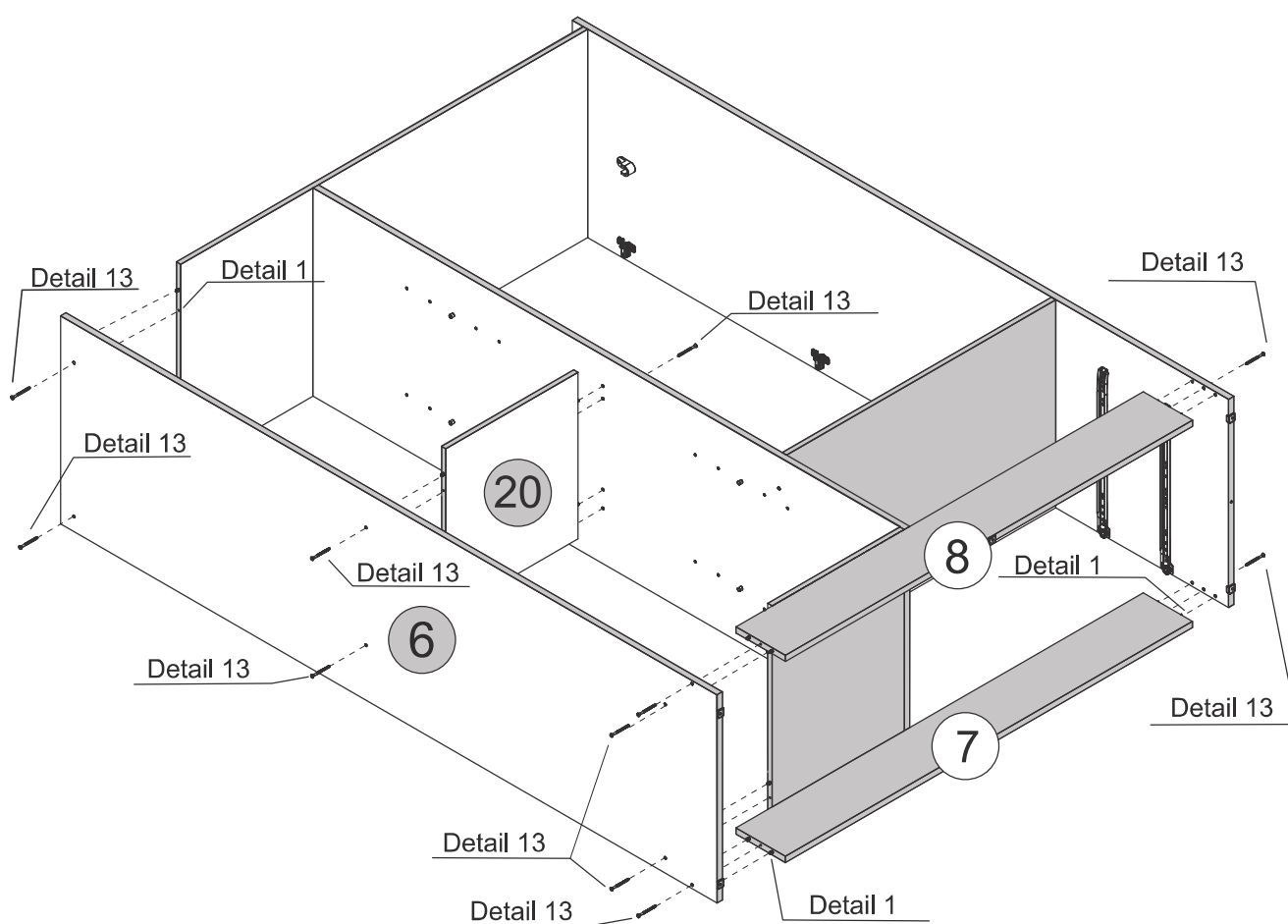
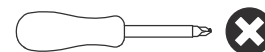


6 - RIGHT SIDE PANEL	x1
7 - FRONT BASEBOARD	x1
8 - BACK BASEBOARD	x1
20 - SHELF	x1

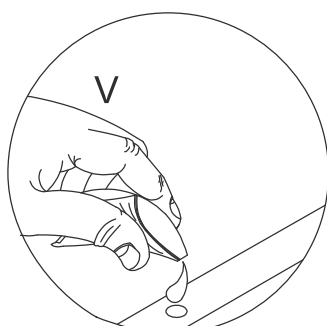
HARDWARE REQUIRED

F	  12 Ø4,0 x 50mm
V	 01

TOOLS REQUIRED



Detail 13

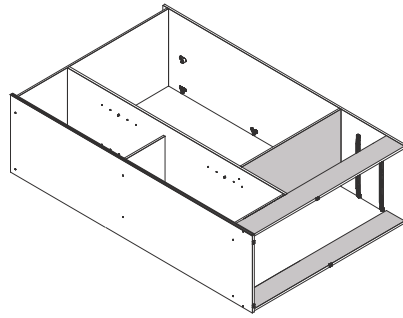


Detail 1

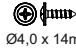
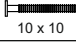
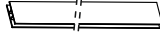
STEP 13

PARTS REQUIRED

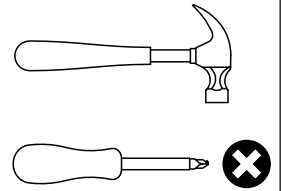
- 9 - SMALL BACK PANEL x2
- 21 - LARGE BACK PANEL x1



HARDWARE REQUIRED

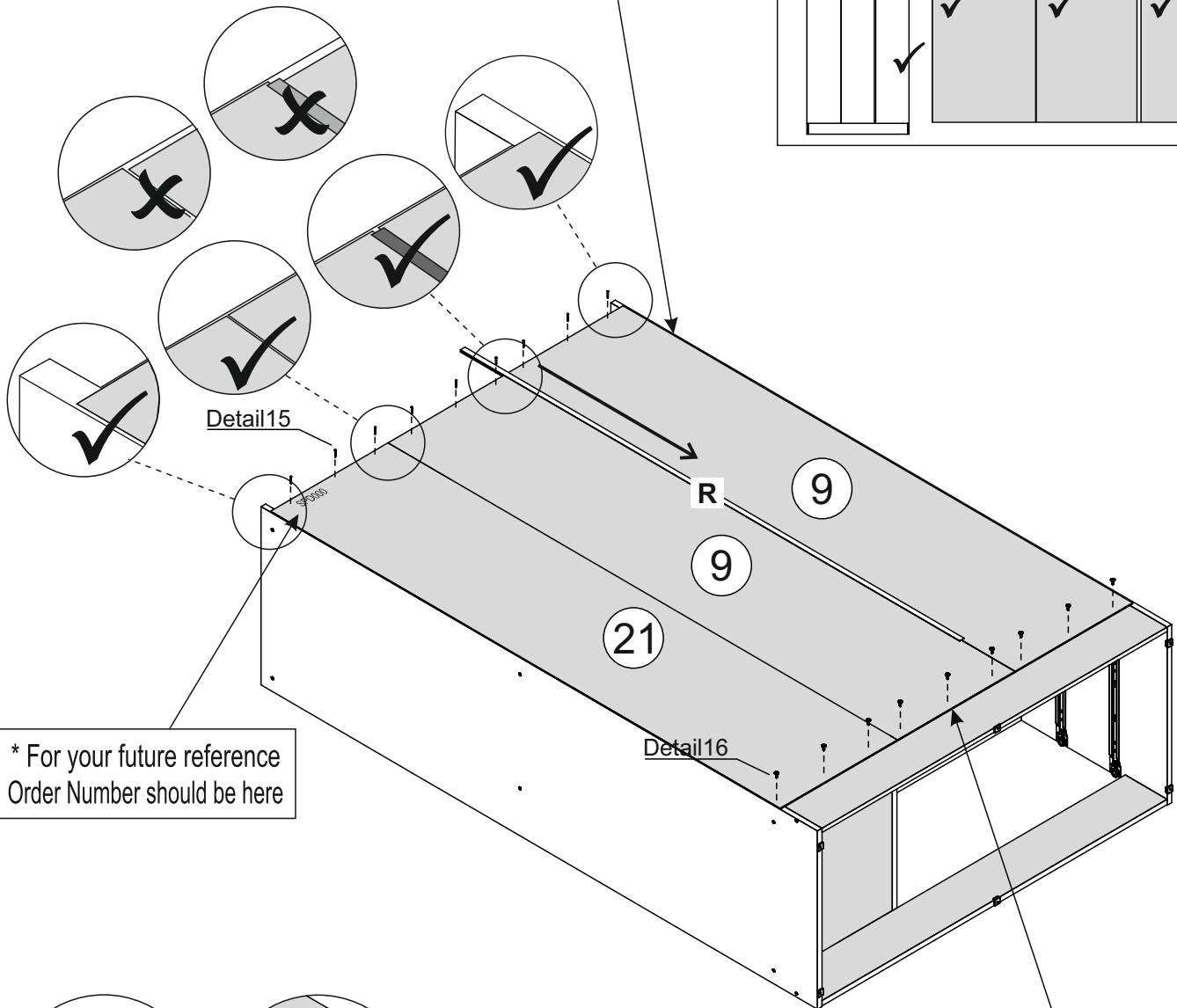
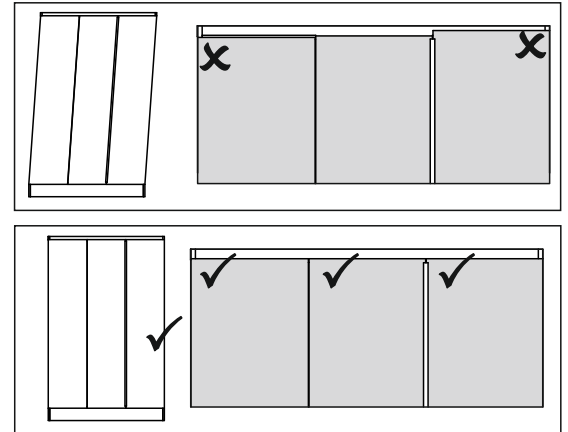
- B  09
Ø4,0 x 14mm
- H  09
10 x 10
- R  01

TOOLS REQUIRED



IMPORTANT PLEASE FOLLOW !

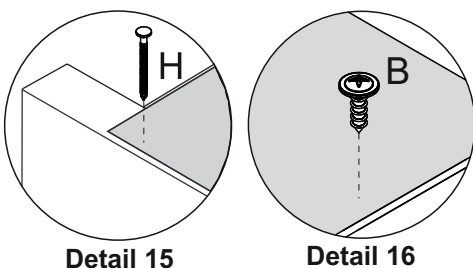
Please make sure Part 9/21 is lined up correctly at the top before placing fitting H into the panel as this can affect the alignment of the doors once assembled.



* For your future reference Order Number should be here

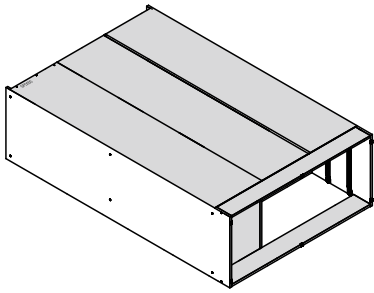
IMPORTANT PLEASE FOLLOW !

Please make sure Part 9/21 isn't overhanging at the sides before you screw fitting B into the plinth.

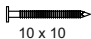



STEP 14

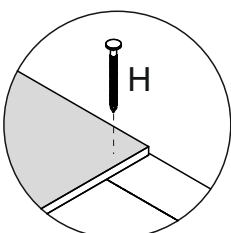
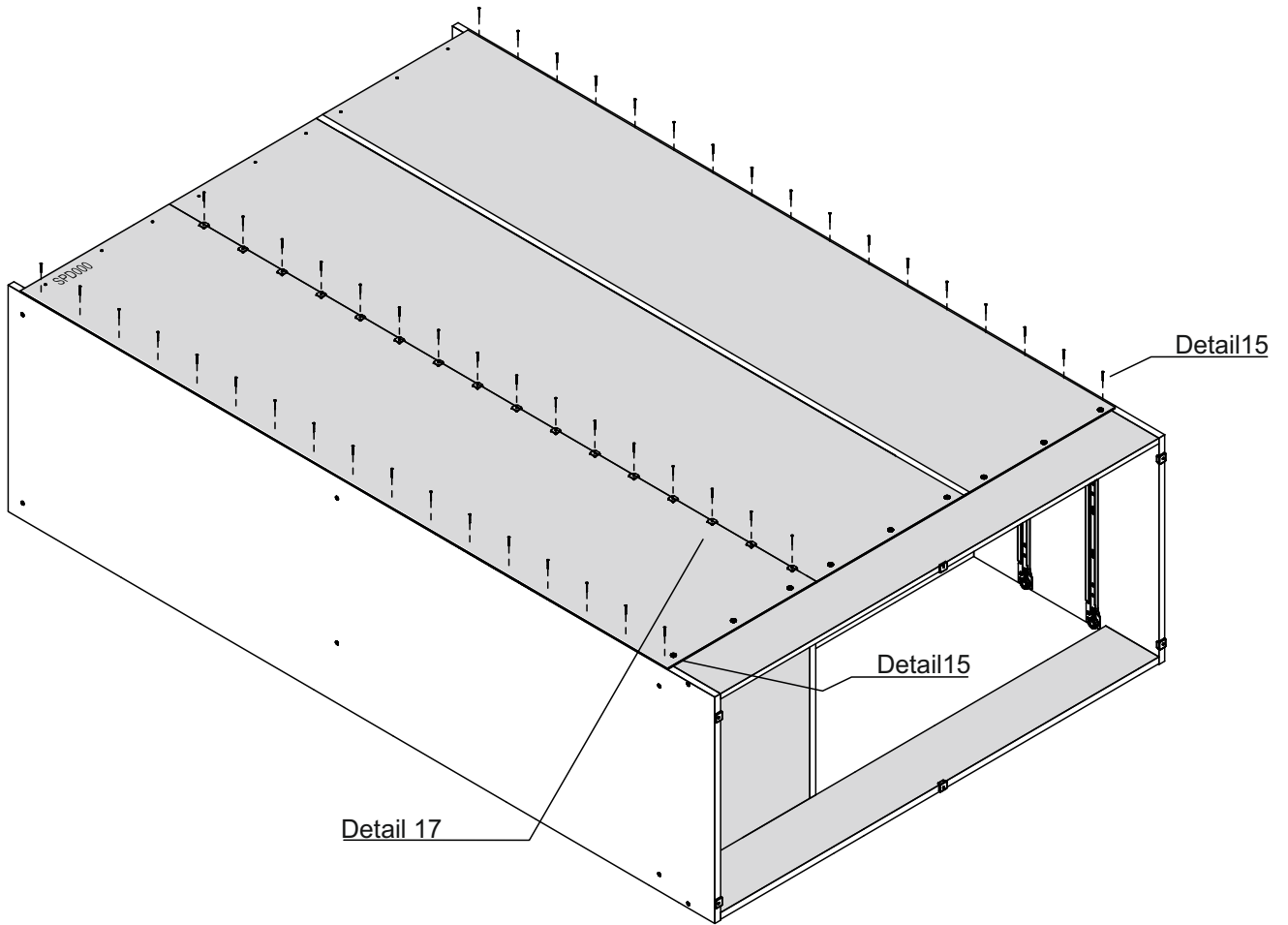
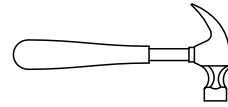
PARTS REQUIRED



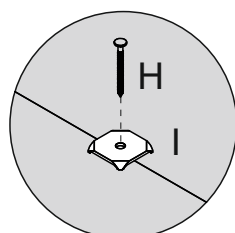
HARDWARE REQUIRED

H		50
I		16

TOOLS REQUIRED



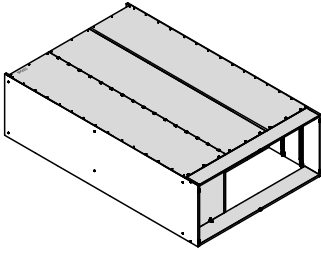
Detail 15



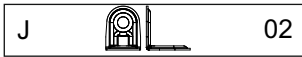
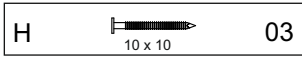
Detail 17

STEP 15

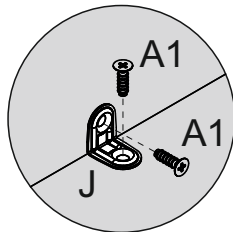
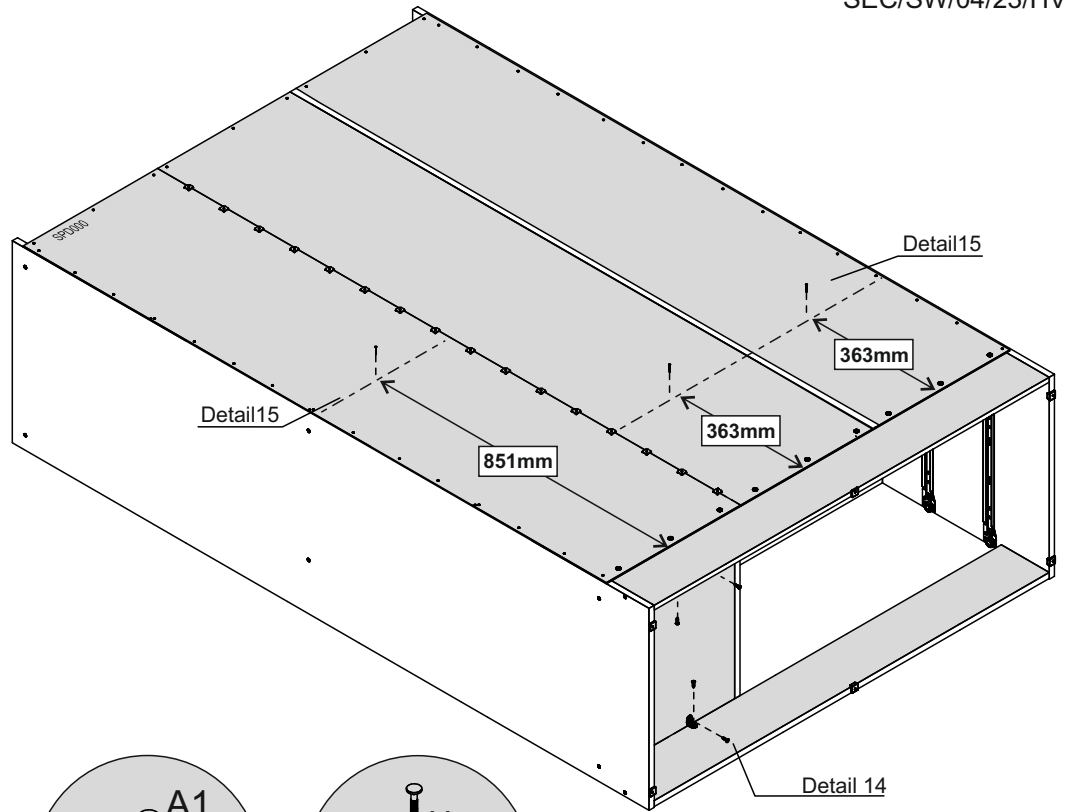
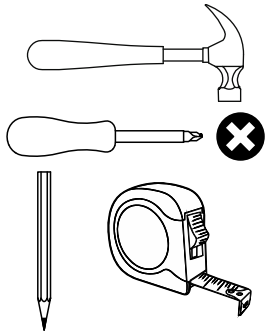
PARTS REQUIRED



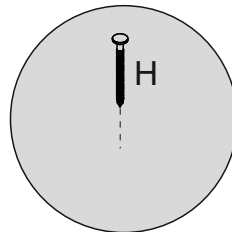
HARDWARE REQUIRED



TOOLS REQUIRED



Detail 14

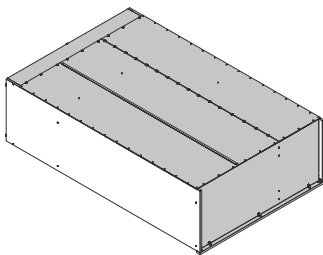


Detail 15

STEP 16

PARTS REQUIRED

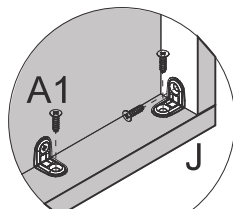
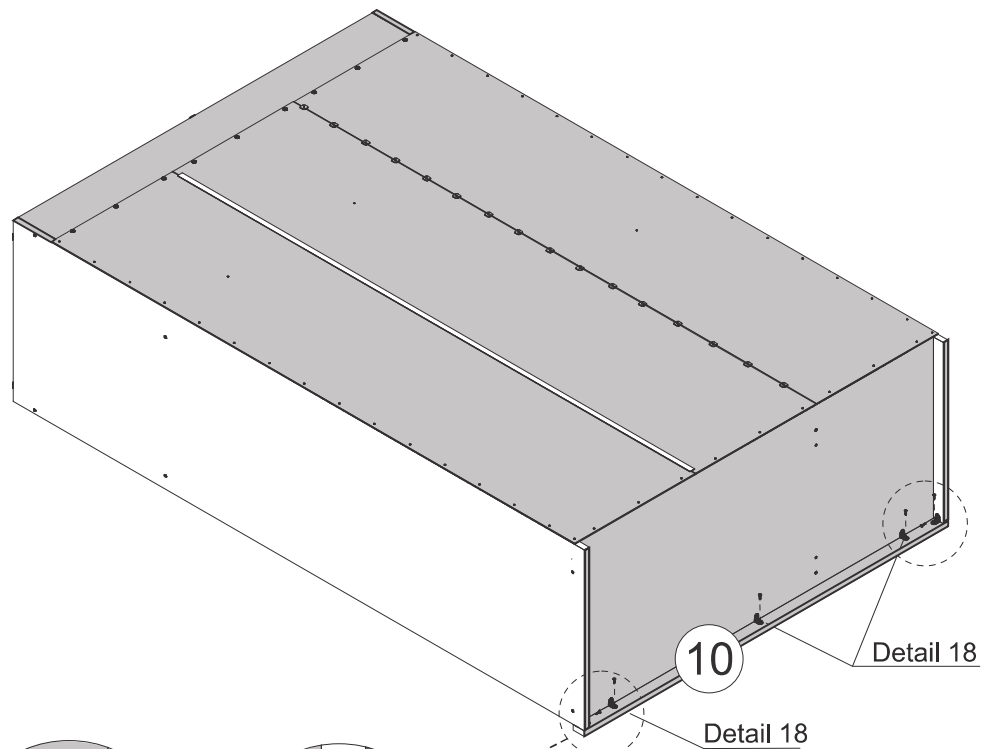
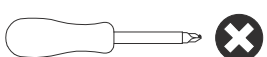
10 - FRAME x1



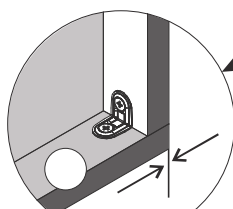
HARDWARE REQUIRED



TOOLS REQUIRED



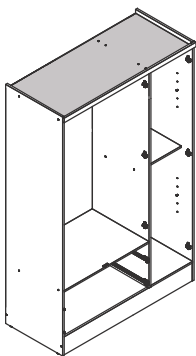
Detail 18



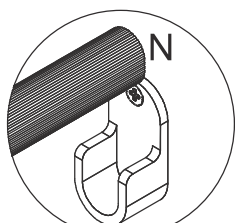
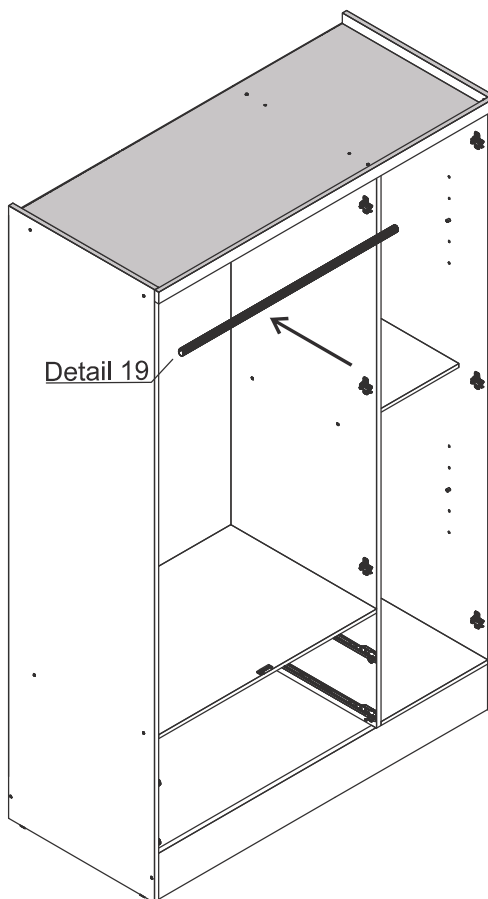
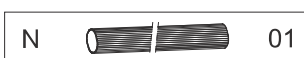
Align corners

STEP 17

PARTS REQUIRED



HARDWARE REQUIRED



Detail 19

STEP 18

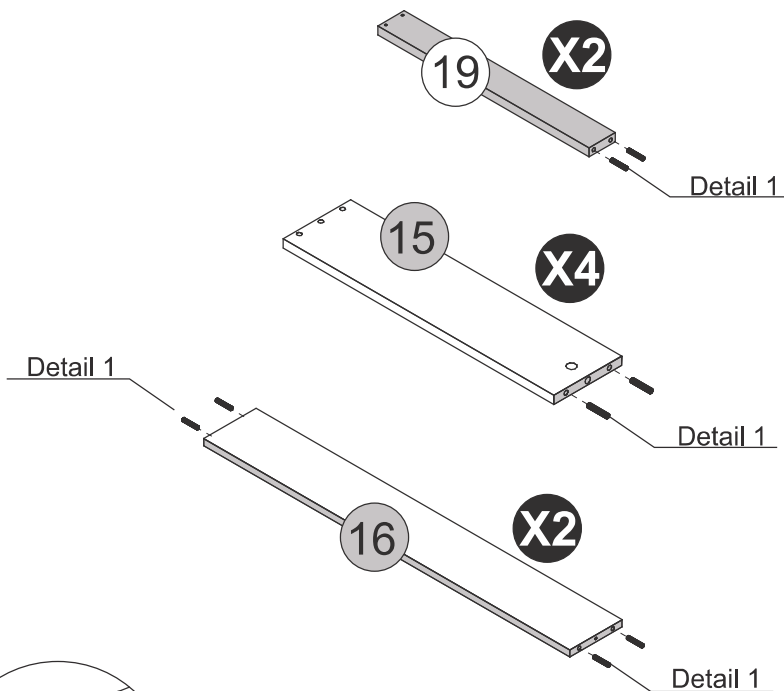
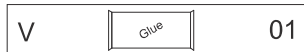
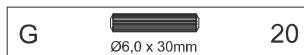
PARTS REQUIRED

15 - DRAWER SIDE	x4
------------------	----

16 - DRAWER BACK PANEL	x2
------------------------	----

19 - DRAWER BOTTOM SUPPORT BAR	x2
--------------------------------	----

HARDWARE REQUIRED



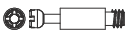
Detail 1

STEP 19

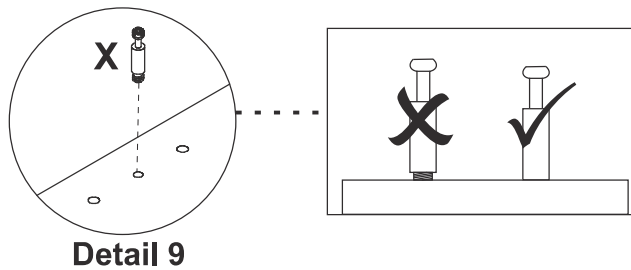
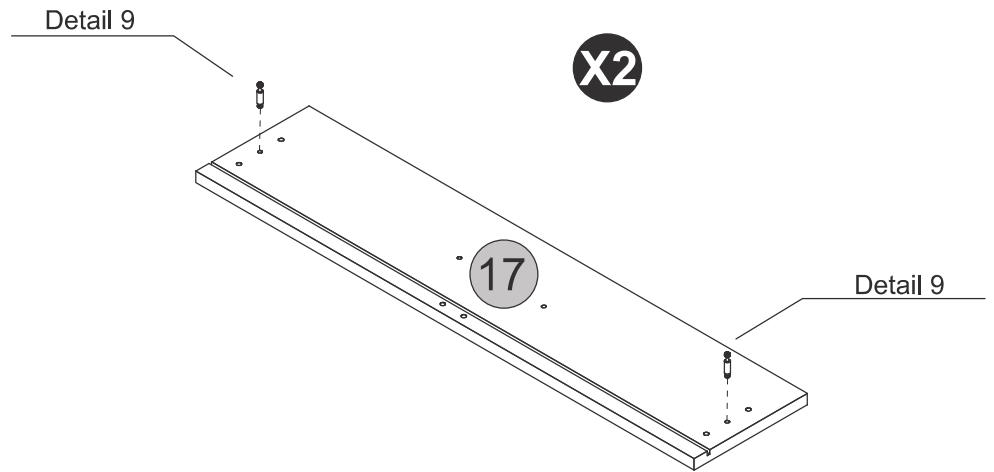
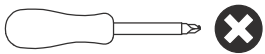
PARTS REQUIRED

17 - DRAWER FRONT x2

HARDWARE REQUIRED

X  04

TOOLS REQUIRED



STEP 20

PARTS REQUIRED

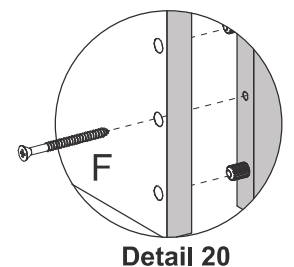
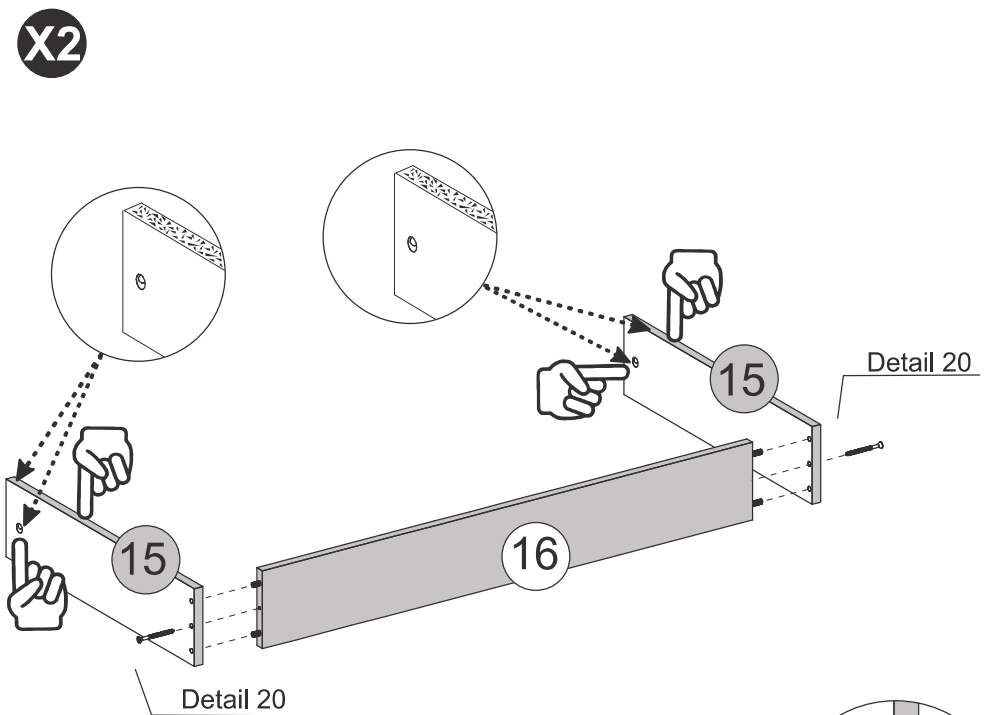
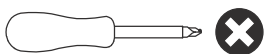
15 - DRAWER SIDE x4

16 - DRAWER BACK PANEL x2

HARDWARE REQUIRED

F  Ø4,0 x 50mm 04

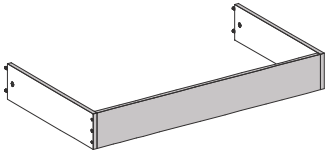
TOOLS REQUIRED




STEP 21


PARTS REQUIRED


17 - DRAWER FRONT x2



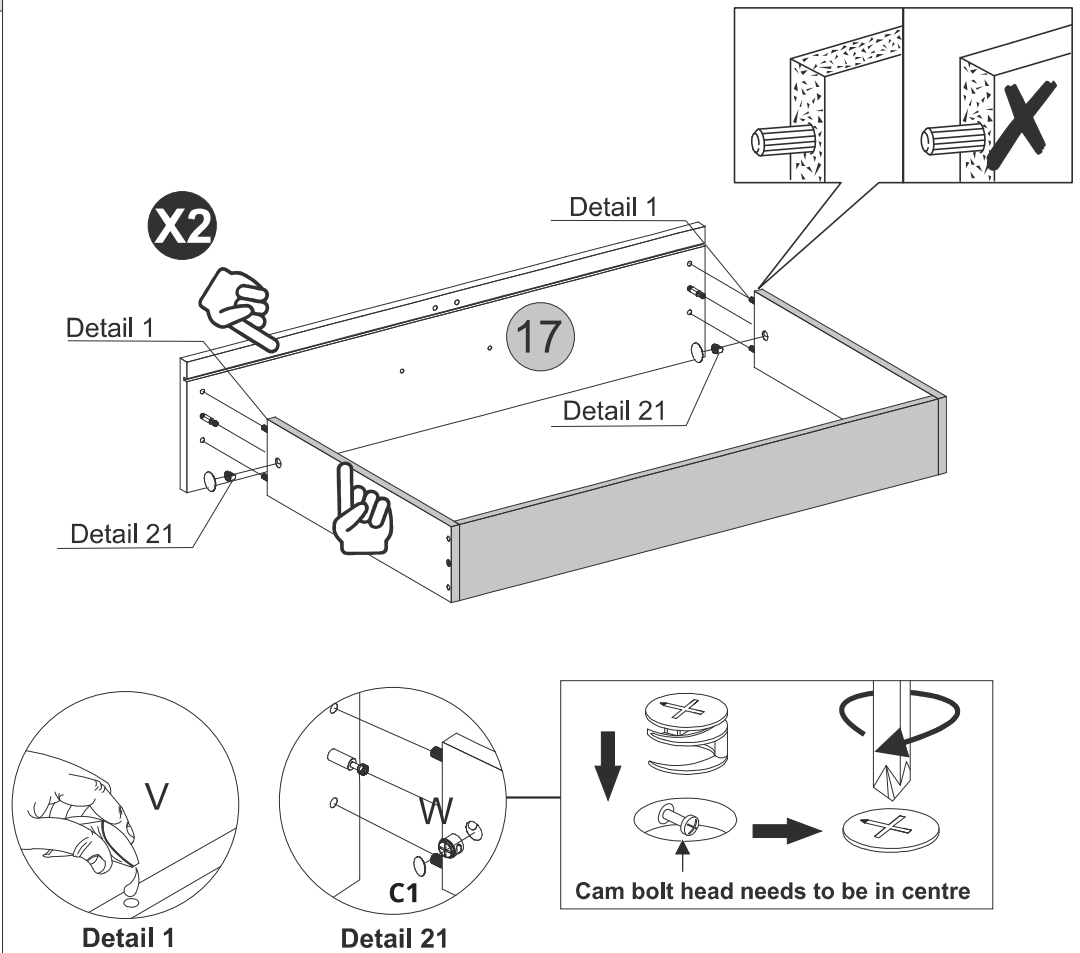
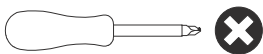
HARDWARE REQUIRED

C1  04

V  01

W  04

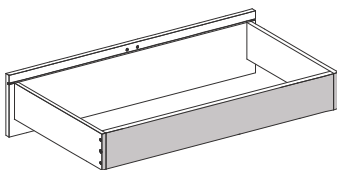
TOOLS REQUIRED



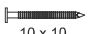
STEP 22

PARTS REQUIRED

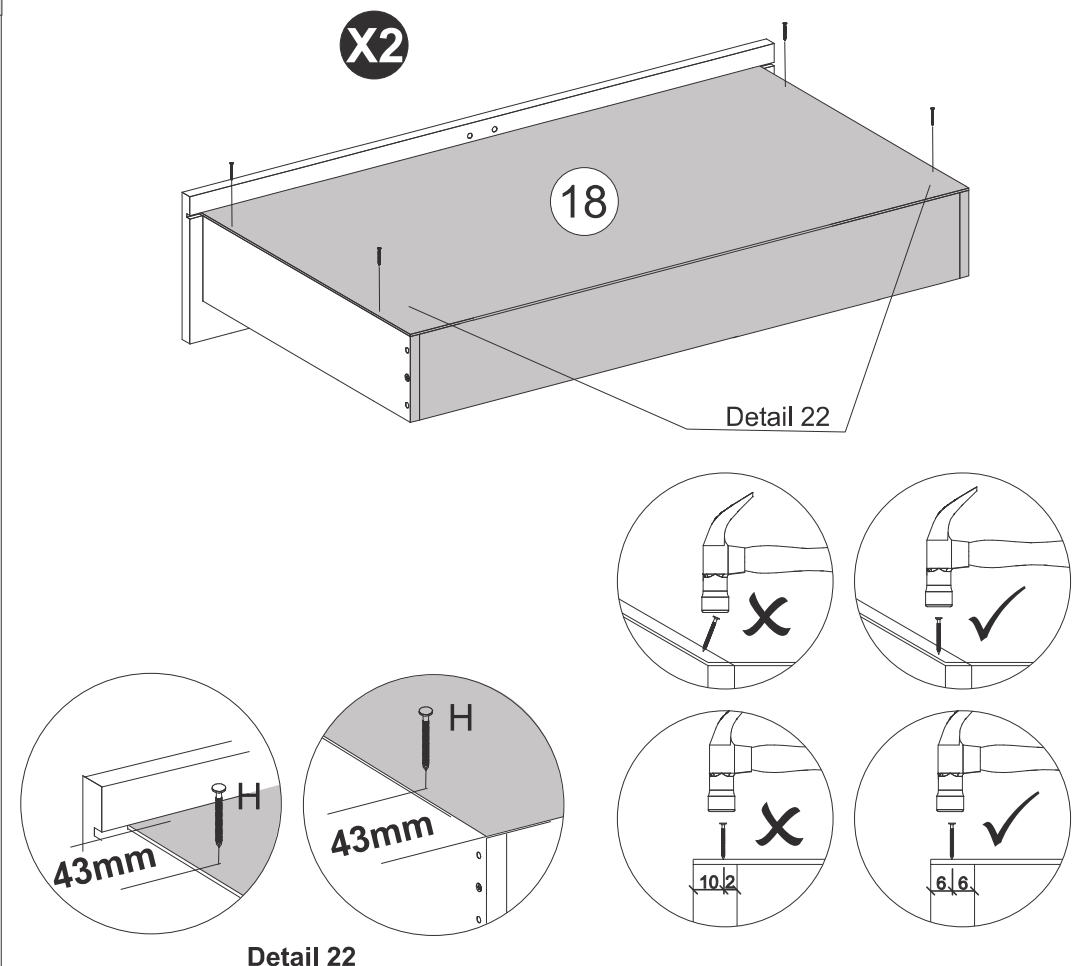
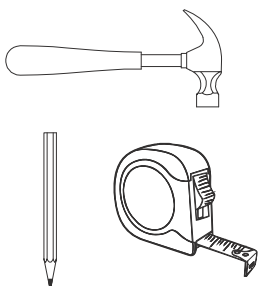
18 - DRAWER BOTTOM x2



HARDWARE REQUIRED

H  10 x 10 08

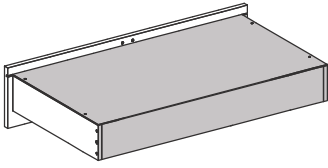
TOOLS REQUIRED




STEP 23


PARTS REQUIRED

19 - DRAWER BOTTOM SUPPORT BAR X2

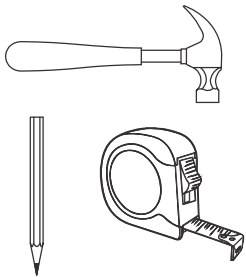


HARDWARE REQUIRED

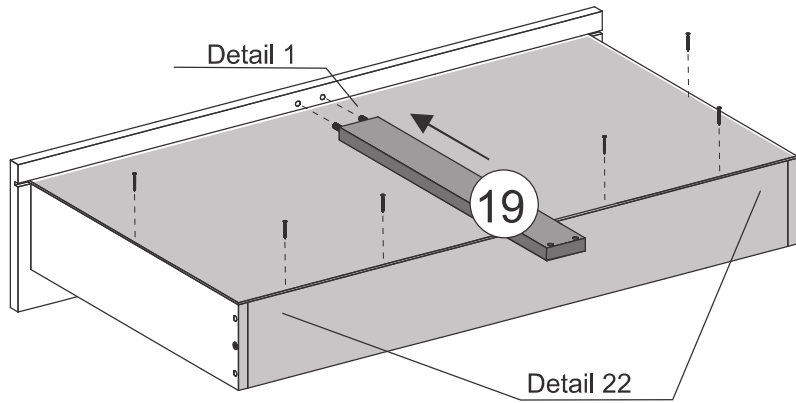
H  12

V  01

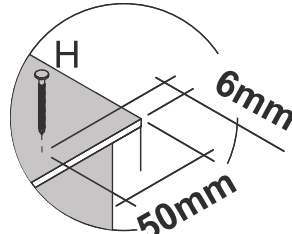
TOOLS REQUIRED



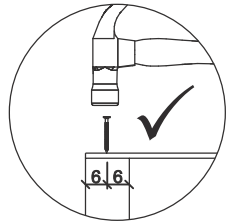
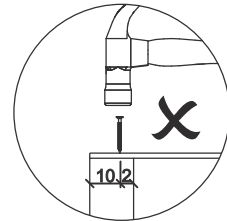
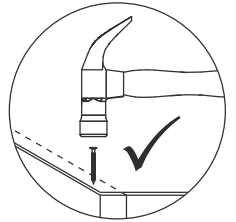
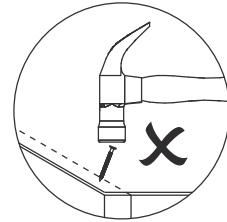
X2



Detail 1

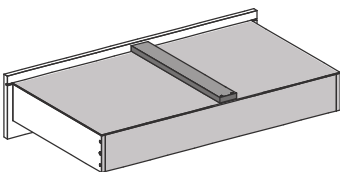


Detail 22

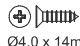


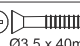
STEP 24

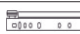
PARTS REQUIRED




HARDWARE REQUIRED

C  08

E  04

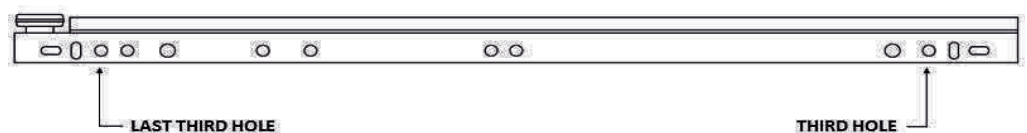
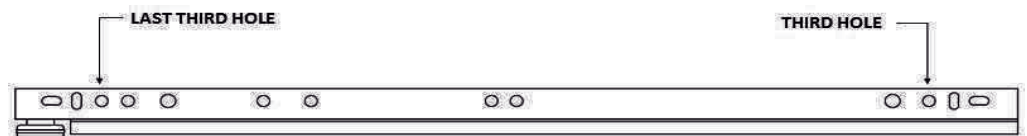
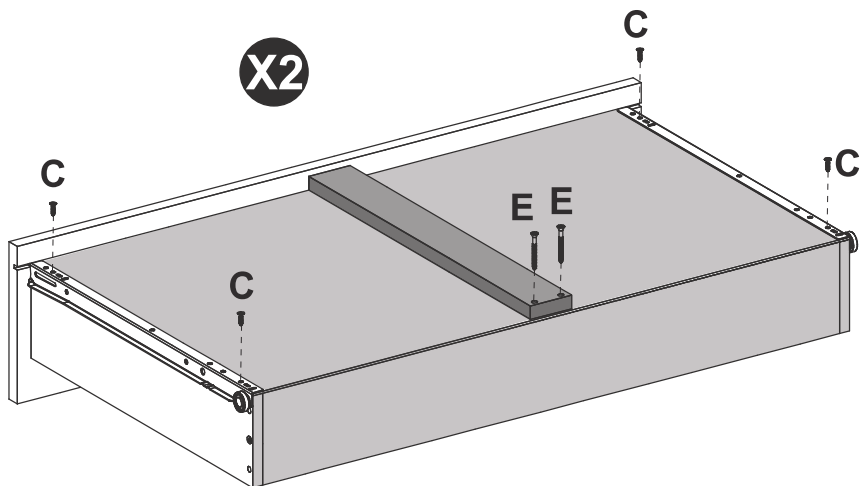
Q  02

Q  02

TOOLS REQUIRED



X2

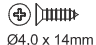



STEP 25

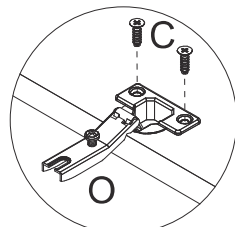
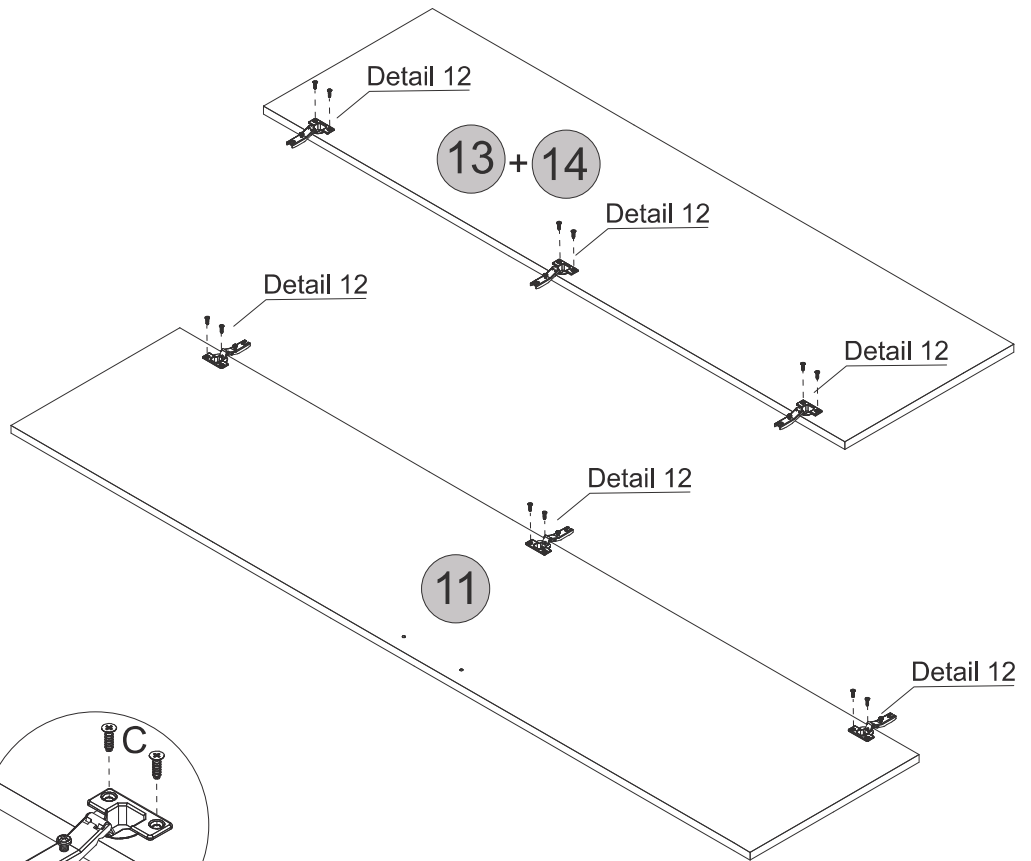
PARTS REQUIRED

11 - LARGE DOOR	x1
13 - RIGHT SMALL DOOR	x1
14 - LEFT SMALL DOOR	x1

HARDWARE REQUIRED

C		18
O		09

TOOLS REQUIRED

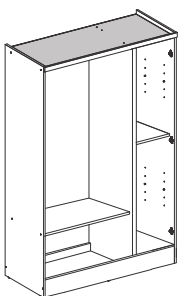


Detail 12

STEP 26

PARTS REQUIRED

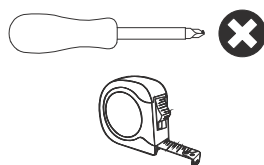
11 - LARGE DOOR	x1
13 - RIGHT SMALL DOOR	x1
14 - LEFT SMALL DOOR	x1



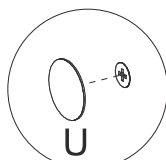
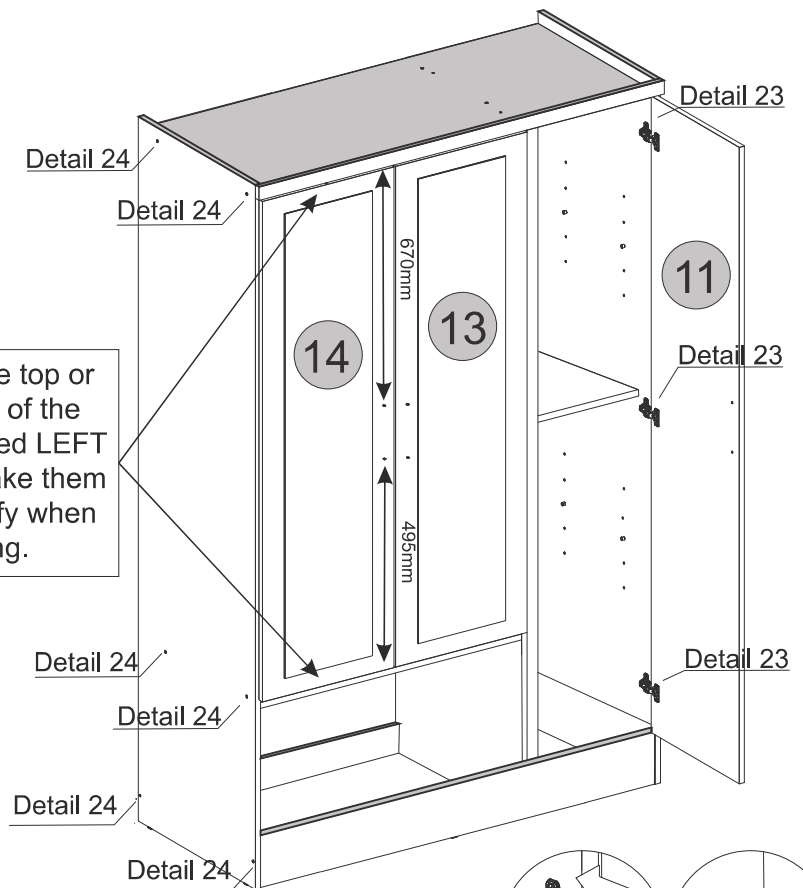
HARDWARE REQUIRED

U		14
---	---	----

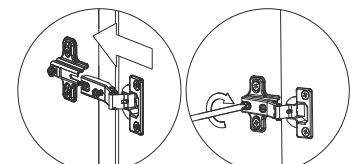
TOOLS REQUIRED



!
Please note the top or bottom edges of the doors are labelled LEFT or RIGHT to make them easier to identify when assembling.



Detail 24

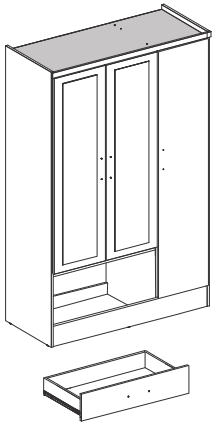


Detail 23

STEP 27

PARTS REQUIRED

12 - MOVEABLE SHELF x2

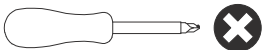


HARDWARE REQUIRED

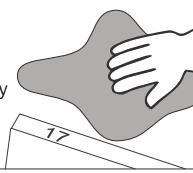
D  10
Ø4,0 x 22mm

T  05

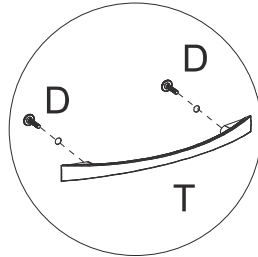
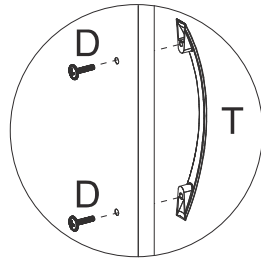
TOOLS REQUIRED



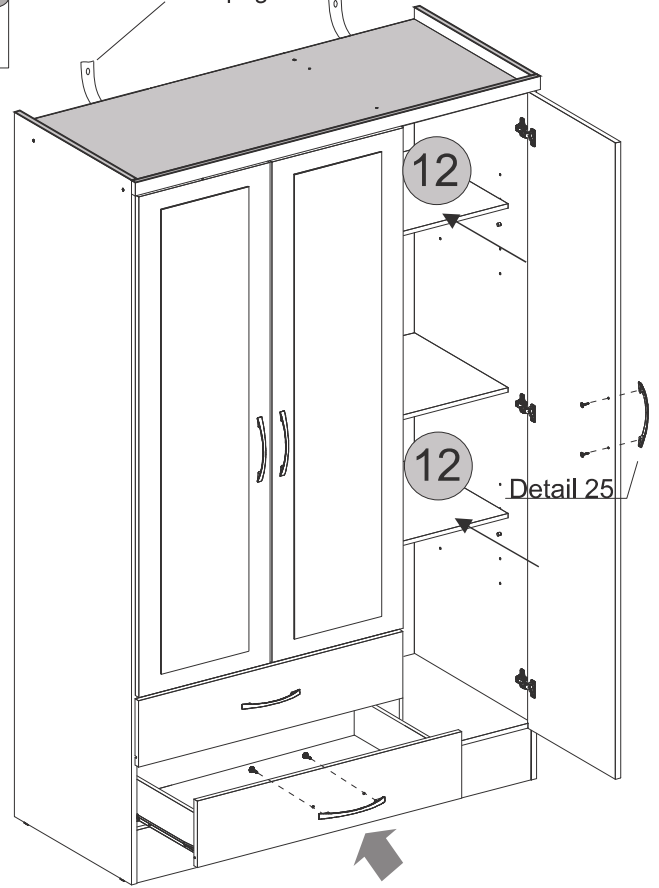
TIP
If desired, after assembly use an alcohol cleaner to erase the number printed on the parts.



See the last page



Detail 25




STEP 28

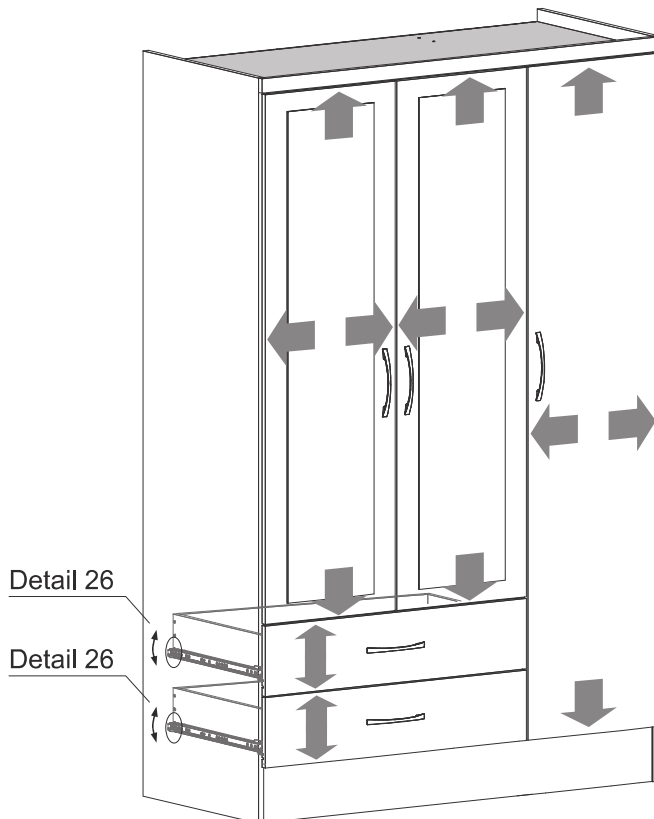
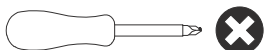
PARTS REQUIRED



HARDWARE REQUIRED

C  04
Ø4,0 x 14mm

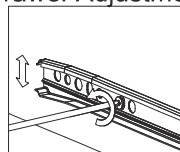
TOOLS REQUIRED



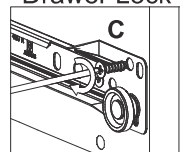
Detail 26

Detail 26

Drawer Adjustment

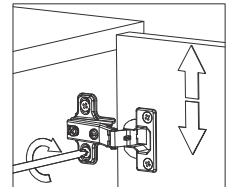


Drawer Lock

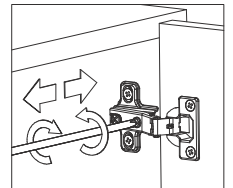


Detail 26

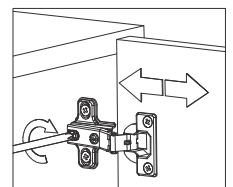
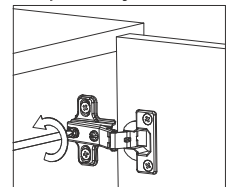
Height Adjustment



Internal Adjustment



Depth Adjustment



WARNING

Serious or fatal injuries can occur from furniture tipping over. To prevent the furniture from tipping over we recommend that it is permanently fixed to the wall.

Wall fixings are not supplied with this product as different wall materials require different types of fixing devices. Please make sure you use fixings suitable for the walls in your home.

