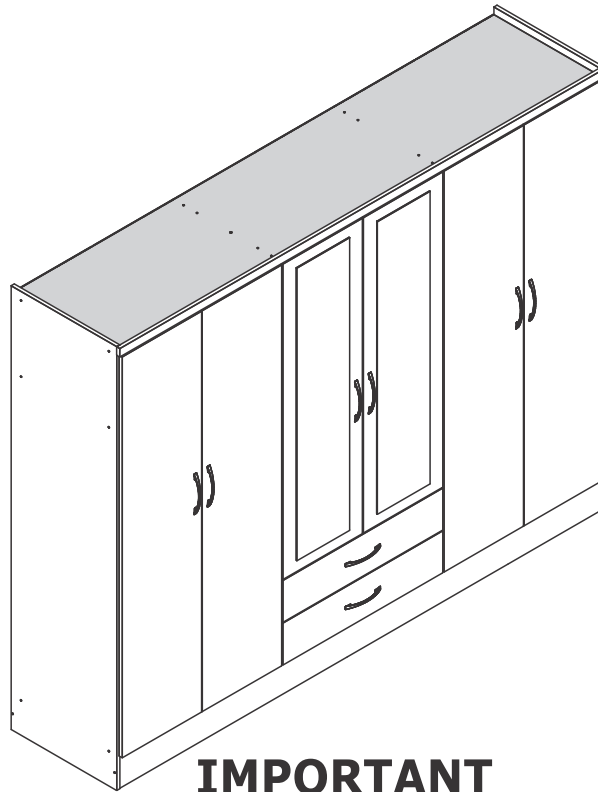


NEVADA 6 DOOR 2 DRAWER WARDROBE ASSEMBLY INSTRUCTIONS



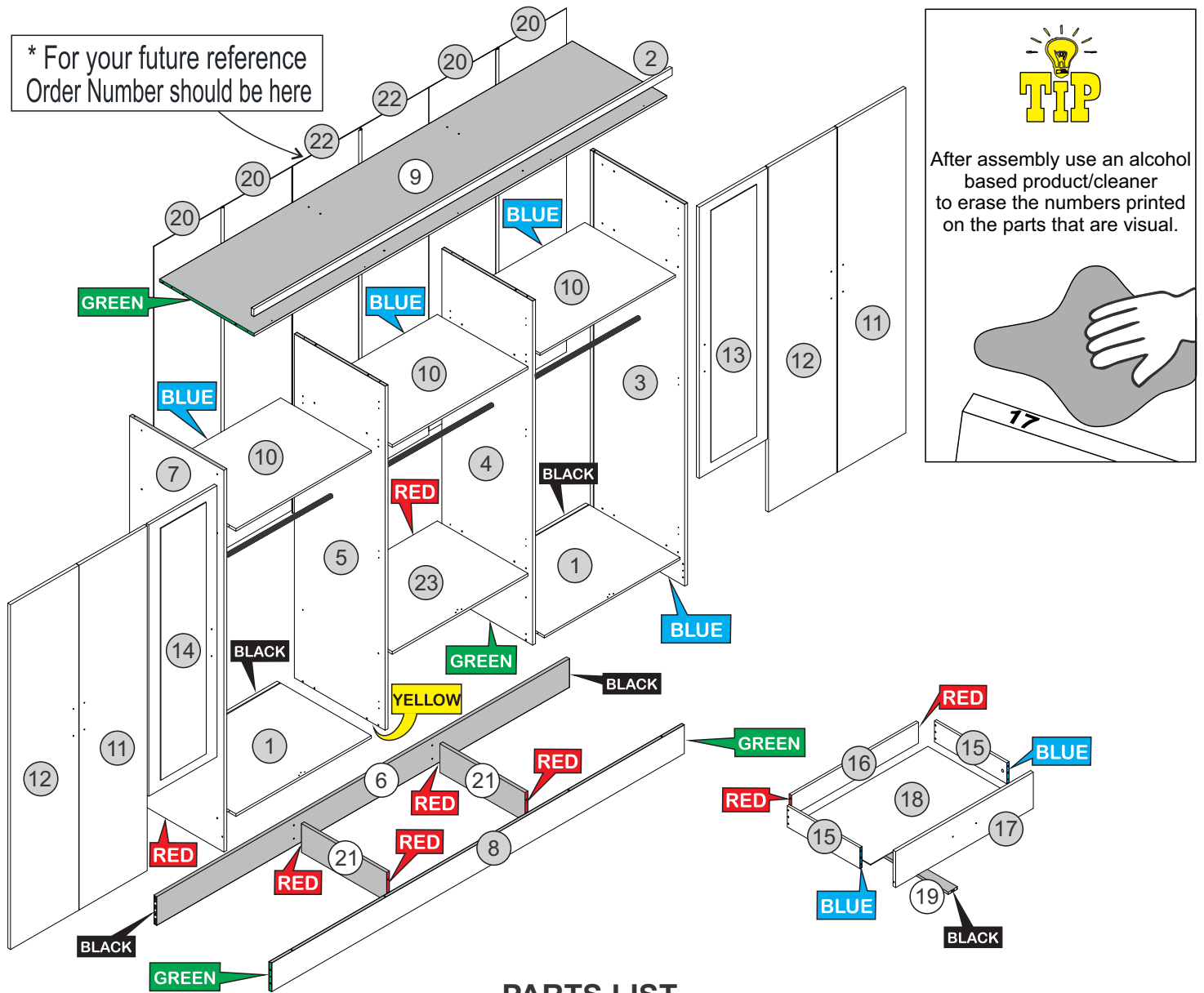
IMPORTANT
FOR DOMESTIC USE ONLY
PLEASE READ BEFORE YOU CONTINUE FURTHER

CARE AND MAINTENANCE

After unpacking this product please keep the original packaging in case it needs to be returned for any reason.

- Please ensure all fittings and parts are present before commencing with assembly.
- Never drag or push products as this could cause damage to the joints making it inferior.
- We strongly recommend that you keep children away from your work area.
- We recommend that you lay a blanket or sheet on the floor to avoid damage to both your floor and the product.
- Assemble this product as close to its final position as possible.
- Do not place this product next to a radiator or in direct sunlight.
- Do not drag or push items across your high gloss furniture as this may cause the surface to scratch
- Wood is a natural product and may expand if subjected to damp and may shrink or crack if subjected to heat. Therefore it is recommended that room temperature is maintained, with no sudden temperature fluctuations.
- Make sure any spillage is wiped off immediately.
- Do not place hot or chilled items directly on to the surface, use a place mat or marking will occur.
- For general cleaning use a soft cotton or micro fibre cloth, and do not use detergents of any kind.
- From time to time it may be necessary to tighten fittings, regular inspections should be carried out.
- Do not place on a wet or damp floor as staining may occur to your floor.

* For your future reference
Order Number should be here



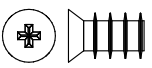
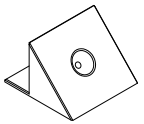
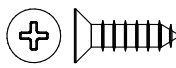
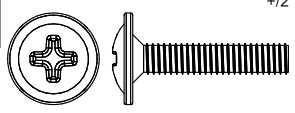

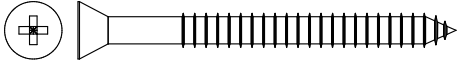
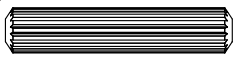

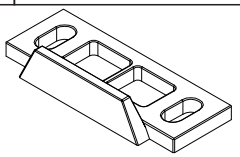
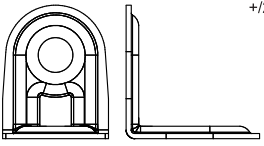
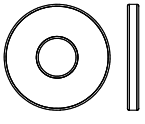
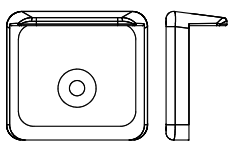
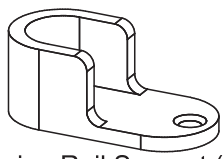

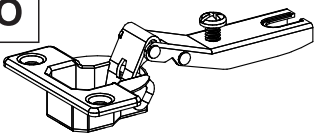
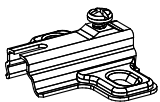
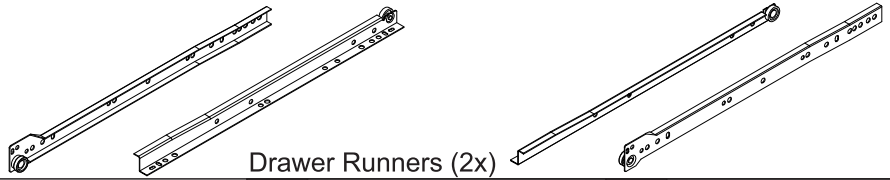





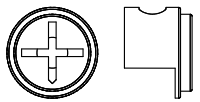
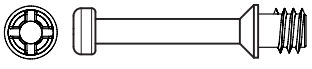
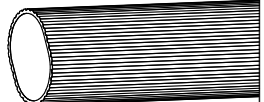
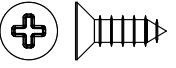
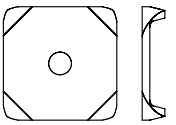
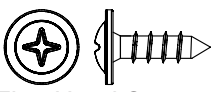
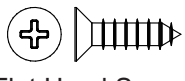
PARTS LIST

Please Note:

The below parts have all been stamped with the part number/color to help identify them during assembly.


Part Number	Part Description	Quantity	Carton
1	Base Panel - Black	2	2/4
2	Frame	1	3/4
3	Right Side Panel - Blue	1	1/4
4	Right Division Panel - Green	1	1/4
5	Left Division Panel - Yellow	1	2/4
6	Back Baseboard - Black	1	3/4
7	Left Side Panel - Red	1	1/4
8	Front Baseboard - Green	1	3/4
9	Top Panel - Green	1	3/4
10	Upper Panel - Blue	3	2/4
11	Right Large Door	2	4/4
12	Left Lagre Door	2	3/4
13	Right Small Door	1	4/4
14	Left Small Door	1	4/4
15	Drawer Side - Blue	4	1/4
16	Drawer Back Panel - Red	2	1/4
17	Drawer Front	2	1/4
18	Drawer Bottom	2	2/4
19	Drawer Bottom Support Bar - Black	2	1/4
20	Back Panel	4	4/4
21	Central Baseboard - Red	2	1/4
22	Centre Back Panel	2	2/4
23	Shelf Over Drawer - Red	1	2/4


FITTINGS LIST

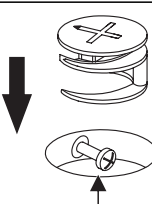
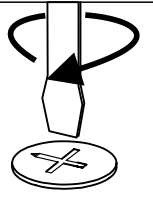
A  Flat Head Screw Ø6,0 x 10mm (8x) +1	B  Plastic Corner Bracket (12x) 2/+	C  Flat Head Screw Ø4,0 x 14 mm (96x) +2	D  Flan Head Screw Ø4,0 x 20mm (16x) +2
E  Flat Head Screw Ø3,5 x 40mm (4x) +1	F  Flat Head Screw Ø4,0 x 50 mm (44x) +2	G  Dowel Ø6,0 x 30mm (76x) +2	
H  Nail 10 x 10 (70x) +2	I  Door Stopper (6x)	J  'L' Metallic Support (11x) +2	K  Washer (4x) +1
L  Plastic Foot (8x) +1	M  Hanging Rail Support (6x)	N  Flan Head Screw Ø3,5 x 30mm (2x) +1	O  Hinge (18x)
P  Hinge Plate (18x)	Q  Drawer Runners (2x)		
R  Back Panel Strip (3x)	S  Strap (2x)	T  Handle (8x)	U  Hole Plugs (38x) +2
V  Glue (2x)	W  Cam Nut (4x) +1	X  Cam Bolt (4x) +1	Y  Hanging Rail (3x)
Z  Flat Head Screw Ø4,0 x 12mm (34x) +2	A1  Back Panel Bracket (16x) 2/+	B1  Flan Head Screw 3,5 x14mm (6x) 1/+	C1  Flat Head Screw 3,5 x16mm (12x) 2/+

TIPS FOR FITTINGS CAM-LOCKS

WHEN FITTING A CAM NUT. ENSURE STARTING POSITION IS CORRECT BEFORE YOU INSERT CONNECTING CAM BOLT TURN CLOCKWISE UNTIL SECURE

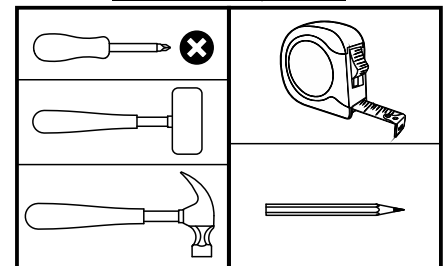

 ✓
 CORRECT


 ✗
 WRONG

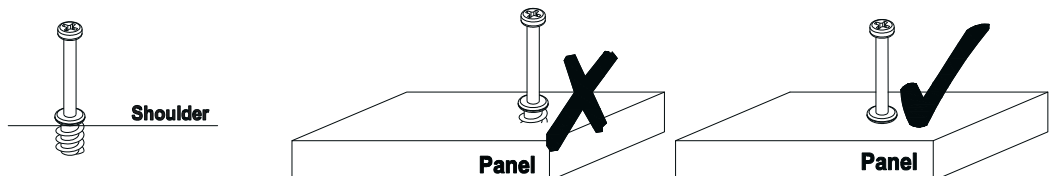
Cam bolt head needs to be in centre

TOOLS REQUIRED



CAMBOLT

Tighten until shoulder is flush with panel. Do not overtighten or undertighten (see example beside)



STEP 1


PARTS REQUIRED

1 - BASE PANEL - BLACK x2

10 - UPPER PANEL - BLUE x3

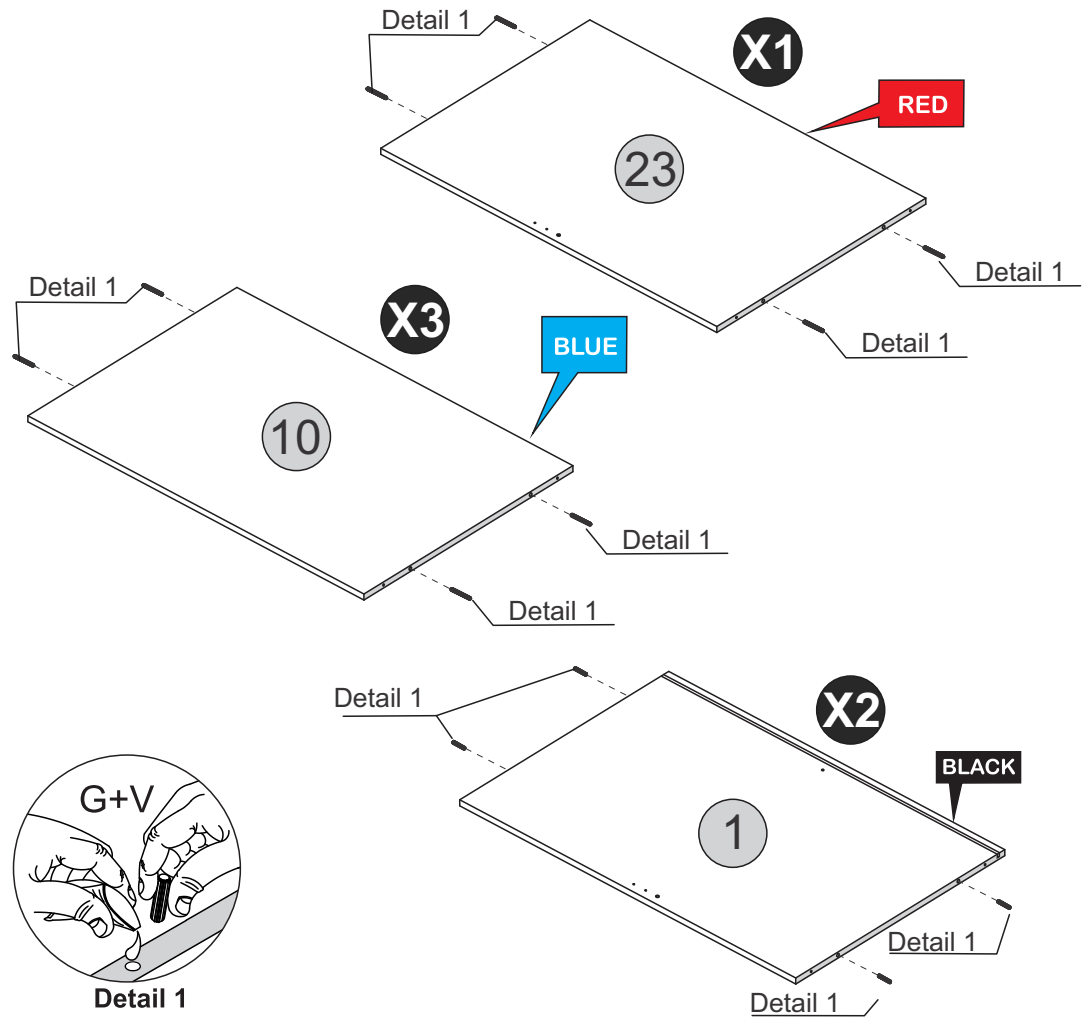
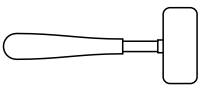
23 - SHELF OVER DRAWER - RED x1

HARDWARE REQUIRED

G  24
Ø6,0 x 30mm

V  01

TOOLS REQUIRED




STEP 2

PARTS REQUIRED

6 - BACK BASEBOARD - BLACK x1


8 - FRONT BASEBOARD - GREEN x1

HARDWARE REQUIRED

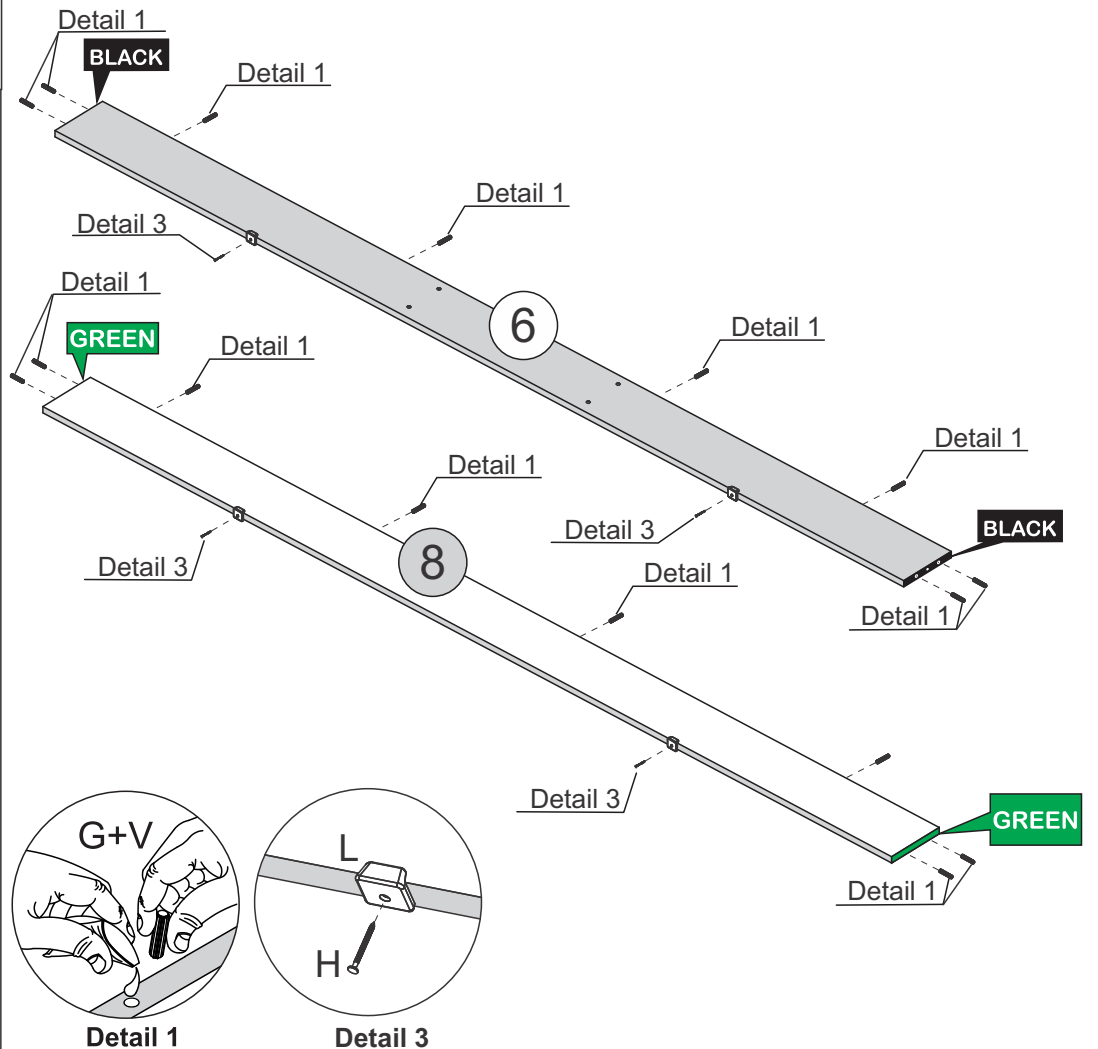
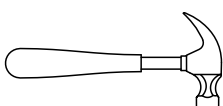
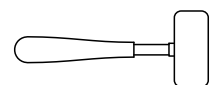
G  16
Ø6,0 x 30mm

H  04

L  04

V  01

TOOLS REQUIRED

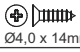


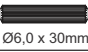
STEP 3

PARTS REQUIRED

5 - LEFT DIVISION PANEL - YELLOW x1

HARDWARE REQUIRED

C  08
Ø4,0 x 14mm

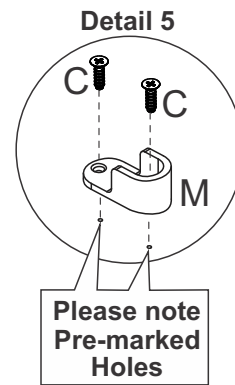
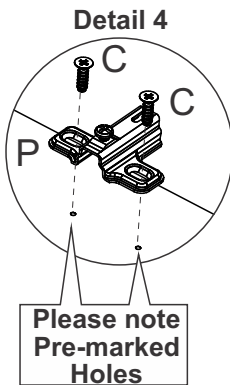
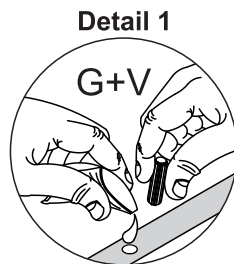
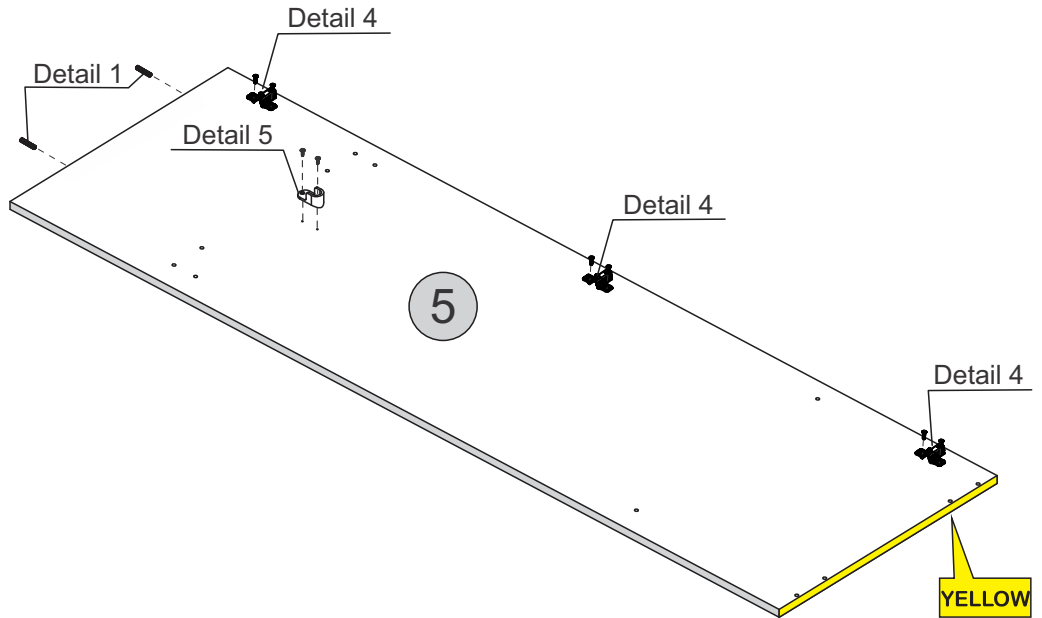
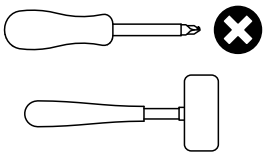
G  02
Ø6,0 x 30mm

M  01

P  03

V  01

TOOLS REQUIRED



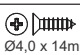
STEP 4

PARTS REQUIRED

5 - LEFT DIVISION PANEL - YELLOW x1


HARDWARE REQUIRED

A  04
Ø6,0 x 10mm

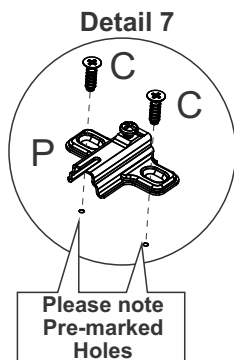
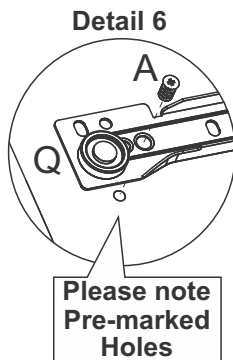
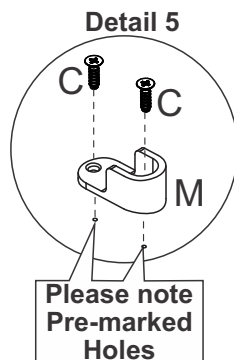
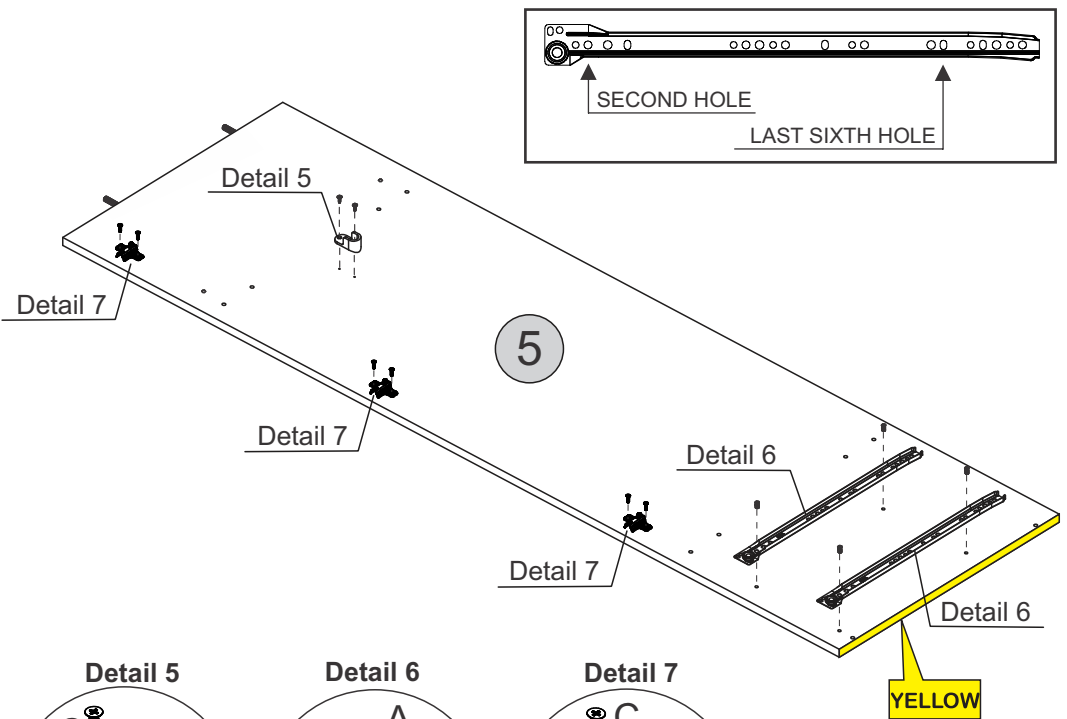
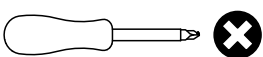
C  08
Ø4,0 x 14mm

M  01

P  03

Q  Left 02

TOOLS REQUIRED




STEP 5

PARTS REQUIRED

4 - RIGHT DIVISION PANEL - GREEN x1

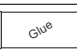
HARDWARE REQUIRED

C  08
Ø4,0 x 14mm

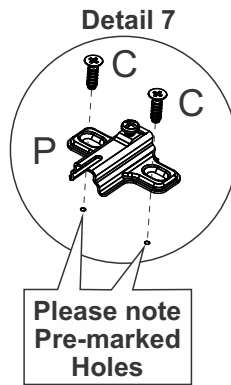
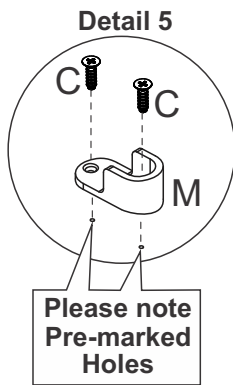
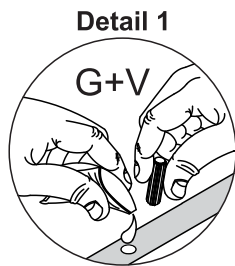
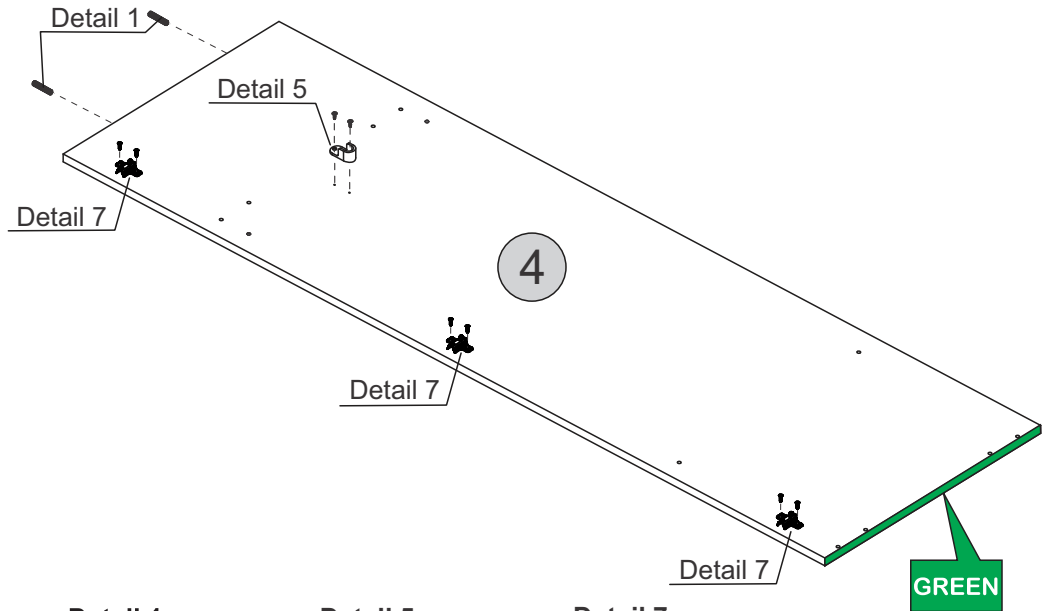
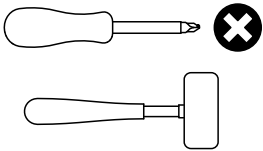
G  02
Ø6,0 x 30mm

M  01

P  03

V  01
Glue

TOOLS REQUIRED



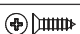
STEP 6

PARTS REQUIRED

4 - RIGHT DIVISION PANEL - GREEN x1

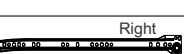
HARDWARE REQUIRED

A  04
Ø6,0 x 10mm

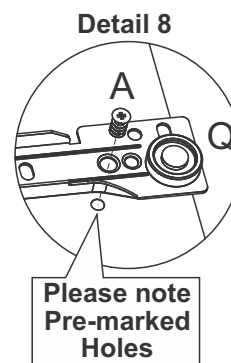
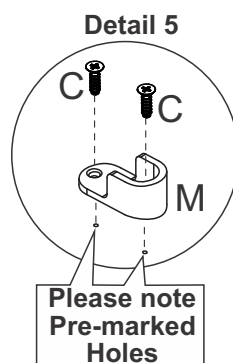
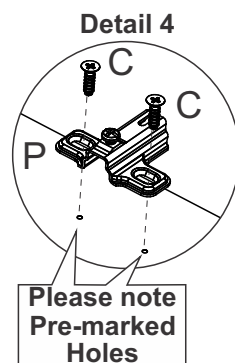
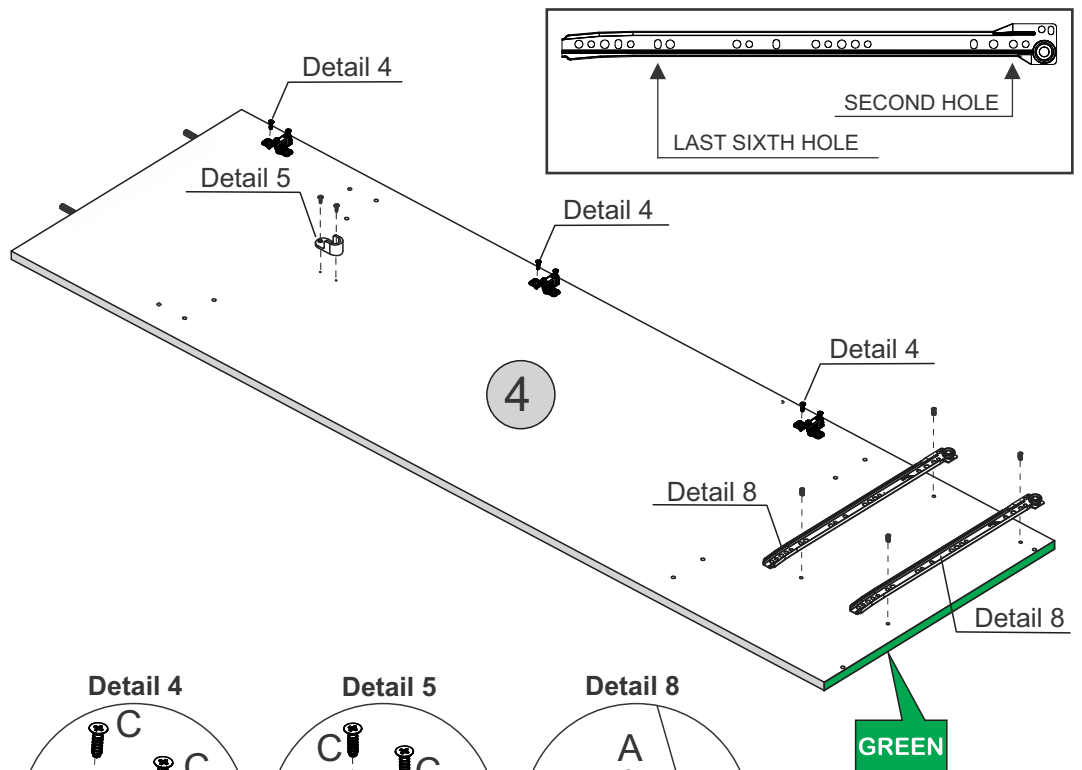
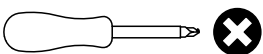
C  08
Ø4,0 x 14mm

M  01

P  03

Q  02
Right

TOOLS REQUIRED




STEP 7

PARTS REQUIRED

3 - RIGHT SIDE PANEL - BLUE x1

HARDWARE REQUIRED

C  08
Ø4,0 x 14mm

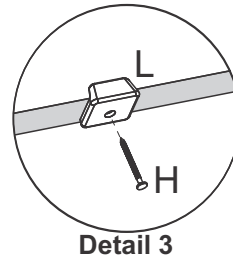
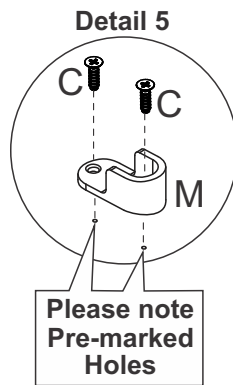
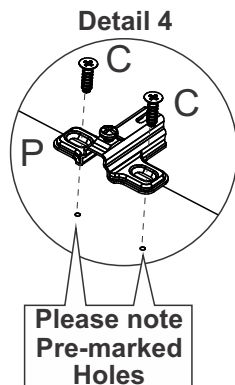
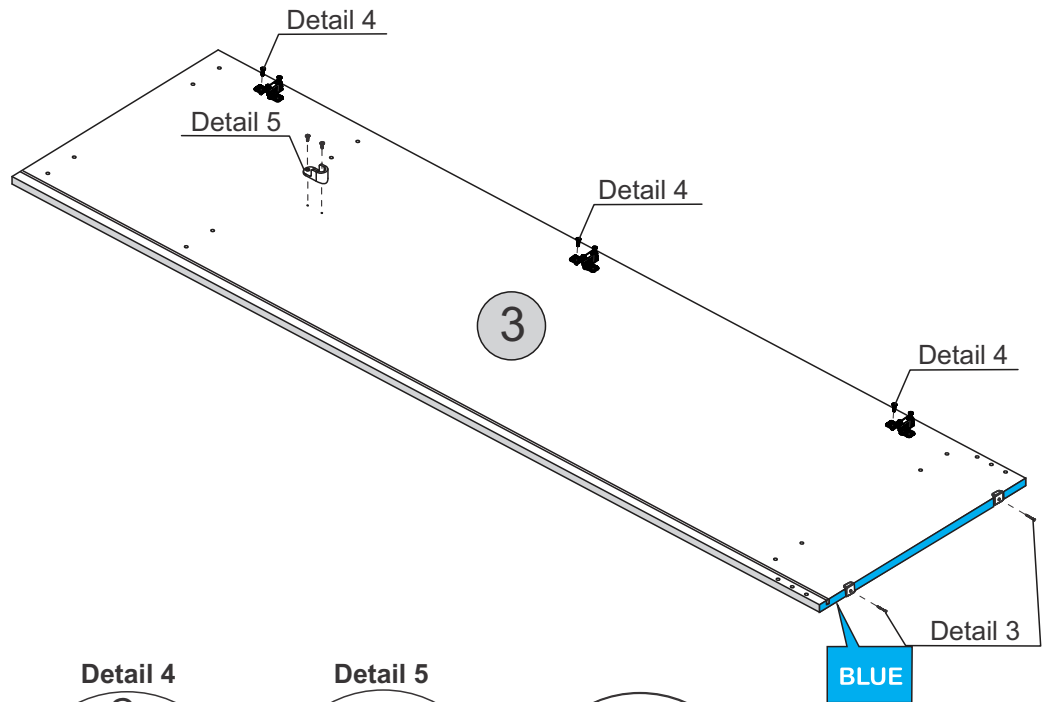
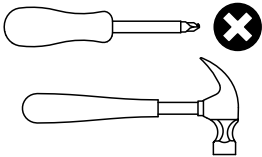
H  02

L  02

M  01

P  03

TOOLS REQUIRED



STEP 8

PARTS REQUIRED

7 - LEFT SIDE PANEL - RED x1

HARDWARE REQUIRED

C  08
Ø4,0 x 14mm

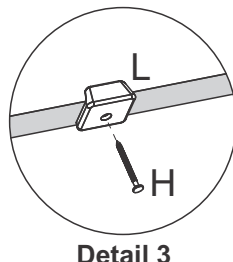
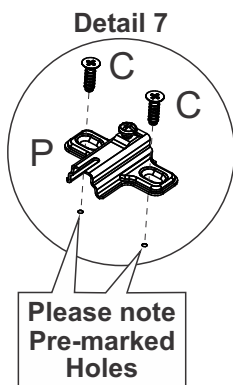
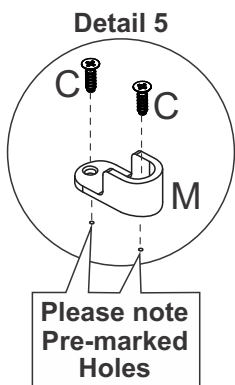
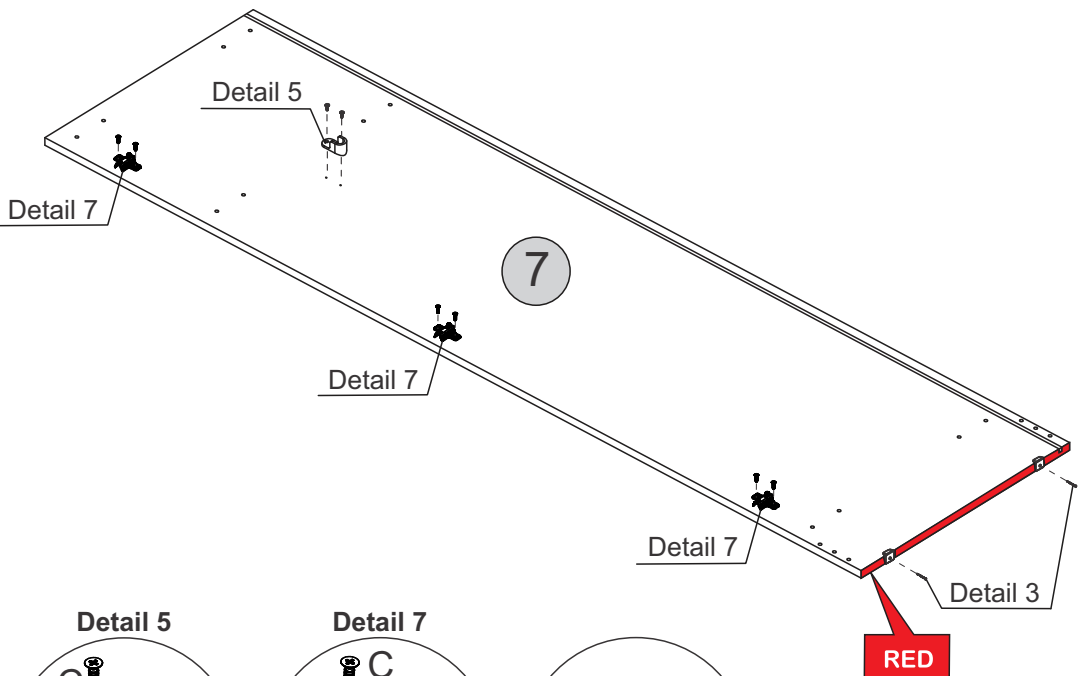
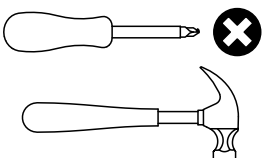
H  02

L  02

M  01

P  03

TOOLS REQUIRED

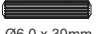


STEP 9

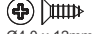
PARTS REQUIRED


9 - TOP PANEL - GREEN x1

HARDWARE REQUIRED

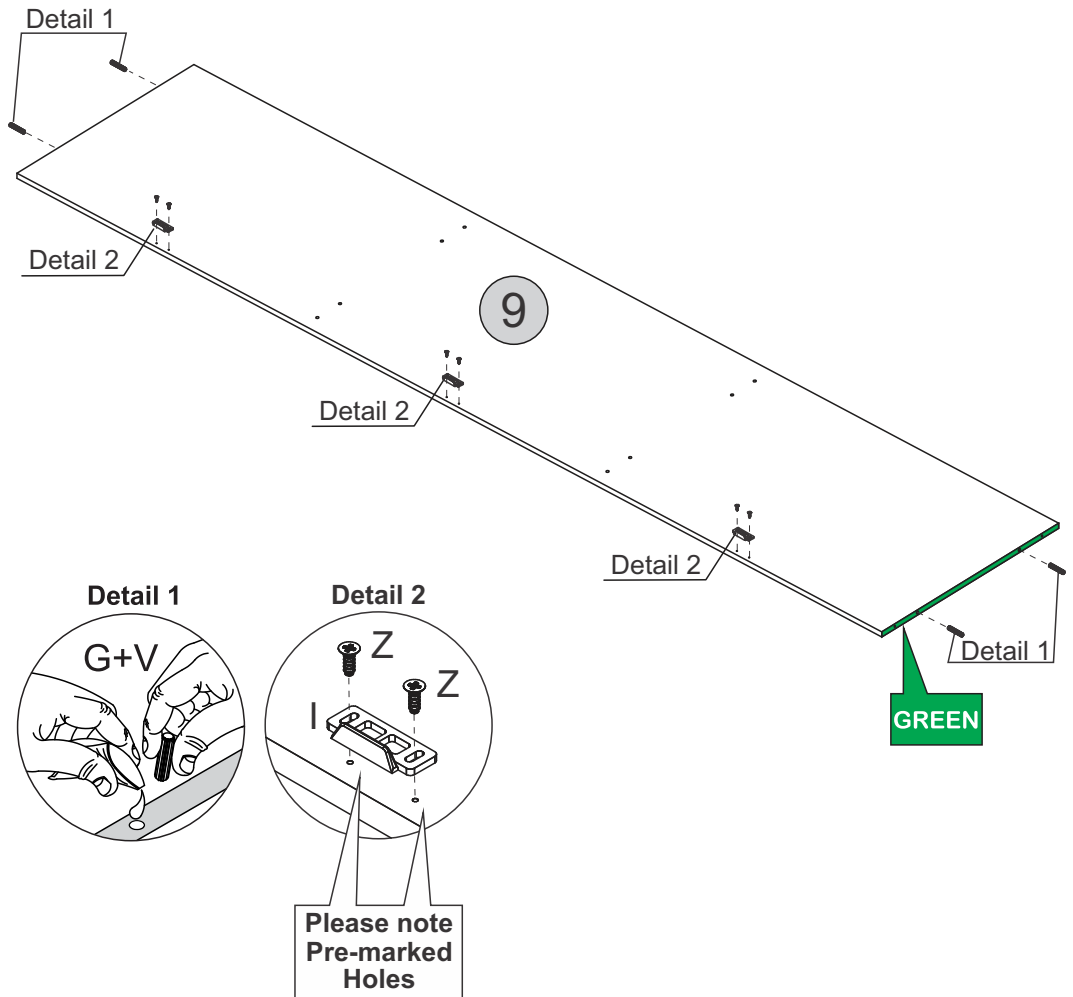
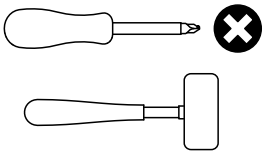
G  04
Ø6,0 x 30mm

V  01
Glue

Z  06
Ø4,0 x 12mm

I  03

TOOLS REQUIRED



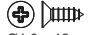
STEP 10

PARTS REQUIRED

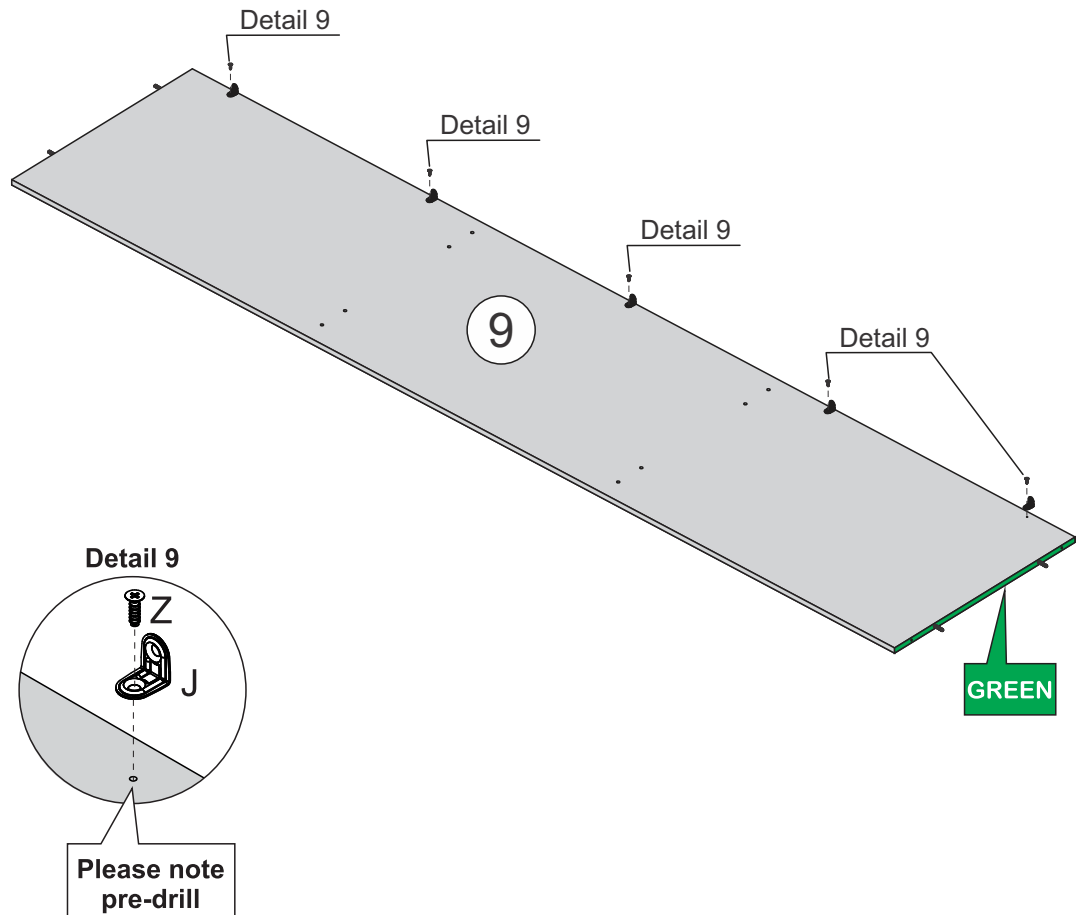
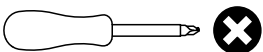
9 - TOP PANEL - GREEN x1

HARDWARE REQUIRED

J  05

Z  05
Ø4,0 x 12mm

TOOLS REQUIRED




STEP 11


PARTS REQUIRED

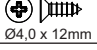
21 - CENTRAL BASEBOARD - RED x2

HARDWARE REQUIRED

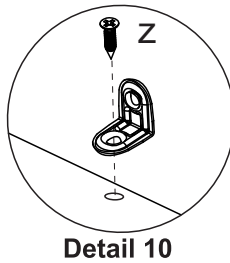
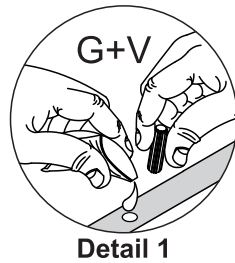
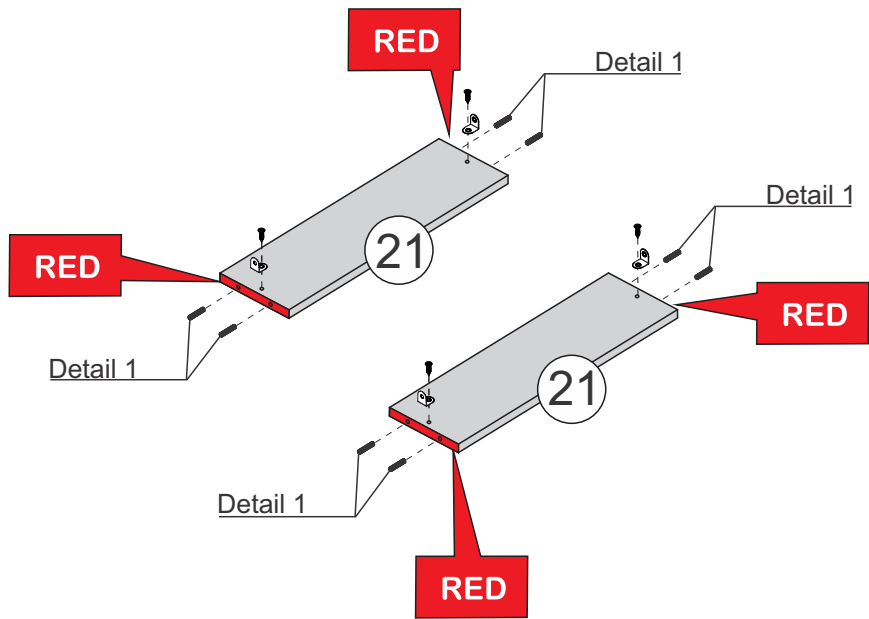
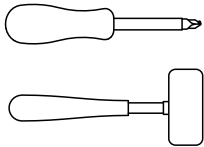
G  08
Ø6,0 x 30mm

J  04

V  01
Glue

Z  04
Ø4,0 x 12mm

TOOLS REQUIRED



Please note
Pre-marked
Hole

STEP 12

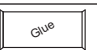
PARTS REQUIRED


6 - BACK BASEBOARD - BLACK x1

8 - FRONT BASEBOARD - GREEN x1

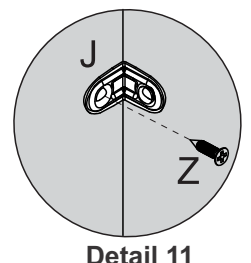
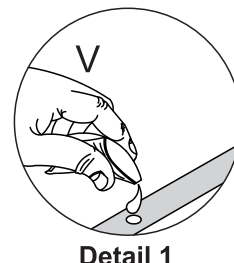
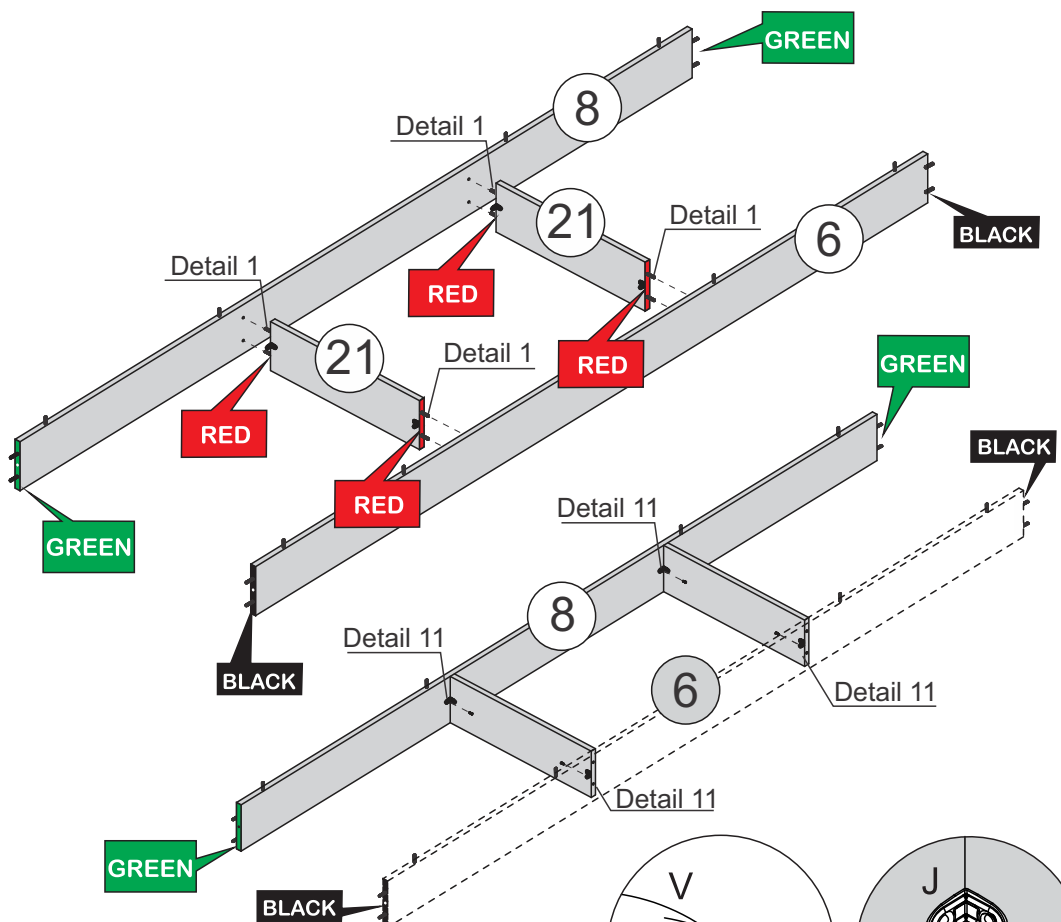
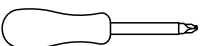
21 - CENTRAL BASEBOARD - RED x2

HARDWARE REQUIRED

V  01
Glue

Z  04
Ø4,0 x 12mm

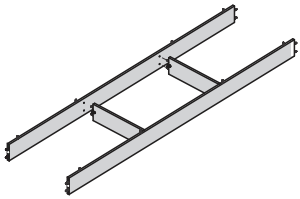
TOOLS REQUIRED



STEP 13

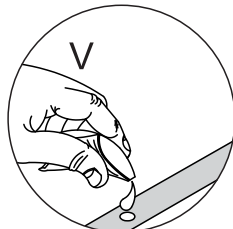
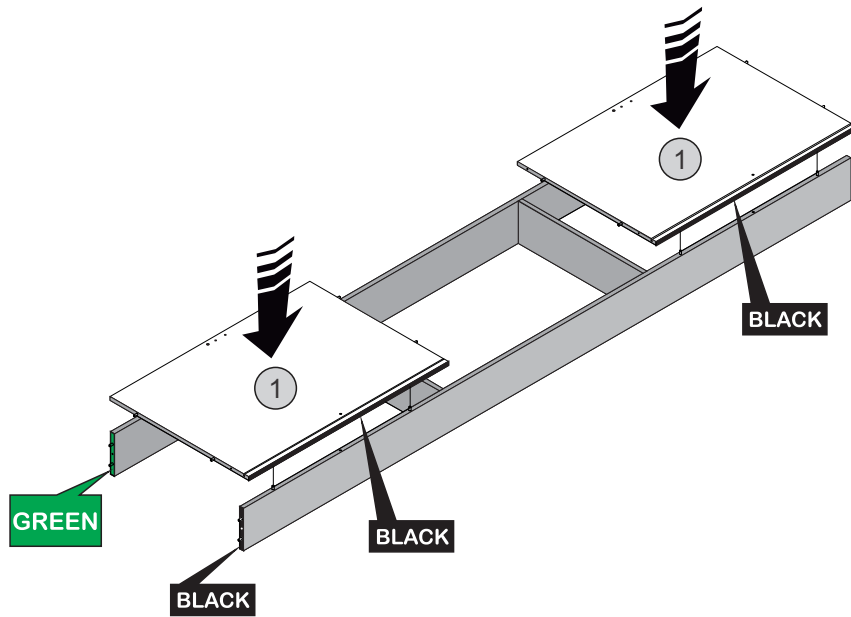
PARTS REQUIRED

1 - BASE PANEL - BLACK x2



HARDWARE REQUIRED

TOOLS REQUIRED

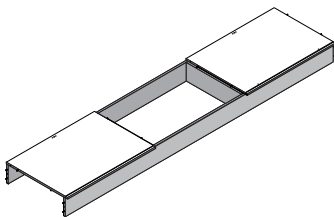


Detail 1


STEP 14


PARTS REQUIRED

7 - LEFT SIDE PANEL - RED x1

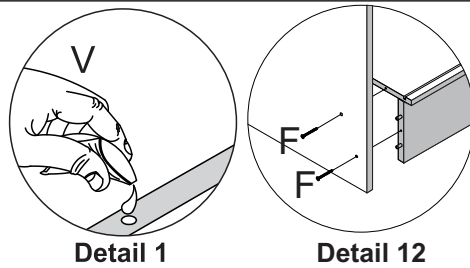


HARDWARE REQUIRED

F  Ø4,0 x 50mm 04

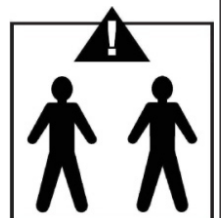
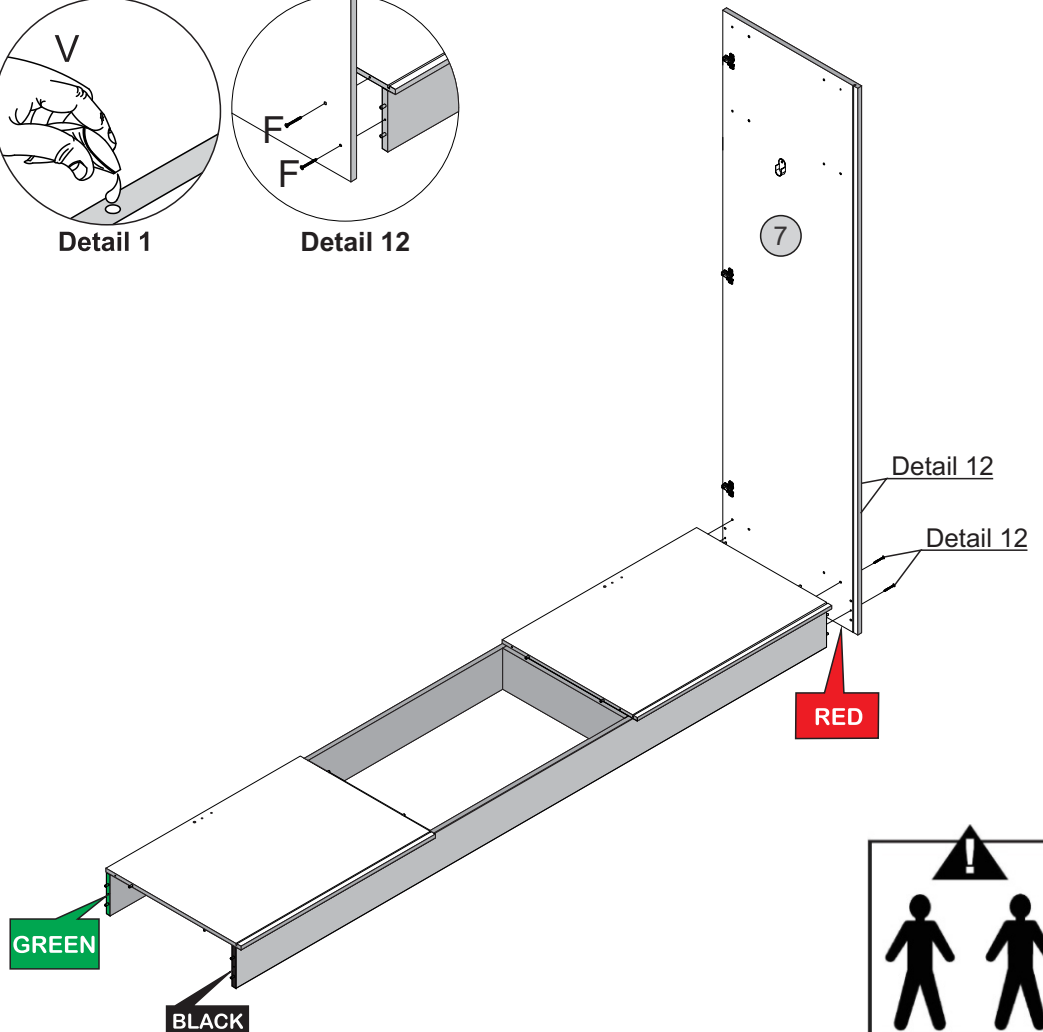
V  Glue 01

TOOLS REQUIRED



Detail 1

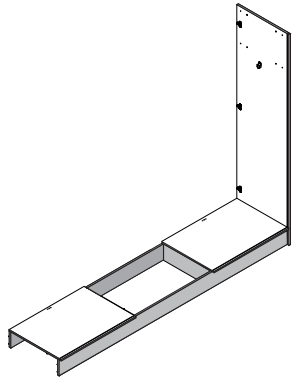
Detail 12




STEP 15


PARTS REQUIRED

5 - LEFT DIVISION PANEL - YELLOW x1

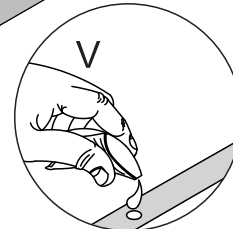
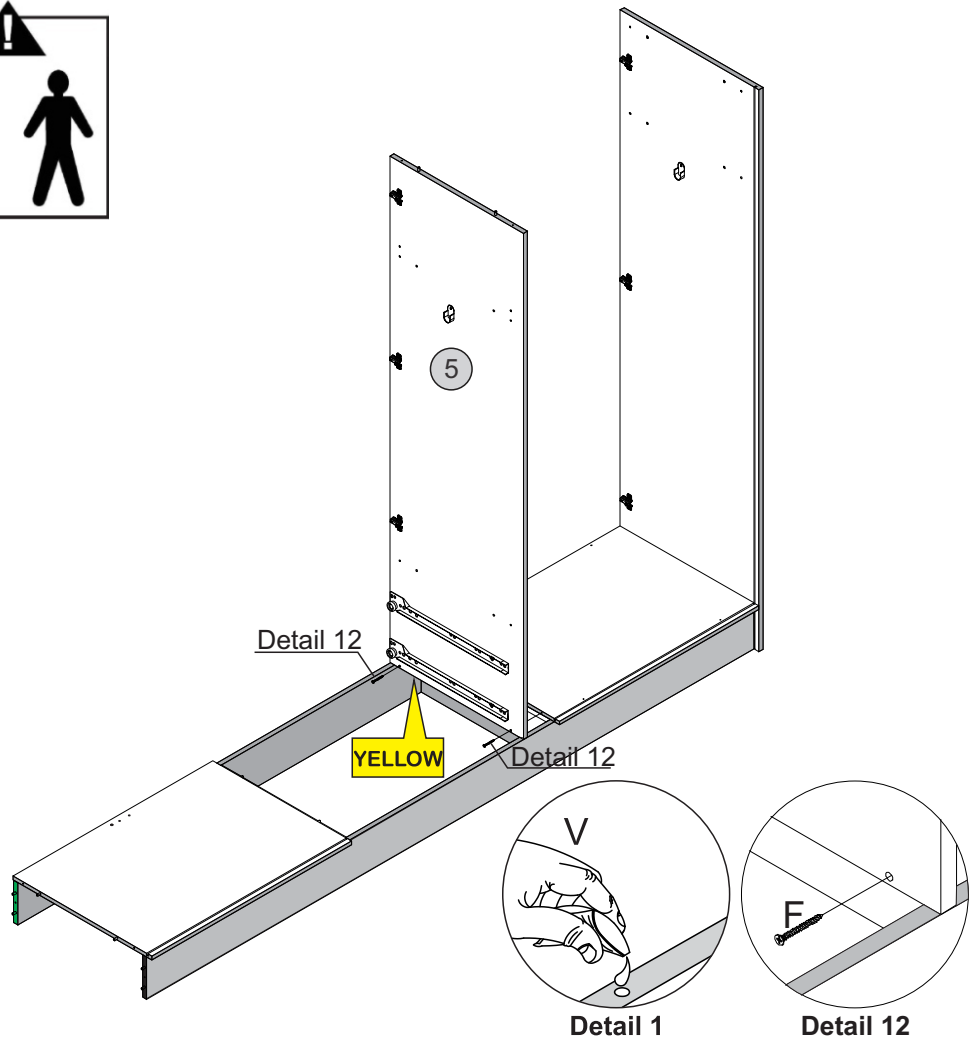
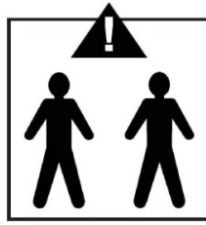
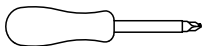


HARDWARE REQUIRED

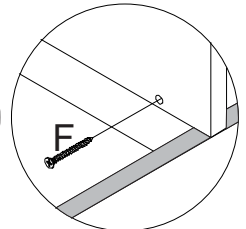
F  Ø4,0 x 50mm 02

V  Glue 01

TOOLS REQUIRED



Detail 1

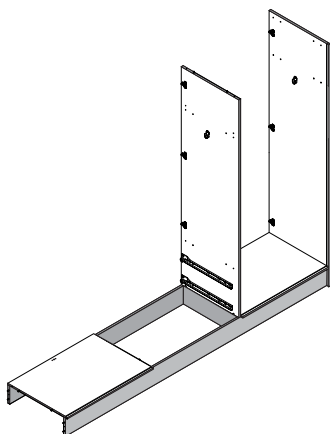


Detail 12


STEP 16


PARTS REQUIRED

10 - UPPER PANEL - BLUE x1

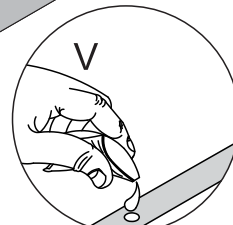
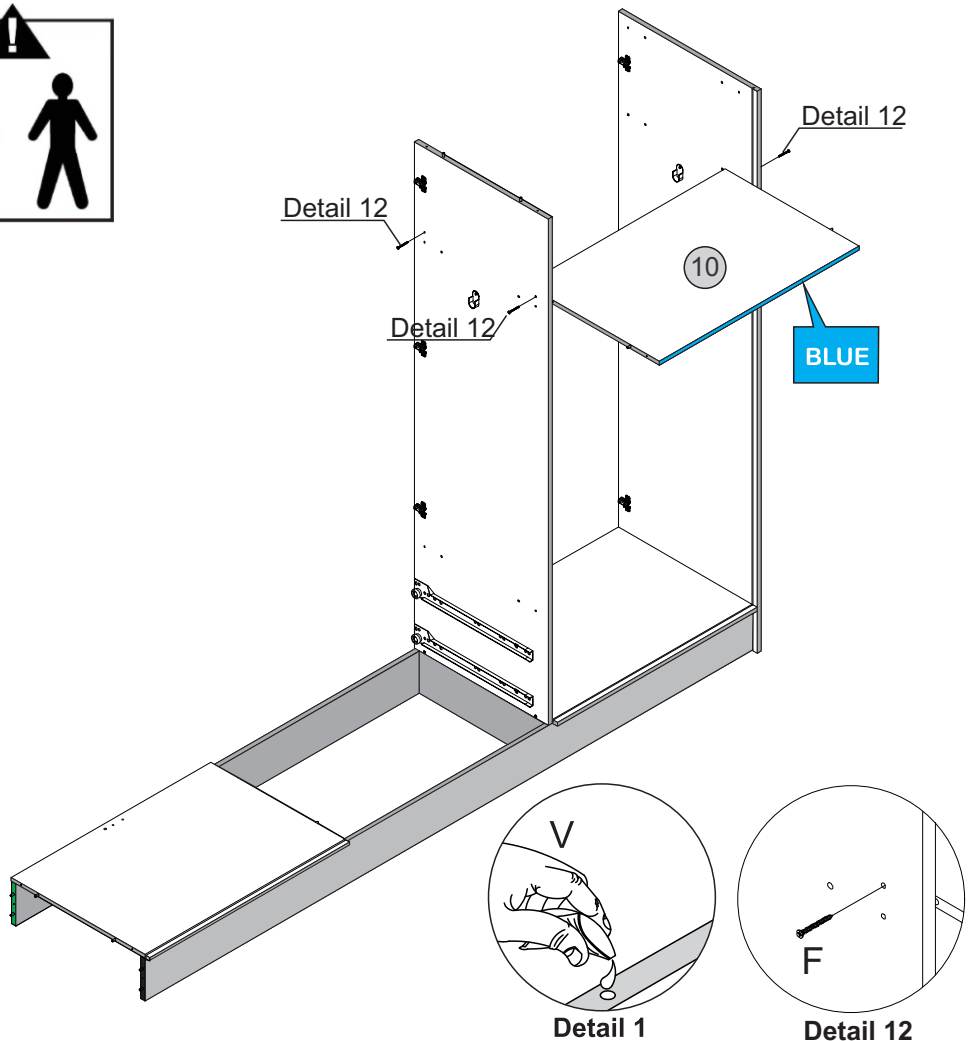
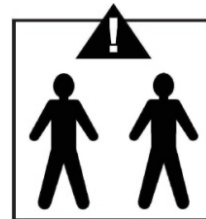
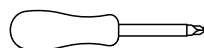


HARDWARE REQUIRED

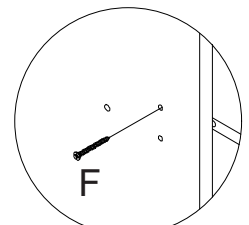
F  Ø4,0 x 50mm 04

V  Glue 01

TOOLS REQUIRED



Detail 1

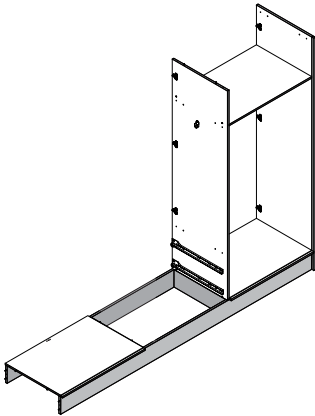


Detail 12


STEP 17


PARTS REQUIRED

4 - RIGHT DIVISION PANEL - GREEN x1

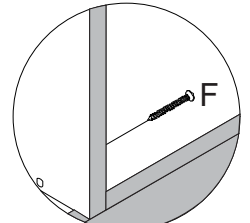
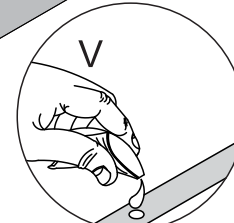
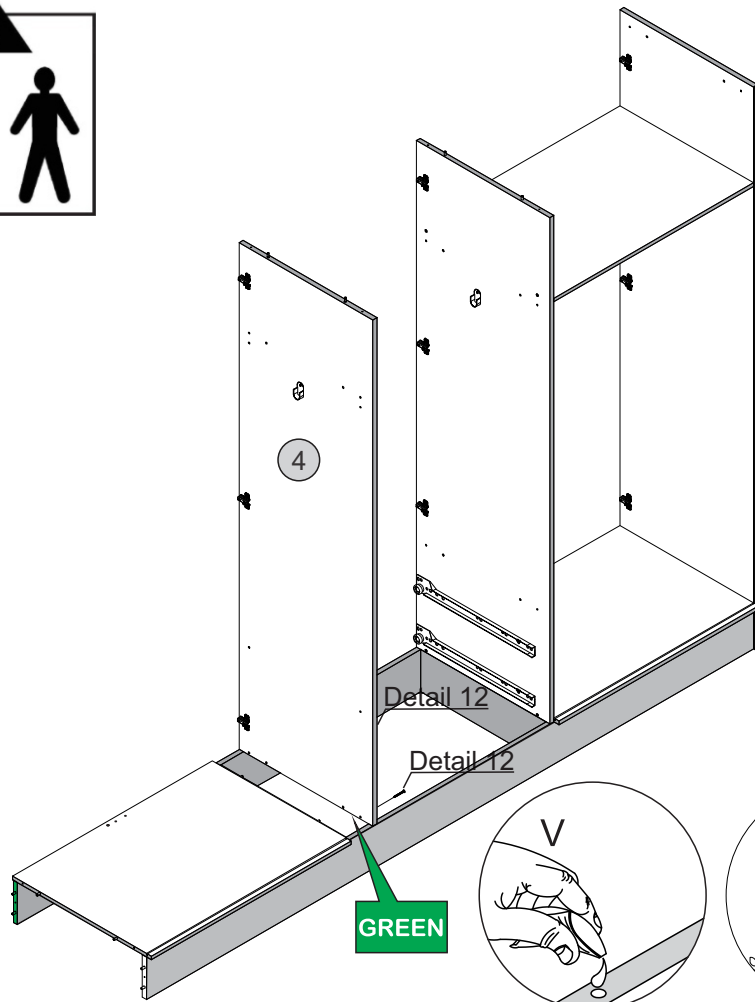
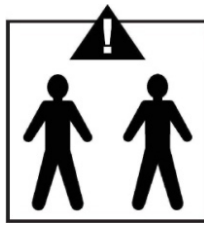
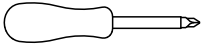


HARDWARE REQUIRED

F  02
Ø4.0 x 50mm

V  01

TOOLS REQUIRED



Detail 1

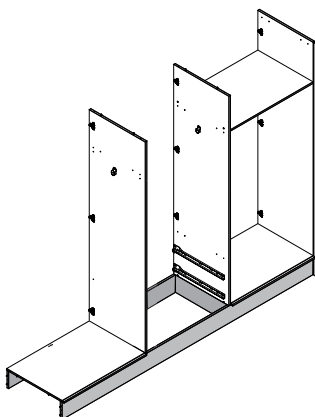
Detail 12

STEP 18


PARTS REQUIRED


10 - UPPER PANEL - BLUE x1

23 - SHELF OVER DRAWER - RED x1

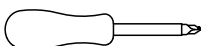


HARDWARE REQUIRED

F  08
Ø4.0 x 50mm

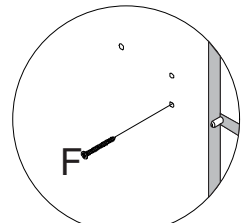
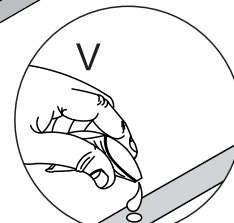
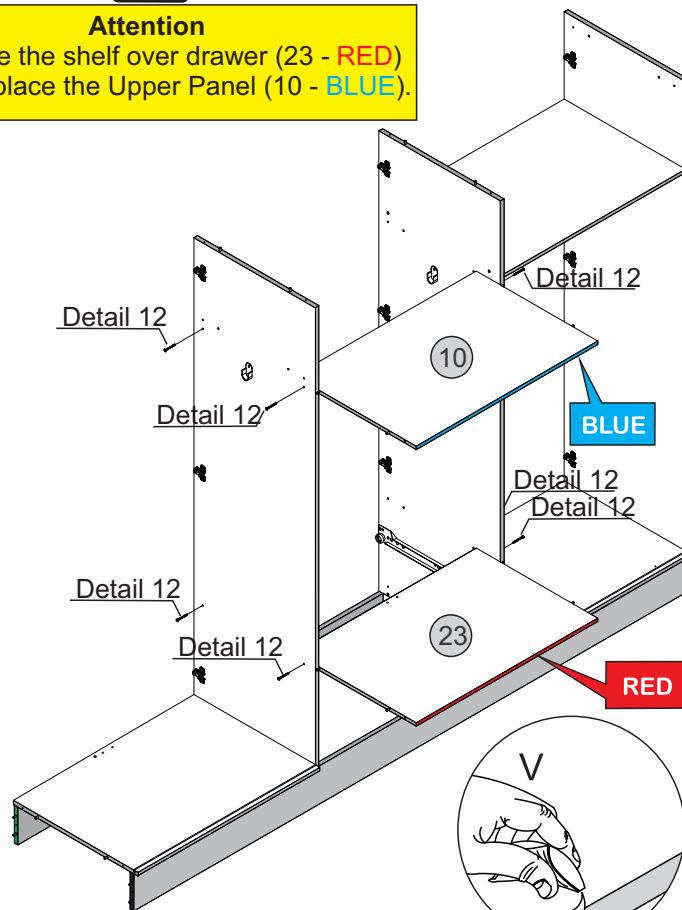
V  01

TOOLS REQUIRED



Attention

First place the shelf over drawer (23 - RED) and then place the Upper Panel (10 - BLUE).



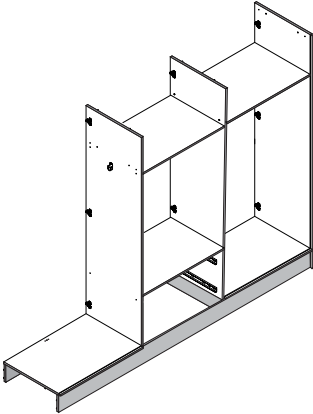
Detail 1

Detail 12


STEP 19

PARTS REQUIRED

3 - RIGHT SIDE PANEL - BLUE x1

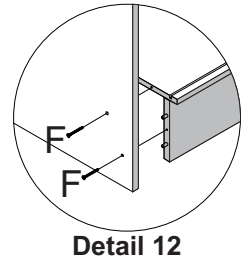
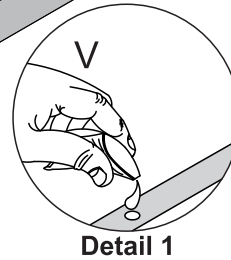
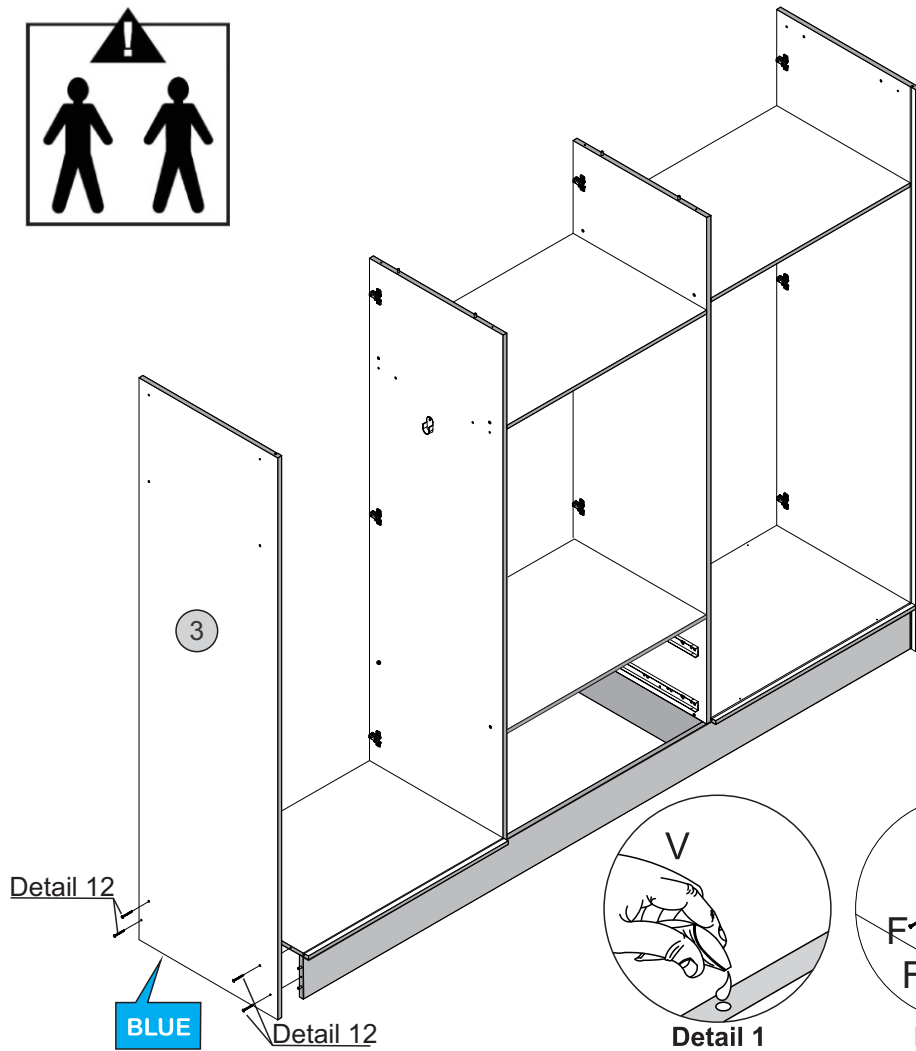
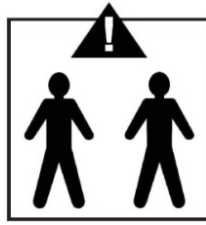
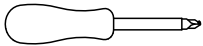


HARDWARE REQUIRED

F  04
Ø4,0 x 50mm

V  01

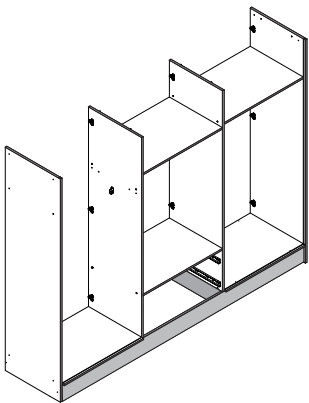
TOOLS REQUIRED




STEP 20

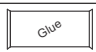
PARTS REQUIRED

10 - UPPER PANEL - BLUE x1

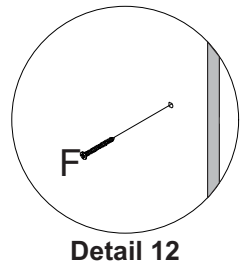
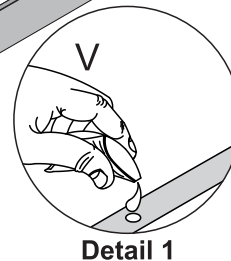
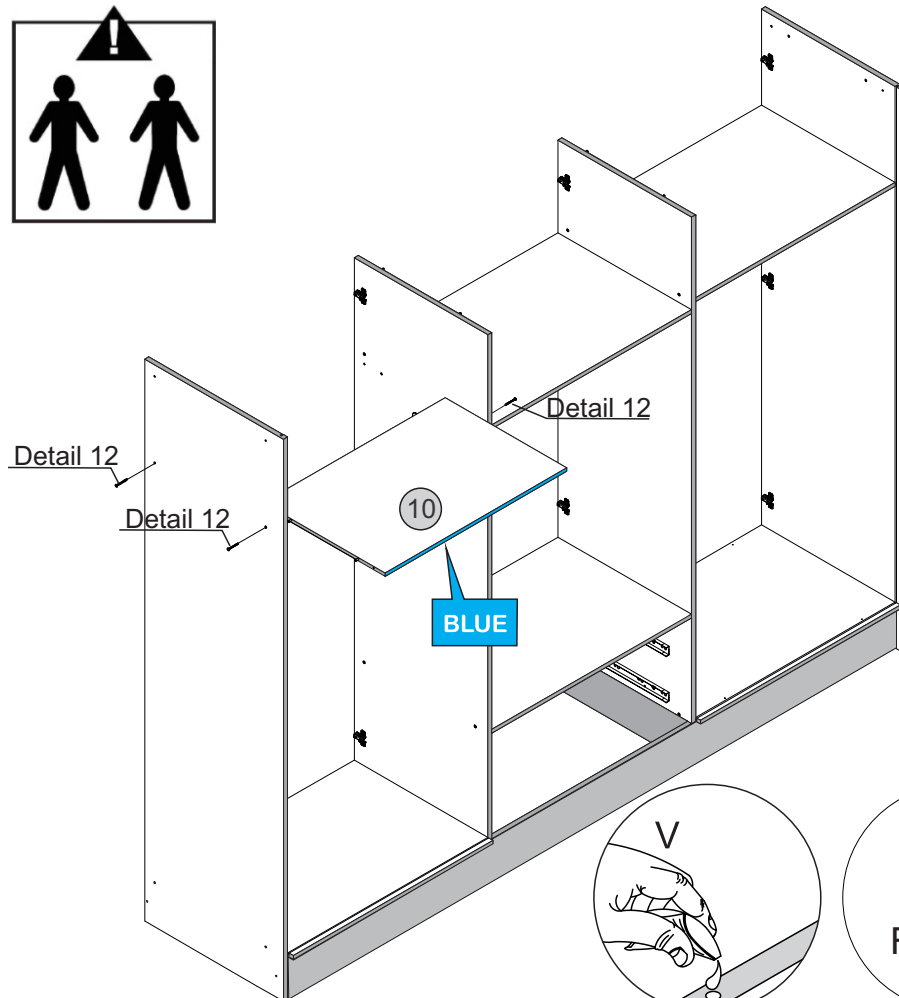
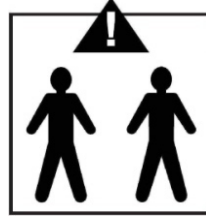
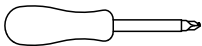


HARDWARE REQUIRED

F  04
Ø4,0 x 50mm

V  01

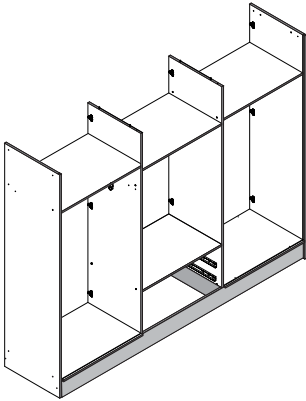
TOOLS REQUIRED



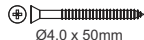
STEP 21

PARTS REQUIRED

9 - TOP PANEL - GREEN x1

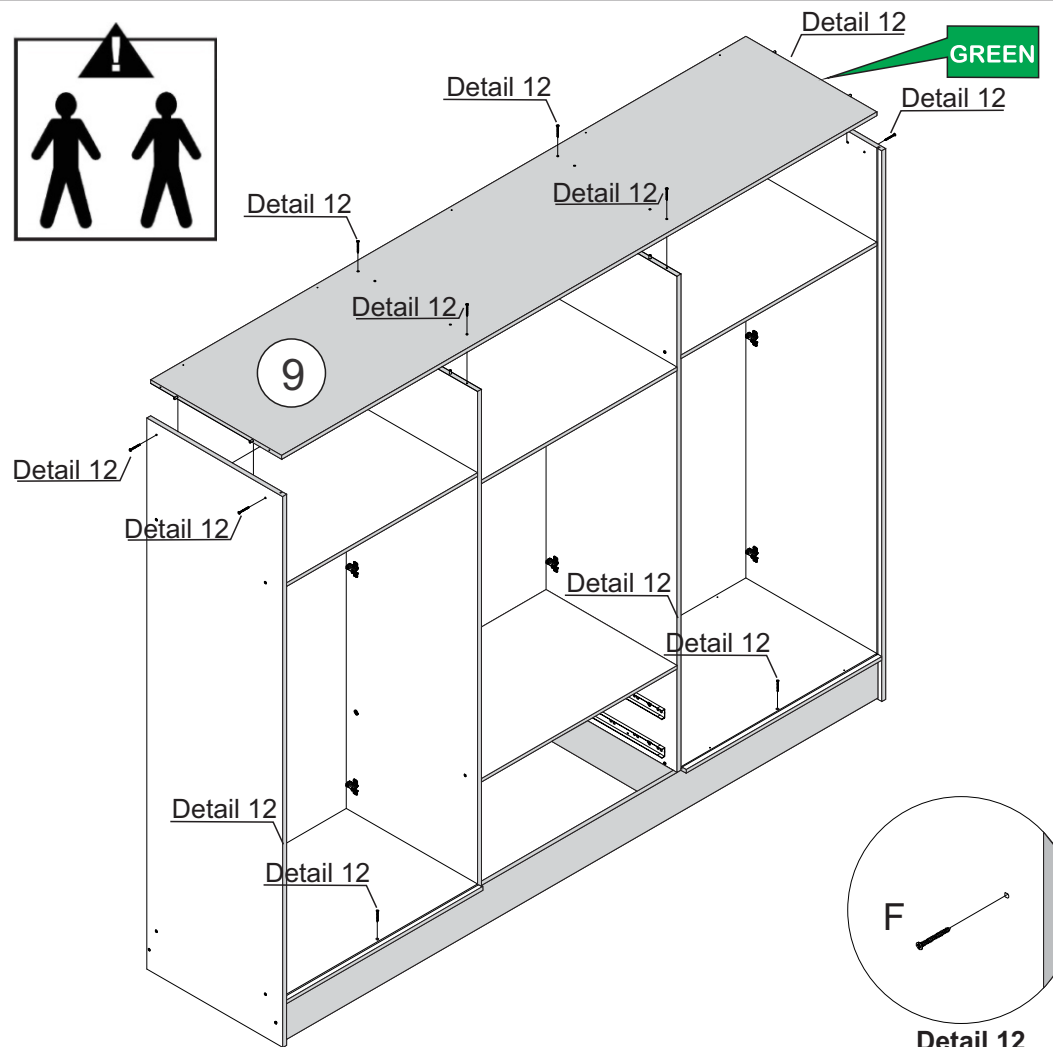
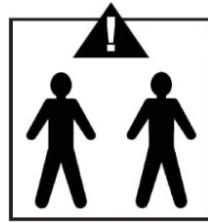
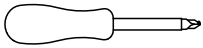


HARDWARE REQUIRED

F  12
Ø4,0 x 50mm

V  01

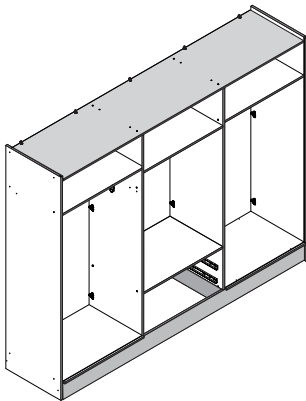
TOOLS REQUIRED



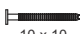
STEP 22

PARTS REQUIRED

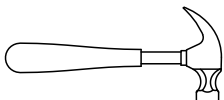
20 - BACK PANEL x2



HARDWARE REQUIRED

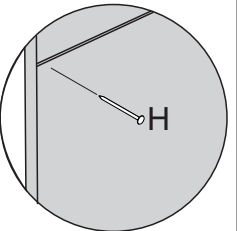
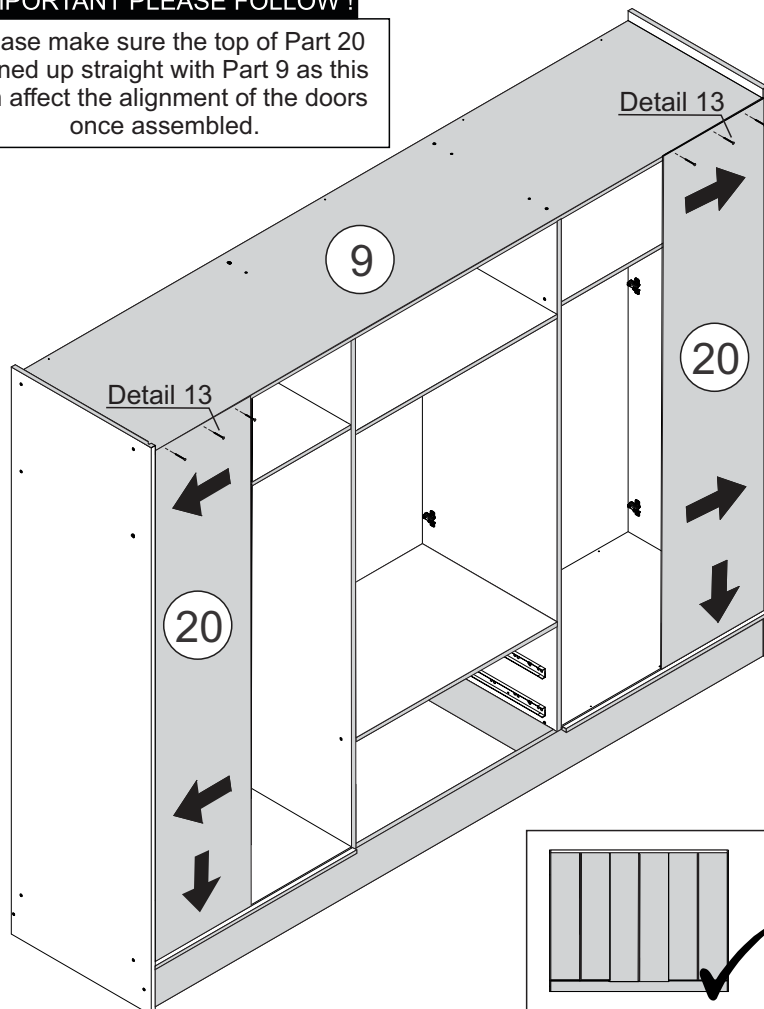
H  06
10 x 10

TOOLS REQUIRED

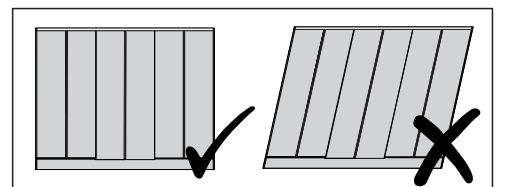
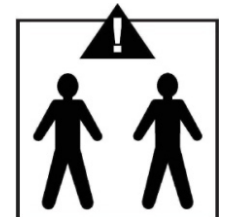


IMPORTANT PLEASE FOLLOW !

Please make sure the top of Part 20 is lined up straight with Part 9 as this can affect the alignment of the doors once assembled.



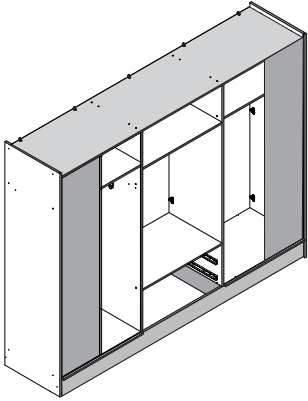
Detail 13





STEP 23

PARTS REQUIRED

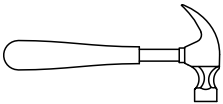
20 - BACK PANEL x2



HARDWARE REQUIRED

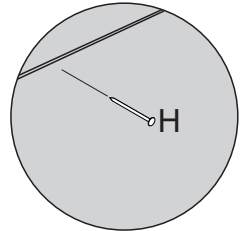
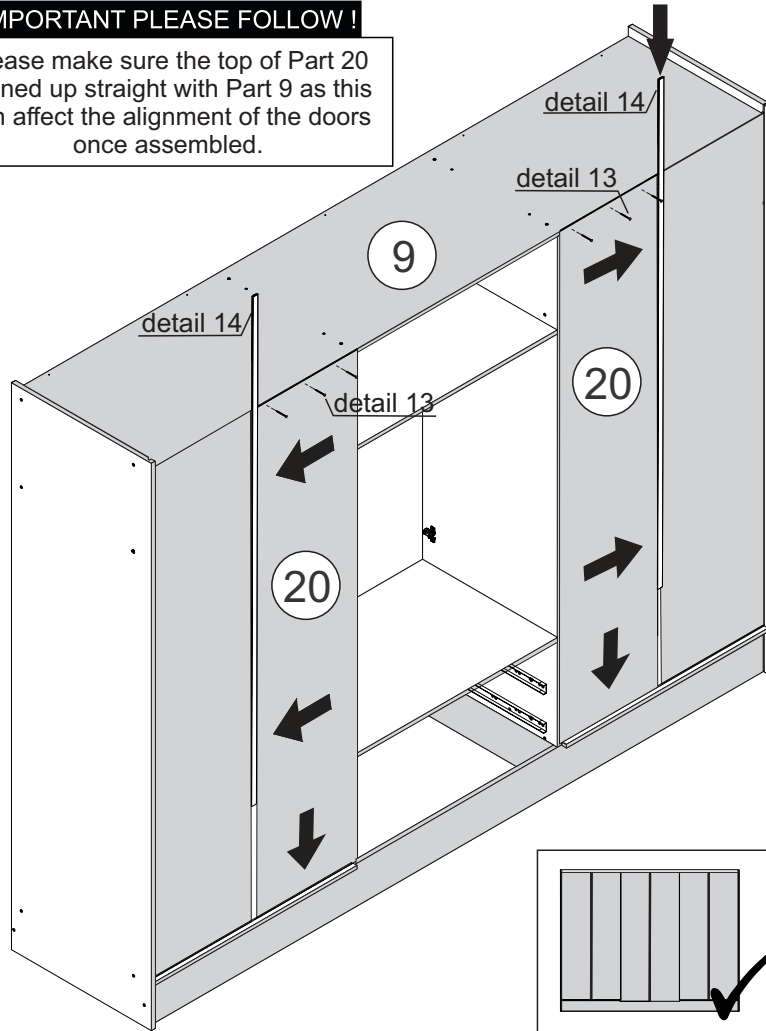
- H  06
- R  02

TOOLS REQUIRED

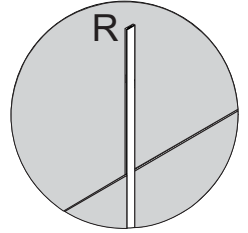


IMPORTANT PLEASE FOLLOW !

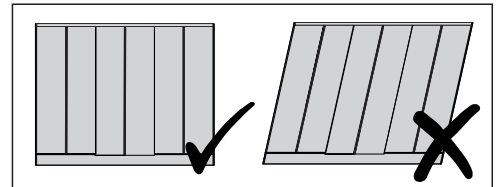
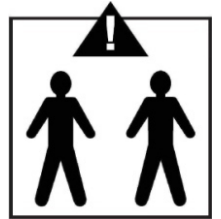
Please make sure the top of Part 20 is lined up straight with Part 9 as this can affect the alignment of the doors once assembled.



Detail 13



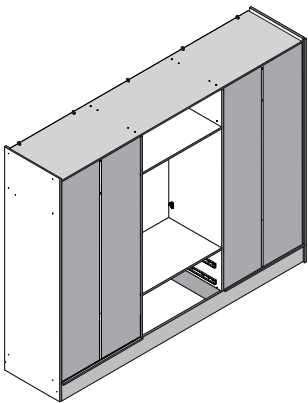
Detail 14





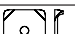
STEP 24

PARTS REQUIRED

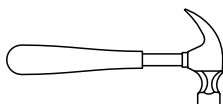
22 - CENTRE BACK PANEL x2



HARDWARE REQUIRED

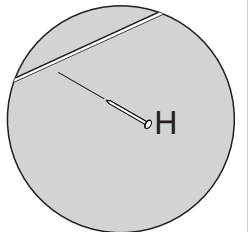
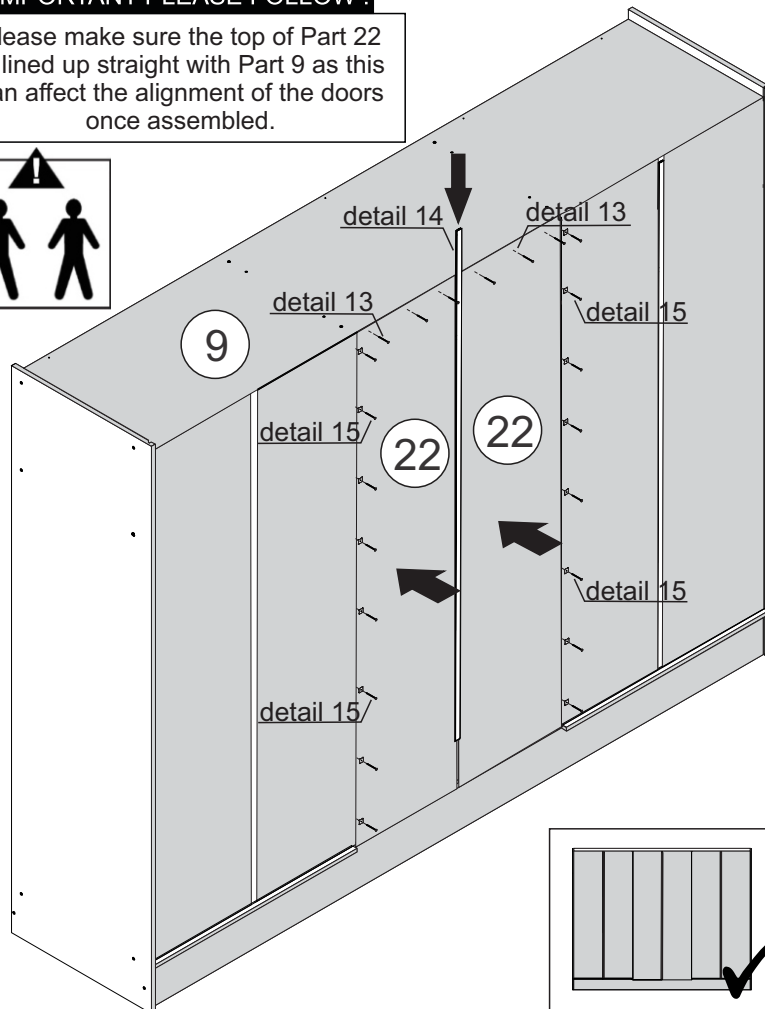
- H  22
- R  01
- A1  16

TOOLS REQUIRED

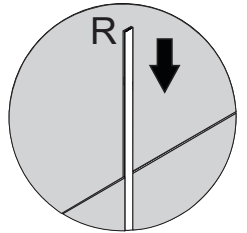


IMPORTANT PLEASE FOLLOW !

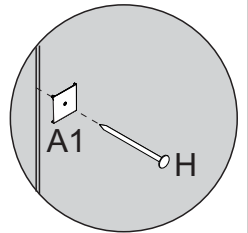
Please make sure the top of Part 22 is lined up straight with Part 9 as this can affect the alignment of the doors once assembled.



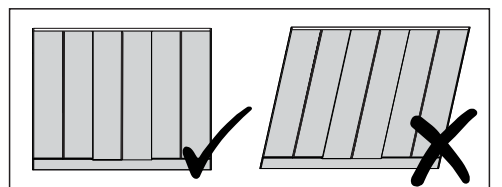
Detail 13



Detail 14

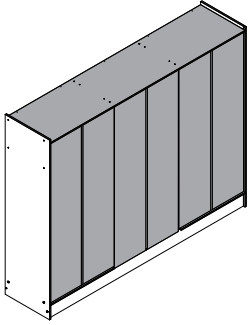


Detail 15



STEP 25

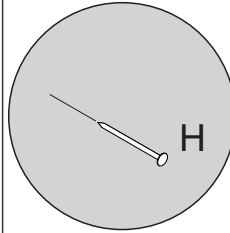
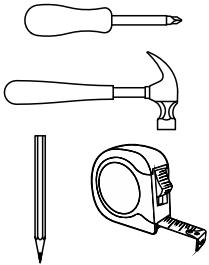
PARTS REQUIRED



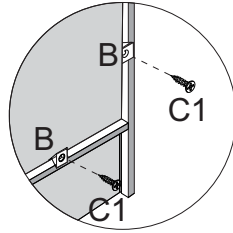
HARDWARE REQUIRED

B		12
C1	Ø3.5 x 16mm	12
H	10 x 10	06

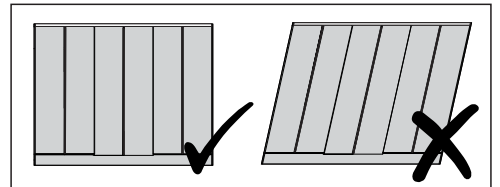
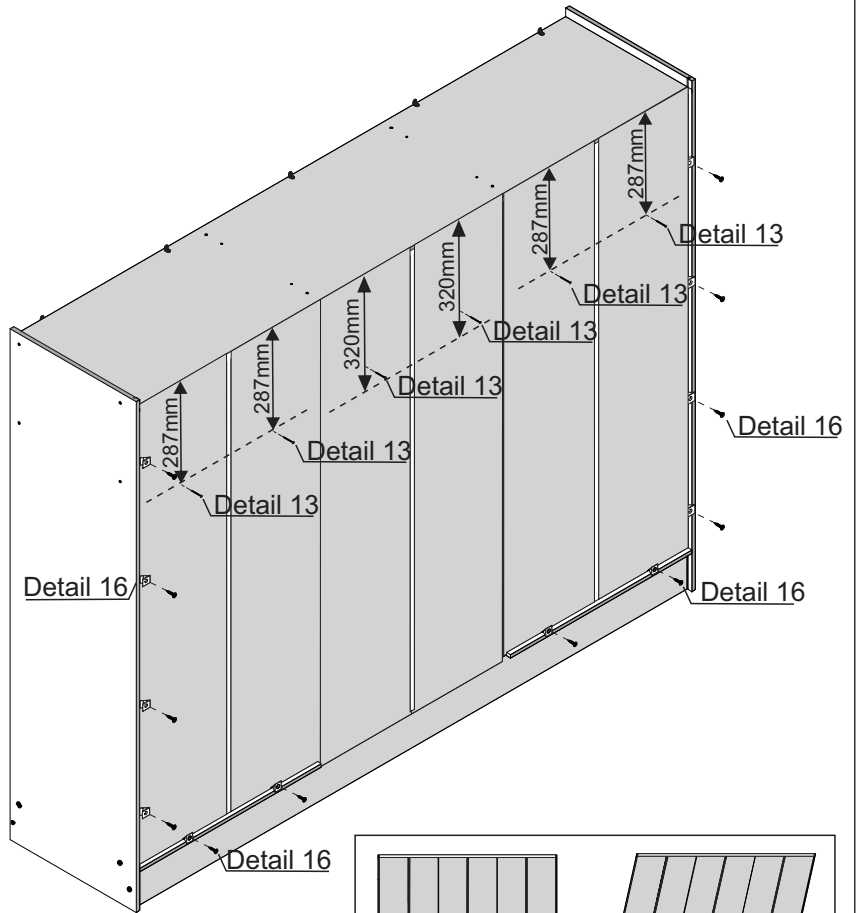
TOOLS REQUIRED



Detail 13



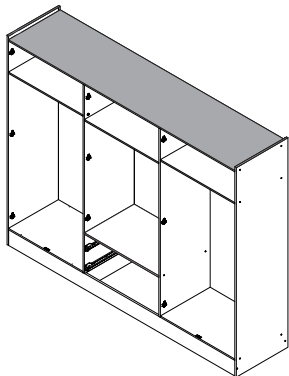
Detail 16



STEP 26

PARTS REQUIRED

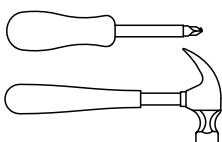
2 - FRAME	x1
-----------	----



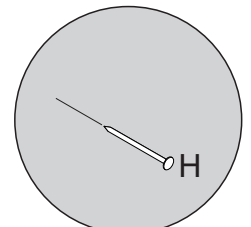
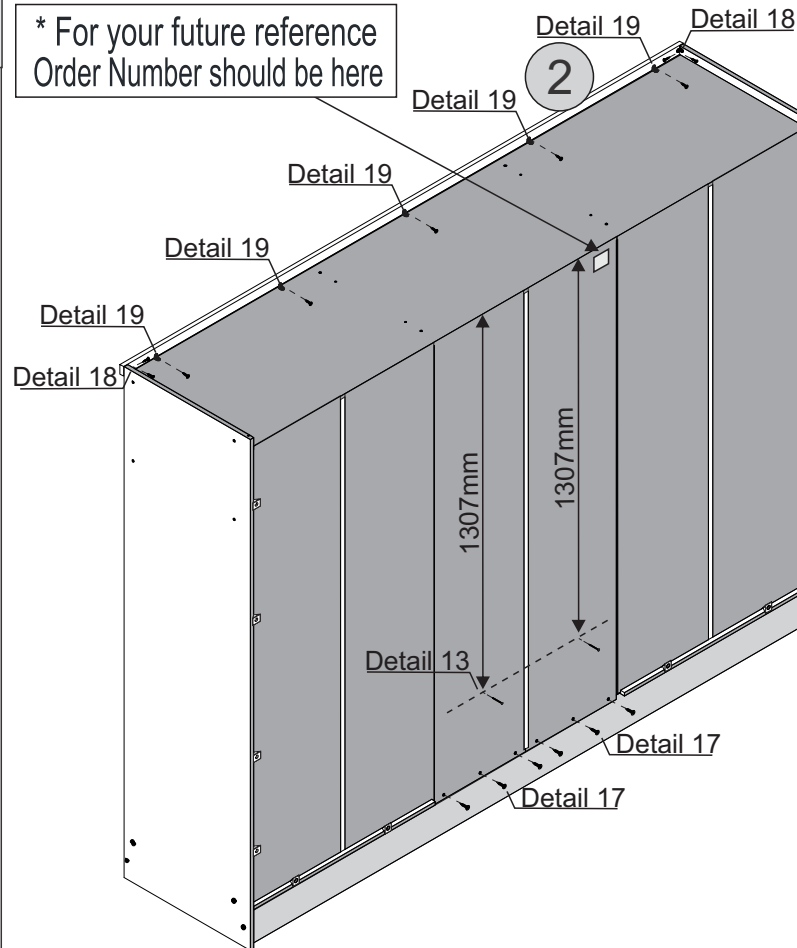
HARDWARE REQUIRED

H	10 x 10	02
J		02
Z	Ø4.0 x 12mm	09
B1	Ø3.5 x 14mm	06

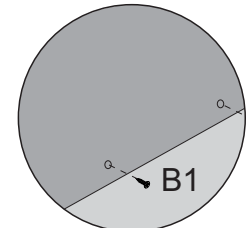
TOOLS REQUIRED



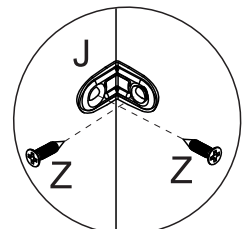
* For your future reference Order Number should be here



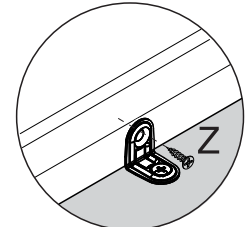
Detail 13



Detail 17



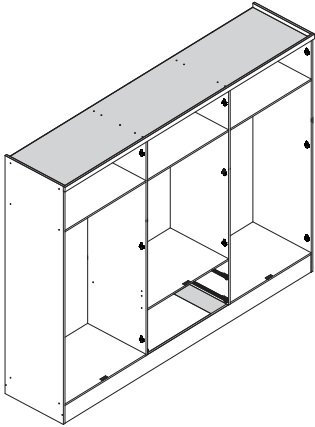
Detail 18



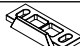


Detail 19

STEP 27

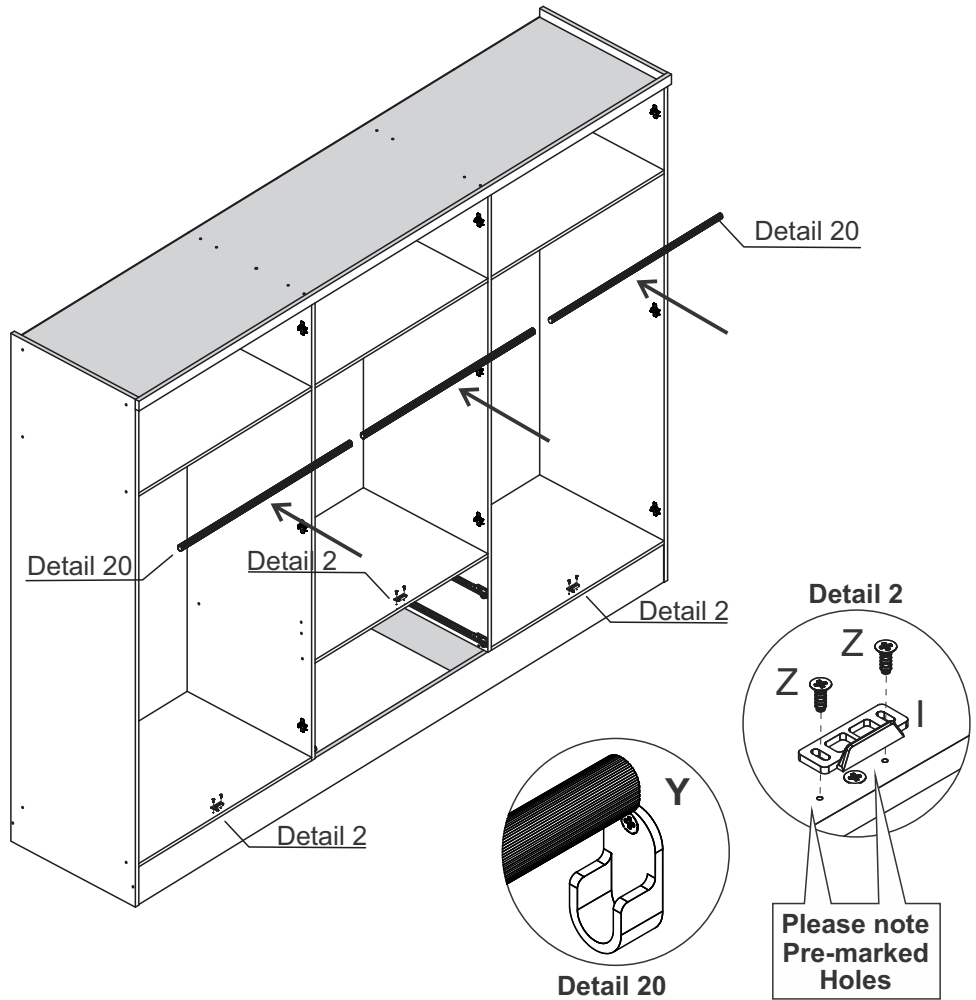
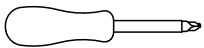
PARTS REQUIRED



HARDWARE REQUIRED

I		03
Y		03
Z	 Ø4,0 x 12mm	06

TOOLS REQUIRED

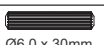



STEP 28

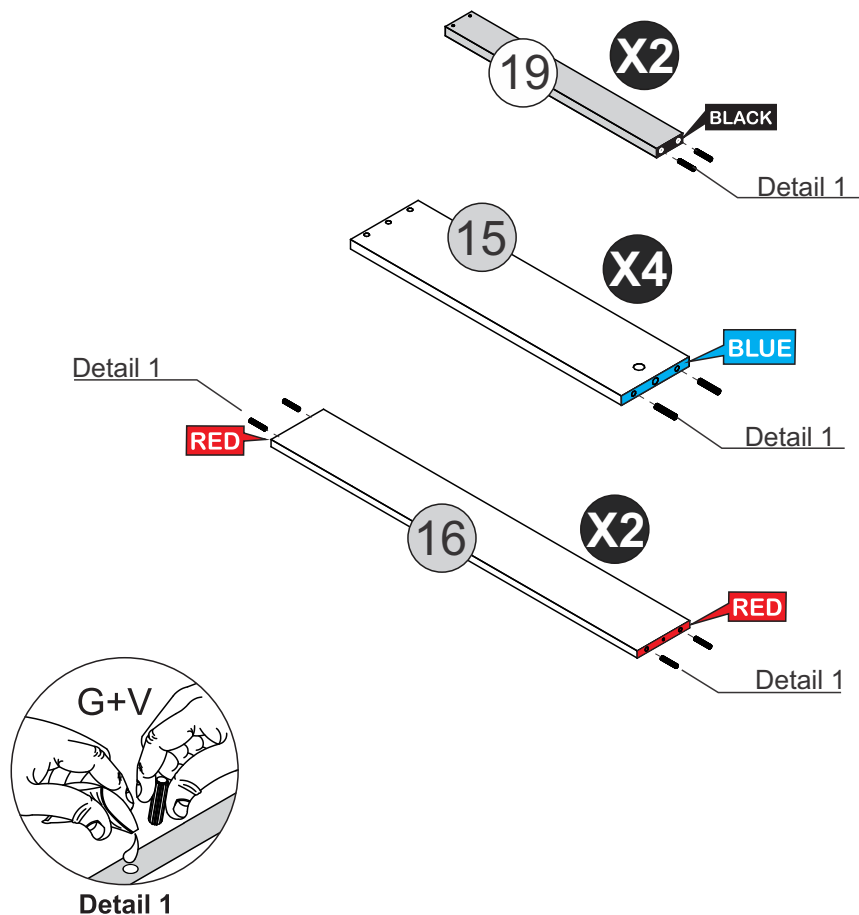
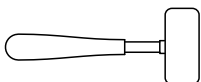
PARTS REQUIRED

15 - DRAWER SIDE - BLUE	x4
16 - DRAWER BACK PANEL - RED	x2
19 - DRAWER BOTTOM SUPPORTBAR - BLACK	x2

HARDWARE REQUIRED

G	 Ø6,0 x 30mm	20
V		01

TOOLS REQUIRED

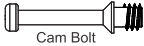


STEP 29

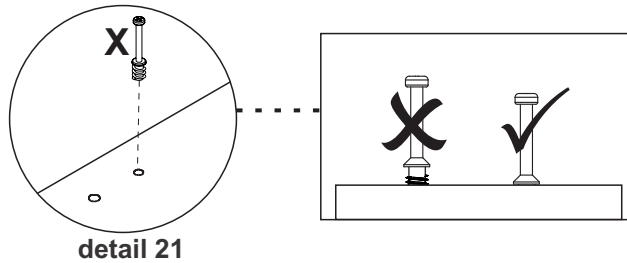
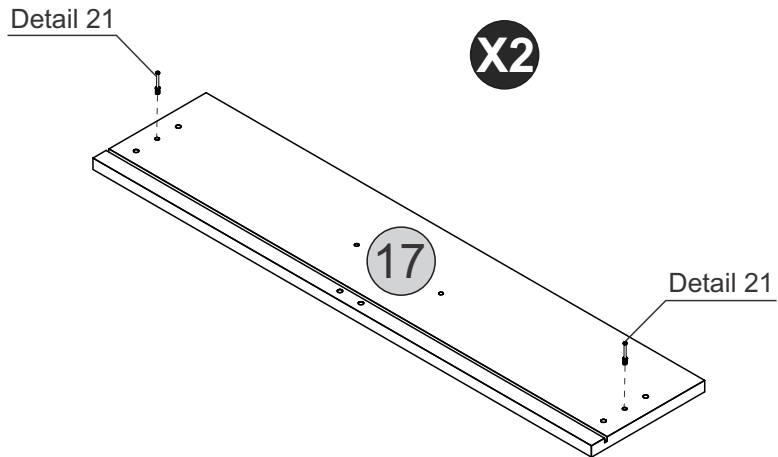
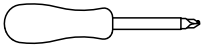
PARTS REQUIRED

17 - DRAWER FRONT x2

HARDWARE REQUIRED

X  04
Cam Bolt

TOOLS REQUIRED



STEP 30

PARTS REQUIRED

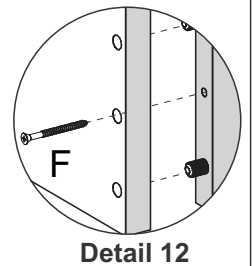
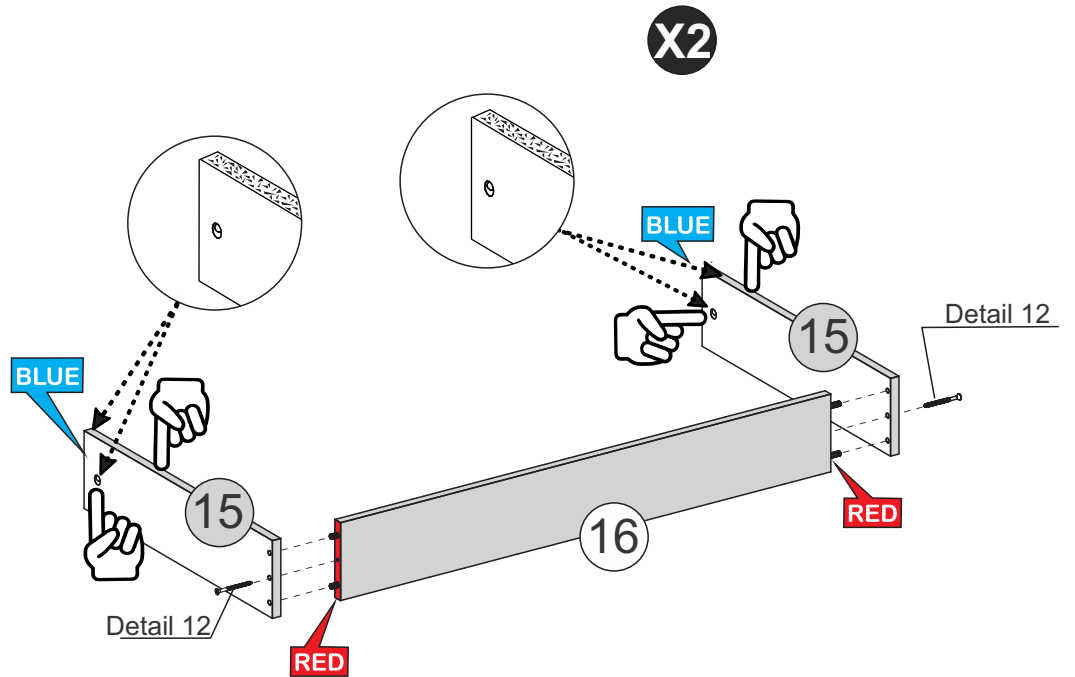
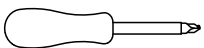
15 - DRAWER SIDE - BLUE x4

16 - DRAWER BACK PANEL - RED x2

HARDWARE REQUIRED

F  04
Ø4,0 x 50mm

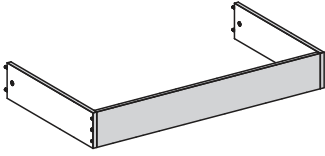
TOOLS REQUIRED



STEP 31


PARTS REQUIRED

17 - DRAWER FRONT x2



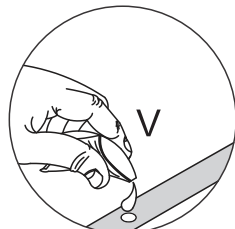
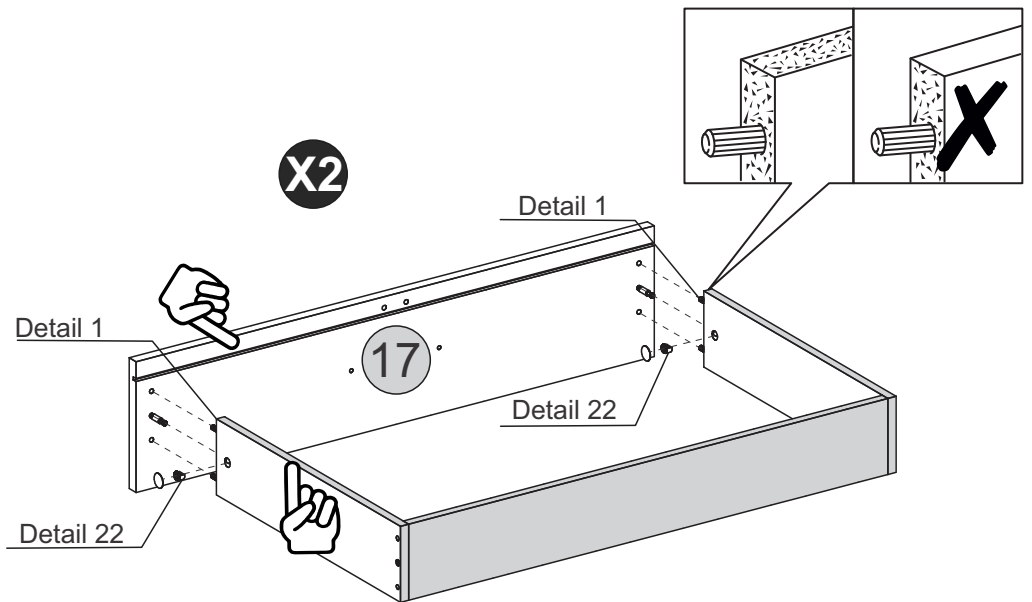
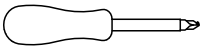
HARDWARE REQUIRED

U  08

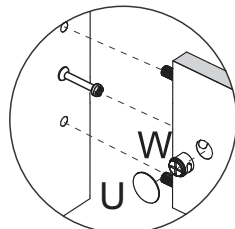
V  01

W  04

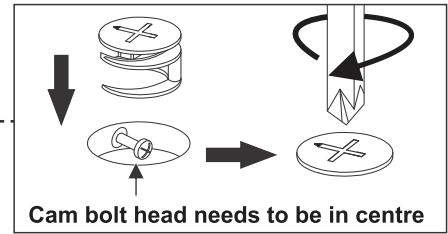
TOOLS REQUIRED



Detail 1



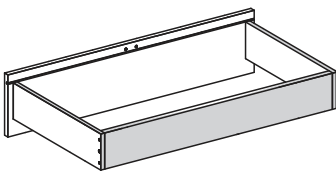
Detail 22




STEP 32

PARTS REQUIRED

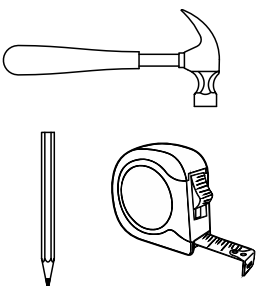
18 - DRAWER BOTTOM x2



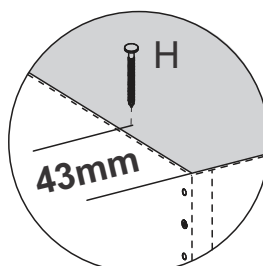
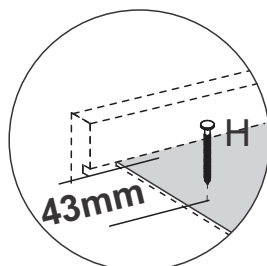
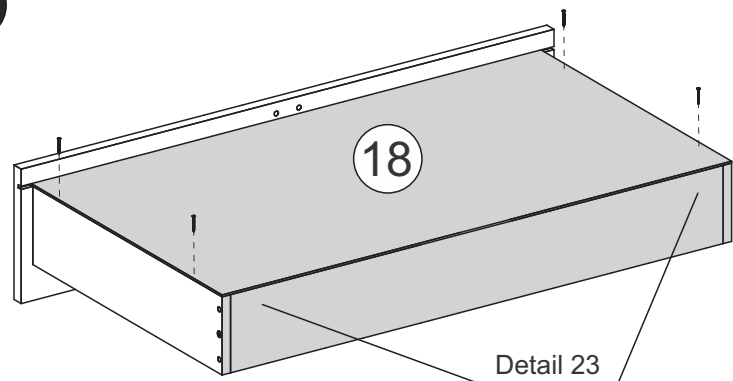
HARDWARE REQUIRED

H  08

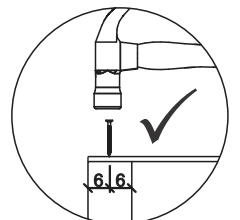
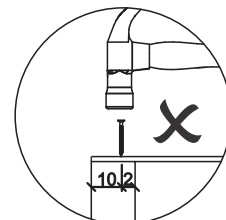
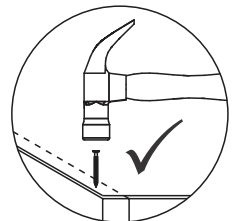
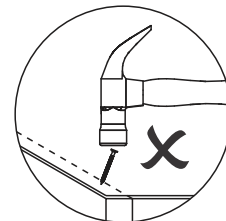
TOOLS REQUIRED



X2



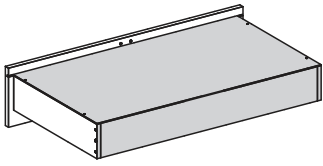
Detail 23




STEP 33

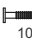
PARTS REQUIRED

19 - DRAWER BOTTOM SUPPORTBAR - BLACK X2

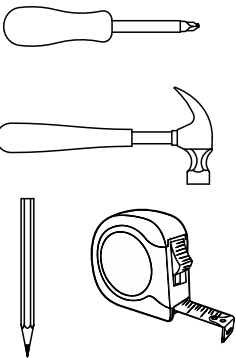


HARDWARE REQUIRED

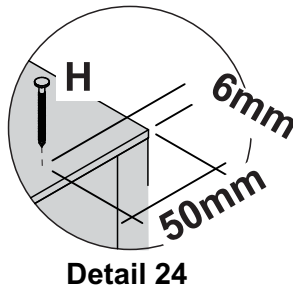
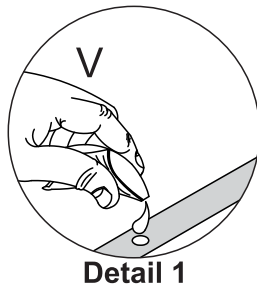
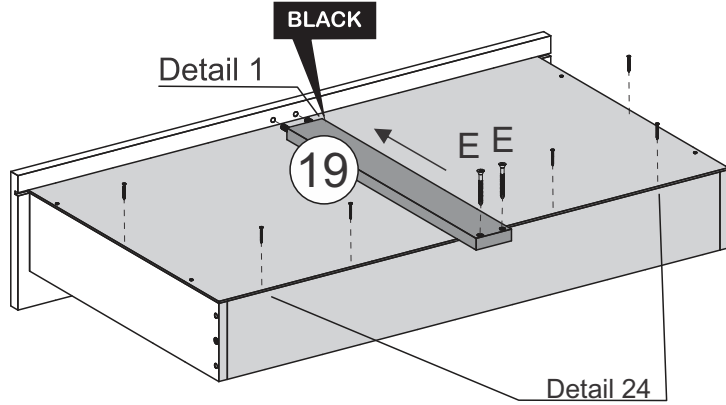
E  04
Ø3,5 x 40mm

H  12
10 x 10

TOOLS REQUIRED

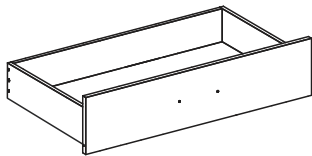


X2





STEP 34

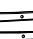
PARTS REQUIRED




HARDWARE REQUIRED

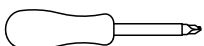
C  08
Ø4,0 x 14mm

D  04
Ø4,0 x 20mm

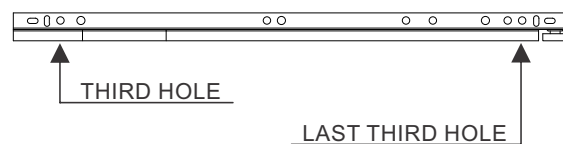
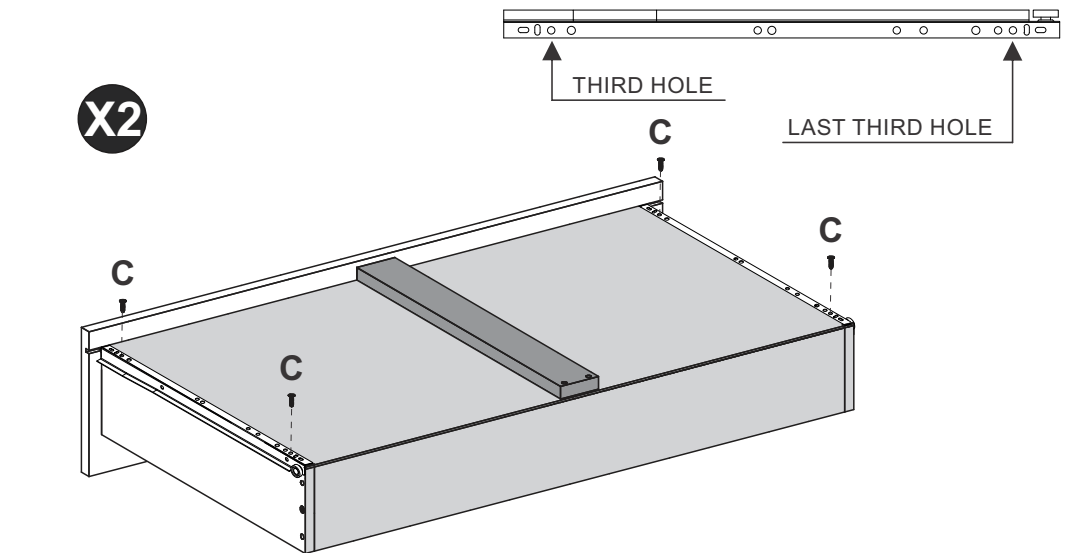
Q  04

T  02

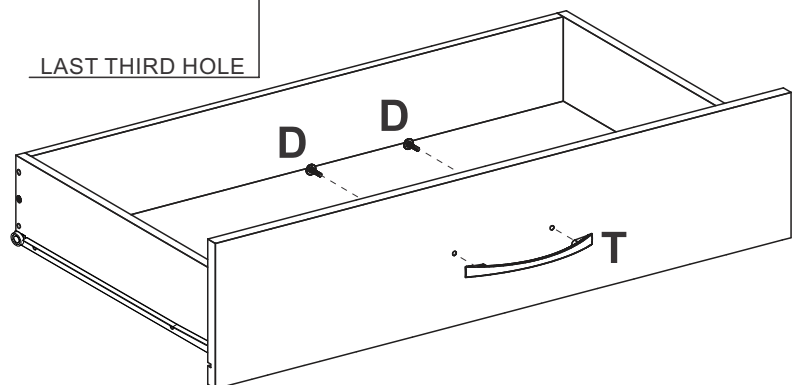
TOOLS REQUIRED



X2



X2





STEP 35

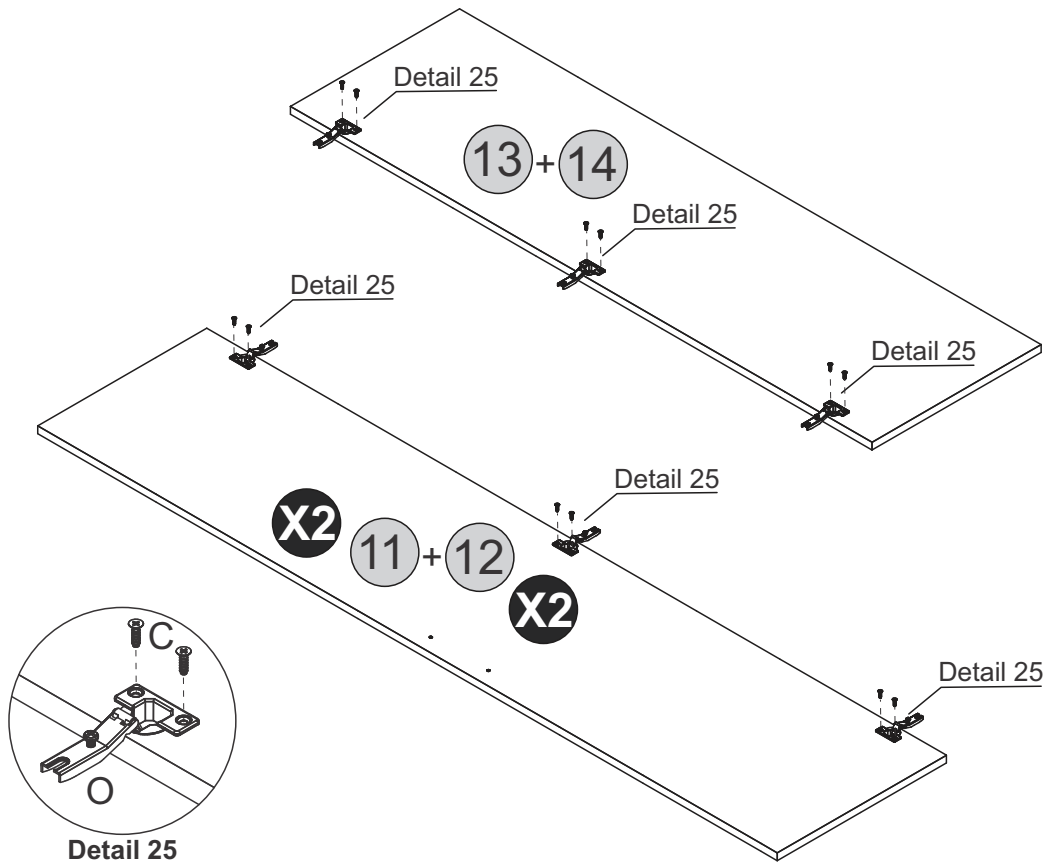
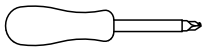
PARTS REQUIRED

11 - RIGHT LARGE DOOR	x2
12 - LEFT LARGE DOOR	x2
13 - RIGHT SMALL DOOR	x1
14 - LEFT SMALL DOOR	x1

HARDWARE REQUIRED

C		36
O		18

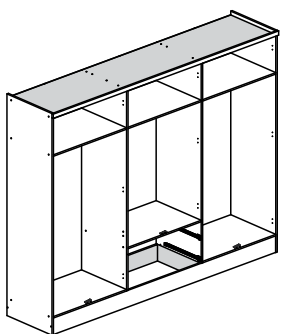
TOOLS REQUIRED



STEP 36

PARTS REQUIRED

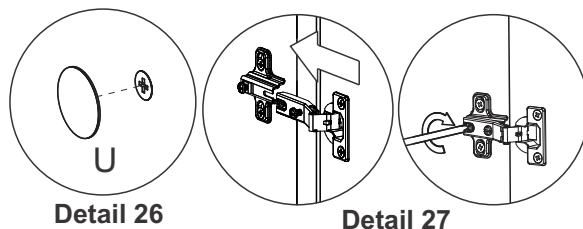
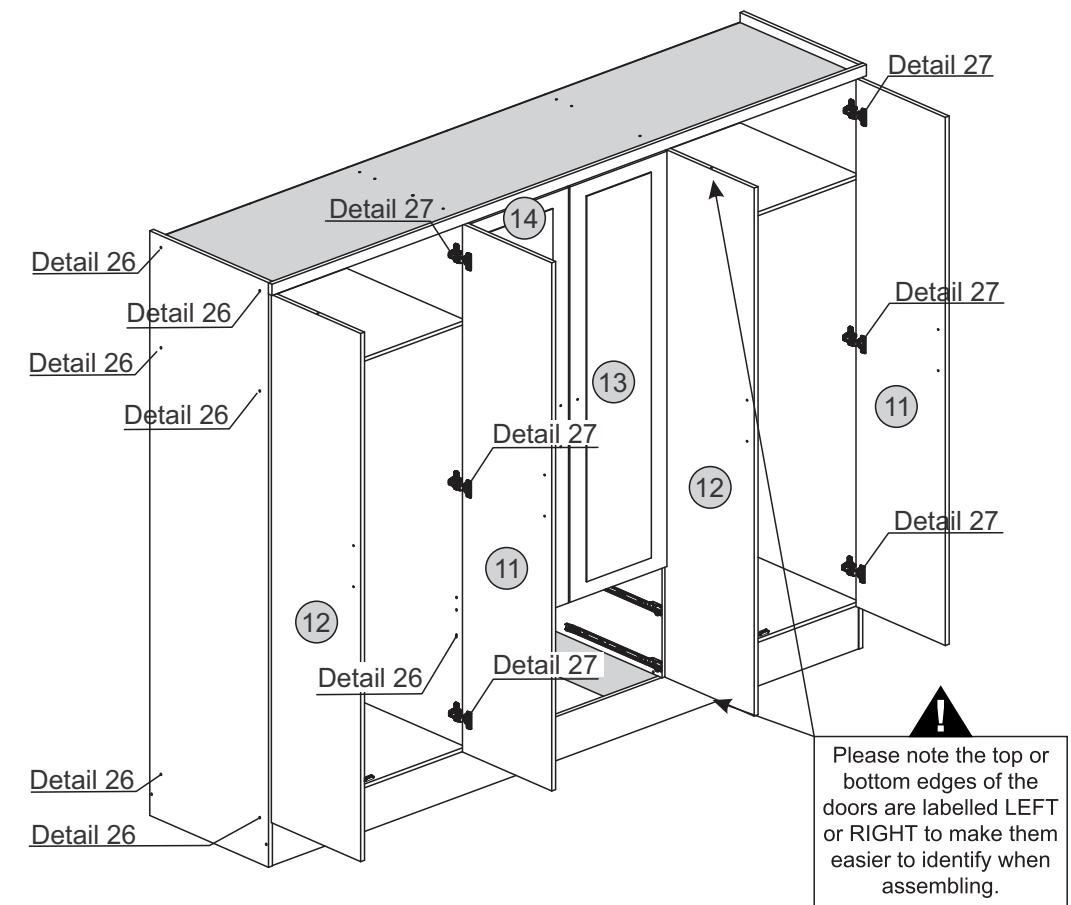
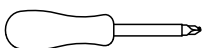
11 - RIGHT LARGE DOOR	x2
12 - LEFT LARGE DOOR	x2
13 - RIGHT SMALL DOOR	x1
14 - LEFT SMALL DOOR	x1



HARDWARE REQUIRED

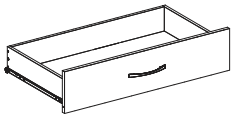
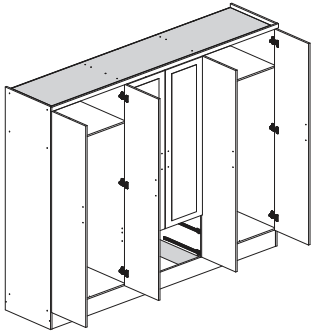
U		30
---	-------------------------------------------------------------------------------------	----

TOOLS REQUIRED

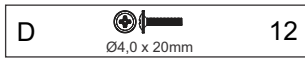


STEP 37

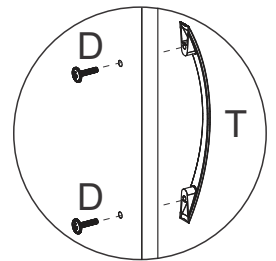
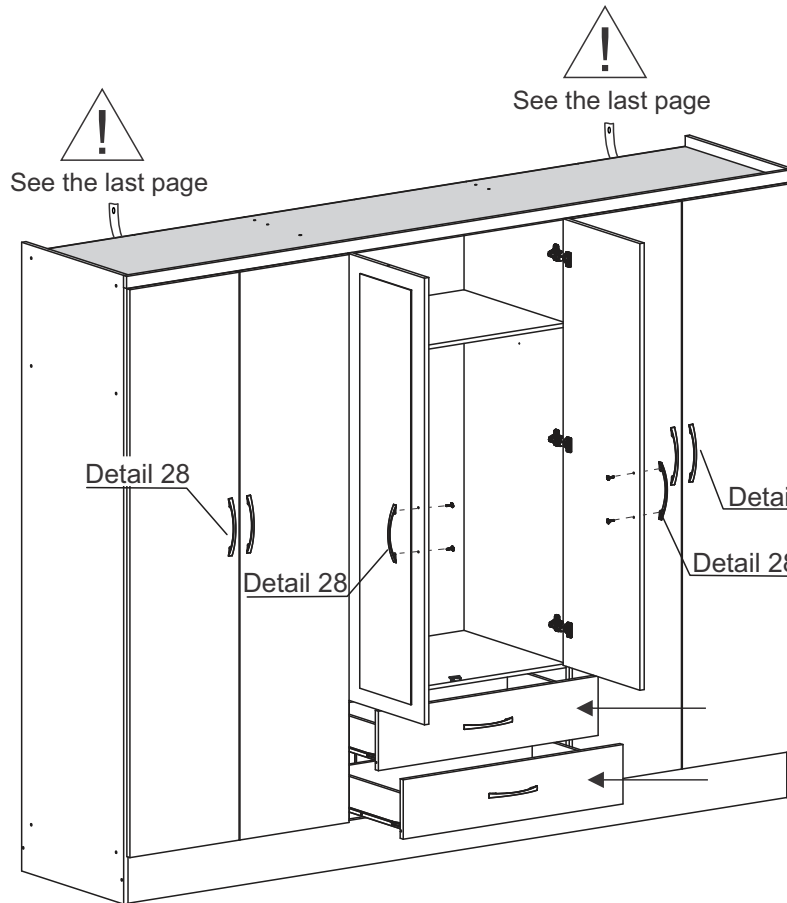
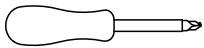
PARTS REQUIRED



HARDWARE REQUIRED



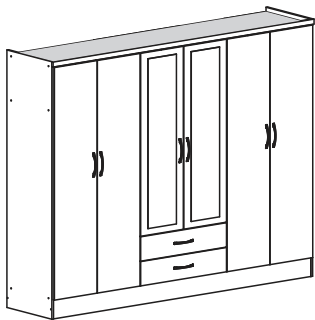
TOOLS REQUIRED



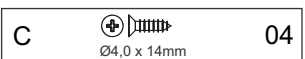
Detail 28

STEP 38

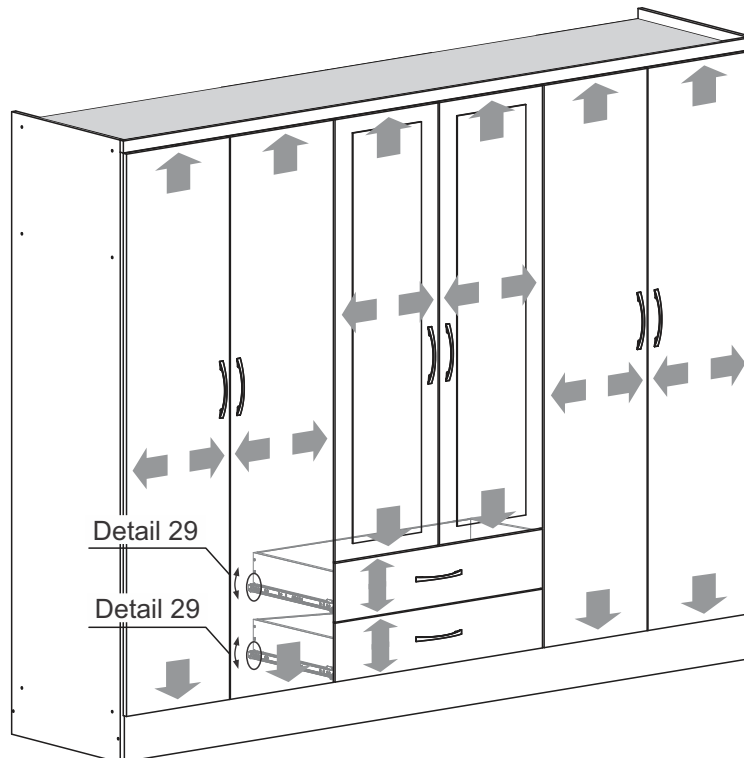
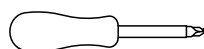
PARTS REQUIRED



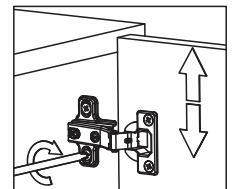
HARDWARE REQUIRED



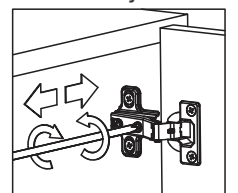
TOOLS REQUIRED



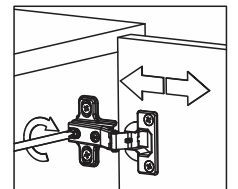
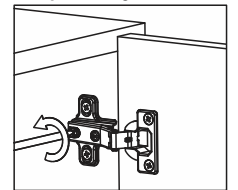
Height Adjustment



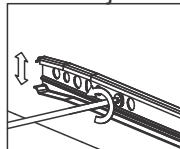
Internal Adjustment



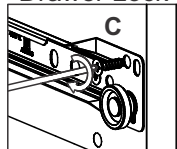
Depth Adjustment



Drawer Adjustment



Drawer Lock



Detail 29

WARNING

Serious or fatal injuries can occur from furniture tipping over. To prevent the furniture from tipping over we recommend that it is permanently fixed to the wall.

Wall fixings are not supplied with this product as different wall materials require different types of fixing devices.

Please make sure you use fixings suitable for the walls in your home.

