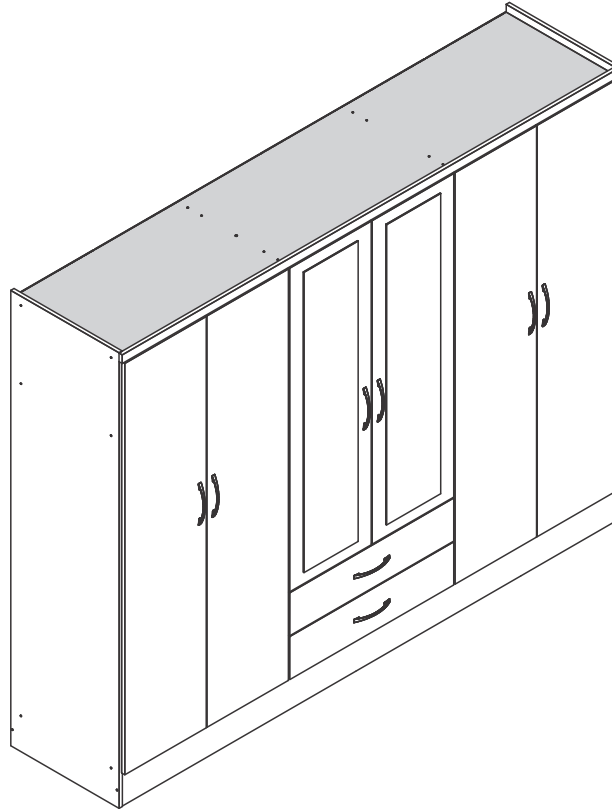


NEVADA 6 DOOR 2 DRAWER WARDROBE ASSEMBLY INSTRUCTIONS



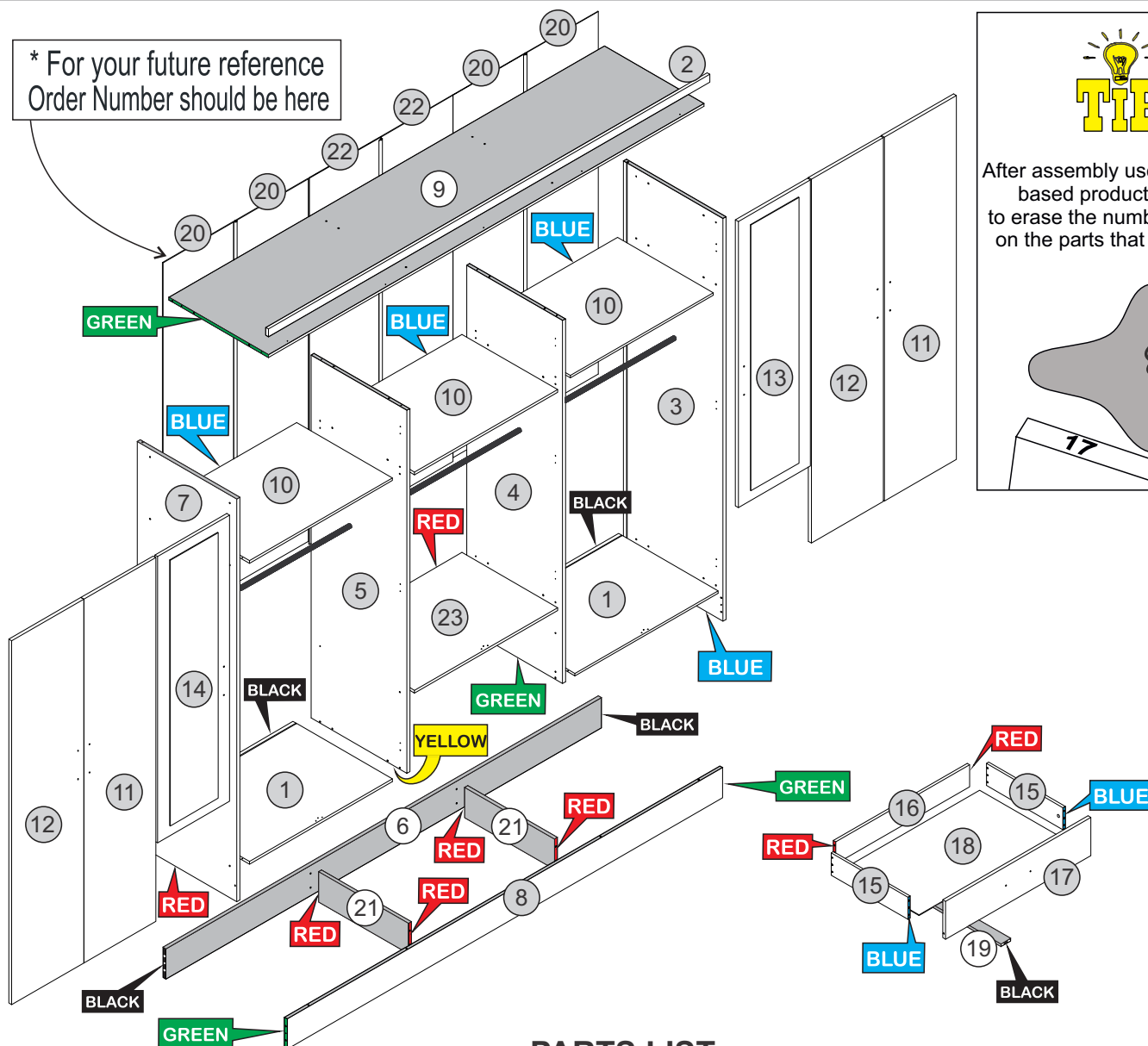
IMPORTANT
FOR DOMESTIC USE ONLY
PLEASE READ BEFORE YOU CONTINUE FURTHER

CARE AND MAINTENANCE

After unpacking this product please keep the original packaging in case it needs to be returned for any reason.

- Please ensure all fittings and parts are present before commencing with assembly.
- Never drag or push products as this could cause damage to the joints making it inferior.
- We strongly recommend that you keep children away from your work area.
- We recommend that you lay a blanket or sheet on the floor to avoid damage to both your floor and the product.
- Assemble this product as close to its final position as possible.
- Do not place this product next to a radiator or in direct sunlight.
- Do not drag or push items across your high gloss furniture as this may cause the surface to scratch
- Wood is a natural product and may expand if subjected to damp and may shrink or crack if subjected to heat. Therefore it is recommended that room temperature is maintained, with no sudden temperature fluctuations.
- Make sure any spillage is wiped off immediately.
- Do not place hot or chilled items directly on to the surface, use a place mat or marking will occur.
- For general cleaning use a soft cotton or micro fibre cloth, and do not use detergents of any kind.
- From time to time it may be necessary to tighten fittings, regular inspections should be carried out.
- Do not place on a wet or damp floor as staining may occur to your floor.

* For your future reference
Order Number should be here



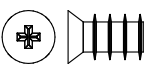
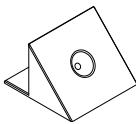
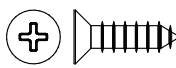
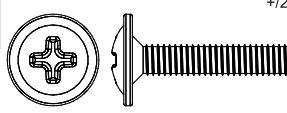

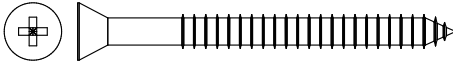

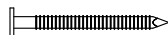
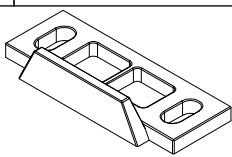
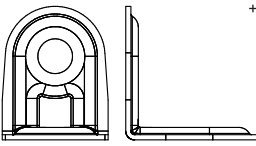
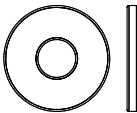
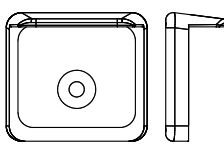
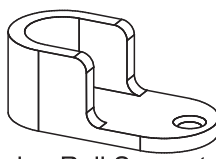

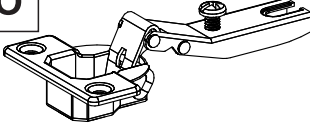
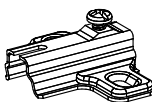
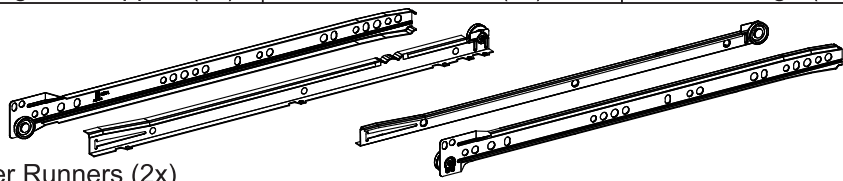
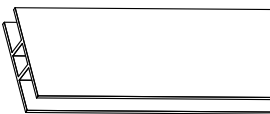




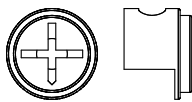
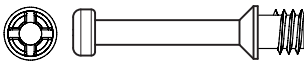
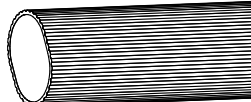
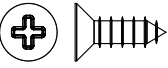
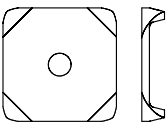
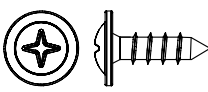
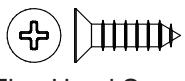
PARTS LIST

Please Note:

The below parts have all been stamped with the part number/color to help identify them during assembly.

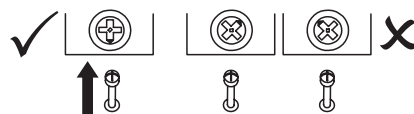
Part Number	Part Description	Quantity	Carton
1	Base Panel - Black	2	2/4
2	Frame	1	3/4
3	Right Side Panel - Blue	1	1/4
4	Right Division Panel - Green	1	1/4
5	Left Division Panel - Yellow	1	2/4
6	Back Baseboard - Black	1	3/4
7	Left Side Panel - Red	1	1/4
8	Front Baseboard - Green	1	3/4
9	Top Panel - Green	1	3/4
10	Upper Panel - Blue	3	2/4
11	Right Large Door	2	4/4
12	Left Large Door	2	3/4
13	Right Small Door	1	4/4
14	Left Small Door	1	4/4
15	Drawer Side - Blue	4	1/4
16	Drawer Back Panel - Red	2	1/4
17	Drawer Front	2	1/4
18	Drawer Bottom	2	2/4
19	Drawer Bottom Support Bar - Black	2	1/4
20	Back Panel	4	4/4
21	Central Baseboard - Red	2	1/4
22	Centre Back Panel	2	2/4
23	Shelf Over Drawer - Red	1	2/4

FITTINGS LIST

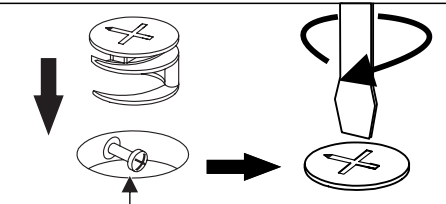
A  Flat Head Screw Ø6,0 x 10mm (8x) +1	B  Plastic Corner Bracket (12x) 2/+	C  Flat Head Screw Ø4,0 x 14 mm (96x) +2	D  Flan Head Screw Ø4,0 x 20mm (16x) +2
E  Flat Head Screw Ø3,5 x 40mm (4x) +1	F  Flat Head Screw Ø4,0 x 50 mm (44x) +2	G  Dowel Ø6,0 x 30mm (76x) +2	
H  Nail 10 x 10 (70x) +2	I  Door Stopper (6x)	J  'L' Metallic Support (11x) +2	K  Washer (4x) +1
L  Plastic Foot (8x) +1	M  Hanging Rail Support (6x)	N  Flan Head Screw Ø3,5 x 30mm (2x) +1	O  Hinge (18x)
P  Hinge Plate (18x)	Q  Drawer Runners (2x)		
R  Back Panel Strip (3x)	S  Strap (2x)	T  Handle (8x)	U  Hole Plugs (38x) +2
V  Glue (2x)	W  Cam Nut (4x) +1	X  Cam Bolt (4x) +1	Y  Hanging Rail (3x)
Z  Flat Head Screw Ø4,0 x 12mm (34x) +2	A1  Back Panel Bracket (16x) 2/+	B1  Flan Head Screw 3,5 x14mm (6x) 1/+	C1  Flan Head Screw 3,5 x16mm (12x) 2/+

TIPS FOR FITTINGS CAM-LOCKS

WHEN FITTING A CAM NUT, ENSURE STARTING POSITION IS CORRECT BEFORE YOU INSERT CONNECTING CAM BOLT TURN CLOCKWISE UNTIL SECURE

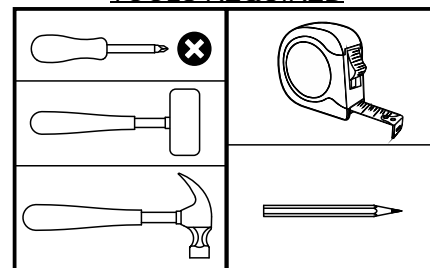


CORRECT **WRONG**



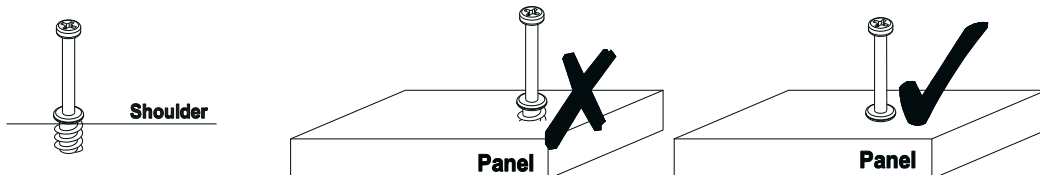
Cam bolt head needs to be in centre

TOOLS REQUIRED



CAMBOLT

Tighten until shoulder is flush with panel. Do not overtighten or undertighten (see example beside)



STEP 1


PARTS REQUIRED

1 - BASE PANEL - BLACK x2

10 - UPPER PANEL - BLUE x3

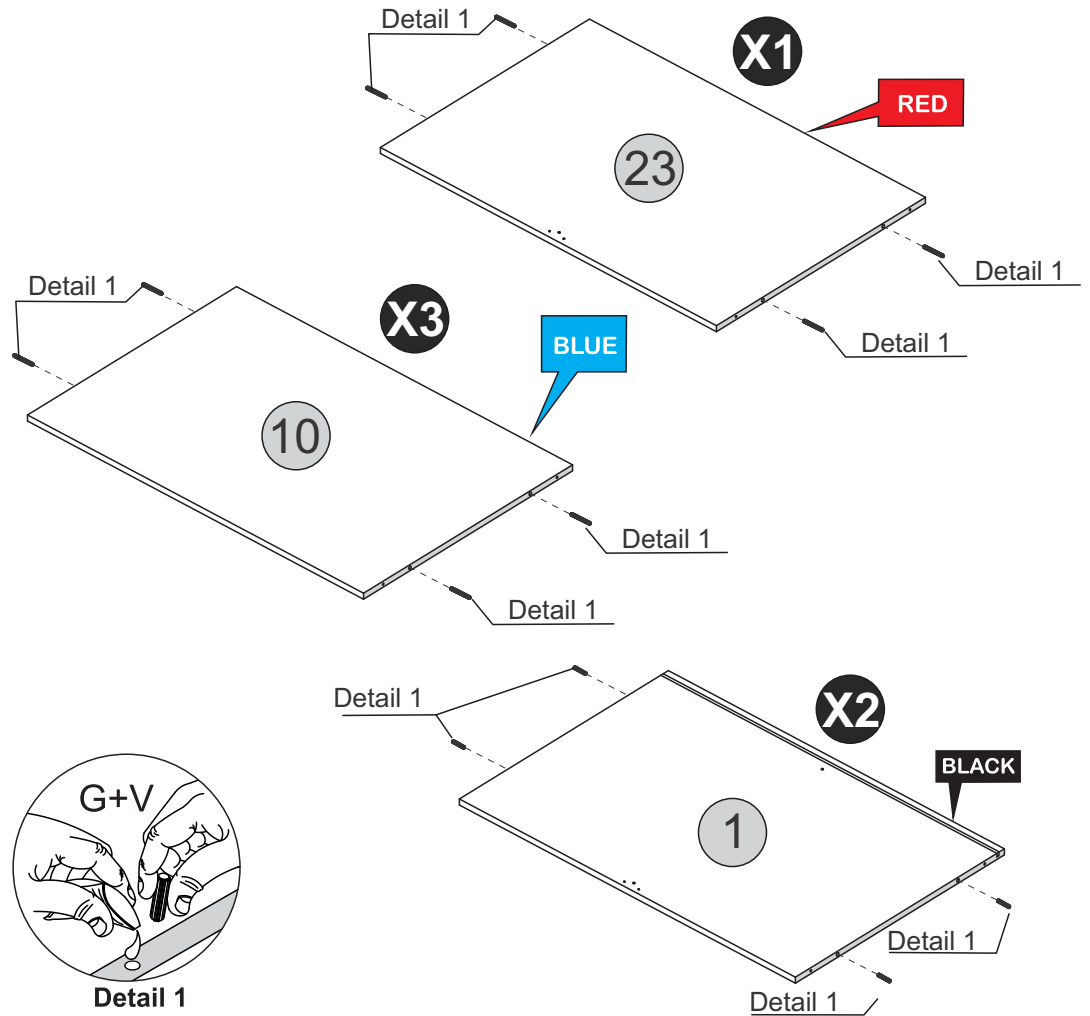
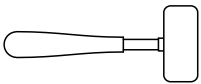
23 - SHELF OVER DRAWER - RED x1

HARDWARE REQUIRED

G  24
Ø6,0 x 30mm

V  01

TOOLS REQUIRED



STEP 2

PARTS REQUIRED

6 - BACK BASEBOARD - BLACK x1

8 - FRONT BASEBOARD - GREEN x1

HARDWARE REQUIRED

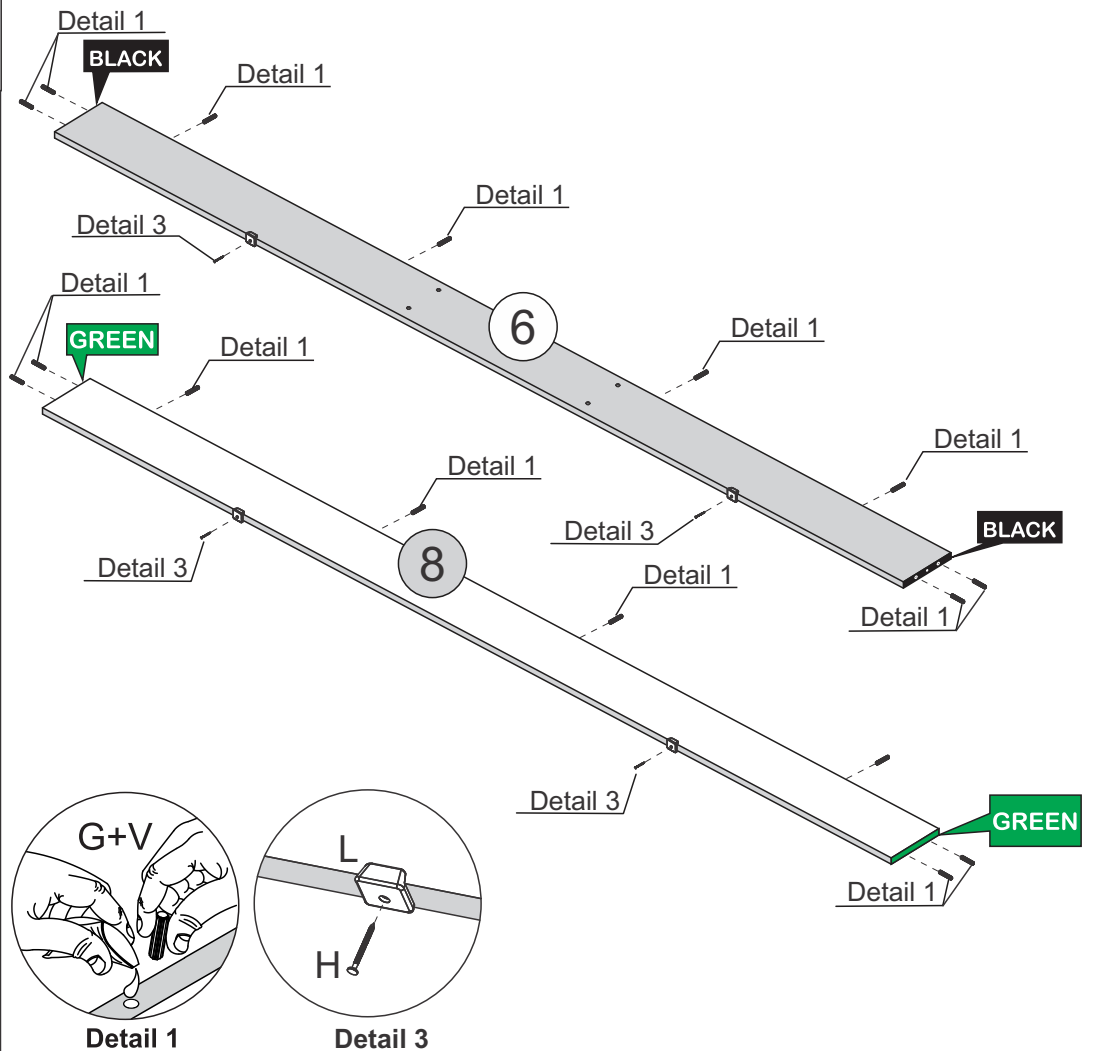
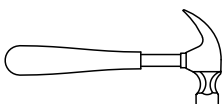
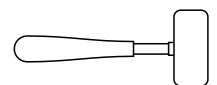
G  16
Ø6,0 x 30mm

H  04

L  04

V  01

TOOLS REQUIRED



STEP 3

PARTS REQUIRED

5 - LEFT DIVISION PANEL - YELLOW x1

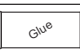
HARDWARE REQUIRED

C  08
Ø4,0 x 14mm

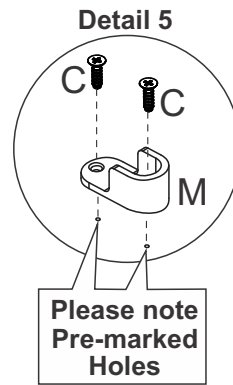
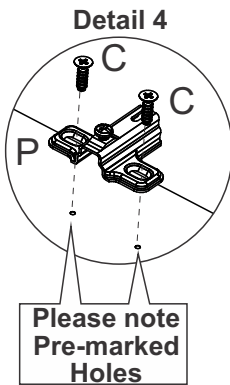
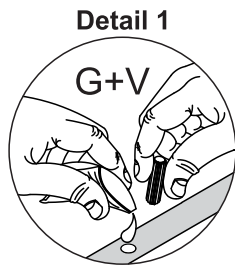
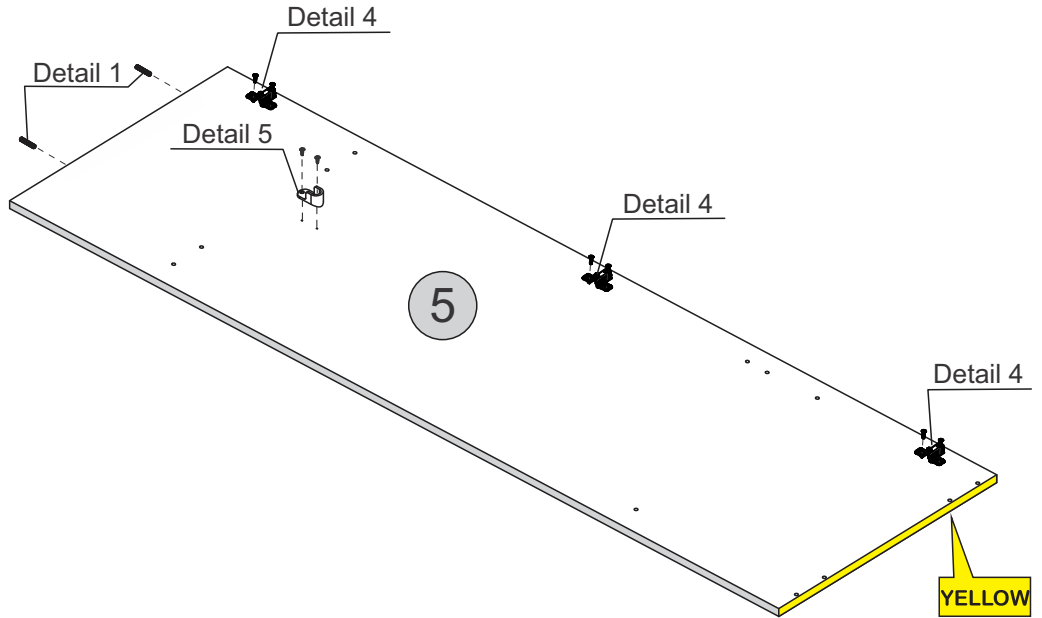
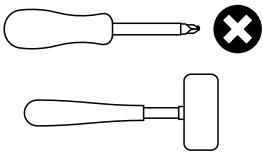
G  02
Ø6,0 x 30mm

M  01

P  03

V  01

TOOLS REQUIRED



STEP 4

PARTS REQUIRED

5 - LEFT DIVISION PANEL - YELLOW x1

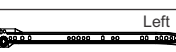
HARDWARE REQUIRED

A  04
Ø6,0 x 10mm

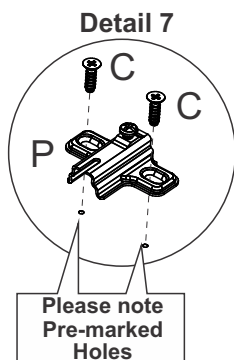
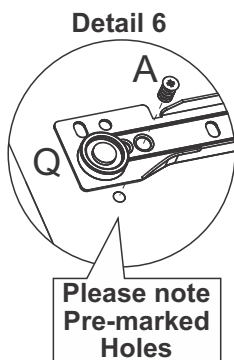
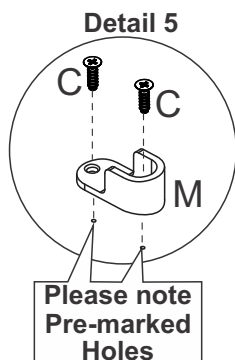
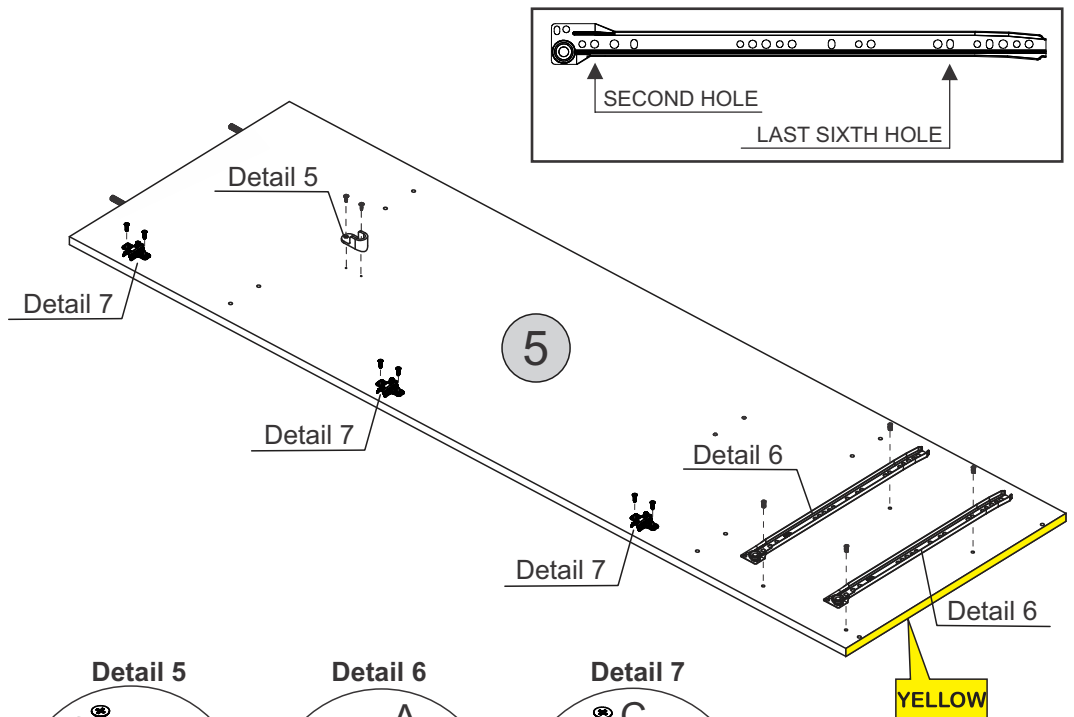
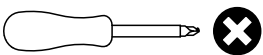
C  08
Ø4,0 x 14mm

M  01

P  03

Q  02
Left

TOOLS REQUIRED

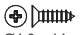


STEP 5

PARTS REQUIRED

4 - RIGHT DIVISION PANEL - GREEN x1

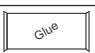
HARDWARE REQUIRED

C  08
Ø4,0 x 14mm

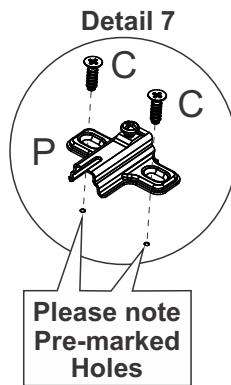
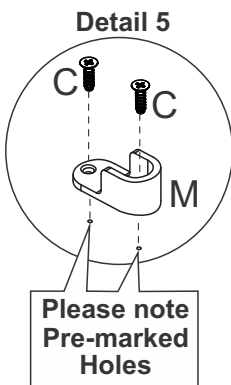
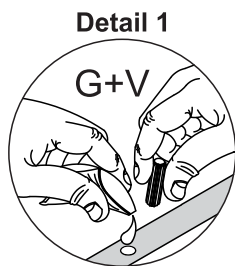
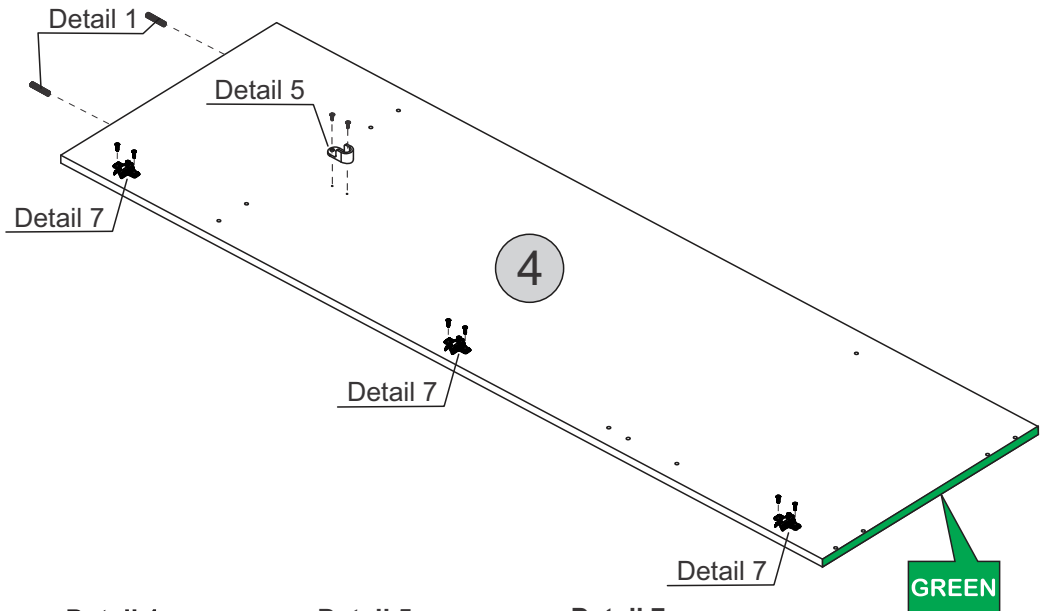
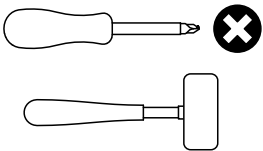
G  02
Ø6,0 x 30mm

M  01

P  03

V  01
Glue

TOOLS REQUIRED



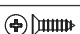
STEP 6

PARTS REQUIRED

4 - RIGHT DIVISION PANEL - GREEN x1

HARDWARE REQUIRED

A  04
Ø6,0 x 10mm

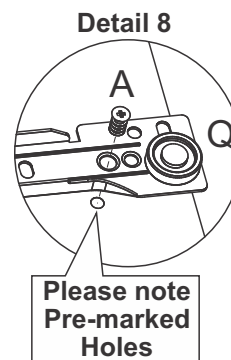
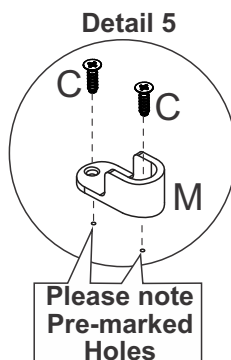
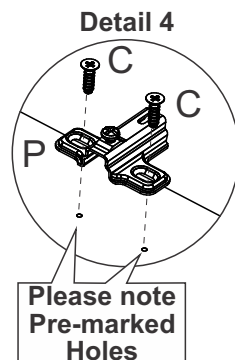
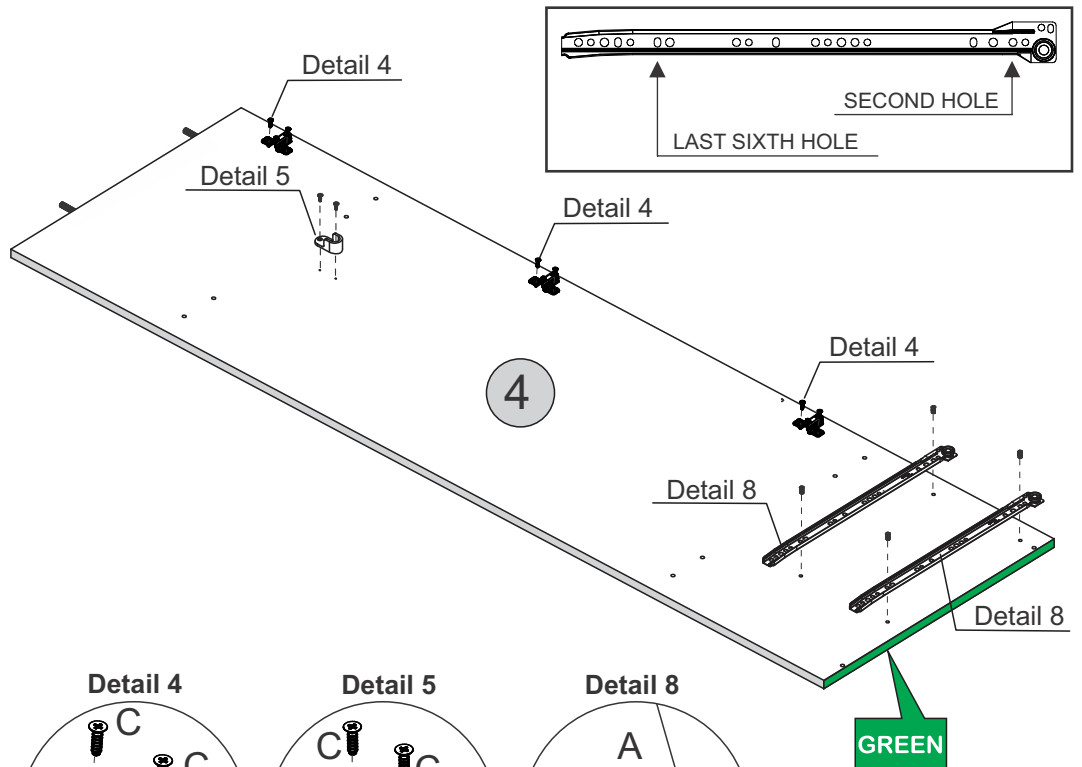
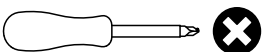
C  08
Ø4,0 x 14mm

M  01

P  03

Q  02
Right

TOOLS REQUIRED



STEP 7

PARTS REQUIRED

3 - RIGHT SIDE PANEL - BLUE x1

HARDWARE REQUIRED

C  08
Ø4,0 x 14mm

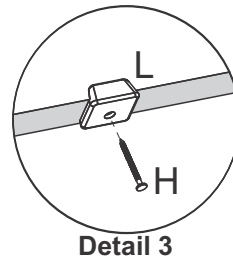
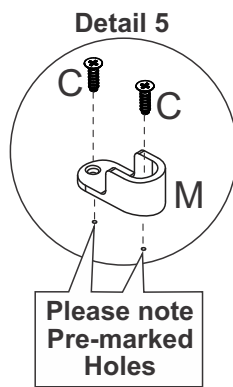
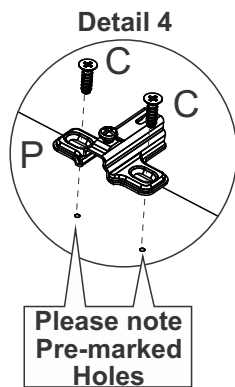
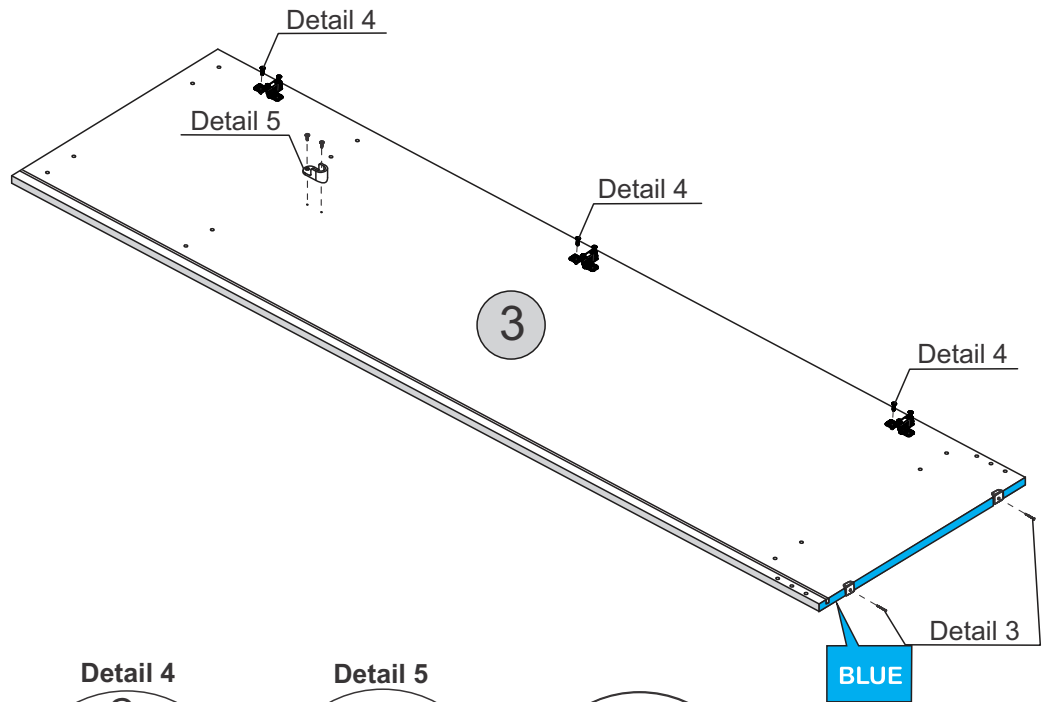
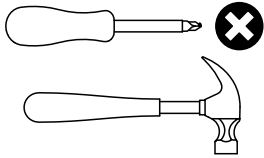
H  02

L  02

M  01

P  03

TOOLS REQUIRED



STEP 8

PARTS REQUIRED

7 - LEFT SIDE PANEL - RED x1

HARDWARE REQUIRED

C  08
Ø4,0 x 14mm

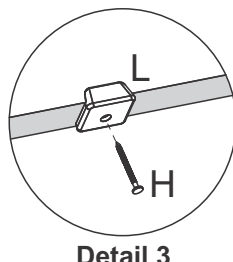
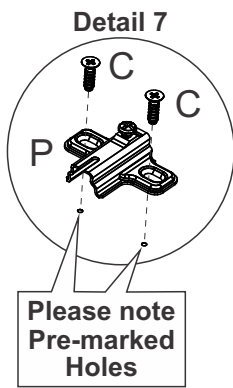
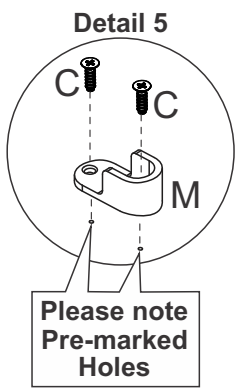
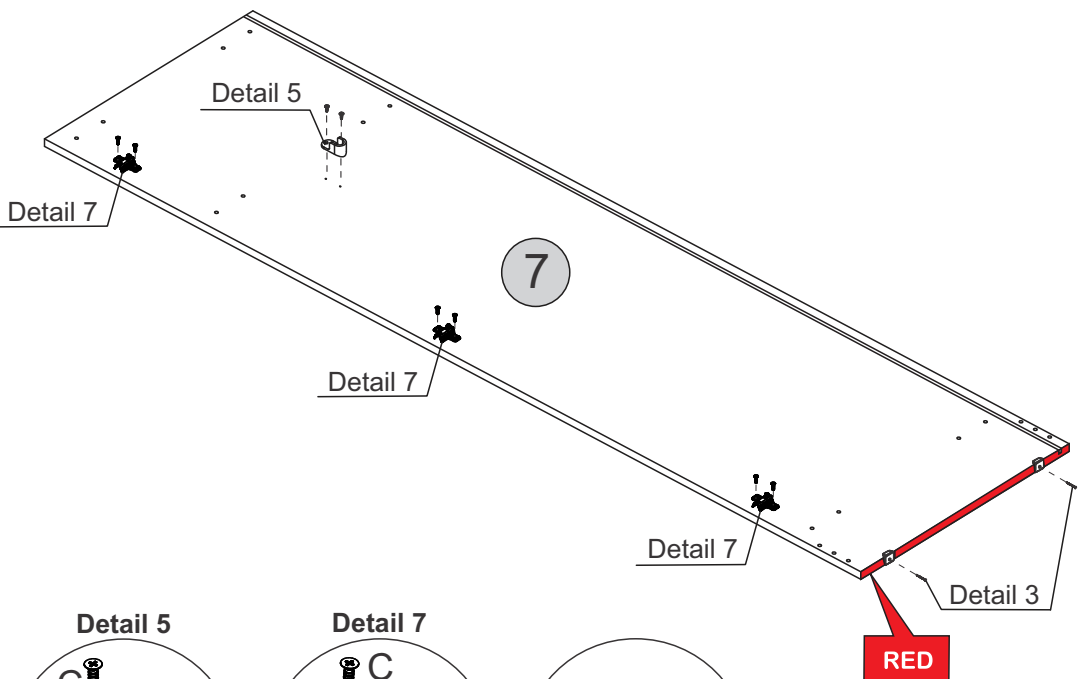
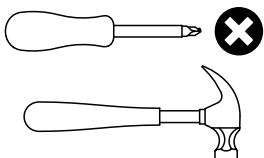
H  02

L  02

M  01

P  03

TOOLS REQUIRED





STEP 9

PARTS REQUIRED


9 - TOP PANEL - GREEN x1

HARDWARE REQUIRED

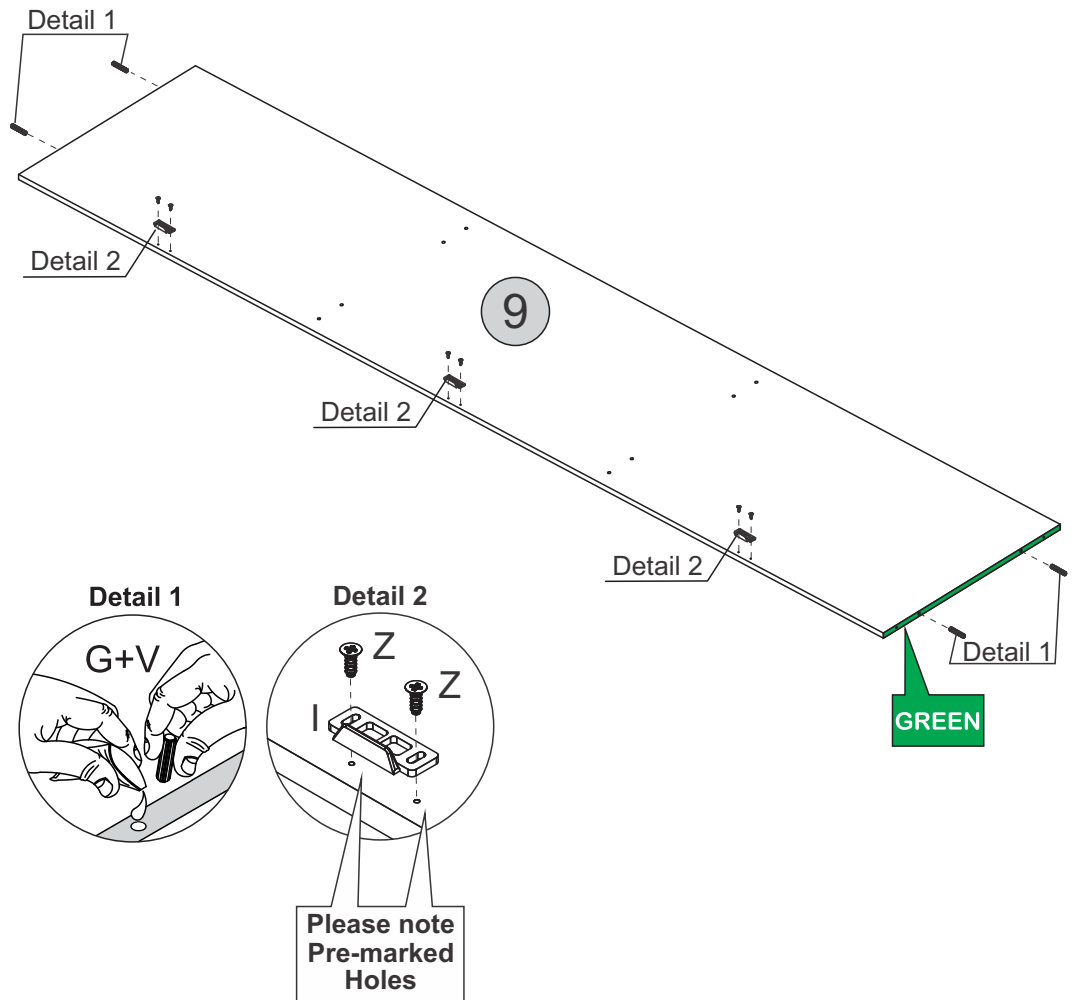
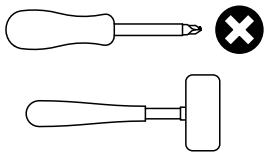
G  04
Ø6,0 x 30mm

V  01
Glue

Z  06
Ø4,0 x 12mm

I  03

TOOLS REQUIRED



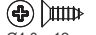
STEP 10

PARTS REQUIRED

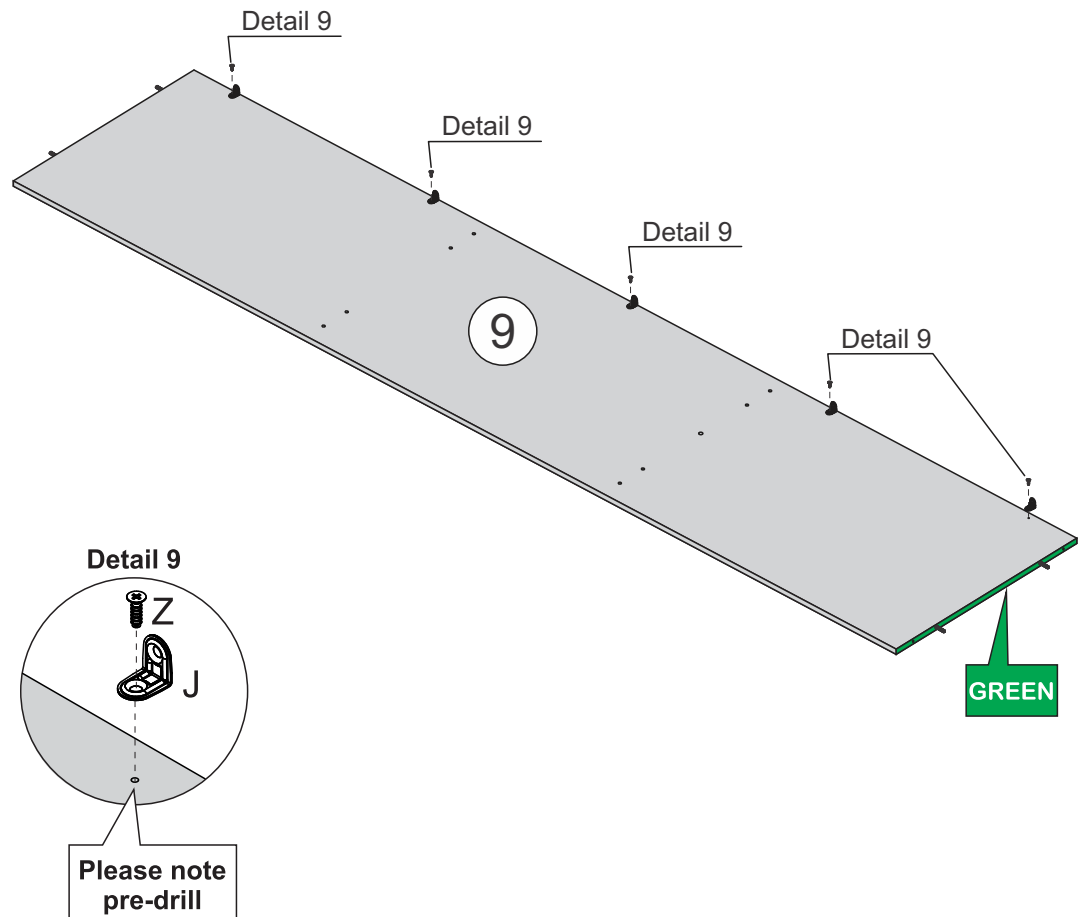
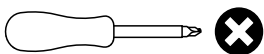
9 - TOP PANEL - GREEN x1

HARDWARE REQUIRED

J  05

Z  05
Ø4,0 x 12mm

TOOLS REQUIRED



STEP 11


PARTS REQUIRED

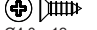
21 - CENTRAL BASEBOARD - RED x2

HARDWARE REQUIRED

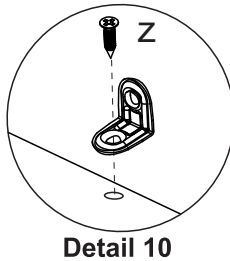
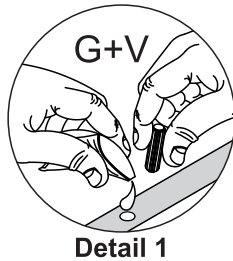
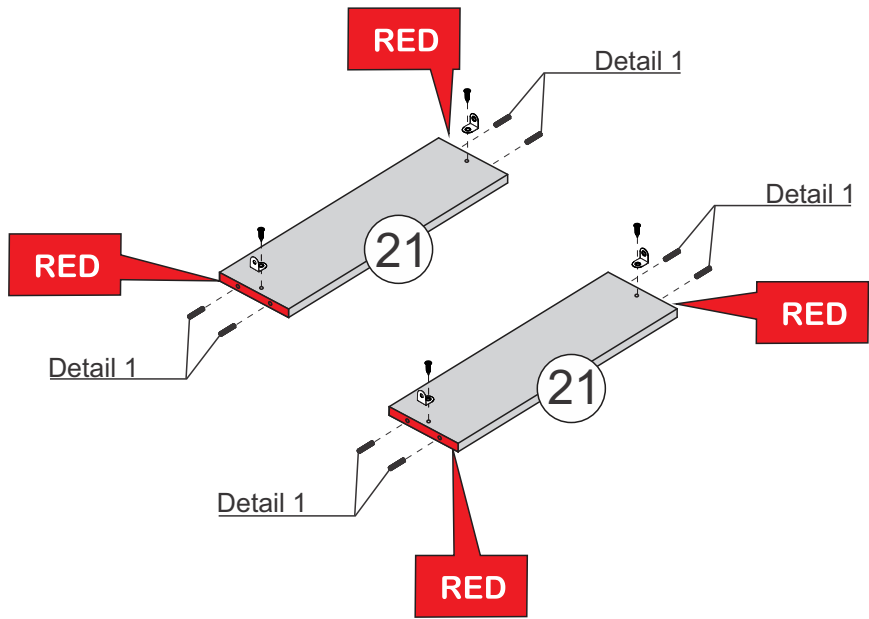
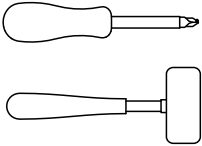
G  08
Ø6,0 x 30mm

J  04

V  01
Glue

Z  04
Ø4,0 x 12mm

TOOLS REQUIRED



Please note
Pre-marked
Hole

STEP 12

PARTS REQUIRED

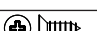
6 - BACK BASEBOARD - BLACK x1

8 - FRONT BASEBOARD - GREEN x1

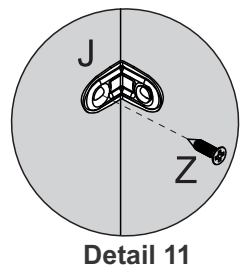
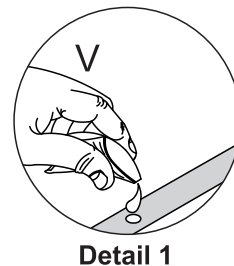
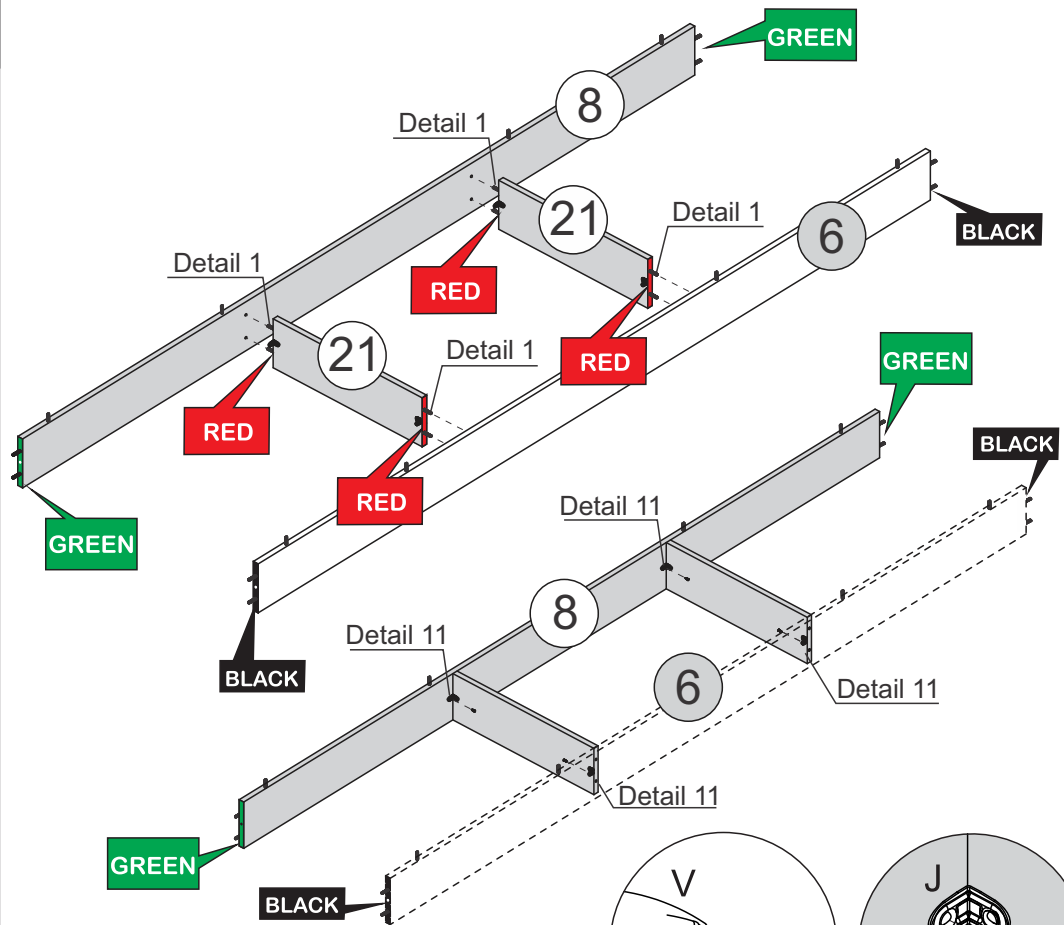
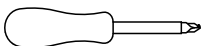
21 - CENTRAL BASEBOARD - RED x2

HARDWARE REQUIRED

V  01
Glue

Z  04
Ø4,0 x 12mm

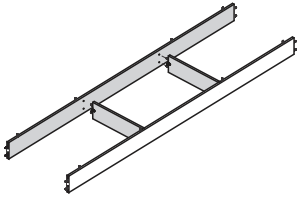
TOOLS REQUIRED




STEP 13

PARTS REQUIRED

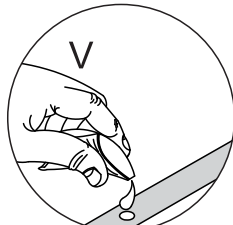
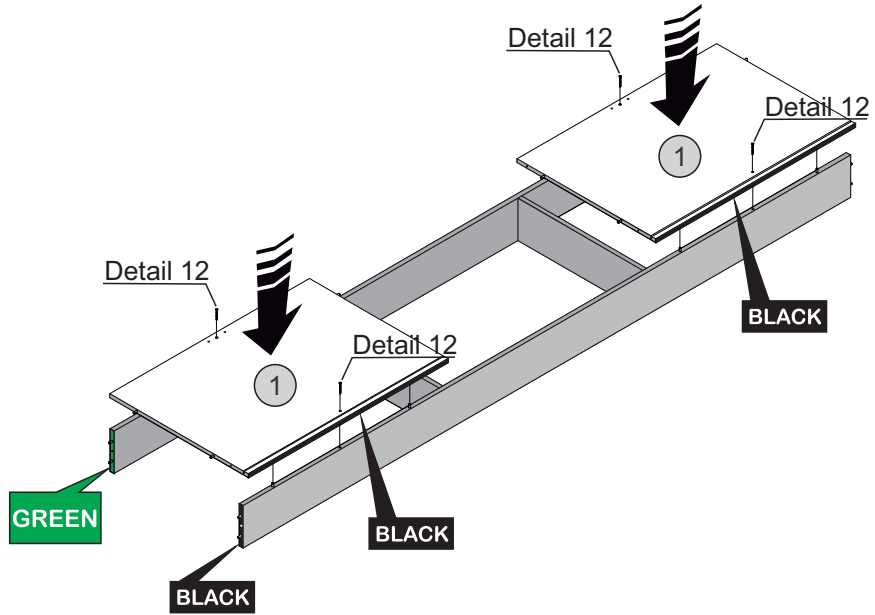
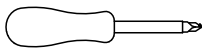
1 - BASE PANEL - BLACK x2



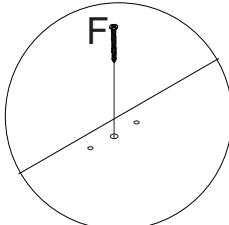
HARDWARE REQUIRED

F  04
Ø4,0 x 50mm

TOOLS REQUIRED



Detail 1

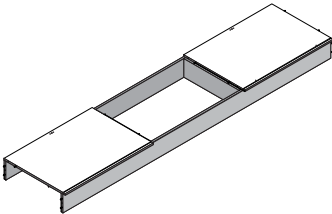


Detail 12


STEP 14


PARTS REQUIRED

7 - LEFT SIDE PANEL - RED x1

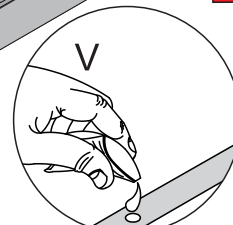
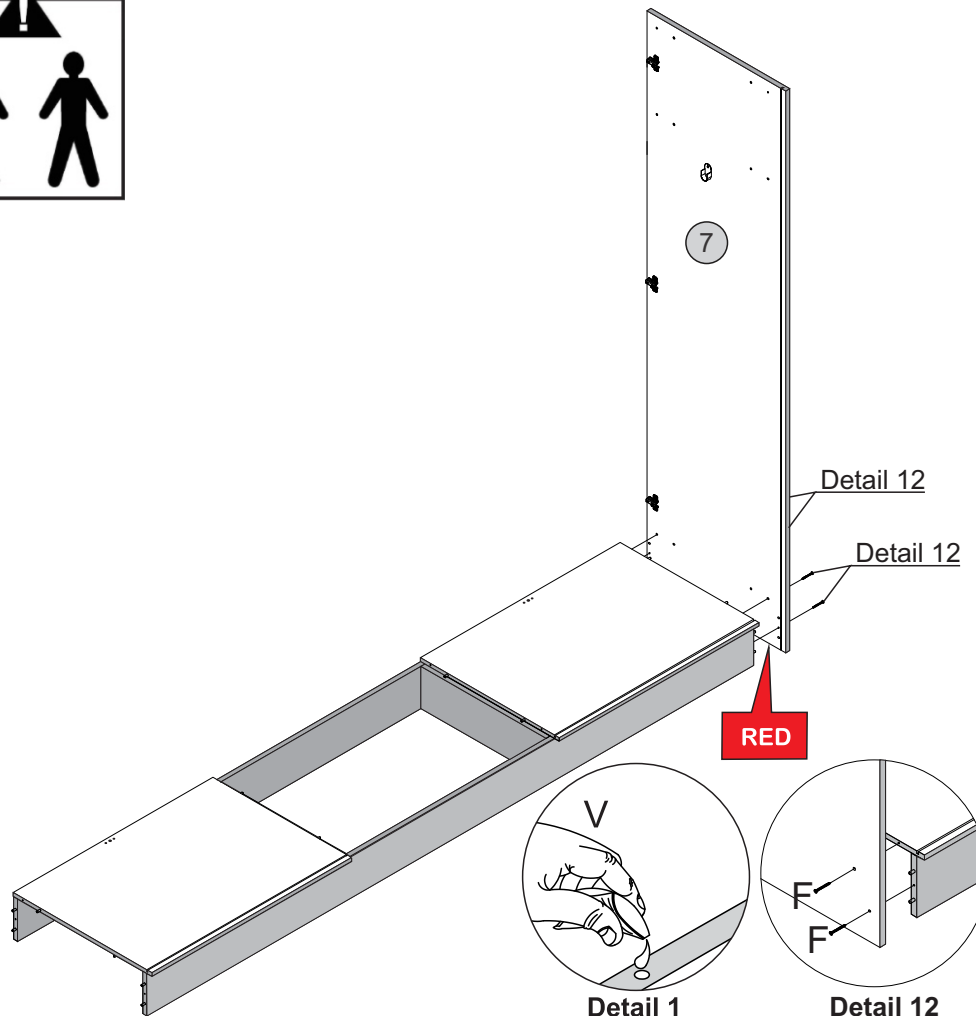
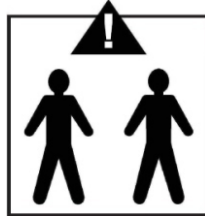
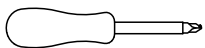


HARDWARE REQUIRED

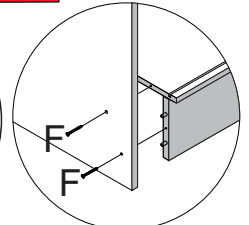
F  04
Ø4,0 x 50mm

V  01

TOOLS REQUIRED



Detail 1

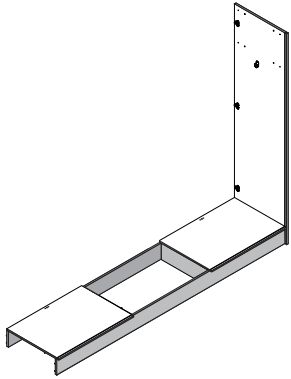


Detail 12


STEP 15

PARTS REQUIRED

5 - LEFT DIVISION PANEL - YELLOW x1

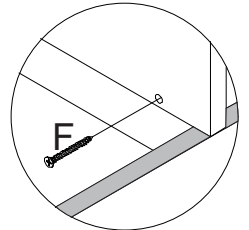
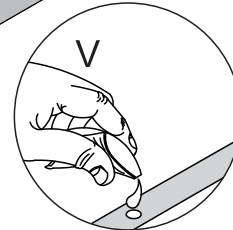
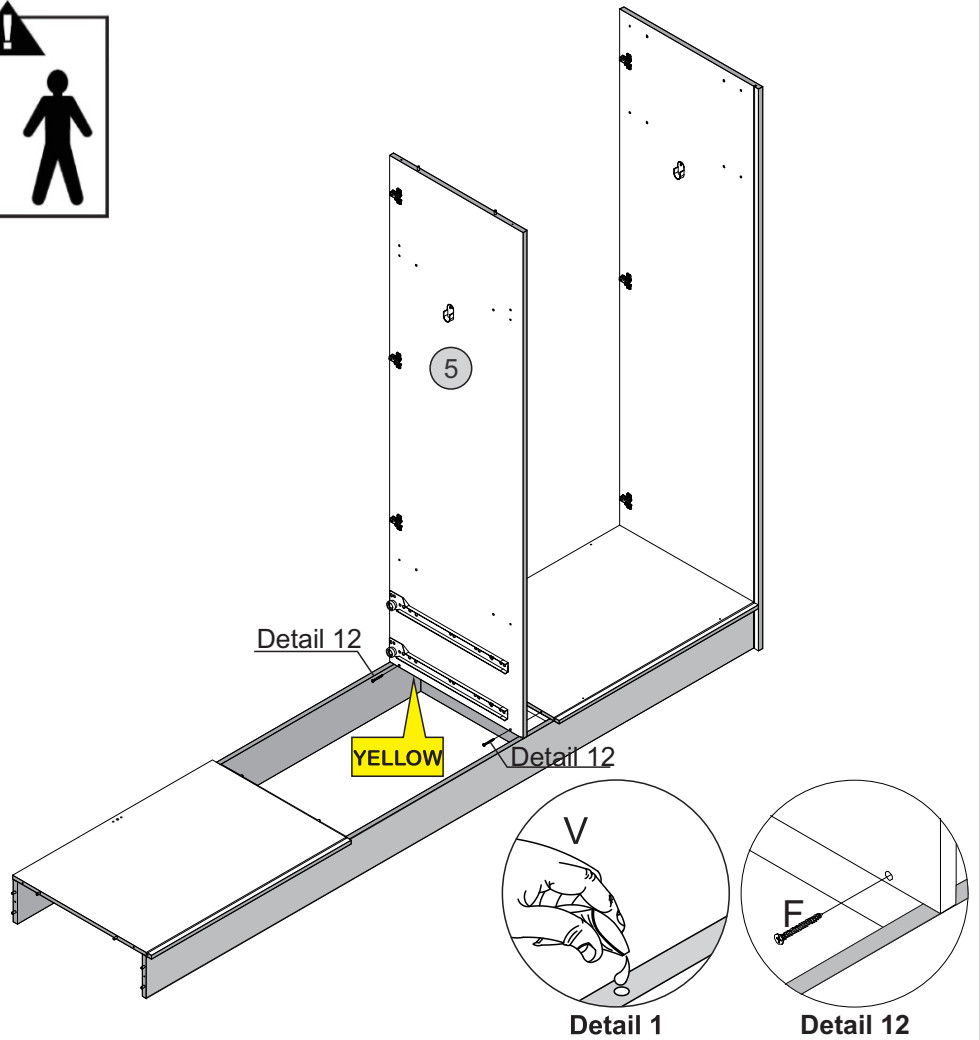
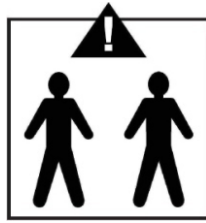
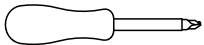


HARDWARE REQUIRED

F  02
Ø4,0 x 50mm

V  01

TOOLS REQUIRED



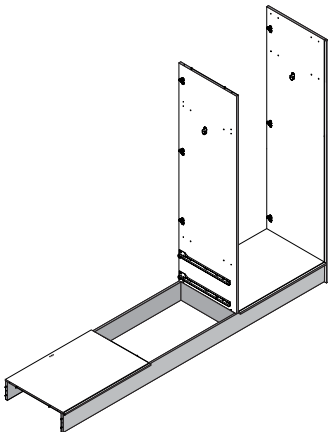
Detail 1

Detail 12


STEP 16


PARTS REQUIRED

10 - UPPER PANEL - BLUE x1

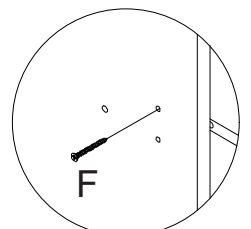
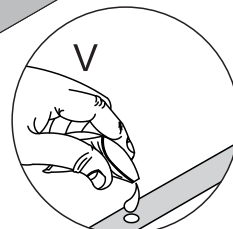
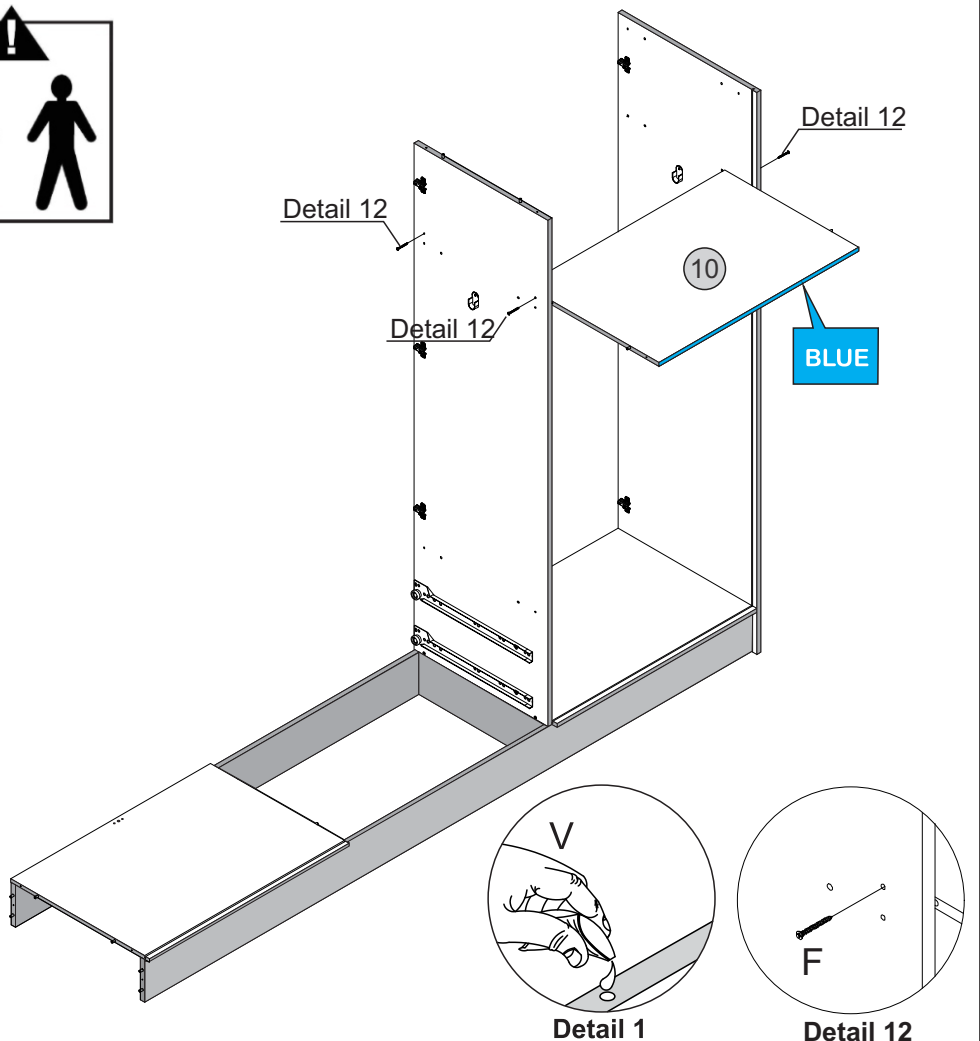
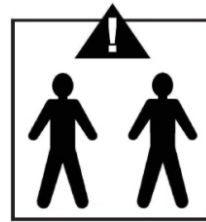
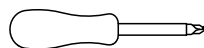


HARDWARE REQUIRED

F  04
Ø4,0 x 50mm

V  01

TOOLS REQUIRED



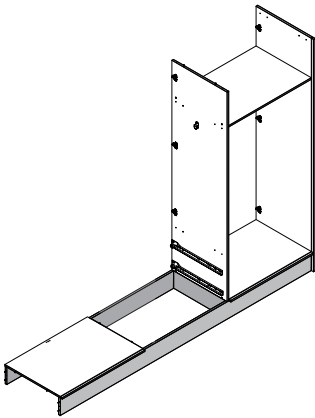
Detail 1

Detail 12


STEP 17

PARTS REQUIRED

4 - RIGHT DIVISION PANEL - GREEN x1

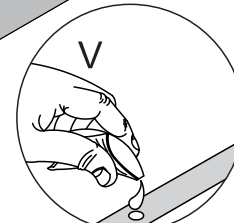
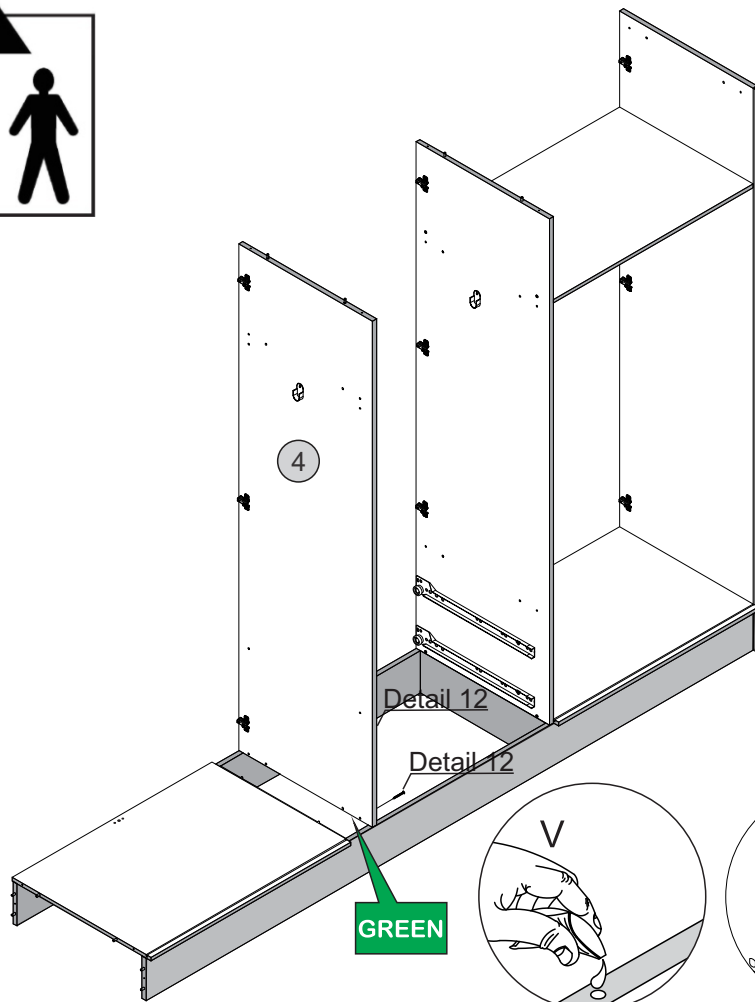
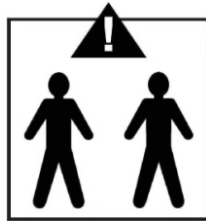
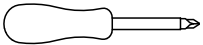


HARDWARE REQUIRED

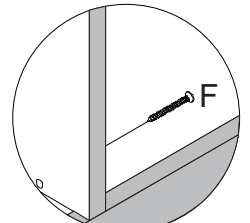
F  Ø4.0 x 50mm 02

V  01

TOOLS REQUIRED



Detail 1



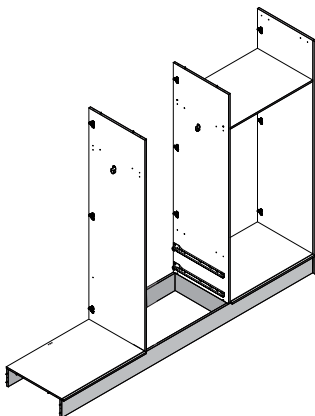
Detail 12

STEP 18


PARTS REQUIRED


10 - UPPER PANEL - BLUE x1

23 - SHELF OVER DRAWER - RED x1

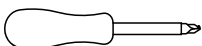


HARDWARE REQUIRED

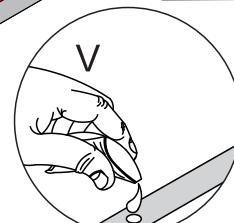
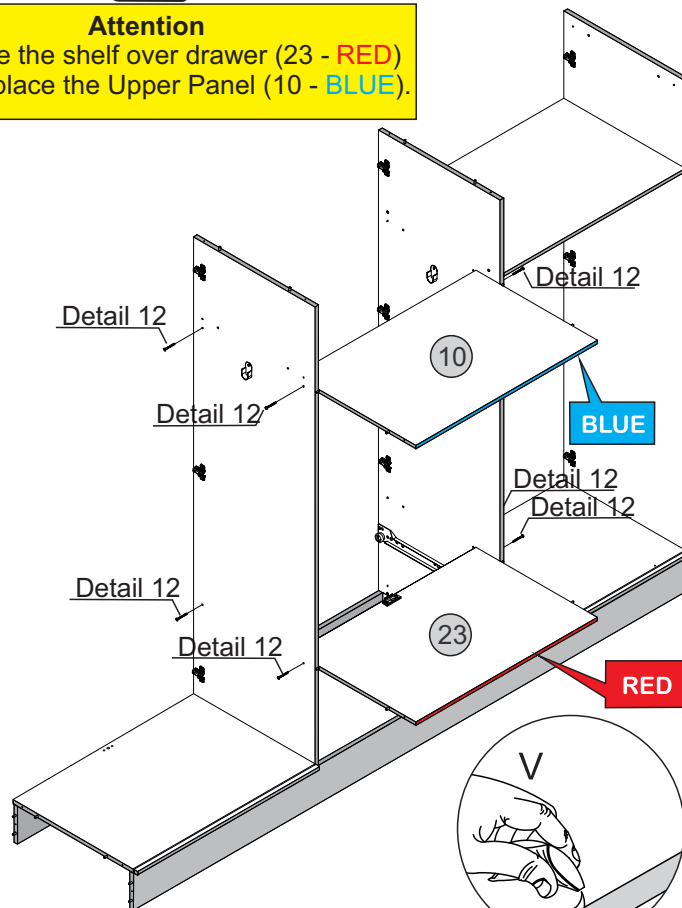
F  Ø4.0 x 50mm 08

V  01

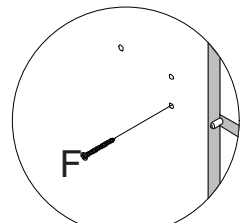
TOOLS REQUIRED



Attention
First place the shelf over drawer (23 - RED) and then place the Upper Panel (10 - BLUE).



Detail 1

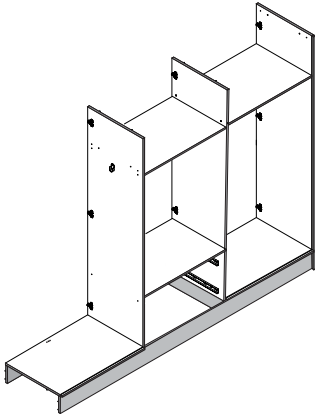


Detail 12


STEP 19


PARTS REQUIRED

3 - RIGHT SIDE PANEL - BLUE x1

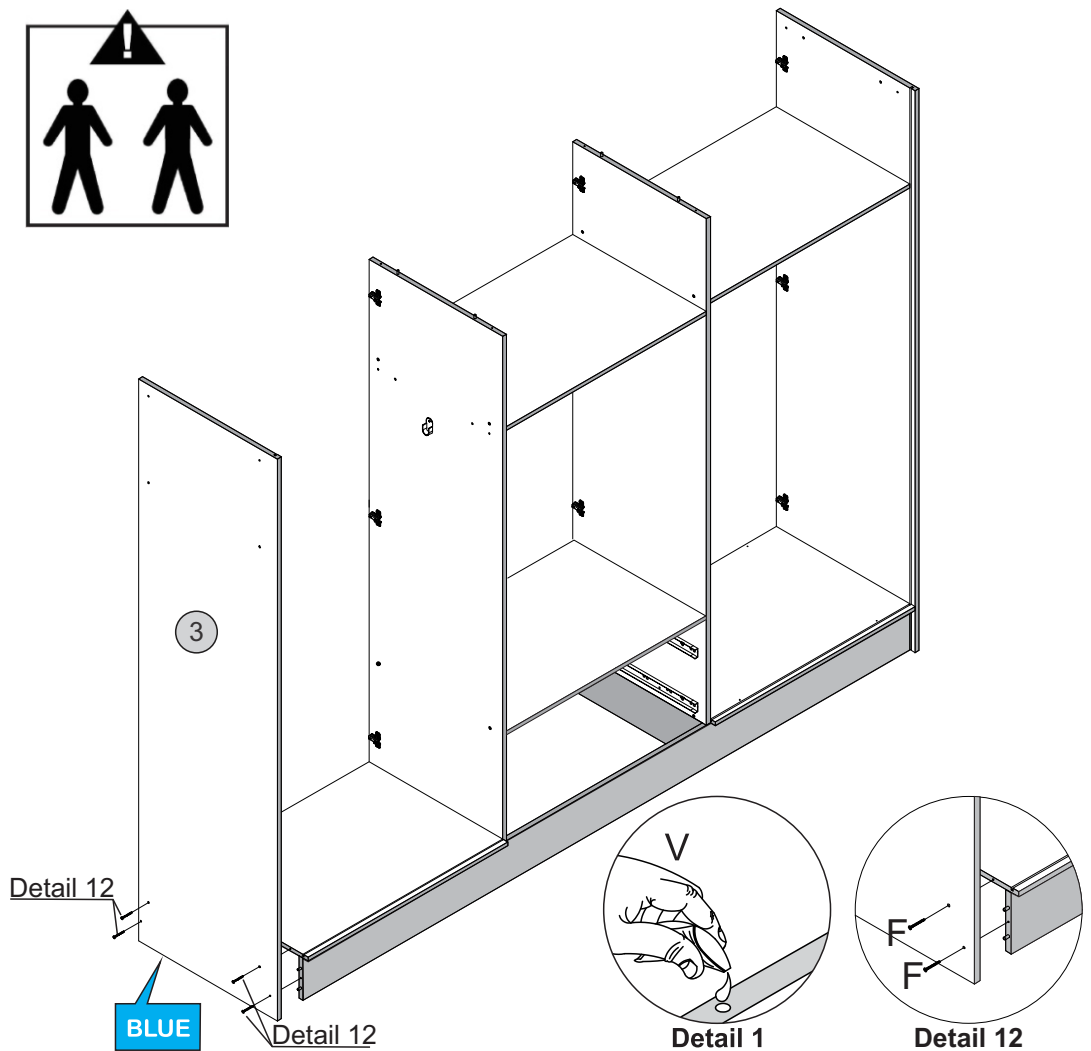
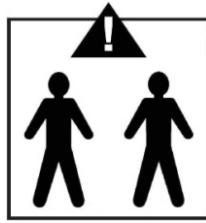
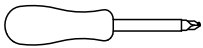


HARDWARE REQUIRED

F  04
Ø4,0 x 50mm

V  01

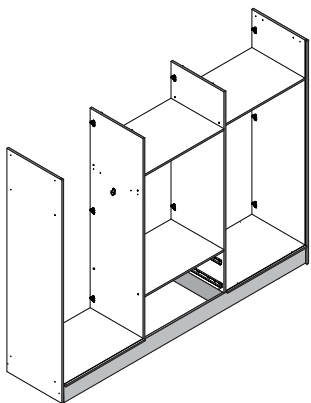
TOOLS REQUIRED




STEP 20


PARTS REQUIRED

10 - UPPER PANEL - BLUE x1

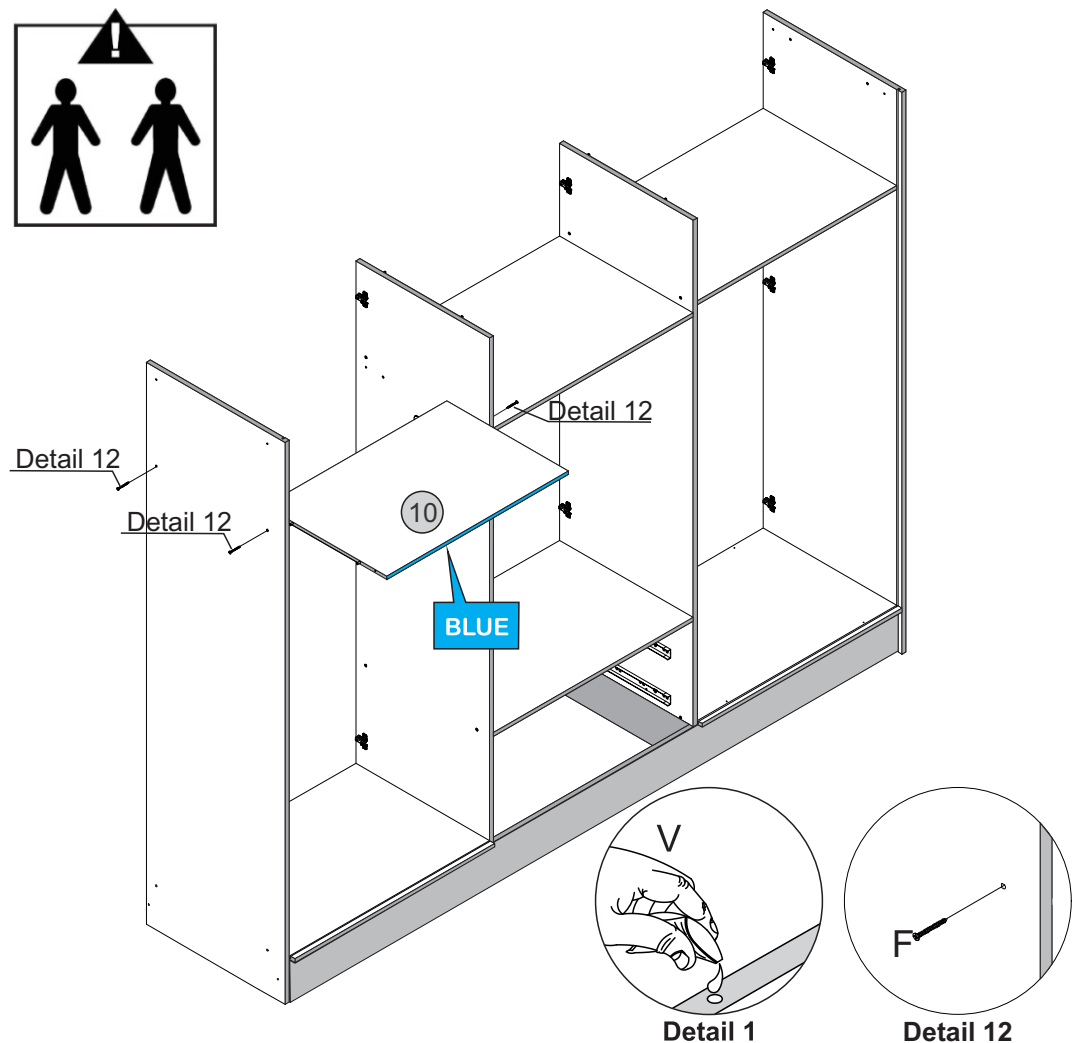
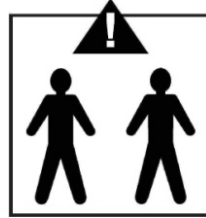


HARDWARE REQUIRED

F  04
Ø4,0 x 50mm

V  01

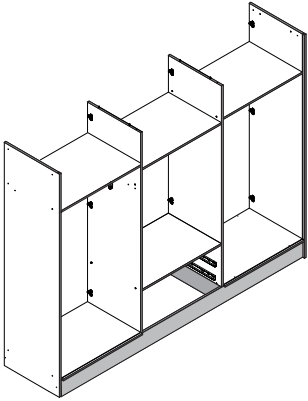
TOOLS REQUIRED



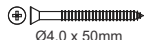
STEP 21


PARTS REQUIRED

9 - TOP PANEL - GREEN x1

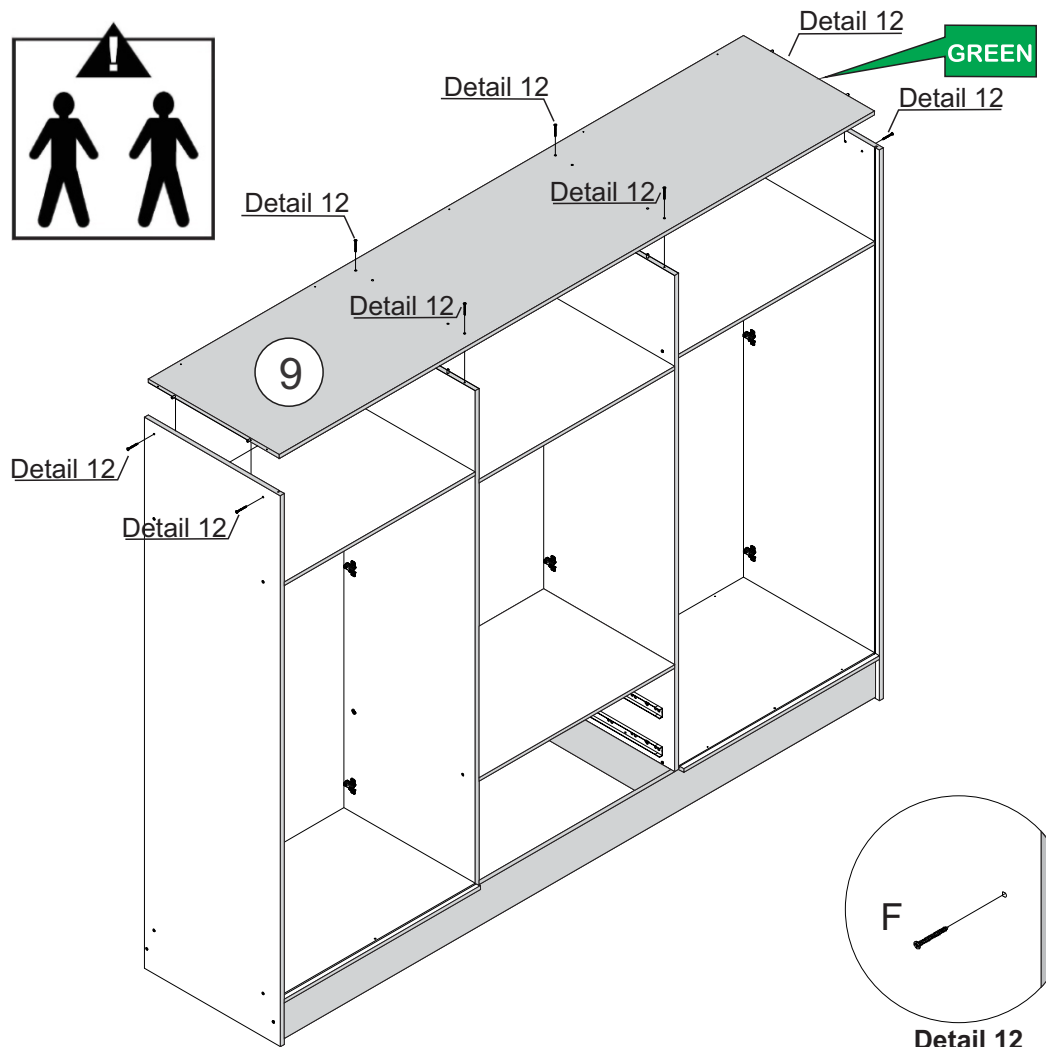
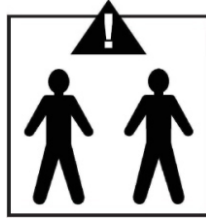
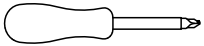


HARDWARE REQUIRED

F  08
Ø4,0 x 50mm

V  01

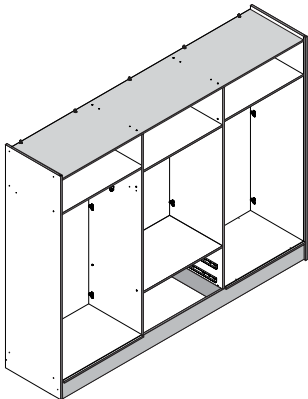
TOOLS REQUIRED




STEP 22

PARTS REQUIRED

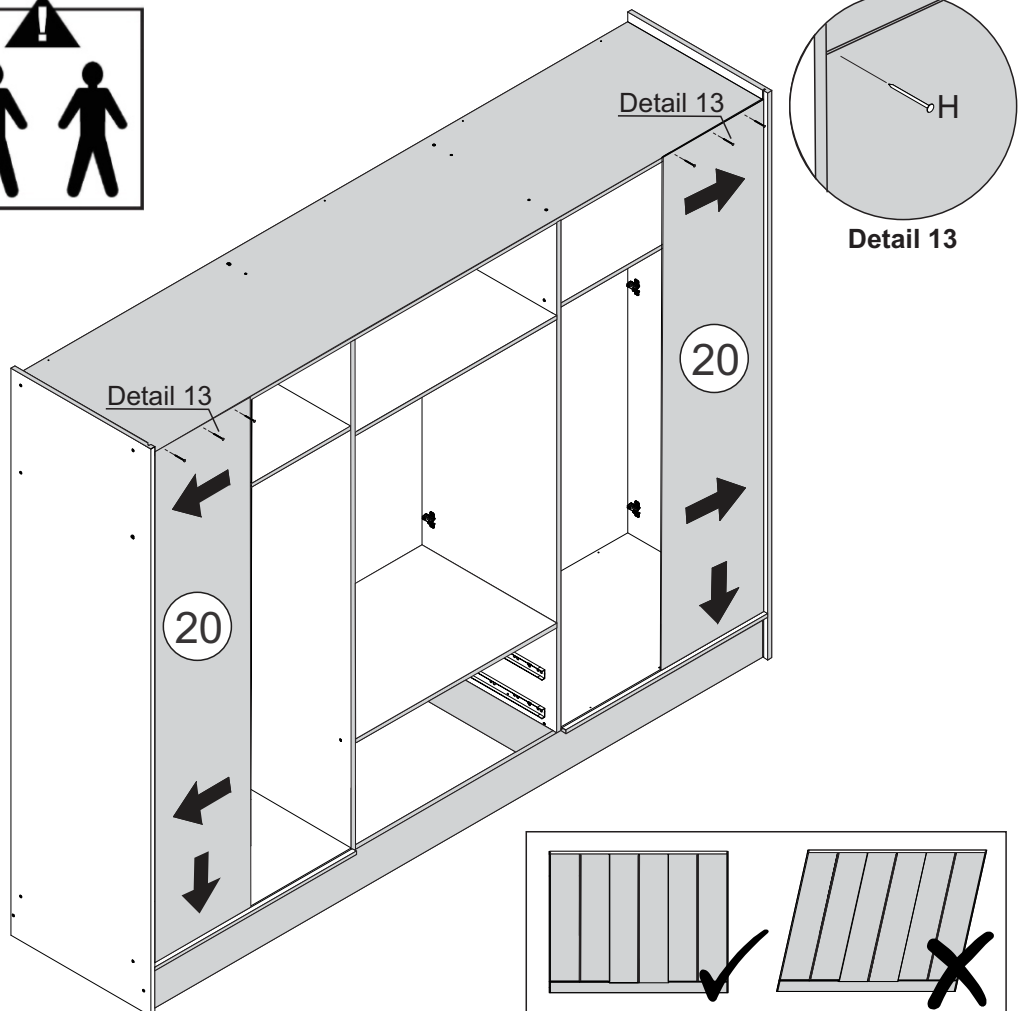
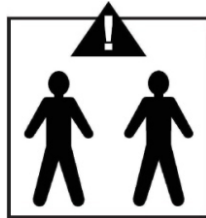
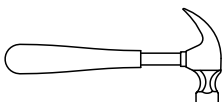
20 - BACK PANEL x2



HARDWARE REQUIRED

H  06
10 x 10

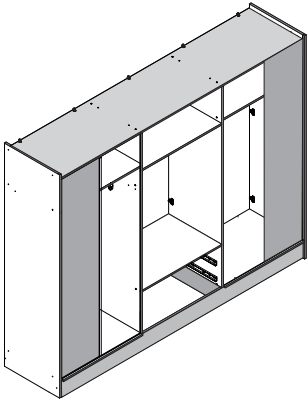
TOOLS REQUIRED




STEP 23


PARTS REQUIRED

20 - BACK PANEL x2

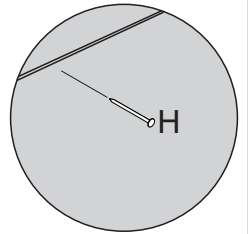
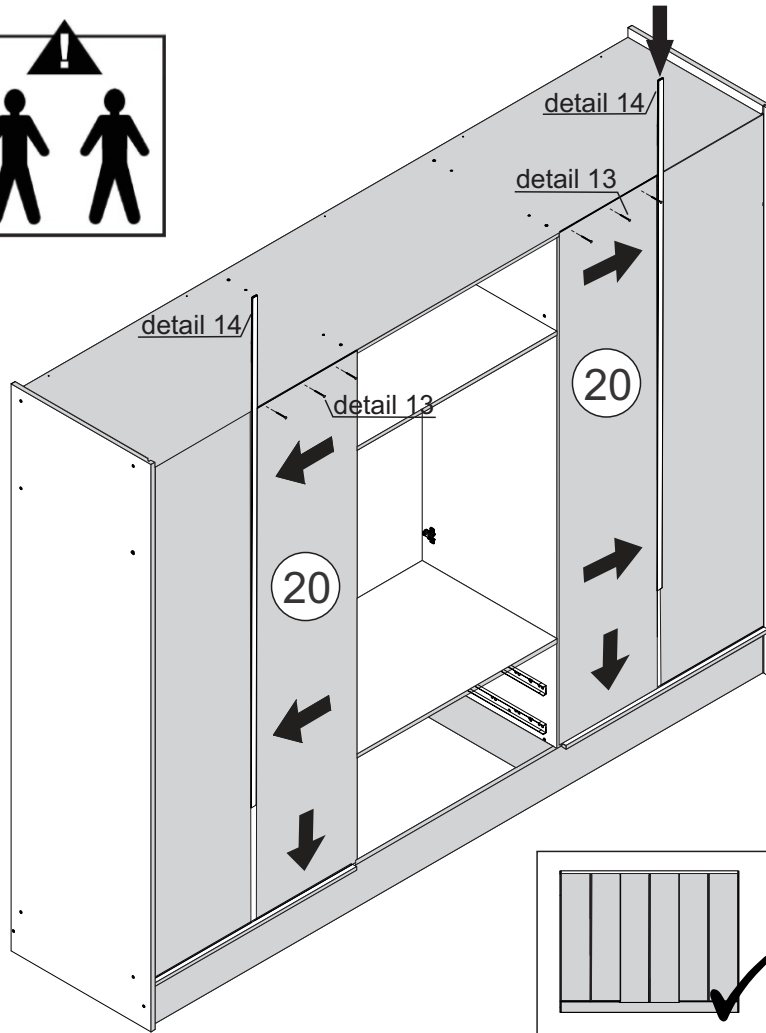
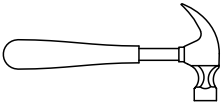


HARDWARE REQUIRED

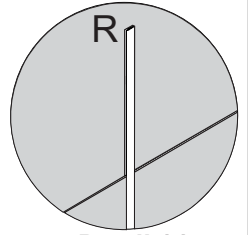
H  06
10 x 10

R  02

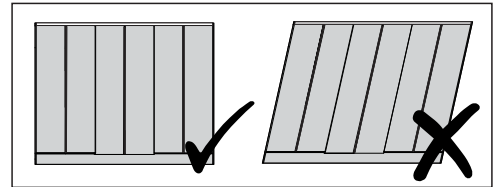
TOOLS REQUIRED



Detail 13



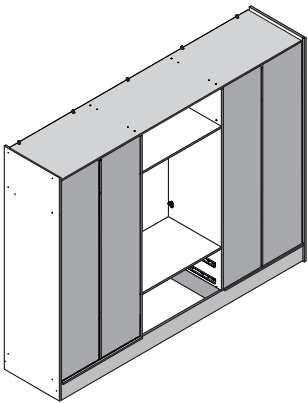
Detail 14




STEP 24


PARTS REQUIRED

22 - CENTRE BACK PANEL x2



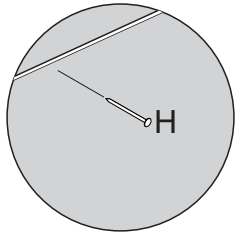
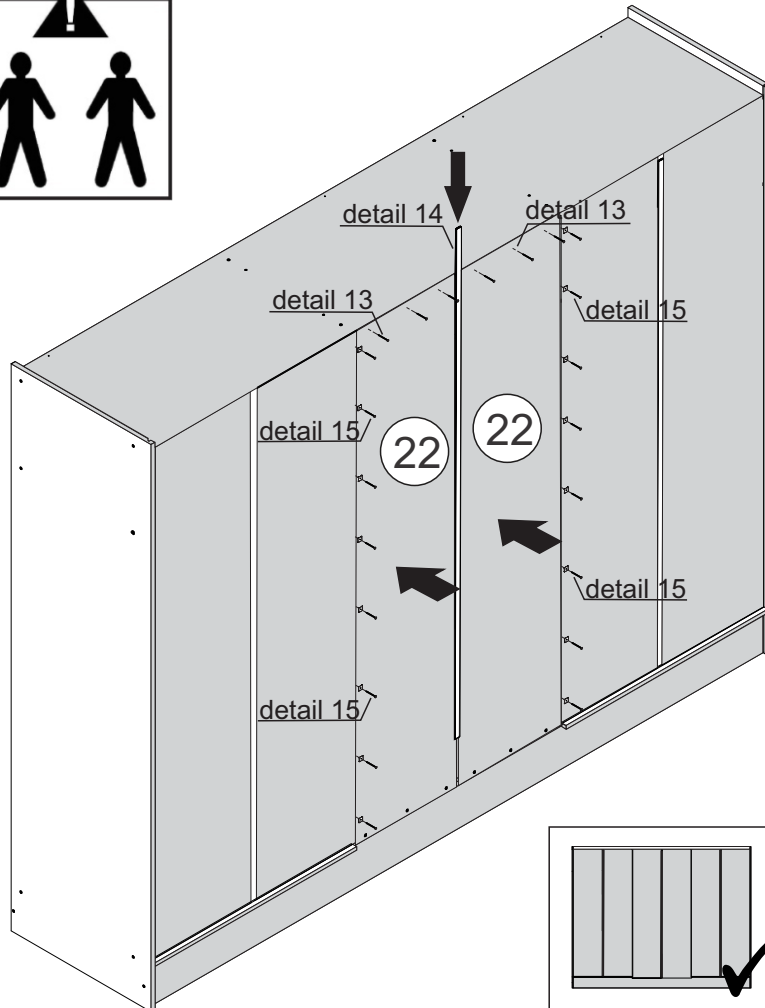
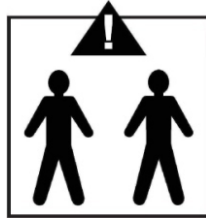
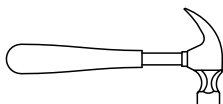
HARDWARE REQUIRED

H  22
10 x 10

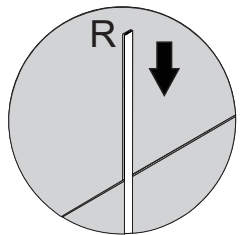
R  01

A1  16

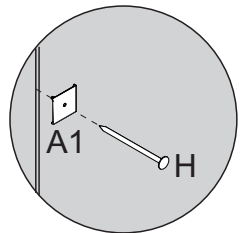
TOOLS REQUIRED



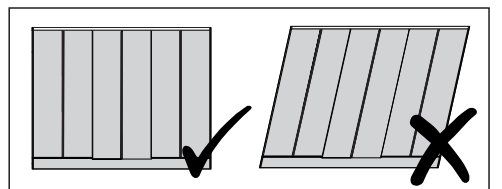
Detail 13



Detail 14

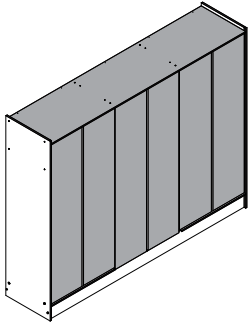


Detail 15



STEP 25

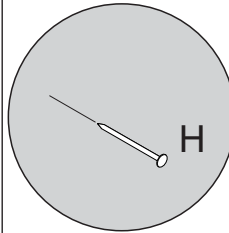
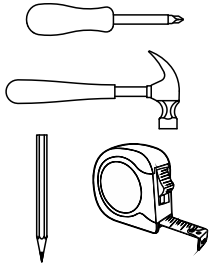
PARTS REQUIRED



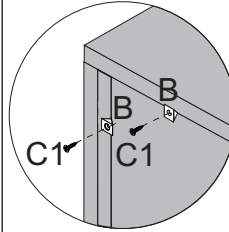
HARDWARE REQUIRED

B		12
C1	 Ø3.5 x 16mm	12
H	 10 x 10	06

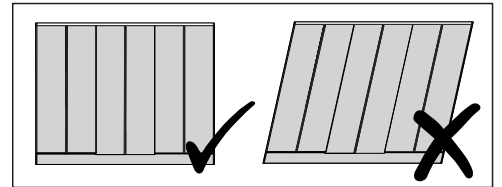
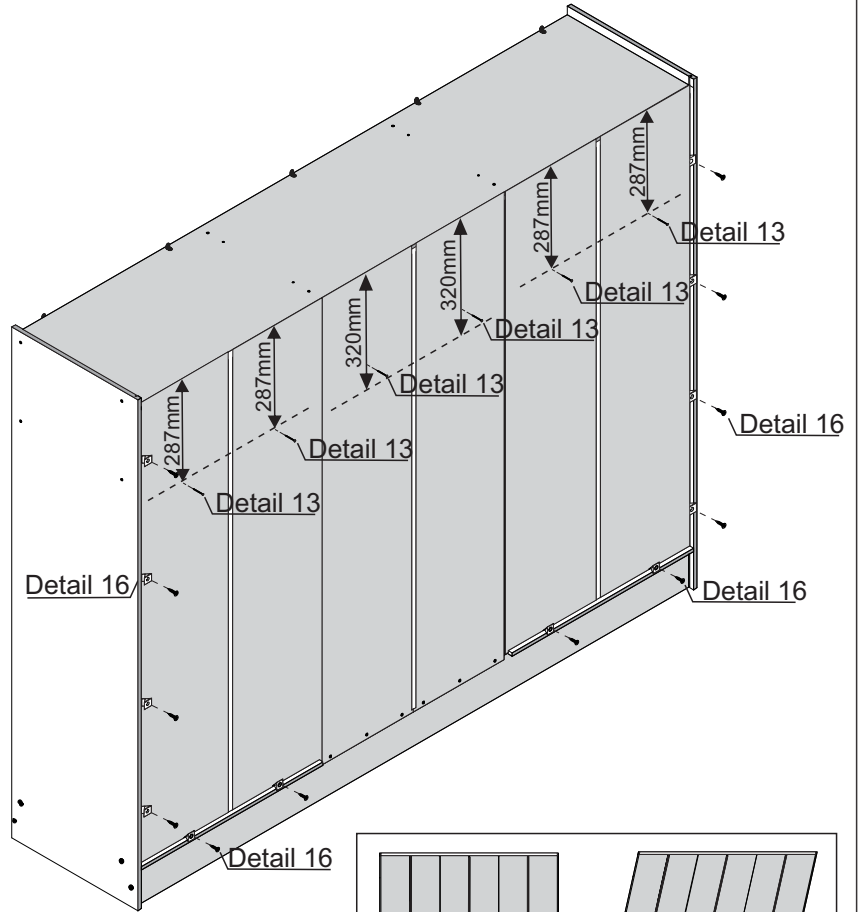
TOOLS REQUIRED



Detail 13



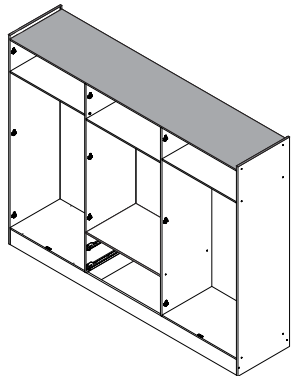
Detail 16



STEP 26

PARTS REQUIRED

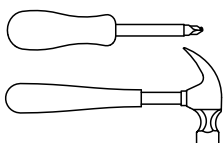
2 - FRAME	x1
-----------	----



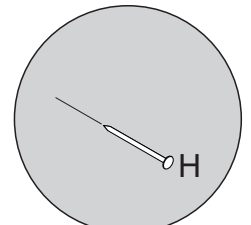
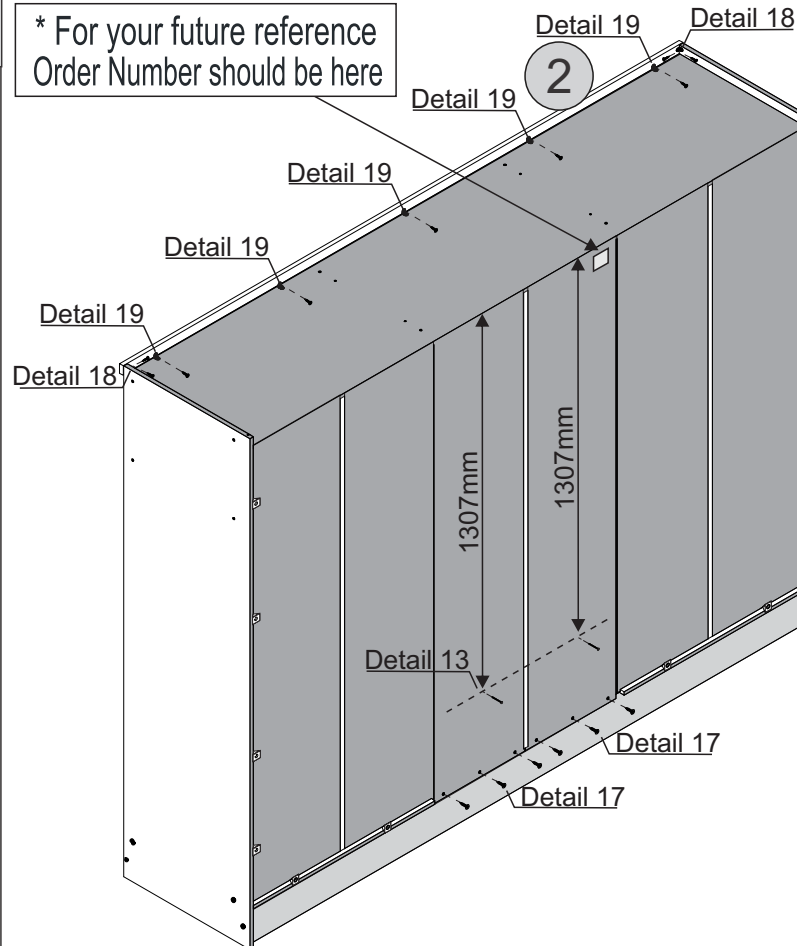
HARDWARE REQUIRED

H	 10 x 10	02
J		02
Z	 Ø4.0 x 12mm	09
B1	 Ø3.5 x 14mm	06

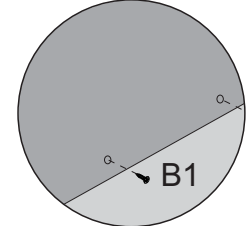
TOOLS REQUIRED



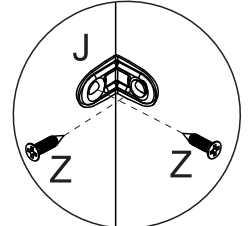
* For your future reference
Order Number should be here



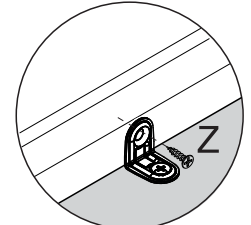
Detail 13



Detail 17



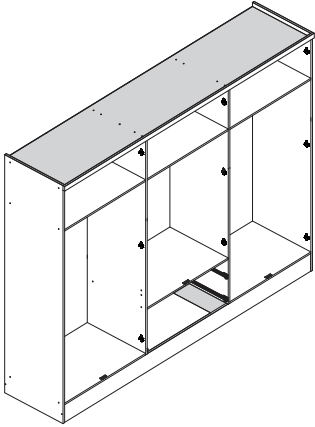
Detail 18



Detail 19

STEP 27

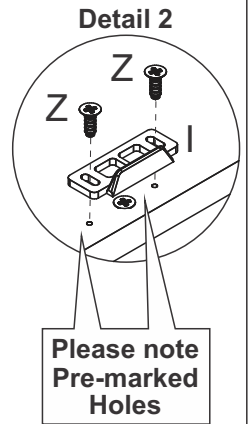
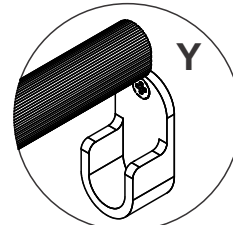
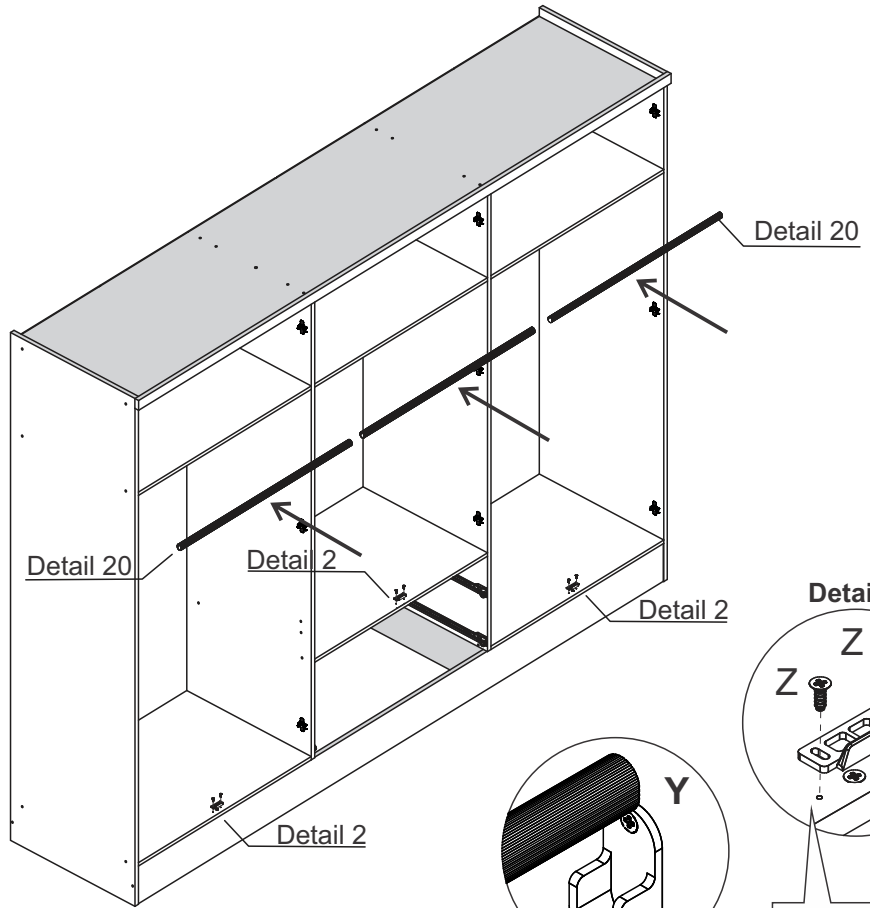
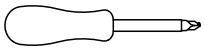
PARTS REQUIRED



HARDWARE REQUIRED

I		03
Y		03
Z		06

TOOLS REQUIRED



Detail 20

Please note
Pre-marked
Holes

STEP 28

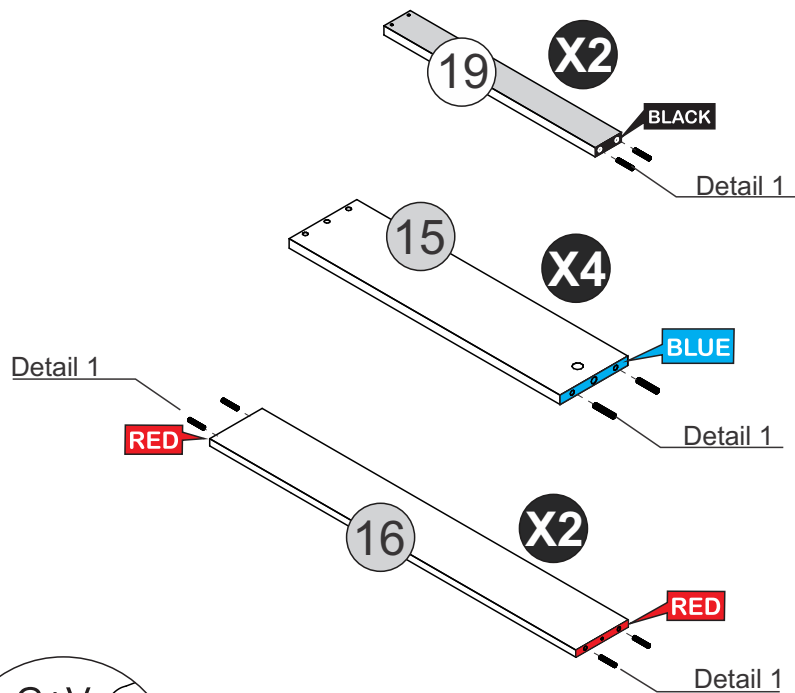
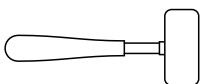
PARTS REQUIRED

15 - DRAWER SIDE - BLUE	x4
16 - DRAWER BACK PANEL - RED	x2
19 - DRAWER BOTTOM SUPPORTBAR - BLACK	x2

HARDWARE REQUIRED

G		20
V		01

TOOLS REQUIRED



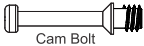
Detail 1

STEP 29

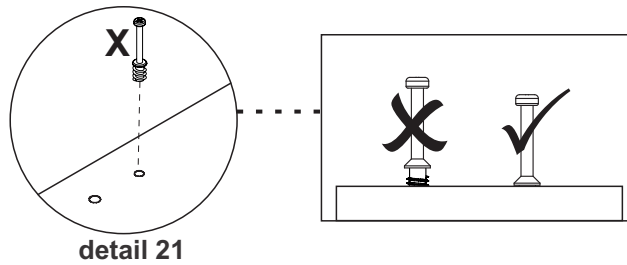
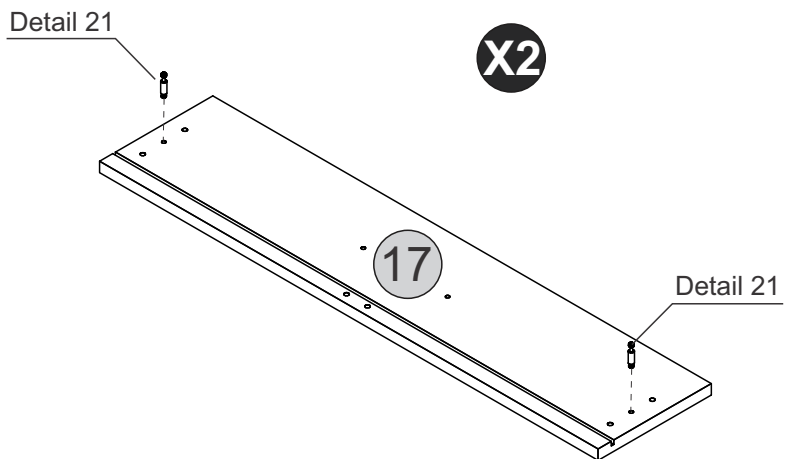
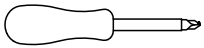
PARTS REQUIRED

17 - DRAWER FRONT x2

HARDWARE REQUIRED

X  04
Cam Bolt

TOOLS REQUIRED




STEP 30

PARTS REQUIRED

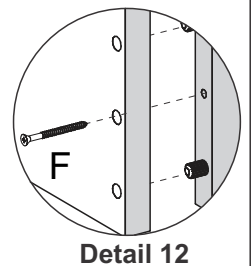
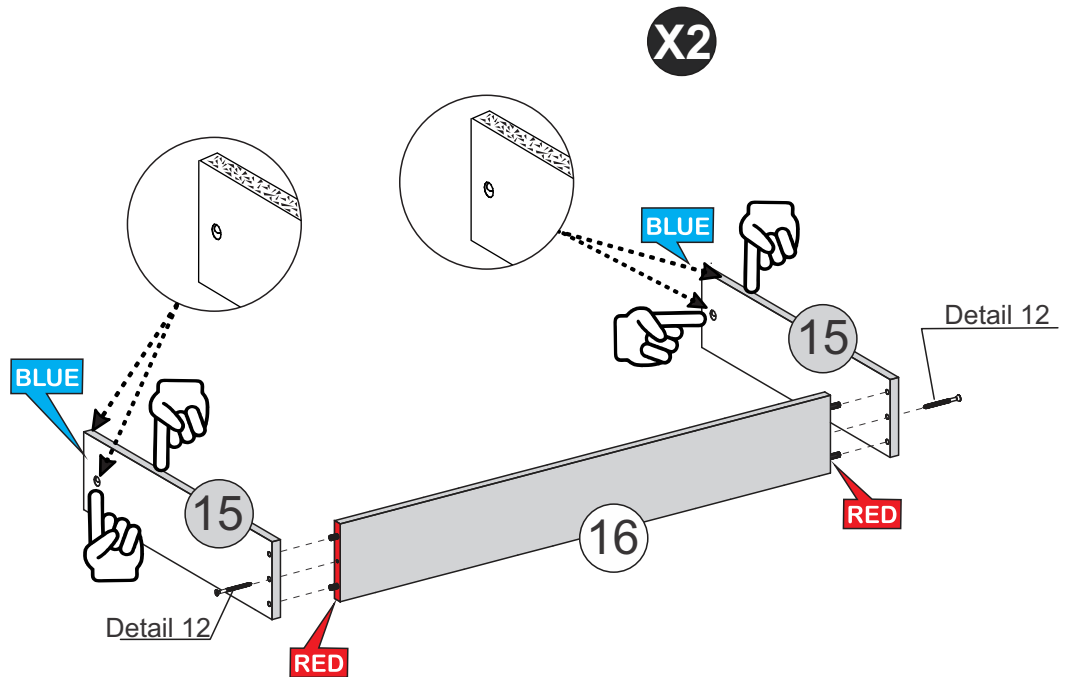
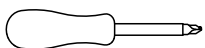
15 - DRAWER SIDE - BLUE x4

16 - DRAWER BACK PANEL - RED x2

HARDWARE REQUIRED

F  04
Ø4,0 x 50mm

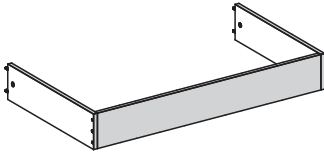
TOOLS REQUIRED



STEP 31

PARTS REQUIRED

17 - DRAWER FRONT x2



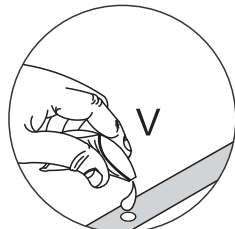
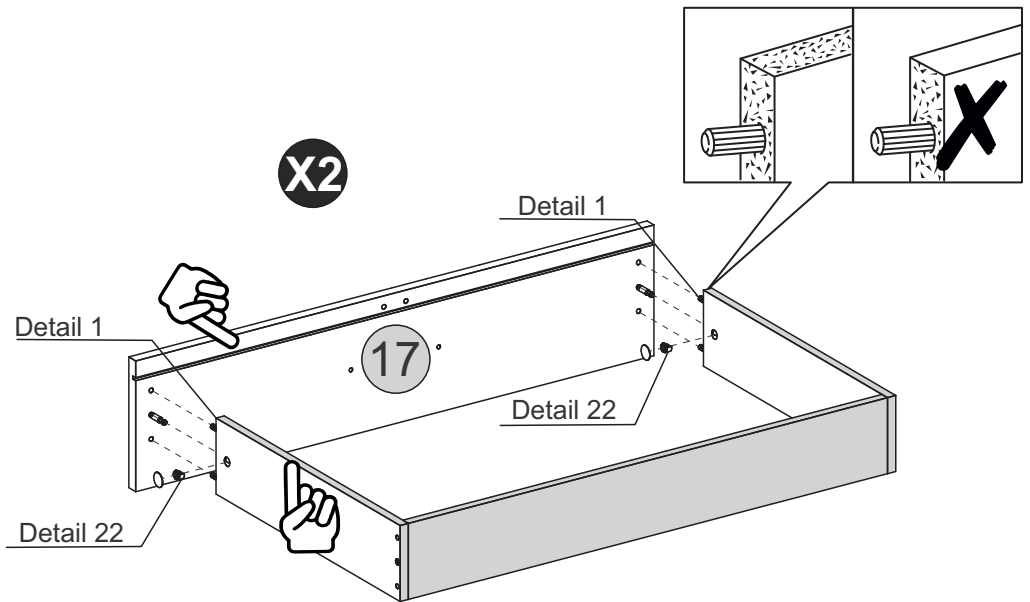
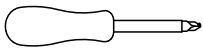
HARDWARE REQUIRED

U  08

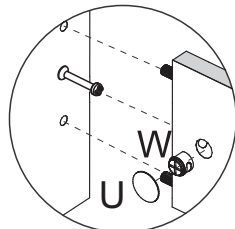
V  01

W  04

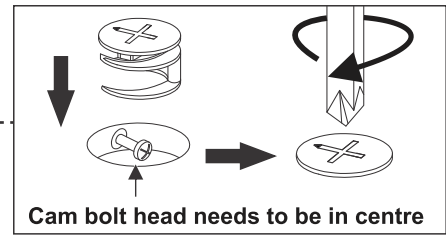
TOOLS REQUIRED



Detail 1



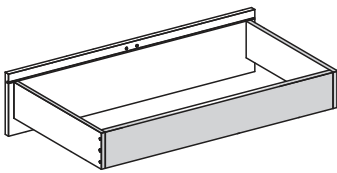
Detail 22




STEP 32


PARTS REQUIRED

18 - DRAWER BOTTOM x2

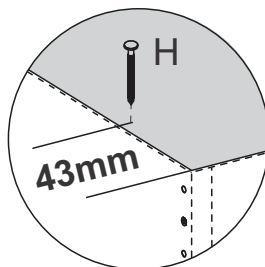
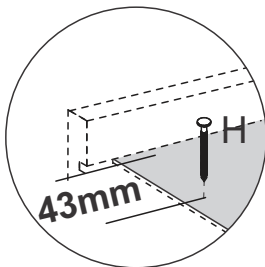
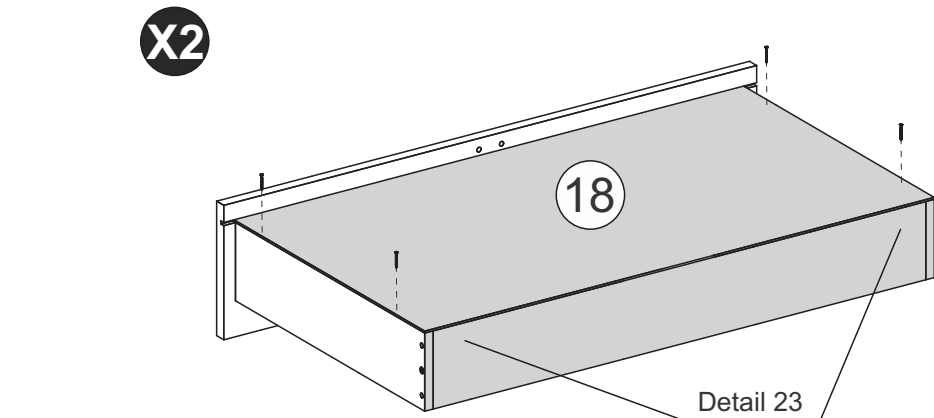
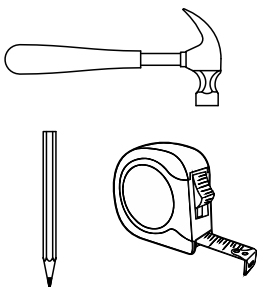


HARDWARE REQUIRED

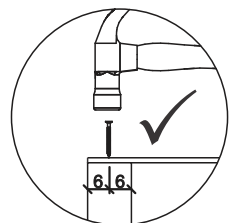
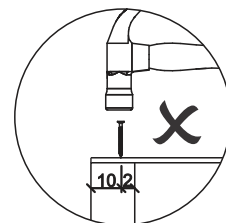
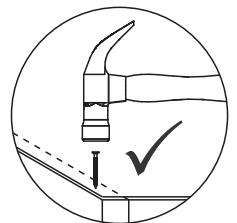
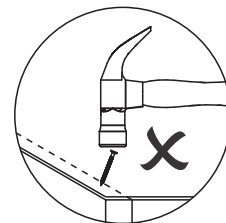
H  08

V  01

TOOLS REQUIRED



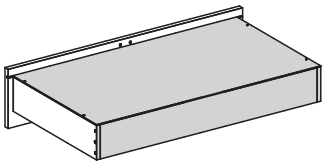
Detail 23




STEP 33


PARTS REQUIRED

19 - DRAWER BOTTOM SUPPORTBAR - BLACK X2

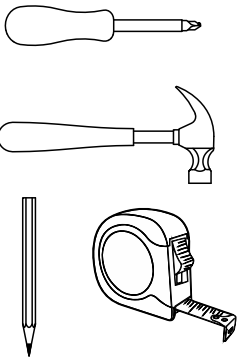


HARDWARE REQUIRED

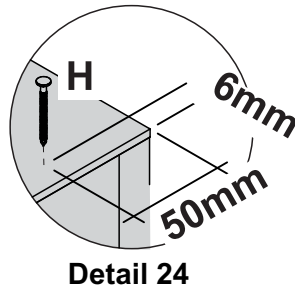
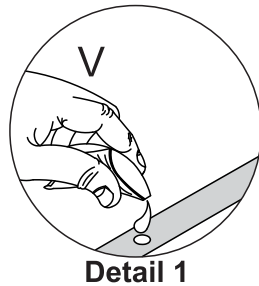
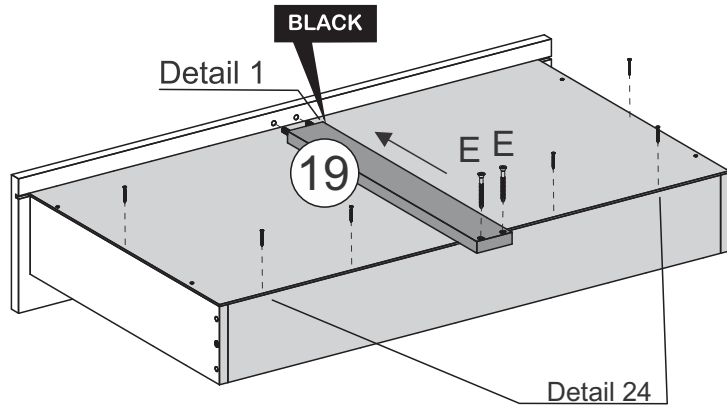
E  04
Ø3,5 x 40mm

H  12
10 x 10

TOOLS REQUIRED

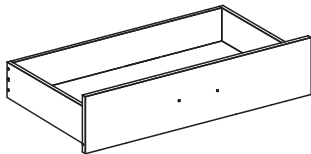


X2




STEP 34

PARTS REQUIRED




HARDWARE REQUIRED

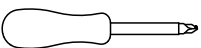
C  08
Ø4,0 x 14mm

D  04
Ø4,0 x 20mm

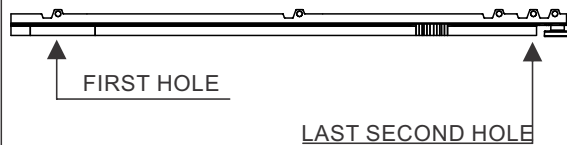
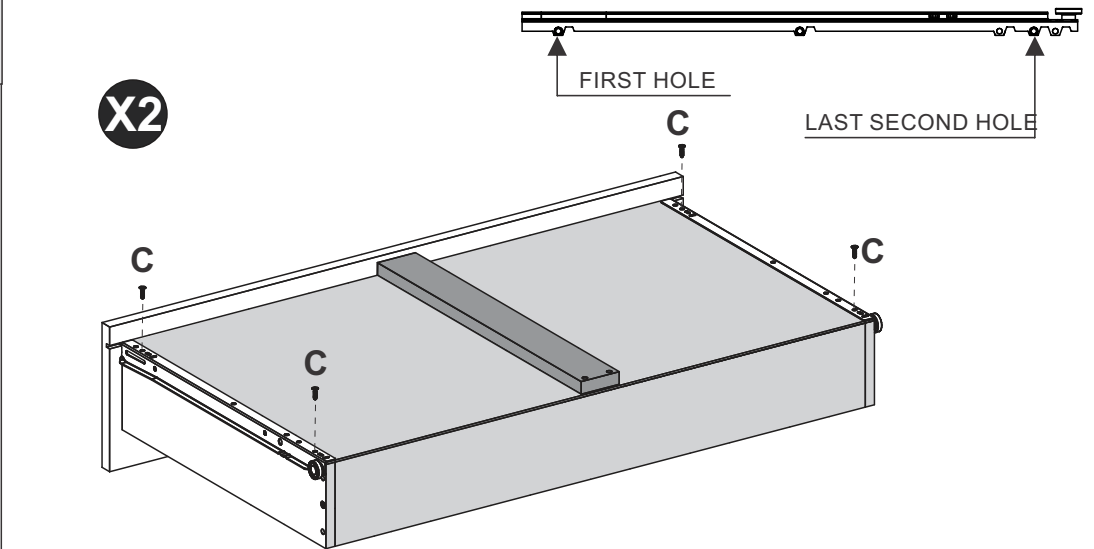
Q  04

T  02

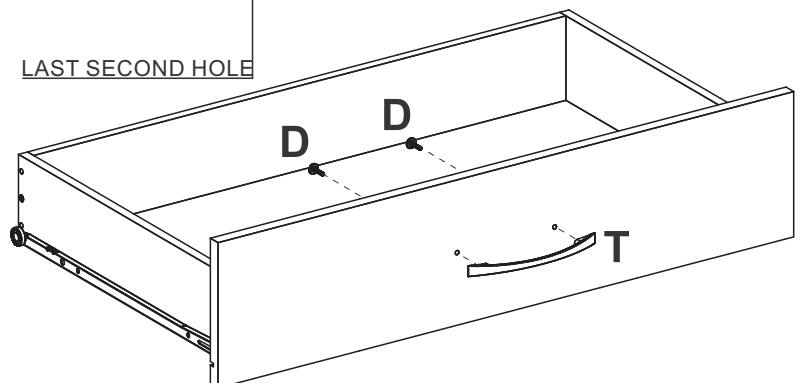
TOOLS REQUIRED



X2



X2





STEP 35

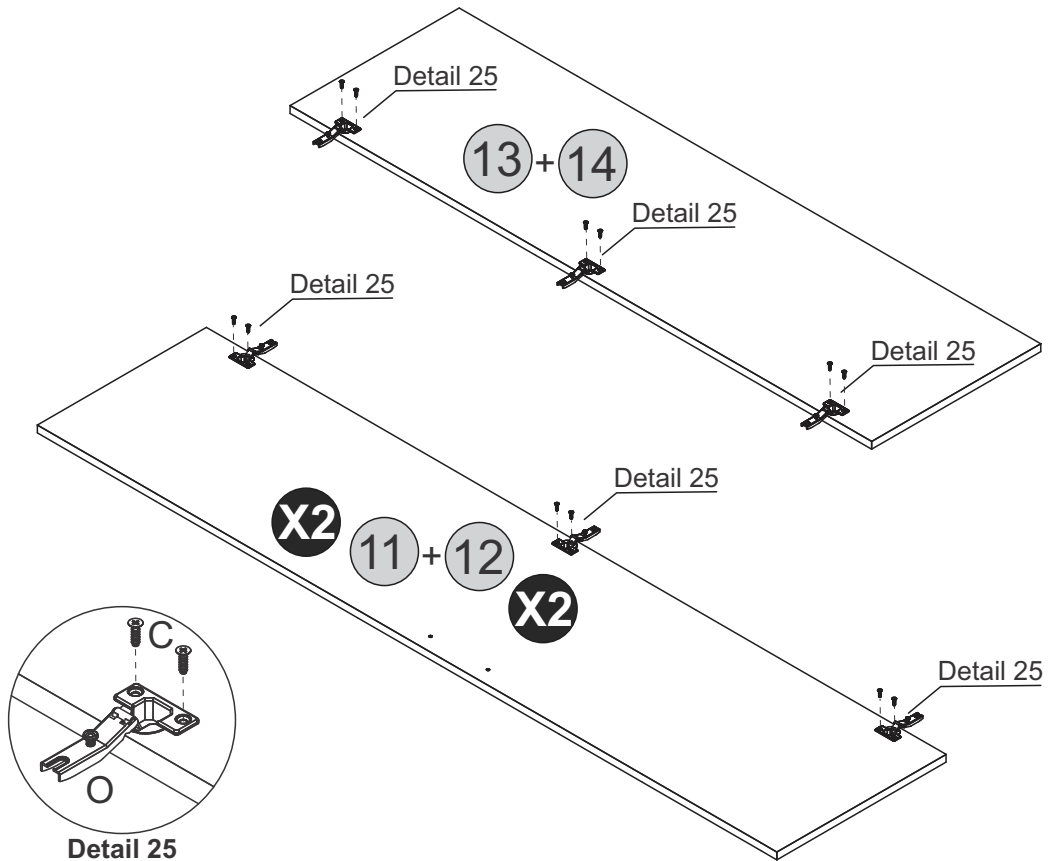
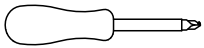
PARTS REQUIRED

11 - RIGHT LARGE DOOR	x2
12 - LEFT LARGE DOOR	x2
13 - RIGHT SMALL DOOR	x1
14 - LEFT SMALL DOOR	x1

HARDWARE REQUIRED

C	 36 Ø4,0 x 14mm
O	 18

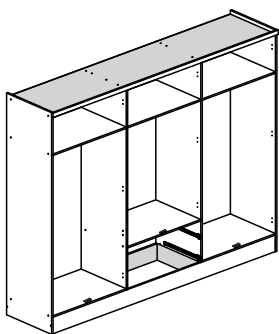
TOOLS REQUIRED




STEP 36

PARTS REQUIRED

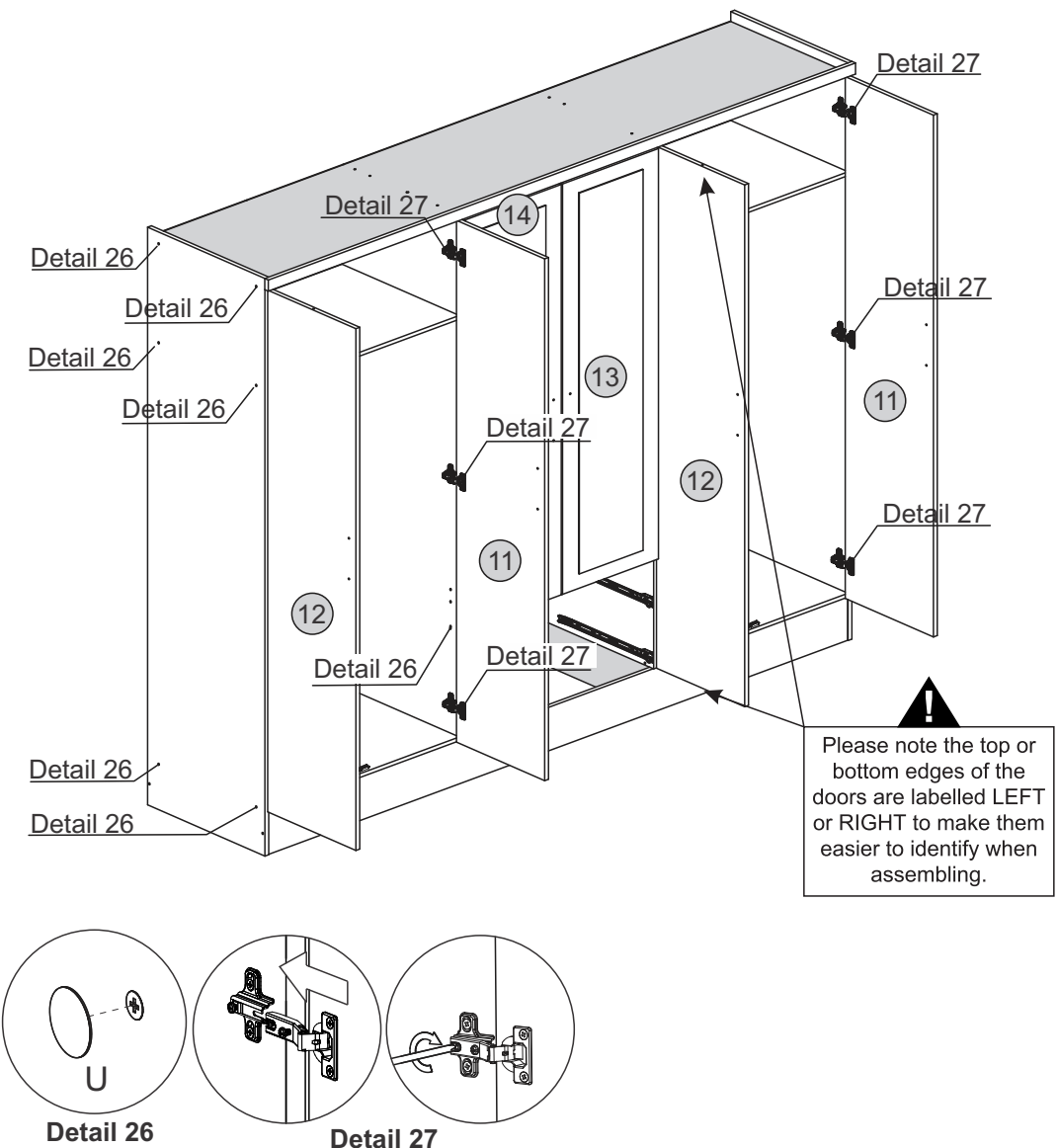
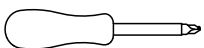
11 - RIGHT LARGE DOOR	x2
12 - LEFT LARGE DOOR	x2
13 - RIGHT SMALL DOOR	x1
14 - LEFT SMALL DOOR	x1



HARDWARE REQUIRED

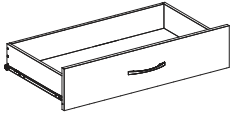
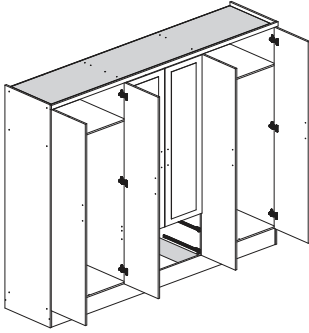
U	 30
---	--

TOOLS REQUIRED

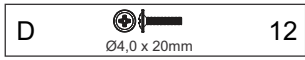


STEP 37

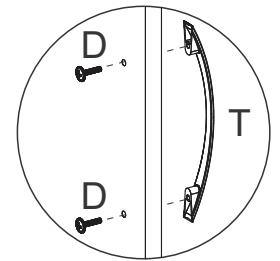
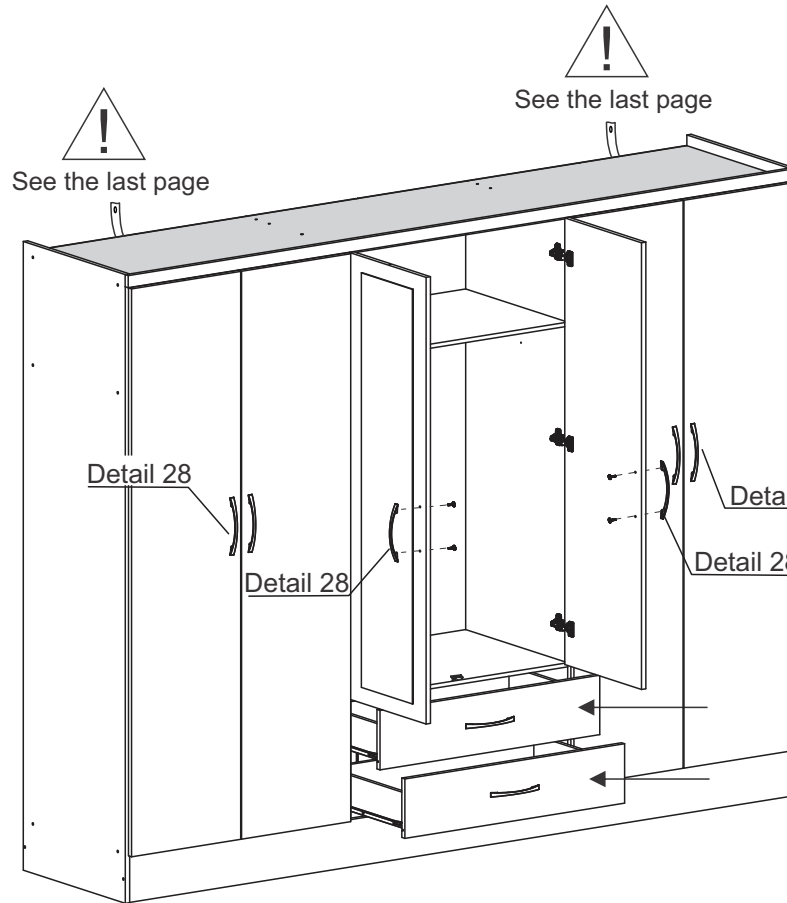
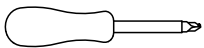
PARTS REQUIRED



HARDWARE REQUIRED



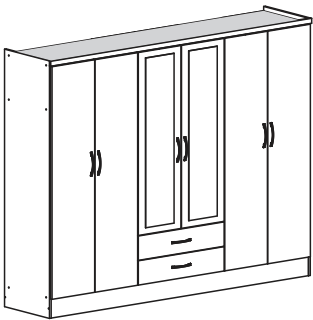
TOOLS REQUIRED



Detail 28

STEP 38

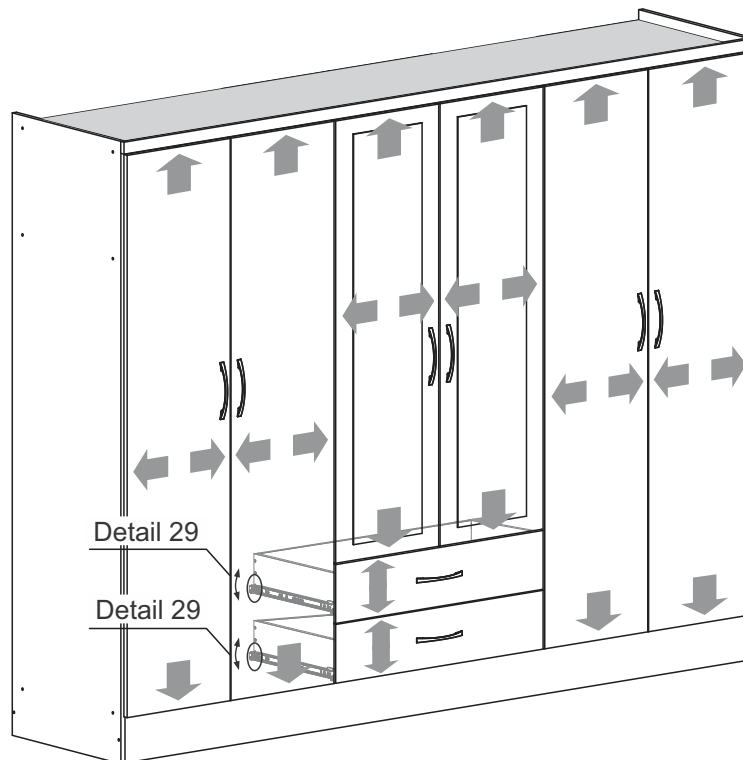
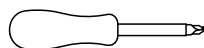
PARTS REQUIRED



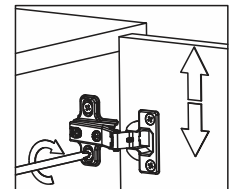
HARDWARE REQUIRED



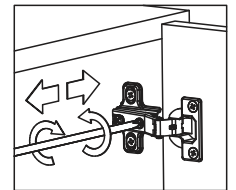
TOOLS REQUIRED



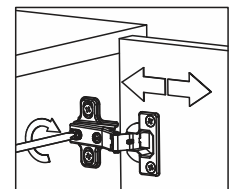
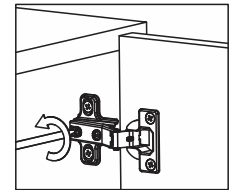
Height Adjustment



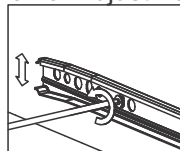
Internal Adjustment



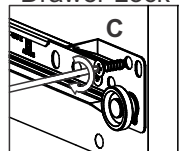
Depth Adjustment



Drawer Adjustment



Drawer Lock



Detail 29

WARNING

Serious or fatal injuries can occur from furniture tipping over. To prevent the furniture from tipping over we recommend that it is permanently fixed to the wall.

Wall fixings are not supplied with this product as different wall materials require different types of fixing devices.

Please make sure you use fixings suitable for the walls in your home.

