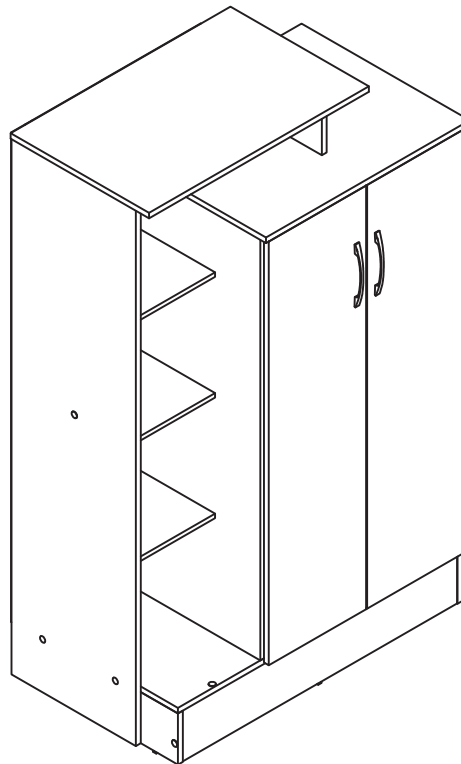


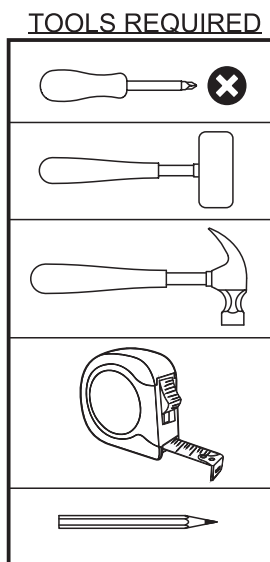
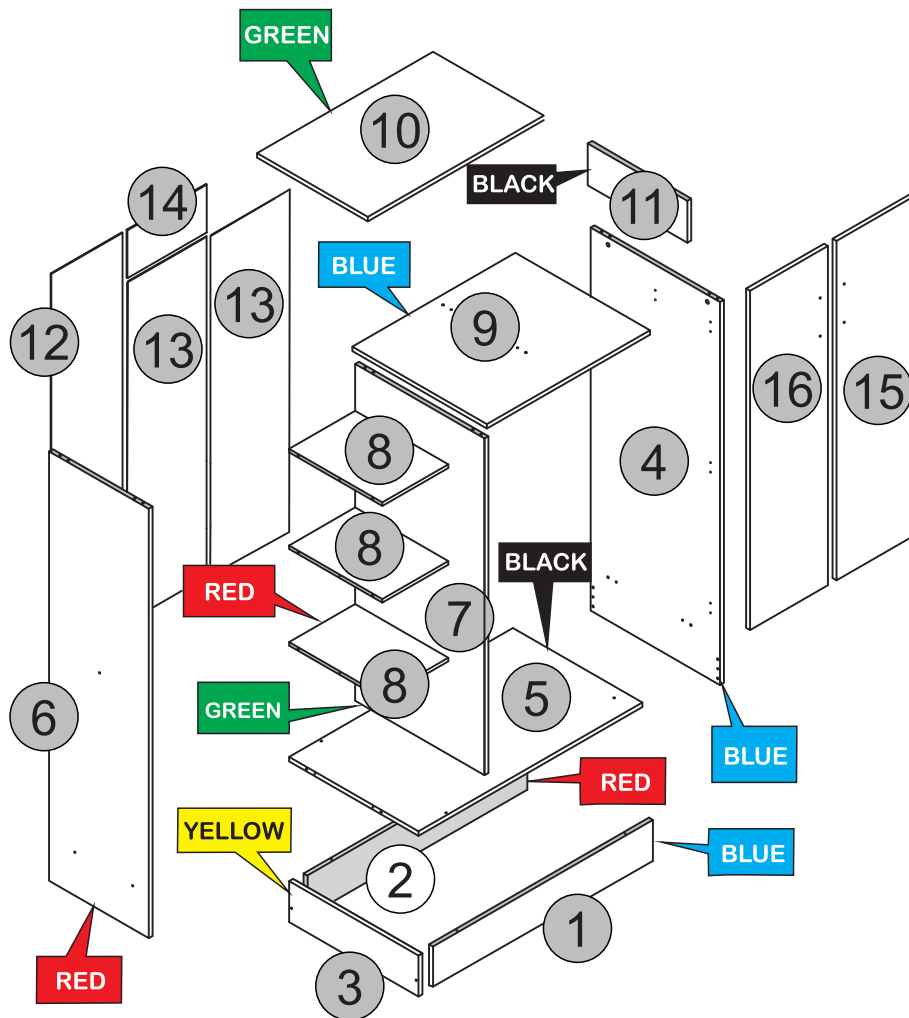
NEVADA PETITE OPEN SHELF WARDROBE ASSEMBLY INSTRUCTIONS 3D EFFECT GREY



IMPORTANT FOR DOMESTIC USE ONLY PLEASE READ BEFORE YOU CONTINUE FURTHER CARE AND MAINTENANCE

After unpacking this product please keep the original packaging in case it needs to be returned for any reason.

- Please ensure all fittings and parts are present before commencing with assembly.
- Never drag or push products as this could cause damage to the joints making it inferior.
- We strongly recommend that you keep children away from your work area.
- We recommend that you lay a blanket or sheet on the floor to avoid damage to both your floor and the product.
- Assemble this product as close to its final position as possible.
- Do not place this product next to a radiator or in direct sunlight.
- Do not drag or push items across your high gloss furniture as this may cause the surface to scratch
- Wood is a natural product and may expand if subjected to damp and may shrink or crack if subjected to heat. Therefore it is recommended that room temperature is maintained, with no sudden temperature fluctuations.
- Make sure any spillage is wiped off immediately.
- Do not place hot or chilled items directly on to the surface, use a place mat or marking will occur.
- For general cleaning use a soft cotton or micro fibre cloth, and do not use detergents of any kind.
- From time to time it may be necessary to tighten fittings, regular inspections should be carried out.
- Do not place on a wet or damp floor as staining may occur to your floor.


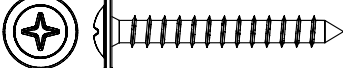
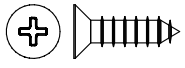
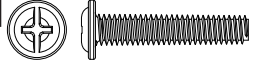
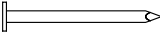


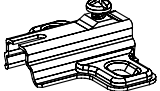
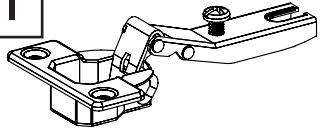
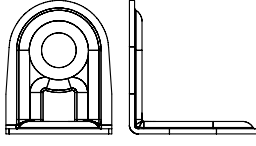
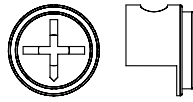
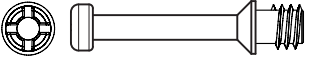
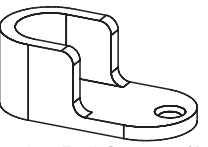

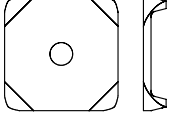
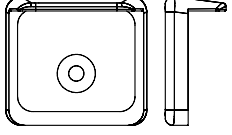

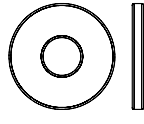
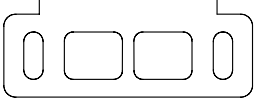
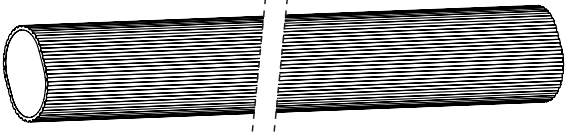
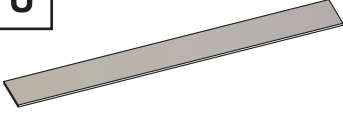
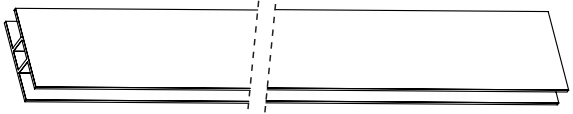



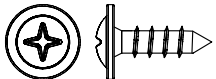
PARTS LIST

Please Note:
The below parts have all been stamped with the part number/color to help identify them during assembly.

Part Numer/Color	Part Code	Part Description	Quantity	Carton
1	S100-101-156-SP1-01	Front Baseboard - BLUE	1	1/2
2	S100-101-156-SP1-02	Back Baseboard - RED	1	1/2
3	S100-101-156-SP1-03	Left Baseboard - YELLOW	1	1/2
4	S100-101-156-SP1-04	Right Side Panel - BLUE	1	1/2
5	S100-101-156-SP1-05	Base Panel - BLACK	1	1/2
6	S100-101-156-SP1-06	Left Side - RED	1	2/2
7	S100-101-156-SP1-07	Division Panel - GREEN	1	1/2
8	S100-101-156-SP1-08	Shelf - RED	3	2/2
9	S100-101-156-SP1-09	Centre Top - BLUE	1	1/2
10	S100-101-156-SP1-10	Top Panel - GREEN	1	1/2
11	S100-101-156-SP1-11	Small Division Panel - BLACK	1	1/2
12	S100-101-156-SP1-12	Large Back Panel	1	2/2
13	S100-101-156-SP1-13	Medium Back Panel	2	2/2
14	S100-101-156-SP1-14	Small Back Panel	1	1/2
15	S100-101-156-SP1-15	Right Door	1	2/2
16	S100-101-156-SP1-16	Left Door	1	2/2

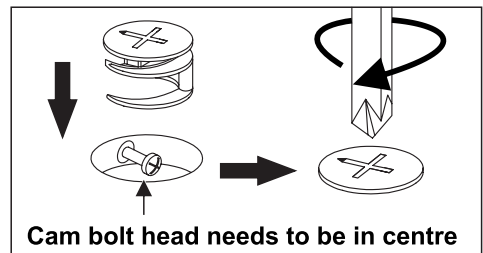
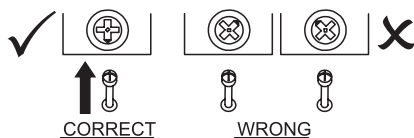
FITTINGS LIST

A  Flat Head Screw Ø4,0 x 45mm (18x) 2/+	B  Flan Head Screw Ø3,5 x 30mm (2x) 1/+	C  Flat Head Screw Ø4,0 x 14mm (32x) 2/+	
D  Flan Head Screw MQ M4 x 20mm (4x) 1/+	E  Nail 10 x 10 (65x) 5/+	F  Handle (2x)	G  Glue (2x)
H  Hinge Plate (6x)	I  Hinge (6x)	J  "L" Metallic Support (2x) 1/+	K  Cam Nut (6x) 1/+
L  Cam Bolt (6x) 1/+	M  Hanging Rail Support (2x)	N  Dowel Ø6,0 x 30mm (40x) 2/+	O  Back Panel Bracket (10x) 2/+
P  Plastic Foot (6x) 1/+	Q  Hole Plugs (19x) 2/+	R  Washer (4x) 1/+	S  Door Support (1x)
T  Haging Rail (1x)		U  Strap 200mm (2x)	
V  Back Panel Strip 1128mm (1x)		W  Back Panel Strip 138mm (1x)	

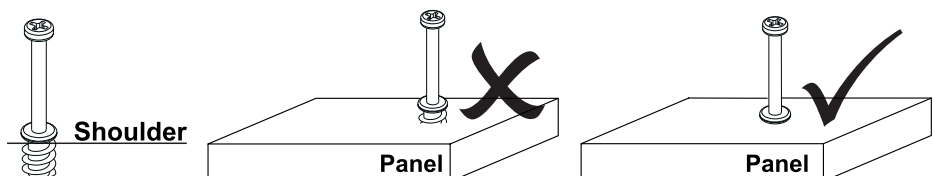
X  Flan Head Screw Ø3,5 x 12mm (2x) 1/+

TIPS FOR FITTINGS CAM-LOCKS

WHEN FITTING CAM NUT, ENSURE STARTING POSITION IS CORRECT BEFORE YOU INSERT CONNECTING CAM BOLT TURN CLOCKWISE UNTIL SECURE



CAMBOLT
 Tighten until shoulder is flush with panel. Do not overtighten or undertighten (see example beside)




STEP 1

PARTS REQUIRED

7 - DIVISION PANEL (GREEN) x1

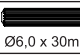
HARDWARE REQUIRED

C  08
Ø4,0 x 14mm

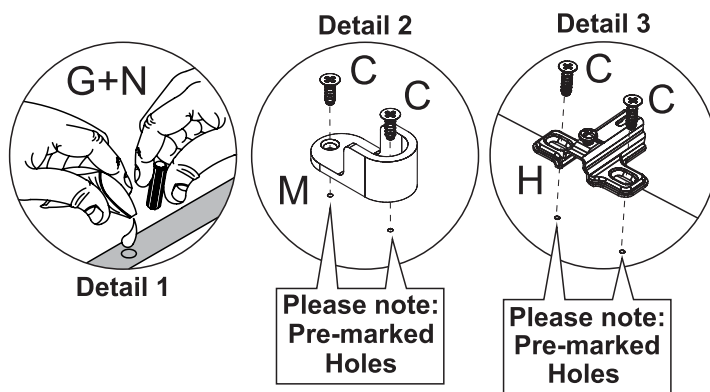
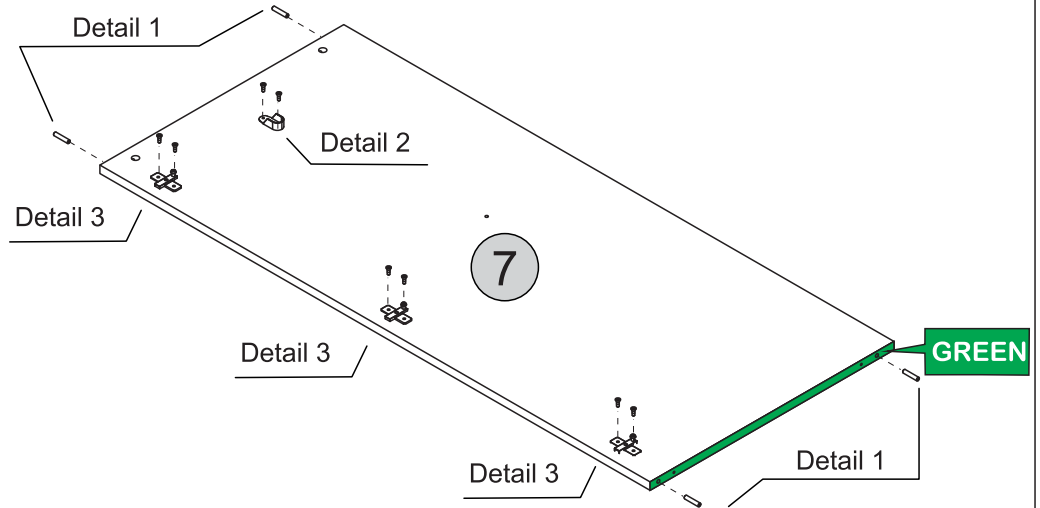
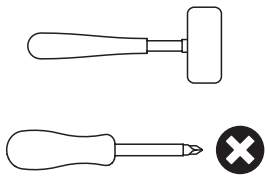
G  01

H  03

M  01

N  04
Ø6,0 x 30mm

TOOLS REQUIRED



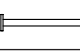
STEP 2

PARTS REQUIRED

4 - RIGHT SIDE PANEL (BLUE) x1

HARDWARE REQUIRED

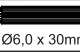
C  08
Ø4,0 x 14mm

E  02

G  01

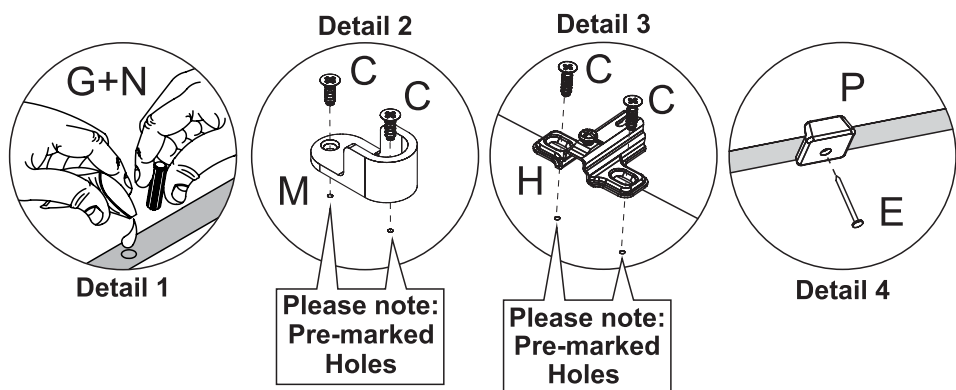
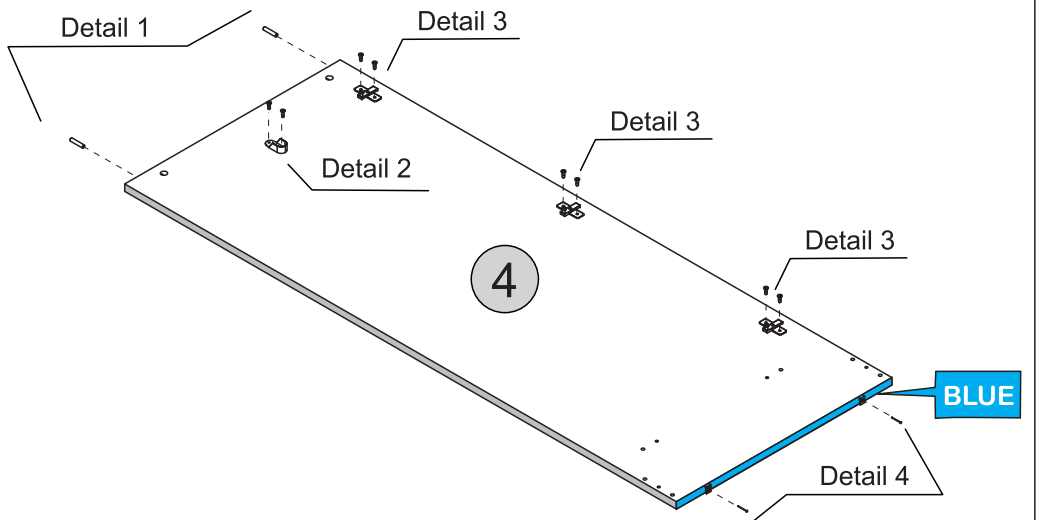
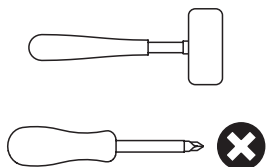
H  03

M  01

N  02
Ø6,0 x 30mm

P  02

TOOLS REQUIRED



STEP 3

PARTS REQUIRED

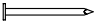
1 - FRONT BASEBOARD (BLUE) x1


2 - BACK BASEBOARD (RED) x1


3 - LEFT BASEBOARD (YELLOW) x1

6 - LEFT SIDE PANEL (RED) x1

HARDWARE REQUIRED

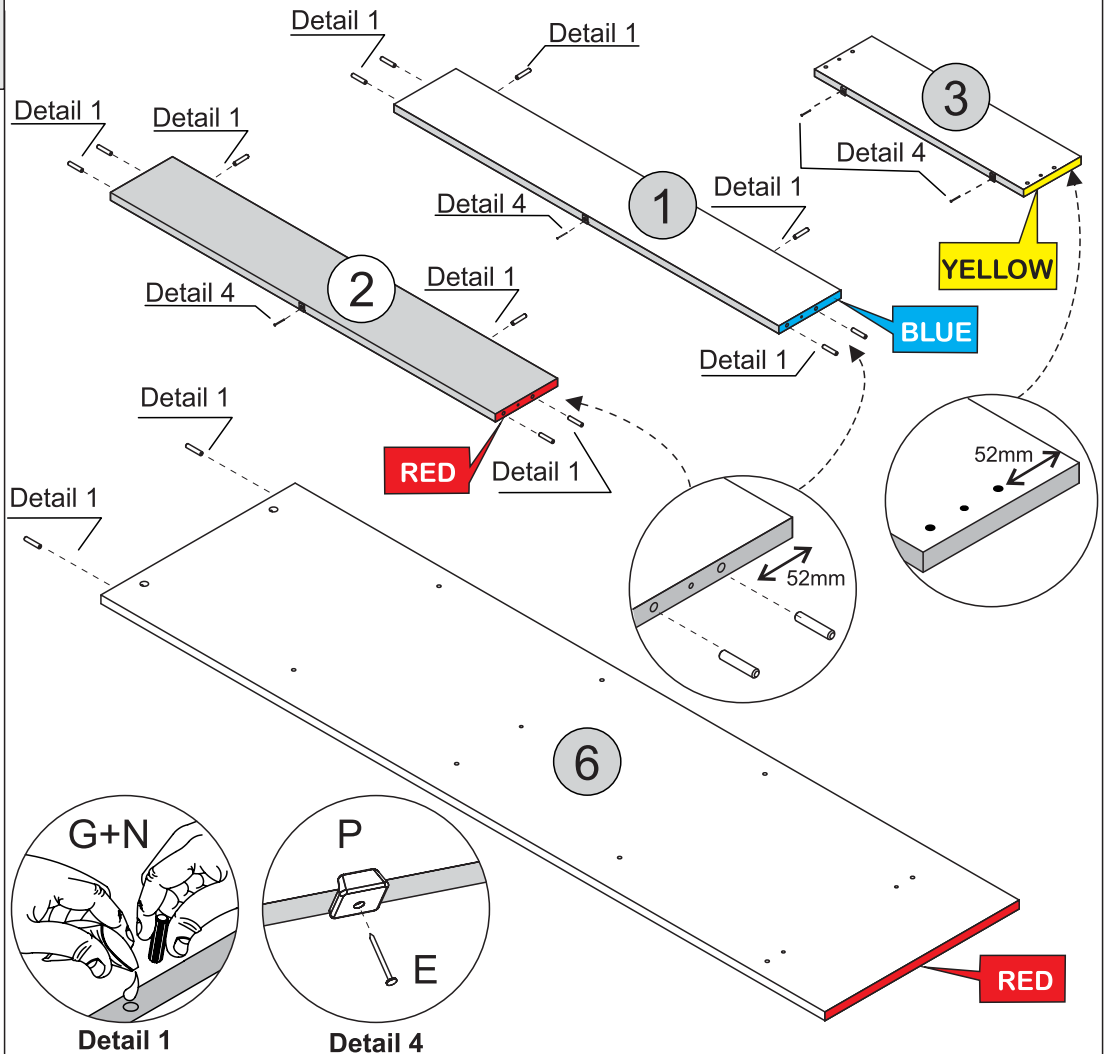
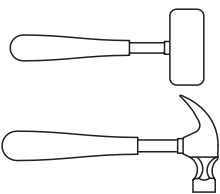
E  04

G  01

N  Ø6,0 x 30mm 14

P  04

TOOLS REQUIRED



STEP 4


PARTS REQUIRED

5 - BASE PANEL (BLACK) x1

8 - SHELF (RED) x3


11 - SMALL DIVISION PANEL (BLACK) x1

HARDWARE REQUIRED

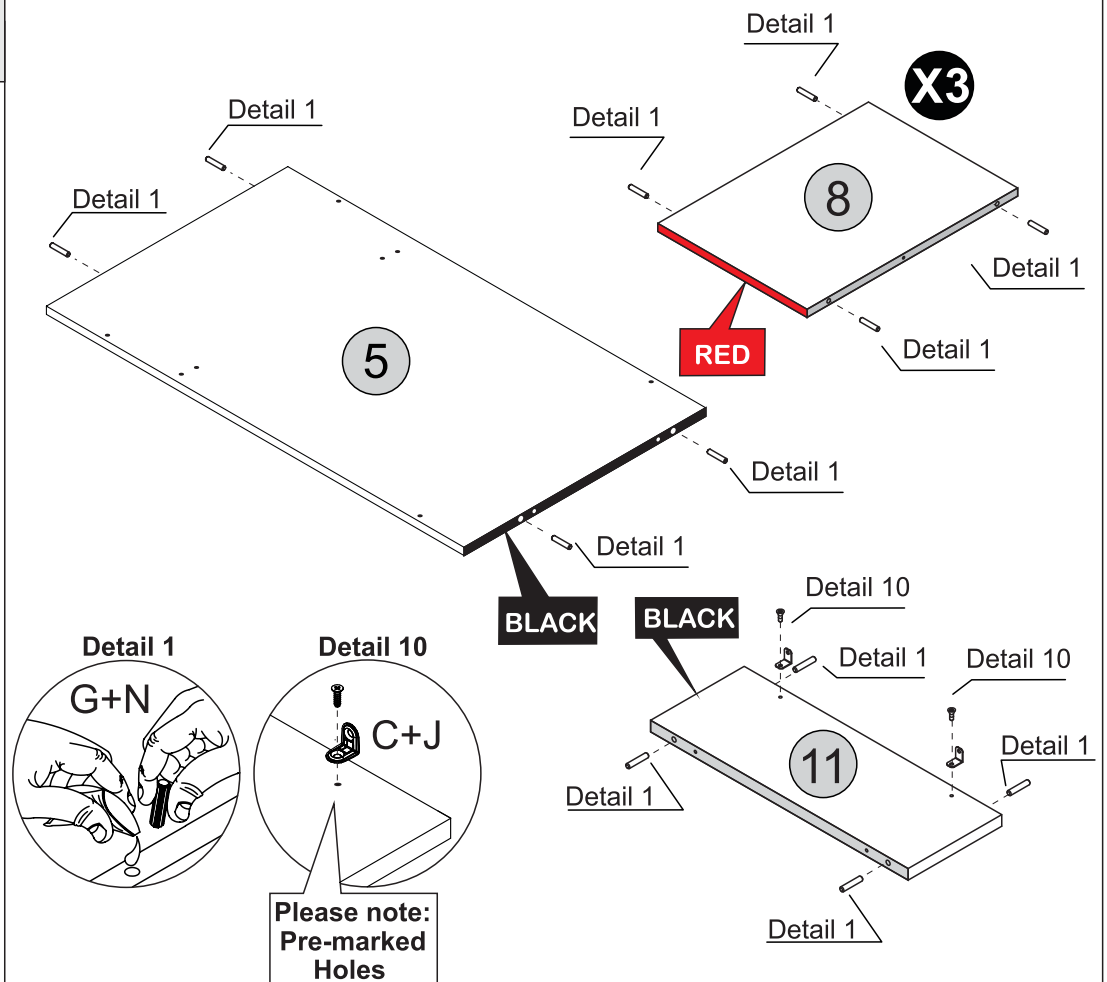
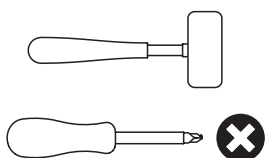
C  Ø4,0 x 14mm 02

G  01

J  02

N  Ø6,0 x 30mm 20

TOOLS REQUIRED



STEP 5

PARTS REQUIRED

9 - CENTRE TOP (BLUE) x1

10 - TOP PANEL (GREEN) x1

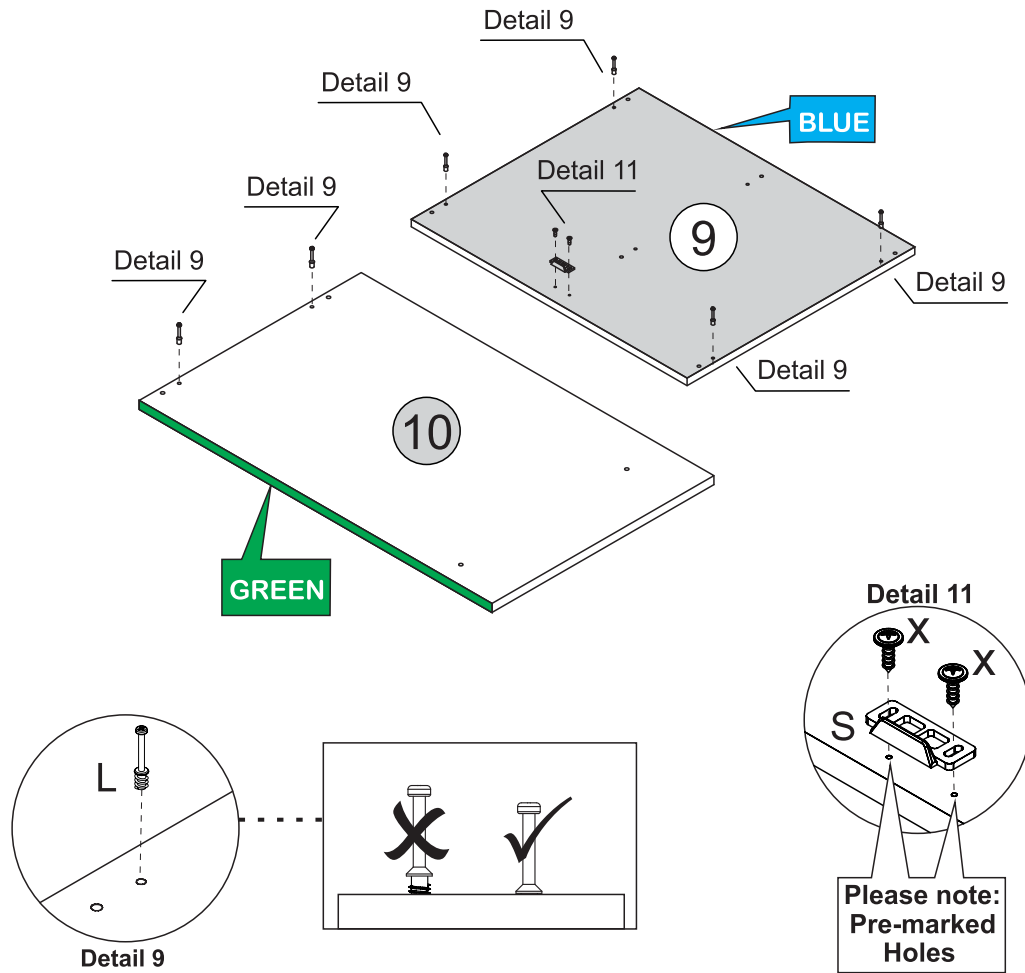
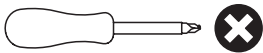
HARDWARE REQUIRED

X  02
Ø3.5 x 12mm

L  06

S  01

TOOLS REQUIRED



STEP 6

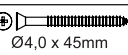
PARTS REQUIRED


1 - FRONT BASEBOARD (BLUE) x1

2 - BACK BASEBOARD (RED) x1

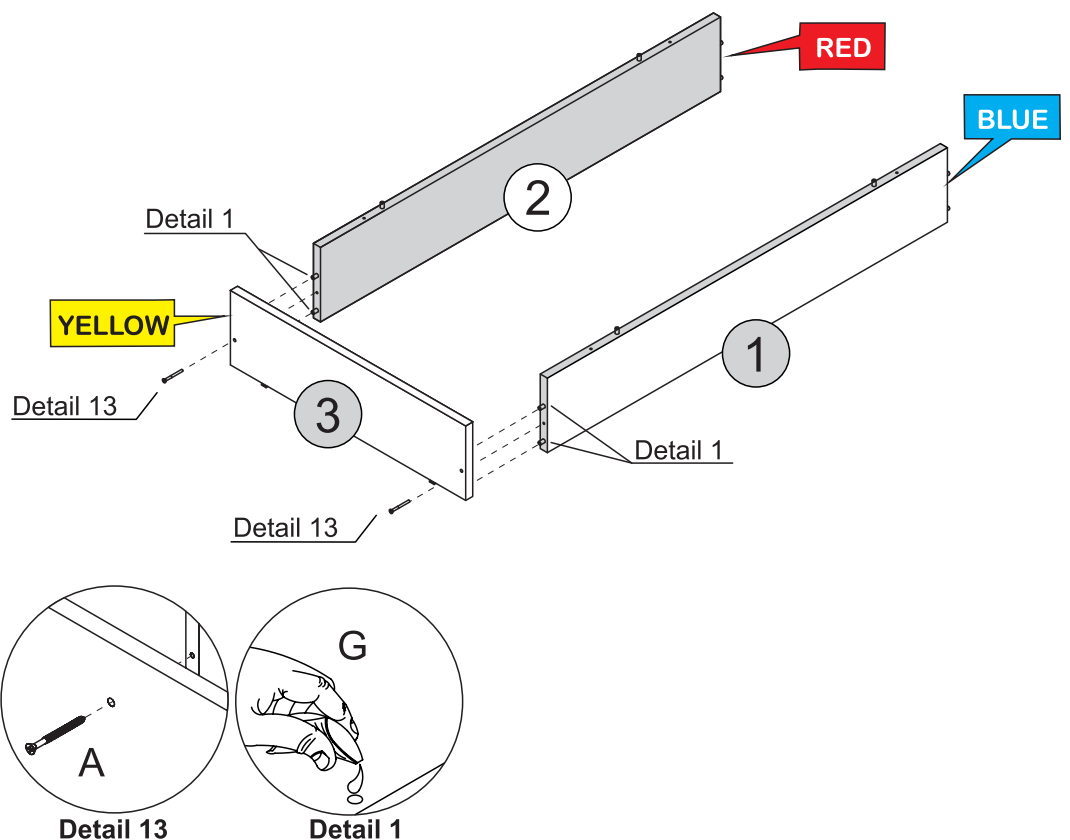
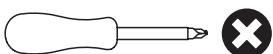
3 - LEFT BASEBOARD (YELLOW) x1

HARDWARE REQUIRED

A  02
Ø4,0 x 45mm

G  01

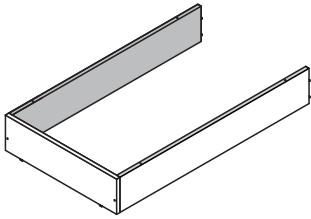
TOOLS REQUIRED



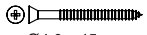
STEP 7

PARTS REQUIRED

5 - BASE PANEL (BLACK) x1

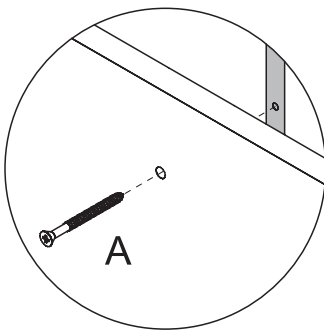
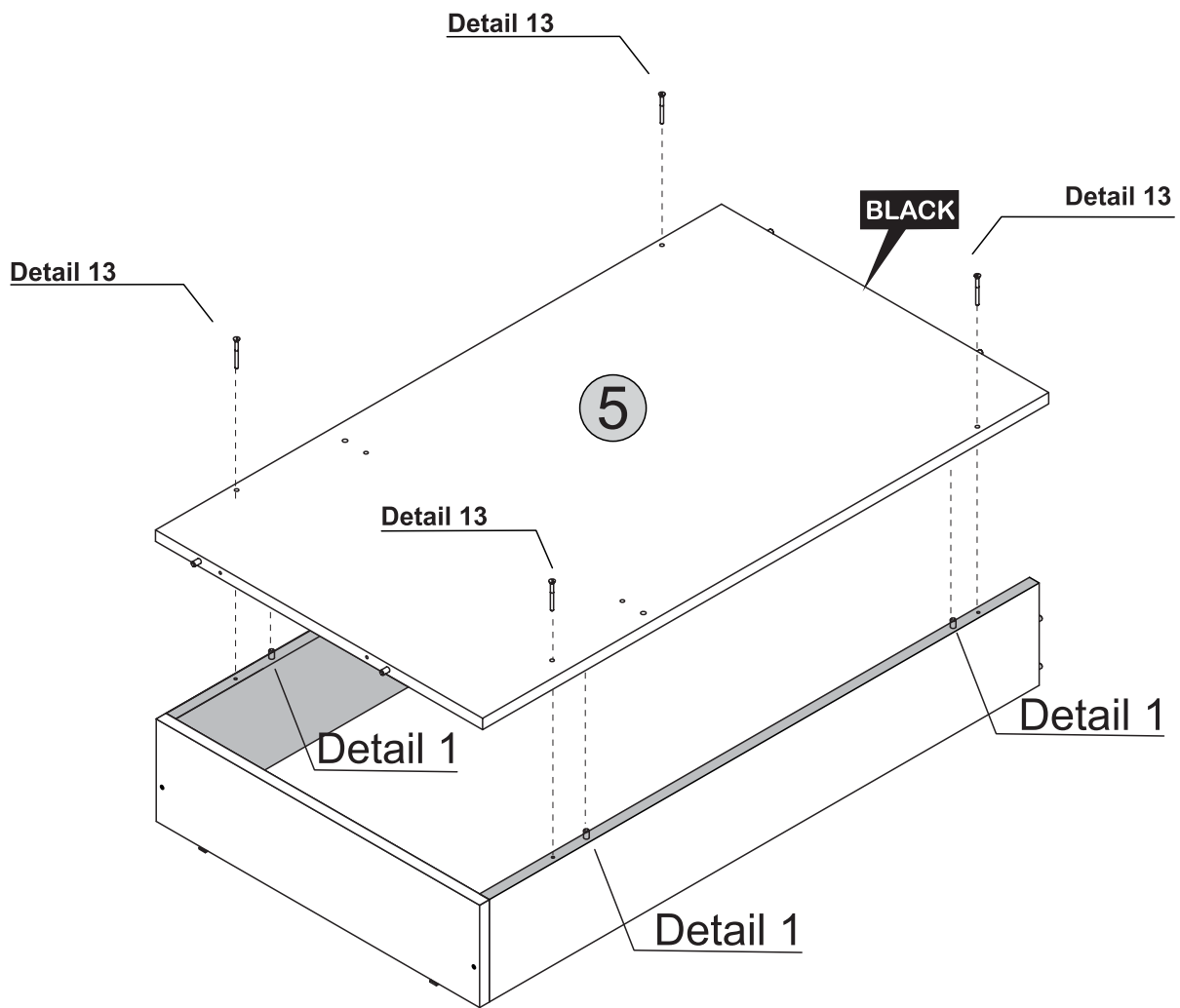
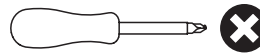


HARDWARE REQUIRED

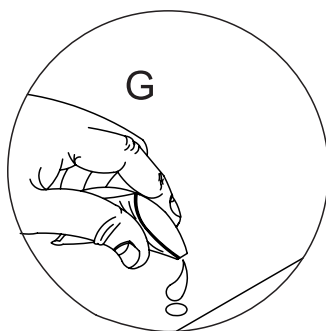
A  04
Ø4,0 x 45mm

G  01

TOOLS REQUIRED



Detail 13



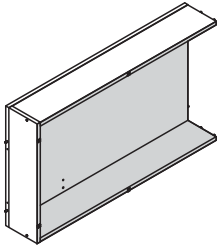
Detail 1

STEP 8

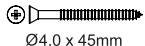
PARTS REQUIRED

4 - RIGHT SIDE PANEL (BLUE) x1

7 - DIVISION PANEL (GREEN) x1

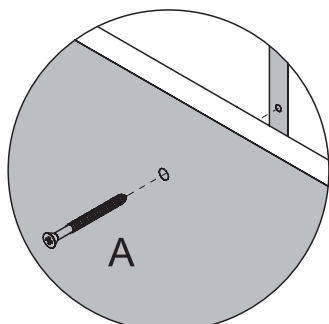
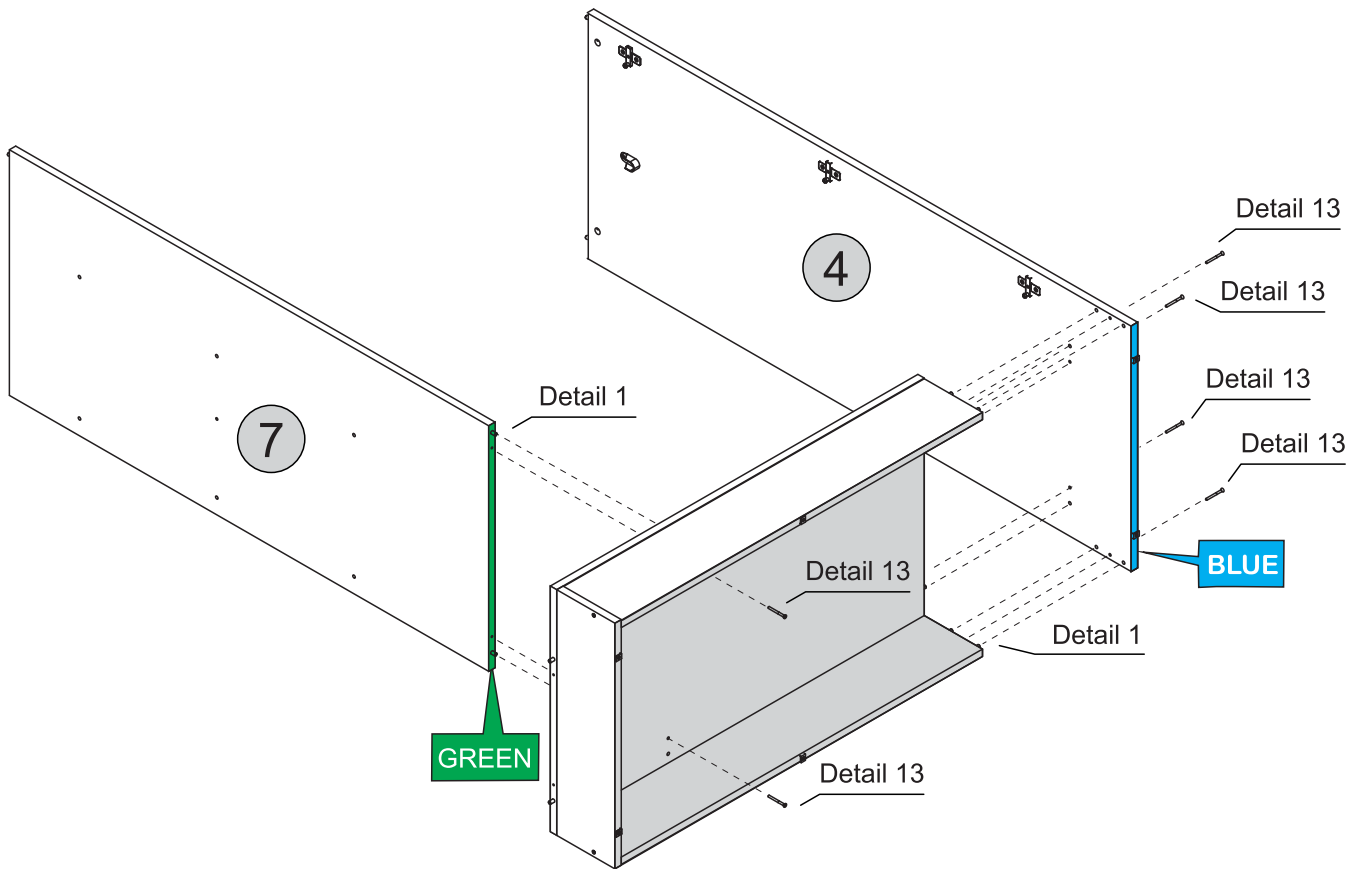
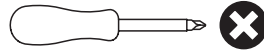


HARDWARE REQUIRED

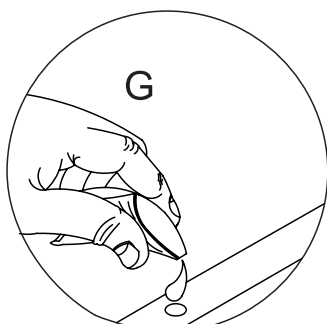
A  06
Ø4,0 x 45mm

G  01

TOOLS REQUIRED



Detail 13

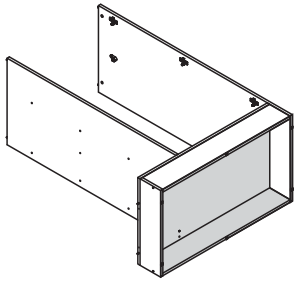


Detail 1

STEP 9

PARTS REQUIRED

9 - CENTRE TOP (BLUE) x1



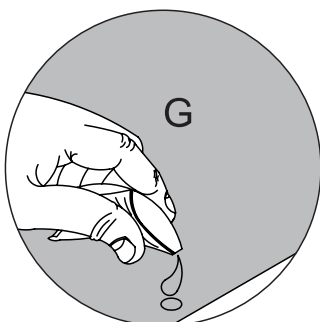
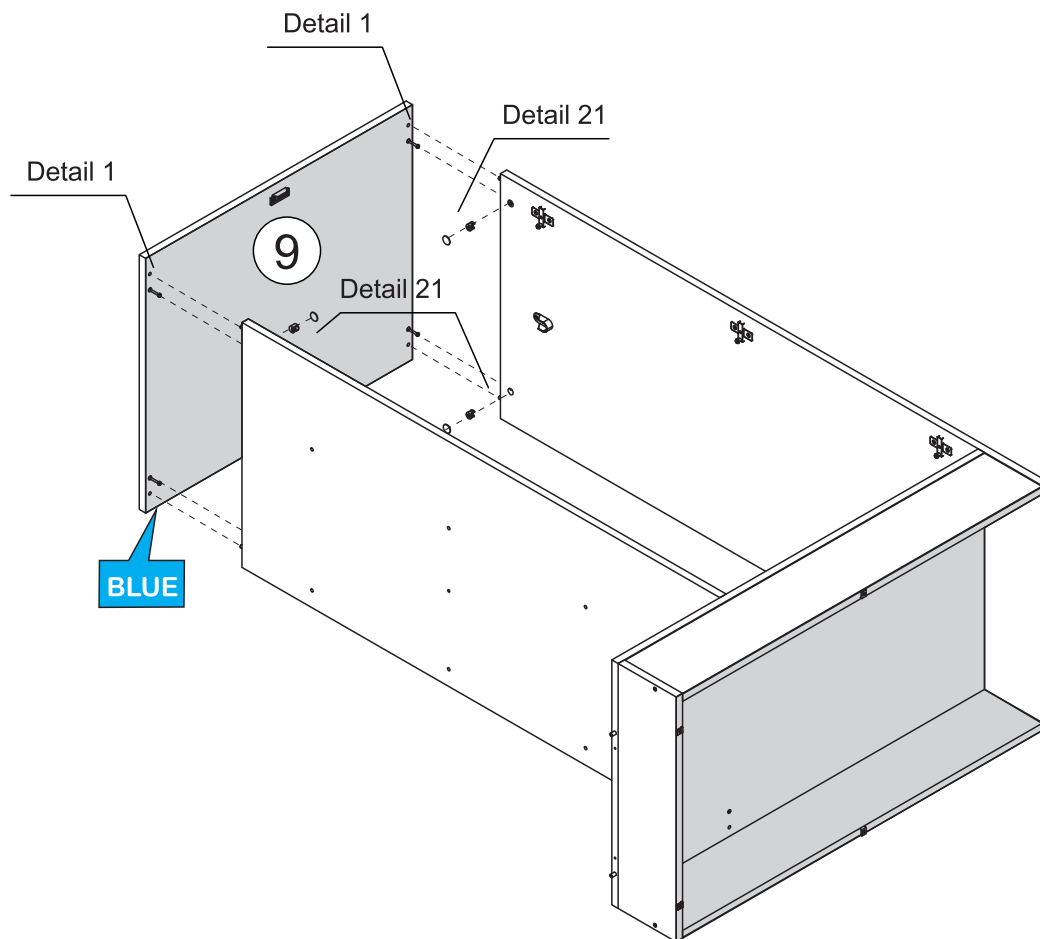
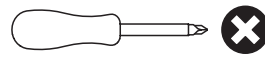
HARDWARE REQUIRED

G  01

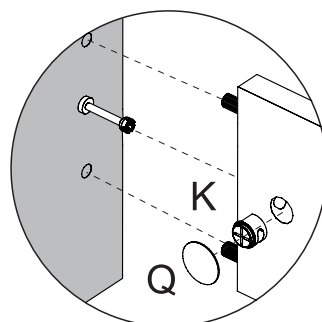
K  04

Q  04

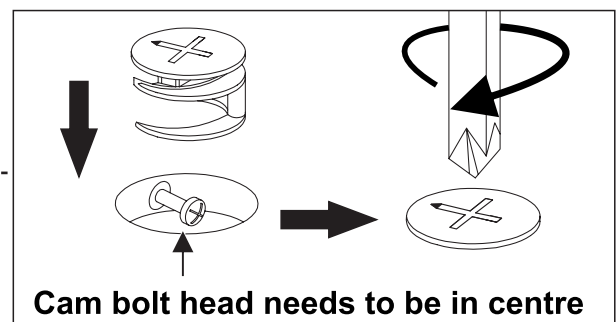
TOOLS REQUIRED



Detail 1



Detail 21

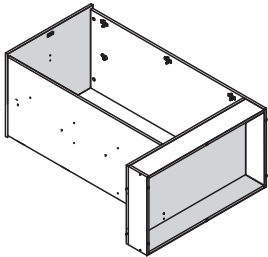


STEP 10

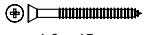
PARTS REQUIRED

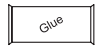
6 - LEFT SIDE PANEL (RED) x1

8 - SHELF (RED) x3

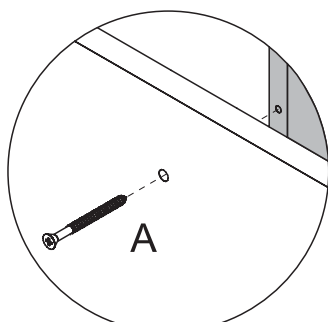
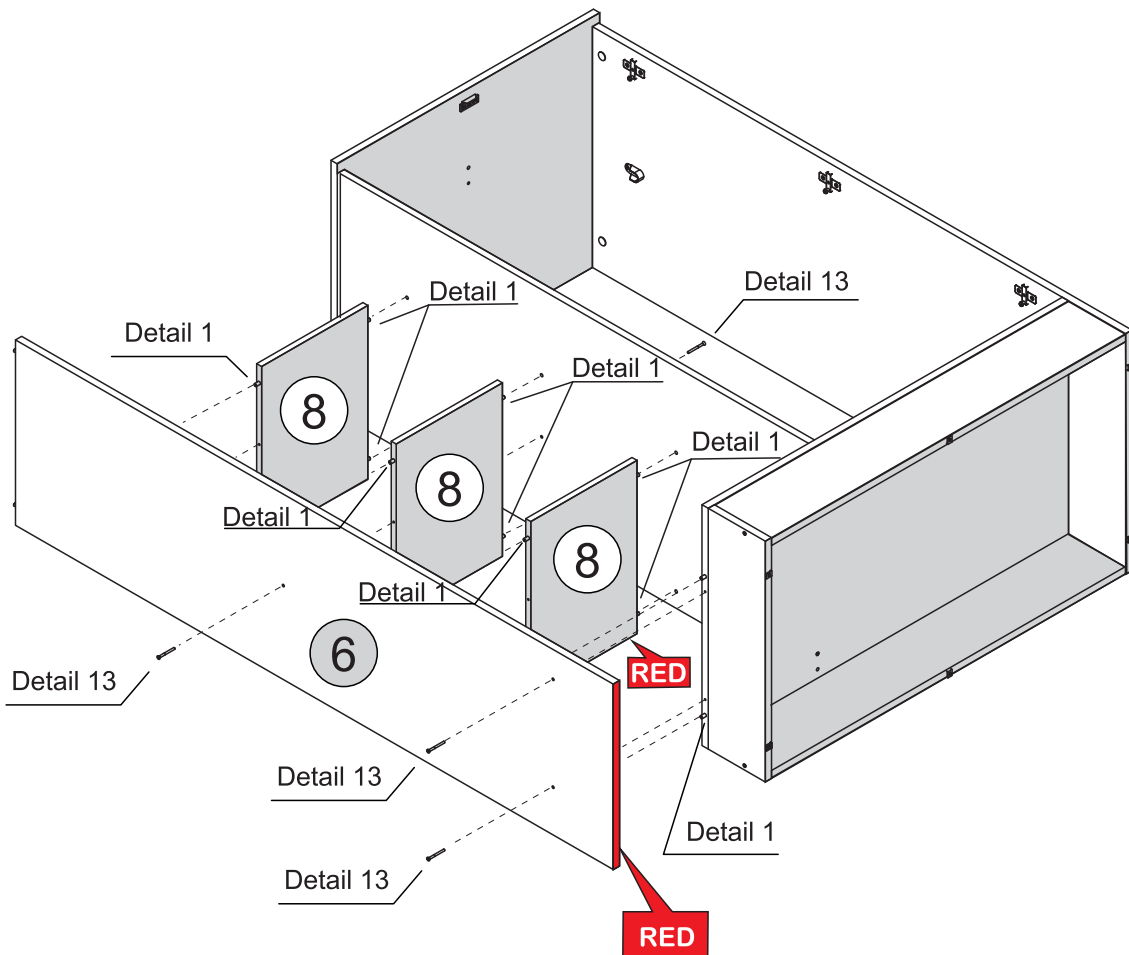
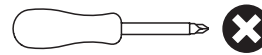


HARDWARE REQUIRED

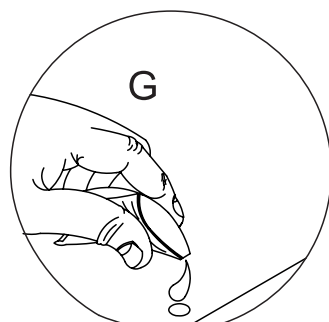
A  04
4,0 x 45mm

G  01

TOOLS REQUIRED



Detail 13



Detail 1


STEP 11

PARTS REQUIRED

10 - TOP PANEL (GREEN) x1

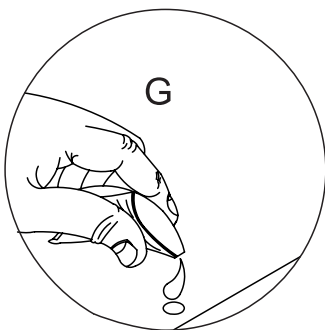
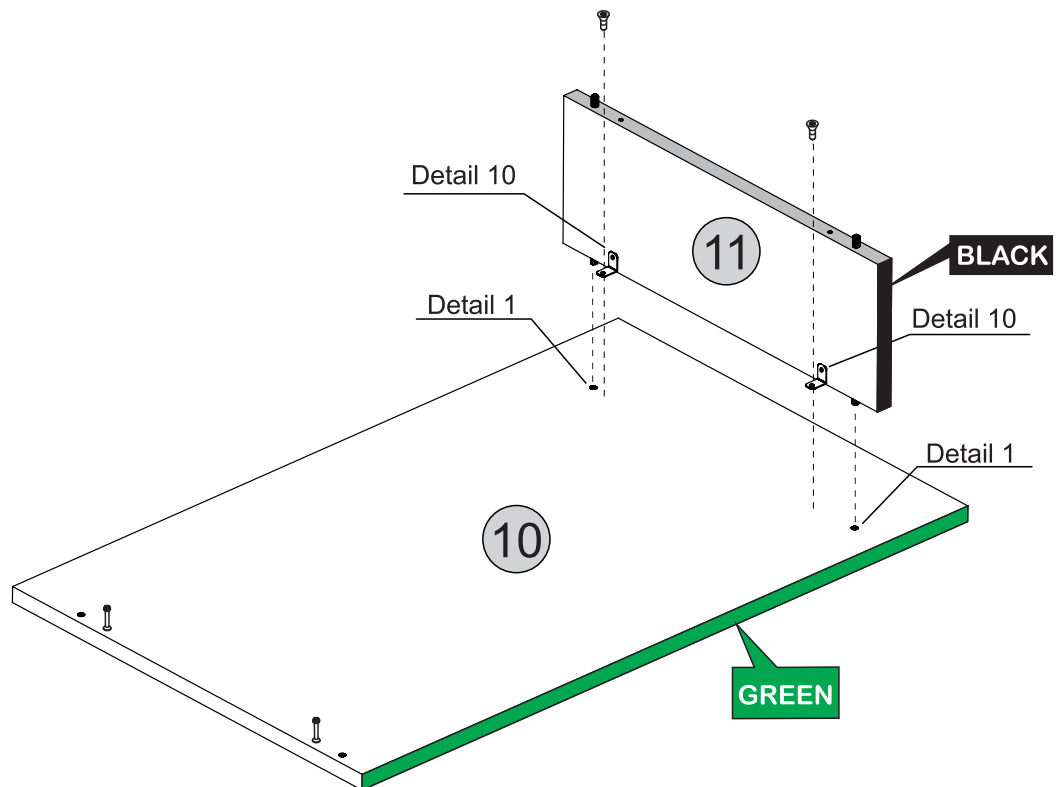
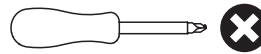
11 - SMALL DIVISION PANEL (BLACK) x1

HARDWARE REQUIRED

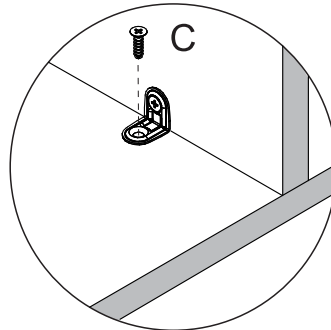
C  02
Ø4,0 x 14mm

G  01
Glue

TOOLS REQUIRED



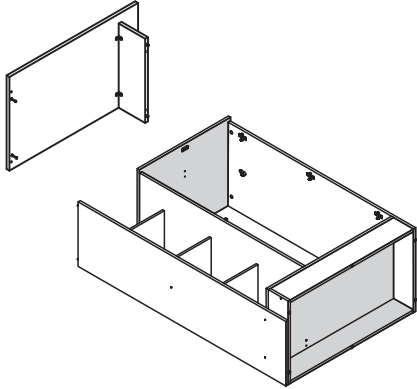
Detail 1




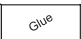


Detail 10

STEP 12

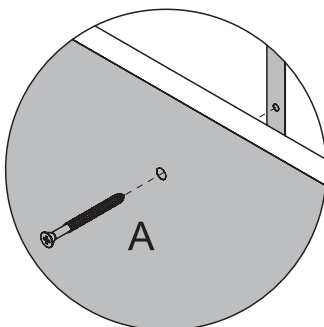
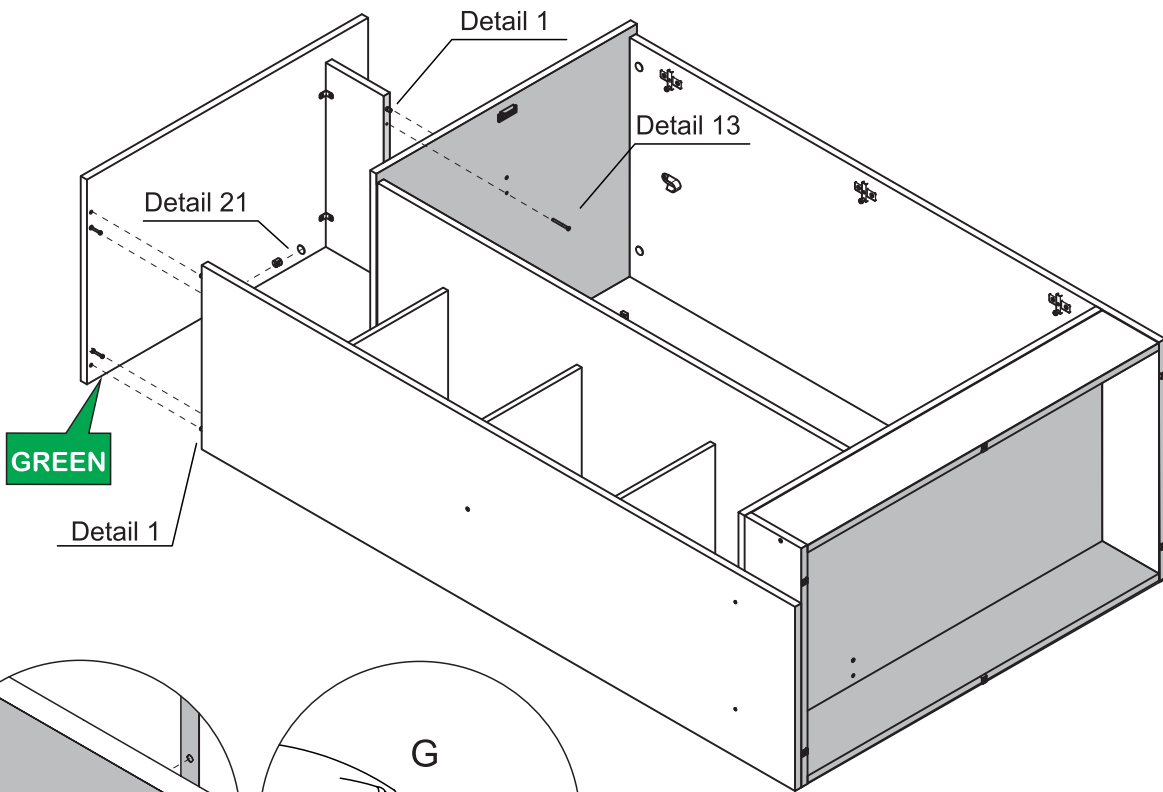
PARTS REQUIRED



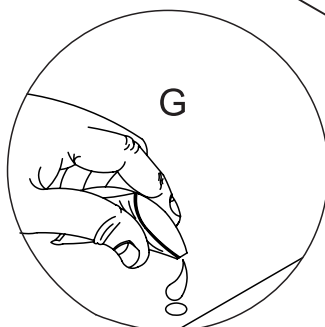
HARDWARE REQUIRED

A	 4,0 x 45mm	02
G	 Glue	01
K		02
Q		02

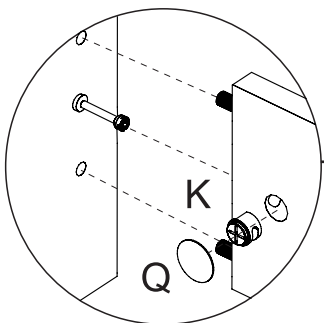
TOOLS REQUIRED



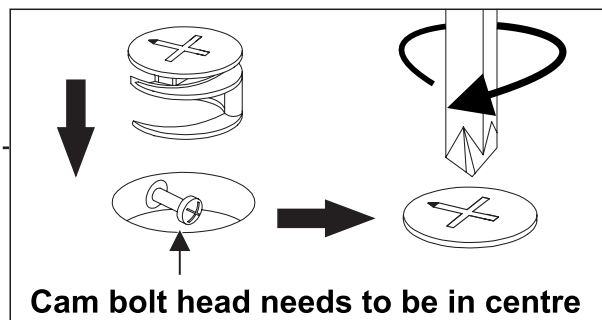
Detail 13



Detail 1



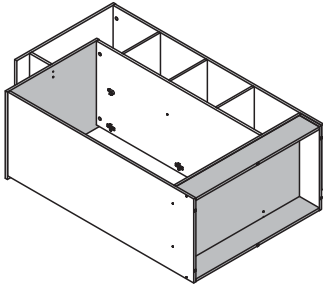
Detail 21



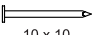
STEP 13

PARTS REQUIRED

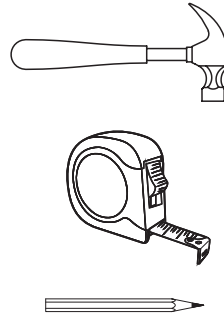
12 - LARGE BACK PANEL x1



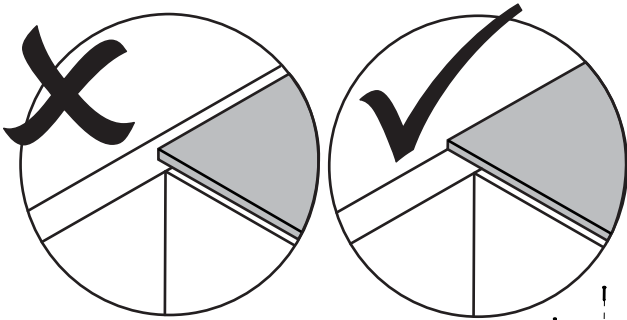
HARDWARE REQUIRED

E  20
10 x 10

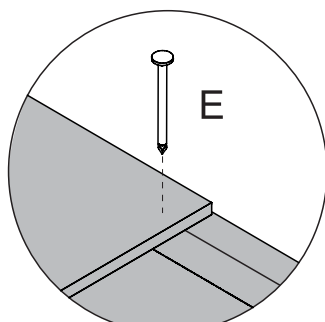
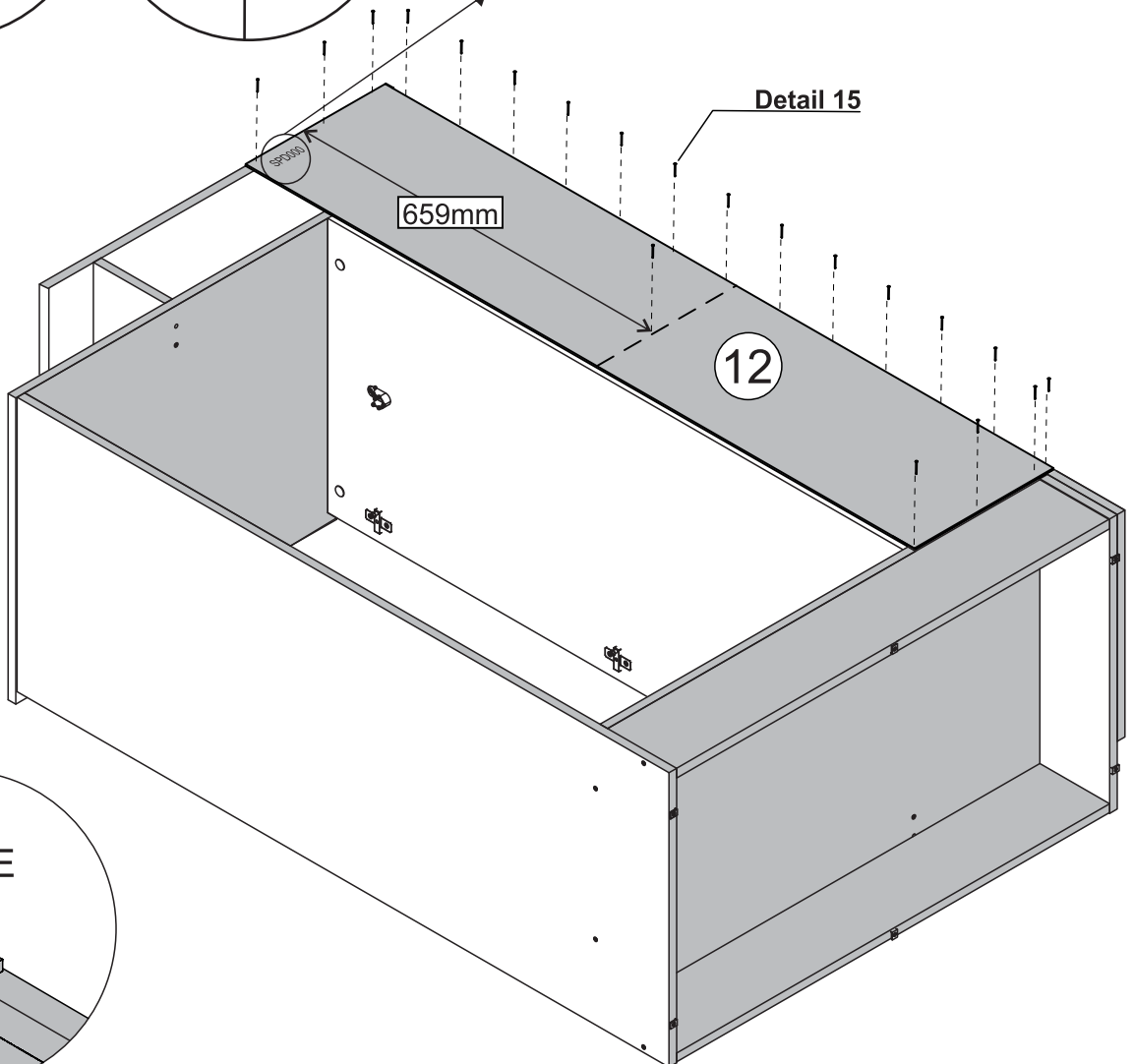
TOOLS REQUIRED



Part 12 assembly, must be lined up with the edge of parts 6 and 10.



* For your future reference Order Number should be here

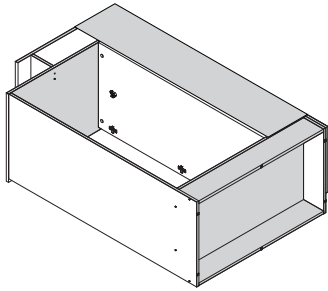


Detail 15


STEP 14

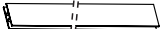
PARTS REQUIRED

14 - SMALL BACK PANEL x1

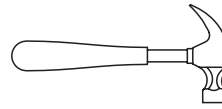


HARDWARE REQUIRED

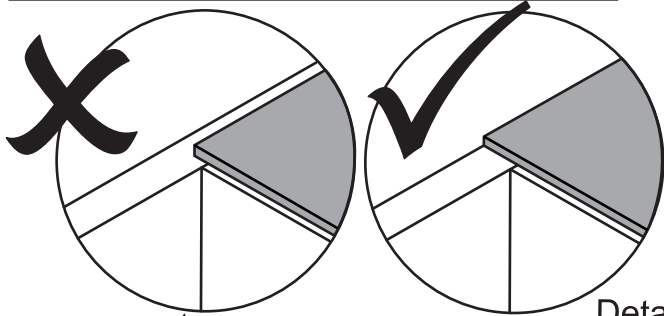
E  10 x 10 05

W  138mm 01

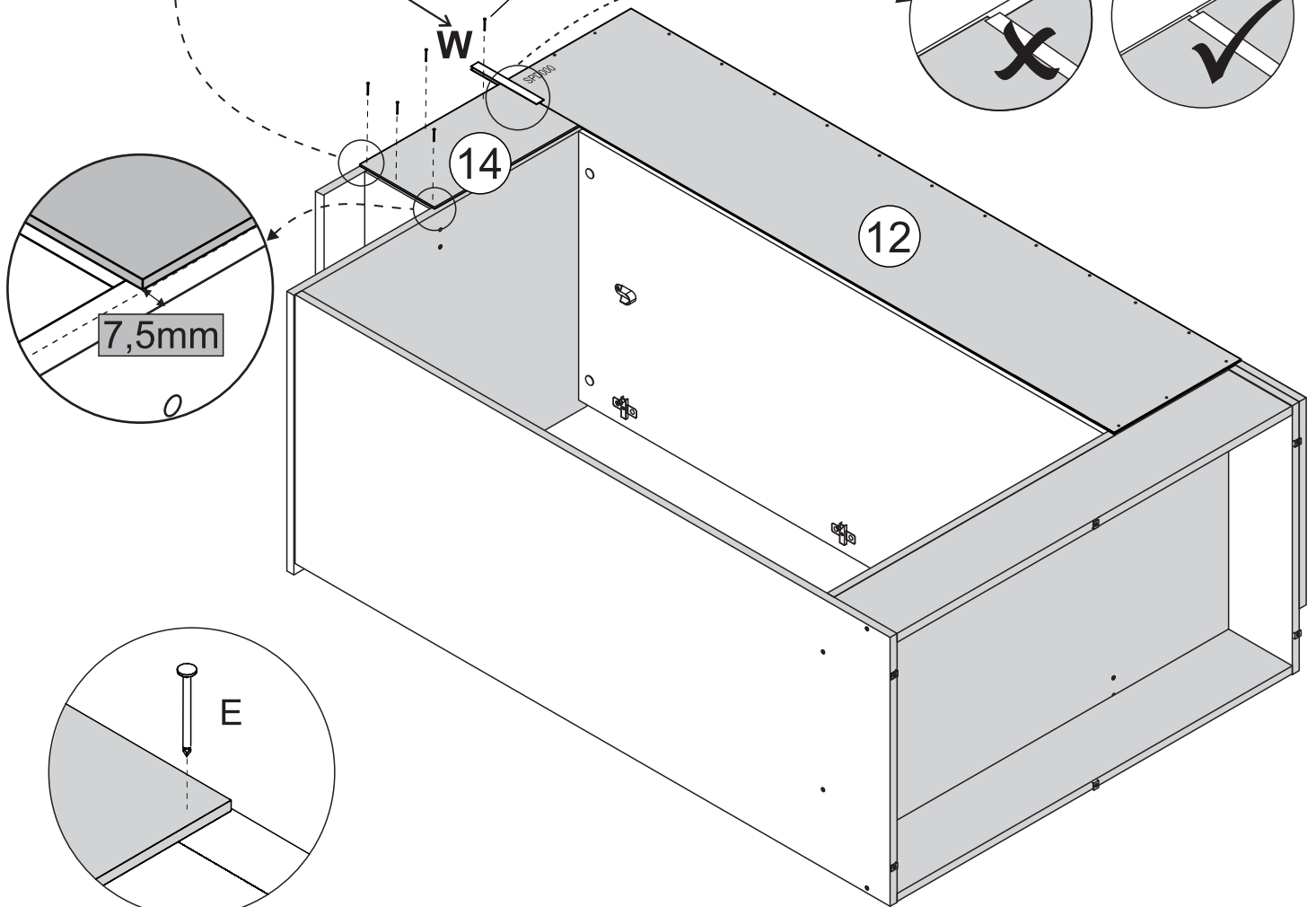
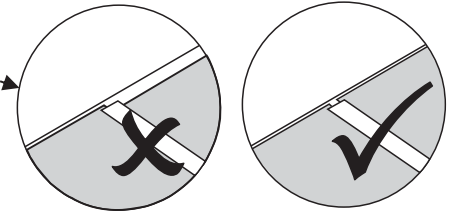
TOOLS REQUIRED



Part 14 assembly, must be lined up with the edge of part 10.



Detail 15



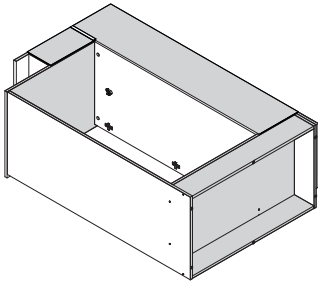
7,5mm

Detail 15

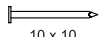

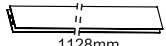
STEP 15

PARTS REQUIRED

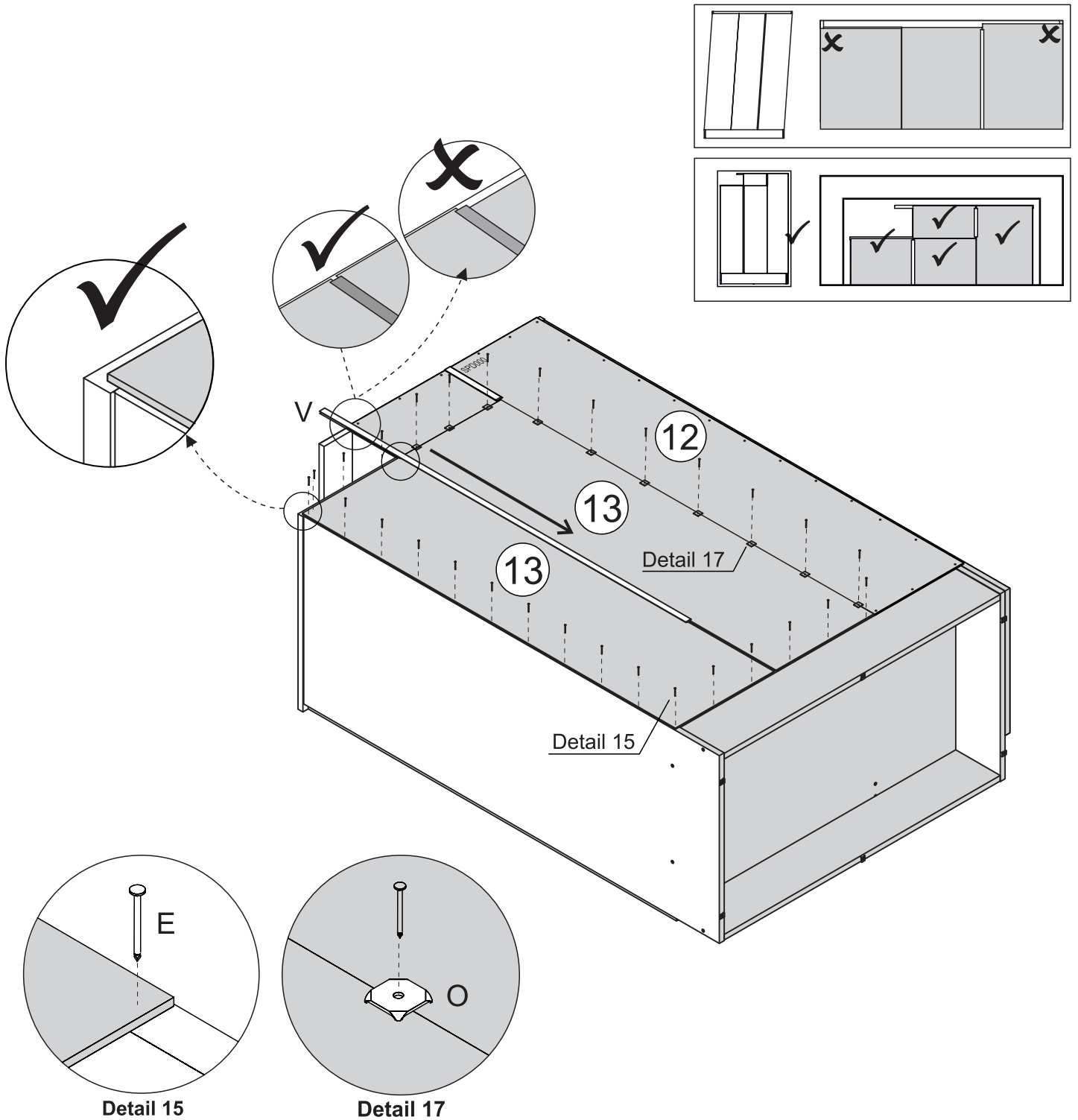
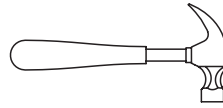
13 - MEDIUM BACK PANEL x2



HARDWARE REQUIRED

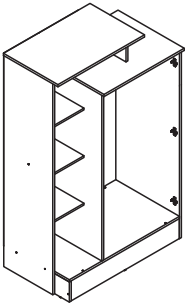
- E  29
- O  10
- V  01

TOOLS REQUIRED

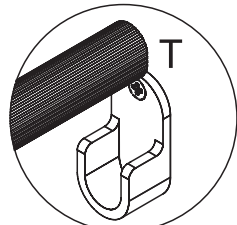
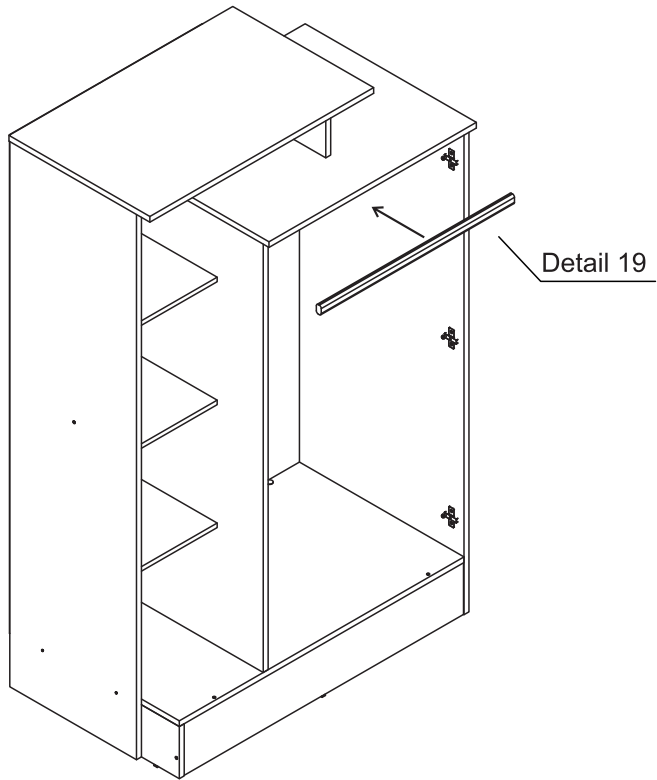


STEP 16

PARTS REQUIRED



HARDWARE REQUIRED



Detail 19

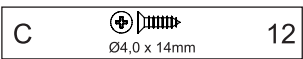
STEP 17

PARTS REQUIRED

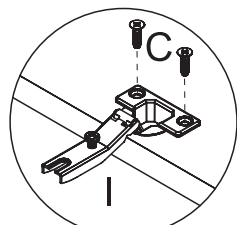
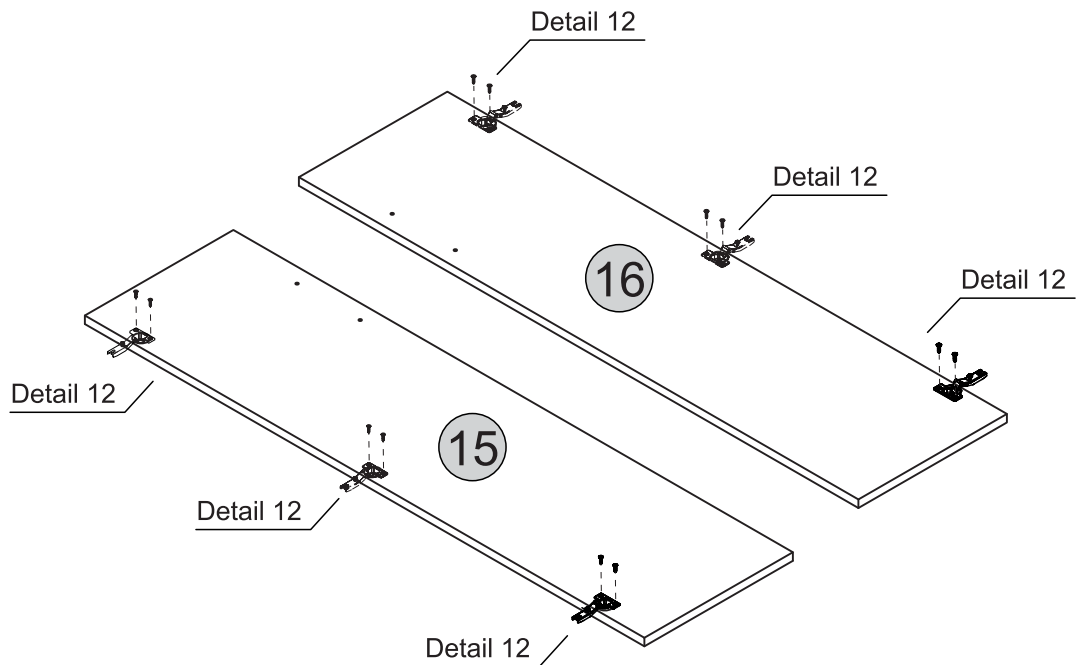
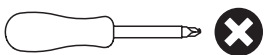
15 - RIGHT DOOR	x1
-----------------	----

16 - LEFT DOOR	x1
----------------	----

HARDWARE REQUIRED



TOOLS REQUIRED



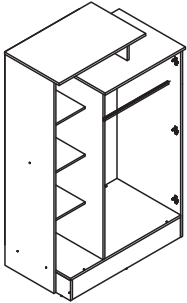
Detail 12

STEP 18

PARTS REQUIRED

15 - RIGHT DOOR x1

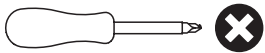
16 - LEFT DOOR x1



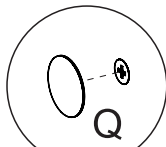
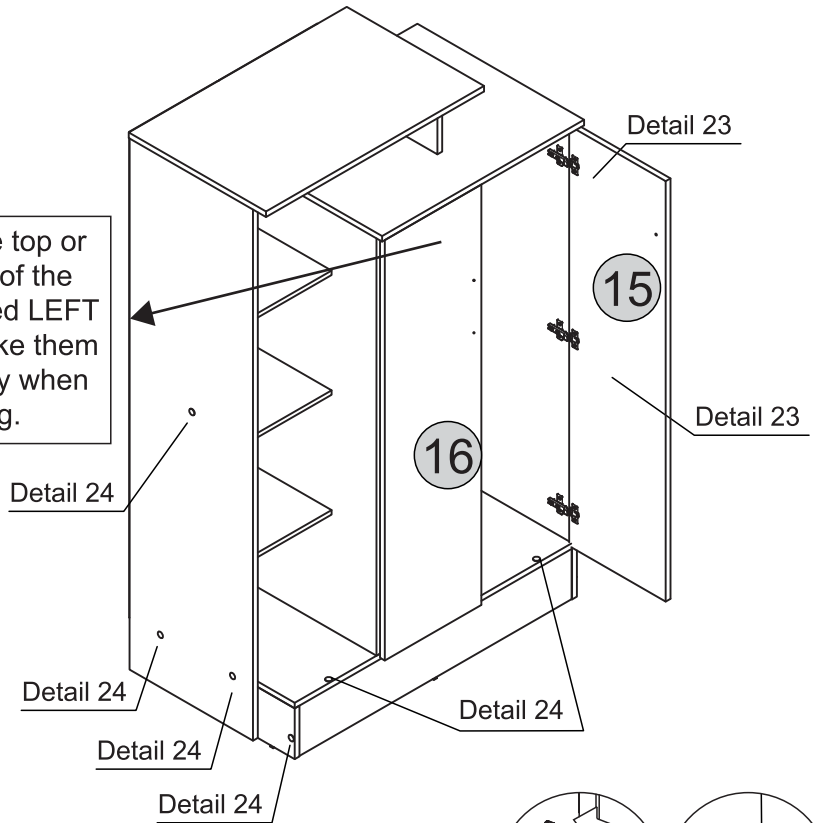
HARDWARE REQUIRED

Q  13

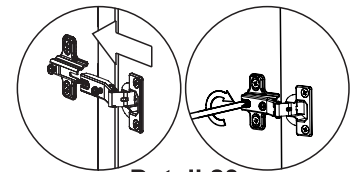
TOOLS REQUIRED



!
Please note the top or bottom edges of the doors are labelled LEFT or RIGHT to make them easier to identify when assembling.



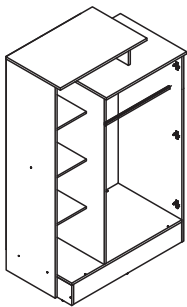
Detail 24




Detail 23

STEP 19

PARTS REQUIRED

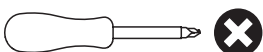


HARDWARE REQUIRED

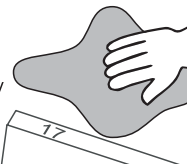
D  04
Ø4,0 x 20mm

F  02

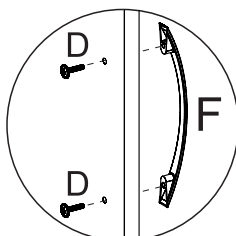
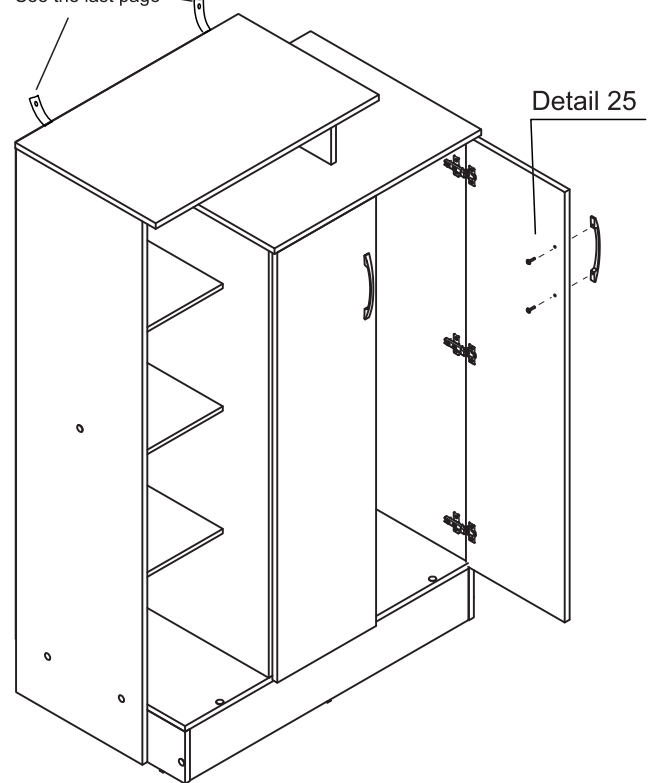
TOOLS REQUIRED



TIP
If desired, after assembly use an alcohol cleaner to erase the number printed on the parts.



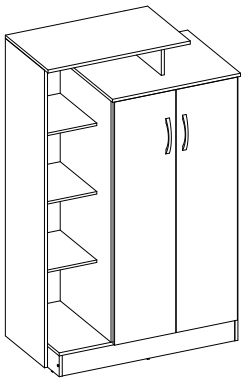
!
See the last page



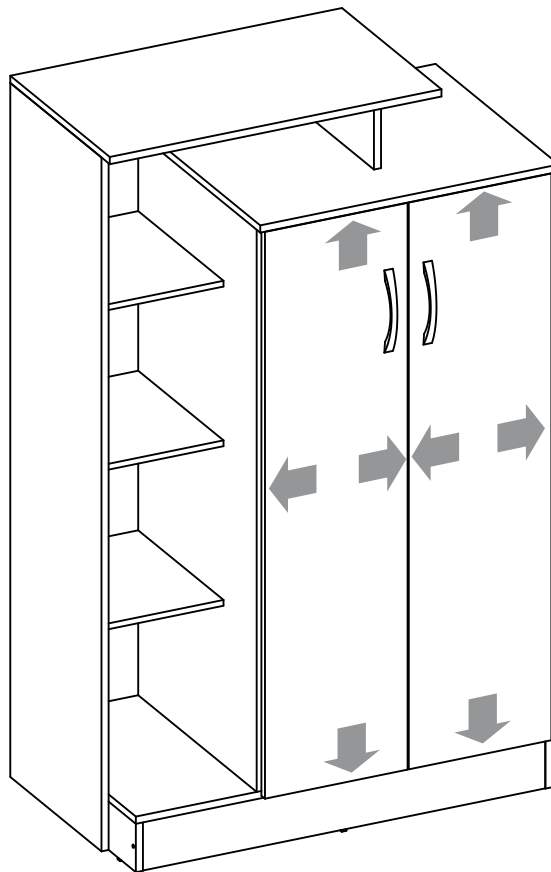
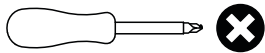
Detail 25

STEP 20

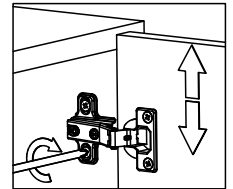
PARTS REQUIRED



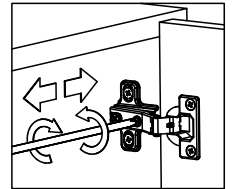
TOOLS REQUIRED



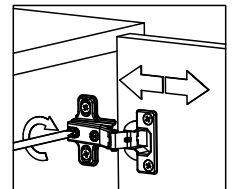
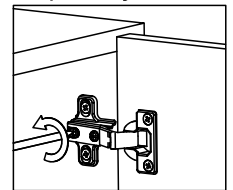
Height Adjustment



Internal Adjustment



Depth Adjustment

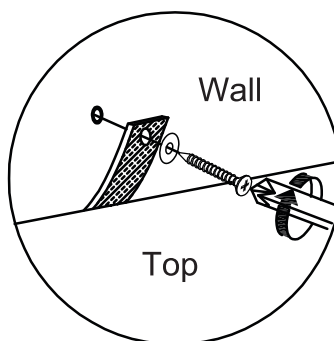
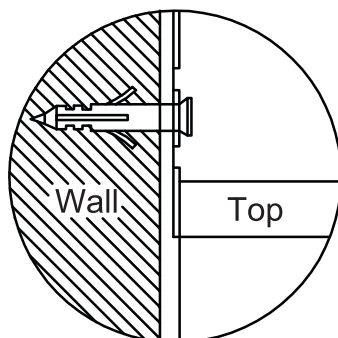
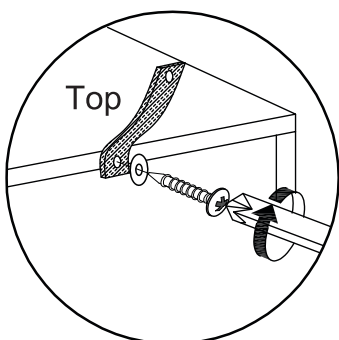


WARNING

Serious or fatal injuries can occur from furniture tipping over. To prevent the furniture from tipping over we recommend that it is permanently fixed to the wall.

Wall fixings are not supplied with this product as different wall materials require different types of fixing devices.

Please make sure you use fixings suitable for the walls in your home.



B	Flan Head Screw Ø3,5 x 30mm (2x)
R	Washer (4x)
U	Strap (2x)