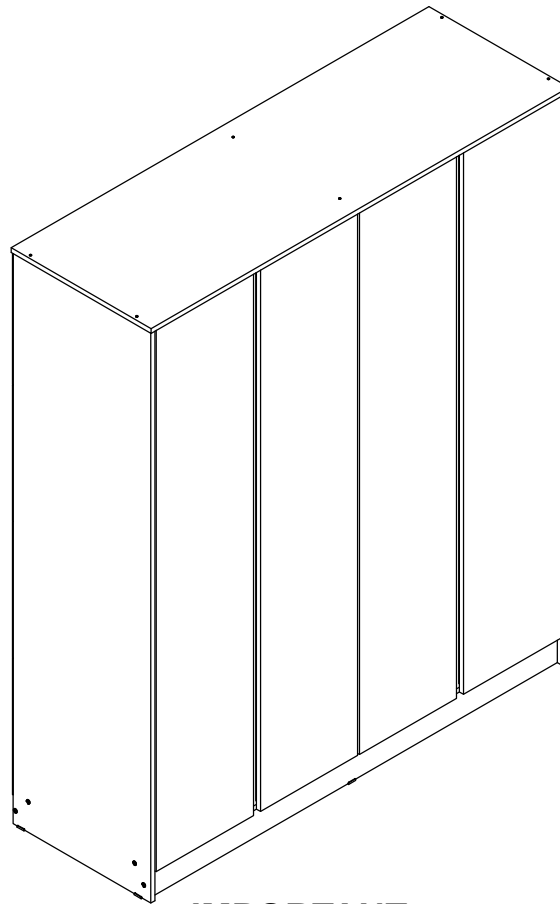
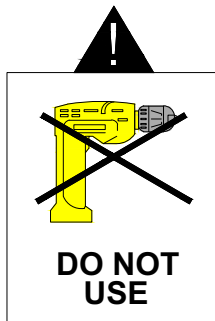


MALVERN 4 DOOR WARDROBE ASSEMBLY INSTRUCTIONS



**IMPORTANT
FOR DOMESTIC USE ONLY
PLEASE READ BEFORE YOU CONTINUE FURTHER**

THE PRODUCT YOU HAVE PURCHASED WILL GIVE YOU MANY YEARS OF SERVICE IF YOU FOLLOW THE GUIDELINES FOR ITS SAFE ASSEMBLY AND PERIODIC MAINTENANCE AND CLEANING.

ASSEMBLE ON A SOFT CLEAN SURFACE.

DO NOT USE ANY TOOLS OTHER THAN THOSE SHOWN.

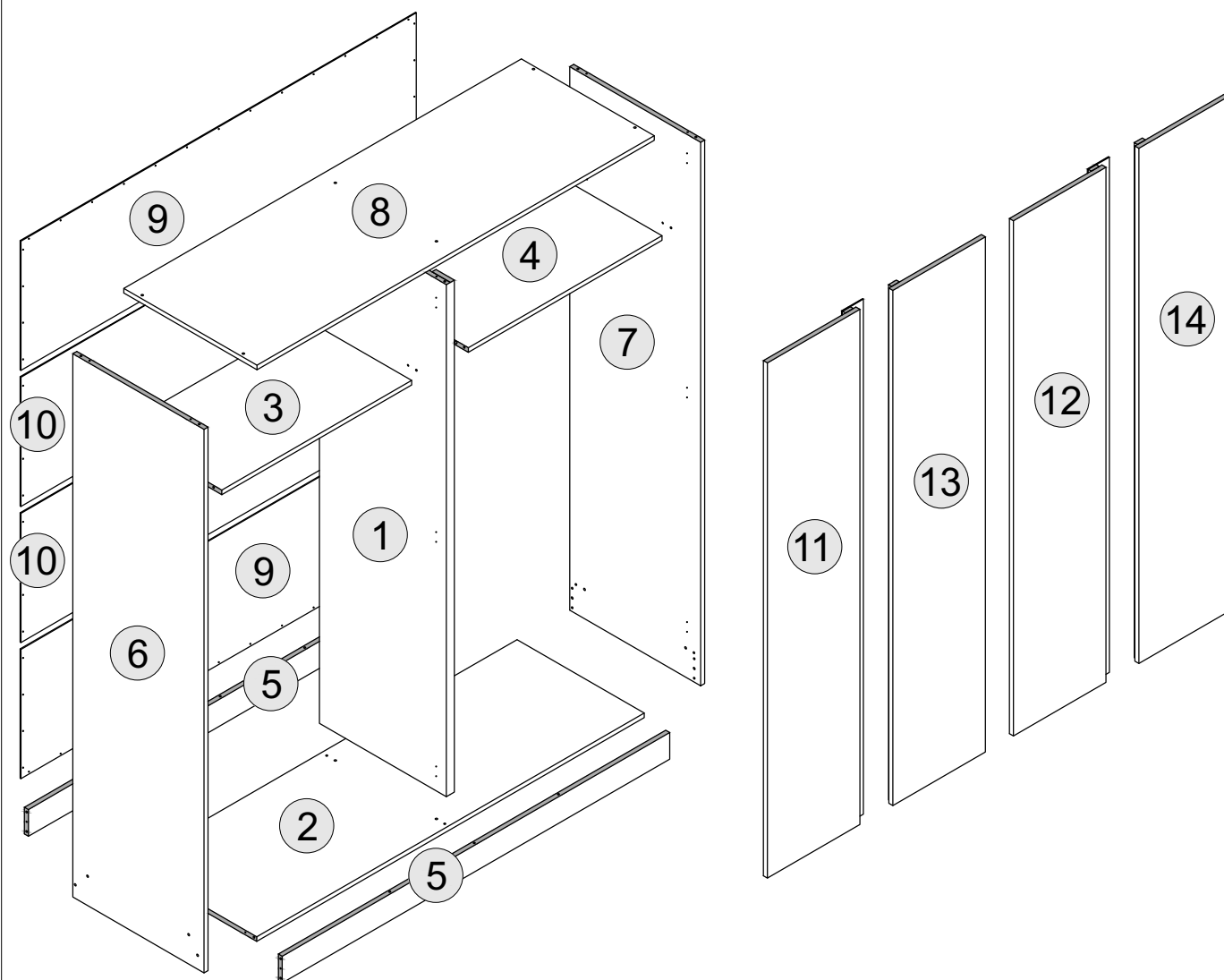
ANY SPANNERS OR ALLEN KEYS REQUIRED ARE INCLUDED WITH THE FITTINGS KIT.

DO NOT FOR ANY REASON USE A POWER TOOL TO ASSEMBLE THIS PRODUCT. ITS USE WILL INVALIDATE ANY CLAIM YOU MAY HAVE AND COULD MAKE THIS PRODUCT UNSAFE.

DEPENDING ON THE AMOUNT OF USE THIS PRODUCT RECEIVES IT MAY BE NECESSARY TO TIGHTEN UP THE FIXINGS FROM TIME TO TIME. THIS IS COMPLETELY NORMAL FOR ANY FLAT PACK FURNITURE. DO NOT OVERTIGHTEN FIXING.

FOR CLEANING, YOU MAY USE A DAMP CLOTH (NOT WET) DO NOT USE POLISH, DETERGENT OR CHEMICAL CLEANERS.



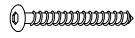
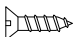
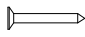

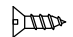


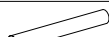


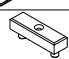
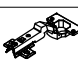
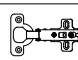



THE SURFACE OF THIS ITEM IS NOT HEAT RESISTANT. ALWAYS USE A PLACE MAT UNDER HOT OR COLD ITEMS TO PREVENT MARKING.

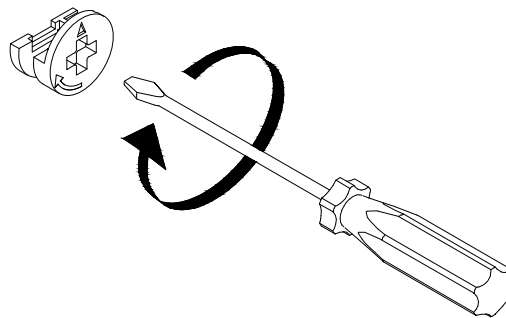


PART LIST

<u>Part Number</u>	<u>Part Code</u>	<u>Part Description</u>	<u>Quantity</u>	<u>Carton</u>
1	S100-101-211-EU1-01	Centre Panel	1	1/3
2	S100-101-211-EU1-02	Bottom Panel	1	2/3
3	S100-101-211-EU1-03	Shelf Panel - Left	1	2/3
4	S100-101-211-EU1-04	Shelf Panel - Right	1	2/3
5	S100-101-211-EU1-05	Base Apron	2	2/3
6	S100-101-211-EU1-06	Side Panel - Left	1	1/3
7	S100-101-211-EU1-07	Side Panel - Right	1	1/3
8	S100-101-211-EU1-08	Top Panel	1	2/3
9	S100-101-211-EU1-09	Back Panel I	2	2/3
10	S100-101-211-EU1-10	Back Panel II	2	2/3
11	S100-101-211-EU1-11	Door - Left	1	3/3
12	S100-101-211-EU1-12	Door - Centre Right	1	3/3
13	S100-101-211-EU1-13	Door - Centre Left	1	3/3
14	S100-101-211-EU1-14	Door - Right	1	3/3

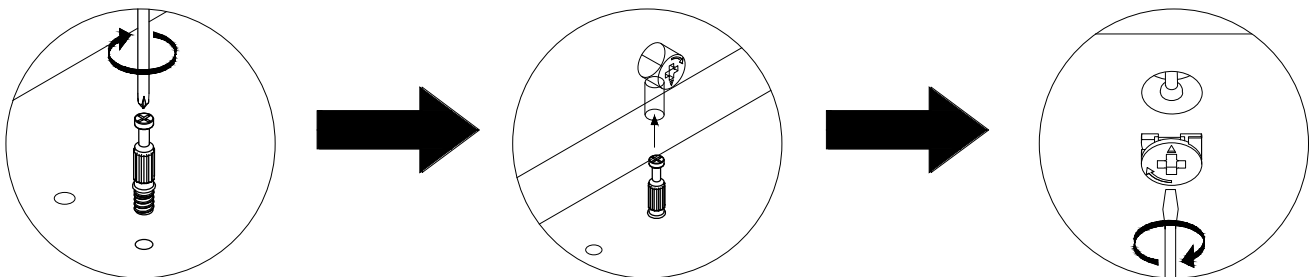
HARDWARE LIST

A		DOWEL 6 X 30MM	34 PCS
B		CAM BOLT + CAM NUT	8 SETS
C		BOLT M6 X 50MM	8 PCS
D		SCREW M3.5 X 16MM	32 PCS
E		TACK	58 PCS
F		PLASTIC FOOT	6 PCS
G		SCREW M3.5 X 12MM	8 PCS
H		TAPPING SCREW M8 X 12MM	24 PCS
I		HANGING RAIL SUPPORT	4 PCS
J		HANGING RAIL	2 PCS
K		SCREW M6 X 50MM	8 PCS
L		PLASTIC H STRIP	3 PCS
M		PVC STOPPER	2 PC
N		HINGES 7/8	6 PCS
O		HINGES 5/8	6 PCS
P		ALLEN KEY	1 PC
Q		ANTI - TIP STRAP	2 PCS
R		SCREW M4 X 16MM	2 PCS



(SCREWDRIVER NOT PROVIDED)

USE A FLAT HEAD SCREWDRIVER TO TIGHTEN THE CAM NUTS. A QUARTER TURN CLOCKWISE IS ALL THAT IS NEEDED.



STEP 1 - USE A CROSS SLOT SCREWDRIVER TO TIGHTEN THE CAM BOLT INTO THE HOLE.

STEP 2 - ALIGN THE CAM BOLT WITH THE HOLE AND PUSH TOGETHER UNTIL FLUSH. (MAKE SURE THE ARROW OF THE CAM LOCK IS POINTING TOWARD ON THE EDGE OF THE PANEL.)

STEP 3 - THE HEAD OF THE BOLT GOES INTO THE WIDE MOUTH OF THE CAM LOCK. YOU THEN TURN THE LOCK SO THE NARROW PART CLOSES OVER THE BOLT.

STEP 1


PARTS REQUIRED

1 - CENTRE PANEL x1

HARDWARE REQUIRED

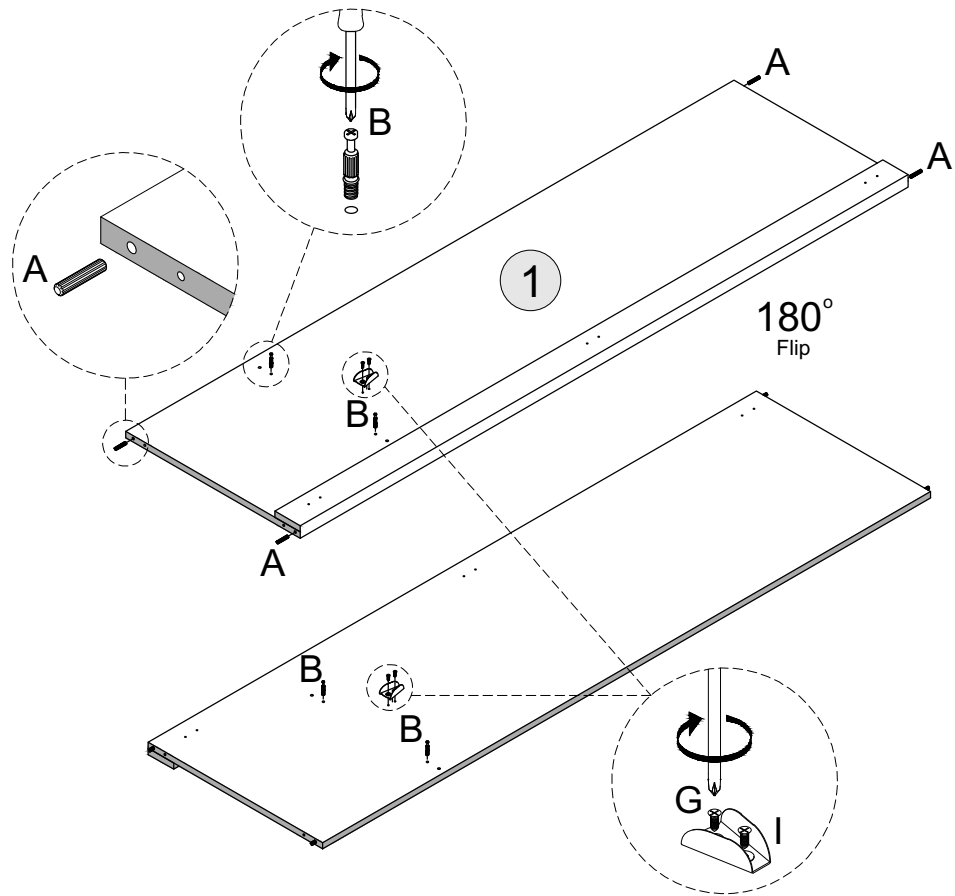
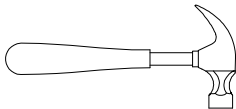
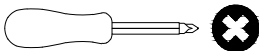
A  04

B  04

G  04

I  02

TOOLS REQUIRED



STEP 2

PARTS REQUIRED

3 - SHELF PANEL - LEFT x1

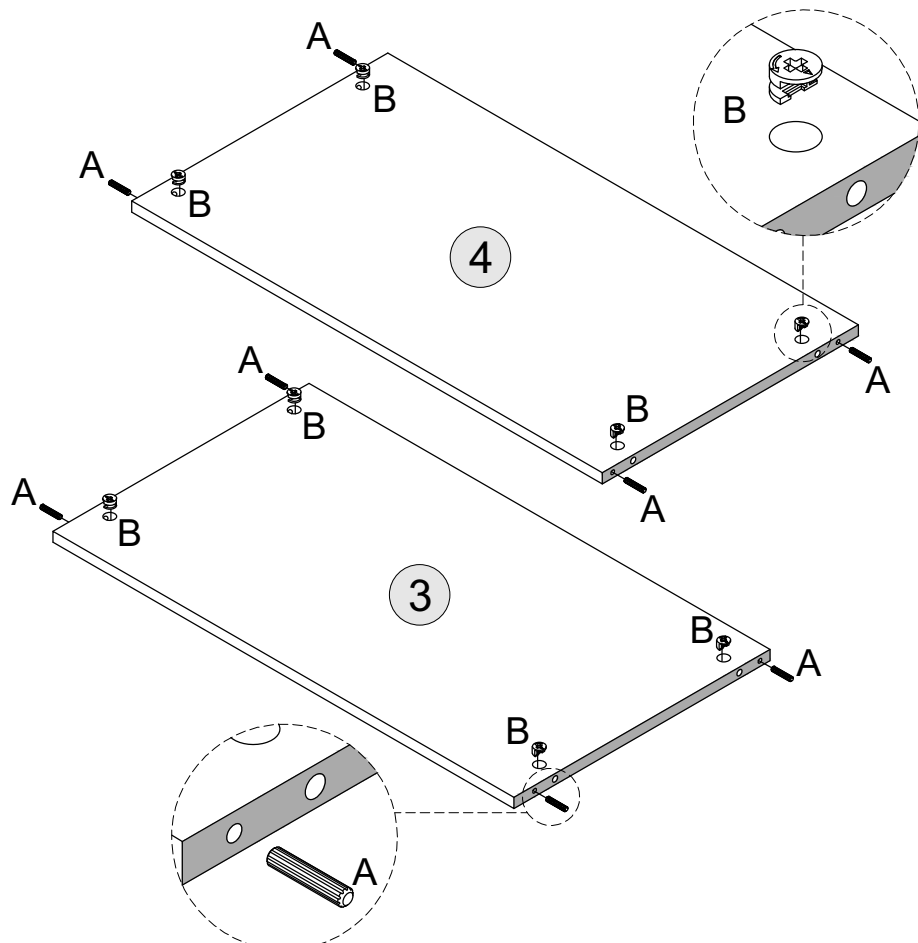
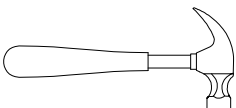
4 - SHELF PANEL - RIGHT x1

HARDWARE REQUIRED

A  08

B  08

TOOLS REQUIRED



STEP 3

PARTS REQUIRED

6 - SIDE PANEL - LEFT x1

HARDWARE REQUIRED

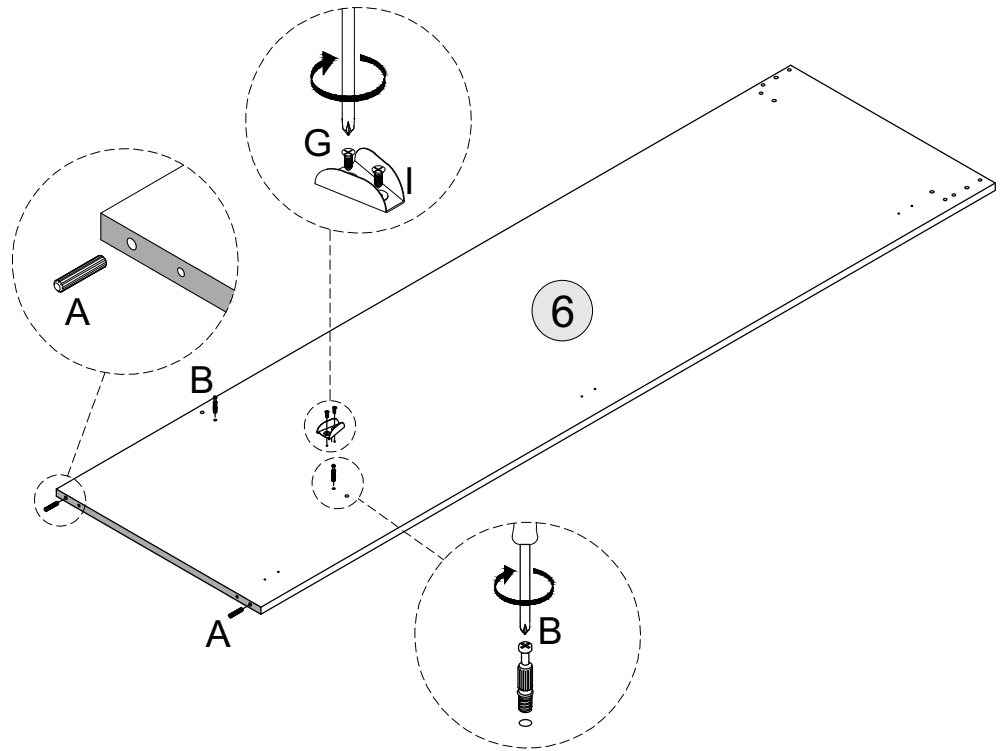
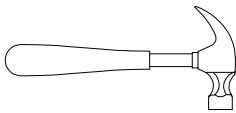
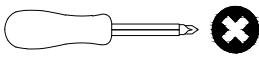
A  02

B  02

G  02

I  01

TOOLS REQUIRED



STEP 4

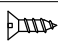
PARTS REQUIRED

7 - SIDE PANEL - RIGHT x1

HARDWARE REQUIRED

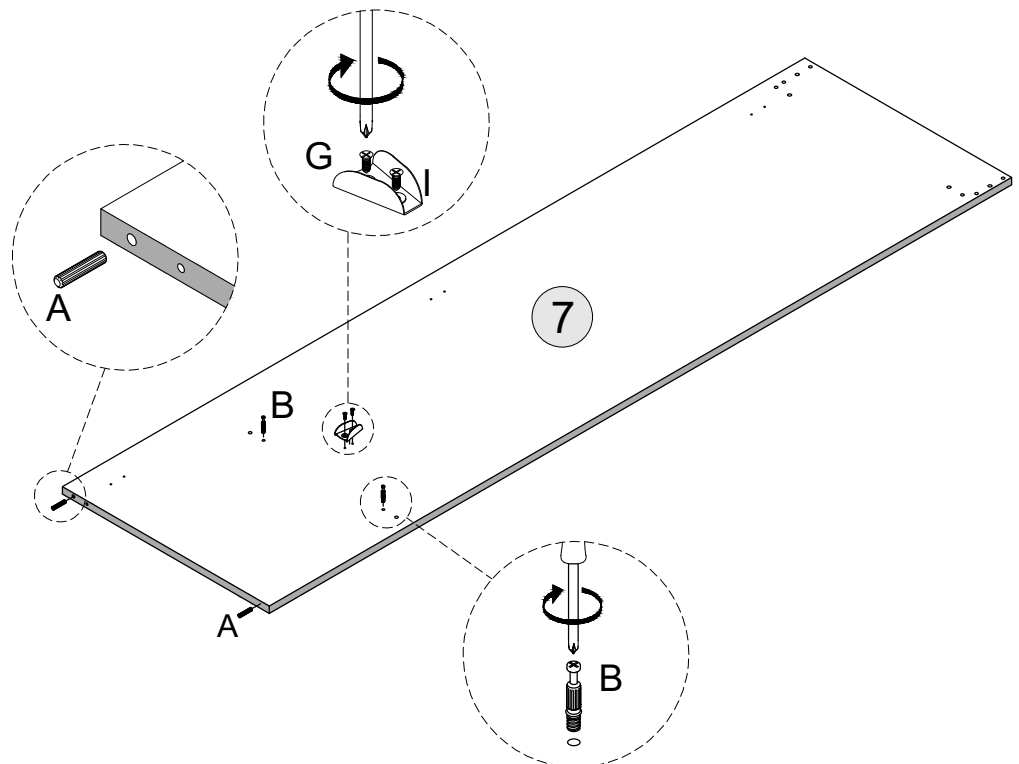
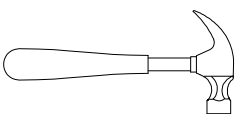
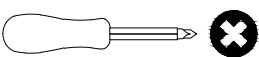
A  02

B  02

G  02

I  01

TOOLS REQUIRED



STEP 5

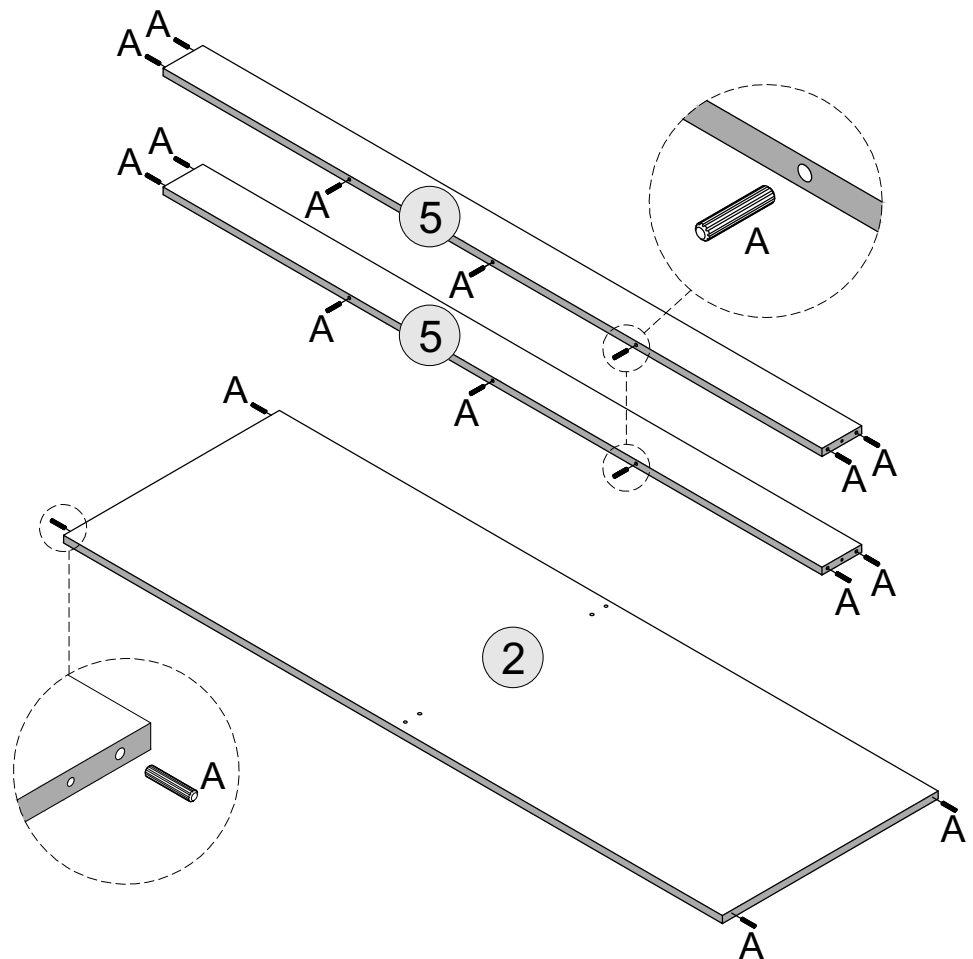
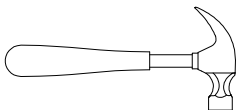
PARTS REQUIRED

2 - BOTTOM PANEL	x1
5 - BASE APRON	x2

HARDWARE REQUIRED

A		18
---	---	----

TOOLS REQUIRED

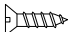



STEP 6

PARTS REQUIRED

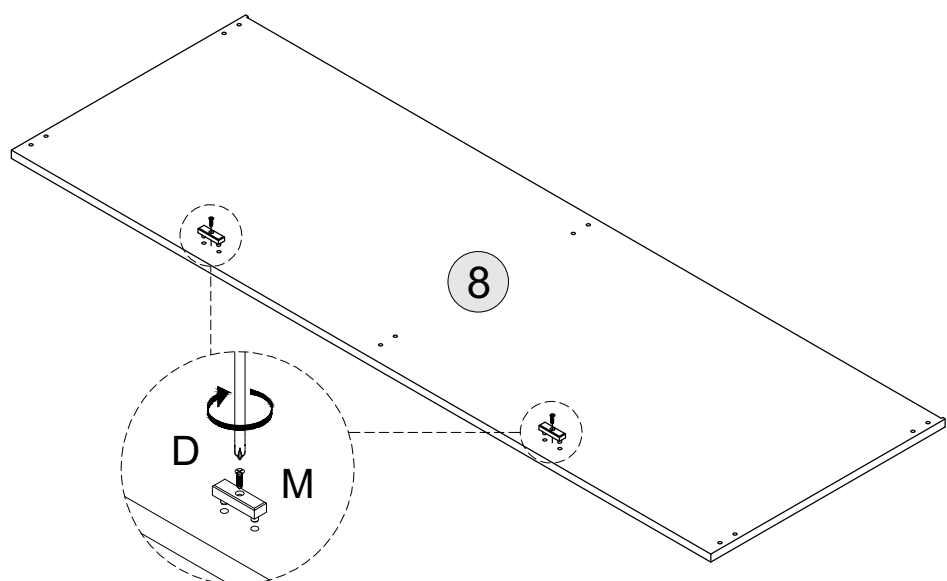
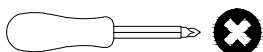
8 - TOP PANEL	x1
---------------	----

HARDWARE REQUIRED

D		02
---	---	----

M		02
---	---	----

TOOLS REQUIRED




STEP 7

PARTS REQUIRED

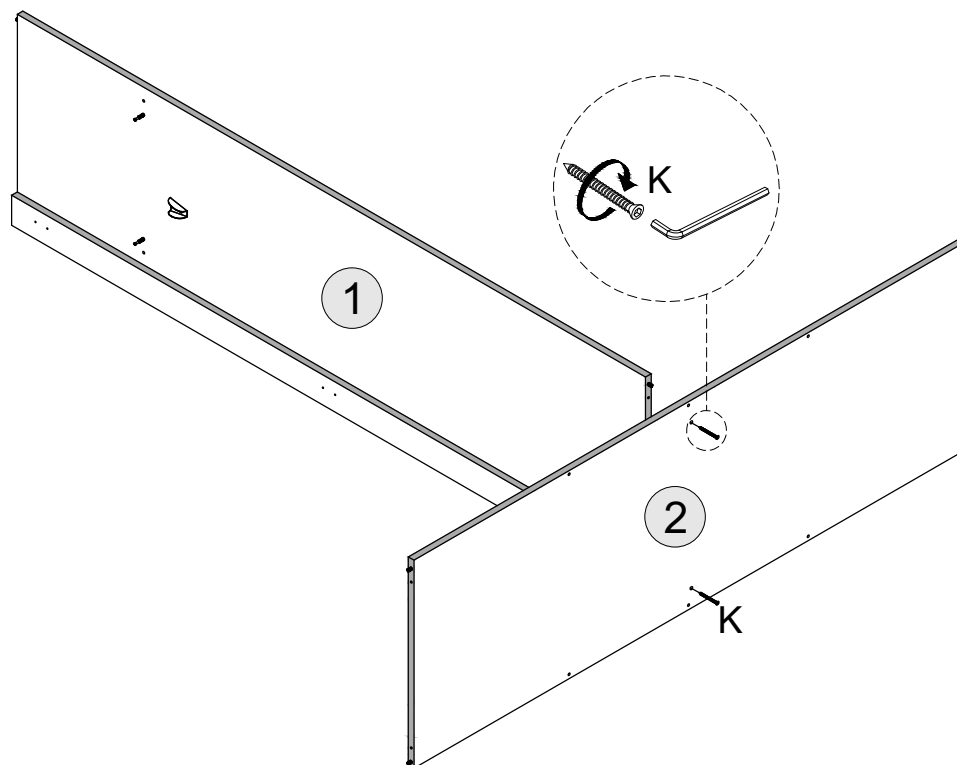
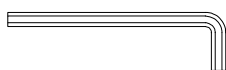
1 - CENTRE PANEL x1

2 - BOTTOM PANEL x1

HARDWARE REQUIRED

K  02

TOOLS REQUIRED

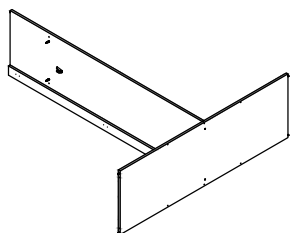


STEP 8

PARTS REQUIRED

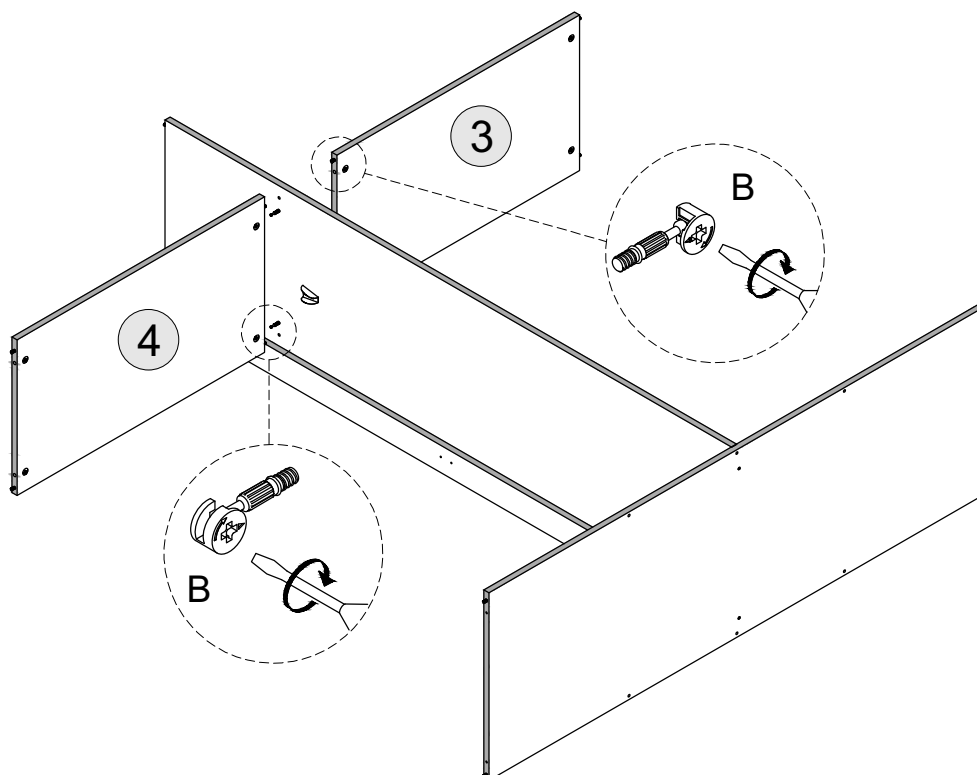
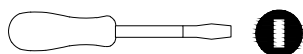
3 - SHELF PANEL - LEFT x1

4 - SHELF PANEL - RIGHT x1



HARDWARE REQUIRED

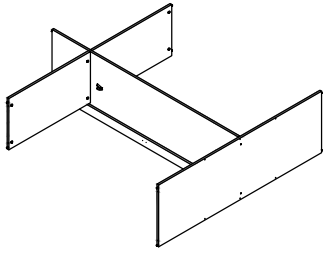
TOOLS REQUIRED



STEP 9

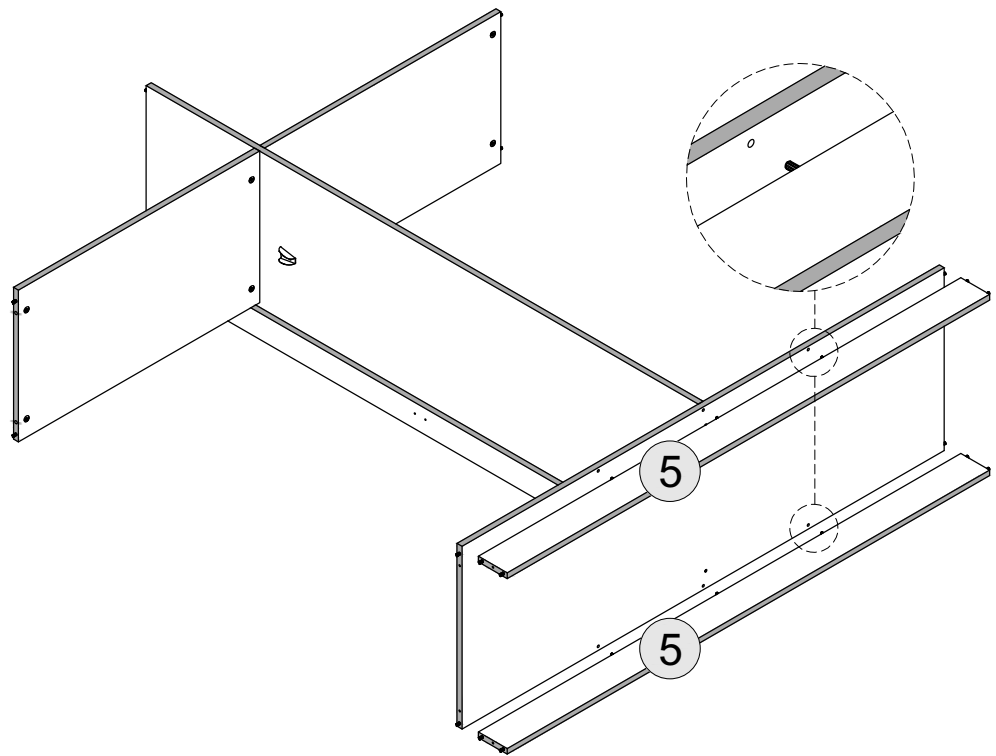
PARTS REQUIRED

5 - BASE APRON x2



HARDWARE REQUIRED

TOOLS REQUIRED

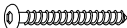


STEP 10

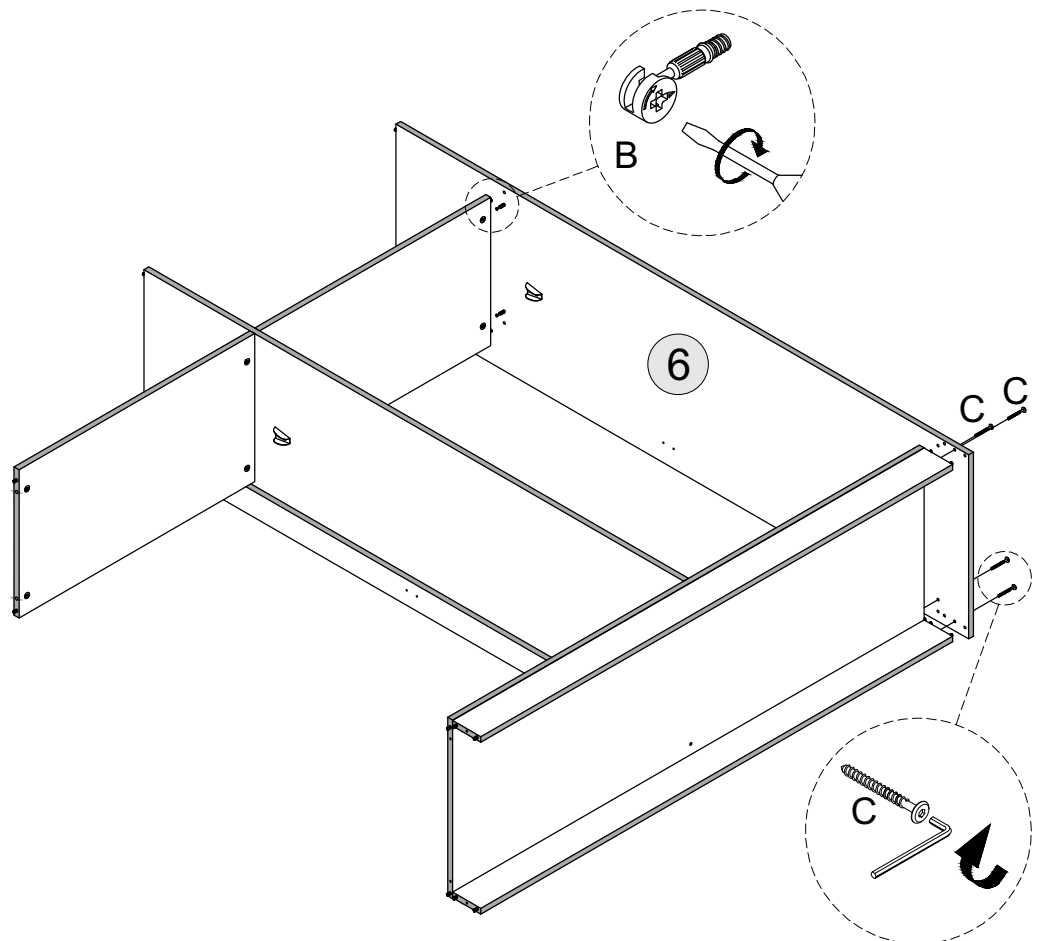
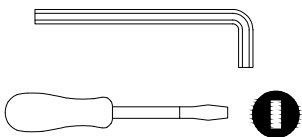
PARTS REQUIRED

6 - SIDE PANEL - LEFT x1

HARDWARE REQUIRED

C  04

TOOLS REQUIRED



STEP 11

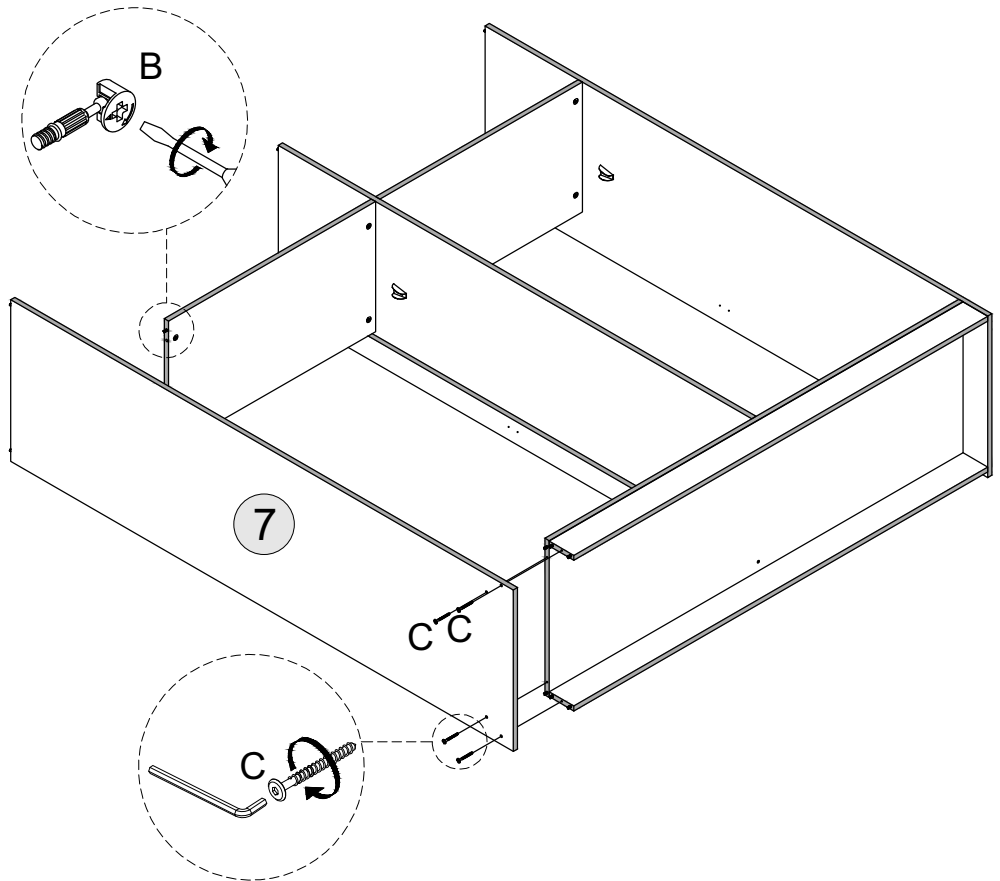
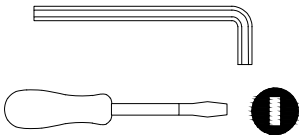
PARTS REQUIRED

7 - SIDE PANEL - RIGHT x1

HARDWARE REQUIRED

C  04

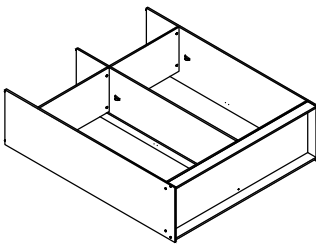
TOOLS REQUIRED



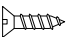
STEP 12


PARTS REQUIRED


8 - TOP PANEL x1



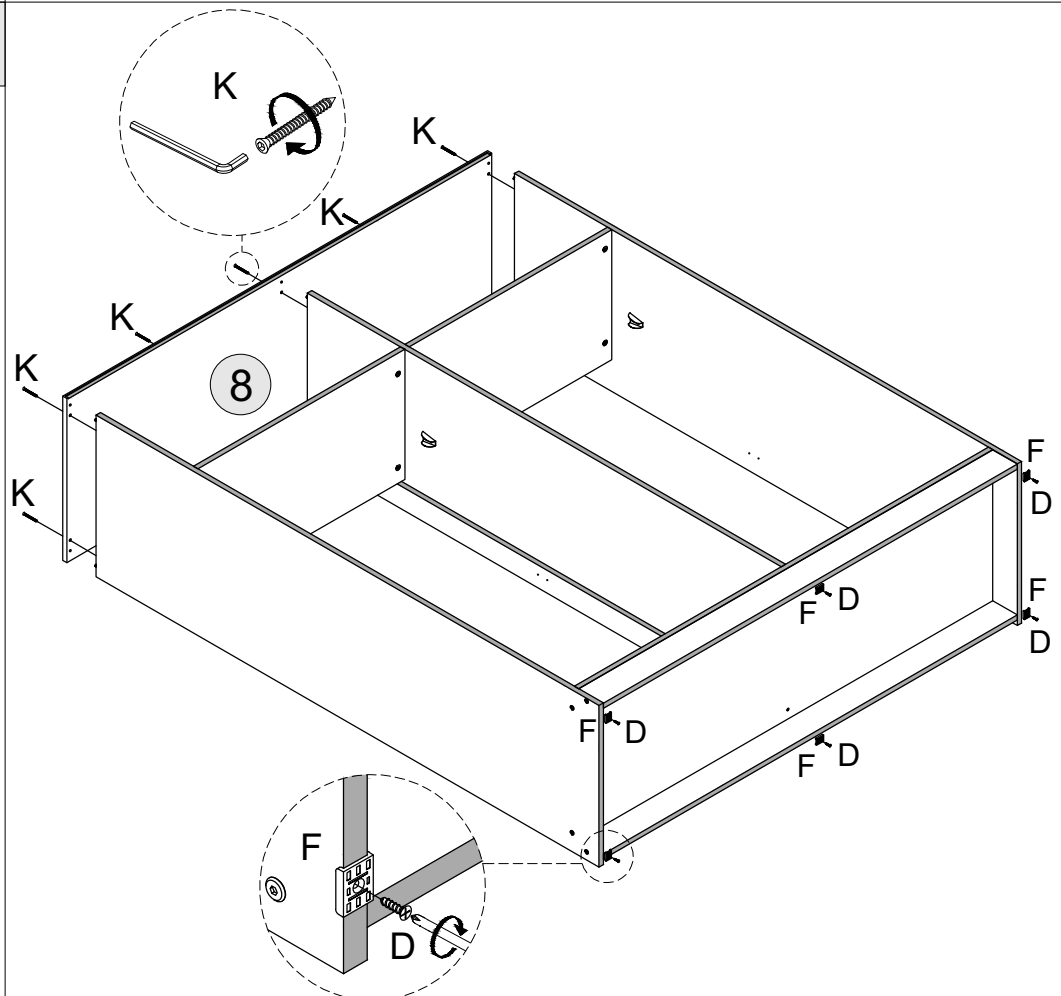
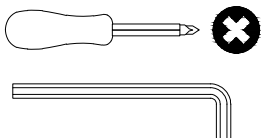
HARDWARE REQUIRED

D  06

F  06

K  06

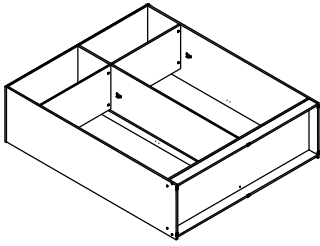
TOOLS REQUIRED



STEP 13

PARTS REQUIRED

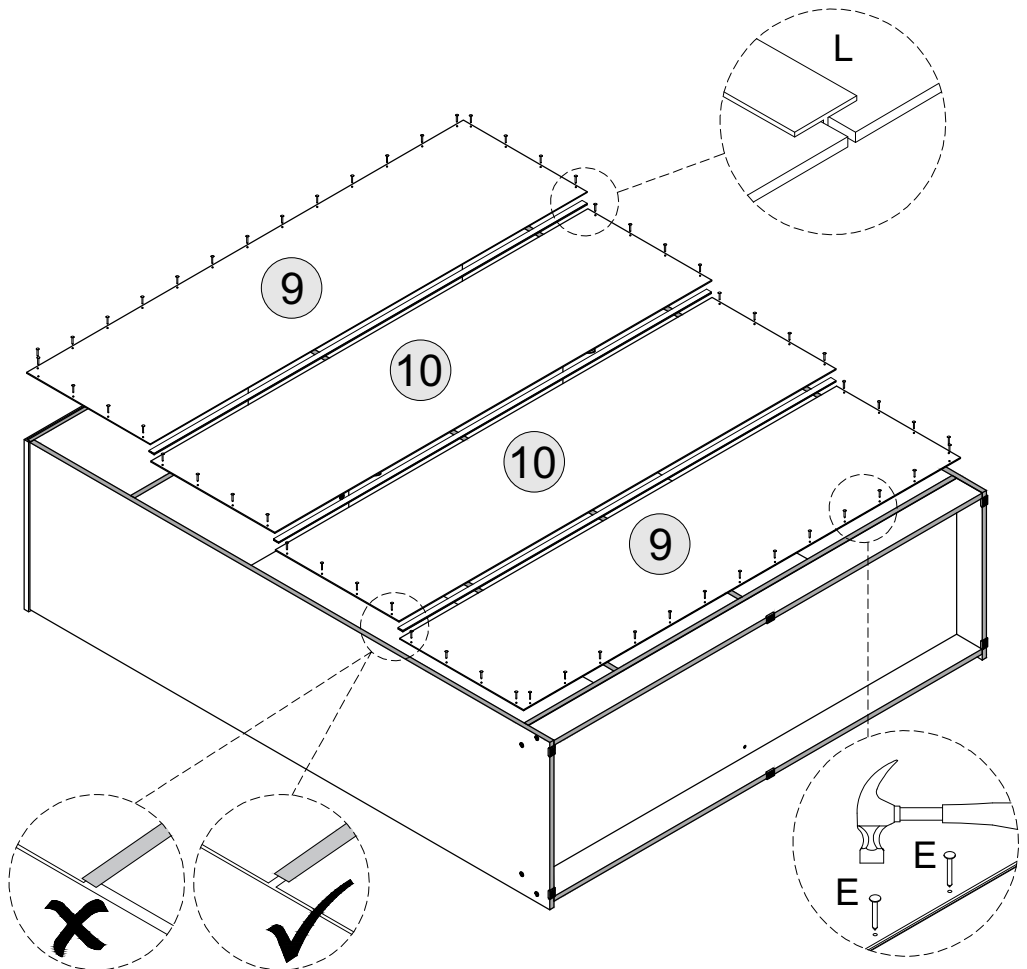
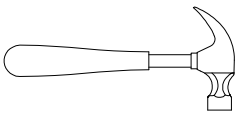
9 - BACK PANEL I	x2
10 - BACK PANEL II	x2



HARDWARE REQUIRED

E		58
L		03

TOOLS REQUIRED



STEP 14

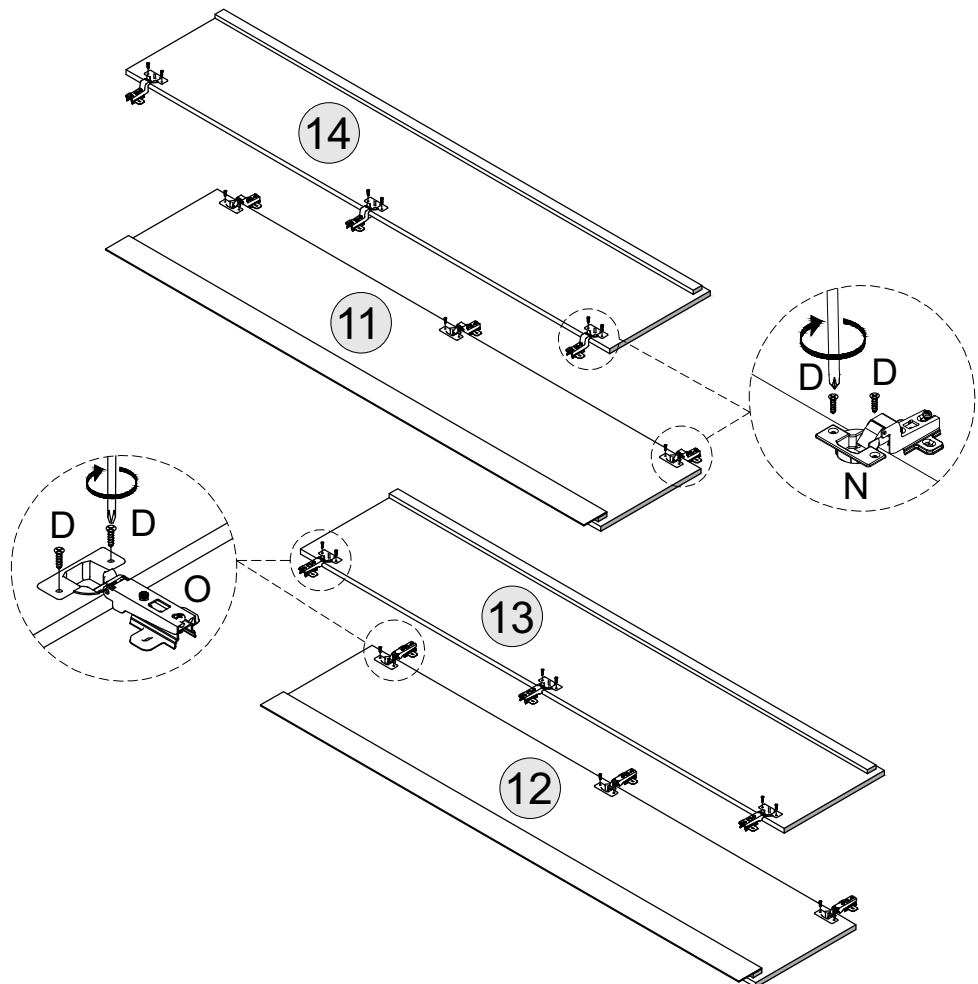
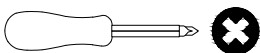
PARTS REQUIRED

11 - DOOR - LEFT	x1
12 - DOOR CENTRE - RIGHT	x1
13 - DOOR CENTRE - LEFT	x1
14 - DOOR - RIGHT	x1

HARDWARE REQUIRED

D		24
N		06
O		06

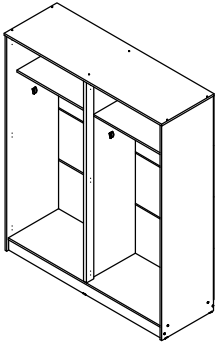
TOOLS REQUIRED



STEP 15

PARTS REQUIRED

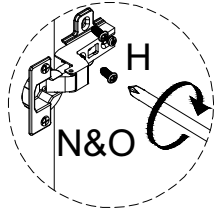
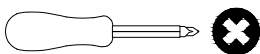
- 11 - DOOR - LEFT x1
- 12 - DOOR CENTRE - RIGHT x1



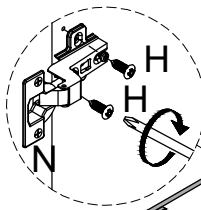
HARDWARE REQUIRED

- H 12
- J 02

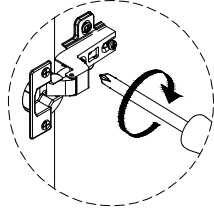
TOOLS REQUIRED



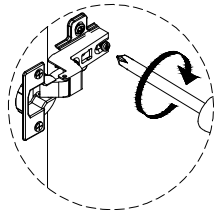
1. VERTICAL ADJUSTMENT VIA SLOT IN THE MOUNTING PLATE



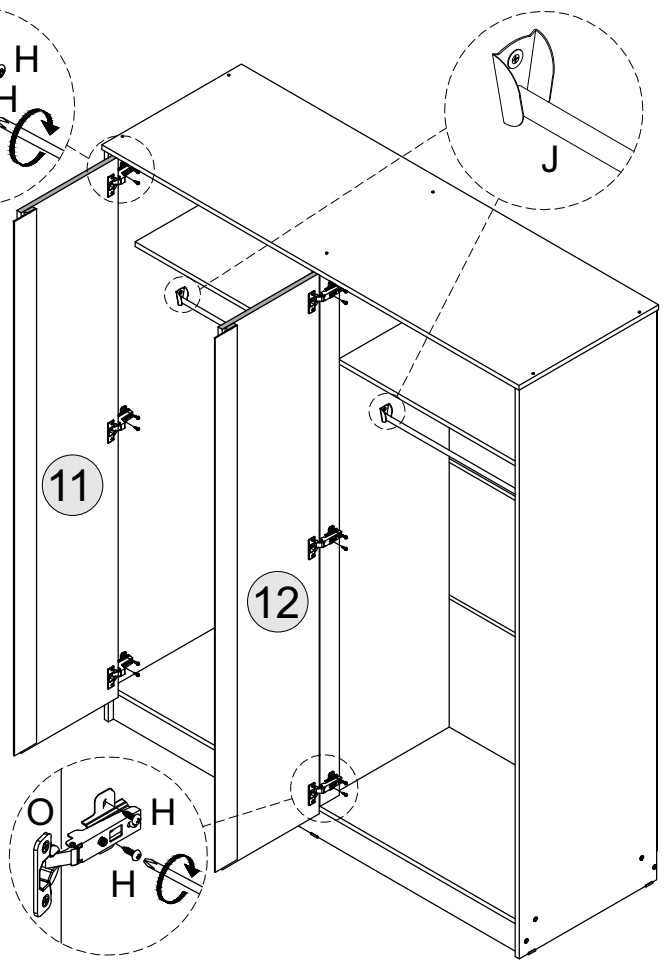
2. LATERAL ADJUSTMENT BY SCREW ADJUSTING



3. FRONT-TO-BACK BY THE SLACKING THE HINGE ARM MOUNTING SCREW



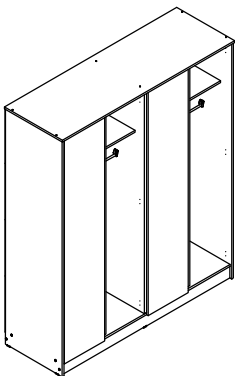
YOU SHOULD RE-ADJUST SCREWS AS SHOWN TO ALIGN DOOR ONCE HINGES HAVE BEEN ATTACHED.



STEP 16

PARTS REQUIRED

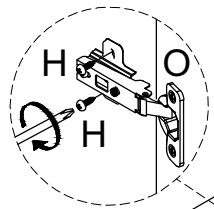
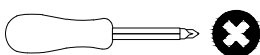
- 13 - DOOR CENTRE - LEFT x1
- 14 - DOOR - RIGHT x1



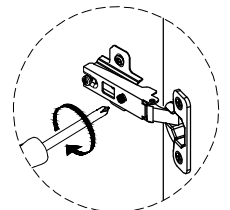
HARDWARE REQUIRED

- H 12

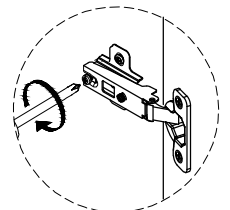
TOOLS REQUIRED



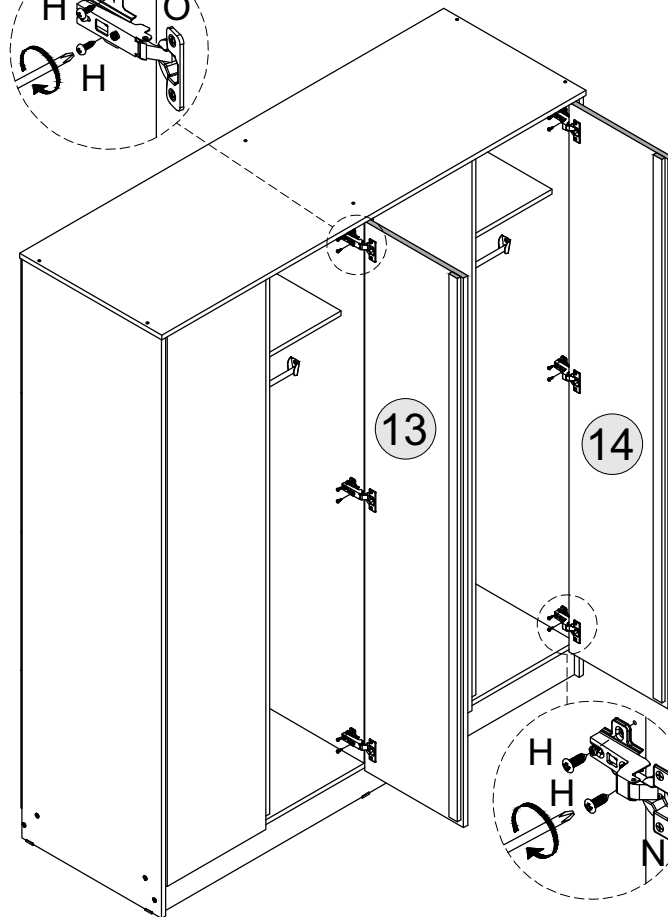
1. VERTICAL ADJUSTMENT VIA SLOT IN THE MOUNTING PLATE



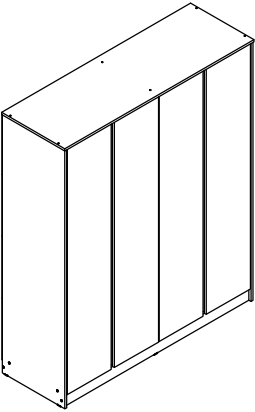
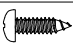
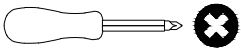
2. LATERAL ADJUSTMENT BY SCREW ADJUSTING



3. FRONT-TO-BACK BY THE SLACKING THE HINGE ARM MOUNTING SCREW



YOU SHOULD RE-ADJUST SCREWS AS SHOWN TO ALIGN DOOR ONCE HINGES HAVE BEEN ATTACHED.

STEP 17PART REQUIREDHARDWARE REQUIREDQ  02R  02TOOLS REQUIRED**WARNING**

Serious or fatal injuries can occur from furniture tipping over. To prevent the furniture from tipping over we recommend that it is permanently fixed to the wall.

Wall fixings are not supplied with this product as different wall materials require different types of fixing devices. Please make sure you use fixings suitable for the walls in your home.

