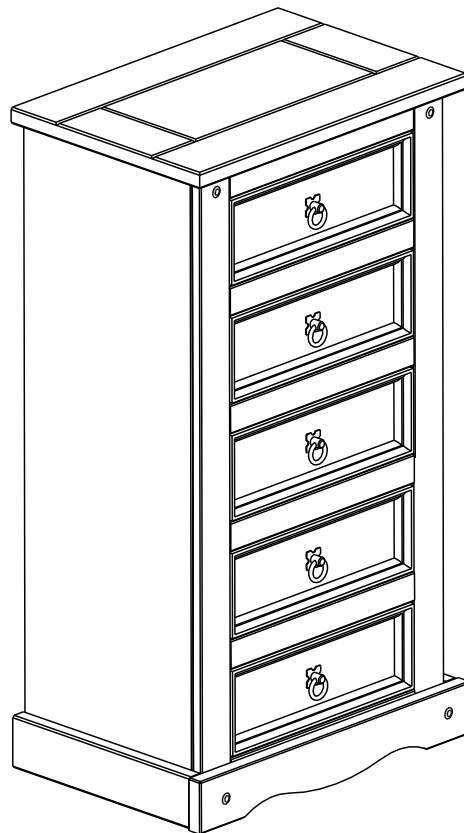


Corona 5 Drawer Narrow Chest

ASSEMBLY INSTRUCTIONS

Is for domestic use and
strictly not for contract use.



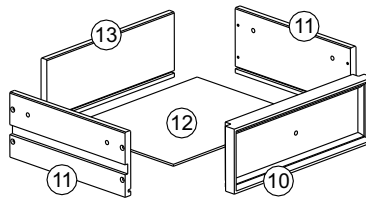
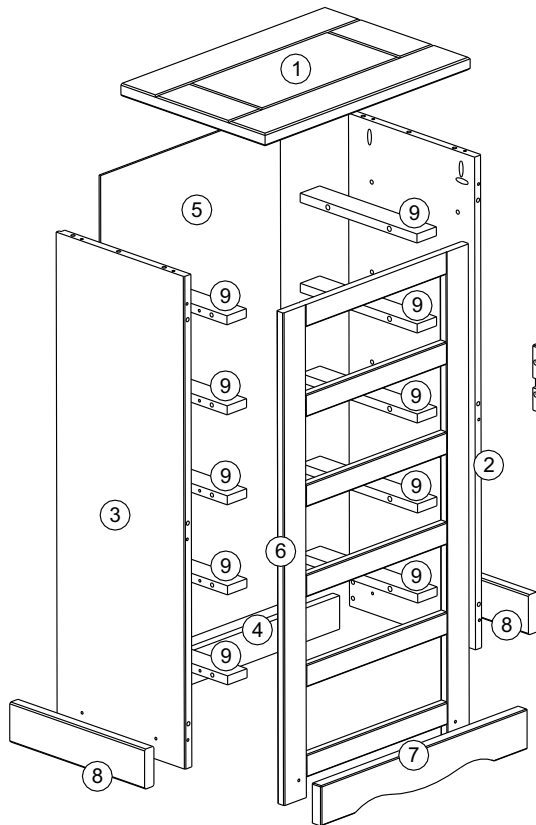
IMPORTANT

**PLEASE READ BEFORE YOU CONTINUE FURTHER
FOR DOMESTIC USE ONLY**

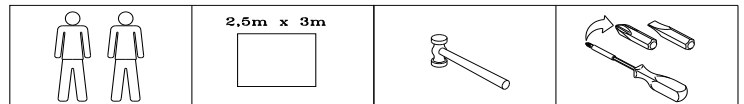
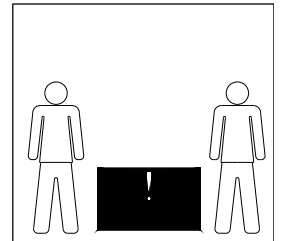
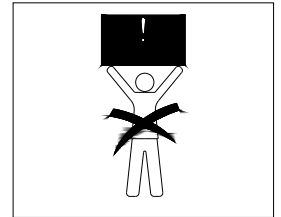
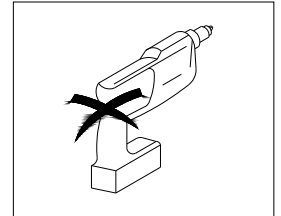
CARE AND MAINTENANCE

After unpacking this product please keep the original packaging in case it needs to be returned for any reason.

- Please ensure all fittings and parts are present before commencing with assembly.
- We recommend that you lay a blanket or sheet on the floor to avoid damage to both your floor and the product.
- We strongly recommend that you keep children away from your work area.
- Assemble this product as close to its final position as possible.
- Never drag or push products as this could cause damage to the joints making it inferior.
- Do not place this product next to a radiator or in direct sunlight.
- Wood is a natural product and may expand if subjected to damp and may shrink or crack if subjected to heat. Therefore it is recommended that room temperature is maintained, with no sudden temperature fluctuations.
- Make sure any spillage is wiped off immediately.
- Do not place hot or chilled items directly on to the surface, use a place mat or marking will occur.
- For general cleaning use a duster, and do not use detergents of any kind. However, the surface will need to be retreated from time to time. This can be done by using block wax (unperfumed) and rubbing it over the whole item.
- From time to time it may be necessary to tighten fittings, regular inspections should be carried out.



(5x)



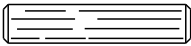
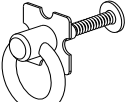
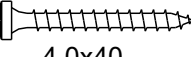

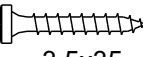
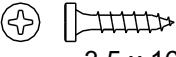
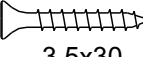

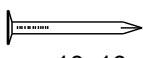


!
 * Use of power tools to assemble this product will invalidate any claim and damage this product making it unsafe !!!
 * Please assemble on a clean soft surface to avoid damage.

!
 * Please check contents and read the instructions before commencing assembly.
 * Assemble this product following the enclosed instructions carefully.
 * Please take care to avoid damaging panels during assembly.

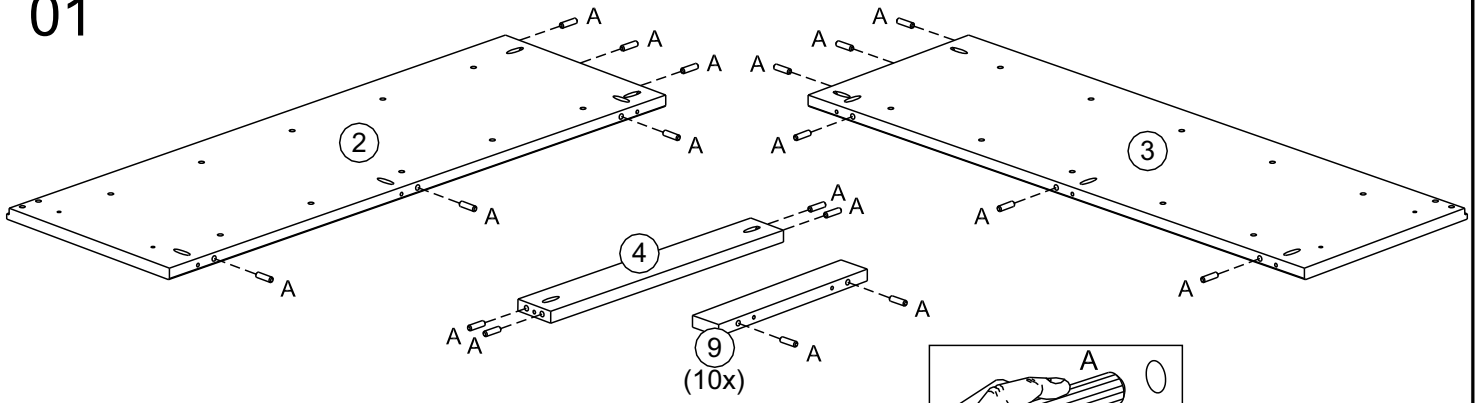
PARTS LIST

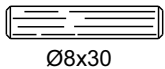
1	Top panel	01	8	Side Plinth	02
2	Right side panel	01	9	Drawer runner	10
3	Left side panel	01	10	Drawer front	05
4	Back crossbeam	01	11	Drawer side	10
5	Back panel	01	12	Drawer bottom	05
6	Front Frame	01	13	Drawer back	05
7	Front Plinth	01			

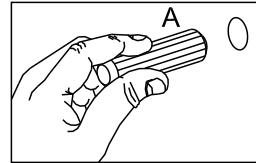
FITTINGS

A	 Ø8x30	46	F		05
B	 4,0x40	20	G		04
C	 3,5x35	18	H	 3,5 x 16	04
D	 3,5x30	40	I	 1x	01
E	 10x10	22		 2x	
				 1x	

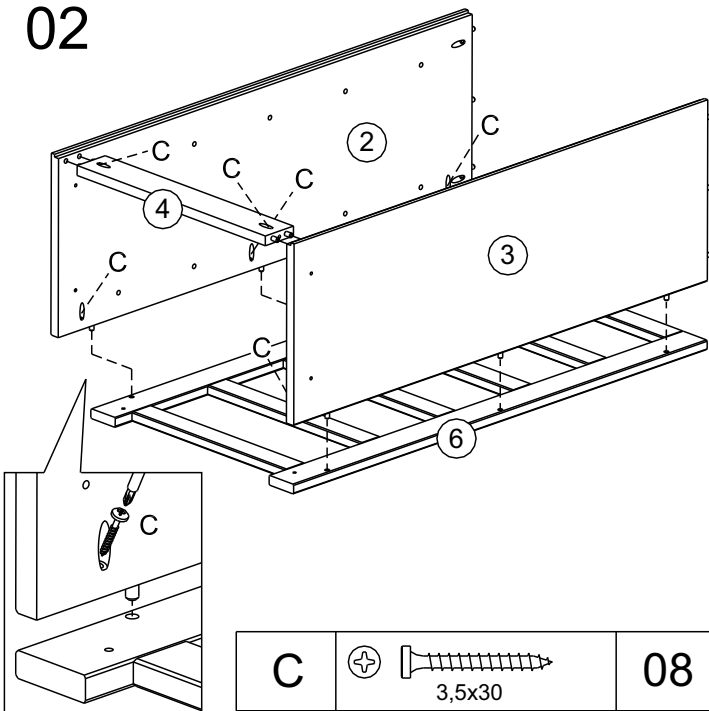
01

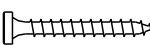


A	 <p>Ø8x30</p>	36
---	--	----

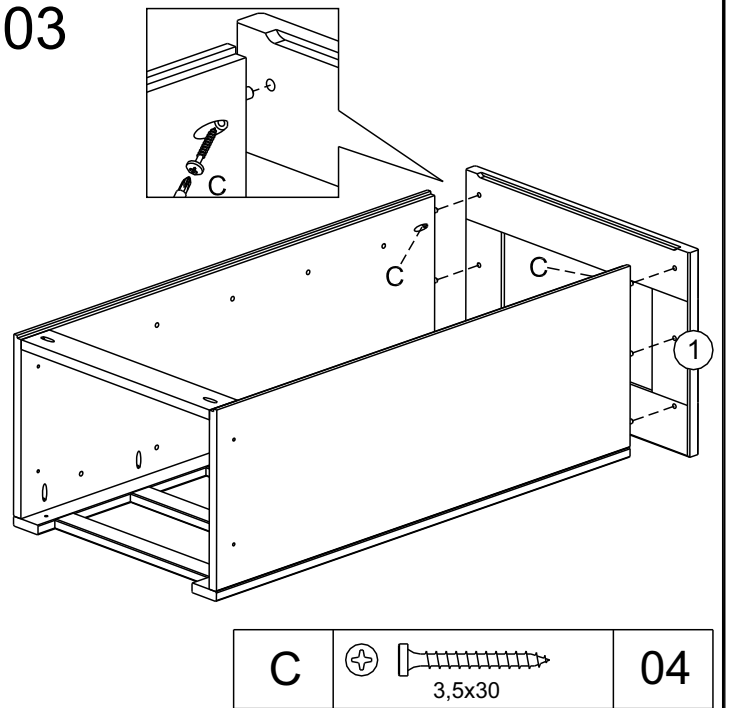


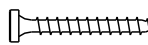
02



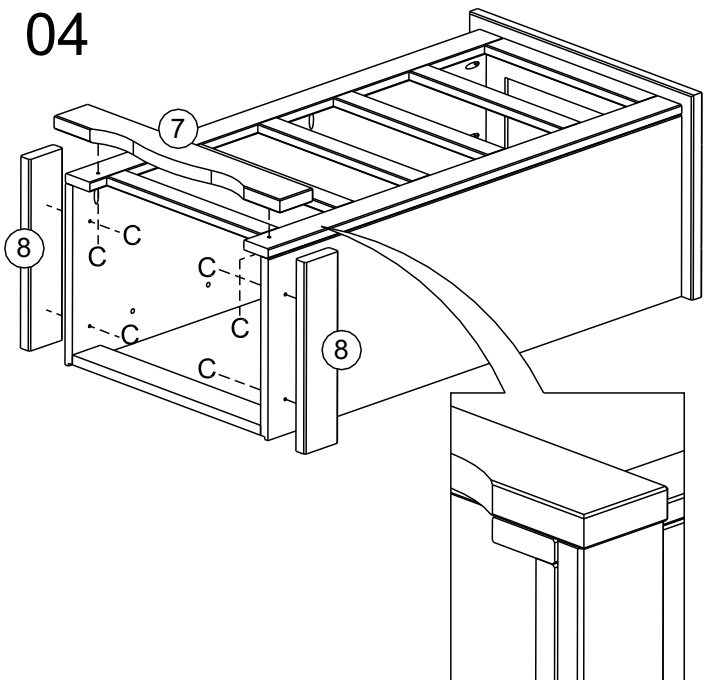
C	 <p>3,5x30</p>	08
---	---	----

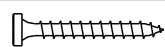
03



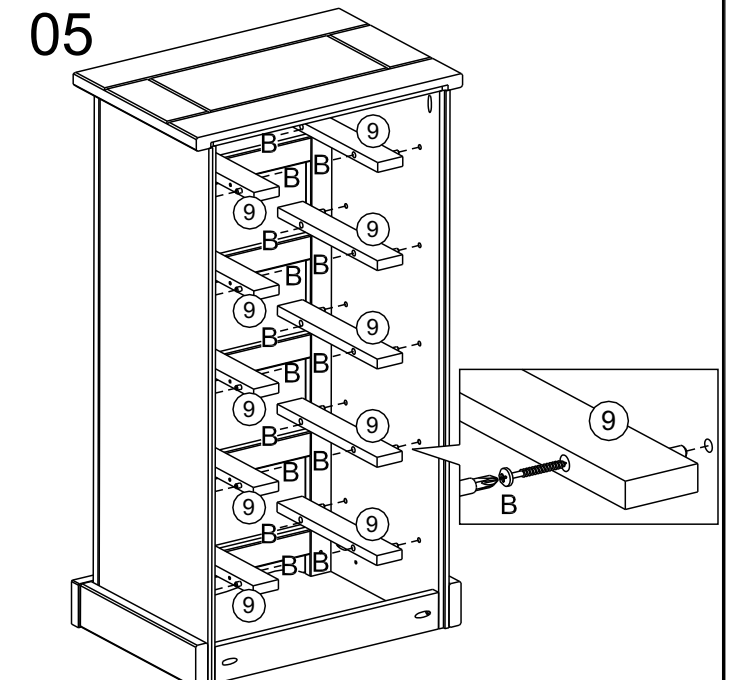
C	 <p>3,5x30</p>	04
---	---	----

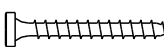
04



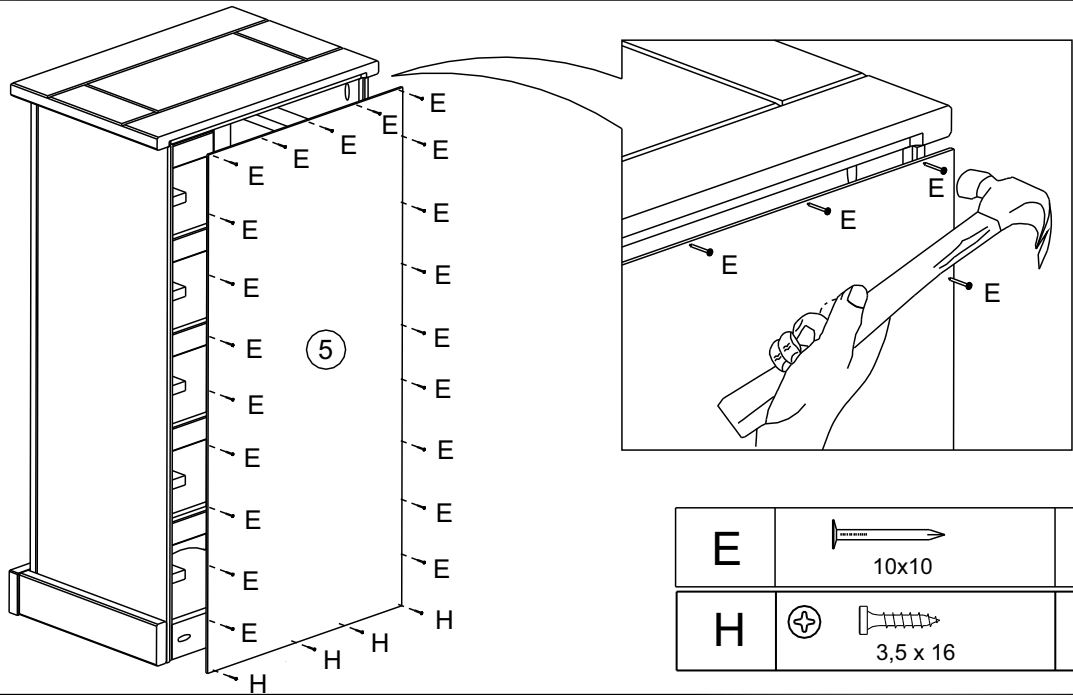
C	 <p>3,5x30</p>	06
---	---	----

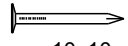
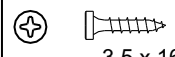
05



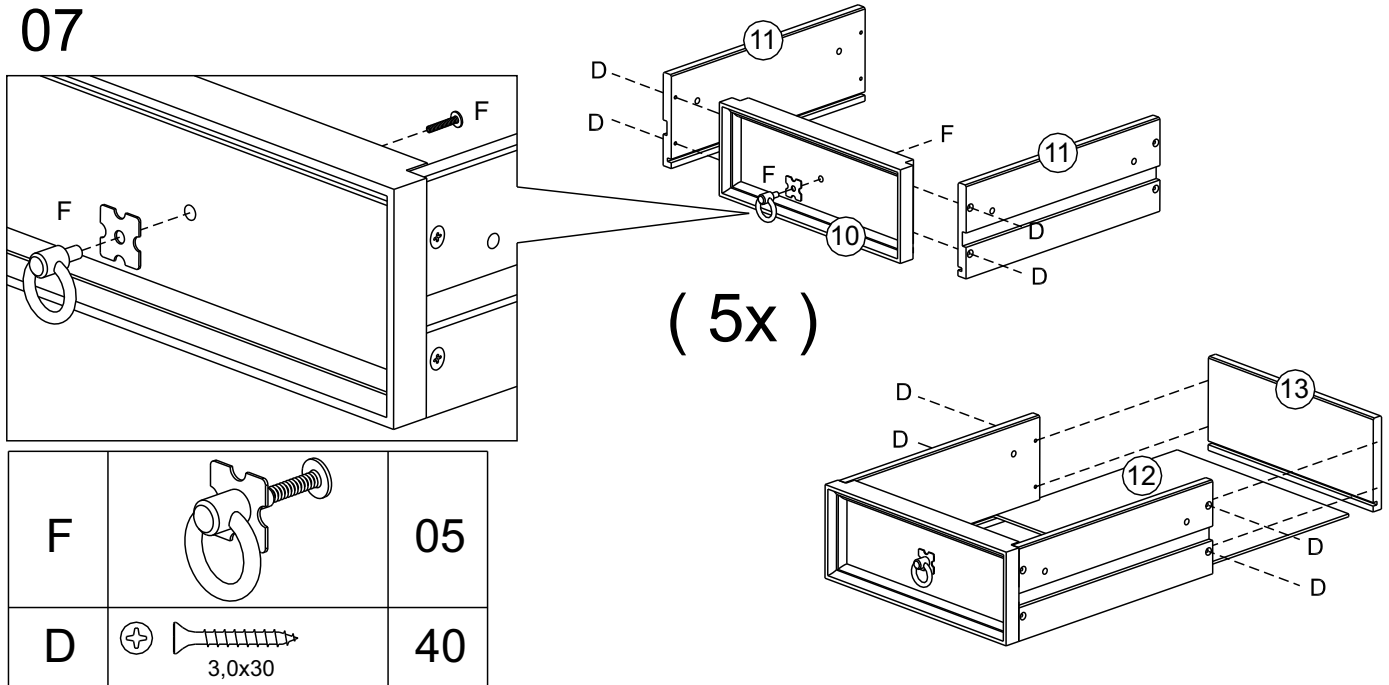
B	 <p>4,0x40</p>	20
---	--	----


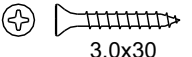
06



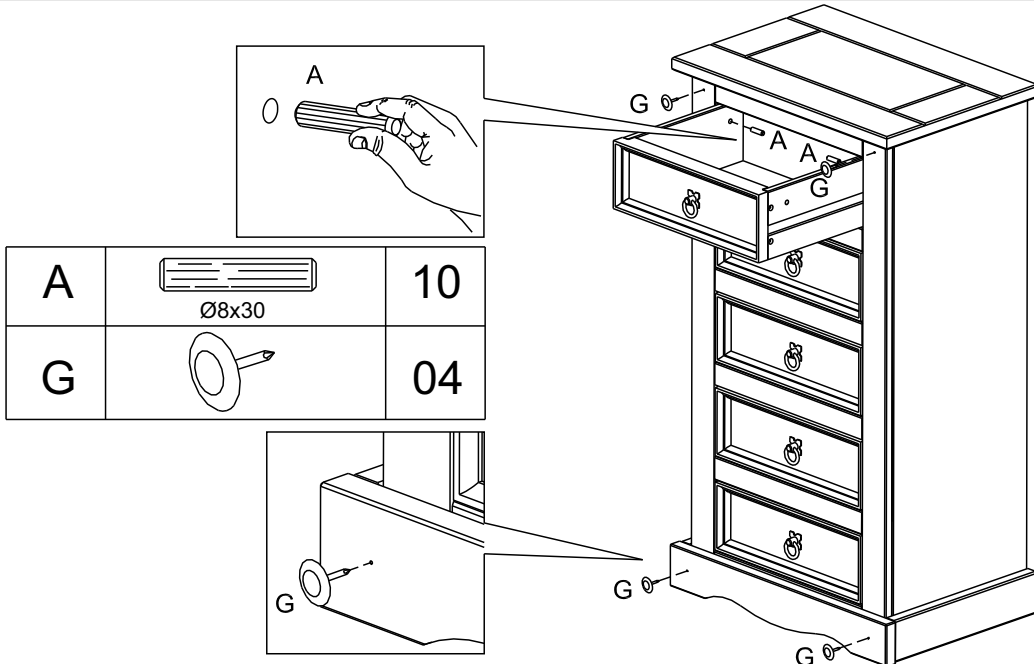
E	 10x10	22
H	 3,5 x 16	04

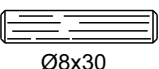

07



F		05
D	 3,0x30	40

08



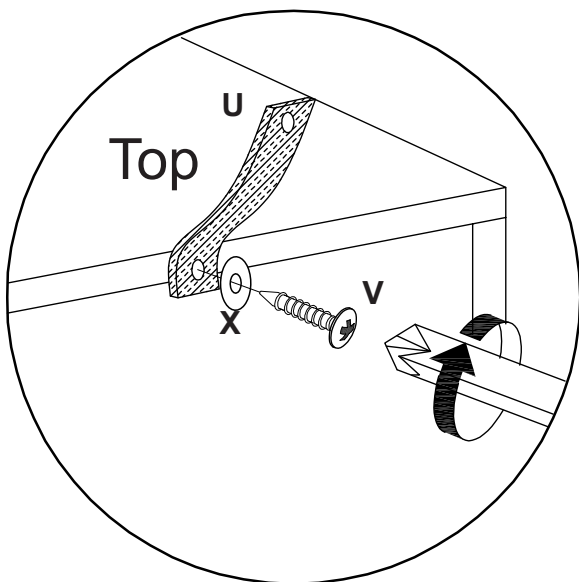
A	 Ø8x30	10
G		04

WARNING

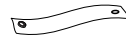
Serious or fatal injuries can occur from furniture tipping over. To prevent the furniture from tipping over we recommend that it is permanently fixed to the wall.

Wall fixings are not supplied with this product as different wall materials require different types of fixing devices.

Please make sure you use fixings suitable for the walls in your home.



I - HARDWARE LIST



Strap (Anti-Tip Kit)
(1x)



Wood Screw (Anti-Tip Kit)
3,5 x 25mm (1x)



Washer (Anti-Tip Kit)
(2x)

