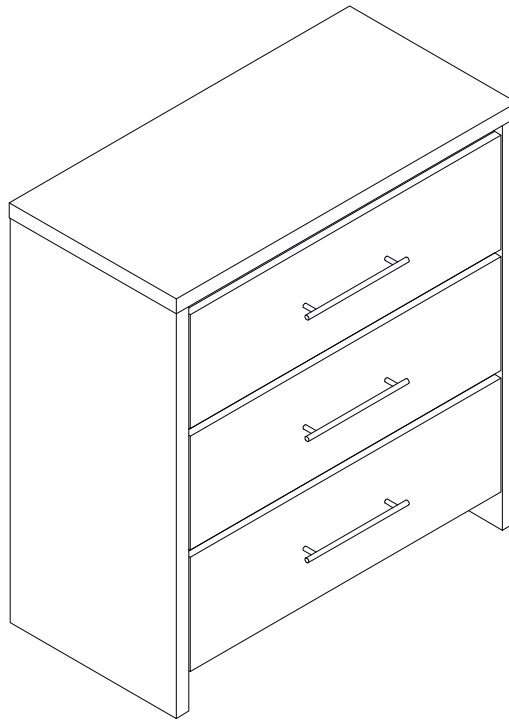


GREY GLOSS SEVILLE 3 DRAWER CHEST ASSEMBLY INSTRUCTIONS



**FOR DOMESTIC USE ONLY
IMPORTANT**

PLEASE READ BEFORE YOU CONTINUE FURTHER

THE PRODUCT YOU HAVE PURCHASED WILL GIVE YOU MANY YEARS OF SERVICE IF YOU FOLLOW THE GUIDELINES FOR ITS SAFE ASSEMBLY AND PERIODIC MAINTENANCE AND CLEANING.

ASSEMBLE ON A SOFT CLEAN SURFACE.

DO NOT USE ANY TOOLS OTHER THAN THOSE SHOWN.

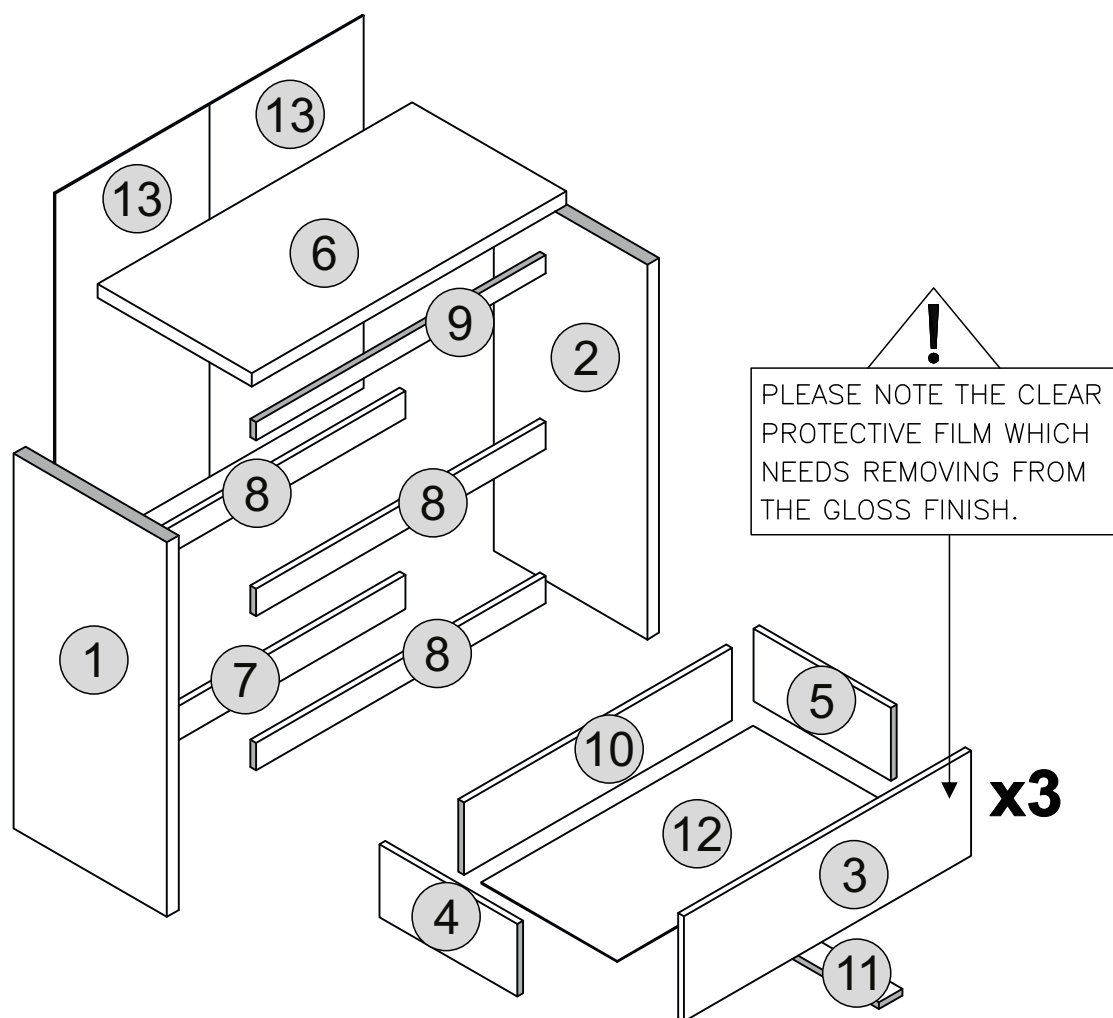
ANY SPANNERS OR ALLEN KEYS REQUIRED ARE INCLUDED WITH THE FITTING KIT.

DO NOT FOR ANY REASON USE A POWER TOOL TO ASSEMBLE THIS PRODUCT. ITS USE WILL INVALIDATE ANY CLAIM YOU MAY HAVE AND COULD MAKE THIS PRODUCT UNSAFE.

DEPENDING ON THE AMOUNT OF USE THIS PRODUCT RECEIVES, IT MAY BE NECESSARY TO TIGHTEN UP THE FIXINGS FROM TIME TO TIME. THIS IS COMPLETELY NORMAL FOR ANY FLAT PACK FURNITURE. DO NOT OVERTIGHTEN FIXINGS.

FOR CLEANING, YOU MAY USE A DAMP CLOTH (NOT WET). DO NOT USE POLISH, DETERGENT OR CHEMICAL CLEANERS.

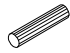
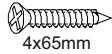

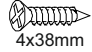

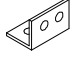



THIS SURFACE OF THIS ITEM IS NOT HEAT RESISTANT. ALWAYS USE A PLACE MAT UNDER HOT OR COLD ITEMS TO PREVENT MARKING.



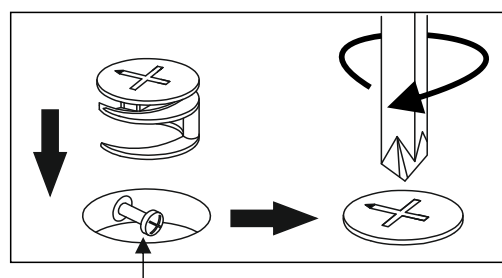
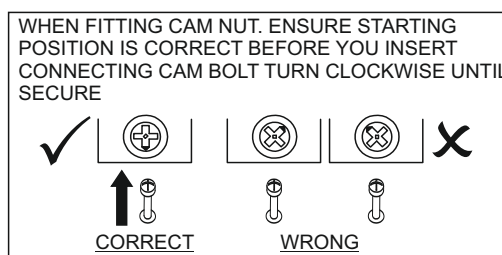
PART LIST

Part Number	Part Code	Part Description	Quantity	Carton
1	S100-102-071-ZF1-01	Left Side Panel	1	1/1
2	S100-102-071-ZF1-02	Right Side Panel	1	1/1
3	S100-102-071-ZF1-03	Drawer Front	3	1/1
4	S100-102-071-ZF1-04	Left Drawer Side	3	1/1
5	S100-102-071-ZF1-05	Right Drawer Side	3	1/1
6	S100-102-071-ZF1-06	Top Panel	1	1/1
7	S100-102-071-ZF1-07	Crossbar Back	1	1/1
8	S100-102-071-ZF1-08	Support	3	1/1
9	S100-102-071-ZF1-09	Support Panel	1	1/1
10	S100-102-071-ZF1-10	Drawer Back	3	1/1
11	S100-102-071-ZF1-11	Drawer Support	3	1/1
12	S100-102-071-ZF1-12	Drawer Base	3	1/1
13	S100-102-071-ZF1-13	Back Panel	2	1/1

HARDWARE LIST

No.	Part Name		Qty
A	Wooden Dowel (6x25mm)		x22
B	65mm Screw (4x65mm)		x8
C	14mm Screw (3.5x14mm)		x30
D	38mm Screw (4x38mm)		x15
E	Cam Bolt (8032T)		x13
F	Cam Nut (1512)		x13
G	10" Handle (192mm)		x3
H	20mm Handle Screw		x6
I	14" Drawer Slide		x3
J	PVC L - Bracket		x1
K	Plastic Foot		x5
L	6/8" Nail		x40
M	Wall Fixation (4x20mm=1pc)		x1
N	Screw Cover (Sticker 12mm)		x8

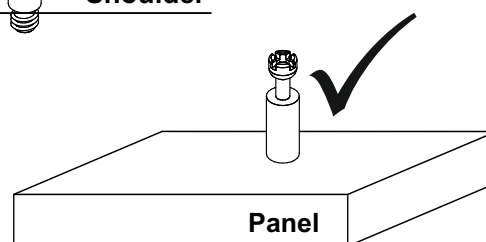
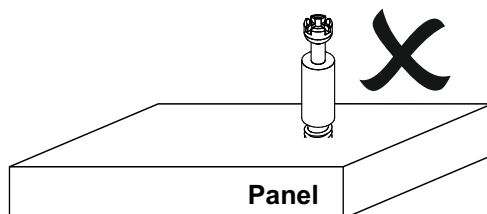
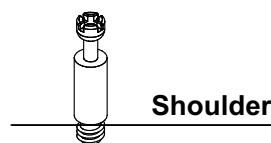
TIPS FOR FITTINGS CAM-LOCKS



Cam bolt head needs to be in centre

CAMBOLT

Tighten until shoulder in flush with panel. Do not overtighten or undertighten (see example below)



STEP 1


PARTS REQUIRED

1 - LEFT SIDE PANEL x1

2 - RIGHT SIDE PANEL x1

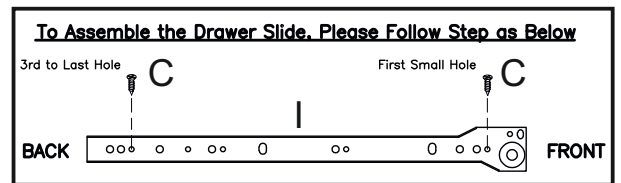
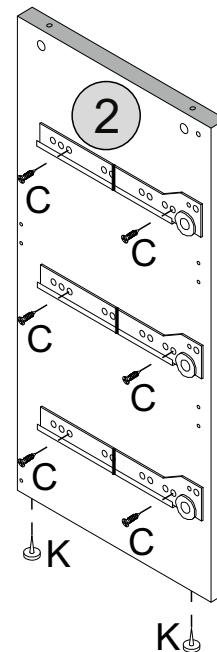
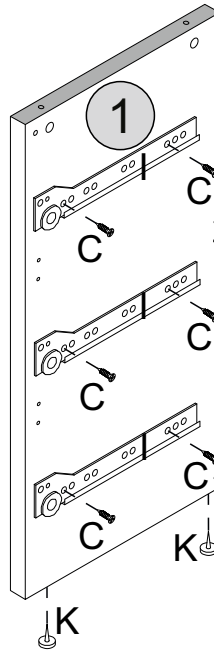
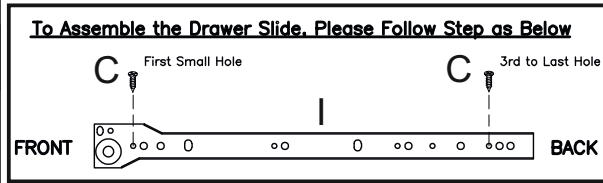
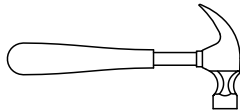
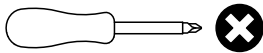
HARDWARE REQUIRED

C  3.5x14mm 12

I  03

K  04

TOOLS REQUIRED



STEP 2


PARTS REQUIRED

7 - CROSSBAR BACK x1

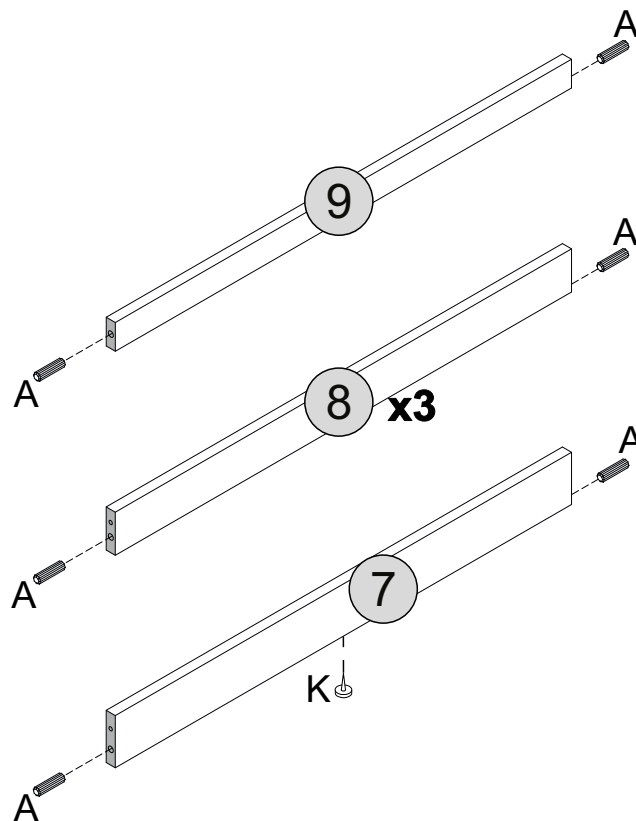
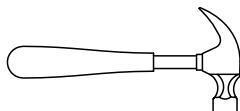
8 - SUPPORT x3

9 - SUPPORT PANEL x1

HARDWARE REQUIRED

A  10

TOOLS REQUIRED




STEP 3

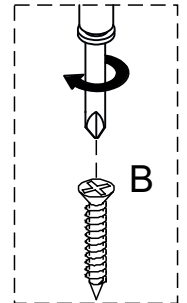
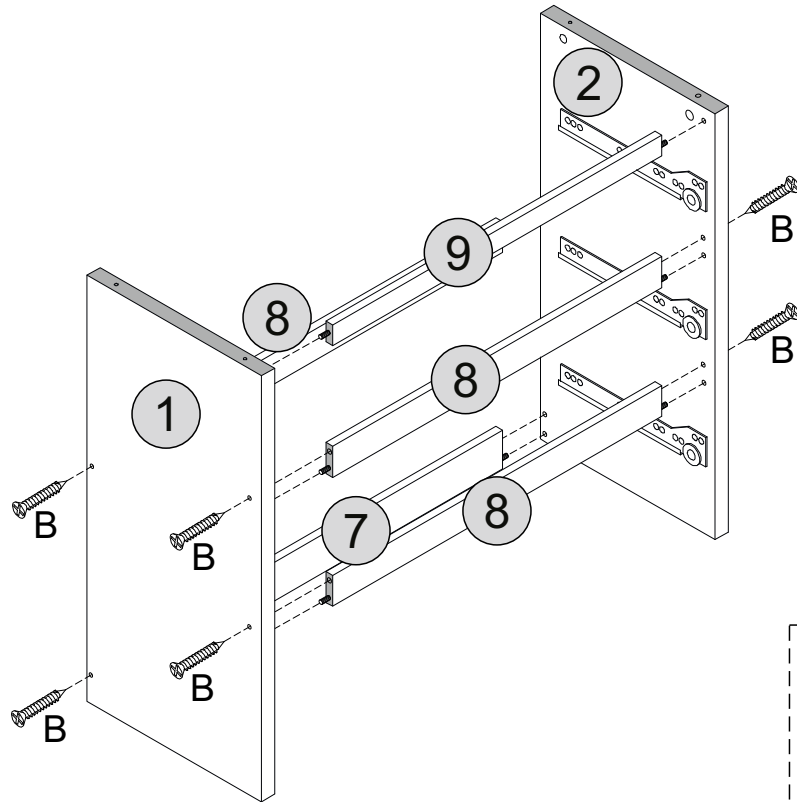
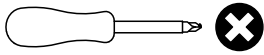
PARTS REQUIRED

1 - LEFT SIDE PANEL	x1
2 - RIGHT SIDE PANEL	x1
7 - CROSSBAR BACK	x1
8 - SUPPORT	x3
9 - SUPPORT PANEL	x1

HARDWARE REQUIRED

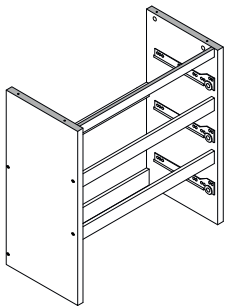
B		08
---	---	----

TOOLS REQUIRED




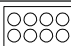
STEP 4

PARTS REQUIRED

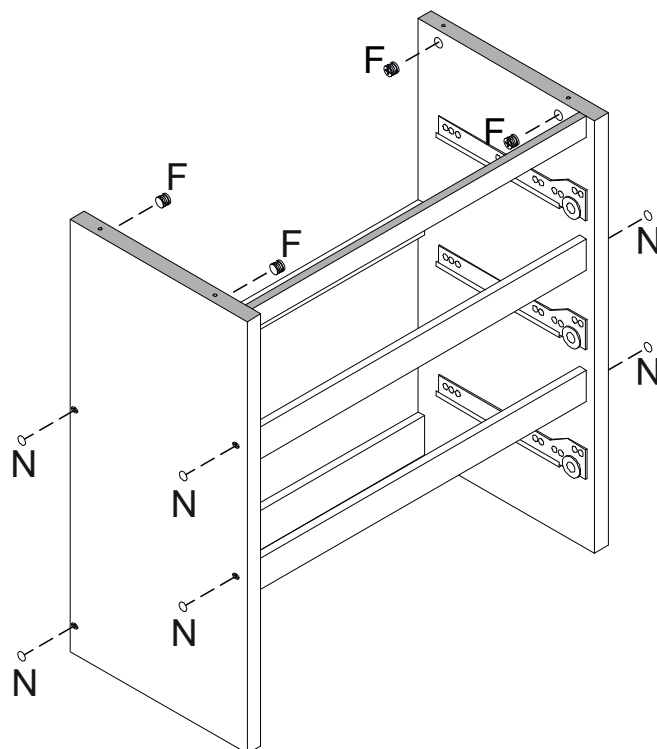


HARDWARE REQUIRED

F		04
---	---	----

N		08
---	---	----

TOOLS REQUIRED




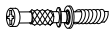
STEP 5

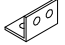
PARTS REQUIRED

6 - TOP PANEL x1

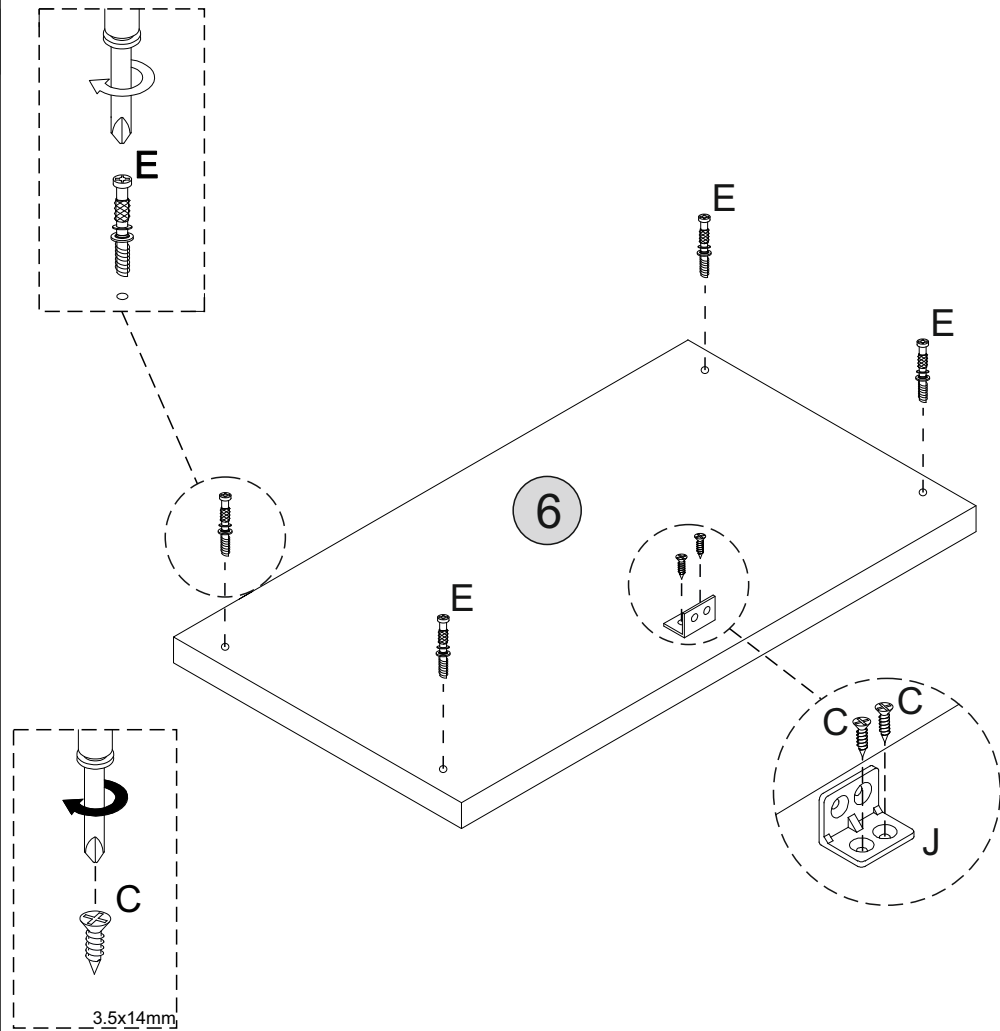
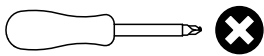
HARDWARE REQUIRED

C  02
3.5x14mm

E  04

J  01

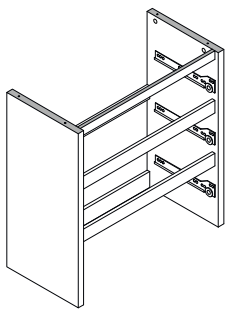
TOOLS REQUIRED




STEP 6

PARTS REQUIRED

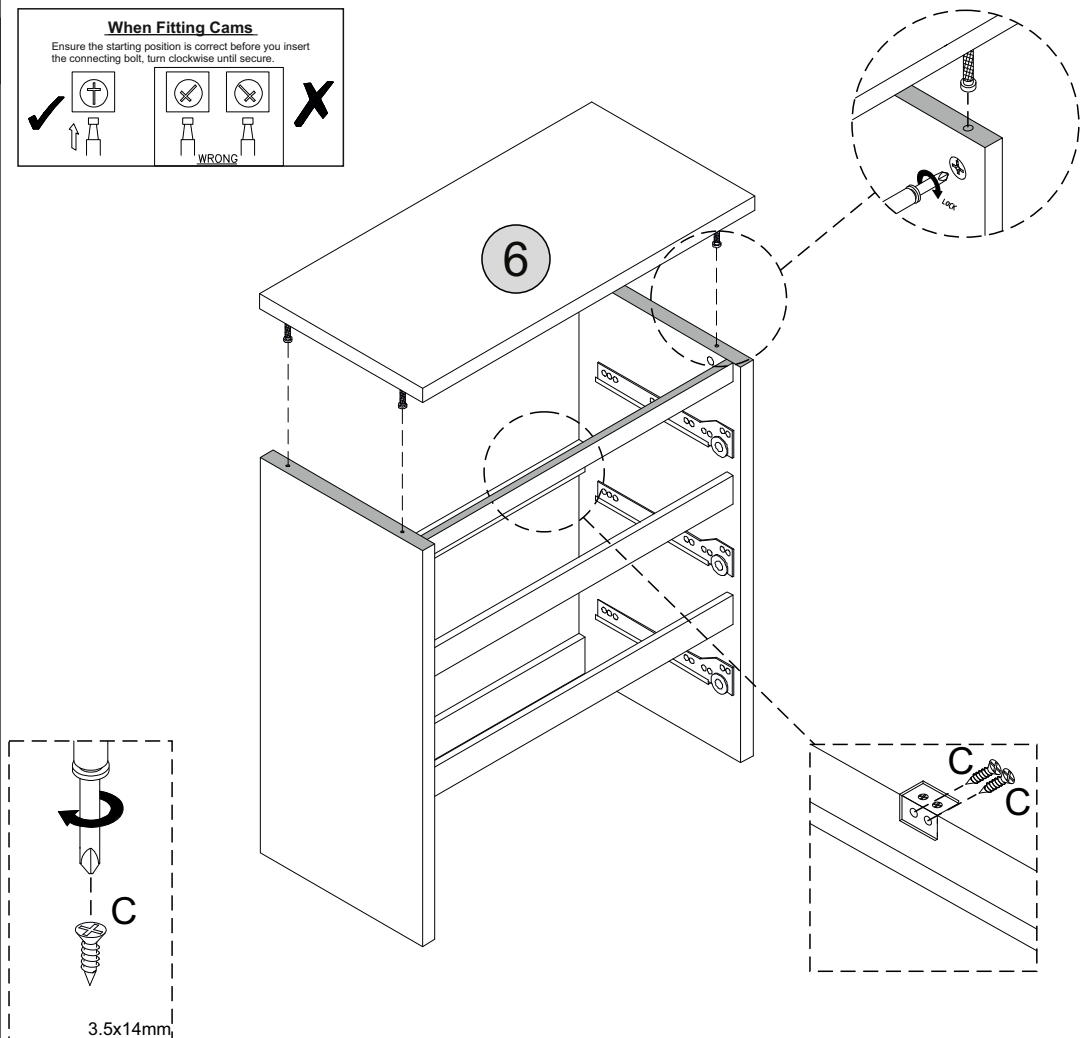
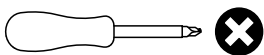
6 - TOP PANEL x1



HARDWARE REQUIRED

C  02
3.5x14mm

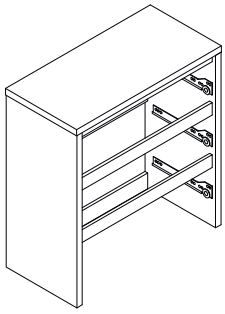
TOOLS REQUIRED



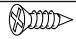
STEP 7


PARTS REQUIRED

13 - BACK PANEL x1

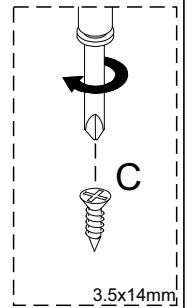
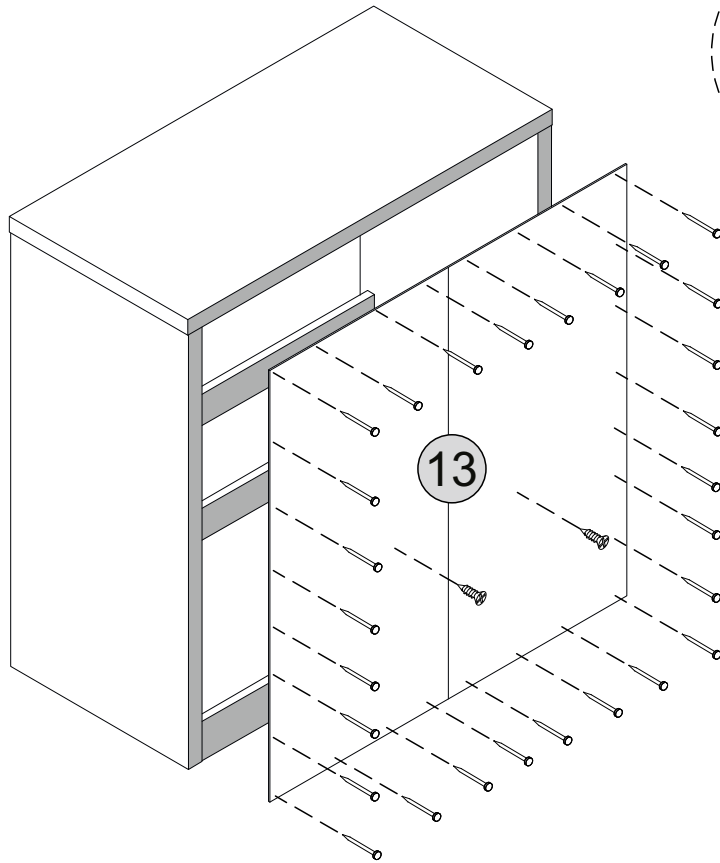
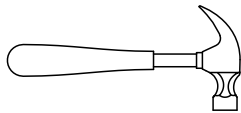
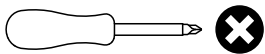


HARDWARE REQUIRED

C  02
3.5x14mm

L  40

TOOLS REQUIRED



STEP 8

PARTS REQUIRED

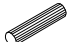
3 - DRAWER FRONT x3


4 - LEFT DRAWER SIDE x3

5 - RIGHT DRAWER SIDE x3

11 - DRAWER SUPPORT x3

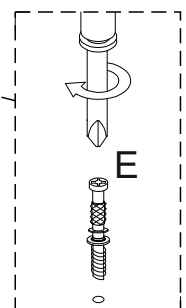
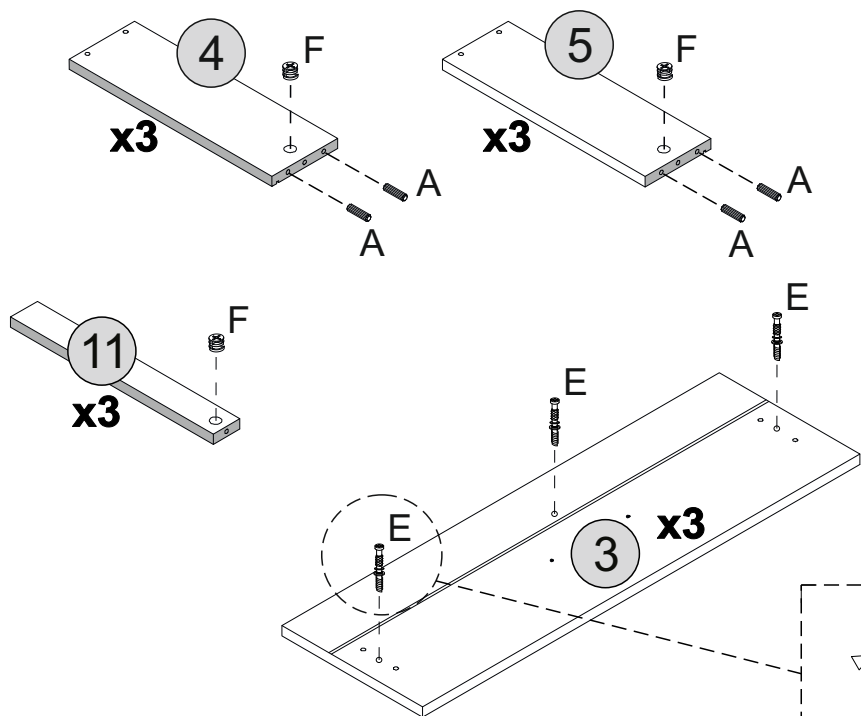
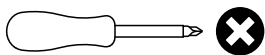
HARDWARE REQUIRED

A  12

E  09

F  09

TOOLS REQUIRED



STEP 9

PARTS REQUIRED

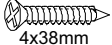
4 - LEFT DRAWER SIDE x3

5 - RIGHT DRAWER SIDE x3

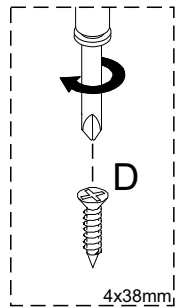
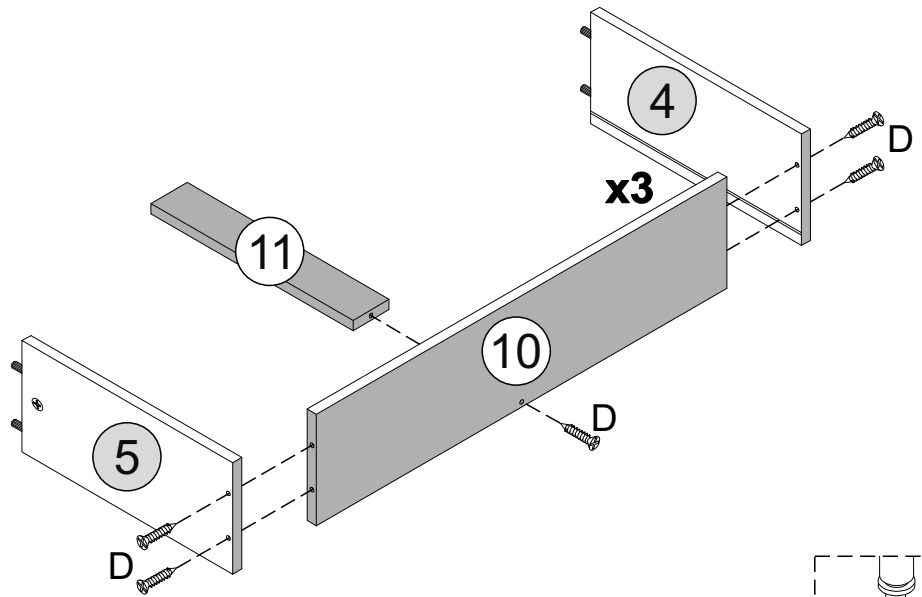
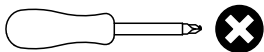
10 - DRAWER BACK x3

11 - DRAWER SUPPORT x3

HARDWARE REQUIRED

D  15

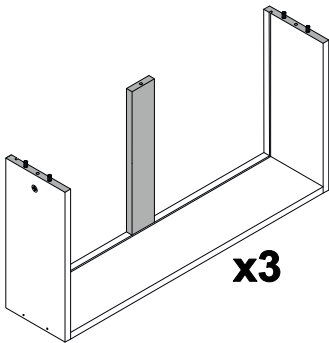
TOOLS REQUIRED



STEP 10

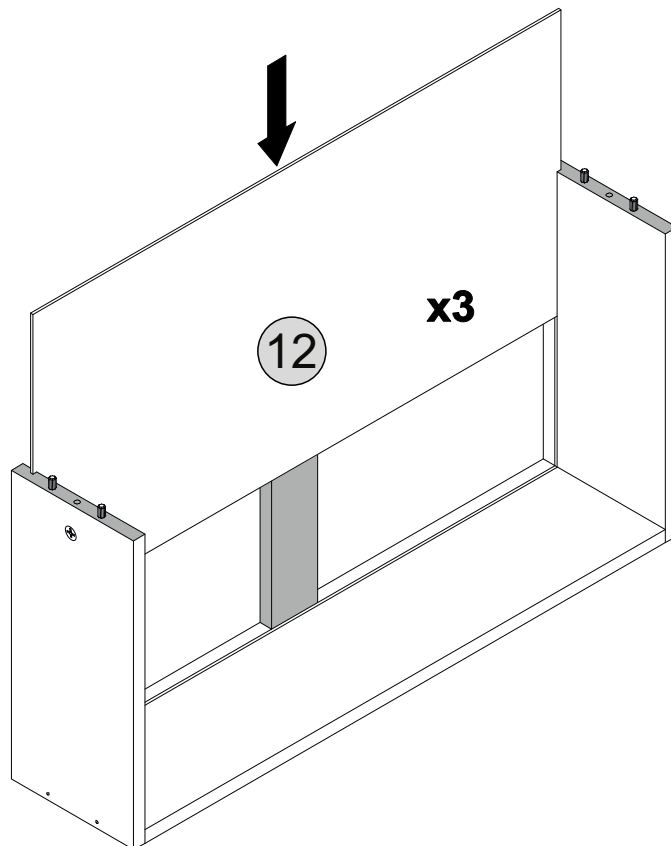
PARTS REQUIRED

12 - DRAWER BASE x3



HARDWARE REQUIRED

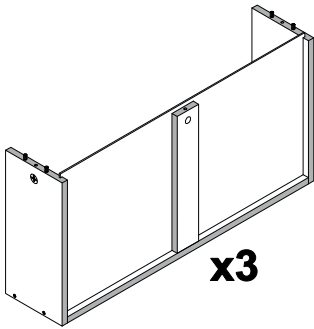
TOOLS REQUIRED



STEP 11

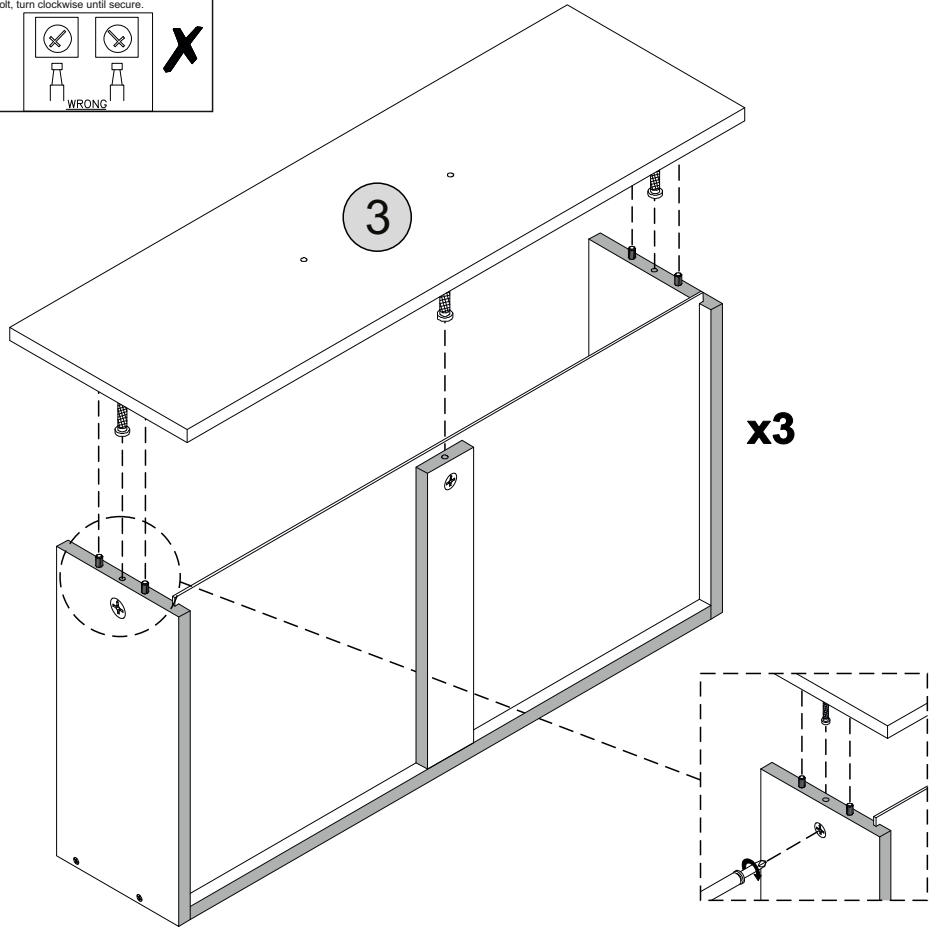
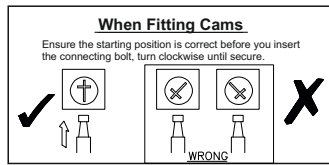
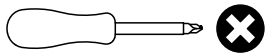
PARTS REQUIRED

3 - DRAWER FRONT x3



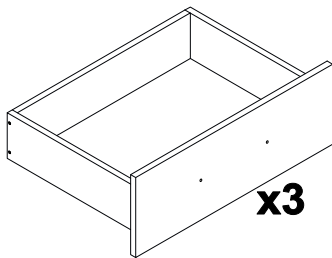
HARDWARE REQUIRED

TOOLS REQUIRED

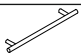


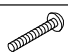
STEP 12

PARTS REQUIRED

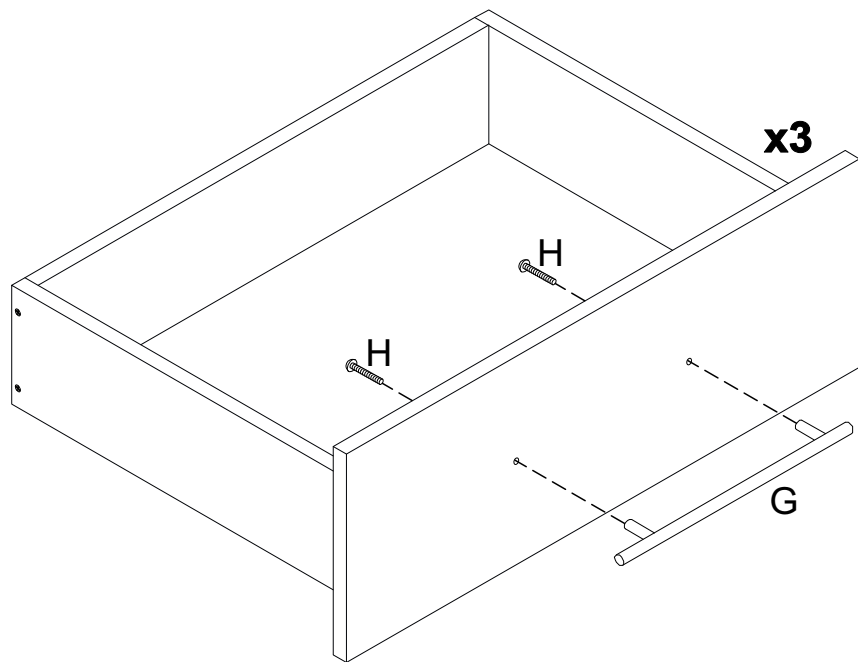
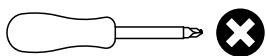


HARDWARE REQUIRED

G  03

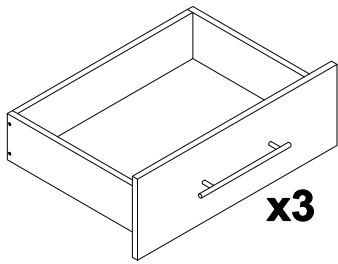
H  06

TOOLS REQUIRED

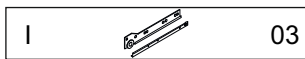
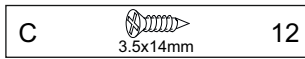


STEP 13

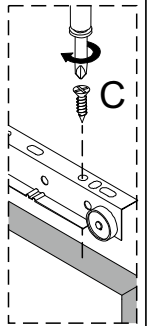
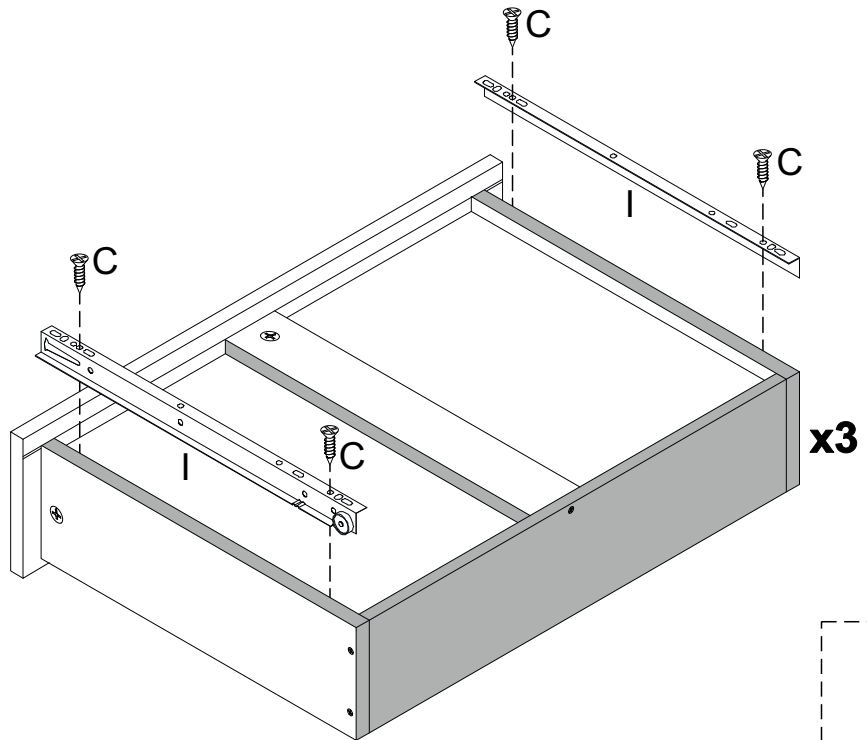
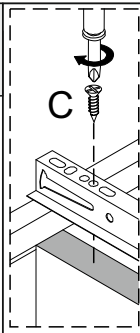
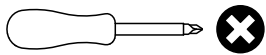
PARTS REQUIRED



HARDWARE REQUIRED

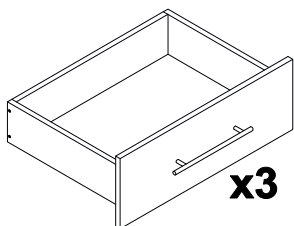
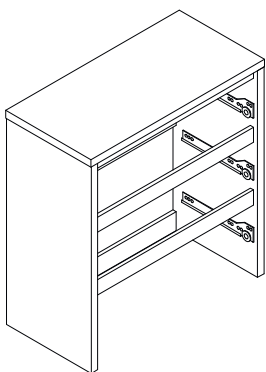


TOOLS REQUIRED



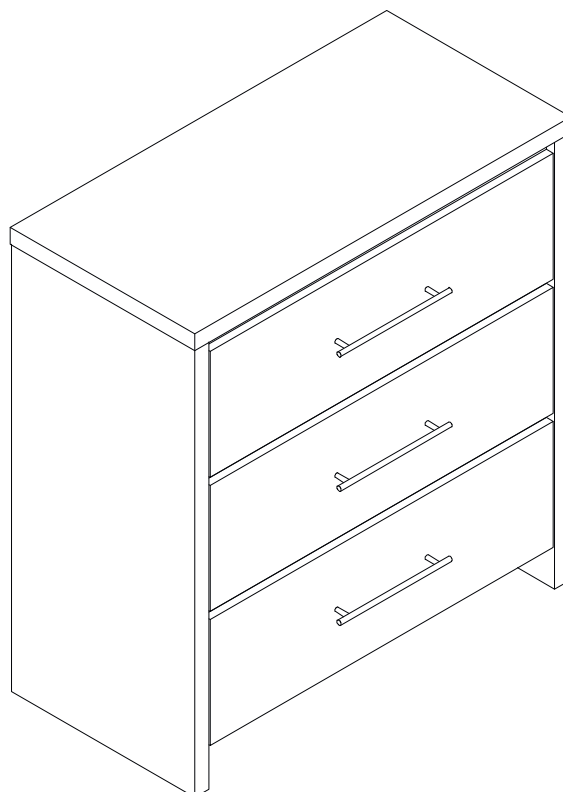
STEP 14

PARTS REQUIRED



HARDWARE REQUIRED

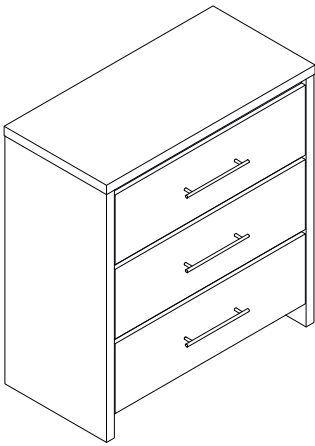
TOOLS REQUIRED



!
PLEASE NOTE THE CLEAR PROTECTIVE FILM WHICH NEEDS REMOVING FROM THE GLOSS FINISH.

STEP 15

PARTS REQUIRED



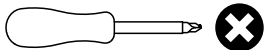
HARDWARE REQUIRED

K



01

TOOLS REQUIRED



WARNING

Serious or fatal injuries can occur from furniture tipping over. To prevent the furniture from tipping over we recommend that it is permanently fixed to the wall.

Wall fixings are not supplied with this product as different wall materials require different types of fixing devices. Please make sure you use fixings suitable for the walls in your home.

