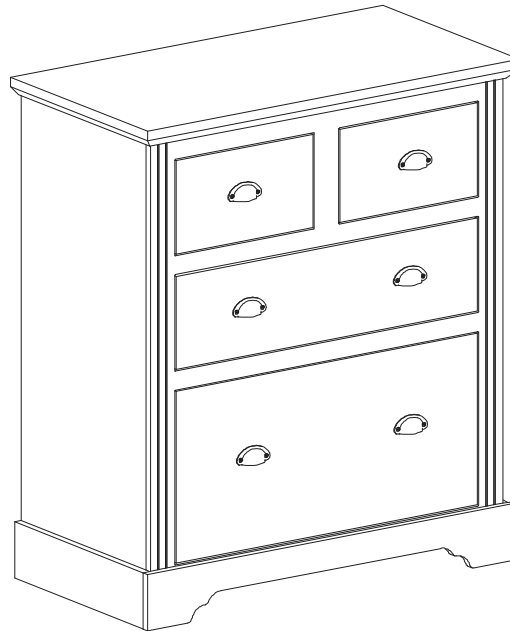


# GREY TOLEDO 2+2 DRAWER CHEST ASSEMBLY INSTRUCTIONS

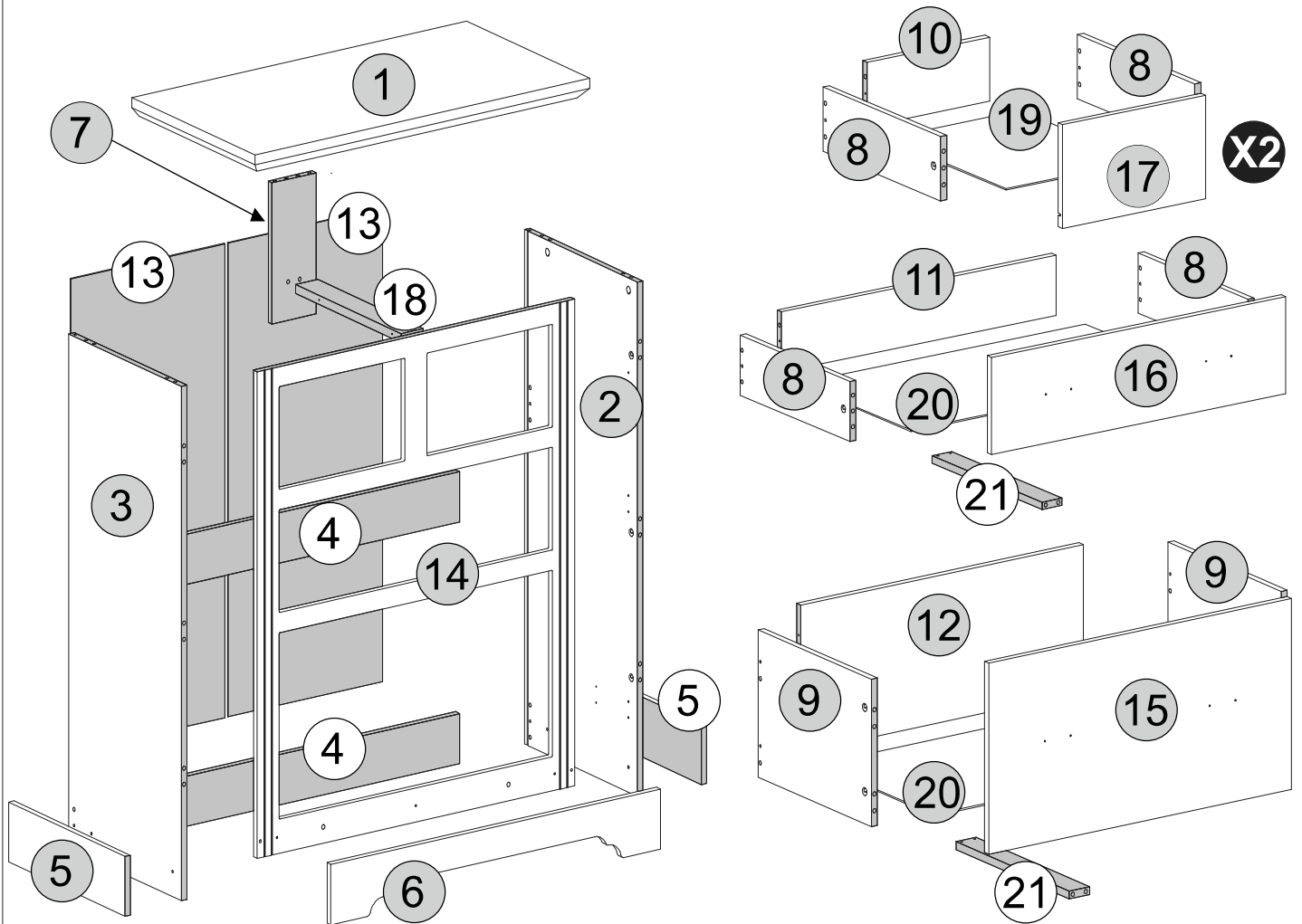


## IMPORTANT FOR DOMESTIC USE ONLY

PLEASE READ BEFORE YOU CONTINUE FURTHER

## CARE AND MAINTENANCE

- After unpacking this product please keep the original packaging in case it needs to be returned for any reason.
- Please ensure all fittings and parts are present before commencing with assembly.
  - Never drag or push products as this could cause damage to the joints making it inferior.
  - We strongly recommend that you keep children away from your work area.
  - We recommend that you lay a blanket or sheet on the floor to avoid damage to both your floor and the product.
  - Assemble this product as close to its final position as possible.
  - Do not place this product next to a radiator or in direct sunlight.
  - Do not drag or push items across your high gloss furniture as this may cause the surface to scratch
  - Wood is a natural product and may expand if subjected to damp and may shrink or crack if subjected to heat. Therefore it is recommended that room temperature is maintained, with no sudden temperature fluctuations.
  - Make sure any spillage is wiped off immediately.
  - Do not place hot or chilled items directly on to the surface, use a place mat or marking will occur.
  - For general cleaning use a soft cotton or micro fibre cloth, and do not use detergents of any kind.
  - From time to time it may be necessary to tighten fittings, regular inspections should be carried out.
  - Do not place on a wet or damp floor as staining may occur to your floor.

**Please Note:**

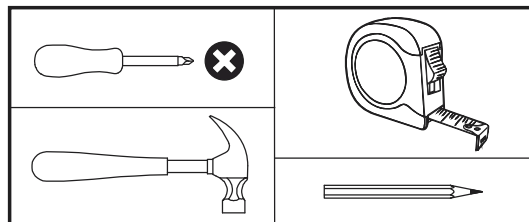
The below parts have been stamped with the part number to help identify them during assembly.

Part Number	Part Code	Part Description	Quantity	Carton
1	S100-102-142-HV1-01	Top Panel	1	1/2
2	S100-102-142-HV1-02	Right Side Panel	1	2/2
3	S100-102-142-HV1-03	Left Side Panel	1	2/2
4	S100-102-142-HV1-04	Back Crossbeam	2	1/2
5	S100-102-142-HV1-05	Side Plinth	2	1/2
6	S100-102-142-HV1-06	Front Plinth	1	1/2
7	S100-102-142-HV1-07	Support	1	1/2
8	S100-102-142-HV1-08	Drawer Side	6	1/2
9	S100-102-142-HV1-09	Large Drawer Side	2	1/2
10	S100-102-142-HV1-10	Small Drawer Back	2	1/2
11	S100-102-142-HV1-11	Medium Drawer Back	1	1/2
12	S100-102-142-HV1-12	Large Drawer Back	1	1/2
13	S100-102-142-HV1-13	Back Panel	2	2/2
14	S100-102-142-HV1-14	Front Frame	1	2/2
15	S100-102-142-HV1-15	Large Drawer Front	1	2/2
16	S100-102-142-HV1-16	Medium Drawer Front	1	2/2
17	S100-102-142-HV1-17	Small Drawer Front	2	2/2
18	S100-102-142-HV1-18	Drawer Runner Support	1	1/2
19	S100-102-142-HV1-19	Small Drawer Bottom	2	2/2
20	S100-102-142-HV1-20	Large Drawer Bottom	2	2/2
21	S100-102-142-HV1-21	Drawer Support	2	1/2

# FITTINGS LIST

<b>A</b>  +2 <b>Cam Bolt 32xØ6mm</b> x 26	<b>B</b>  +2 <b>Can Nut Ø15 mm</b> x 26	<b>C</b>  +2 <b>Dowel Ø8 x 30 mm</b> x 62	<b>D</b>  +1 <b>Washer Ø16x7 mm</b> x 2	<b>E</b>  <b>Drawer Spacer 52x45x22 mm</b> x 14
<b>F</b>  <b>Strap 200x20x1 mm</b> x 1	<b>G</b>  +2 <b>Screw Ø4 x 14 mm</b> x 26	<b>H</b>  +2 <b>Screw Ø4 x 40 mm</b> x 10	<b>I</b>  +1 <b>Screw Ø3,5 x 40 mm</b> x 6	<b>J</b>  +1 <b>Screw Ø4 x 25 mm</b> x 7
<b>K</b>  +1 <b>Plastic Foot L 19x17x8mm Ø2mm</b> x 4	<b>L</b>  +2 <b>Nail 10x10 Ringed - 1,5x23mm</b> x 30	<b>M</b>  <b>Glue 10g</b> x 2	<b>N</b>  +2 <b>Hole plugs 19mm</b> x 10	<b>O</b>  +2 <b>Screw Ø4 x 22 mm</b> x 28
<b>P</b>  +2 <b>Screw Ø3,5 x 14 mm</b> x 14	<b>Q</b>  +2 <b>Screw Ø3 x 16 mm</b> x 14	<b>R</b>  +1 <b>Screw Ø3,5 x 30 mm</b> x 1	<b>S</b>  +2 <b>Triangle Support Angle</b> x 14	<b>T</b>  <b>Handle With Screws</b> x 6
<b>U</b>  <b>SLIDES 350mm</b> x 4	<b>V</b>  <b>PROFILE H 640x21x3,8 mm</b> x 1	<b>W</b>  +2 <b>Screw Ø3 x 20 mm</b> x 18	<b>X</b>  +1 <b>"L" Metallic Support 18x18MM</b> x 4	

## TOOLS REQUIRED



## TIPS FOR FITTINGS CAM-LOCKS

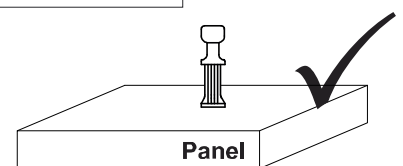
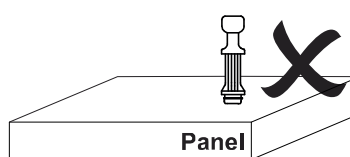
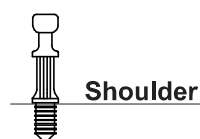
WHEN FITTING CAM NUT. ENSURE STARTING POSITION IS CORRECT BEFORE YOU INSERT CONNECTING CAM BOLT TURN CLOCKWISE UNTIL SECURE

**CORRECT**      **WRONG**

**Cam bolt head needs to be in centre**

### CAMBOLT

Tighten until shoulder in flush with panel. Do not overtighten or undertighten (see example beside)



# STEP 1

## PARTS REQUIRED

2 - RIGHT SIDE PANEL x1

## HARDWARE REQUIRED

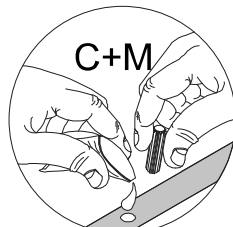
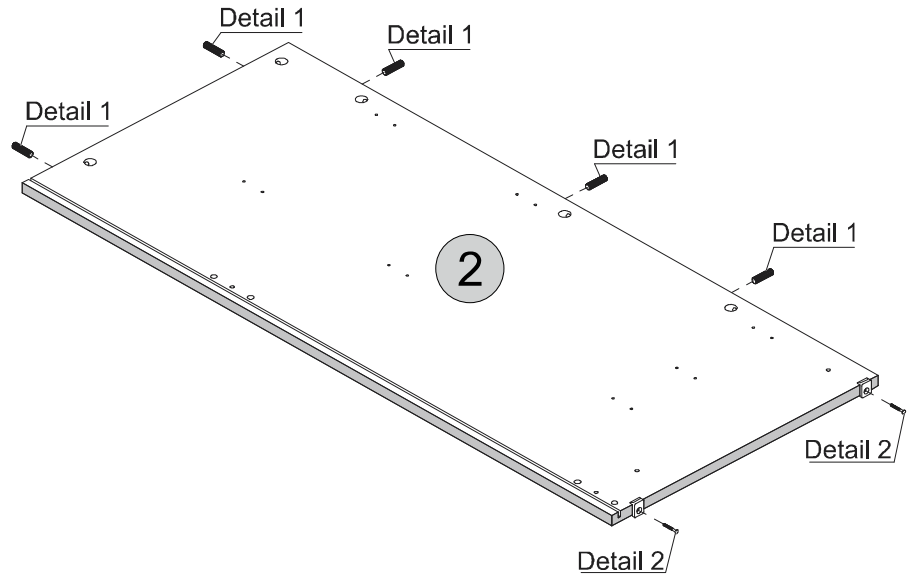
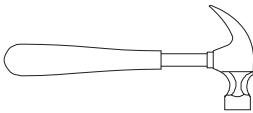
C  05

K  02

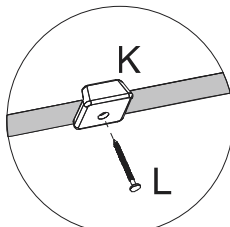
L  02

M  01

## TOOLS REQUIRED



Detail 1




Detail 2

# STEP 2


## PARTS REQUIRED

2 - RIGHT SIDE PANEL x1

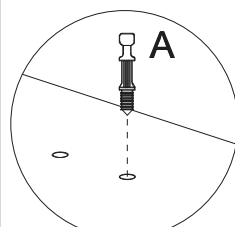
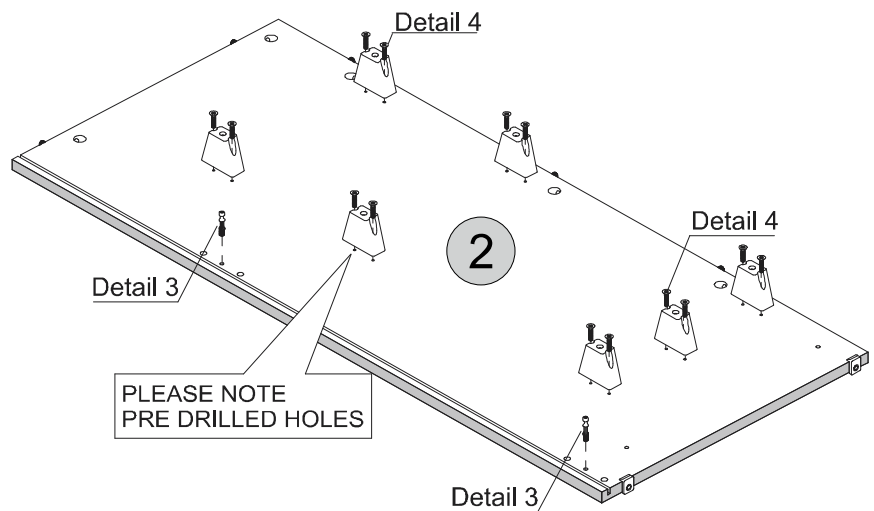
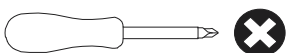
## HARDWARE REQUIRED

A  02

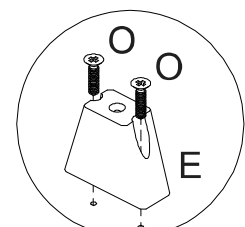
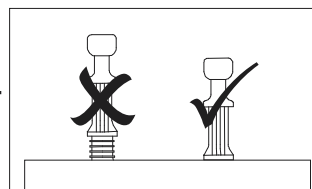
E  07

O  14

## TOOLS REQUIRED



Detail 3



Detail 4



# STEP 3

## PARTS REQUIRED

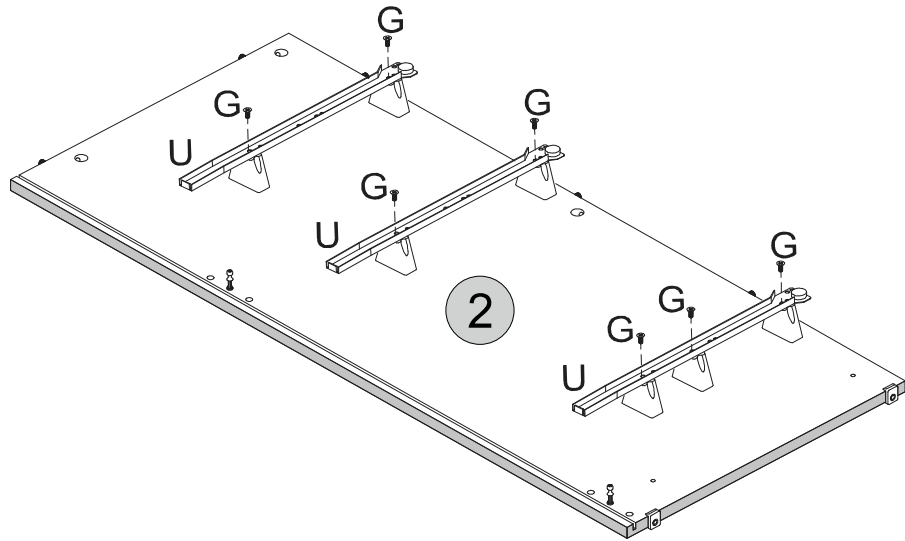
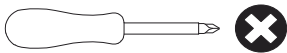
2 - RIGHT SIDE PANEL x1

## HARDWARE REQUIRED

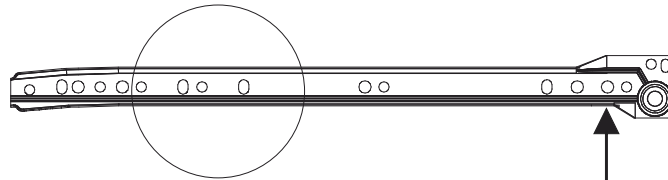
G  07

U  RIGHT 03

## TOOLS REQUIRED



PRE-DRILLED HOLE



SECOND HOLE (LINE UP WITH PRE-DRILLED HOLE)

# STEP 4

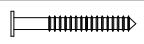
## PARTS REQUIRED

3 - LEFT SIDE PANEL x1

## HARDWARE REQUIRED

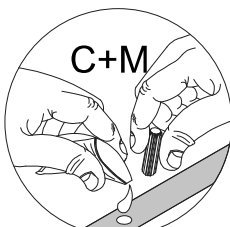
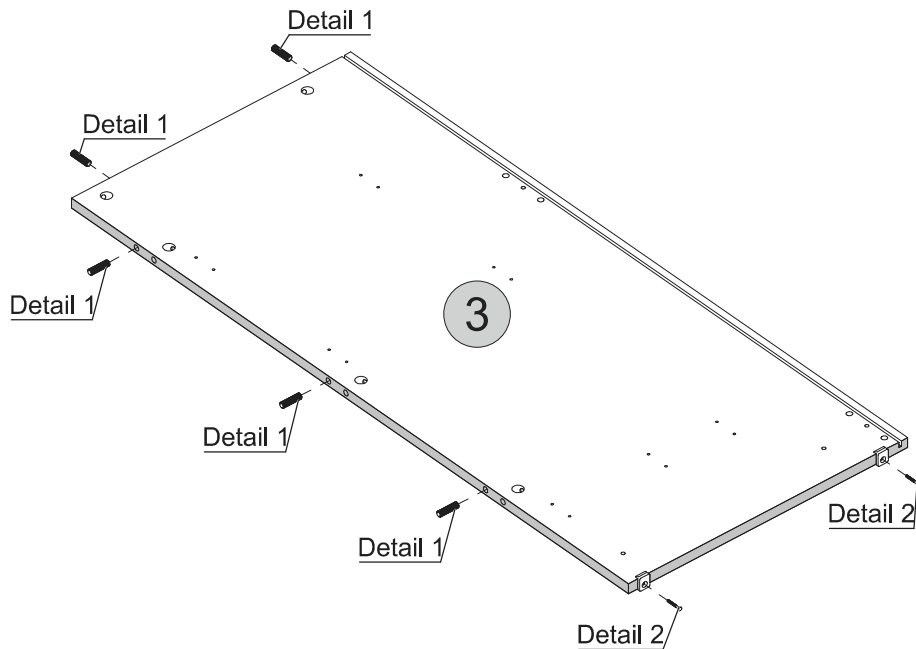
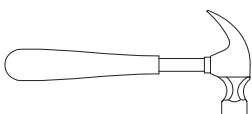
C  05

K  02

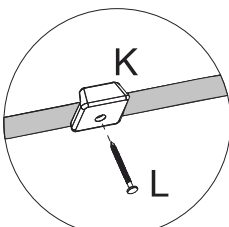
L  02

M  01

## TOOLS REQUIRED



Detail 1




Detail 2

# STEP 5

## PARTS REQUIRED

3 - LEFT SIDE PANEL x1

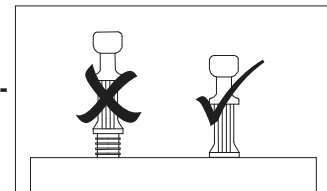
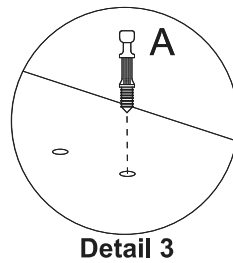
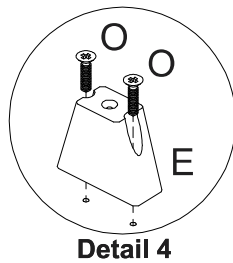
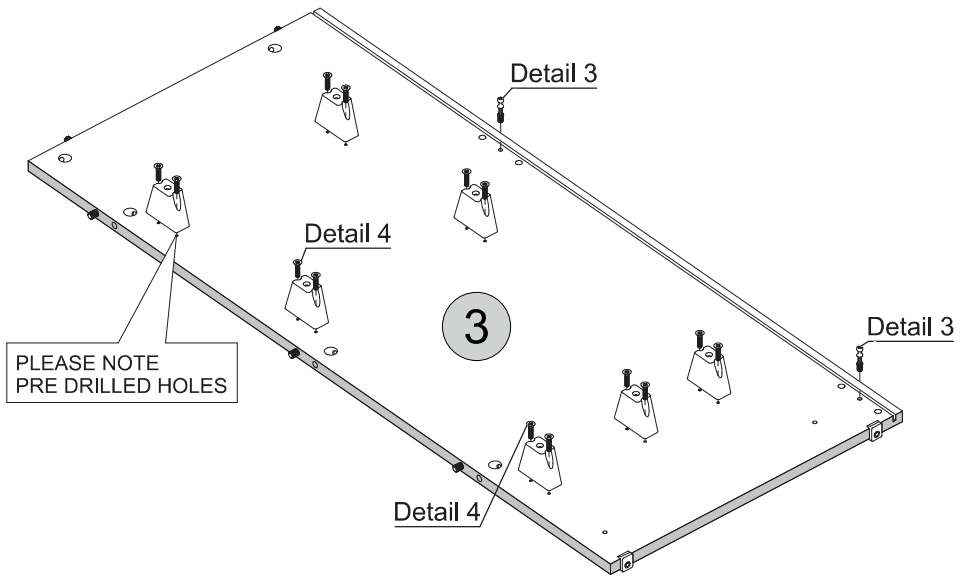
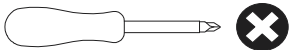
## HARDWARE REQUIRED

A  02

E  07

O  14

## TOOLS REQUIRED




# STEP 6

## PARTS REQUIRED

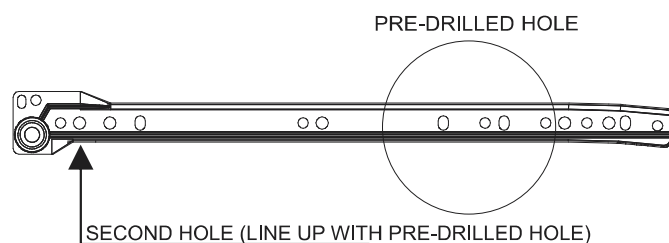
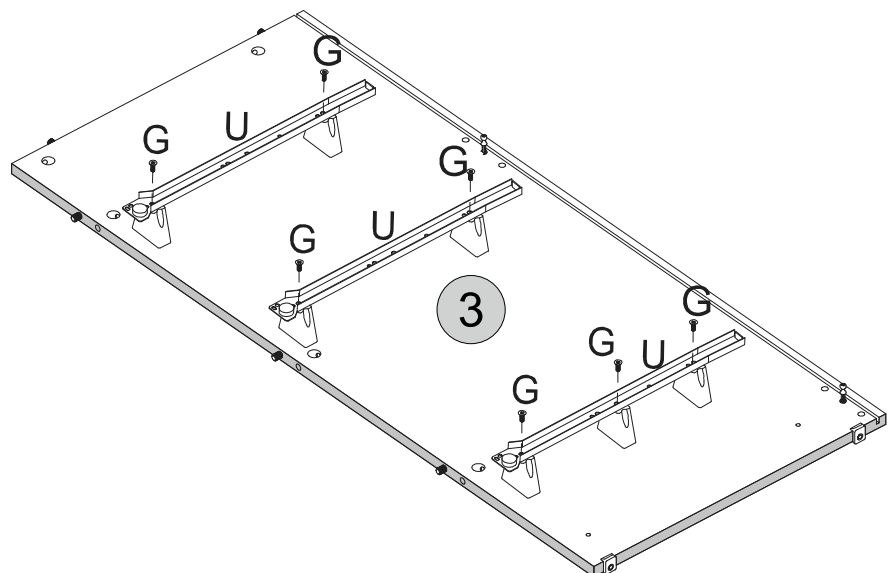
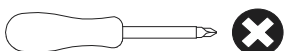
3 - LEFT SIDE PANEL x1

## HARDWARE REQUIRED

G  07

U  LEFT 03

## TOOLS REQUIRED







# STEP 7

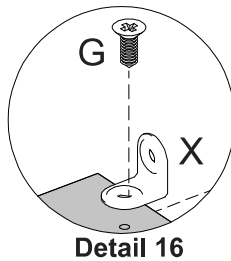
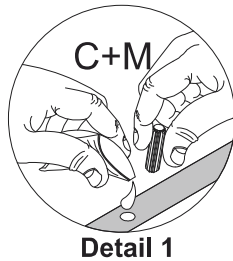
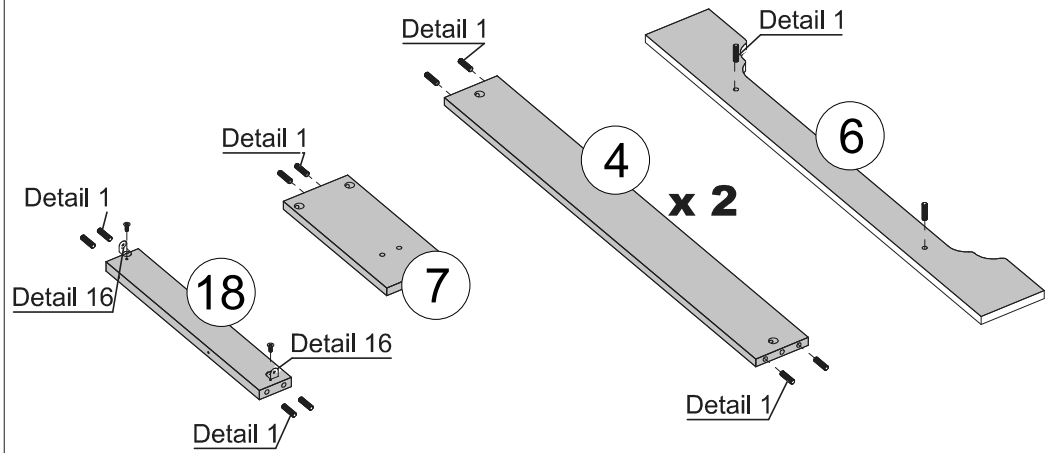
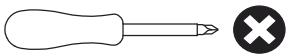
## PARTS REQUIRED

4 - BACK CROSSBEAM	x2
6 - FRONT PLINTH	x1
7 - SUPPORT	x1
18 - DRAWER RUNNER SUPPORT	x1

## HARDWARE REQUIRED

C		16
G		02
M		01
X		02

## TOOLS REQUIRED


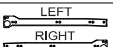


# STEP 8

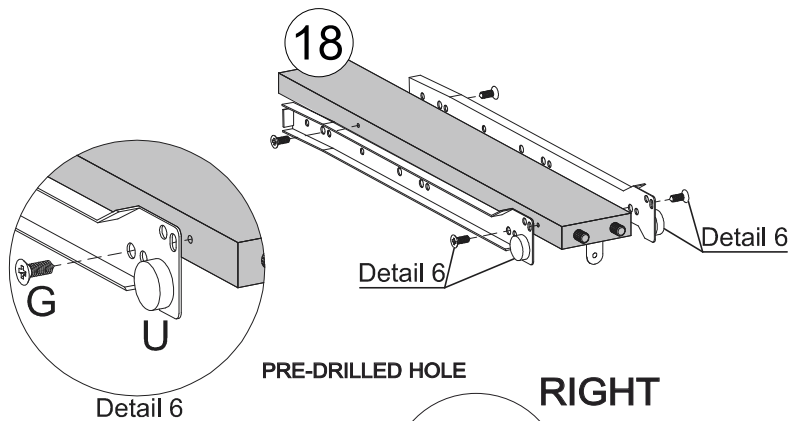
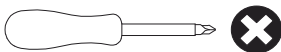
## PARTS REQUIRED

18 - DRAWER RUNNER SUPPORT	x1
----------------------------	----

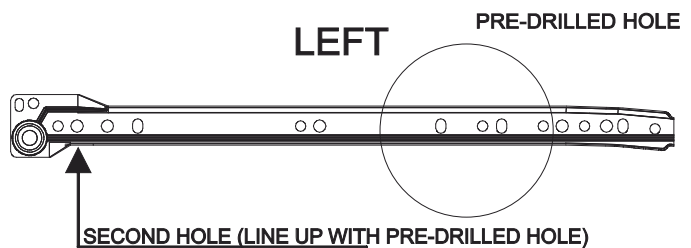
## HARDWARE REQUIRED

G		04
U		01

## TOOLS REQUIRED



PRE-DRILLED HOLE **RIGHT**





# STEP 9

## PARTS REQUIRED

14 - FRONT FRAME x1

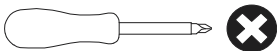
## HARDWARE REQUIRED

A  06

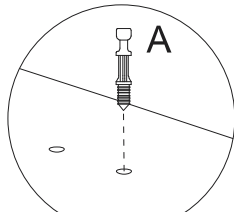
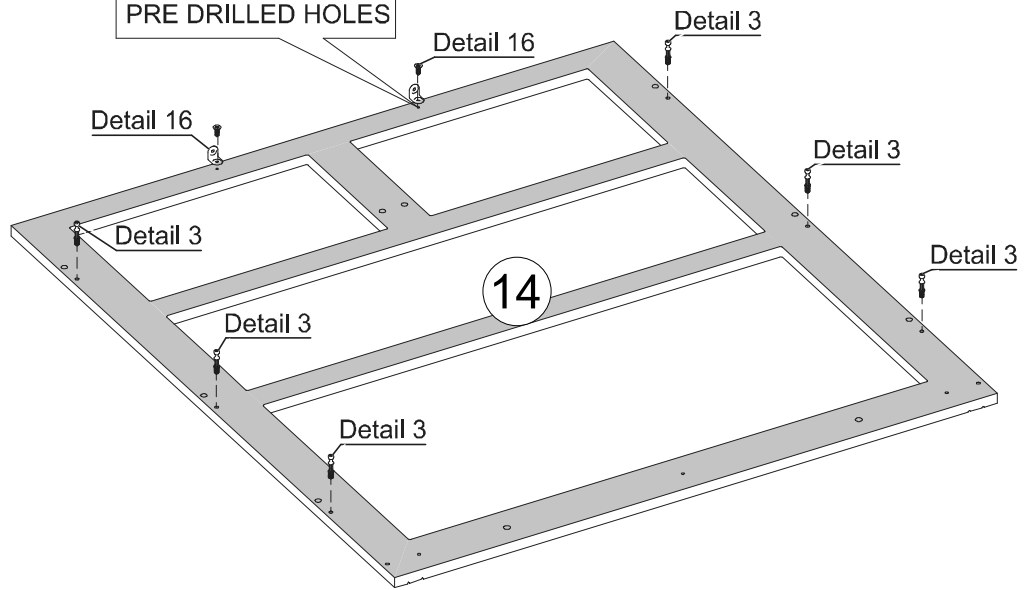
G  02

X  02

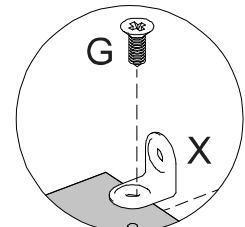
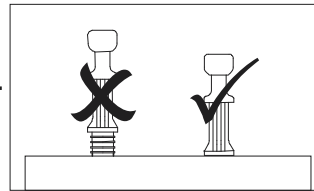
## TOOLS REQUIRED



PLEASE NOTE  
PRE DRILLED HOLES



Detail 3



Detail 16

# STEP 10

## PARTS REQUIRED

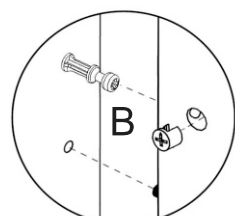
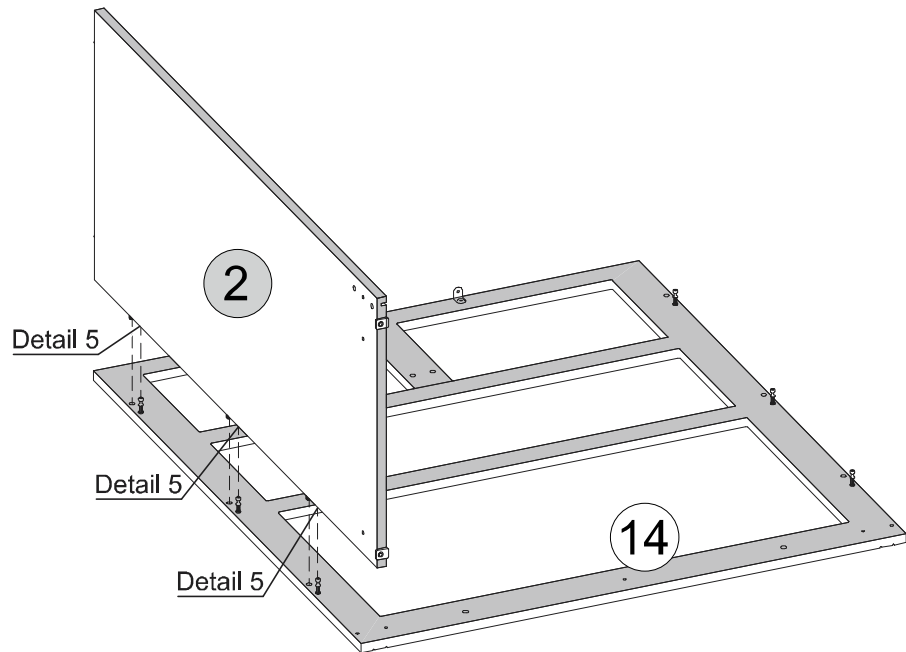
2 - RIGHT SIDE PANEL x1

14 - FRONT FRAME x1

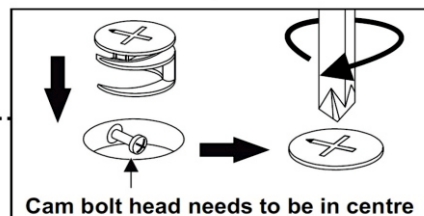
## HARDWARE REQUIRED

B  03

## TOOLS REQUIRED



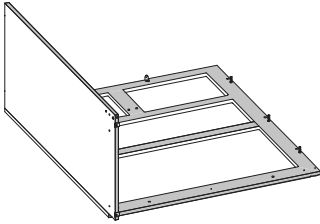
Detail 5



# STEP 11

## PARTS REQUIRED

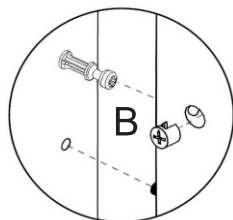
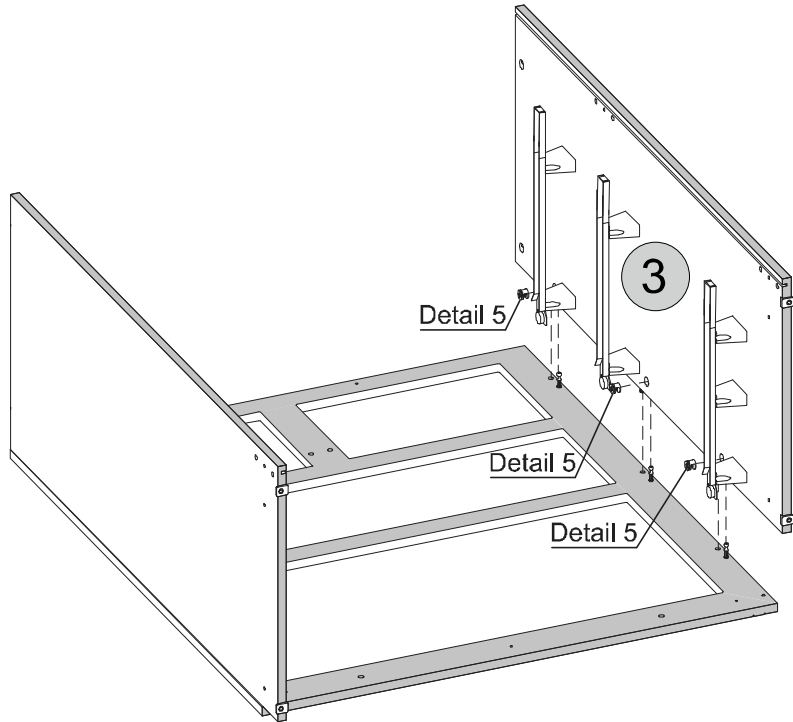
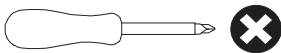
3 - LEFT SIDE PANEL x1



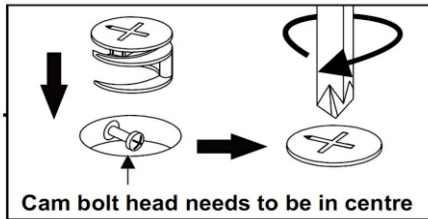
## HARDWARE REQUIRED

B  03

## TOOLS REQUIRED



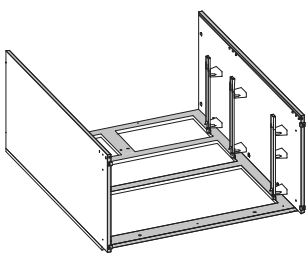
Detail 5



# STEP 12

## PARTS REQUIRED

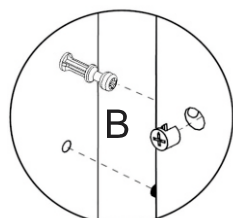
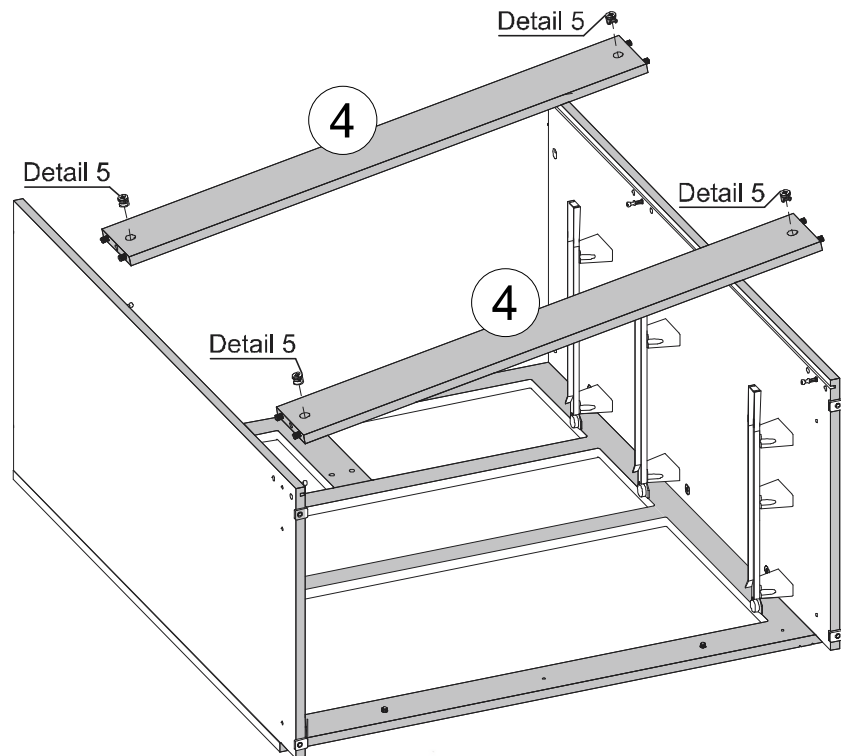
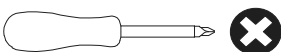
4 - BACK CROSSBEAM x2



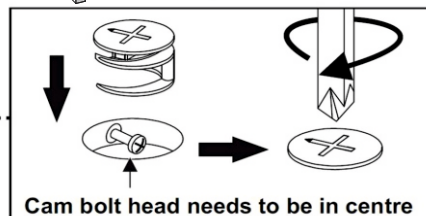
## HARDWARE REQUIRED

B  04

## TOOLS REQUIRED



Detail 5




# STEP 13

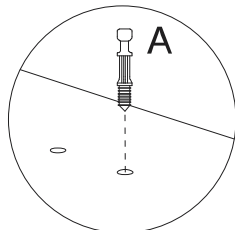
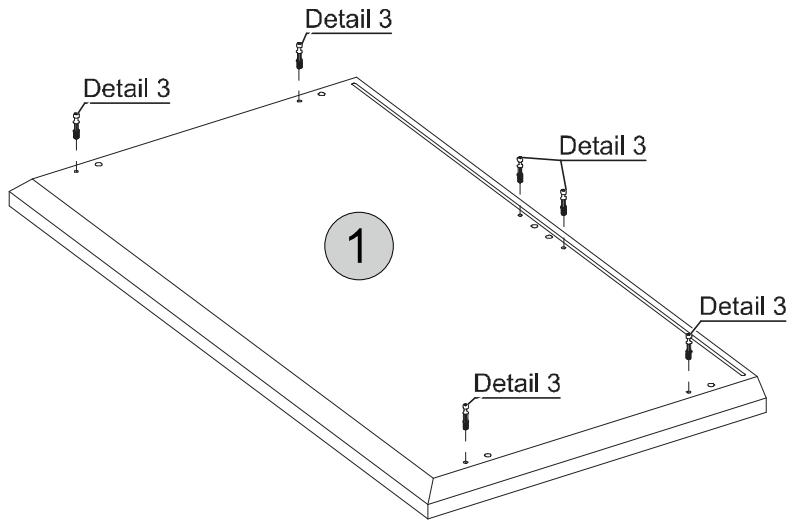
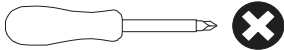
## PARTS REQUIRED

1 - TOP PANEL x1

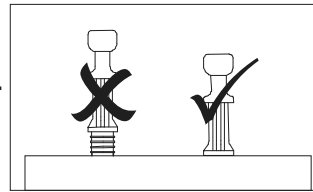
## HARDWARE REQUIRED

A  06

## TOOLS REQUIRED



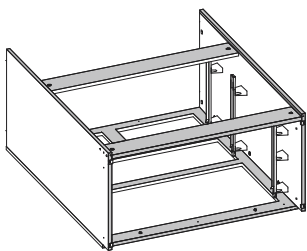
Detail 3



# STEP 14


## PARTS REQUIRED

1 - TOP PANEL x1

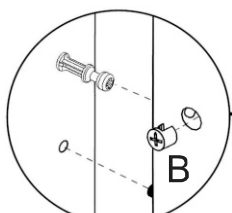
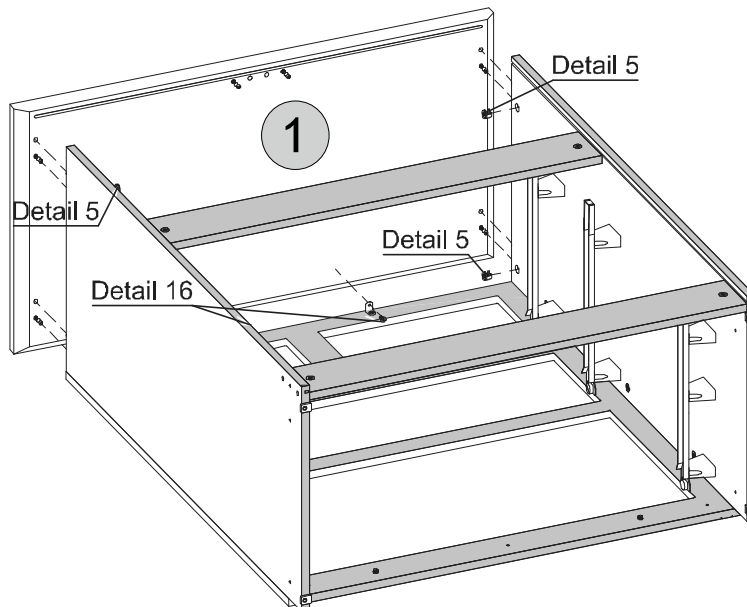
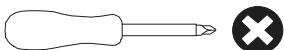


## HARDWARE REQUIRED

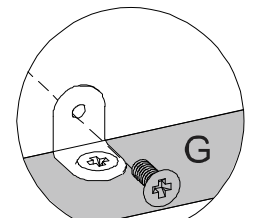
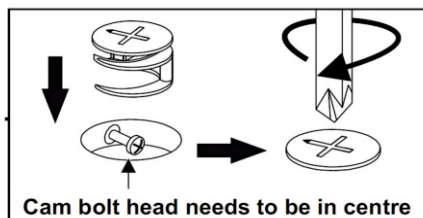
B  04

G  02

## TOOLS REQUIRED



Detail 5



Detail 16

# STEP 15

**PARTS REQUIRED**

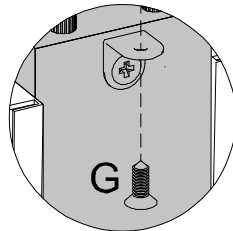
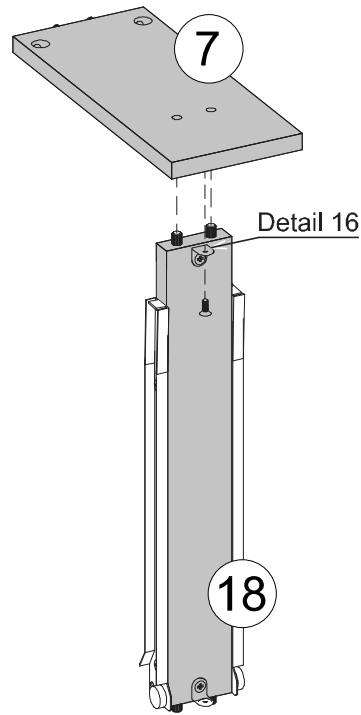
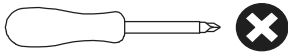
7 - SUPPORT x1

18 - DRAWER RUNNER SUPPORT x1

**HARDWARE REQUIRED**

G  01

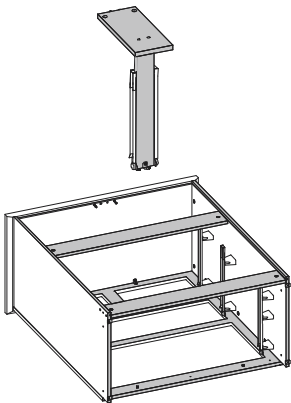
**TOOLS REQUIRED**



Detail 16

# STEP 16

**PARTS REQUIRED**

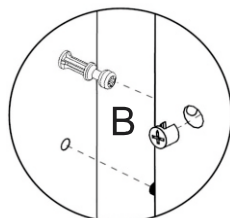
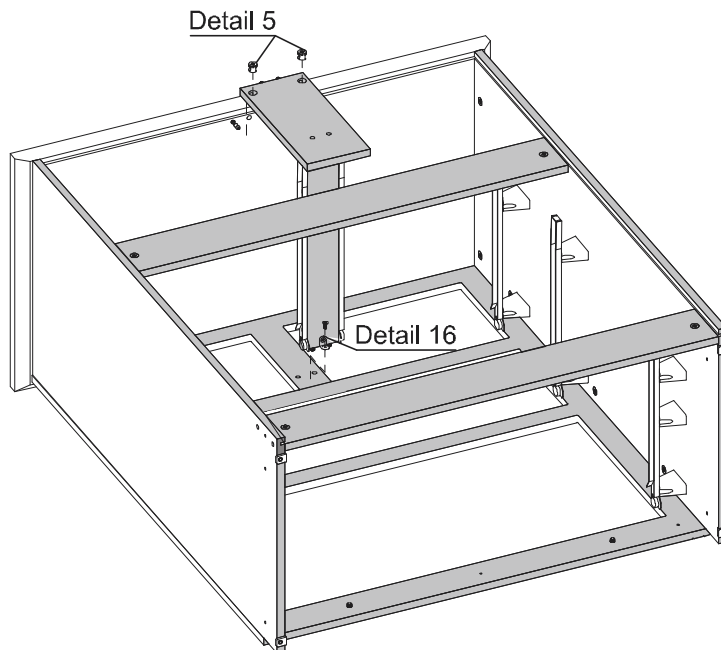
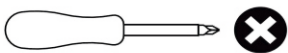


**HARDWARE REQUIRED**

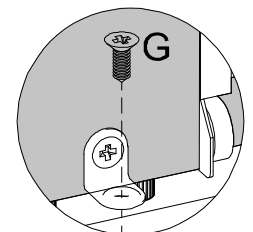
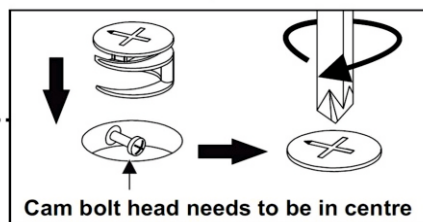
B  02

G  01

**TOOLS REQUIRED**



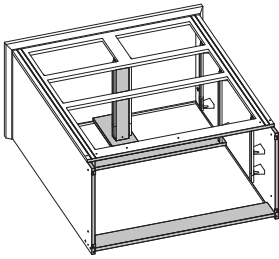
Detail 5



Detail 16

# STEP 17

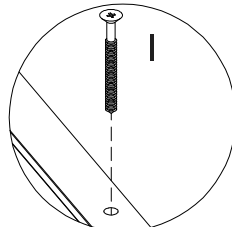
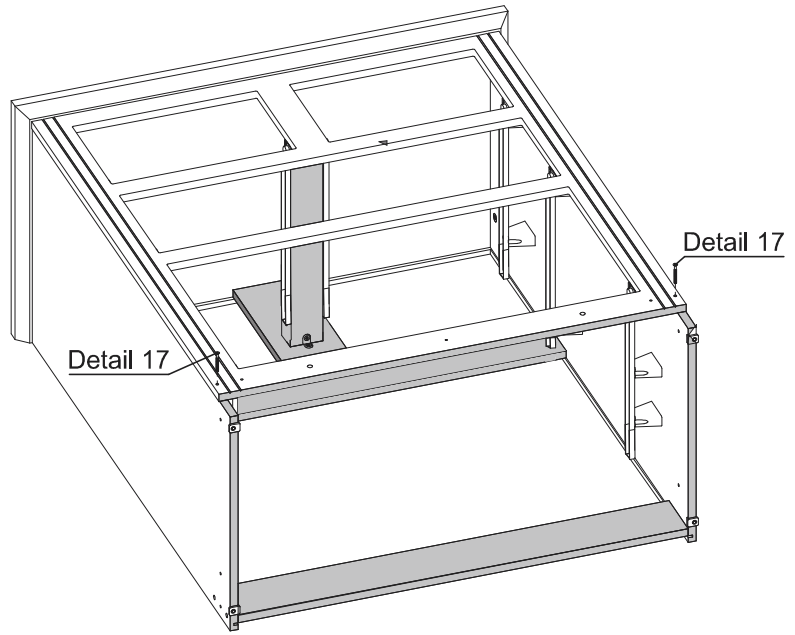
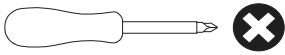
**PARTS REQUIRED**



**HARDWARE REQUIRED**



**TOOLS REQUIRED**

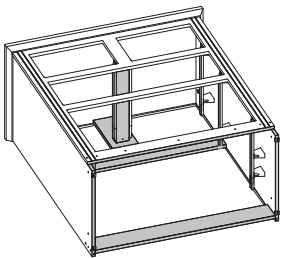


Detail 17

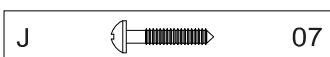
# STEP 18

**PARTS REQUIRED**

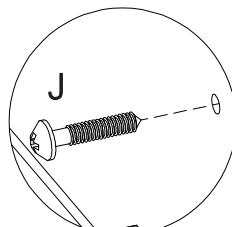
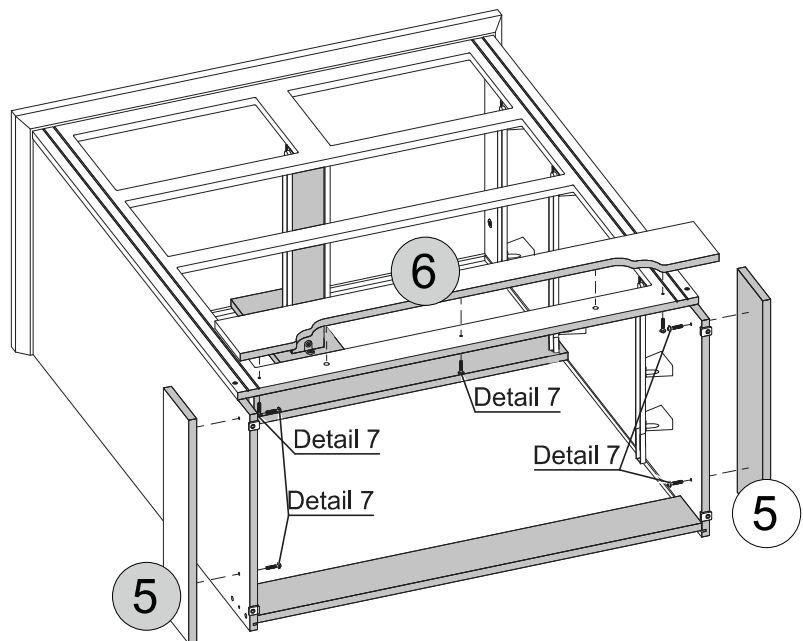
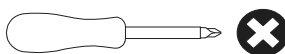
- 5 - SIDE PLINTH x2
- 6 - FRONT PLINTH x1



**HARDWARE REQUIRED**



**TOOLS REQUIRED**



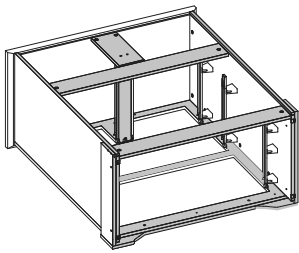
Detail 7




# STEP 19

## PARTS REQUIRED

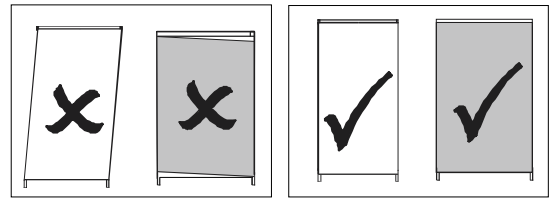
13 - BACK PANEL x2



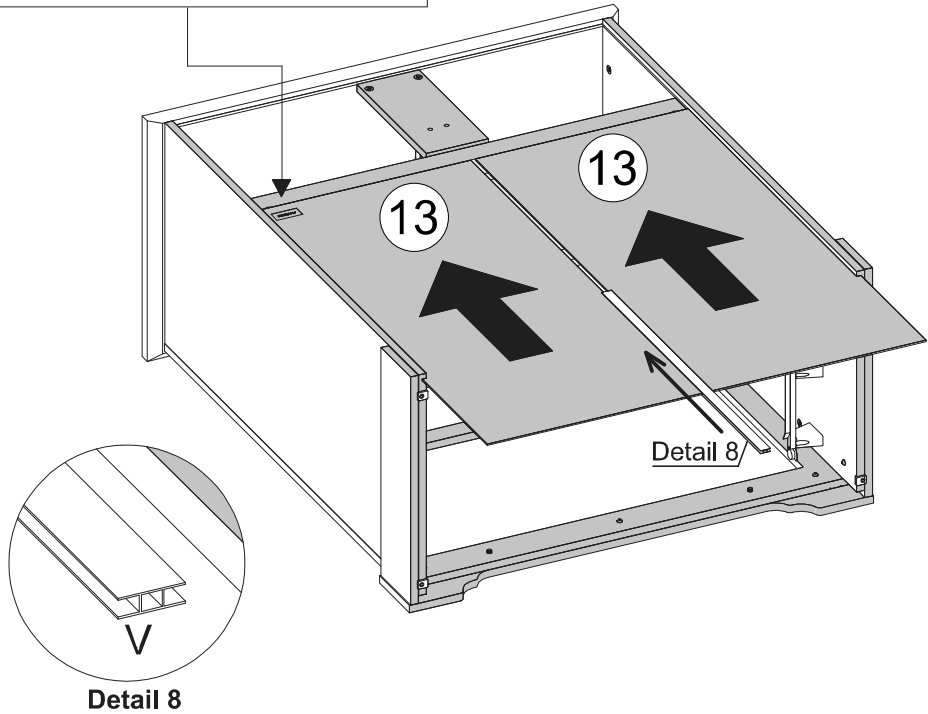
## HARDWARE REQUIRED

V  01

## TOOLS REQUIRED

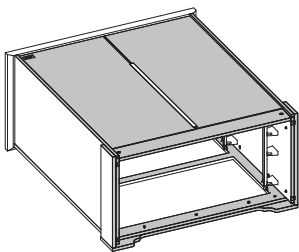


\* For your future reference  
Order number should be here

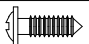


# STEP 20

## PARTS REQUIRED



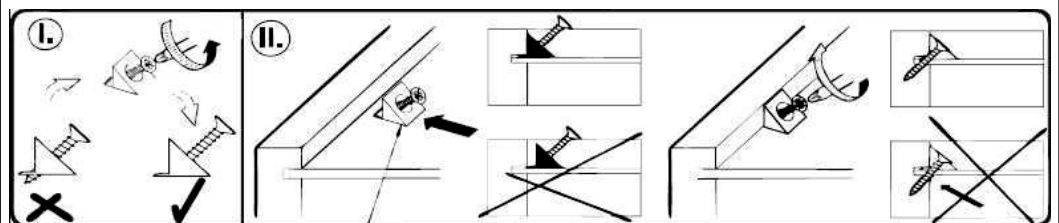
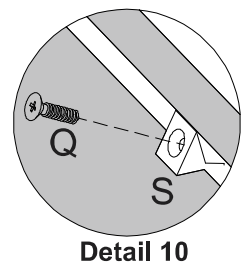
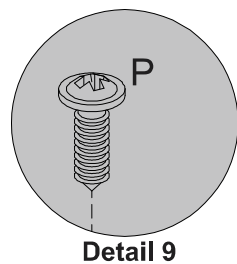
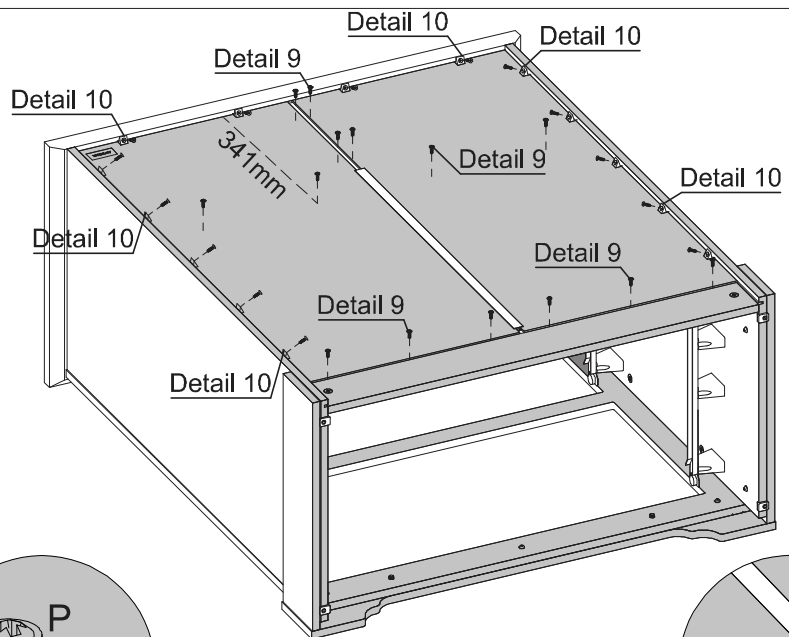
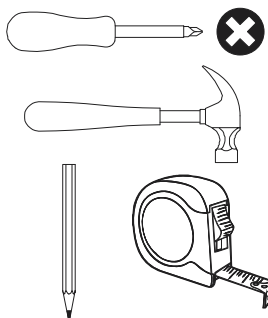
## HARDWARE REQUIRED

P  14

Q  14

S  14

## TOOLS REQUIRED





# STEP 21

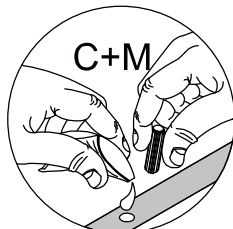
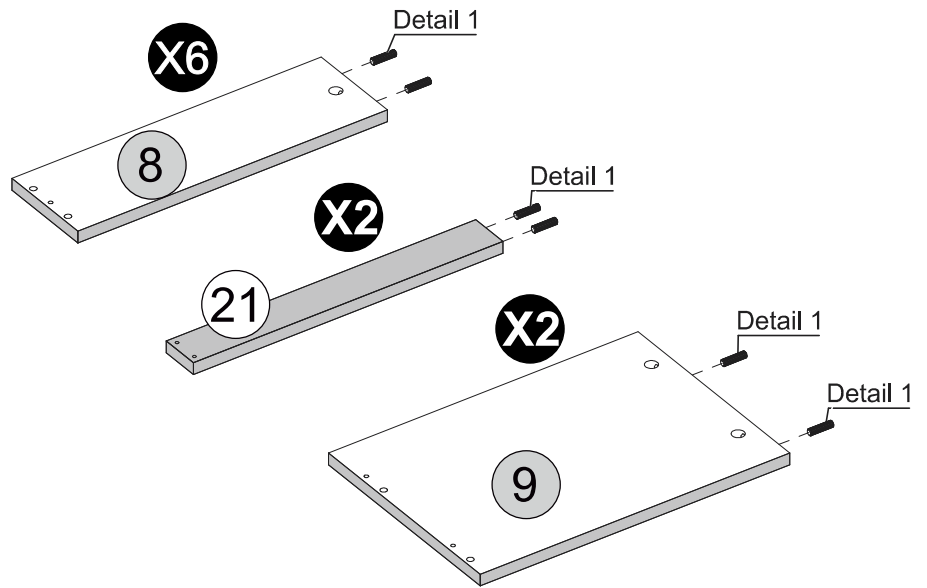
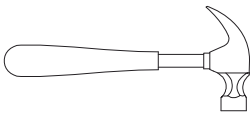
## PARTS REQUIRED

8 - DRAWER SIDE	x6
9 - LARGE DRAWER SIDE	x2
21 - DRAWER SUPPORT	x2

## HARDWARE REQUIRED

C		20
M		01

## TOOLS REQUIRED





Detail 1

# STEP 22

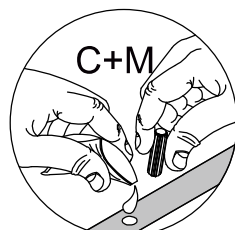
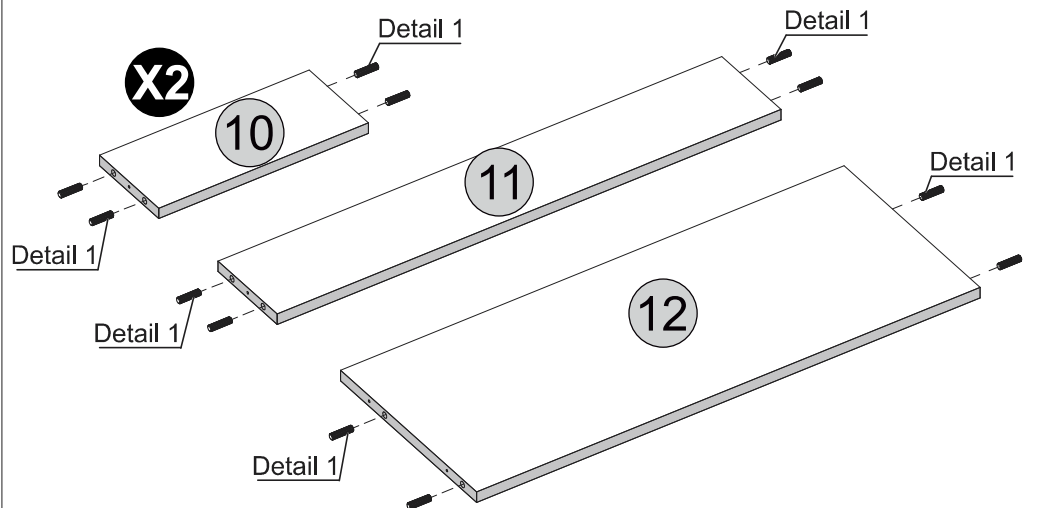
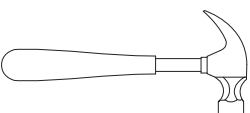
## PARTS REQUIRED

10 - SMALL DRAWER BACK	x2
11 - MEDIUM DRAWER BACK	x1
12 - LARGE DRAWER BACK	x1

## HARDWARE REQUIRED

C		16
M		01

## TOOLS REQUIRED



Detail 1

# STEP 23

## PARTS REQUIRED

15- LARGE DRAWER FRONT x1

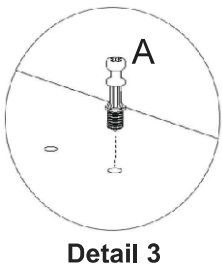
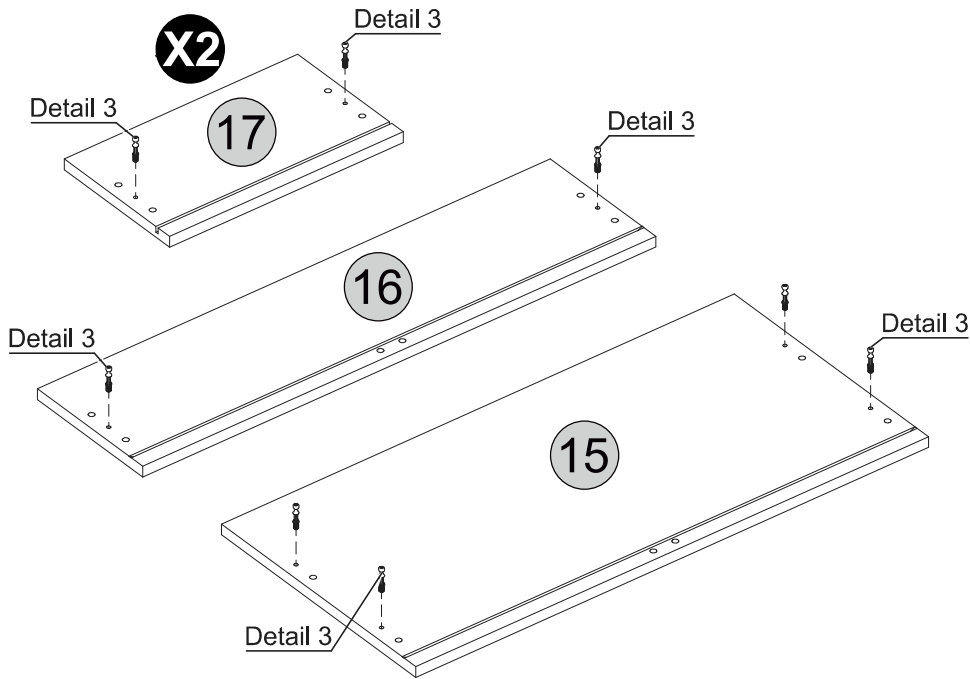
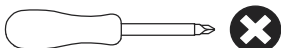
16- MEDIUM DRAWER FRONT x1

17- SMALL DRAWER FRONT x2

## HARDWARE REQUIRED

A  10

## TOOLS REQUIRED



# STEP 24

## PARTS REQUIRED

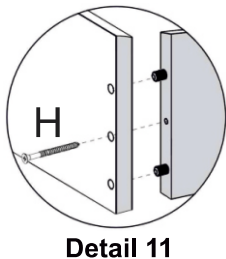
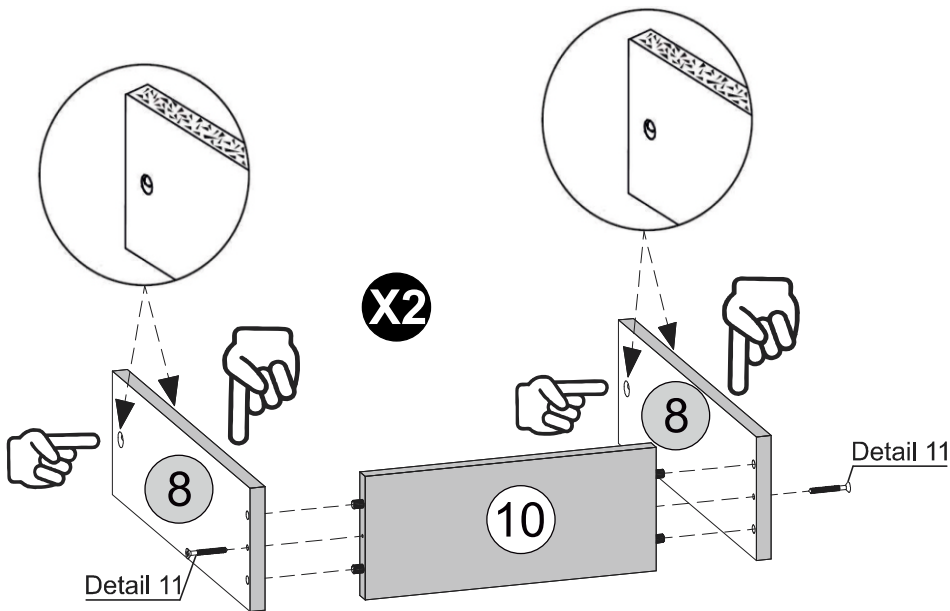
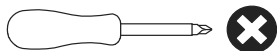
8 - DRAWER SIDE x4

10 - SMALL DRAWER BACK x2

## HARDWARE REQUIRED

H  04

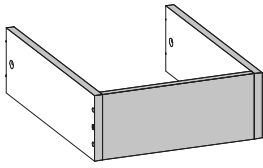
## TOOLS REQUIRED



# STEP 25

**PARTS REQUIRED**

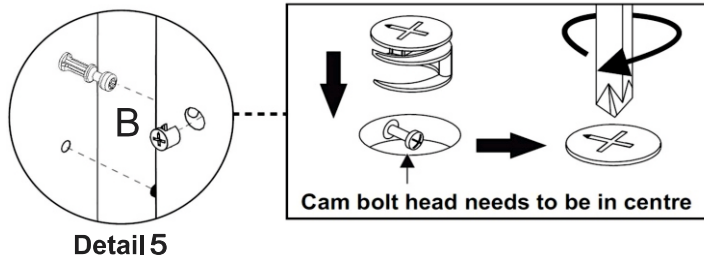
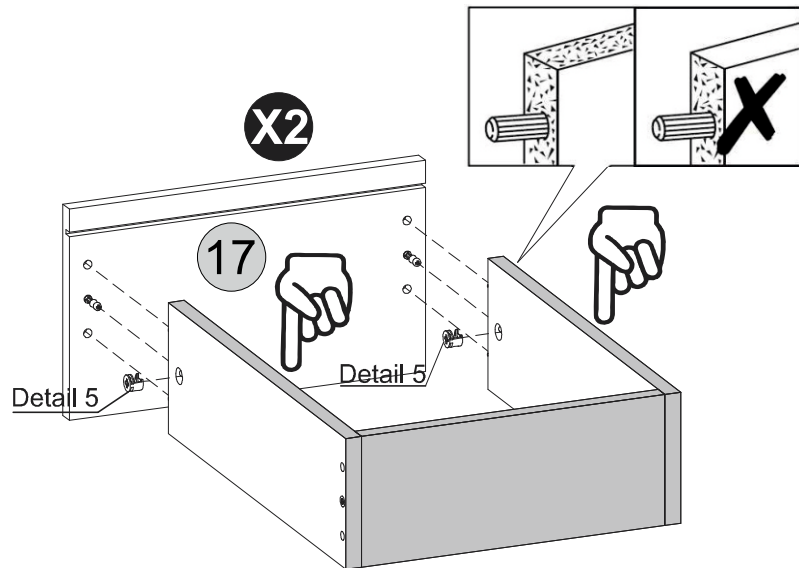
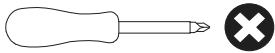
17- SMALL DRAWER FRONT x2



**HARDWARE REQUIRED**

B  04

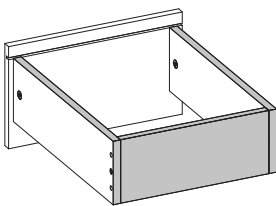
**TOOLS REQUIRED**




# STEP 26

**PARTS REQUIRED**

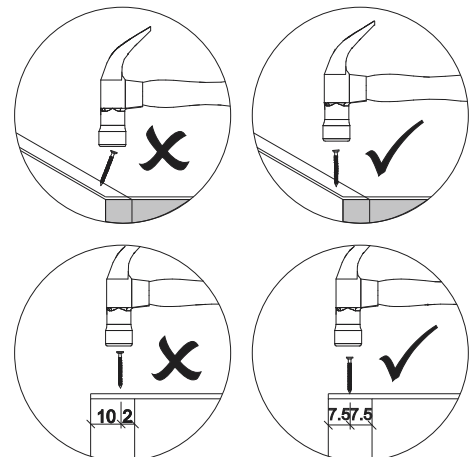
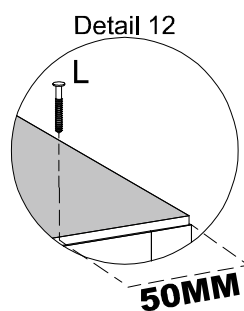
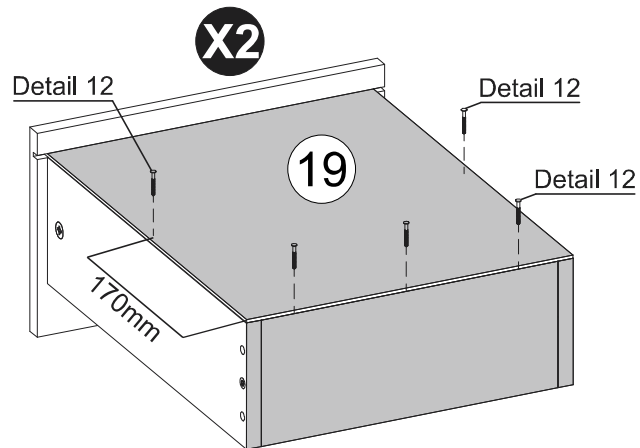
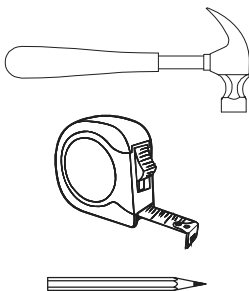
19- SMALL DRAWER BOTTOM x2



**HARDWARE REQUIRED**

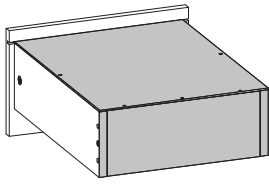
L  10

**TOOLS REQUIRED**

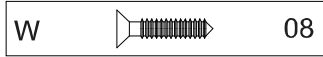
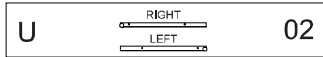


# STEP 27

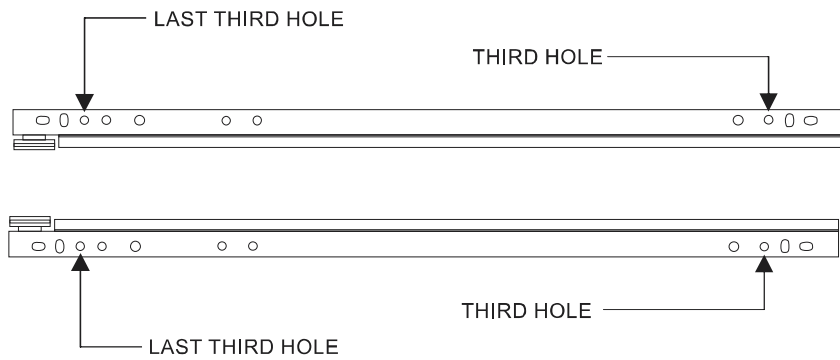
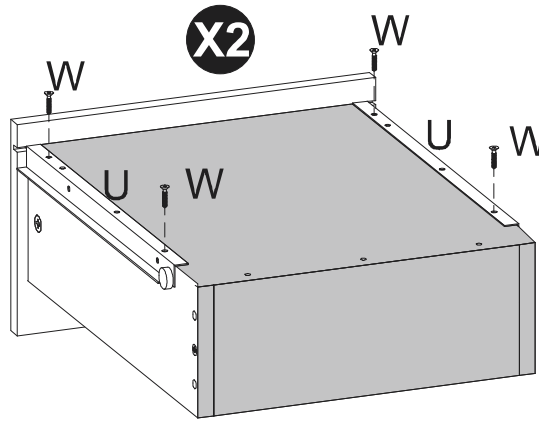
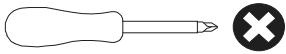
PARTS REQUIRED



HARDWARE REQUIRED

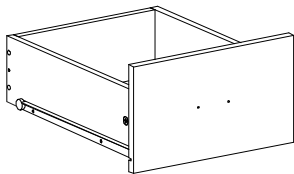


TOOLS REQUIRED

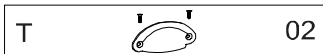


# STEP 28

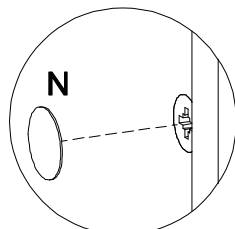
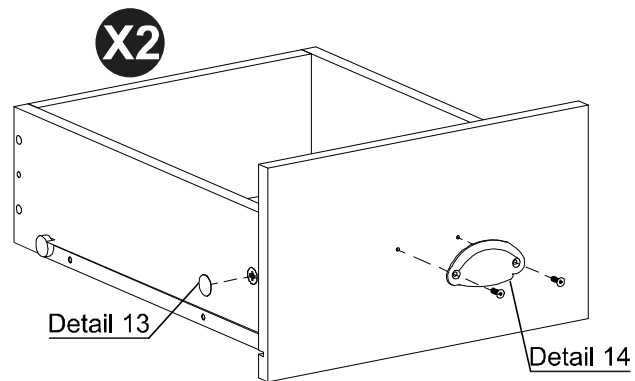
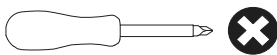
PARTS REQUIRED



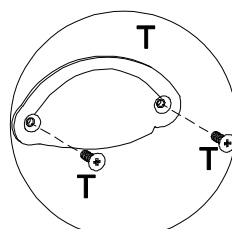
HARDWARE REQUIRED



TOOLS REQUIRED



Detail 13



Detail 14

# STEP 29

**PARTS REQUIRED**

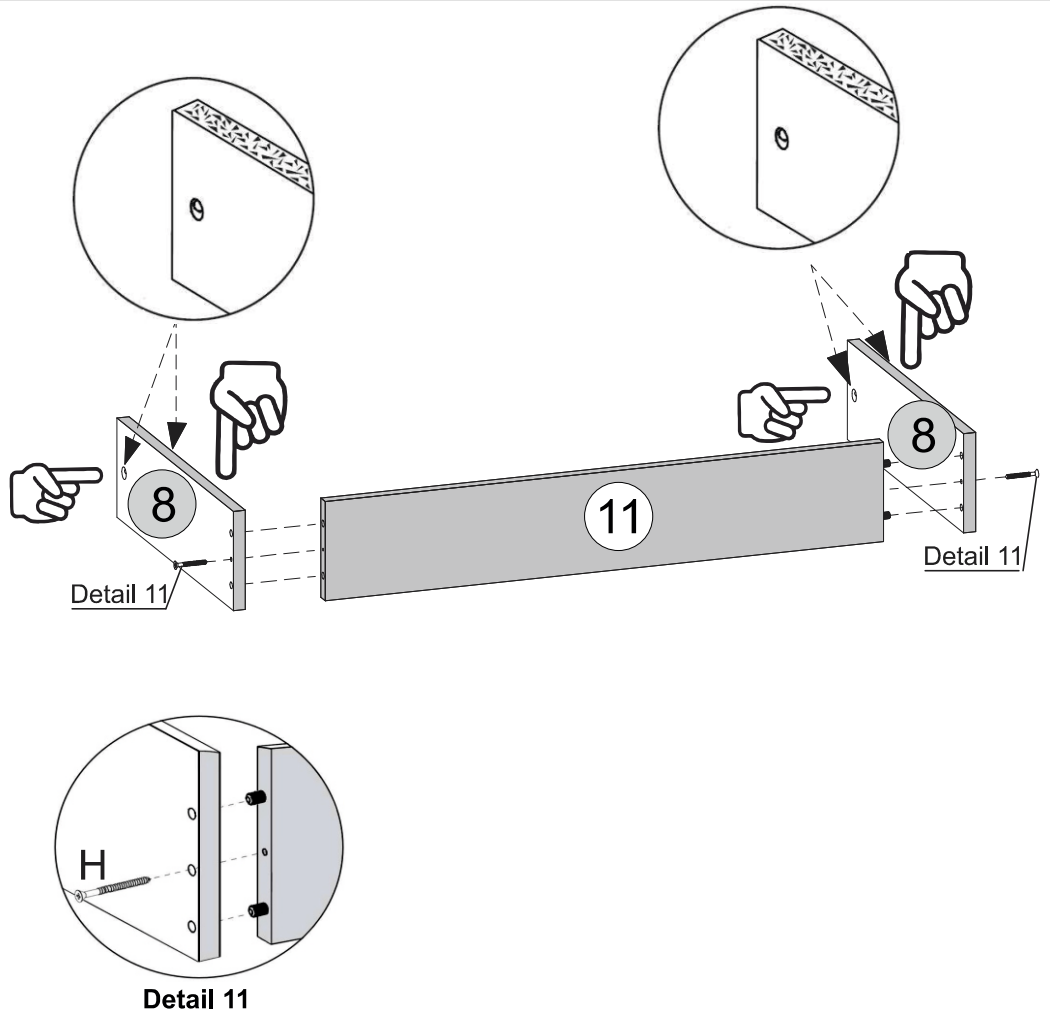
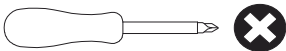
8 - DRAWER SIDE x2

11- MEDIUM DRAWER BACK x1

**HARDWARE REQUIRED**

H  02

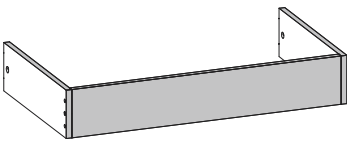
**TOOLS REQUIRED**



# STEP 30

**PARTS REQUIRED**

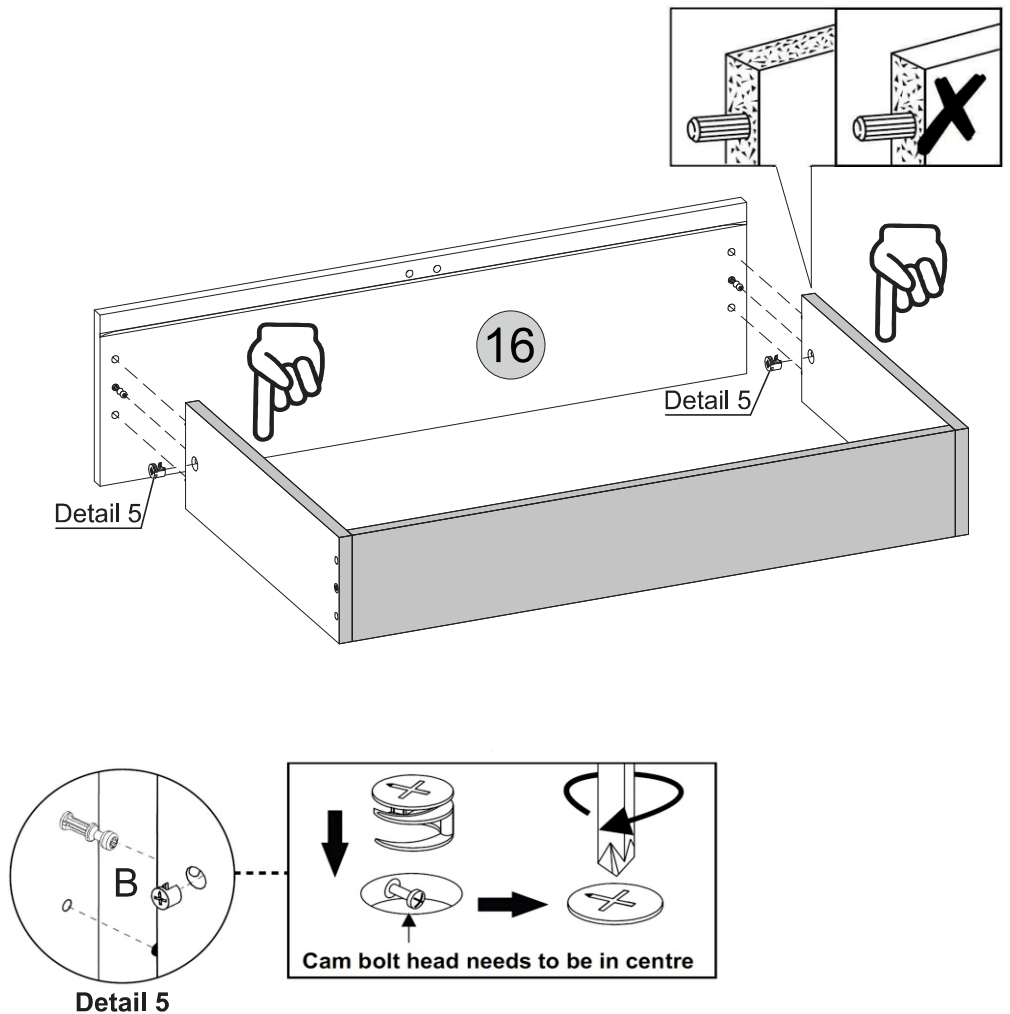
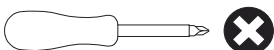
16- MEDIUM DRAWER FRONT x1



**HARDWARE REQUIRED**

B  02

**TOOLS REQUIRED**

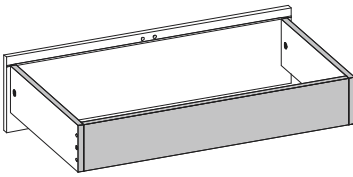


# STEP 31

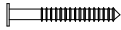
## PARTS REQUIRED

20- LARGE DRAWER BOTTOM x1

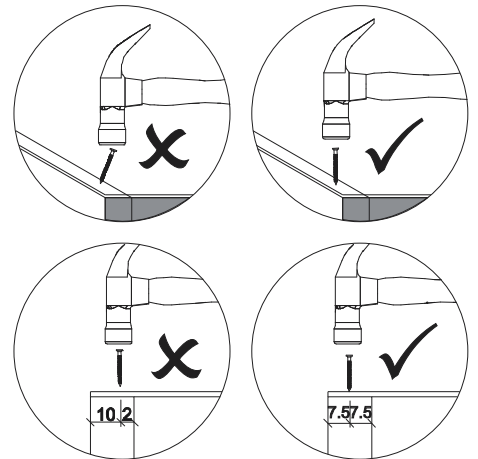
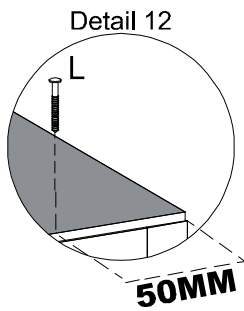
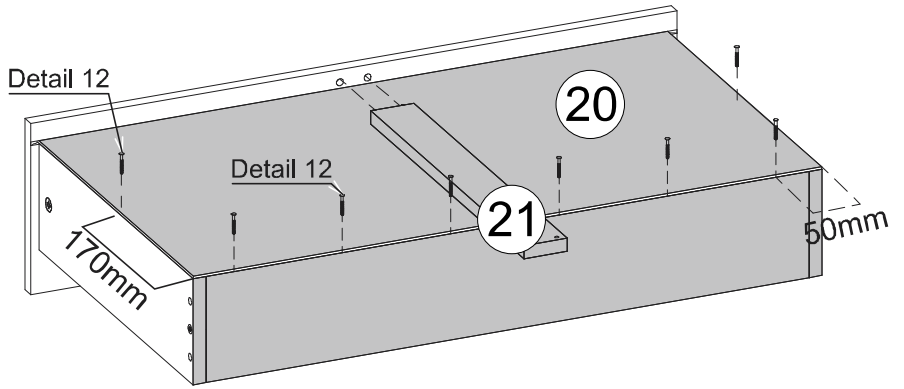
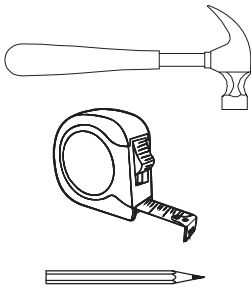
21- DRAWER SUPPORT x1



## HARDWARE REQUIRED

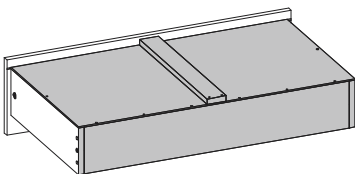
L  08

## TOOLS REQUIRED




# STEP 32

## PARTS REQUIRED



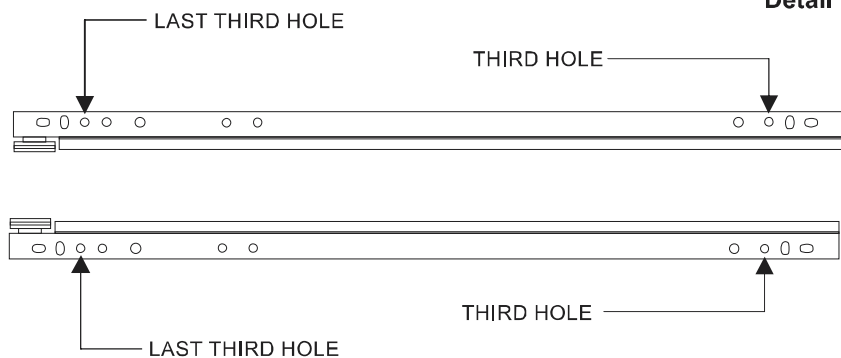
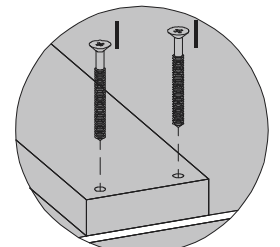
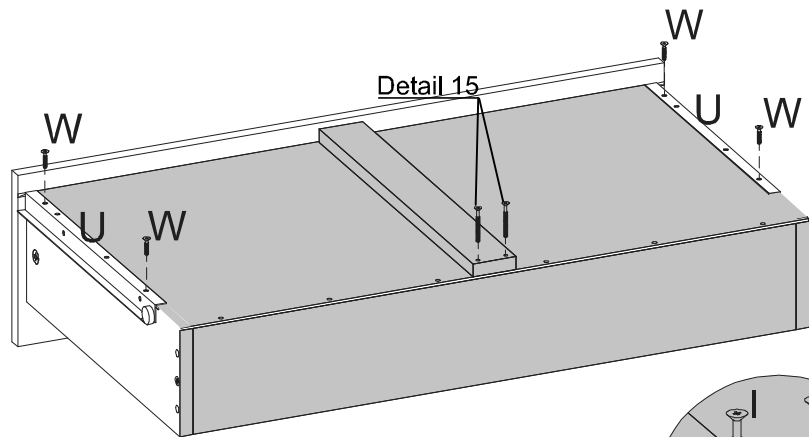
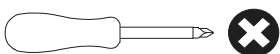
## HARDWARE REQUIRED

I  02

U  01

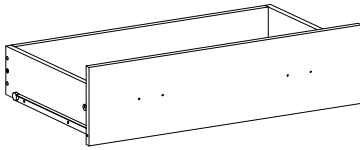
W  04

## TOOLS REQUIRED

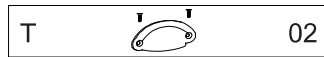


# STEP 33

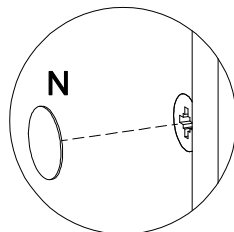
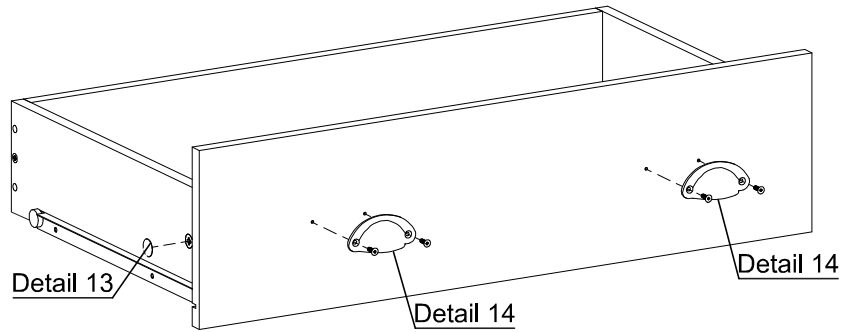
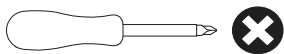
**PARTS REQUIRED**



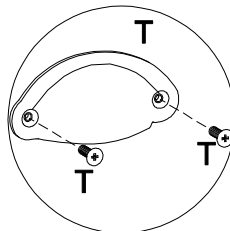
**HARDWARE REQUIRED**



**TOOLS REQUIRED**



Detail 13



Detail 14

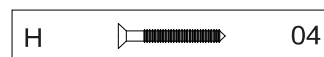
# STEP 34

**PARTS REQUIRED**

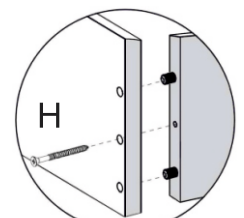
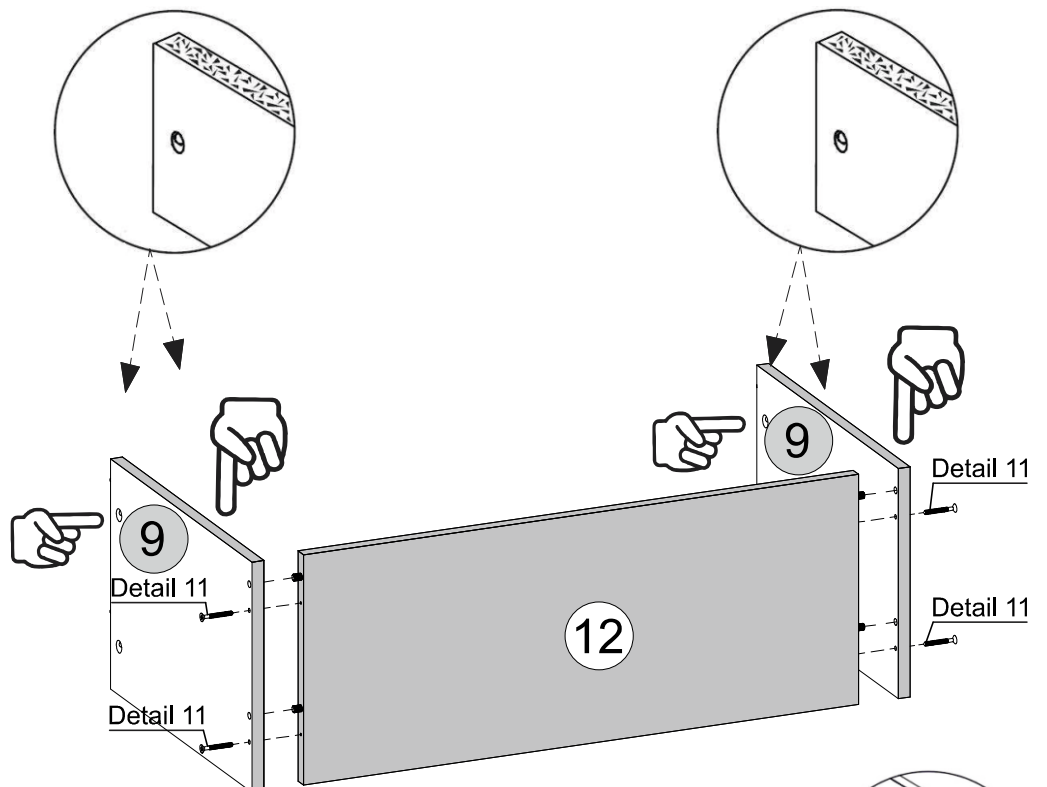
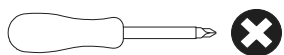
9 - LARGE DRAWER SIDE x2

12- LARGE DRAWER BACK x1

**HARDWARE REQUIRED**



**TOOLS REQUIRED**



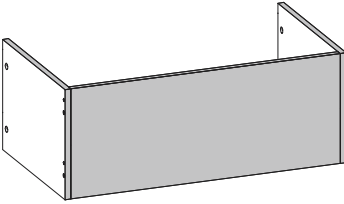
Detail 11



# STEP 35

**PARTS REQUIRED**

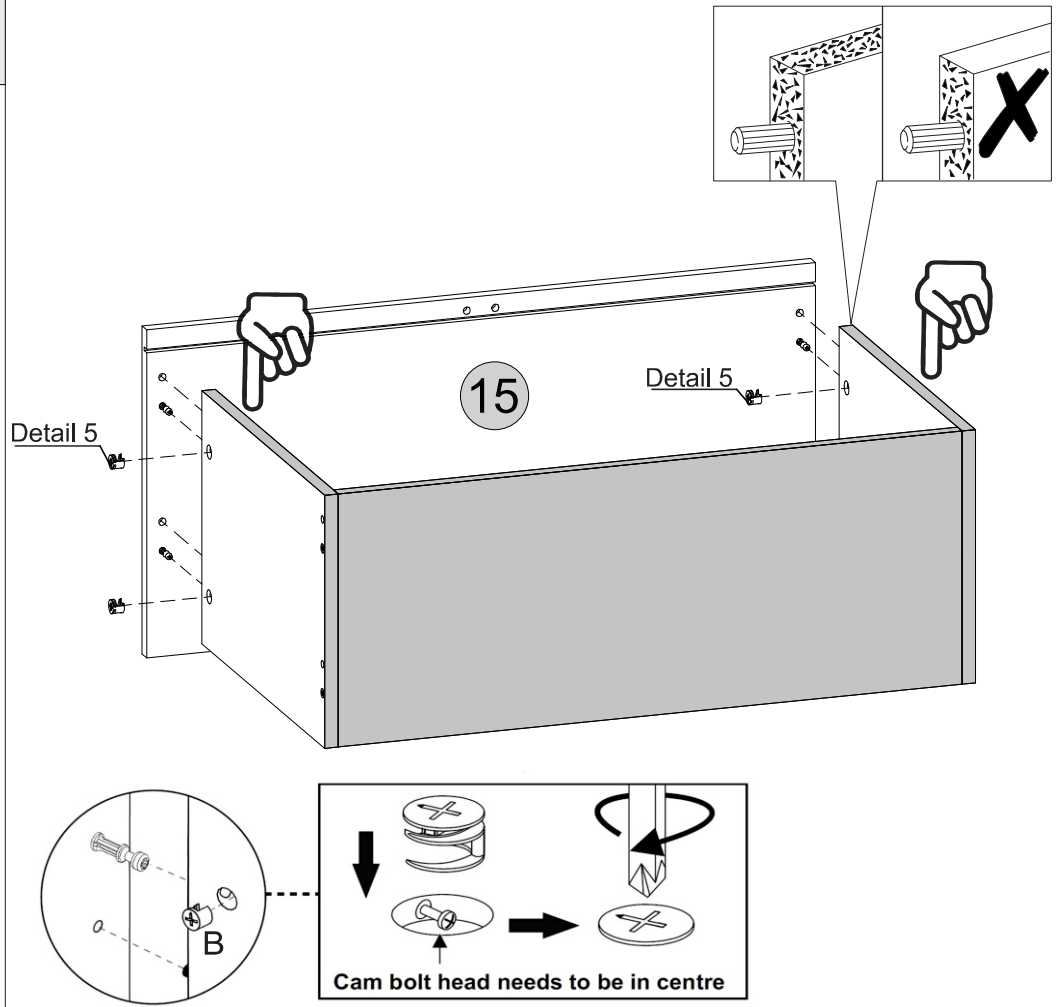
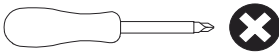
15- LARGE DRAWER FRONT x1



**HARDWARE REQUIRED**

B  04

**TOOLS REQUIRED**

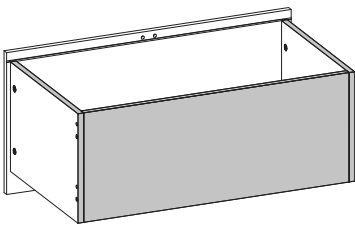


# STEP 36


**PARTS REQUIRED**

20- LARGE DRAWER BOTTOM x1

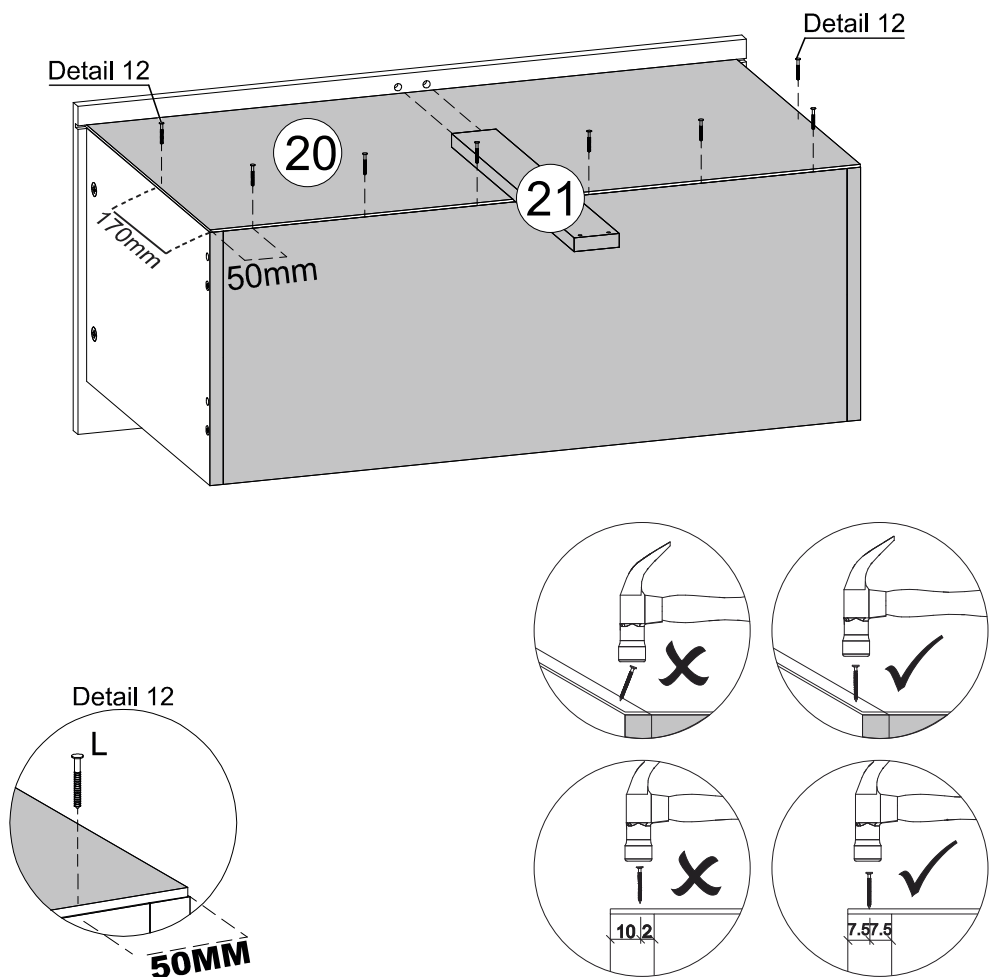
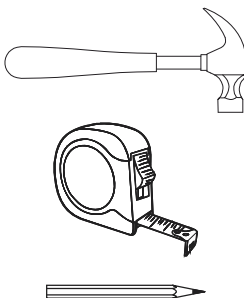
21- DRAWER SUPPORT x1



**HARDWARE REQUIRED**

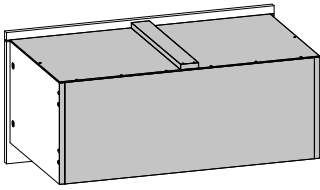
L  08

**TOOLS REQUIRED**

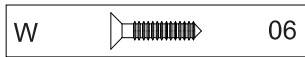
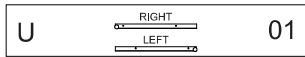


# STEP 37

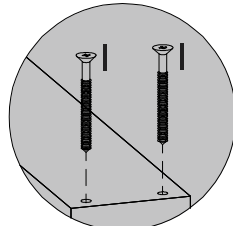
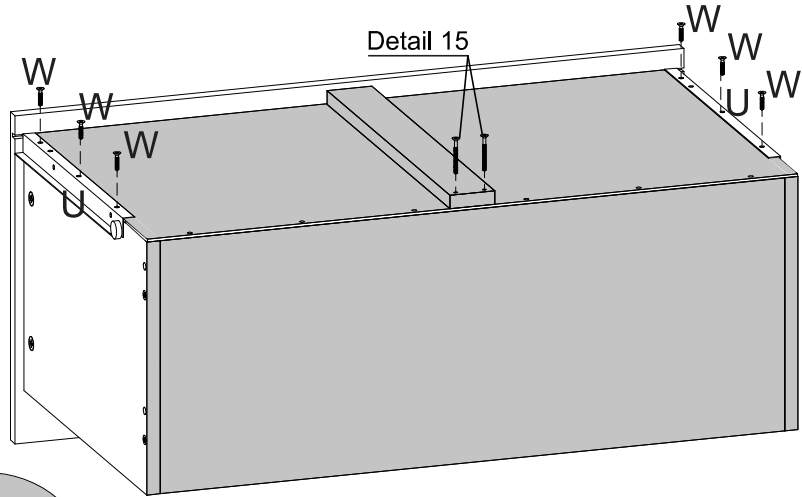
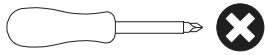
**PARTS REQUIRED**



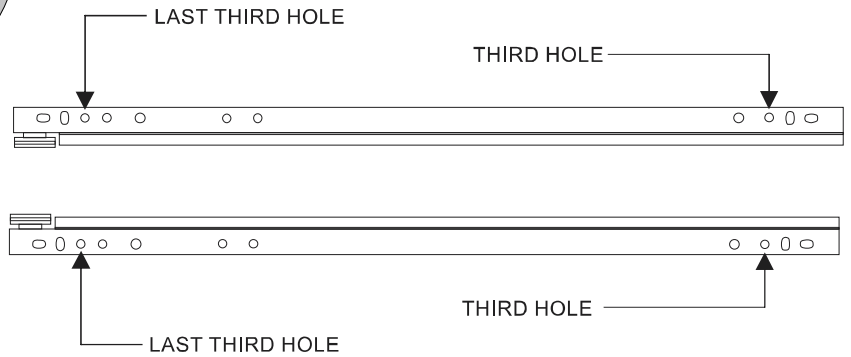
**HARDWARE REQUIRED**



**TOOLS REQUIRED**

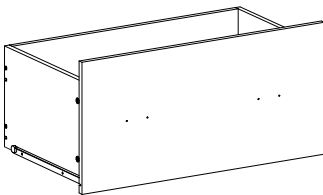


Detail 15

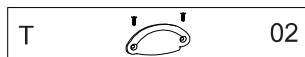
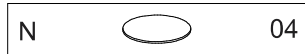


# STEP 38

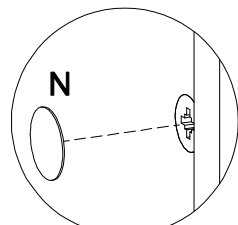
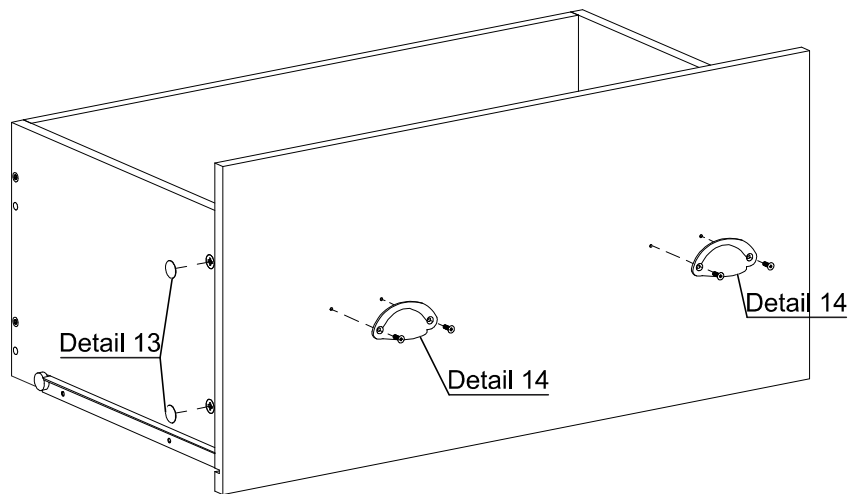
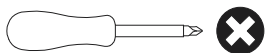
**PARTS REQUIRED**



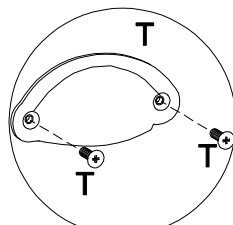
**HARDWARE REQUIRED**



**TOOLS REQUIRED**



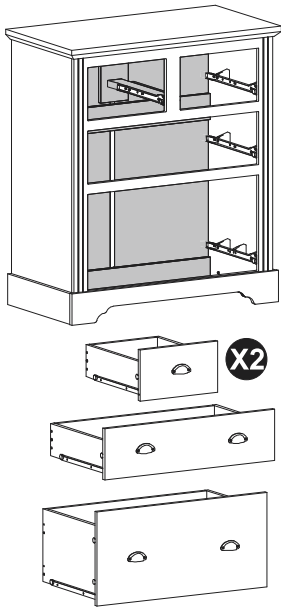
Detail 13



Detail 14

# STEP 39

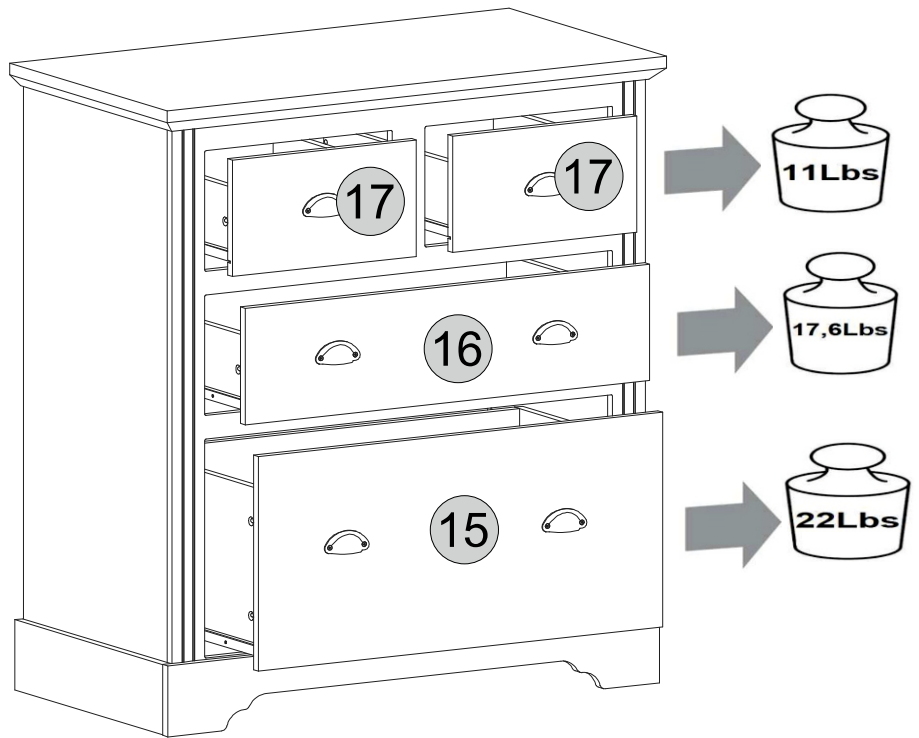
**PARTS REQUIRED**



**HARDWARE REQUIRED**

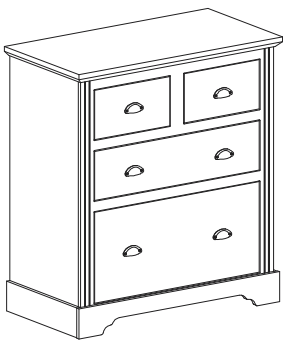
**TOOLS REQUIRED**

**TIP**  
 If desired, after assembly use an alcohol cleaner to erase the number printed on the parts.



# STEP 40

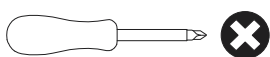
**PARTS REQUIRED**



**HARDWARE REQUIRED**

D		02
F		01
R		01

**TOOLS REQUIRED**



## WARNING

**Serious or fatal injuries can occur from furniture tipping over. To prevent the furniture from tipping over we recommend that it is permanently fixed to the wall.**

Wall fixings are not supplied with this product as different wall materials require different types of fixing devices. Please make sure you use fixings suitable for the walls in your home.

