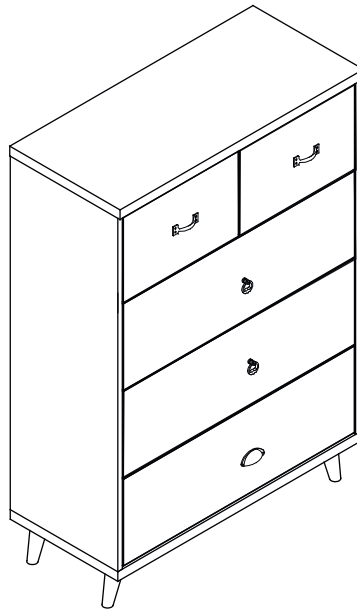


GREY/CHARCOAL CONCRETE EFFECT NORDIC 3+2 DRAWER CHEST ASSEMBLY INSTRUCTIONS



FOR DOMESTIC USE ONLY
IMPORTANT
PLEASE READ BEFORE YOU CONTINUE FURTHER

THE PRODUCT YOU HAVE PURCHASED WILL GIVE YOU MANY YEARS OF SERVICE IF YOU FOLLOW THE GUIDELINES FOR ITS SAFE ASSEMBLY AND PERIODIC MAINTENANCE AND CLEANING.

ASSEMBLE ON A SOFT CLEAN SURFACE.

DO NOT USE ANY TOOLS OTHER THAN THOSE SHOWN.

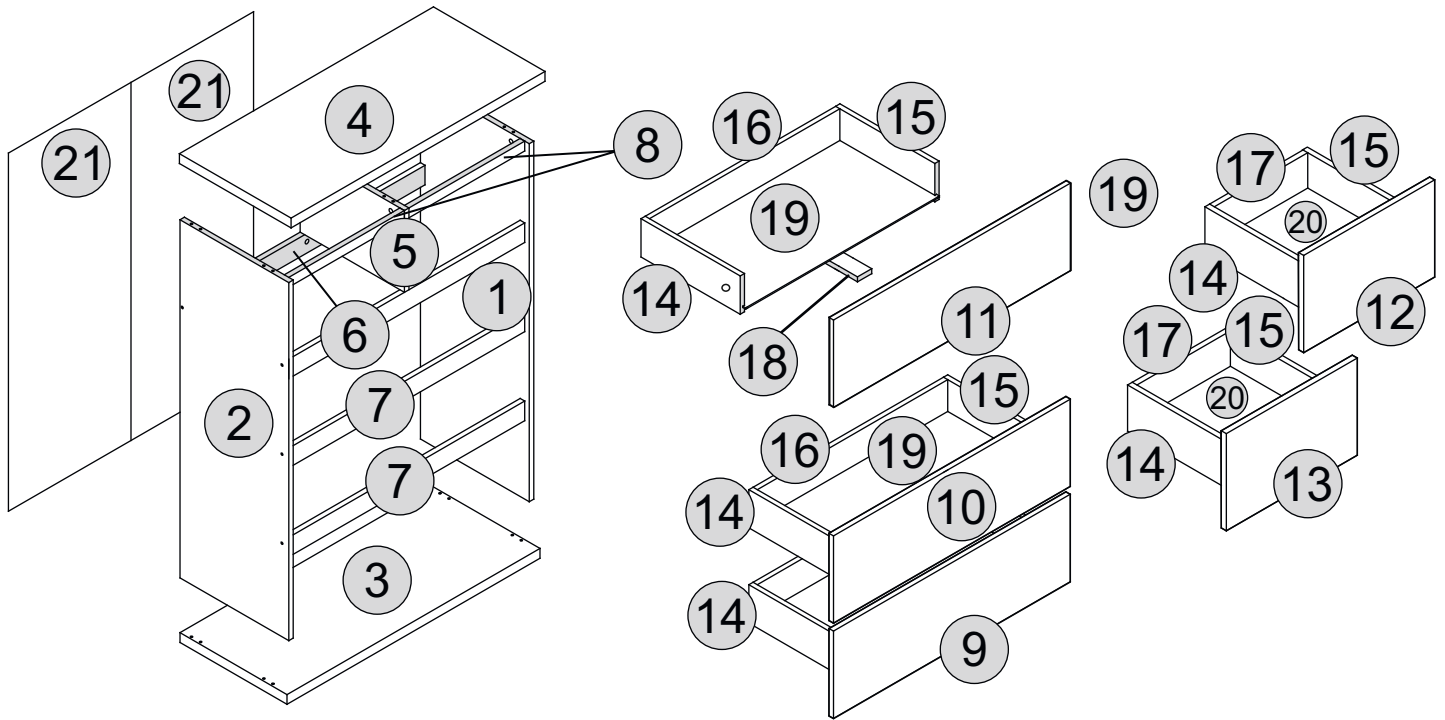
ANY SPANNERS OR ALLEN KEYS REQUIRED ARE INCLUDED WITH THE FITTING KIT.

DO NOT FOR ANY REASON USE A POWER TOOL TO ASSEMBLE THIS PRODUCT. ITS USE WILL INVALIDATE ANY CLAIM YOU MAY HAVE AND COULD MAKE THIS PRODUCT UNSAFE.

DEPENDING ON THE AMOUNT OF USE THIS PRODUCT RECEIVES, IT MAY BE NECESSARY TO TIGHTEN UP THE FIXINGS FROM TIME TO TIME. THIS IS COMPLETELY NORMAL FOR ANY FLAT PACK FURNITURE. DO NOT OVERTIGHTEN FIXINGS.

FOR CLEANING, YOU MAY USE A DAMP CLOTH (NOT WET). DO NOT USE POLISH, DETERGENT OR CHEMICAL CLEANERS.

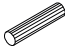
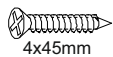






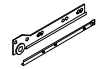

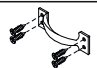




THIS SURFACE OF THIS ITEM IS NOT HEAT RESISTANT. ALWAYS USE A PLACE MAT UNDER HOT OR COLD ITEMS TO PREVENT MARKING.



PART LIST

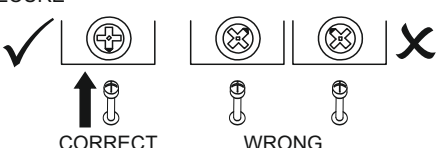
Part Number	Part Code	Part Description	Quantity	Carton
1	S100-102-153-TA1-01	Right Side Panel	1	1/2
2	S100-102-153-TA1-02	Left Side Panel	1	1/2
3	S100-102-153-TA1-03	Bottom Panel	1	1/2
4	S100-102-153-TA1-04	Top Panel	1	1/2
5	S100-102-153-TA1-05	Centre Panel	1	1/2
6	S100-102-153-TA1-06	Support Top	2	1/2
7	S100-102-153-TA1-07	Centre Support	2	1/2
8	S100-102-153-TA1-08	Support Panel	2	1/2
9	S100-102-153-TA1-09	Drawer Front Large	1	1/2
10	S100-102-153-TA1-10	Drawer Front Large	1	1/2
11	S100-102-153-TA1-11	Drawer Front Large	1	1/2
12	S100-102-153-TA1-12	Right Drawer Front Small	1	1/2
13	S100-102-153-TA1-13	Left Drawer Front Small	1	1/2
14	S100-102-153-TA1-14	Left Drawer Side	5	2/2
15	S100-102-153-TA1-15	Right Drawer Side	5	2/2
16	S100-102-153-TA1-16	Drawer Back Large	3	1/2
17	S100-102-153-TA1-17	Drawer Back Small	2	2/2
18	S100-102-153-TA1-18	Drawer Support	3	1/2
19	S100-102-153-TA1-19	Drawer Base Large	3	1/2
20	S100-102-153-TA1-20	Drawer Base Small	2	1/2
21	S100-102-153-TA1-21	Back Panel	2	1/2

HARDWARE LIST

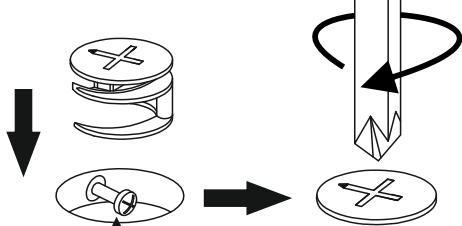
No.	Part Name		Qty	Carton
A	Wooden Dowel (6x25mm)		x42	1
B	45mm Screw (4x45mm)		x12	1
C	14mm Screw (3.5x14mm)		x64	1
D	38mm Screw (4x38mm)		x23	1
E	Cam Bolt (8032T)		x21	1
F	Cam Nut (1512)		x21	1
G	Wood Leg + Plastic Foot		x4	2
H	6/8" Nail		x45	1
I	14" Drawer Slide		x5	1
J	PVC L-Bracket		x2	1
K	Handle+Screw (3x16mm=8pcs)		x2	1
L	Screw Cover (CB-White)		x8	1
M	Handle+Screw ^{T-4538} (4x20mm=2pcs)		x2	1
N	Handle+Screw ^{Y-8238} (3x16mm=2pcs)		x1	1
O	Wall Fixings (4x20mm=1pc)		x1	1

TIPS FOR FITTINGS CAM-LOCKS

WHEN FITTING CAM NUT. ENSURE STARTING POSITION IS CORRECT BEFORE YOU INSERT CONNECTING CAM BOLT TURN CLOCKWISE UNTIL SECURE



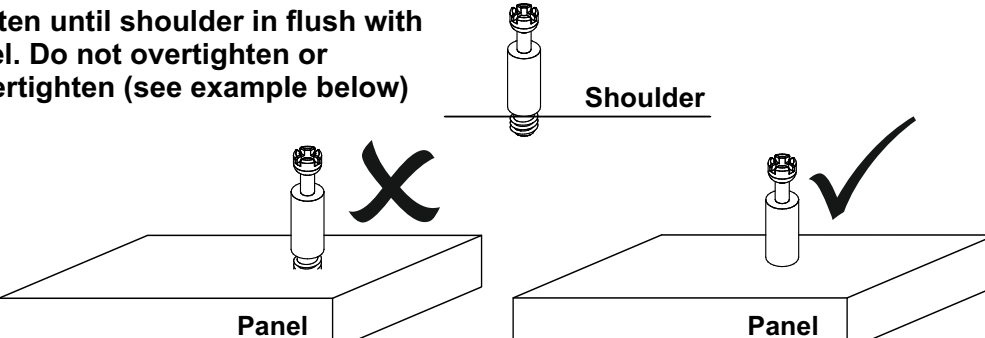
CORRECT **WRONG**



Cam bolt head needs to be in centre

CAMBOLT

Tighten until shoulder in flush with panel. Do not overtighten or undertighten (see example below)



Panel **Panel**

Shoulder

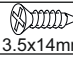
STEP 1

PARTS REQUIRED

2 - LEFT SIDE PANEL x1

HARDWARE REQUIRED

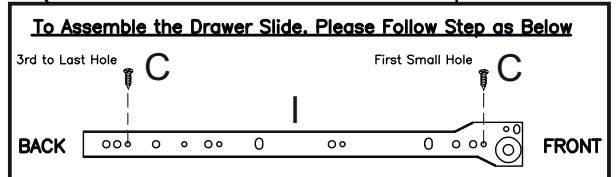
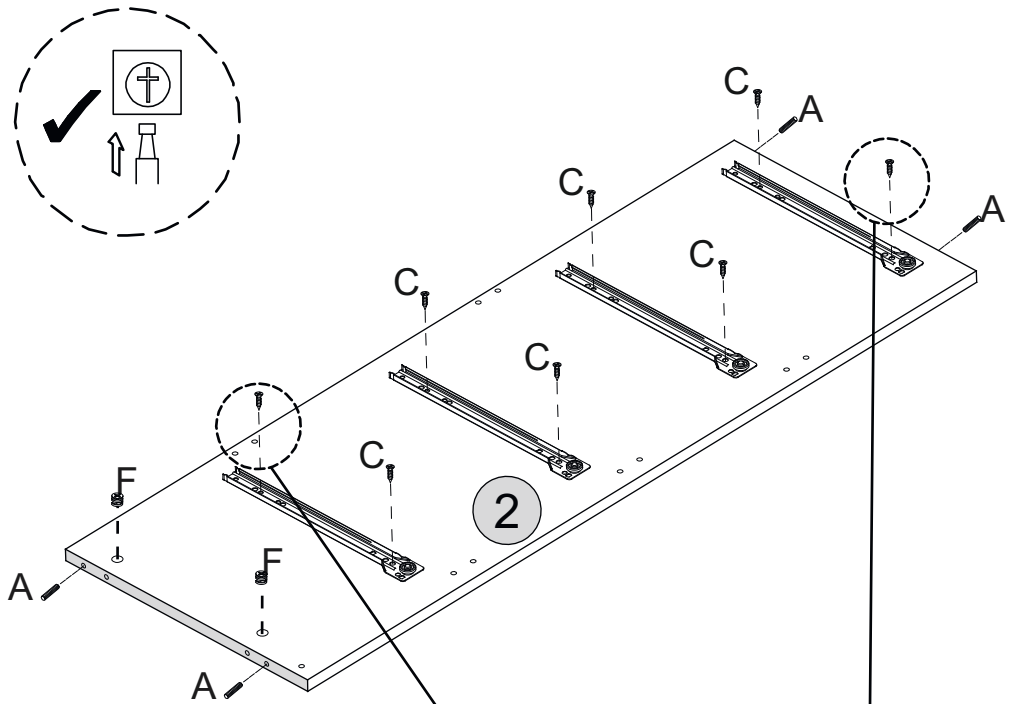
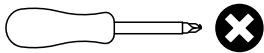
A  04

C  3.5x14mm 08

F  02

I  04

TOOLS REQUIRED



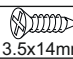
STEP 2

PARTS REQUIRED

1 - RIGHT SIDE PANEL x1

HARDWARE REQUIRED

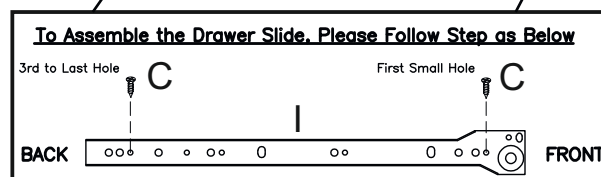
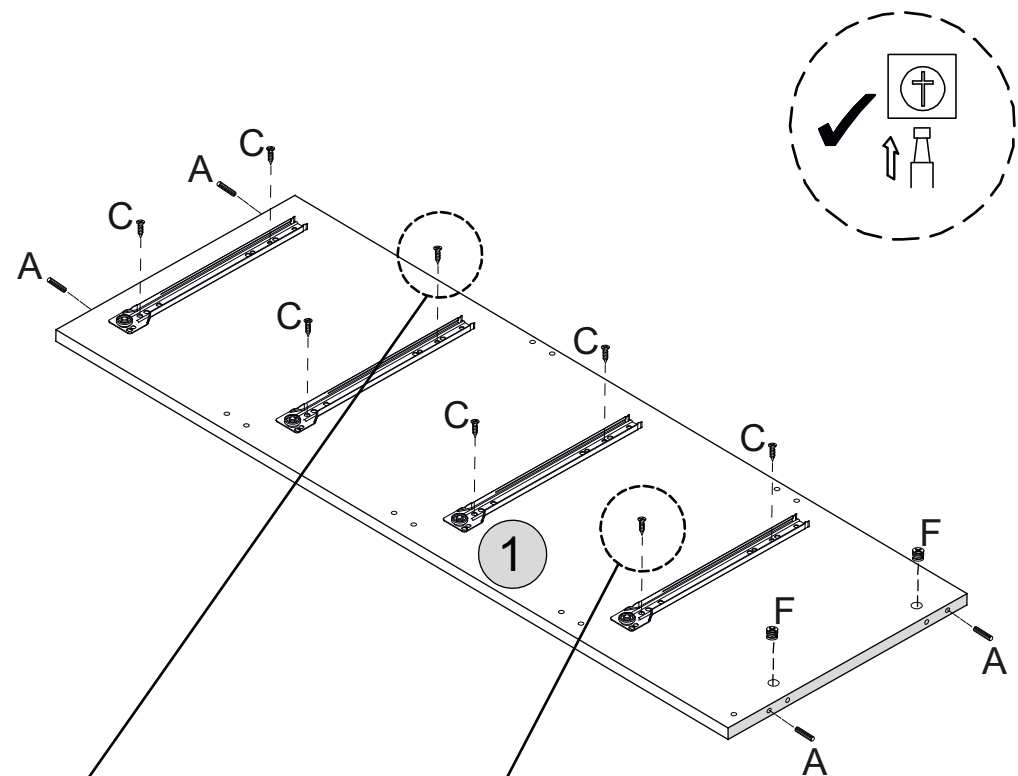
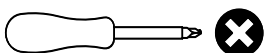
A  04

C  3.5x14mm 08

F  02

I  04

TOOLS REQUIRED







STEP 3

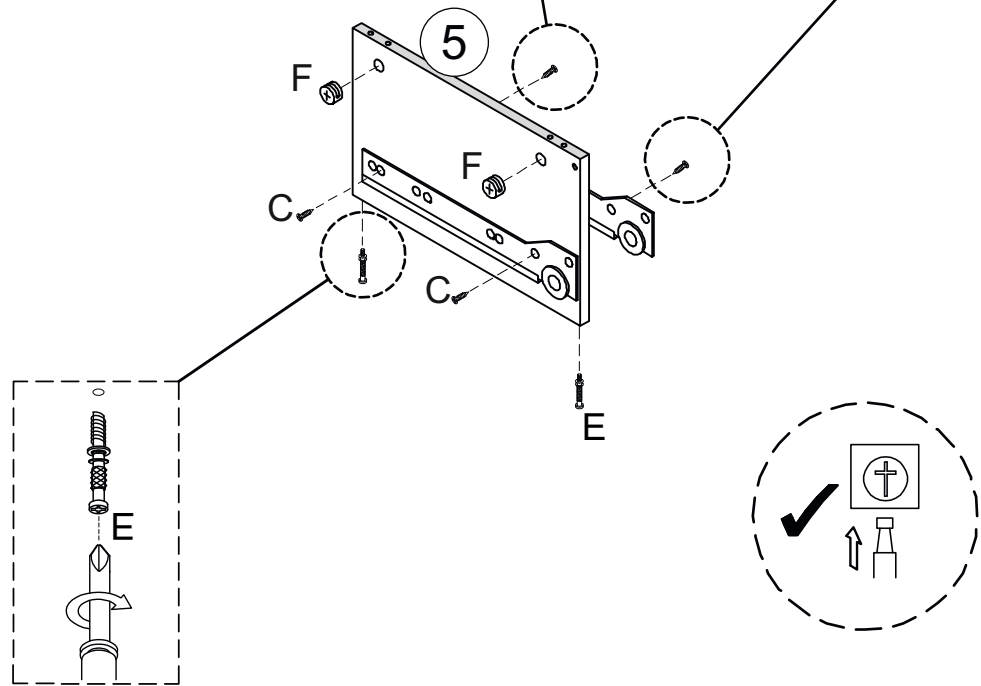
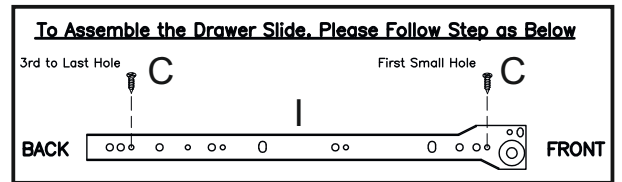
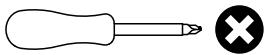
PARTS REQUIRED

5 - CENTRE PANEL x1

HARDWARE REQUIRED

- C  04
3.5x14mm
- E  02
- F  02
- I  02

TOOLS REQUIRED



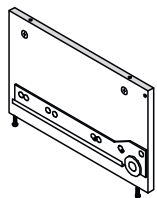
STEP 4

PARTS REQUIRED

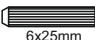

6 - SUPPORT TOP x2

7 - CENTRE SUPPORT x2

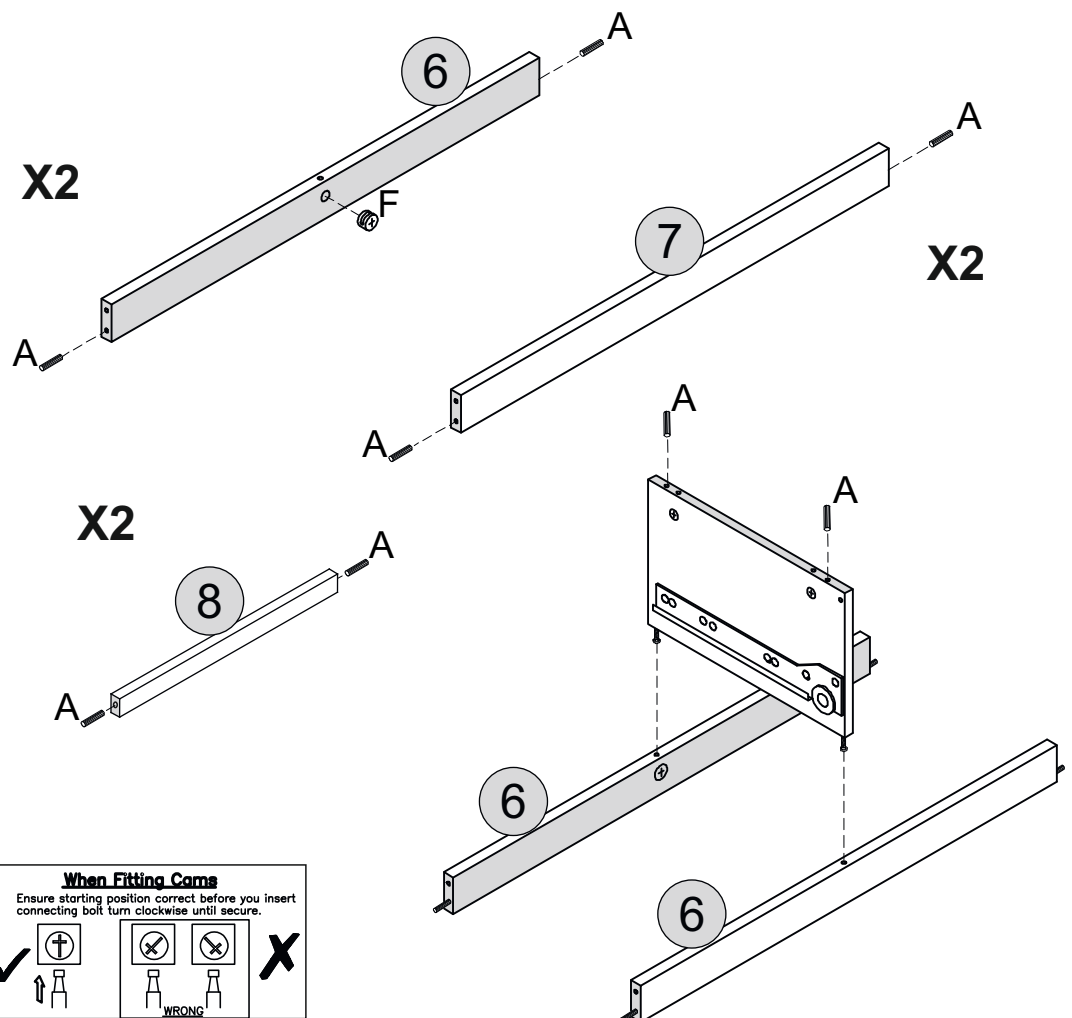
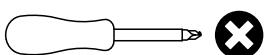
8 - SUPPORT PANEL x2



HARDWARE REQUIRED

- A  14
6x25mm
- F  02

TOOLS REQUIRED

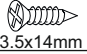


STEP 5

PARTS REQUIRED

4 - TOP PANEL x1

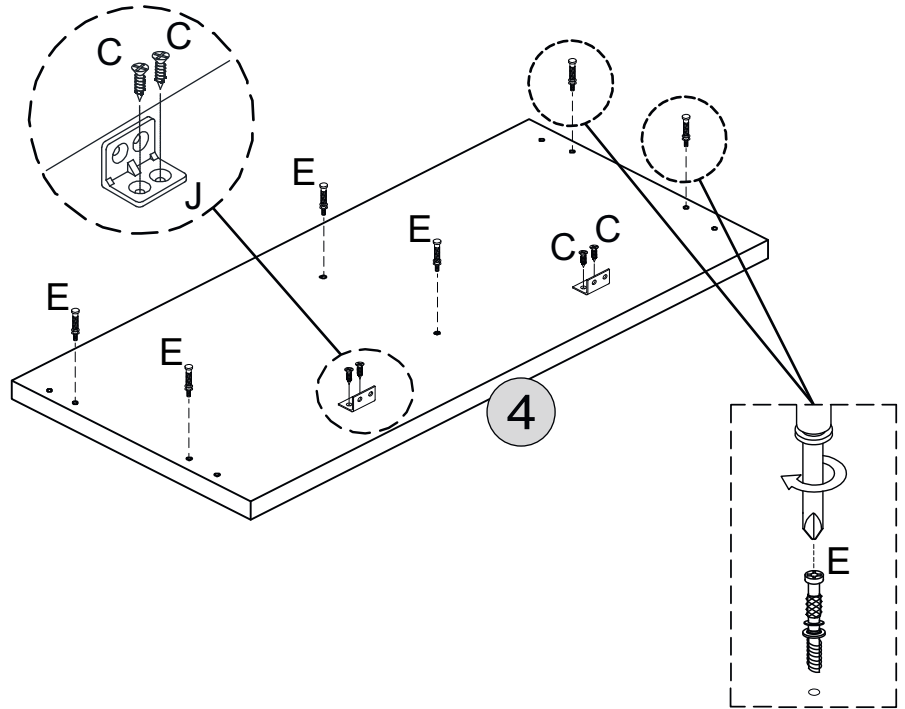
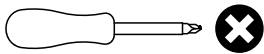
HARDWARE REQUIRED

C  04
3.5x14mm

E  06

J  02

TOOLS REQUIRED

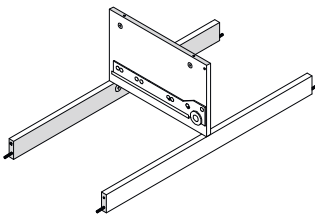


STEP 6

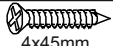
PARTS REQUIRED

2 - LEFT SIDE PANEL x1

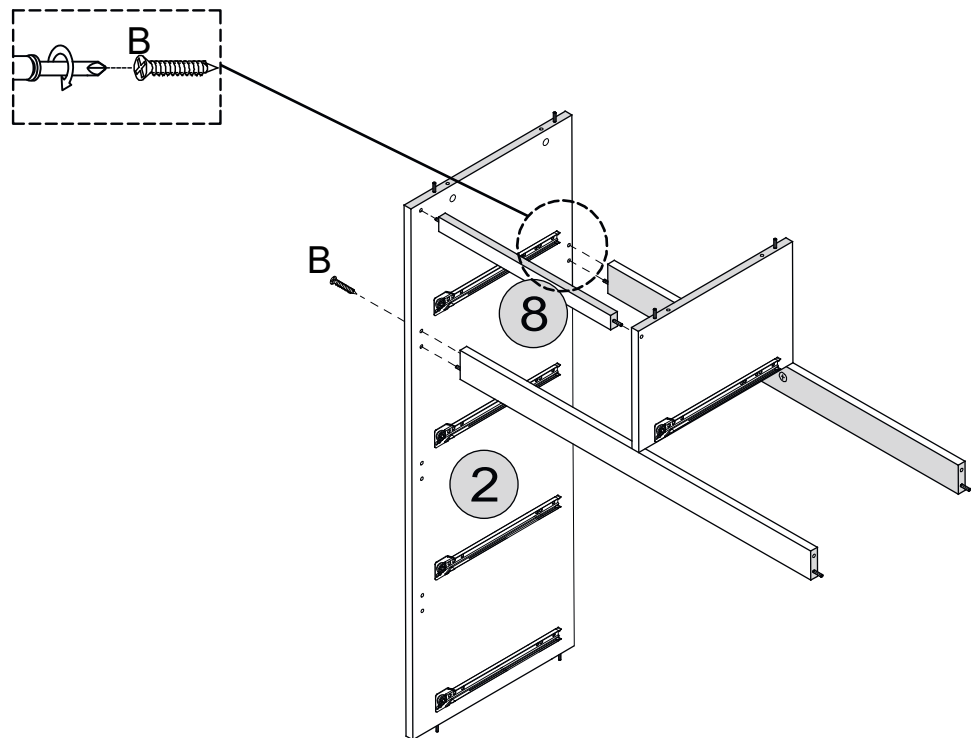
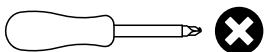
8 - SUPPORT PANEL x1



HARDWARE REQUIRED

B  02
4x45mm

TOOLS REQUIRED



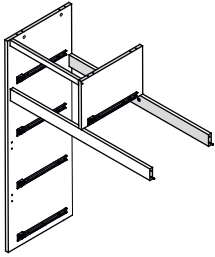
STEP 7

PARTS REQUIRED


1 - RIGHT SIDE PANEL x1

7 - CENTRE SUPPORT x2

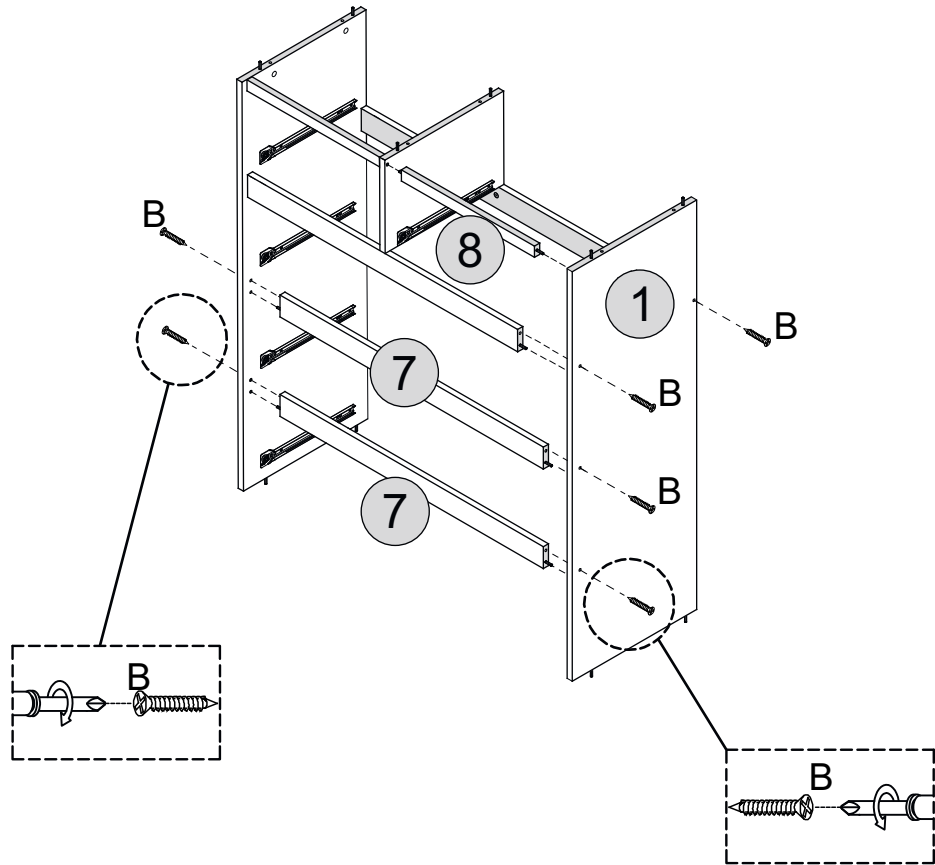
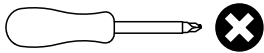
8 - SUPPORT PANEL x1



HARDWARE REQUIRED

B  06

TOOLS REQUIRED

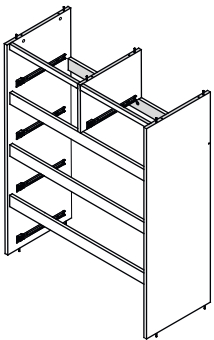


STEP 8

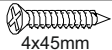
PARTS REQUIRED


3 - BOTTOM PANEL x1

4 - TOP PANEL x1

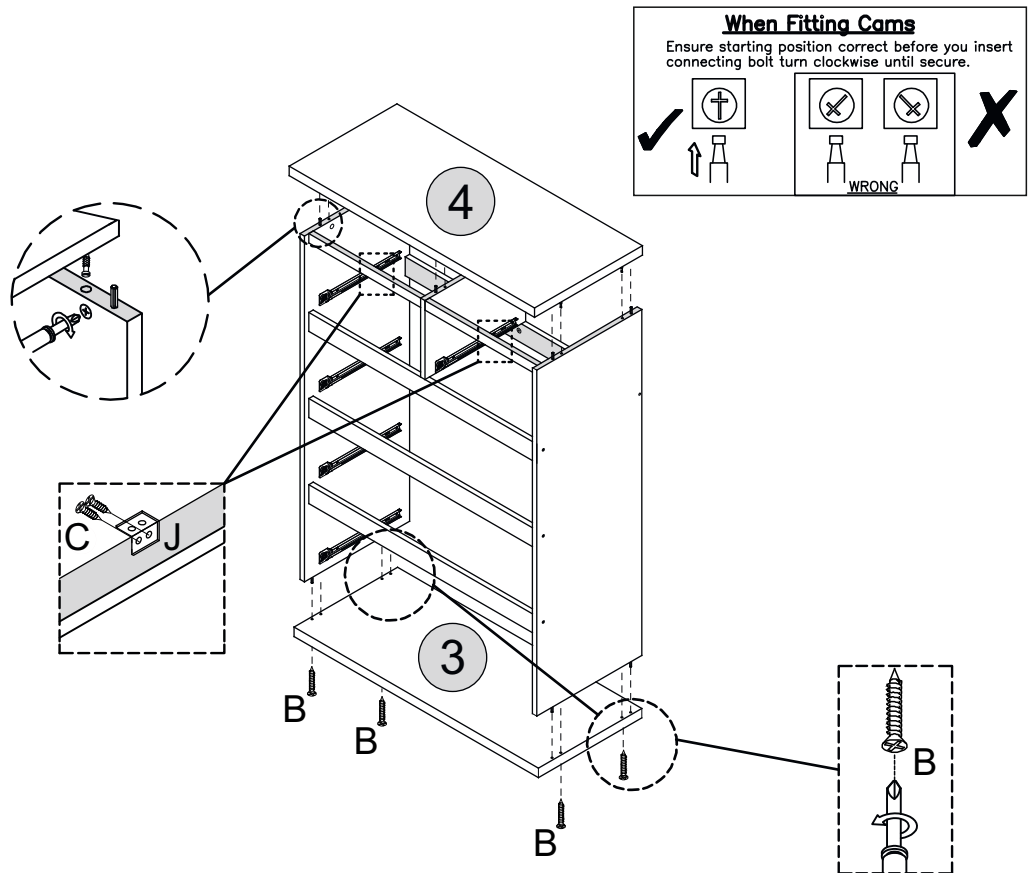
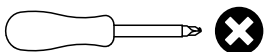


HARDWARE REQUIRED

B  04

C  04

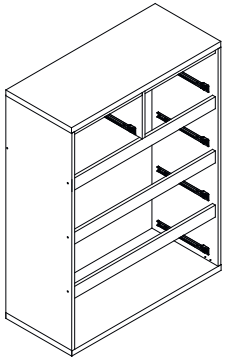
TOOLS REQUIRED



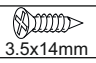
STEP 9


PARTS REQUIRED

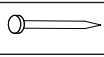
21 - BACK PANEL x2



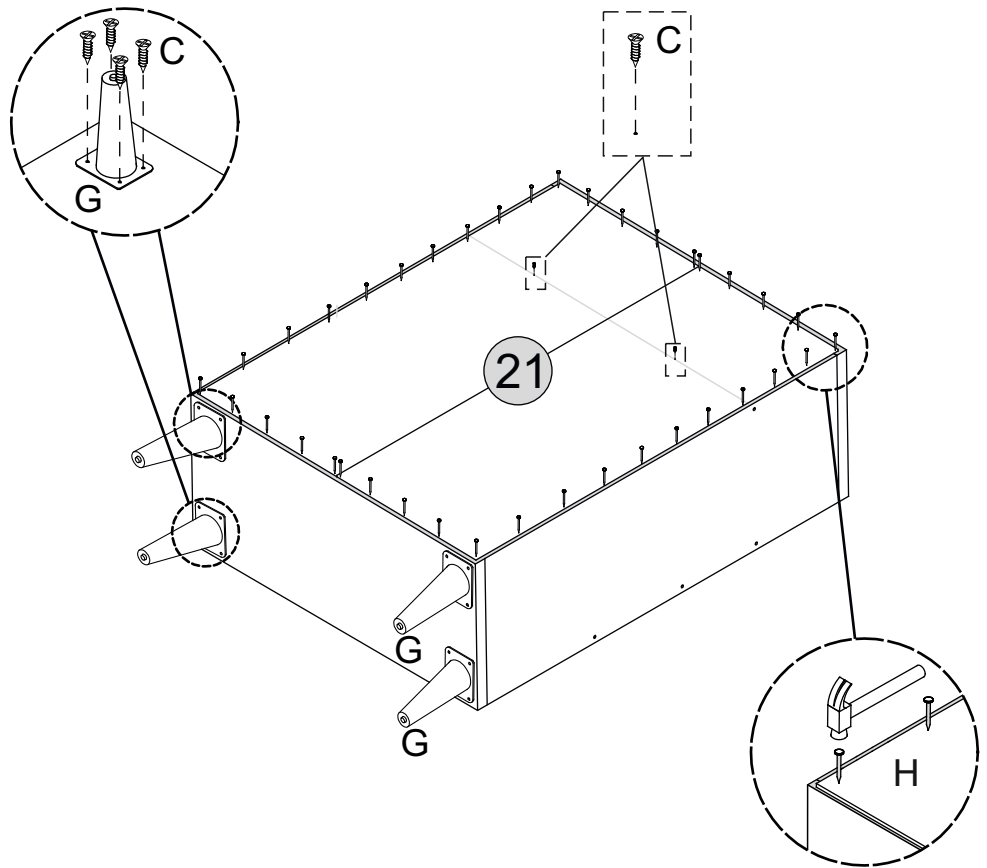
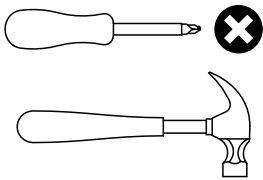
HARDWARE REQUIRED

C  18
3.5x14mm

G  04

H  45

TOOLS REQUIRED



STEP 10

PARTS REQUIRED

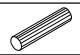
9 - DRAWER FRONT LARGE x1

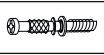
14 -LEFT DRAWER SIDE x1

15 -RIGHT DRAWER SIDE x1

18 -DRAWER SUPPORT x1

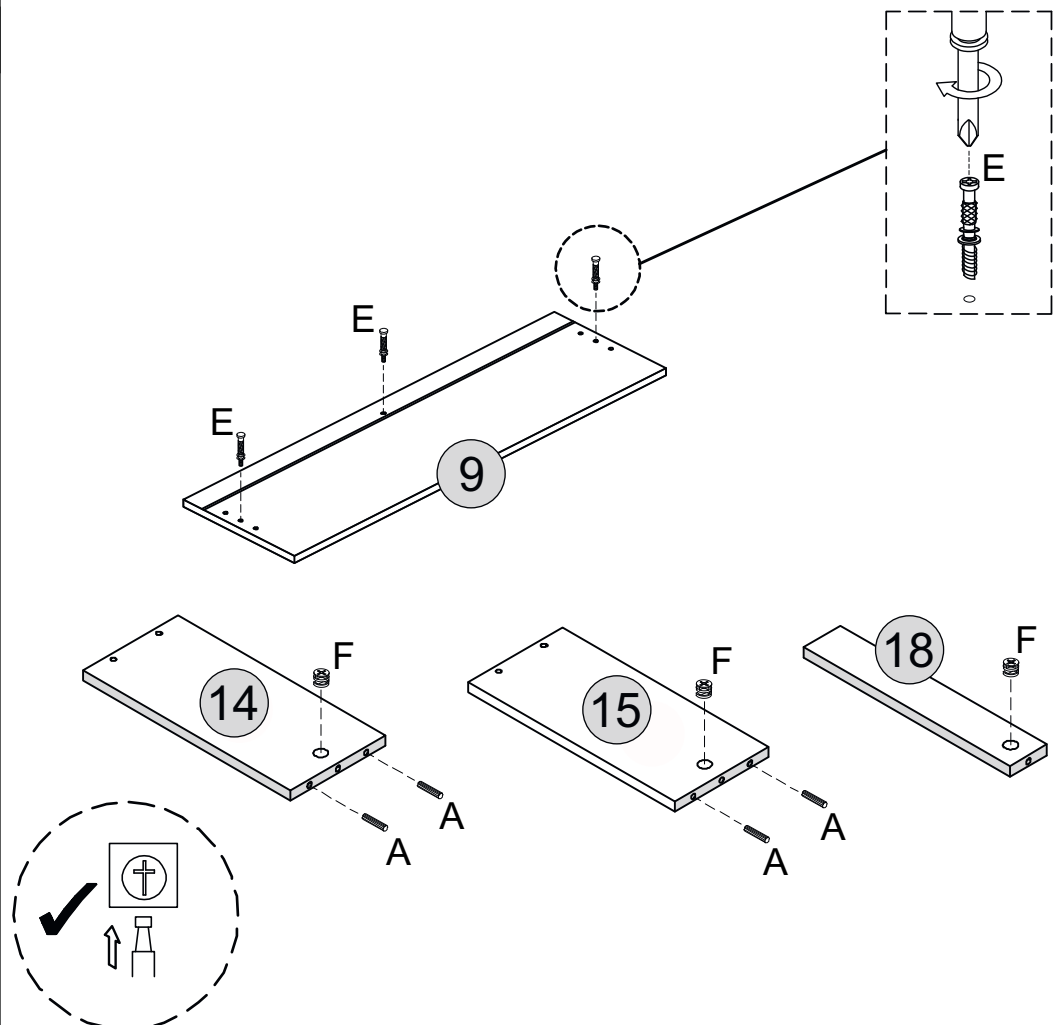
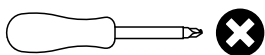
HARDWARE REQUIRED

A  04

E  03

F  03

TOOLS REQUIRED



STEP 11

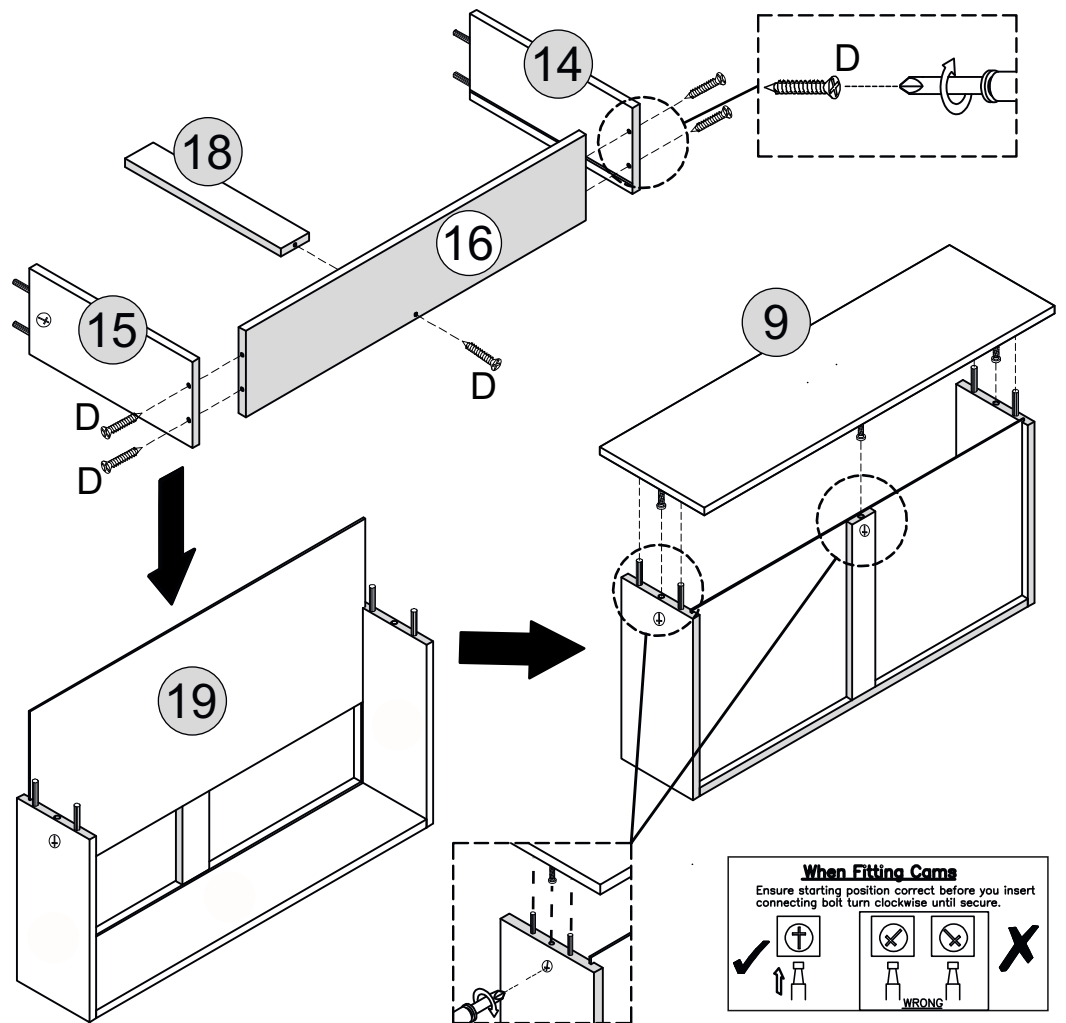
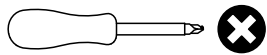
PARTS REQUIRED

- 9 - DRAWER FRONT LARGE x1
- 14 - LEFT DRAWER SIDE x1
- 15 - RIGHT DRAWER SIDE x1
- 16 - DRAWER BACK LARGE x1
- 18 - DRAWER SUPPORT x1
- 19 - DRAWER BASE LARGE x1

HARDWARE REQUIRED

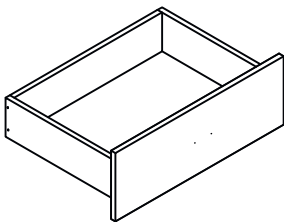
- D  05

TOOLS REQUIRED

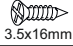




STEP 12

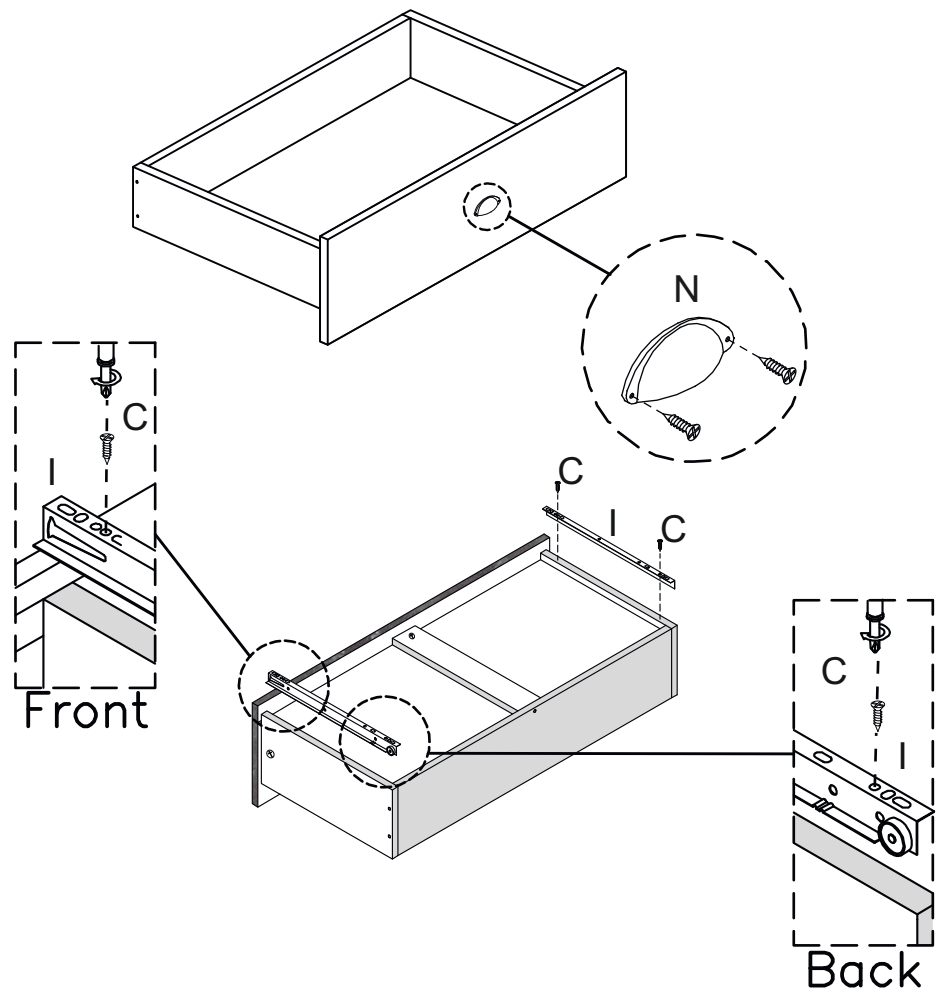
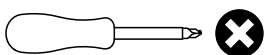
PARTS REQUIRED



HARDWARE REQUIRED

- C  04
- I  01
- N  01

TOOLS REQUIRED

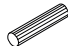




STEP 13

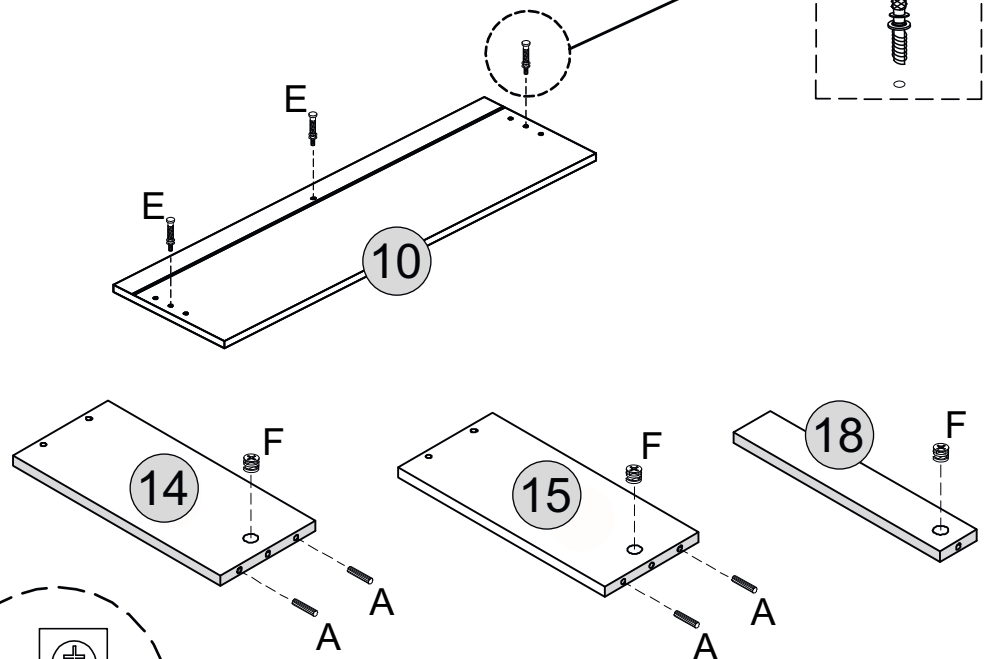
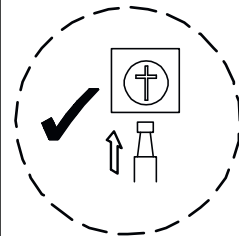
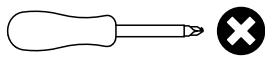
PARTS REQUIRED

10 -DRAWER FRONT LARGE	x1
14 -LEFT DRAWER SIDE	x1
15 -RIGHT DRAWER SIDE	x1
18 -DRAWER SUPPORT	x1

HARDWARE REQUIRED

A		04
E		03
F		03

TOOLS REQUIRED

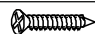


STEP 14

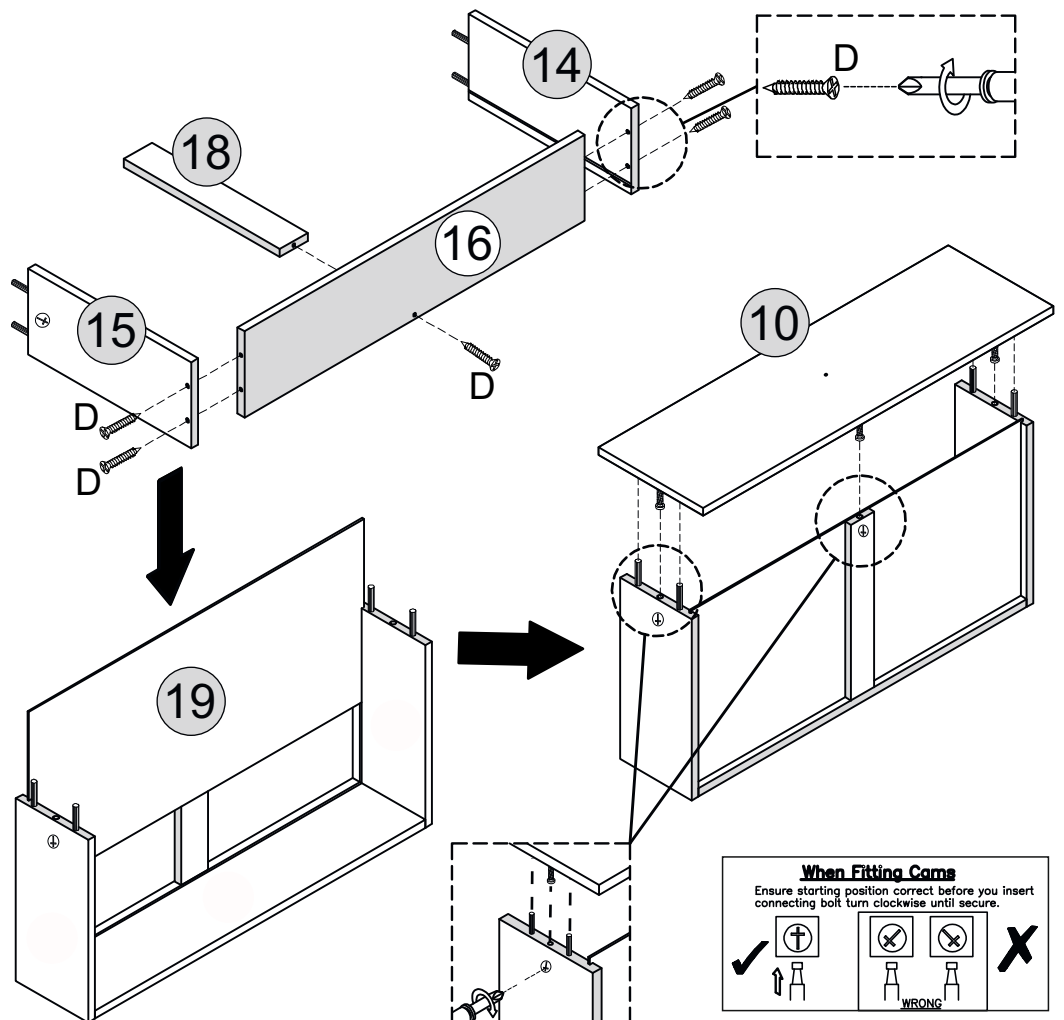
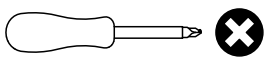
PARTS REQUIRED

10 -DRAWER FRONT LARGE	x1
14 -LEFT DRAWER SIDE	x1
15 -RIGHT DRAWER SIDE	x1
16 -DRAWER BACK LARGE	x1
18 -DRAWER SUPPORT	x1
19 -DRAWER BASE LARGE	x1

HARDWARE REQUIRED

D		05
---	---	----

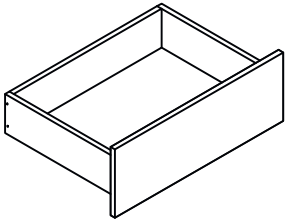
TOOLS REQUIRED



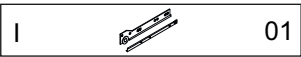
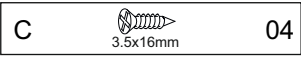
When Fitting Carms
Ensure starting position correct before you insert connecting bolt turn clockwise until secure.

STEP 15

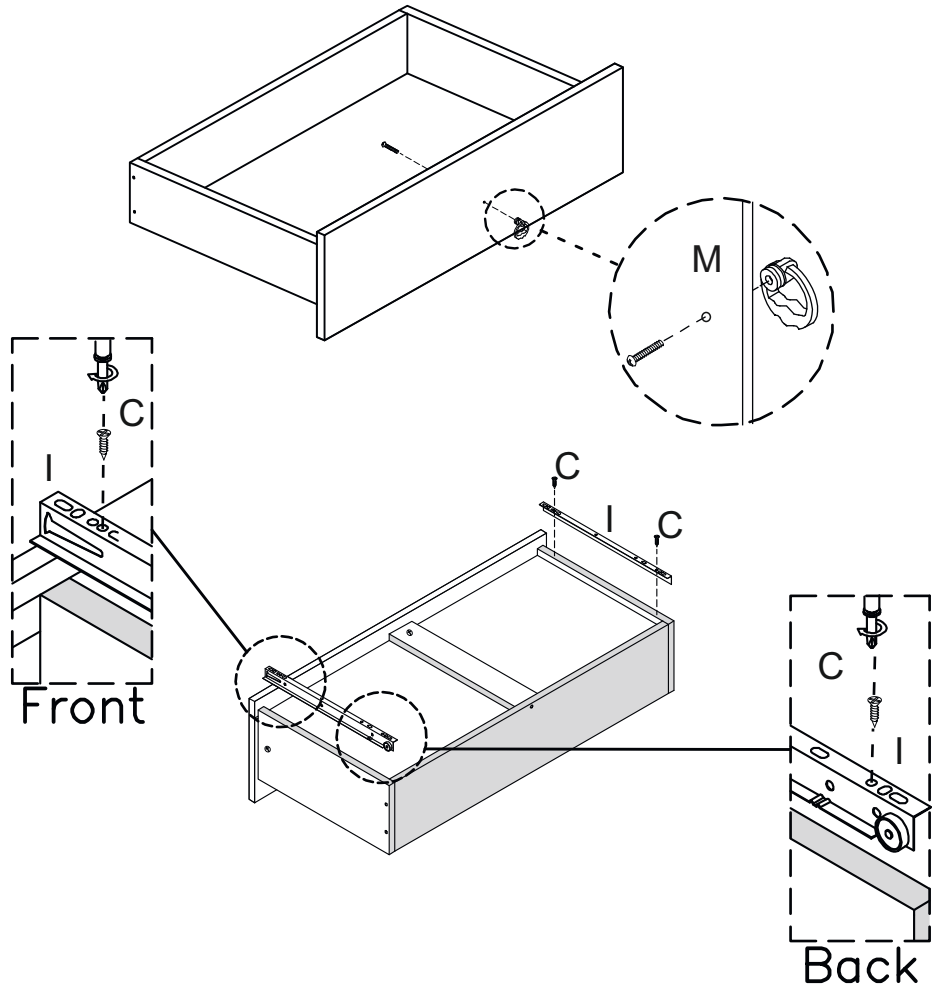
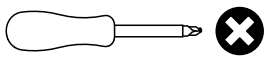
PARTS REQUIRED



HARDWARE REQUIRED



TOOLS REQUIRED

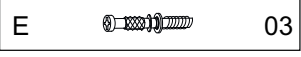
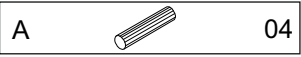


STEP 16

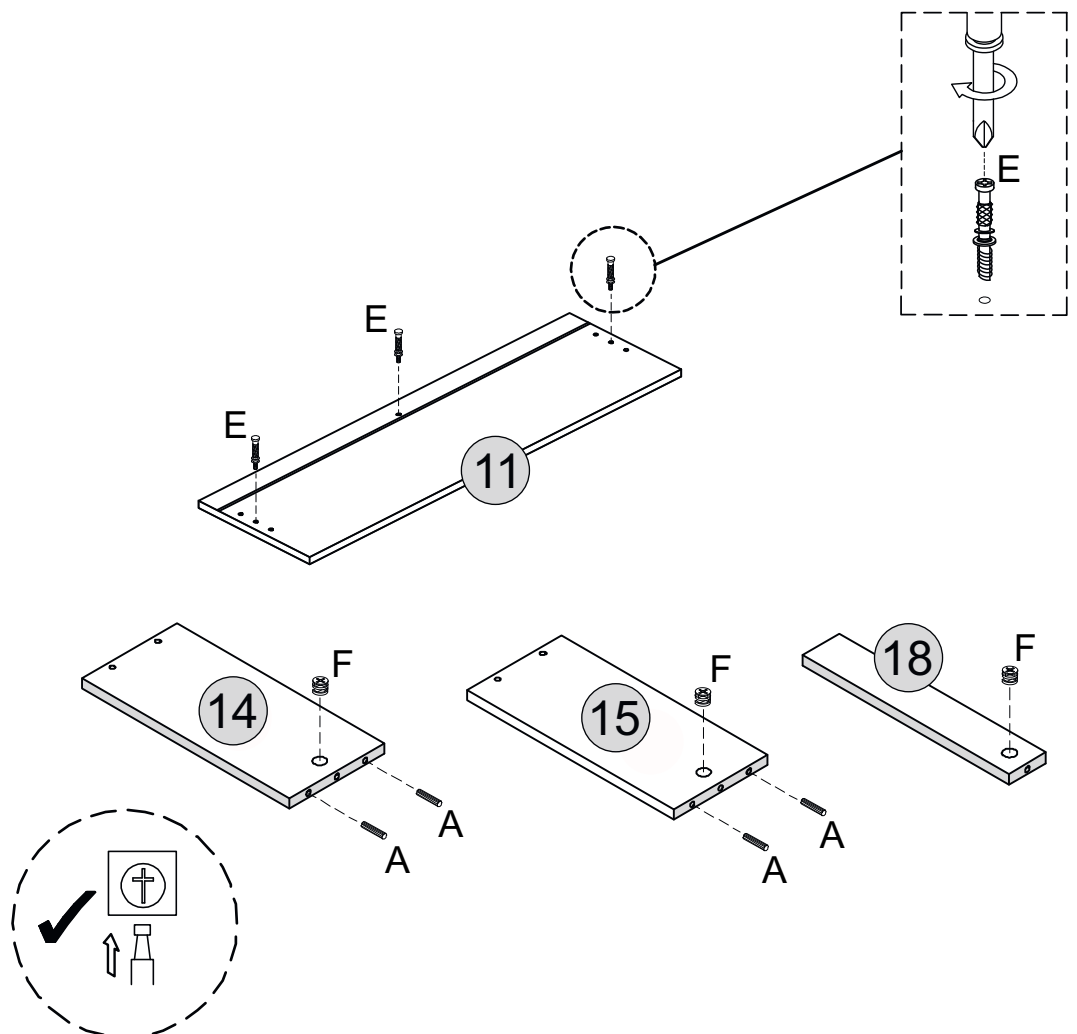
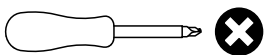
PARTS REQUIRED

- 11 - DRAWER FRONT LARGE x1
- 14 - LEFT DRAWER SIDE x1
- 15 - RIGHT DRAWER SIDE x1
- 18 - DRAWER SUPPORT x1

HARDWARE REQUIRED



TOOLS REQUIRED



STEP 17

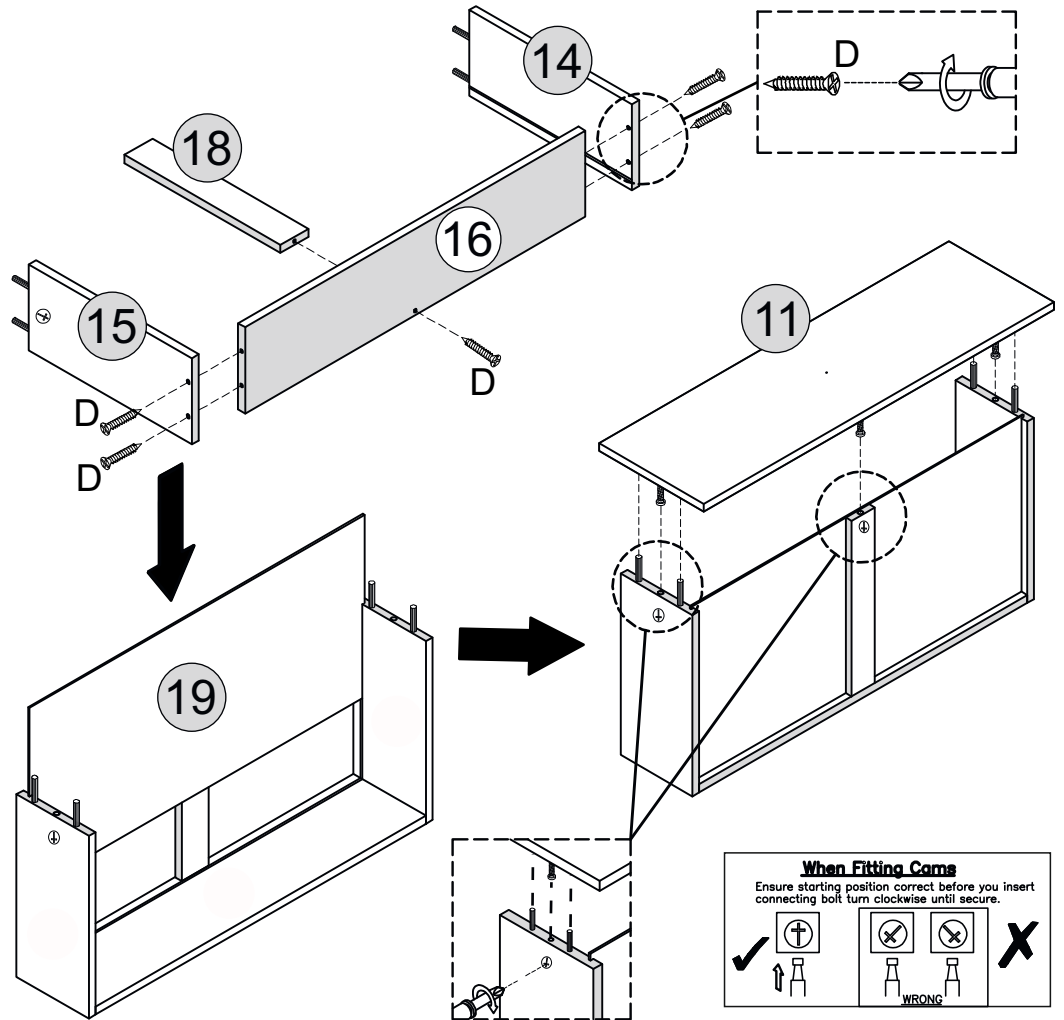
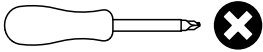
PARTS REQUIRED

- 11 - DRAWER FRONT LARGE x1
- 14 - LEFT DRAWER SIDE x1
- 15 - RIGHT DRAWER SIDE x1
- 16 - DRAWER BACK LARGE x1
- 18 - DRAWER SUPPORT x1
- 19 - DRAWER BASE LARGE x1

HARDWARE REQUIRED

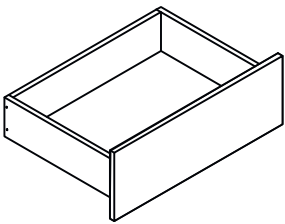


TOOLS REQUIRED

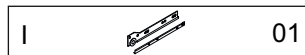
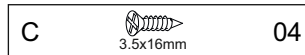


STEP 18

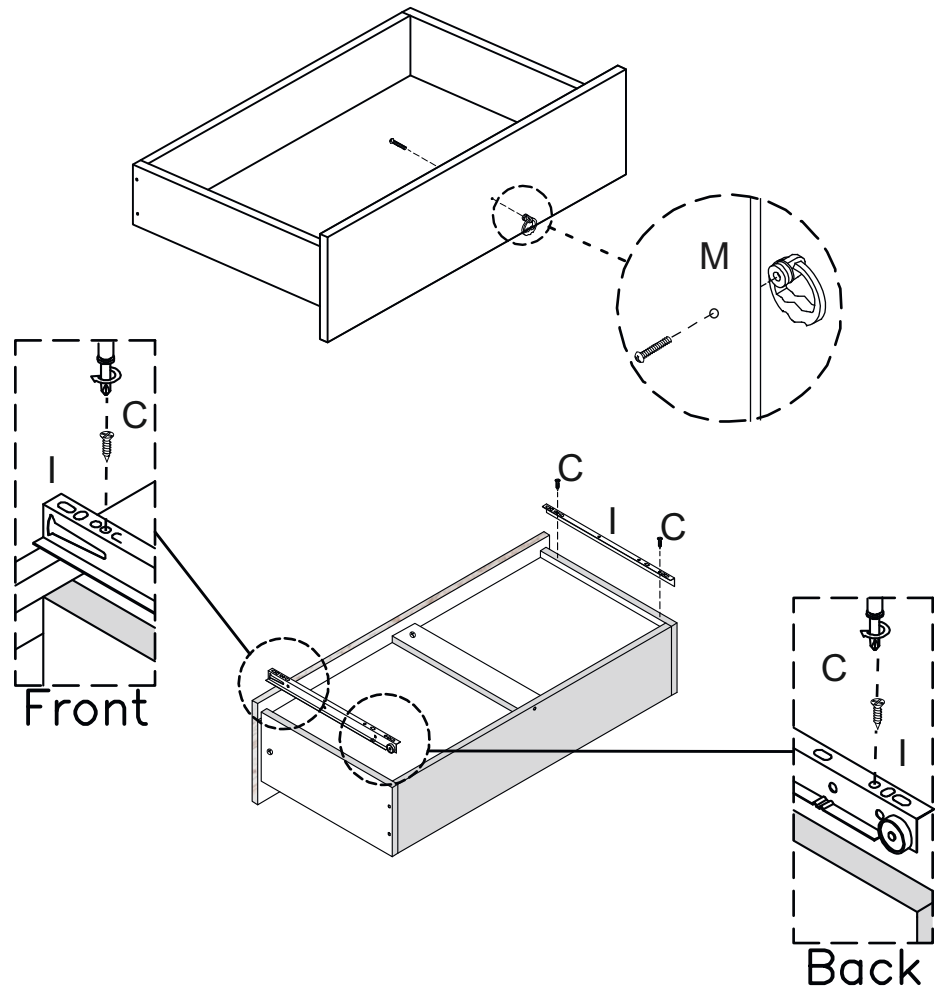
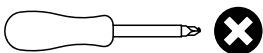
PARTS REQUIRED



HARDWARE REQUIRED



TOOLS REQUIRED

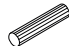




STEP 19

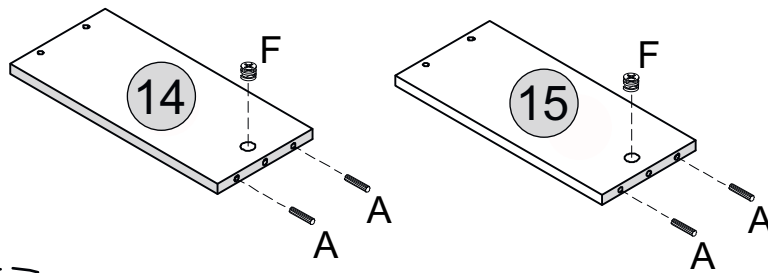
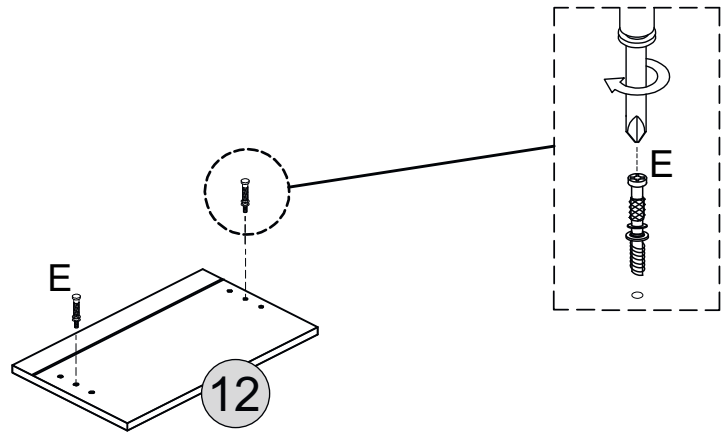
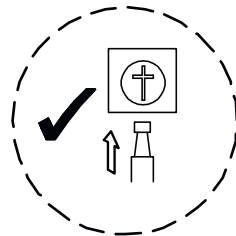
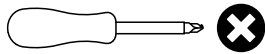
PARTS REQUIRED

12 -DRAWER FRONT LARGE	x1
14 -LEFT DRAWER SIDE	x1
15 -RIGHT DRAWER SIDE	x1

HARDWARE REQUIRED

A		04
E		02
F		02

TOOLS REQUIRED



STEP 20

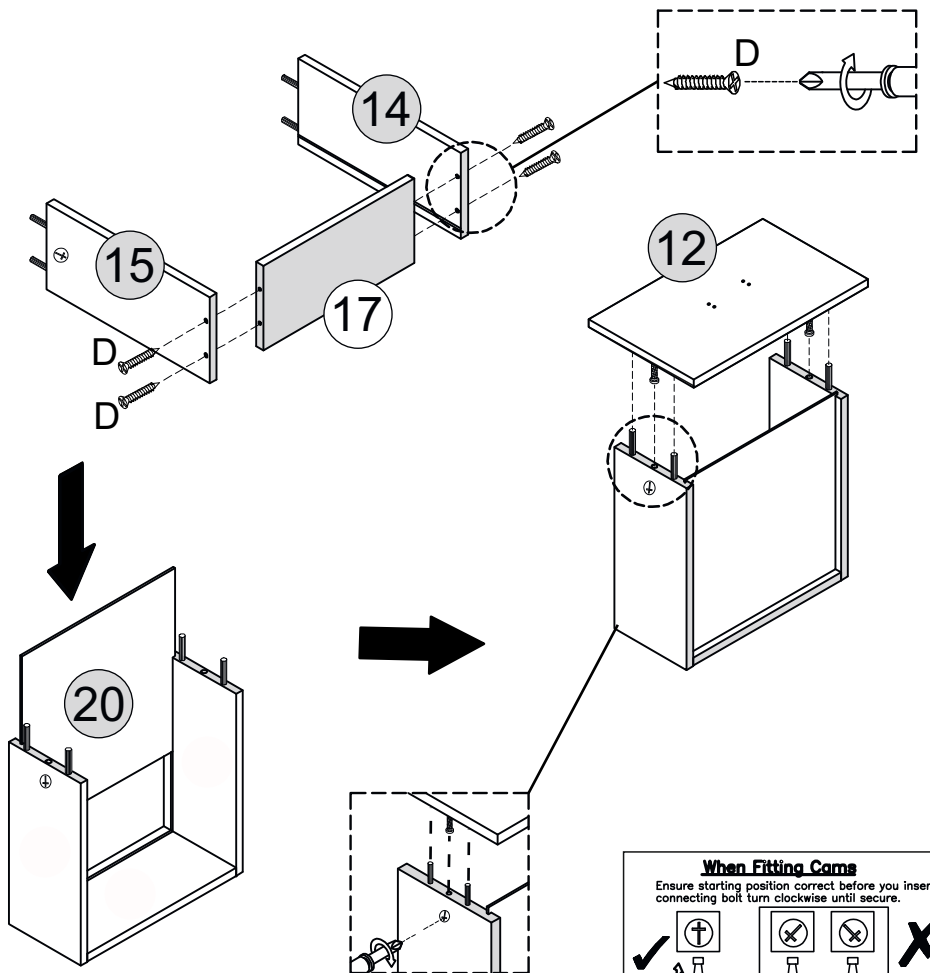
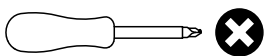
PARTS REQUIRED

12 -RIGHT DRAWER FRONT SMALLx1	
14 -LEFT DRAWER SIDE	x1
15 -RIGHT DRAWER SIDE	x1
17 -DRAWER BACK SMALL	x1
20 -DRAWER BASE SMALL	x1


HARDWARE REQUIRED

D		04
---	---	----

TOOLS REQUIRED

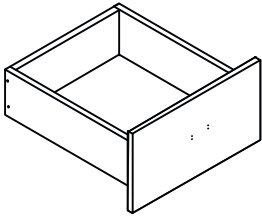


When Fitting Carms
Ensure starting position correct before you insert connecting bolt turn clockwise until secure.

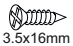




STEP 21

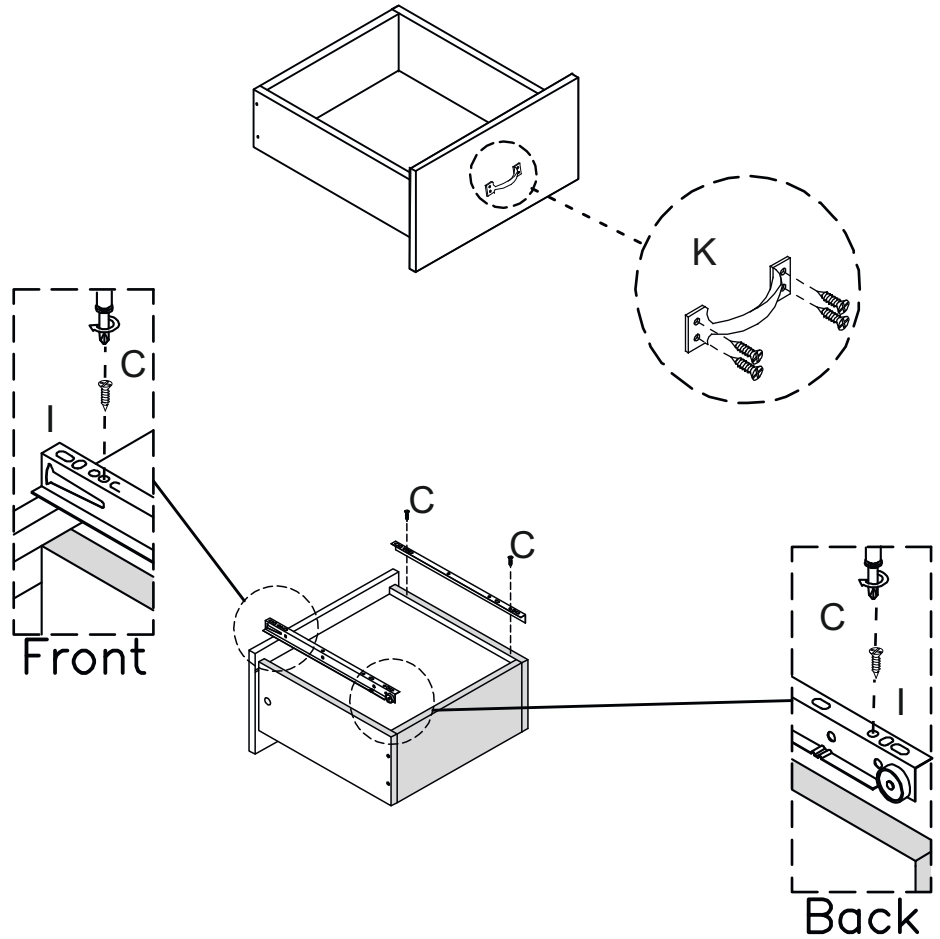
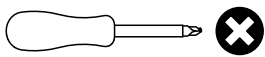
PARTS REQUIRED



HARDWARE REQUIRED

- | | | |
|---|--|----|
| C |  3.5x16mm | 04 |
| I |  | 01 |
| K |  | 01 |

TOOLS REQUIRED

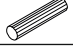
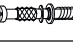



STEP 22

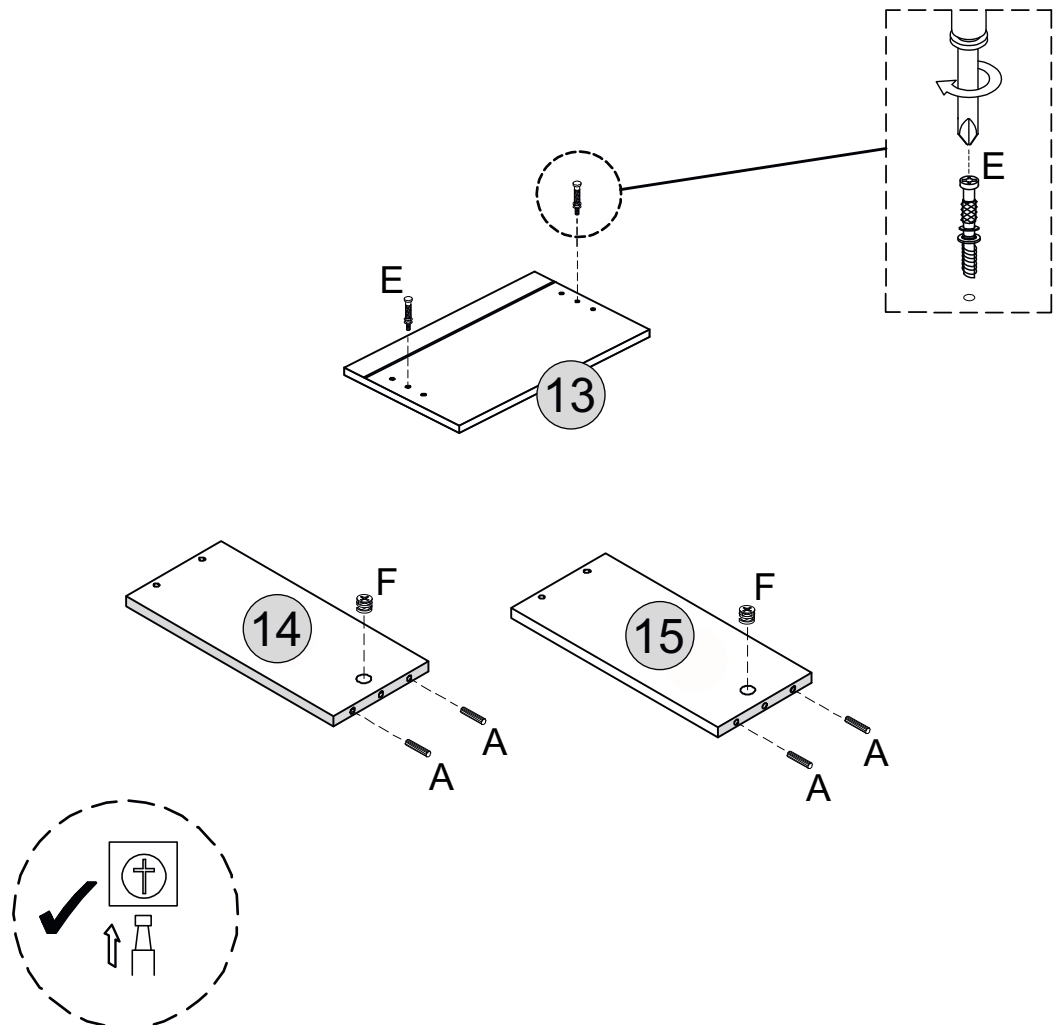
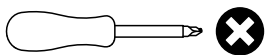
PARTS REQUIRED

- | | |
|------------------------------|----|
| 13 - LEFT DRAWER FRONT SMALL | x1 |
| 14 - LEFT DRAWER SIDE | x1 |
| 15 - RIGHT DRAWER SIDE | x1 |

HARDWARE REQUIRED

- | | | |
|---|---|----|
| A |  | 04 |
| E |  | 02 |
| F |  | 02 |

TOOLS REQUIRED

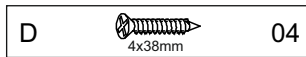


STEP 23

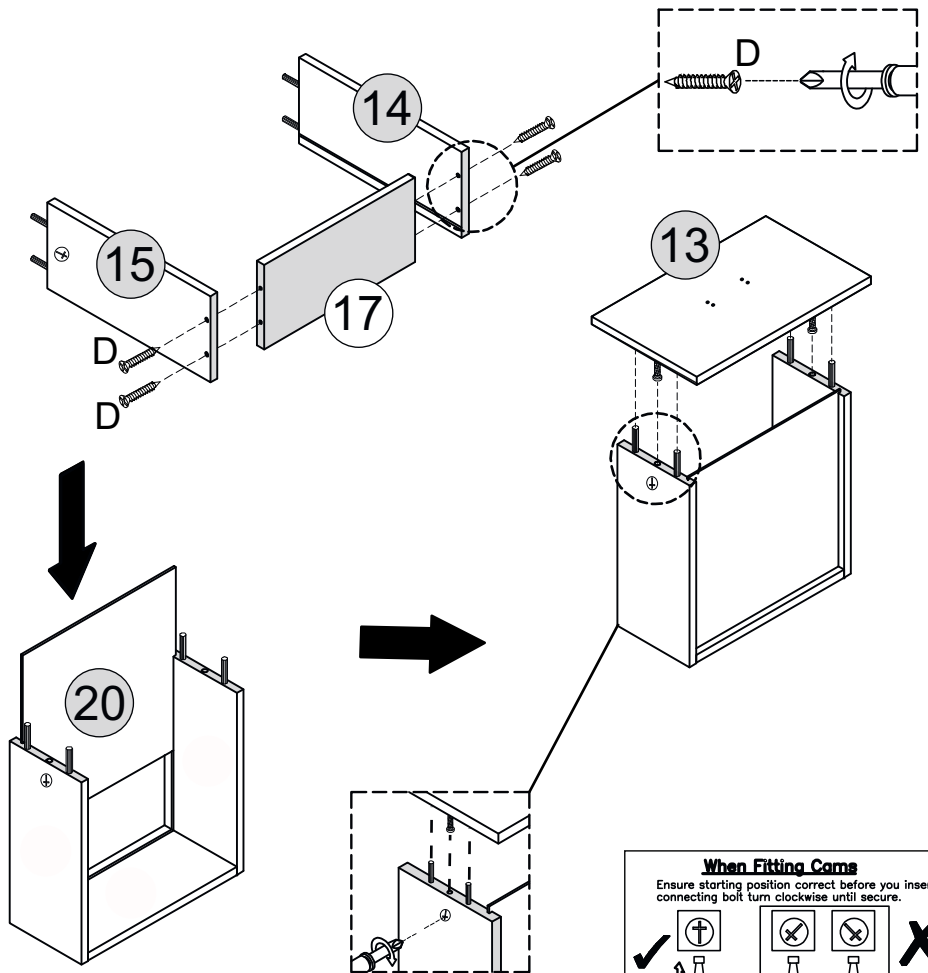
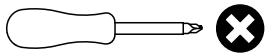
PARTS REQUIRED

- 13 - LEFT DRAWER FRONT SMALL x1
- 14 - LEFT DRAWER SIDE x1
- 15 - RIGHT DRAWER SIDE x1
- 17 - DRAWER BACK SMALL x1
- 20 - DRAWER BASE SMALL x1

HARDWARE REQUIRED

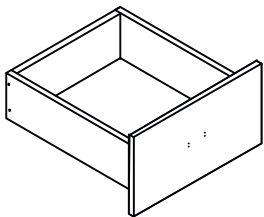


TOOLS REQUIRED

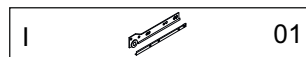
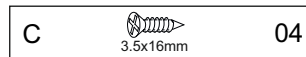


STEP 24

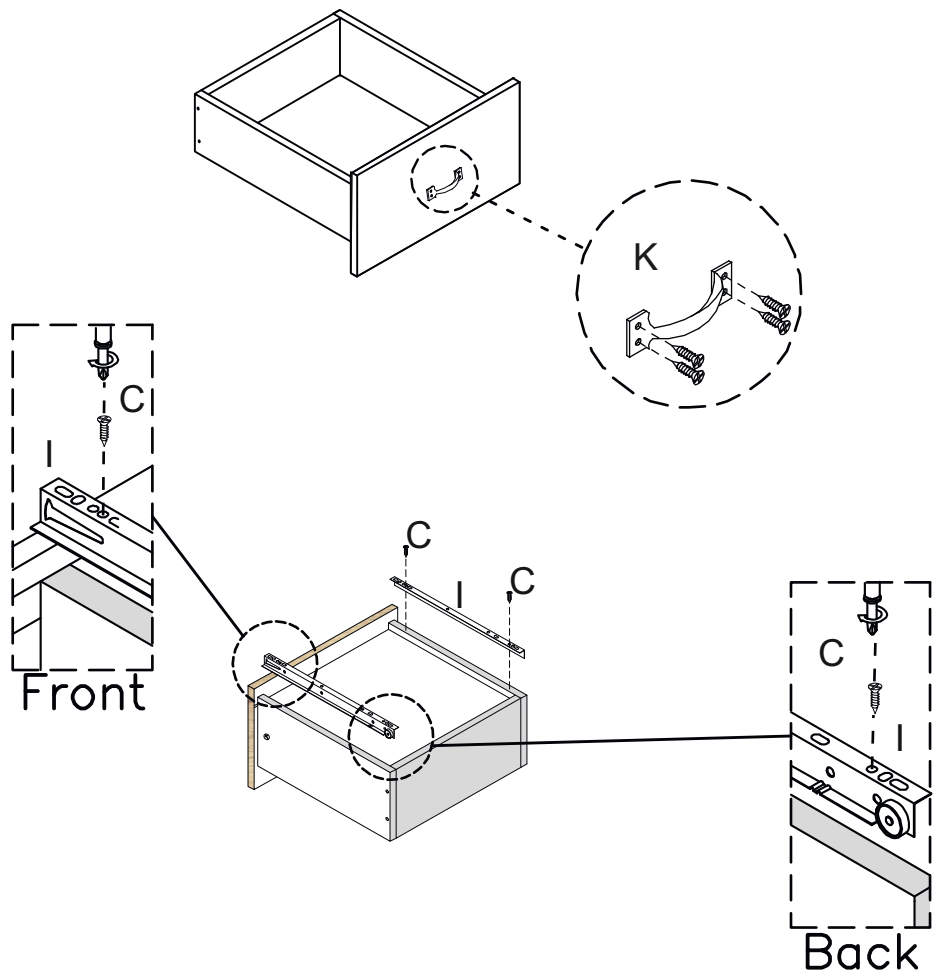
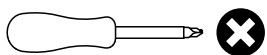
PARTS REQUIRED



HARDWARE REQUIRED

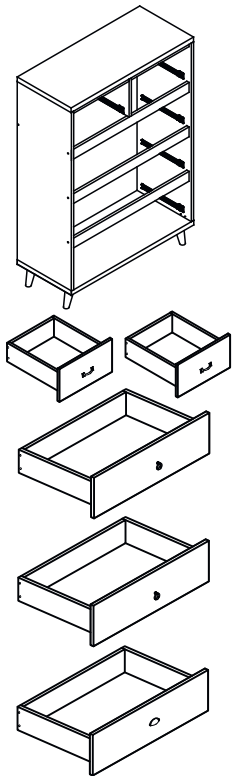


TOOLS REQUIRED

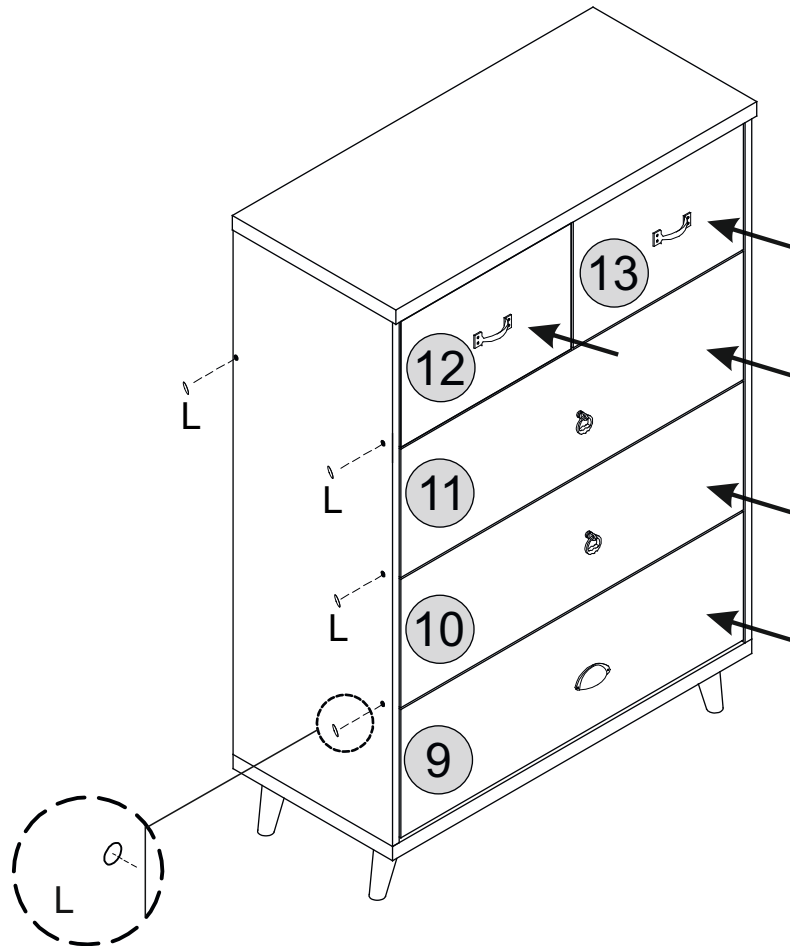


STEP 25

PARTS REQUIRED

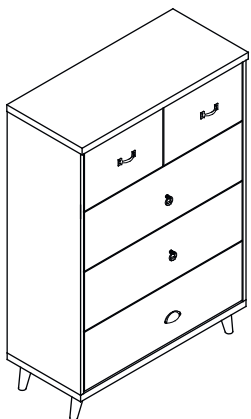


HARDWARE REQUIRED



STEP 26

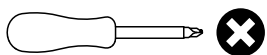
PARTS REQUIRED



HARDWARE REQUIRED



TOOLS REQUIRED



WARNING

Serious or fatal injuries can occur from furniture tipping over. To prevent the furniture from tipping over we recommend that it is permanently fixed to the wall.

Wall fixings are not supplied with this product as different wall materials require different types of fixing devices. Please make sure you use fixings suitable for the walls in your home.

