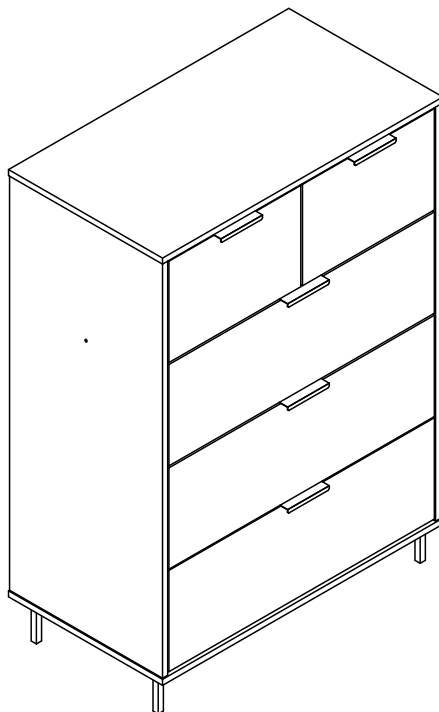


MADRID 3+2 DRAWER CHEST ASSEMBLY INSTRUCTIONS

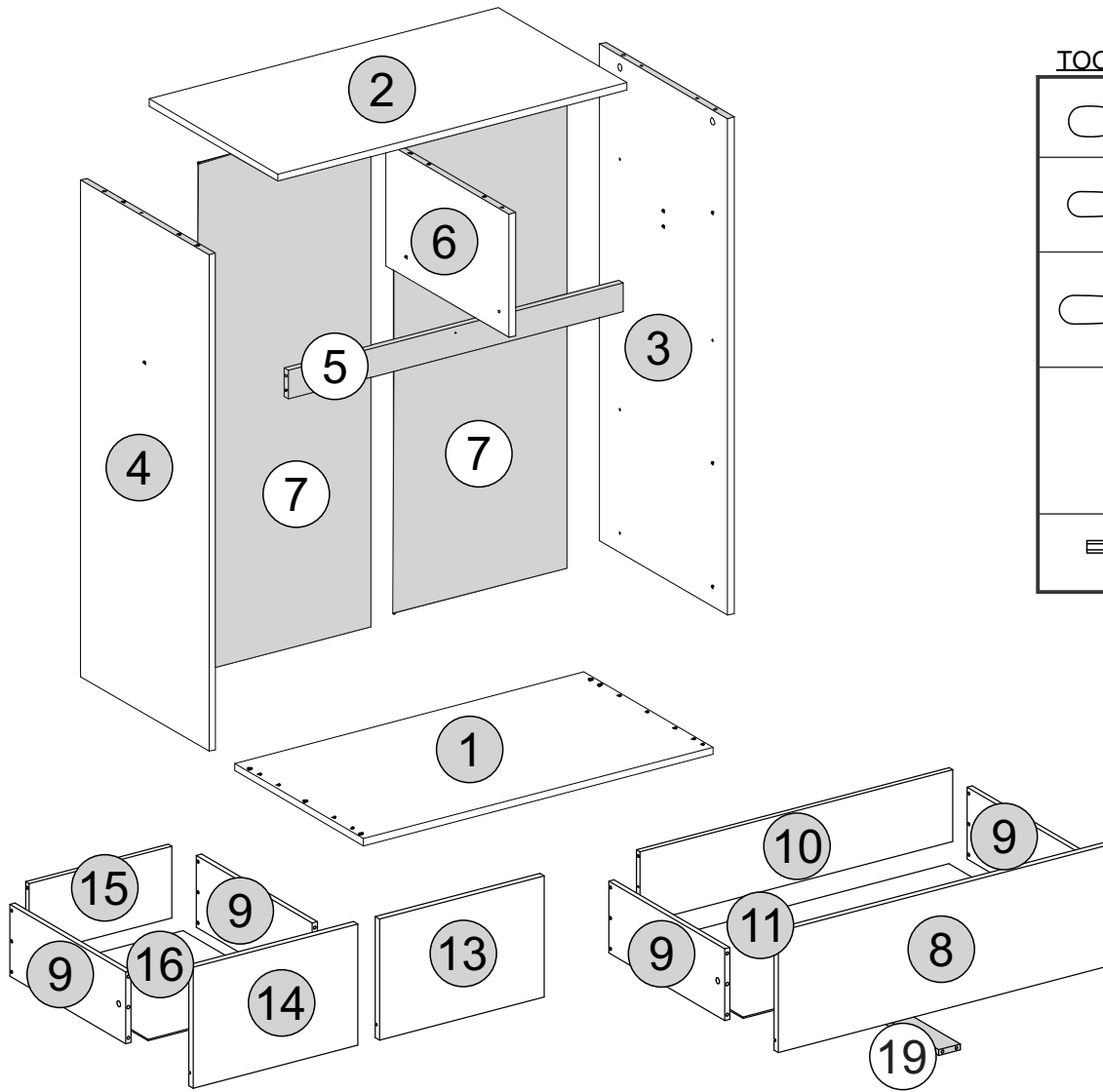


IMPORTANT
FOR DOMESTIC USE ONLY
PLEASE READ BEFORE YOU CONTINUE FURTHER

CARE AND MAINTENANCE

After unpacking this product please keep the original packaging in case it needs to be returned for any reason.

- Please ensure all fittings and parts are present before commencing with assembly.
- Never drag or push products as this could cause damage to the joints making it inferior.
- We strongly recommend that you keep children away from your work area.
- We recommend that you lay a blanket or sheet on the floor to avoid damage to both your floor and the product.
- Assemble this product as close to its final position as possible.
- Do not place this product next to a radiator or in direct sunlight.
- Do not drag or push items across your high gloss furniture as this may cause the surface to scratch
- Wood is a natural product and may expand if subjected to damp and may shrink or crack if subjected to heat. Therefore it is recommended that room temperature is maintained, with no sudden temperature fluctuations.
- Make sure any spillage is wiped off immediately.
- Do not place hot or chilled items directly on to the surface, use a place mat or marking will occur.
- For general cleaning use a soft cotton or micro fibre cloth, and do not use detergents of any kind.
- From time to time it may be necessary to tighten fittings, regular inspections should be carried out.
- Do not place on a wet or damp floor as staining may occur to your floor.

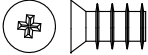
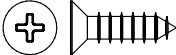
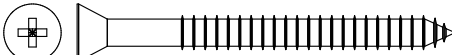



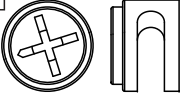
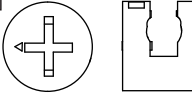


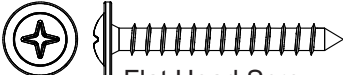
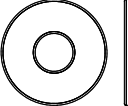
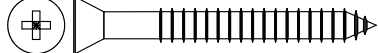

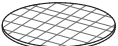

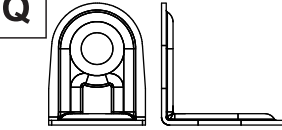
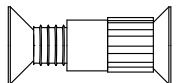
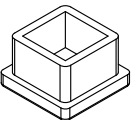
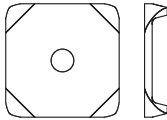
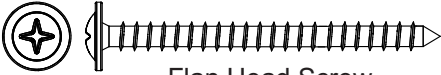
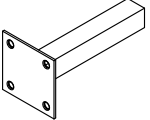
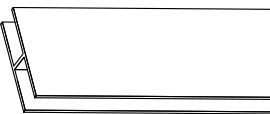
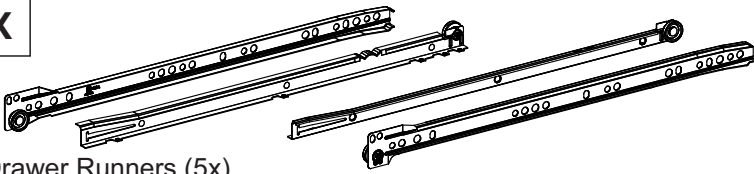


PARTS LIST

Please Note:
The below parts have all been stamped with the part number to help identify them during assembly.

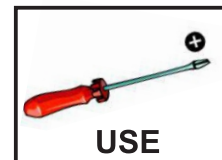
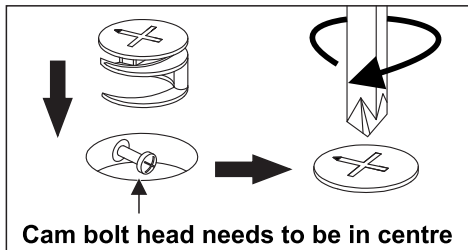
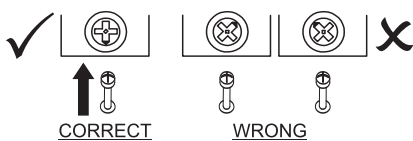
Part Number	Part Code	Part Description	Quantity	Carton
01	S100-102-163-CA1-01	Base Panel	1	2/2
02	S100-102-163-CA1-02	Top Panel	1	2/2
03	S100-102-163-CA1-03	Right Side Panel	1	1/2
04	S100-102-163-CA1-04	Left Side Panel	1	1/2
05	S100-102-163-CA1-05	Crossbar	1	2/2
06	S100-102-163-CA1-06	Drawer Division Panel	1	2/2
07	S100-102-163-CA1-07	Back Panel	2	1/2
08	S100-102-163-CA1-08	Large Drawer Front	3	2/2
09	S100-102-163-CA1-09	Drawer Side	10	1/2
10	S100-102-163-CA1-10	Drawer Back Panel	3	1/2
11	S100-102-163-CA1-11	Drawer Bottom	3	1/2
13	S100-102-163-CA1-13	Small Right Drawer Front	1	2/2
14	S100-102-163-CA1-14	Small Left Drawer Front	1	2/2
15	S100-102-163-CA1-15	Small Drawer Back Panel	2	1/2
16	S100-102-163-CA1-16	Small Drawer Bottom	2	1/2
19	S100-102-163-CA1-19	Drawer Reinforcement	3	1/2

FITTINGS LIST

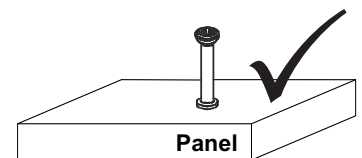
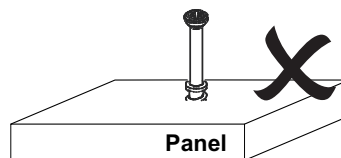
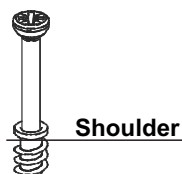
<p>A</p>  <p>Flat Head Screw Ø6,0 x 10mm (16x) +2</p>	<p>B</p>  <p>Flat Head Screw Ø4,0 x 14mm (50x) +2</p>	<p>C</p>  <p>Flat Head Screw Ø4,0 x 50mm (14x) +2</p>	<p>D</p>  <p>+2 Dowel Ø6,0 x 30mm (58x)</p>	
<p>E</p>  <p>+4 Nail 10 x 10 (84x)</p>	<p>F</p>  <p>+2 Cam Bolt (16x)</p>	<p>G</p>  <p>+2 Cam Nut (10x)</p>	<p>H</p>  <p>+1 Cam Nut (6x)</p>	<p>I</p>  <p>Glue (1x)</p>
<p>J</p>  <p>Strap (2x)</p>	<p>K</p>  <p>+1 Flat Head Screw Ø3,5 x 30mm (2x)</p>	<p>L</p>  <p>+1 Washer (4x)</p>	<p>M</p>  <p>+1 Flat Head Screw Ø3,5 x 40mm (6x)</p>	
<p>N</p>  <p>+2 Hole Plugs (2x)</p>	<p>O</p>  <p>+2 Hole Plugs (16x)</p>	<p>P</p>  <p>Handle (5x)</p>	<p>Q</p>  <p>'L' Metallic Support (1x)</p>	<p>R</p>  <p>+1 Double Flat Head Screw Ø4,0 x 12mm (2x)</p>
<p>S</p>  <p>+1 Internal Tip (4x)</p>	<p>T</p>  <p>+1 Back Panel Bracket (2x)</p>	<p>U</p>  <p>+1 Flan Head Screw Ø4 x 50mm (8x)</p>	<p>V</p>  <p>Tubular Foot (4x)</p>	
<p>W</p>  <p>Back Panel Strip (1x)</p>	<p>X</p>  <p>Drawer Runners (5x)</p>			

TIPS FOR FITTINGS CAM-LOCKS

WHEN FITTING CAM NUT, ENSURE STARTING POSITION IS CORRECT BEFORE YOU INSERT CONNECTING CAM BOLT TURN CLOCKWISE UNTIL SECURE



CAMBOLT
Tighten until shoulder in flush with panel. Do not overtighten or undertighten (see example beside)





STEP 1

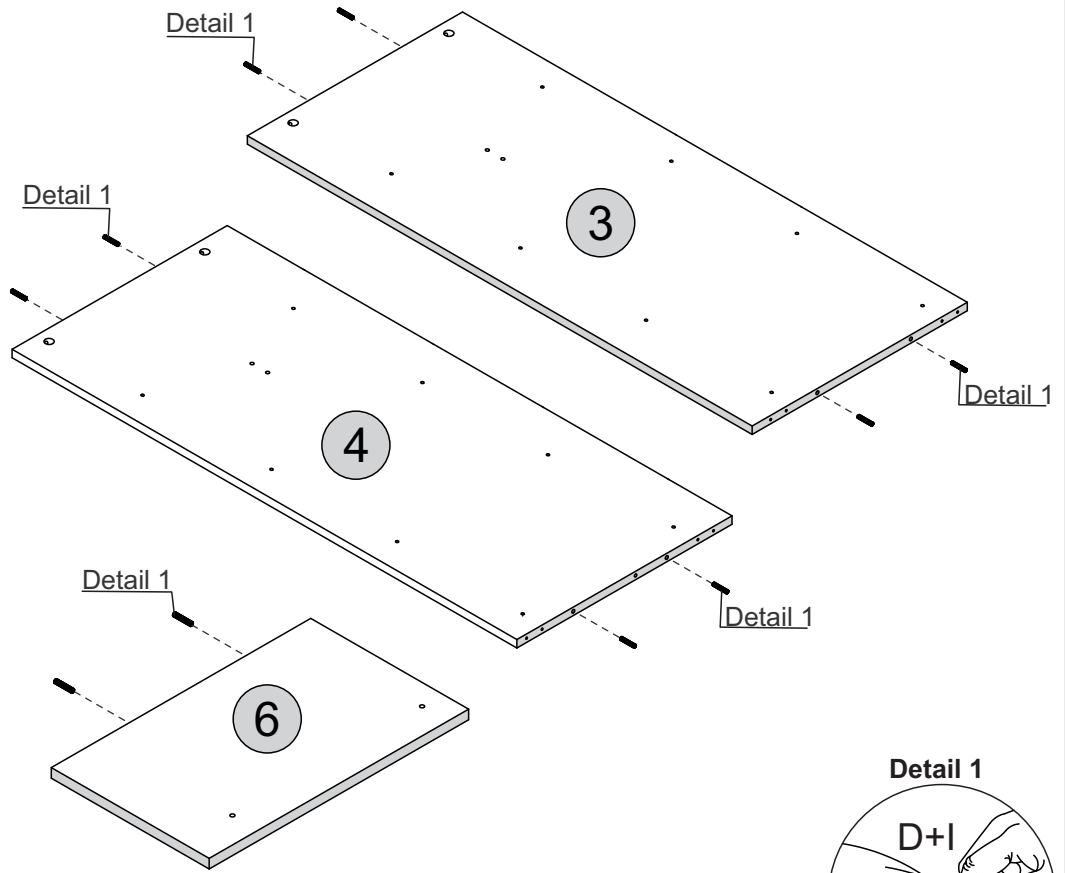
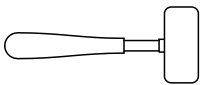
PARTS REQUIRED

3 - RIGHT SIDE PANEL	x1
4 - LEFT SIDE PANEL	x1
6 - DRAWER DIVISION	x1

HARDWARE REQUIRED

D		10
I		01

TOOLS REQUIRED





STEP 2

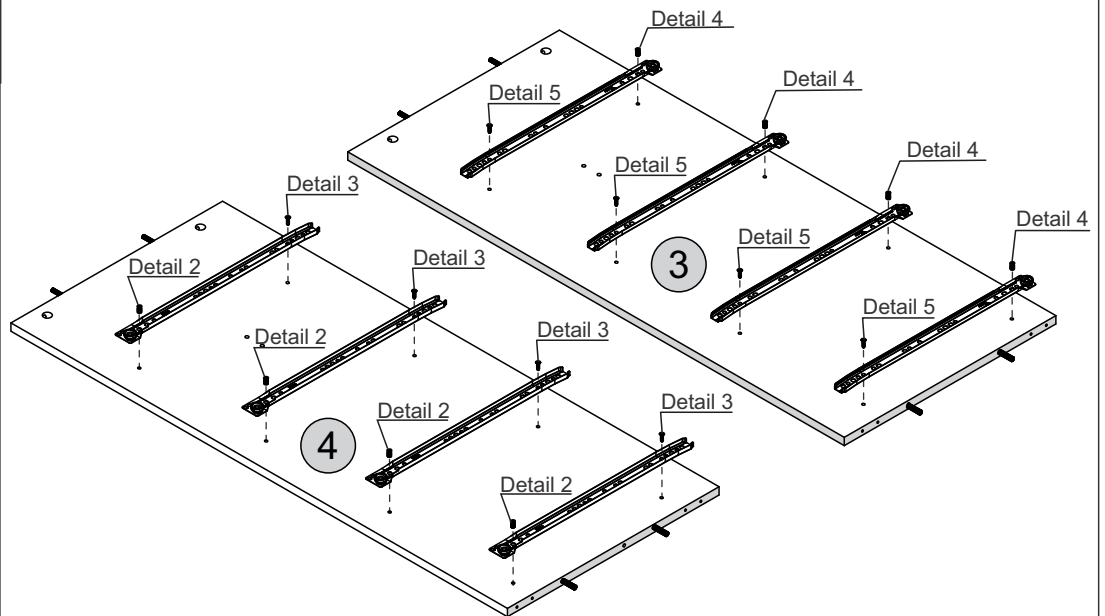
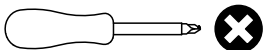
PARTS REQUIRED

3 - RIGHT SIDE PANEL	x1
4 - LEFT SIDE PANEL	x1

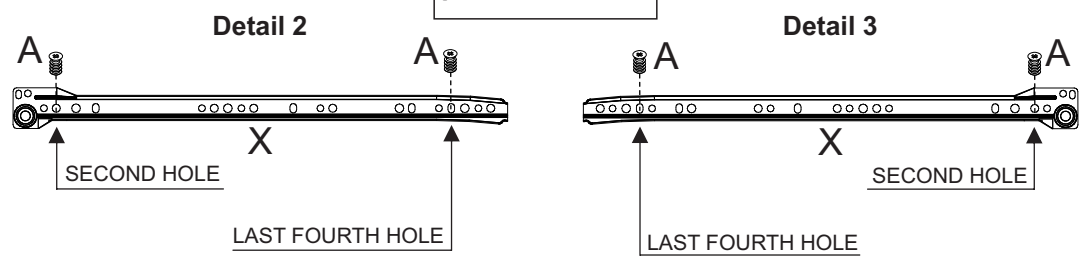
HARDWARE REQUIRED

A		16
X		04

TOOLS REQUIRED



Please note pre-drilled holes

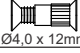






STEP 3

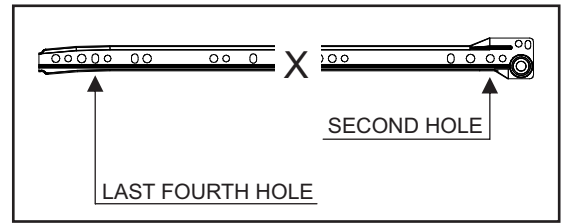
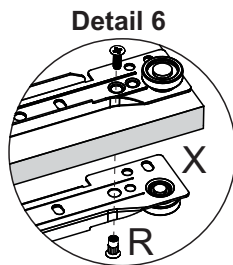
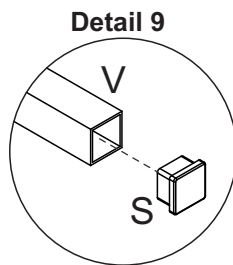
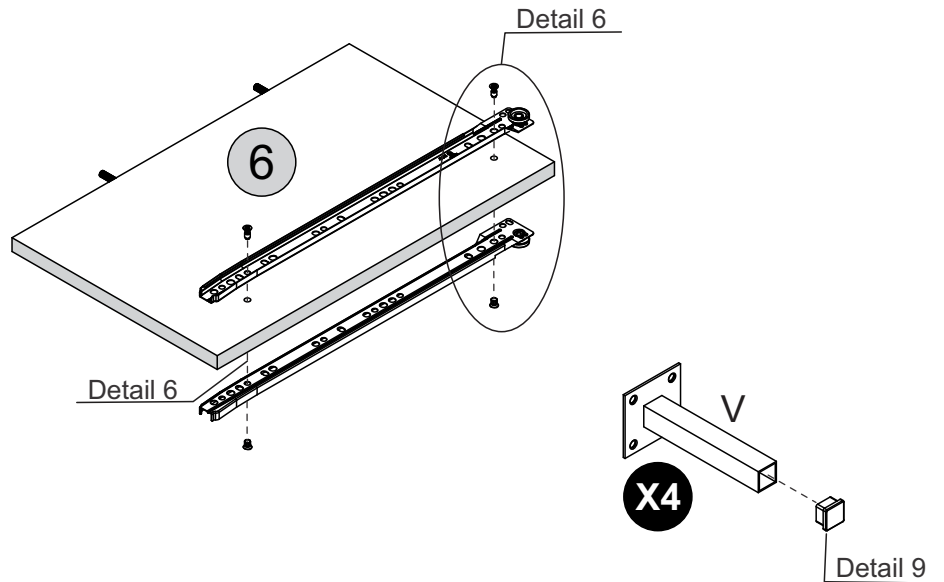
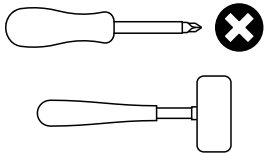
PARTS REQUIRED

6 - DRAWER DIVISION PANEL x1

HARDWARE REQUIRED

- R  02
Ø4,0 x 12mm
- S  04
- V  04
- X  LEFT 01
- X  RIGHT 01

TOOLS REQUIRED



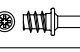




STEP 4

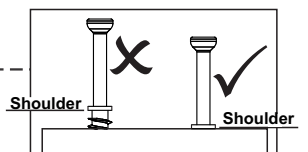
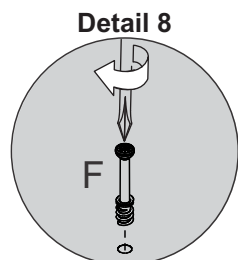
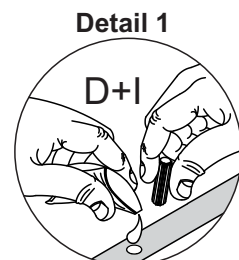
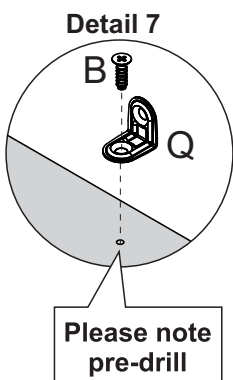
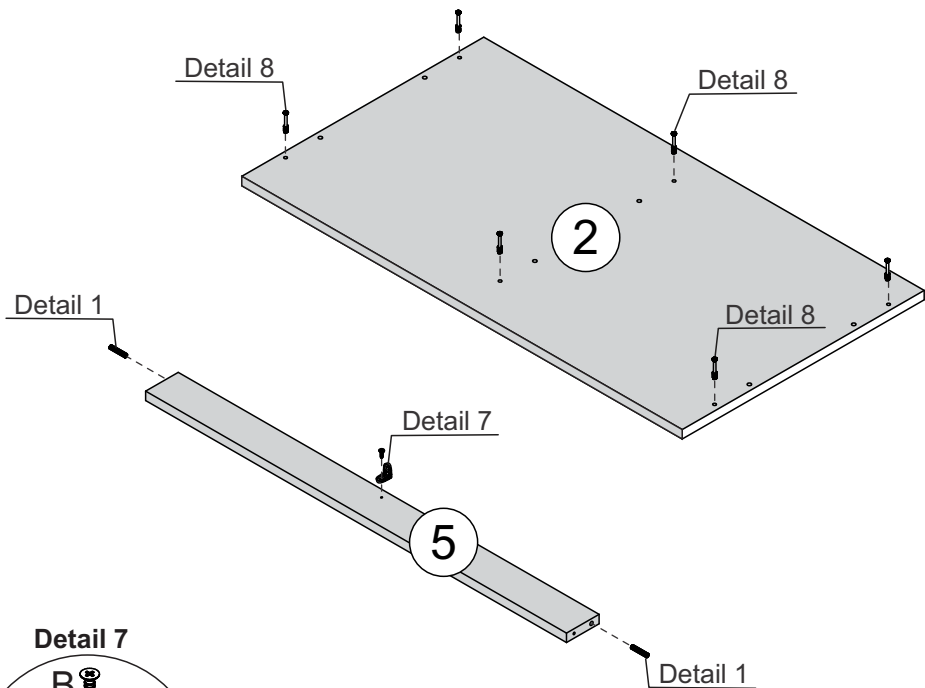
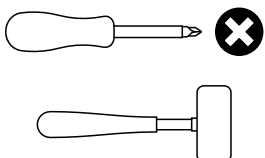
PARTS REQUIRED

2 - TOP PANEL x1
5 - CROSSBAR x1

HARDWARE REQUIRED

- B  01
Ø4,0 x 14mm
- D  02
- F  06
- I  01
- Q  01

TOOLS REQUIRED



STEP 5

PARTS REQUIRED

2 - TOP PANEL x1

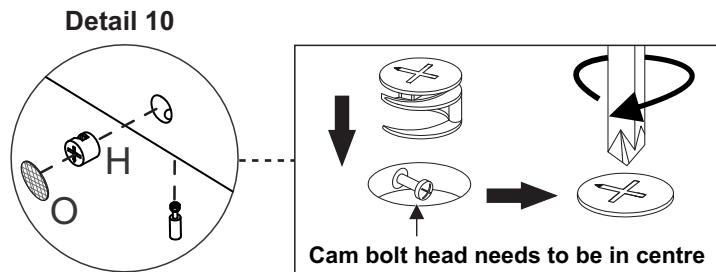
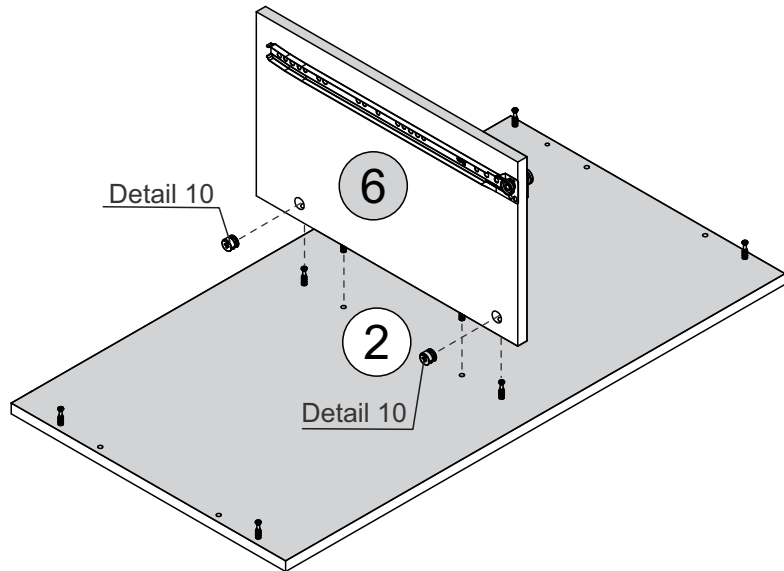
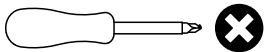
6 - DRAWER DIVISION PANEL x1

HARDWARE REQUIRED

H  02

O  02

TOOLS REQUIRED



STEP 6

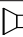
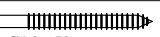
PARTS REQUIRED

3 - RIGHT SIDE PANEL x1

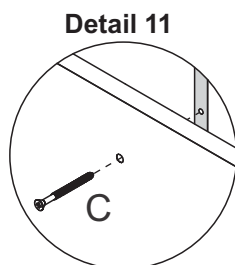
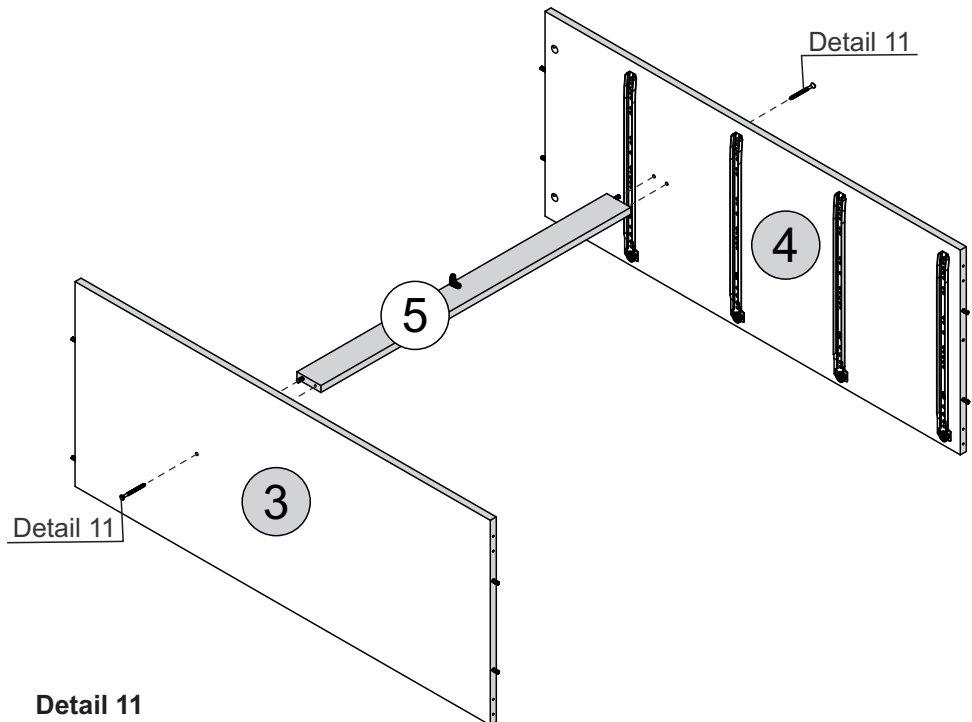
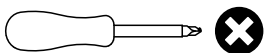
4 - LEFT SIDE PANEL x1

5 - CROSSBAR x1

HARDWARE REQUIRED

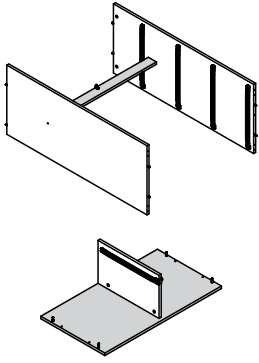
C   02
Ø4,0 x 50mm

TOOLS REQUIRED



STEP 7

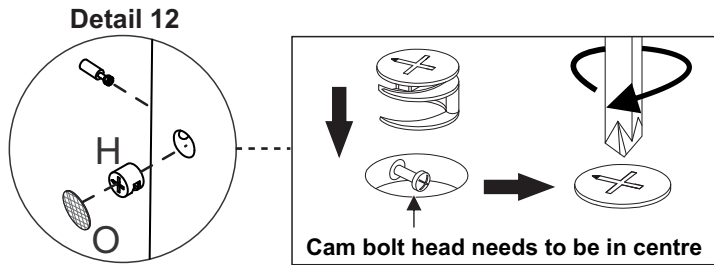
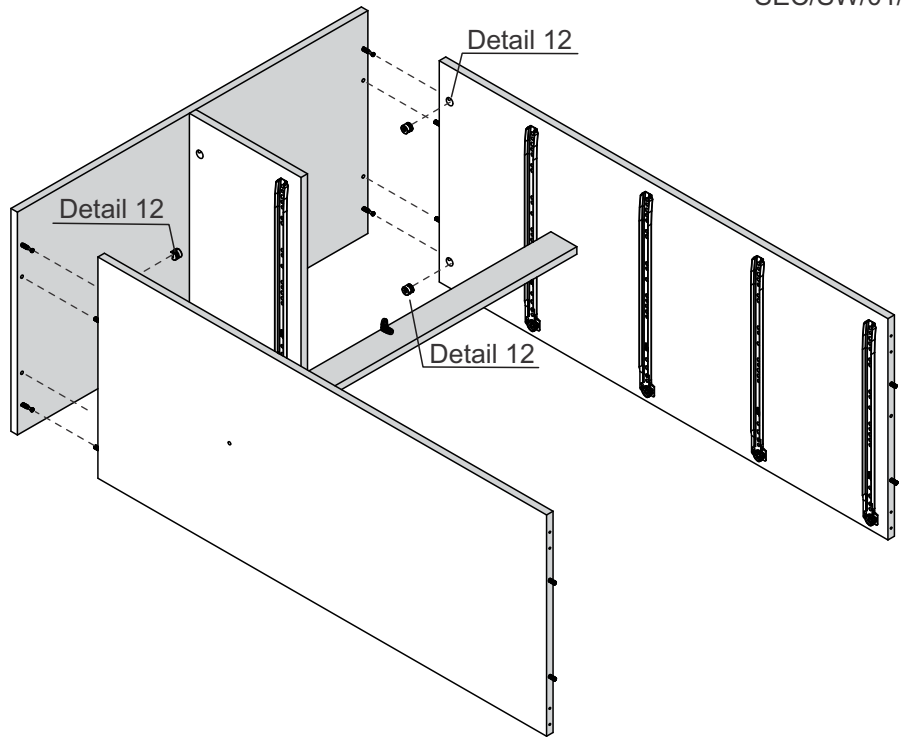
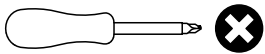
PARTS REQUIRED



HARDWARE REQUIRED

H		04
O		04

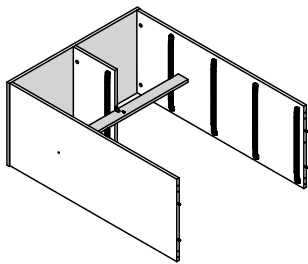
TOOLS REQUIRED



STEP 8

PARTS REQUIRED

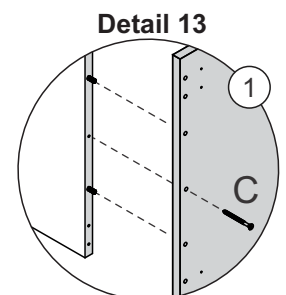
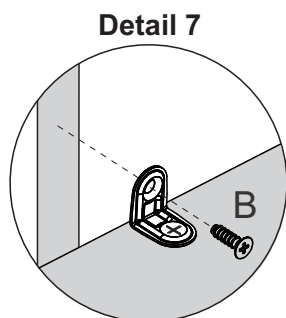
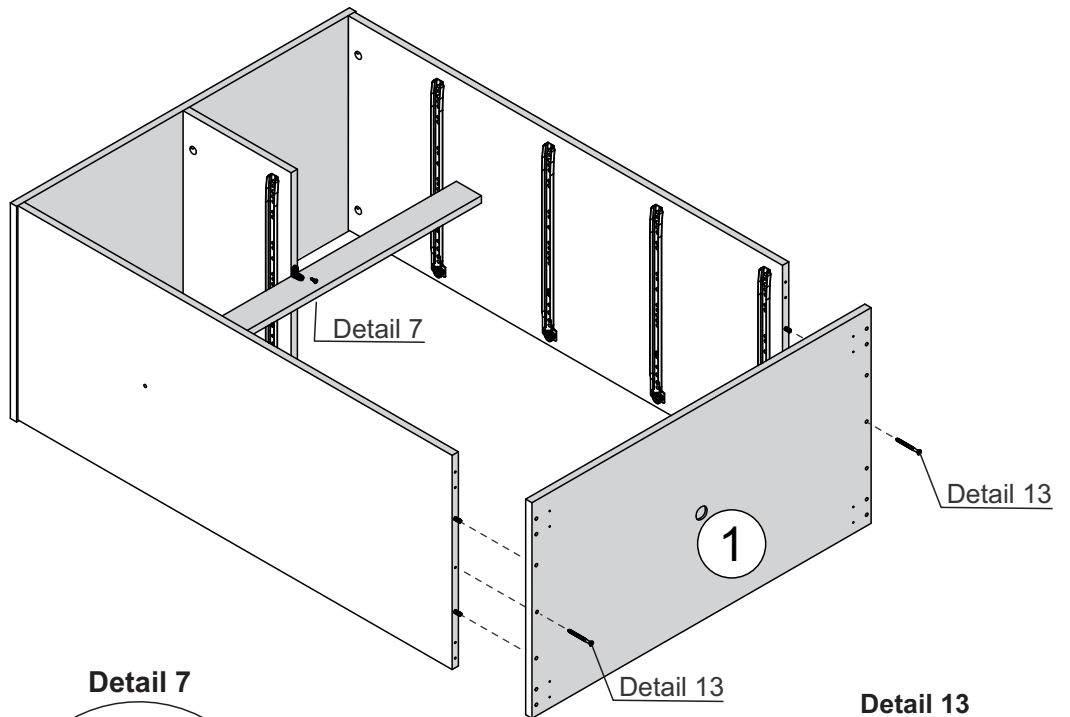
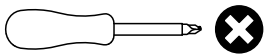
1 - BASE PANEL	x1
----------------	----



HARDWARE REQUIRED

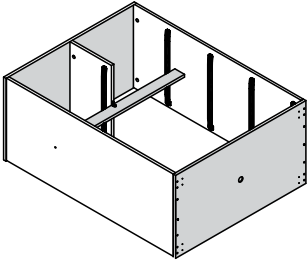
B		01
C		02

TOOLS REQUIRED

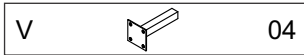


STEP 9

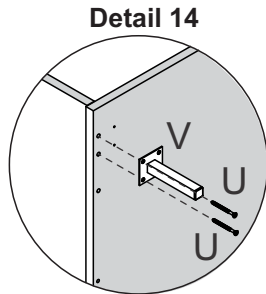
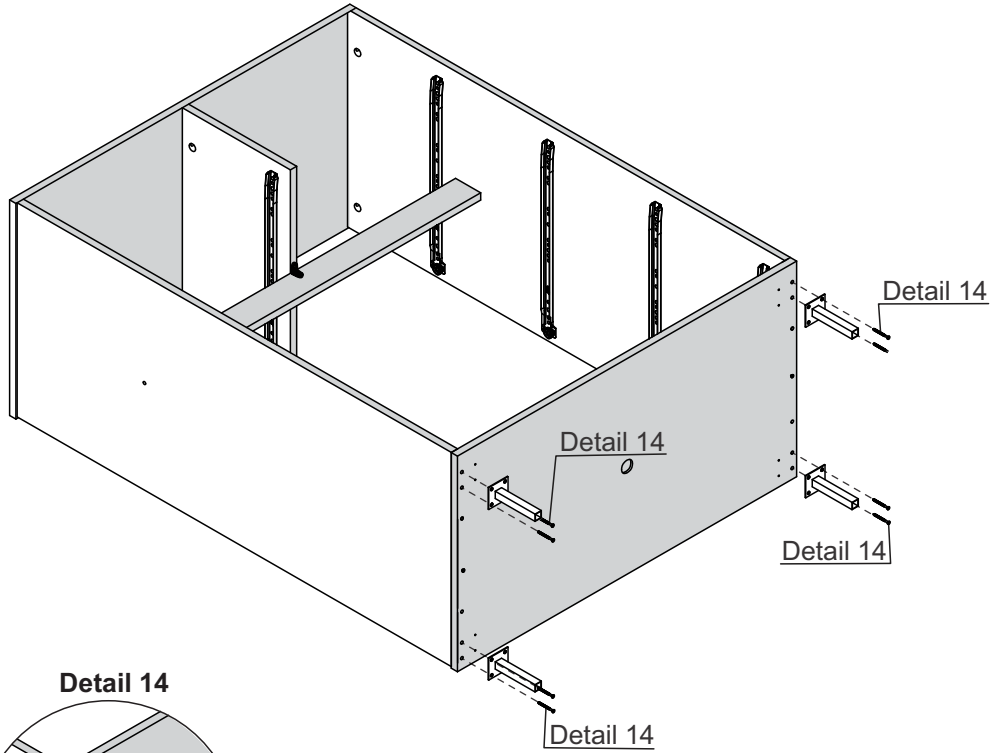
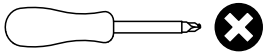
PARTS REQUIRED



HARDWARE REQUIRED

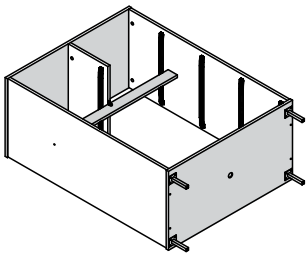


TOOLS REQUIRED

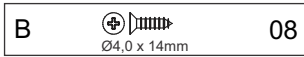


STEP 10

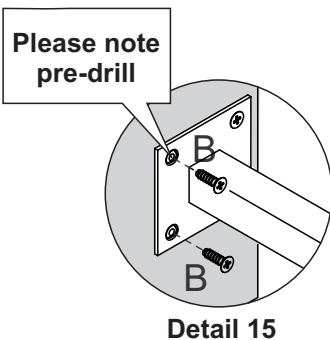
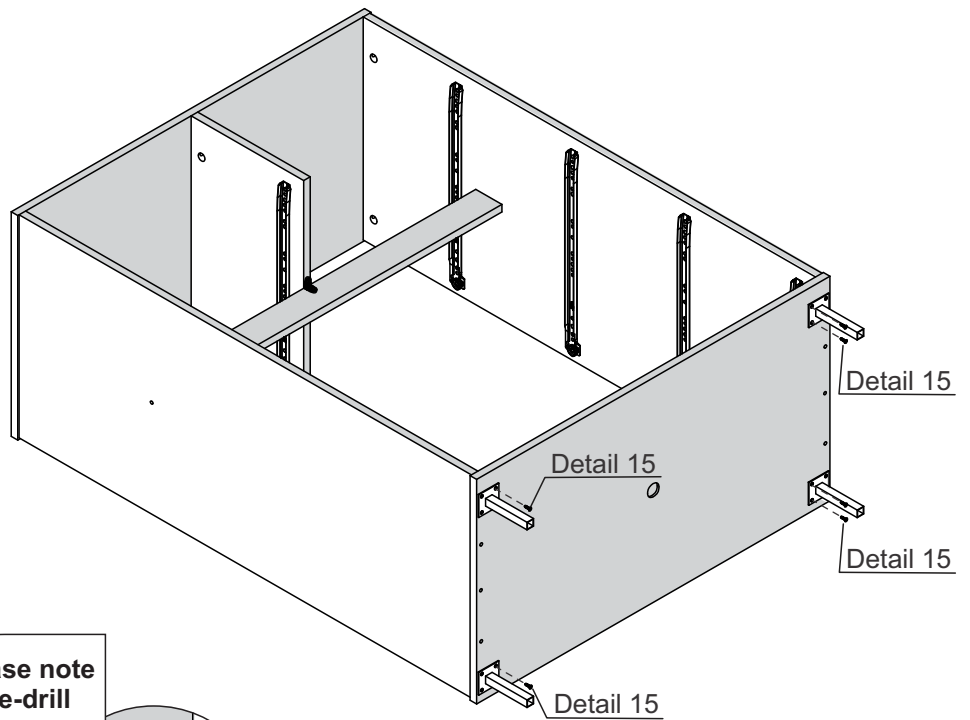
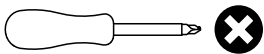
PARTS REQUIRED



HARDWARE REQUIRED



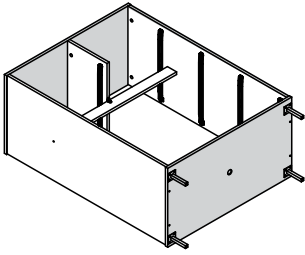
TOOLS REQUIRED



STEP 11

PARTS REQUIRED

7 - BACK PANEL x2



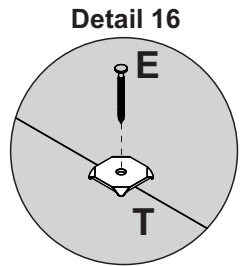
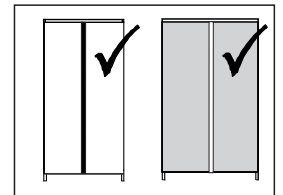
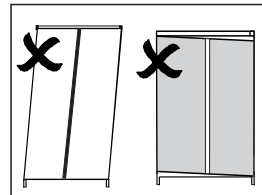
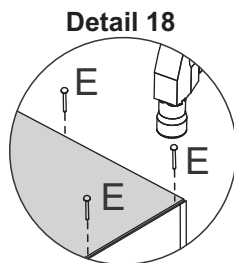
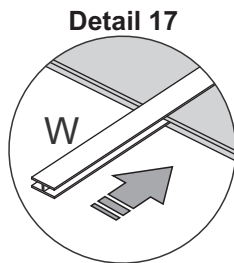
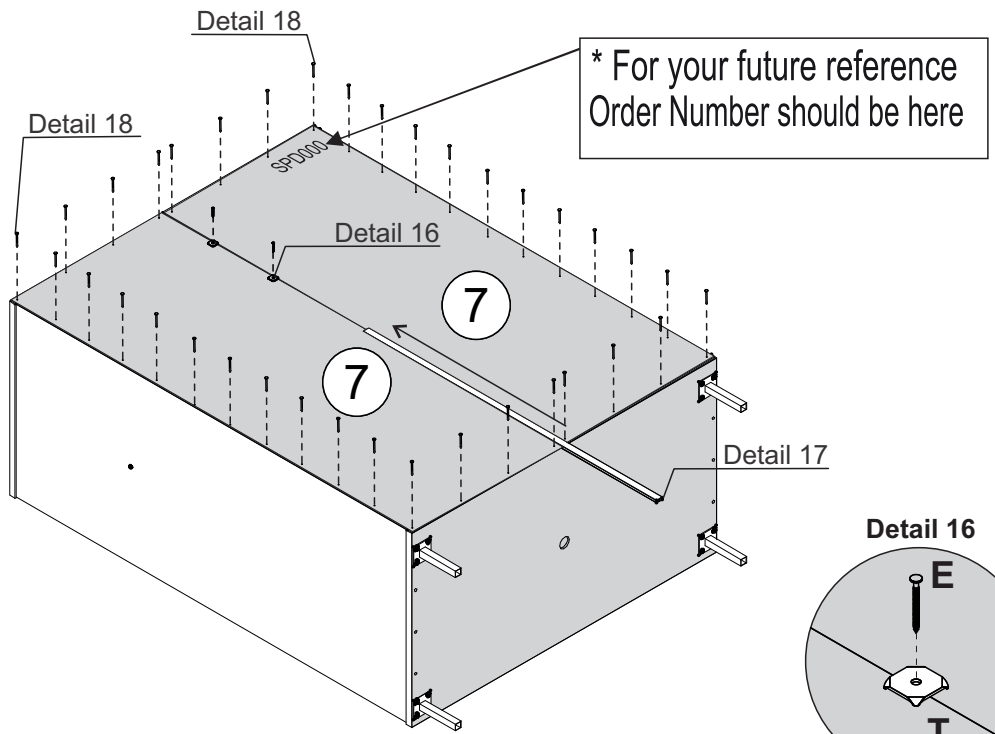
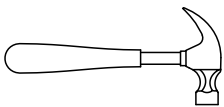
HARDWARE REQUIRED

E  38

T  02

W  01

TOOLS REQUIRED



STEP 12

PARTS REQUIRED

9 - DRAWER SIDE PANEL x10

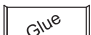
10- DRAWER BACK PANEL x3

15- SMALL DRAWER BACK x2

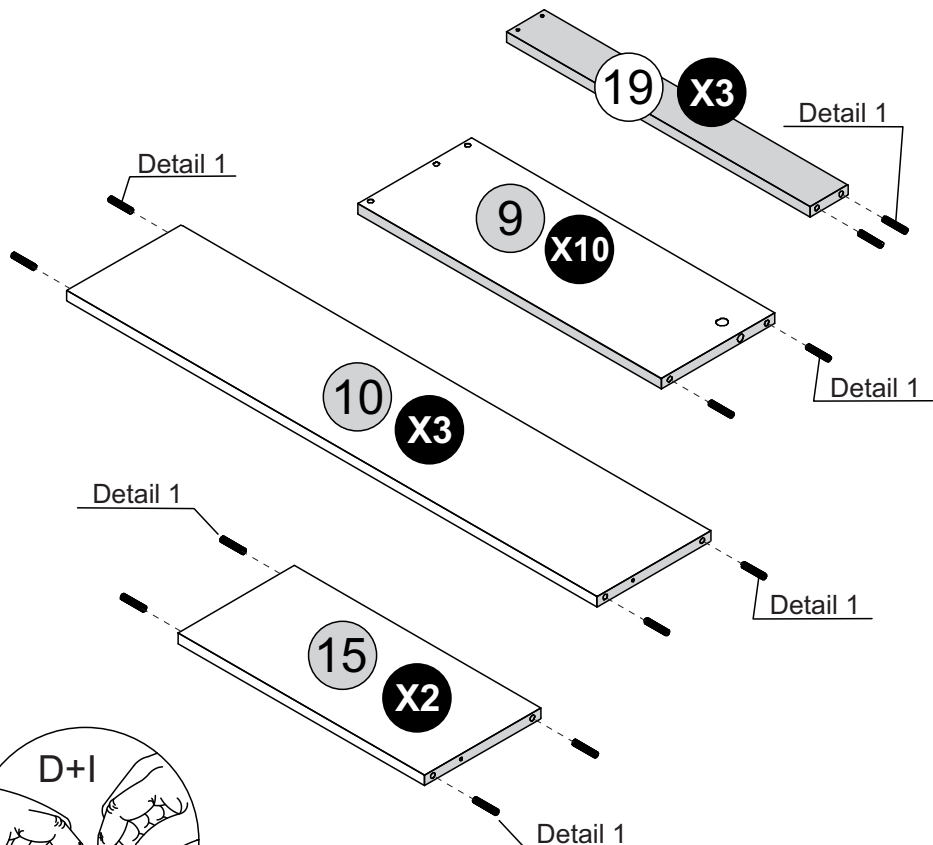
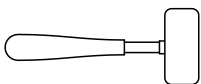
19- DRAWER REINFORCEMENT x3

HARDWARE REQUIRED

D  46

I  01

TOOLS REQUIRED



STEP 13

PARTS REQUIRED

8 - LARGE DRAWER FRONT x3

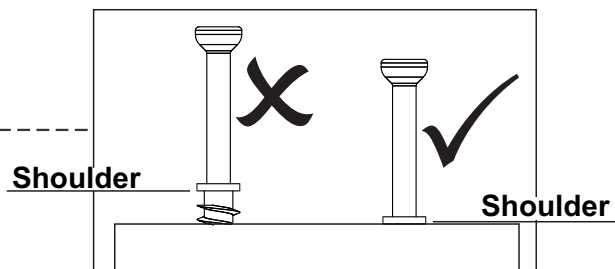
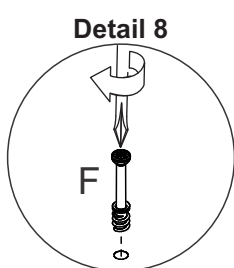
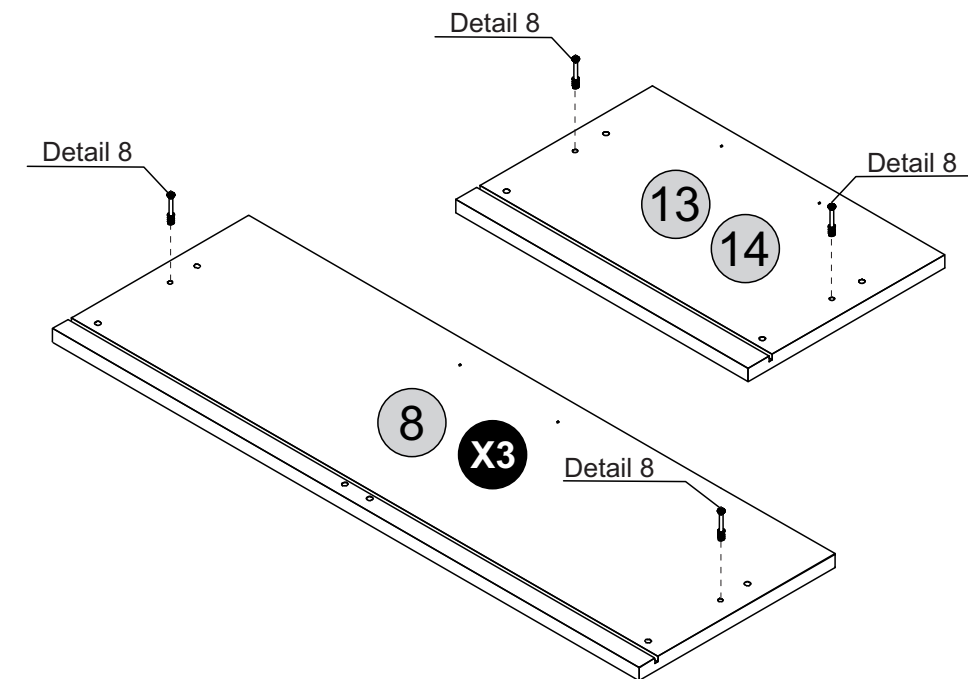
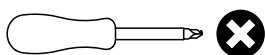
13- SMALL RIGHT DRAWER FRONT x1

14- SMALL LEFT DRAWER FRONT x1

HARDWARE REQUIRED

F  10

TOOLS REQUIRED



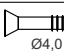
STEP 14

PARTS REQUIRED

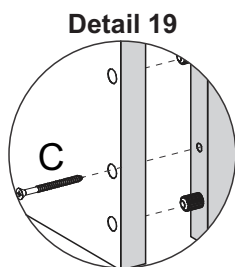
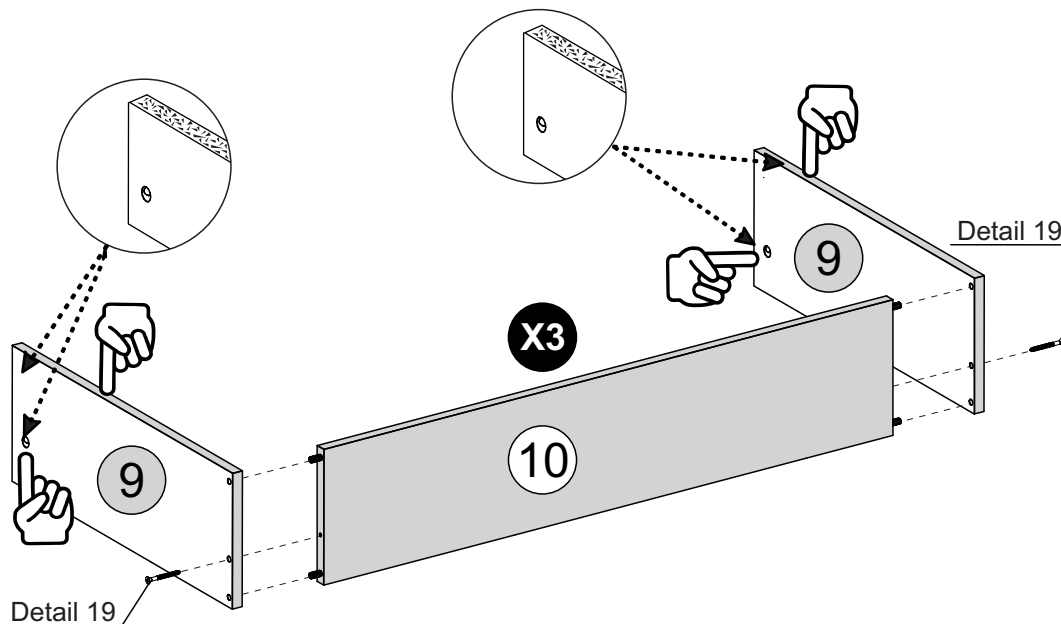
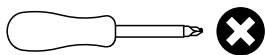
9 - DRAWER SIDE x6

10 - DRAWER BACK x3

HARDWARE REQUIRED

C  06
Ø4,0 x 50mm

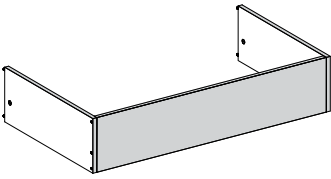
TOOLS REQUIRED



STEP 15

PARTS REQUIRED

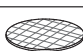
8 - LARGE DRAWER FRONT x3



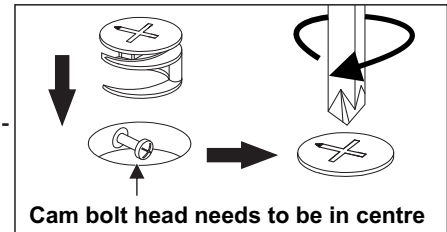
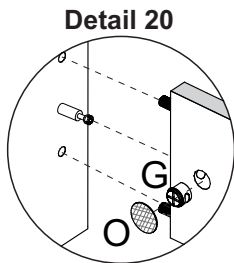
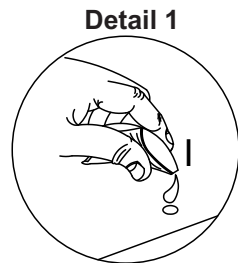
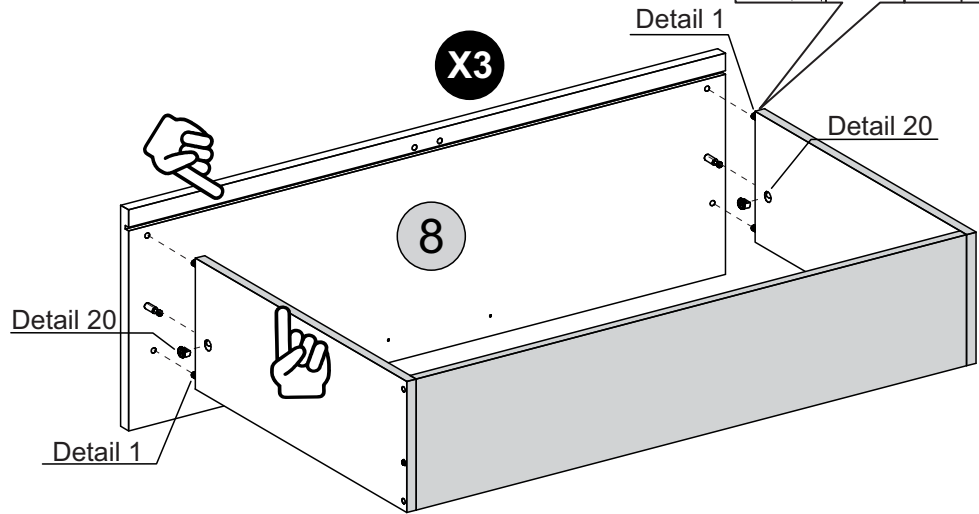
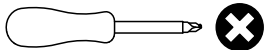
HARDWARE REQUIRED

G  06

I  01

O  06

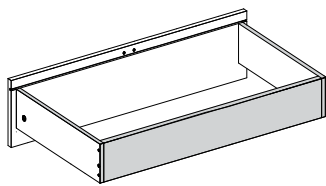
TOOLS REQUIRED



STEP 16

PARTS REQUIRED

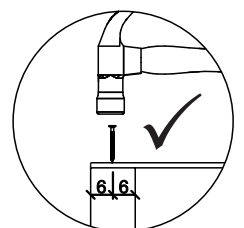
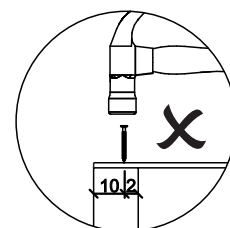
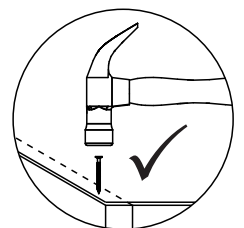
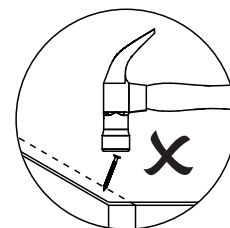
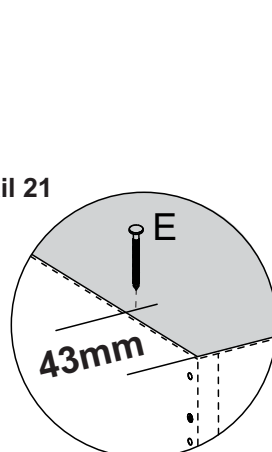
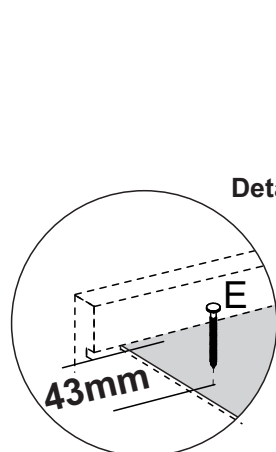
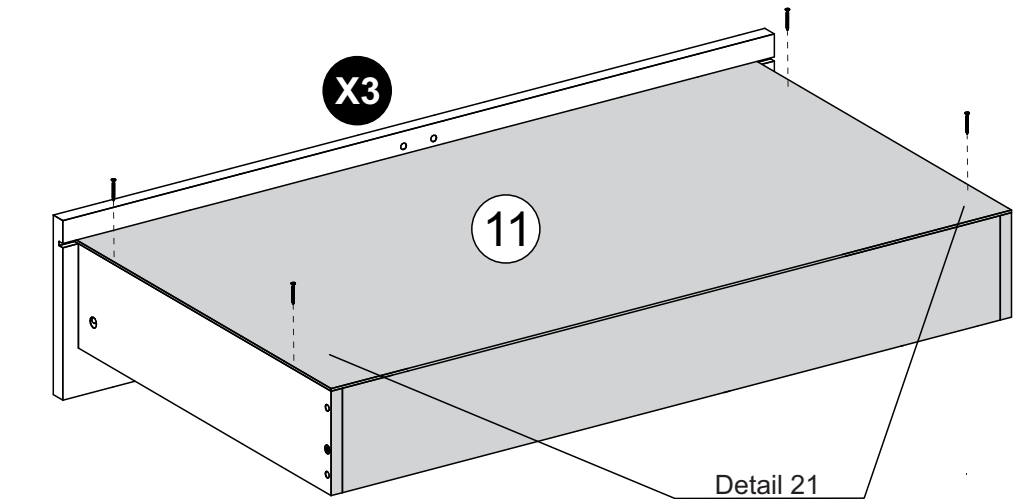
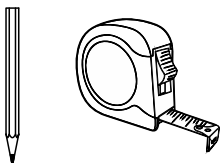
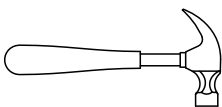
11 - DRAWER BOTTOM x3



HARDWARE REQUIRED

E  12

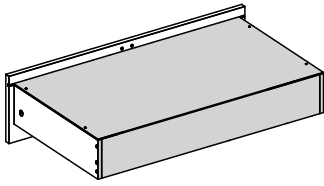
TOOLS REQUIRED



STEP 17

PARTS REQUIRED

19 - DRAWER REINFORCEMENT x3

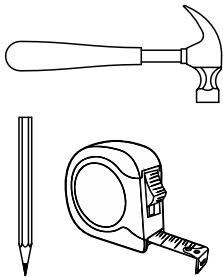


HARDWARE REQUIRED

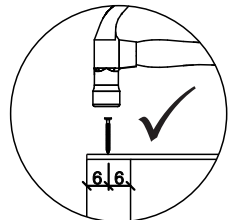
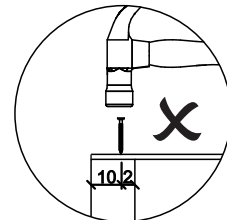
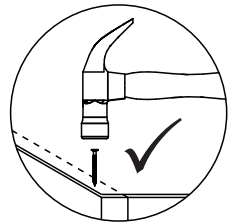
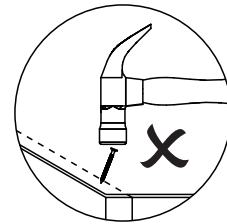
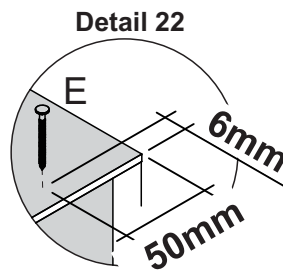
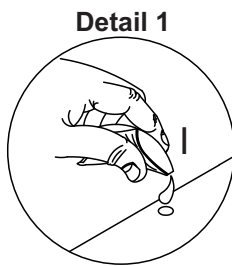
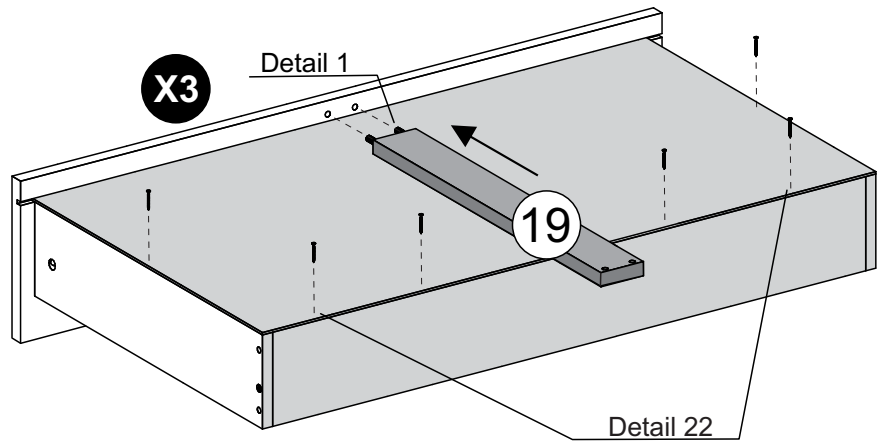
E  18

I  01

TOOLS REQUIRED

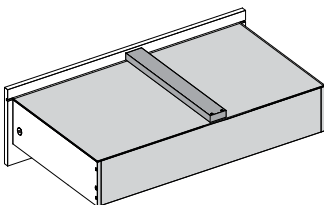


X3

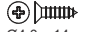


STEP 18

PARTS REQUIRED



HARDWARE REQUIRED

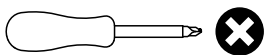
B  12
Ø4,0 x 14mm

M  06
Ø3,5 x 40mm

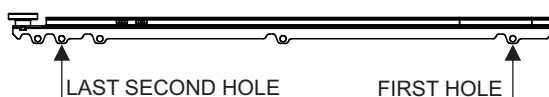
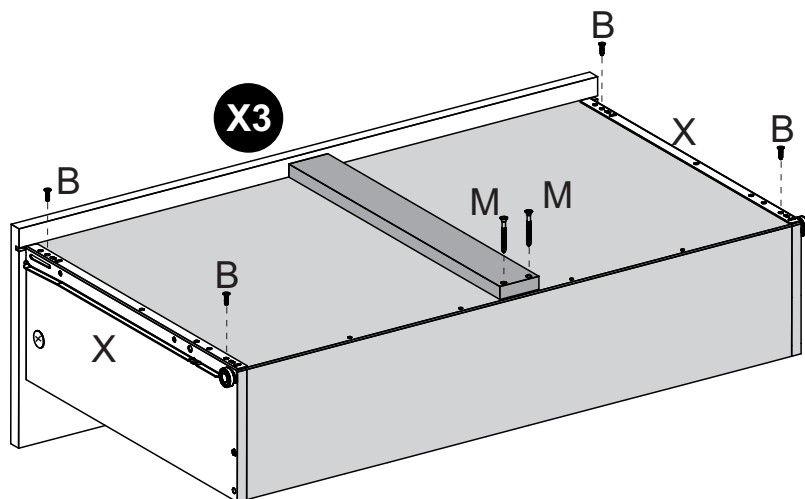
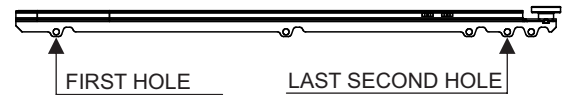
X  03
LEFT

X  03
RIGHT

TOOLS REQUIRED

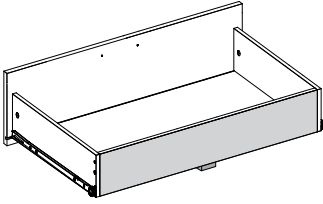


X3

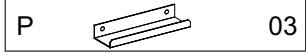
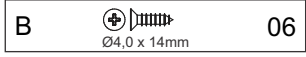


STEP 19

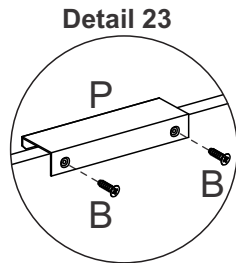
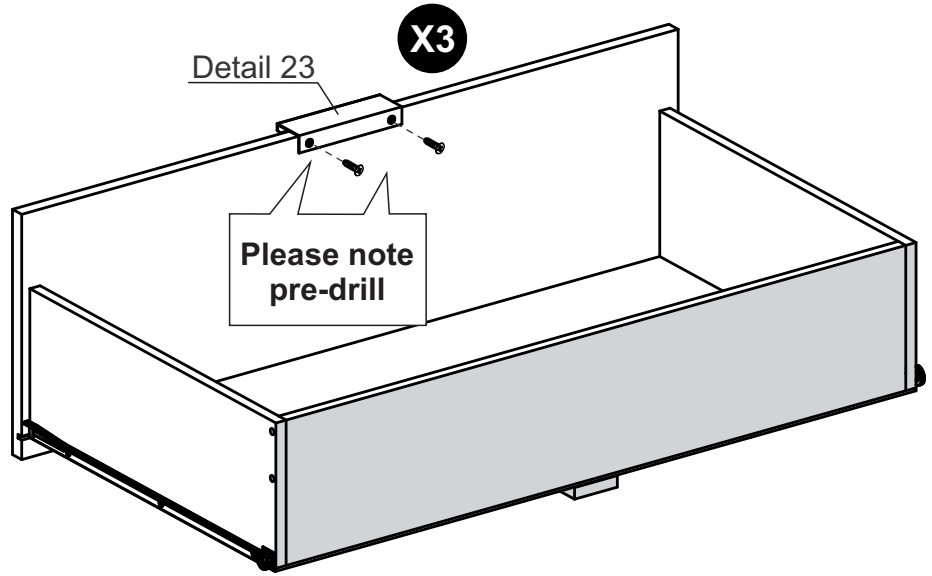
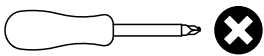
PARTS REQUIRED



HARDWARE REQUIRED



TOOLS REQUIRED

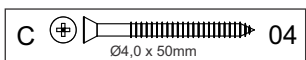


STEP 20

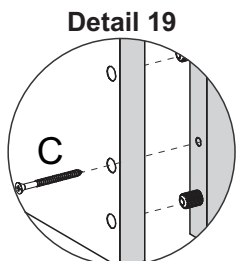
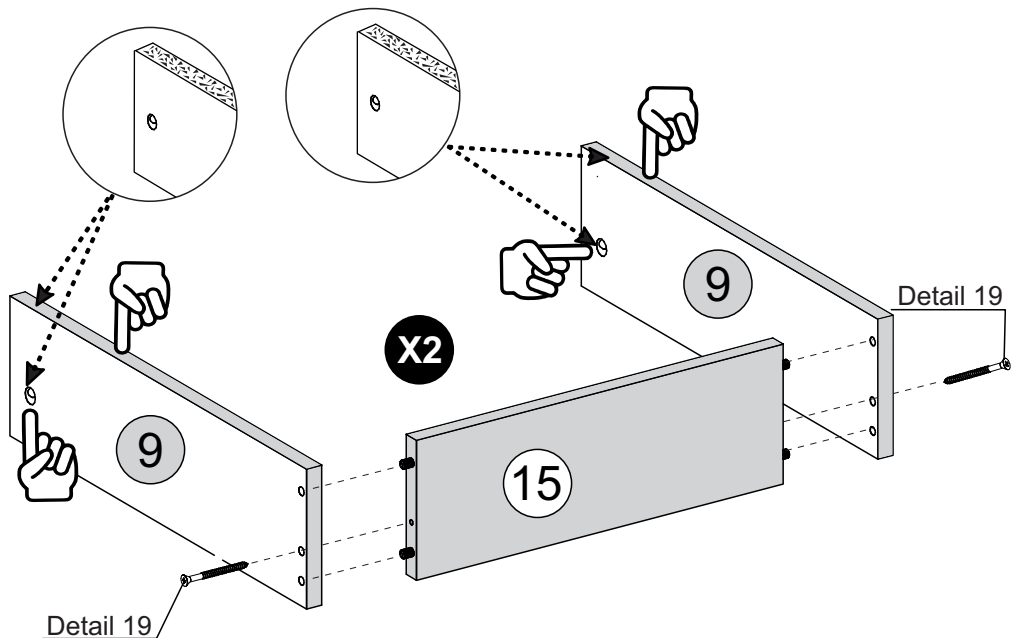
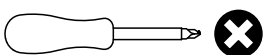
PARTS REQUIRED



HARDWARE REQUIRED



TOOLS REQUIRED

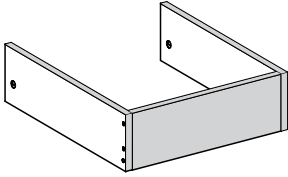


STEP 21



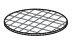
PARTS REQUIRED

13 - SMALL RIGHT DRAWER FRONT x1

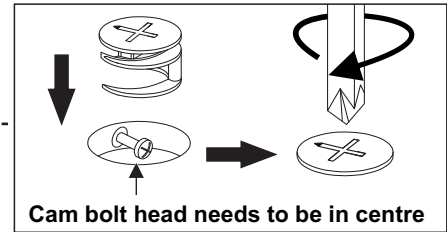
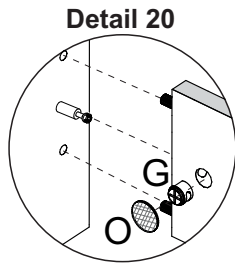
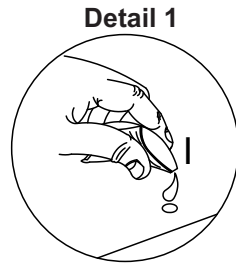
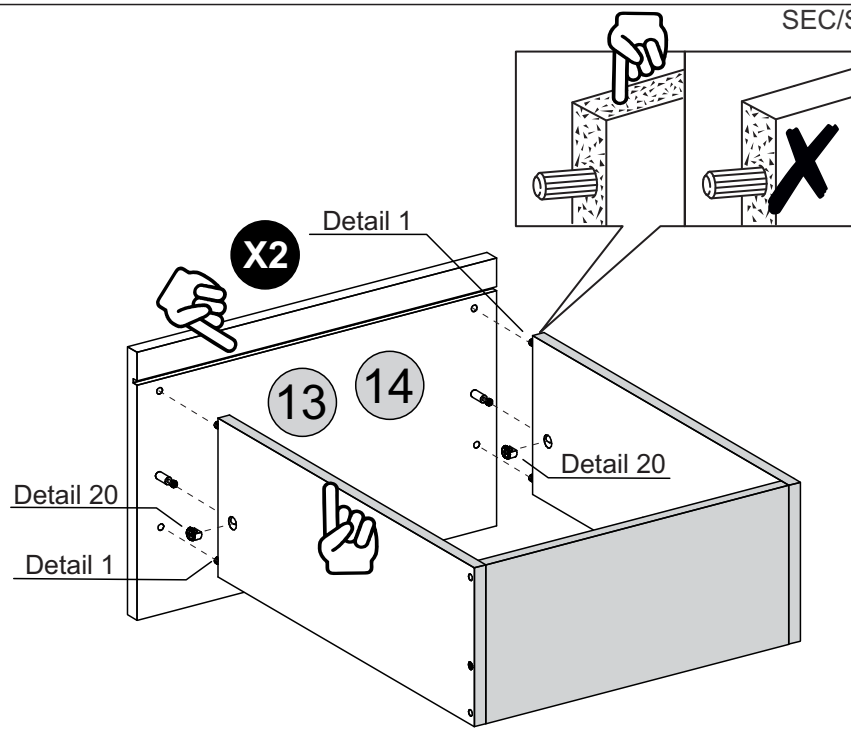
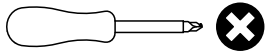
14 - SMALL LEFT DRAWER FRONT x1



HARDWARE REQUIRED

- G  04
- I  01
- O  04

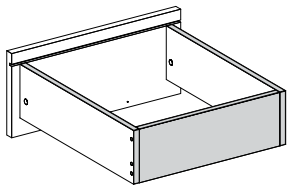
TOOLS REQUIRED



STEP 22

PARTS REQUIRED

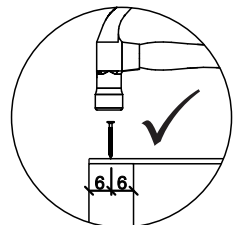
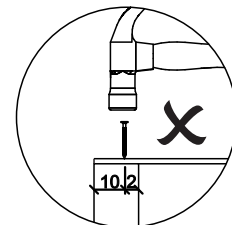
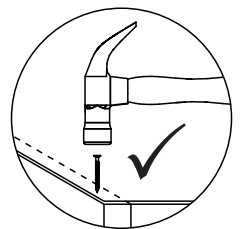
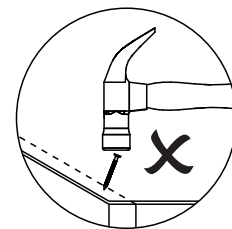
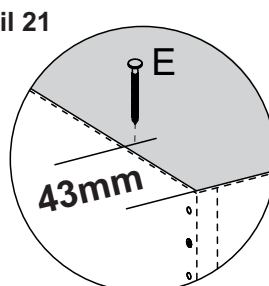
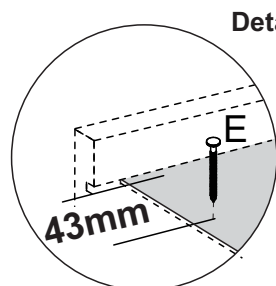
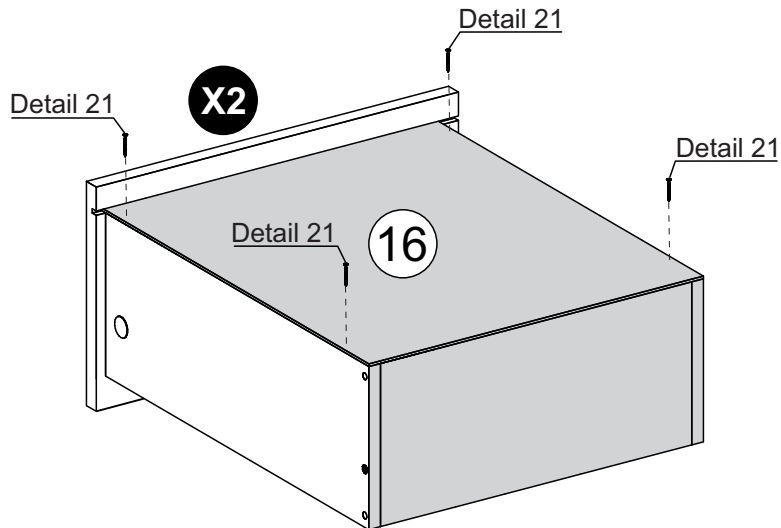
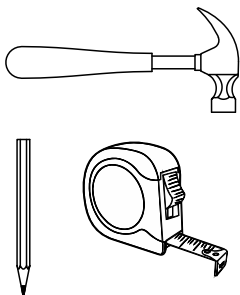
16 - SMALL DRAWER BOTTOM x2



HARDWARE REQUIRED

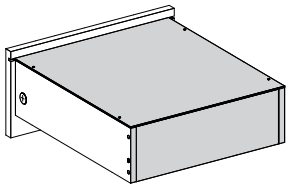
- E  08

TOOLS REQUIRED



STEP 23

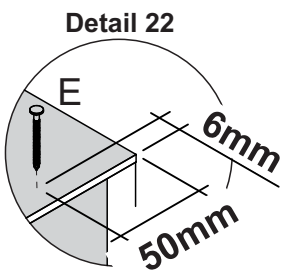
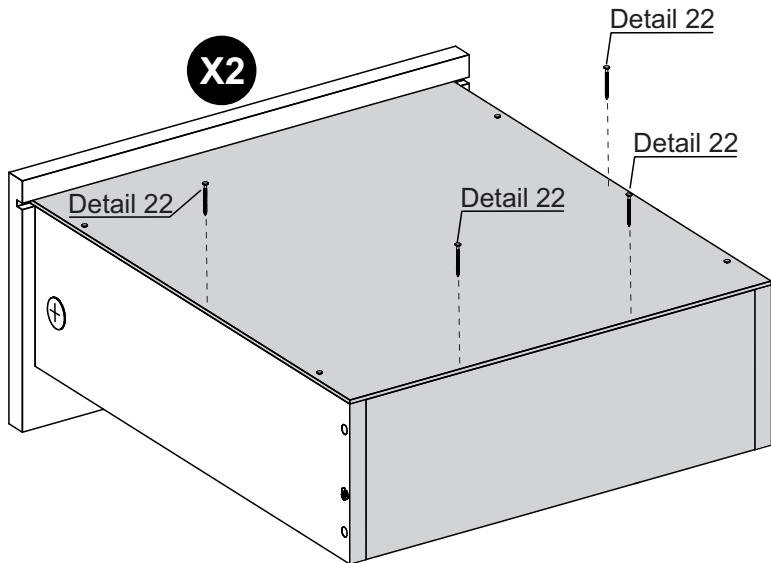
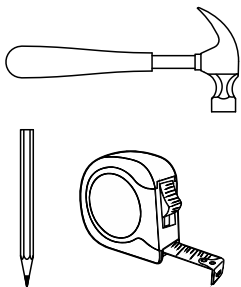
PARTS REQUIRED



HARDWARE REQUIRED

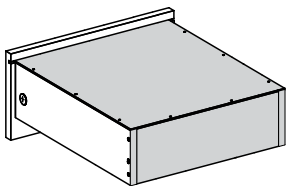


TOOLS REQUIRED

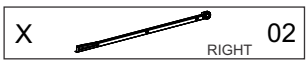
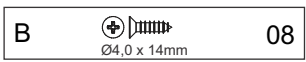


STEP 24

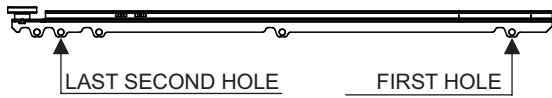
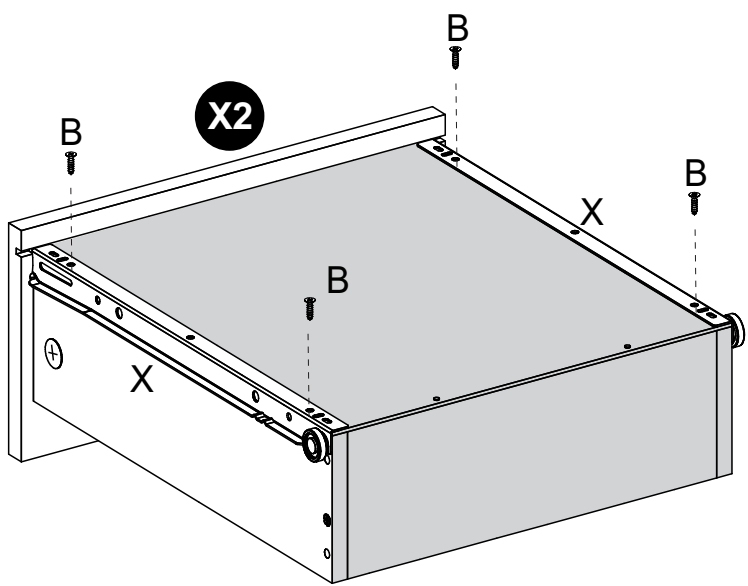
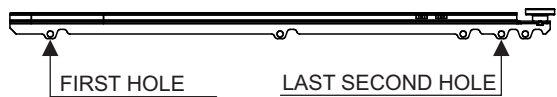
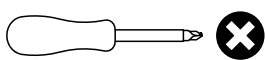
PARTS REQUIRED



HARDWARE REQUIRED

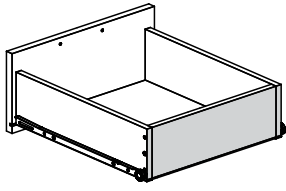


TOOLS REQUIRED

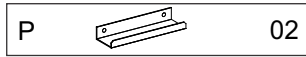
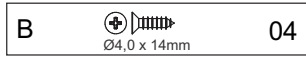


STEP 25

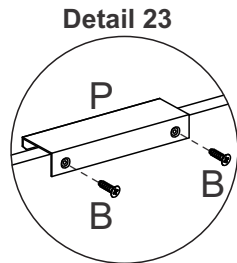
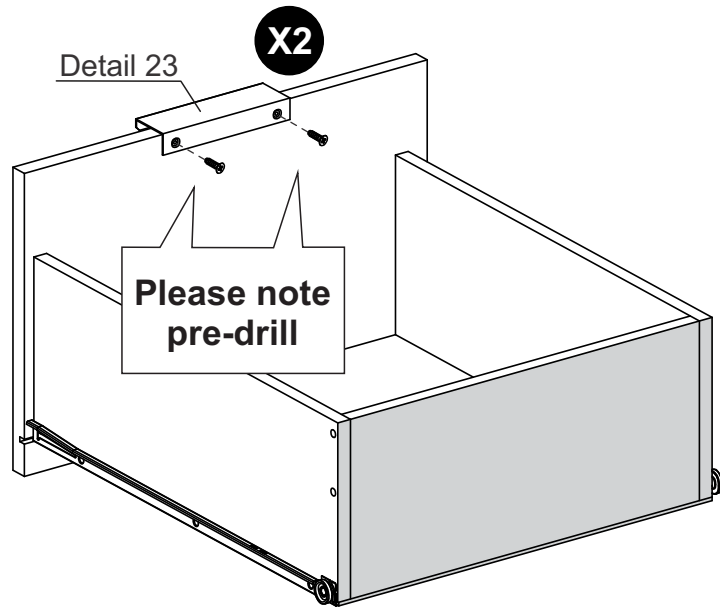
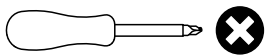
PARTS REQUIRED



HARDWARE REQUIRED

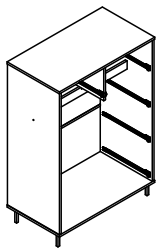


TOOLS REQUIRED



STEP 26

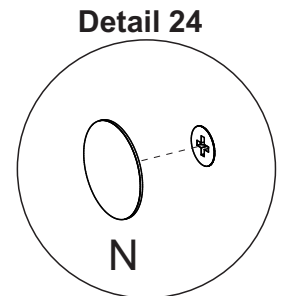
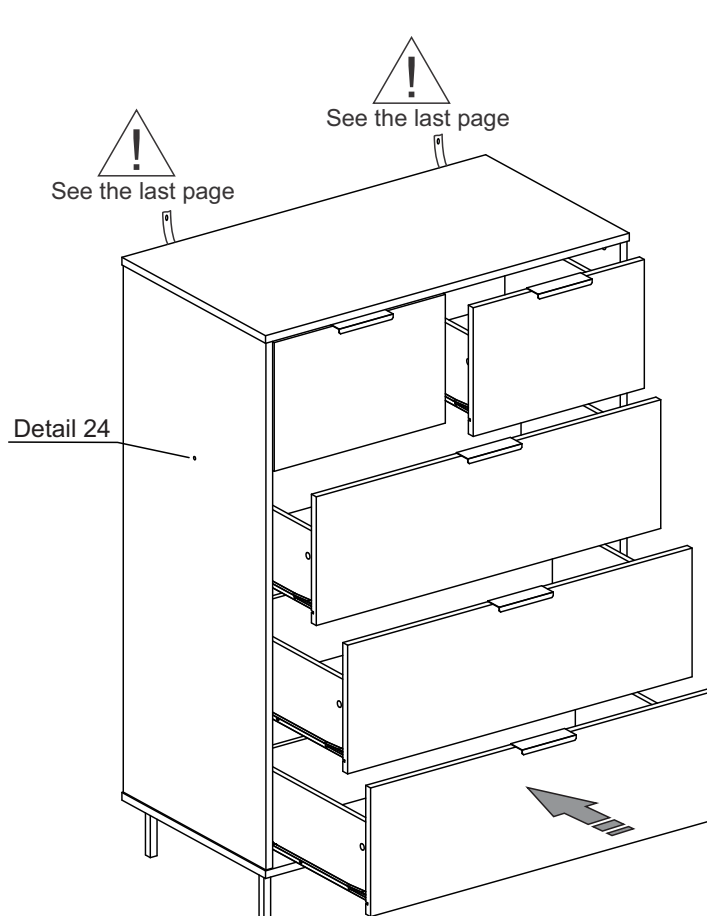
PARTS REQUIRED



HARDWARE REQUIRED

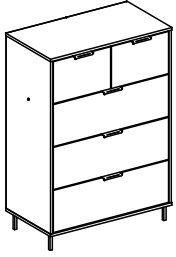


TOOLS REQUIRED




STEP 27

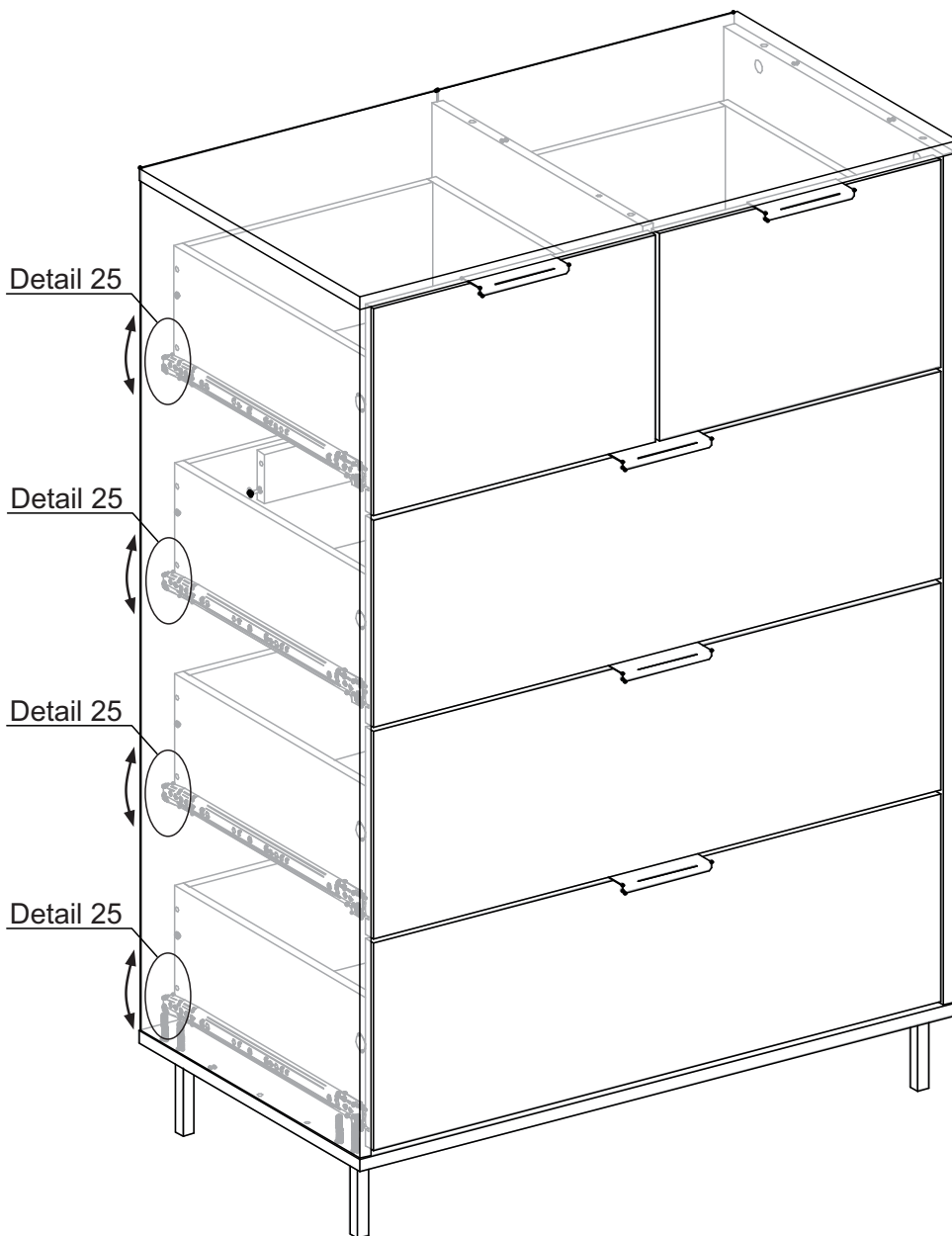
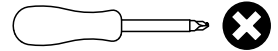
PARTS REQUIRED



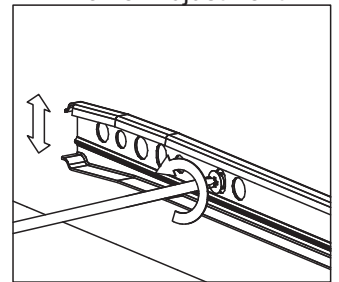
HARDWARE REQUIRED

B	 $\varnothing 4,0 \times 14\text{mm}$	10
---	--	----

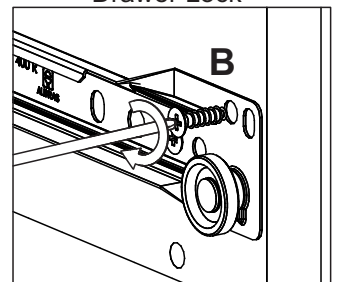
TOOLS REQUIRED



Detail 25
Drawer Adjustment



Drawer Lock



TIP
If desired, after assembly use an alcohol cleaner to erase the number printed on the parts.

WARNING

Serious or fatal injuries can occur from furniture tipping over. To prevent the furniture from tipping over we recommend that it is permanently fixed to the wall.

Wall fixings are not supplied with this product as different wall materials require different types of fixing devices.

Please make sure you use fixings suitable for the walls in your home.

