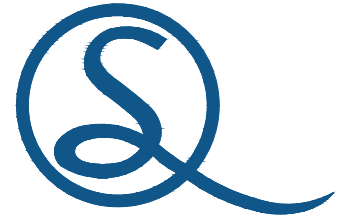
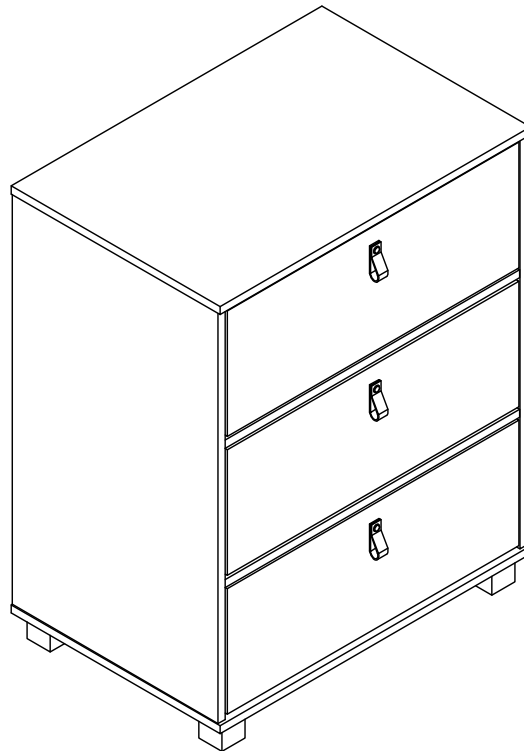


BROOKLYN 3 DRAWER CHEST ASSEMBLY INSTRUCTIONS



IMPORTANT FOR DOMESTIC USE ONLY PLEASE READ BEFORE YOU CONTINUE FURTHER

THE PRODUCT YOU HAVE PURCHASED WILL GIVE YOU MANY YEARS OF SERVICE IF YOU FOLLOW THE GUIDELINES FOR ITS SAFE ASSEMBLY AND PERIODIC MAINTENANCE AND CLEANING.

ASSEMBLE ON A SOFT CLEAN SURFACE.

DO NOT USE ANY TOOLS OTHER THAN THOSE SHOWN.

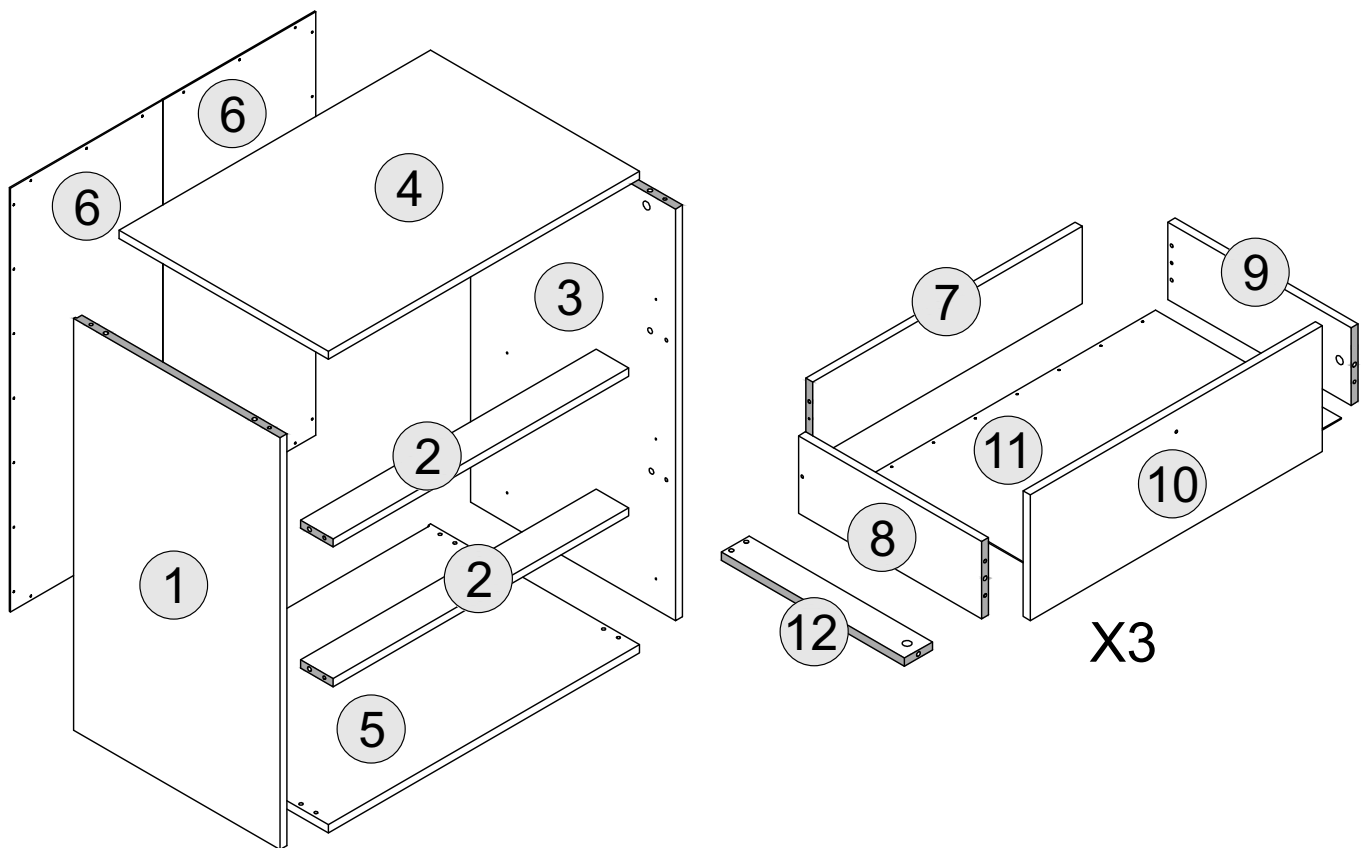
ANY SPANNERS OR ALLEN KEYS REQUIRED ARE INCLUDED WITH THE FITTINGS KIT.

DO NOT FOR ANY REASON USE A POWER TOOL TO ASSEMBLE THIS PRODUCT. ITS USE WILL INVALIDATE ANY CLAIM YOU MAY HAVE AND COULD MAKE THIS PRODUCT UNSAFE.

DEPENDING ON THE AMOUNT OF USE THIS PRODUCT RECEIVES IT MAY BE NECESSARY TO TIGHTEN UP THE FIXINGS FROM TIME TO TIME. THIS IS COMPLETELY NORMAL FOR ANY FLAT PACK FURNITURE. DO NOT OVERTIGHTEN FIXING.

FOR CLEANING, YOU MAY USE A DAMP CLOTH (NOT WET) DO NOT USE POLISH, DETERGENT OR CHEMICAL CLEANERS.




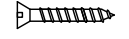







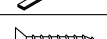

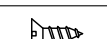


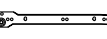

THE SURFACE OF THIS ITEM IS NOT HEAT RESISTANT. ALWAYS USE A PLACE MAT UNDER HOT OR COLD ITEMS TO PREVENT MARKING.

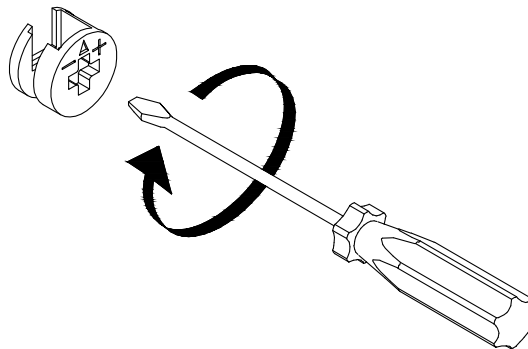


PART LIST

<u>Part Number</u>	<u>Part Code</u>	<u>Part Description</u>	<u>Quantity</u>	<u>Carton</u>
1	S100-102-166-EU1-01	Side Panel - Left	1	1/1
2	S100-102-166-EU1-02	Crossbar - Centre	2	1/1
3	S100-102-166-EU1-03	Side Panel - Right	1	1/1
4	S100-102-166-EU1-04	Top Panel	1	1/1
5	S100-102-166-EU1-05	Bottom Panel	1	1/1
6	S100-102-166-EU1-06	Back Panel	2	1/1
7	S100-102-166-EU1-07	Drawer Back	3	1/1
8	S100-102-166-EU1-08	Drawer Side - Left	3	1/1
9	S100-102-166-EU1-09	Drawer Side - Right	3	1/1
10	S100-102-166-EU1-10	Drawer Front	3	1/1
11	S100-102-166-EU1-11	Drawer Base	3	1/1
12	S100-102-166-EU1-12	Drawer Bottom Support Rail	3	1/1

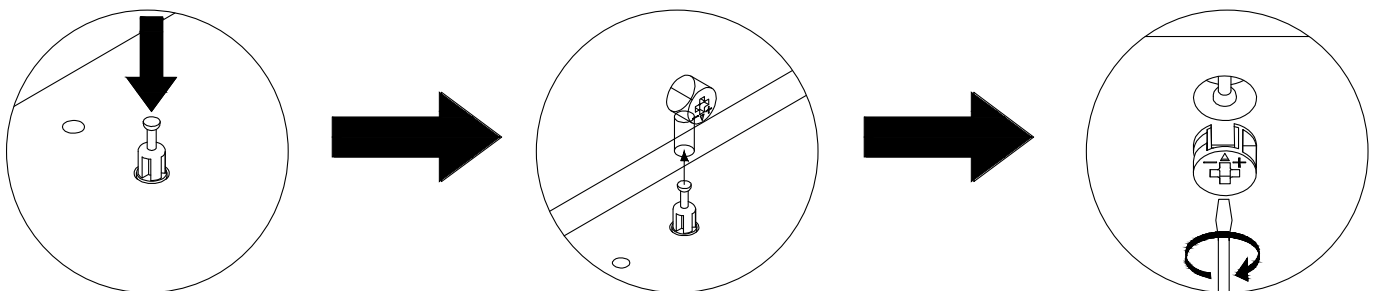
HARDWARE LIST

A		DOWEL 6 X 30MM	36 PCS	O		DRAWER RUNNER B - L/R	6 PCS
B		ALLEN KEY	1 PC	P		SCREW M4 X 38MM	6 PCS
C		SCREW M6 X 50MM	4 PCS	Q		ANTI - TIP STRAP	2 PCS
D		SCREW M3.5 X 16MM	18 PCS	R		SCREW M4 X 16MM	2 PCS
E		TACK	26 PCS				
F		SCREW M4 X 50MM	16 PCS				
G		HANDLE	3 PCS				
H		PLASTIC H STRIP	1 PC				
I		SCREW M4 X 30MM	6 PCS				
J		HANDLE SCREW 19MM	3 PCS				
K		SCREW M3.5 X 12MM	42 PCS				
L		CAM BOLT + CAM NUT	17 SET				
M		WOOD FOOT	4 PCS				
N		DRAWER RUNNER A - L/R	6 PCS				



(SCREWDRIVER NOT PROVIDED)

USE A FLAT HEAD SCREWDRIVER TO TIGHTEN THE CAM NUTS. A QUARTER TURN CLOCKWISE IS ALL THAT IS NEEDED.



STEP 1 - PUSH CAM BOLT INTO INSERT.

STEP 2 - ALIGN THE CAM BOLT WITH THE HOLE AND PUSH TOGETHER UNTIL FLUSH. (MAKE SURE THE ARROW OF THE CAM LOCK IS POINTING TOWARD THE EDGE OF THE PANEL.)

STEP 3 - THE HEAD OF THE BOLT GOES INTO THE WIDE MOUTH OF THE CAM LOCK. YOU THEN TURN THE LOCK SO THE NARROW PART CLOSSES OVER THE BOLT.

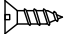
STEP 1

PARTS REQUIRED

1 - SIDE PANEL - LEFT x1

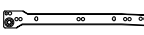
HARDWARE REQUIRED

A  04

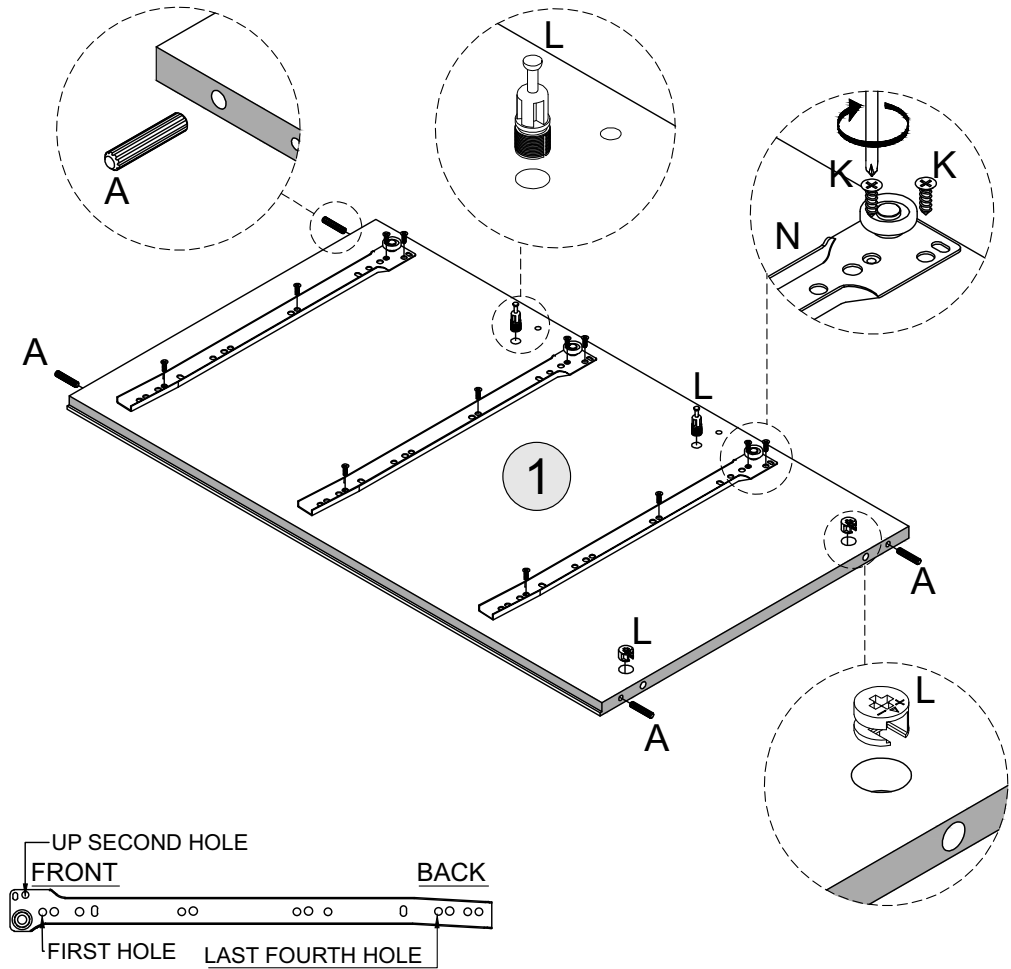
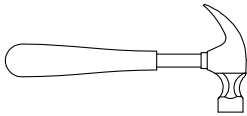
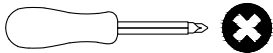
K  12

L  02

L  02

N  03

TOOLS REQUIRED



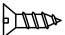
STEP 2

PARTS REQUIRED

3 - SIDE PANEL - RIGHT x1

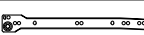
HARDWARE REQUIRED

A  04

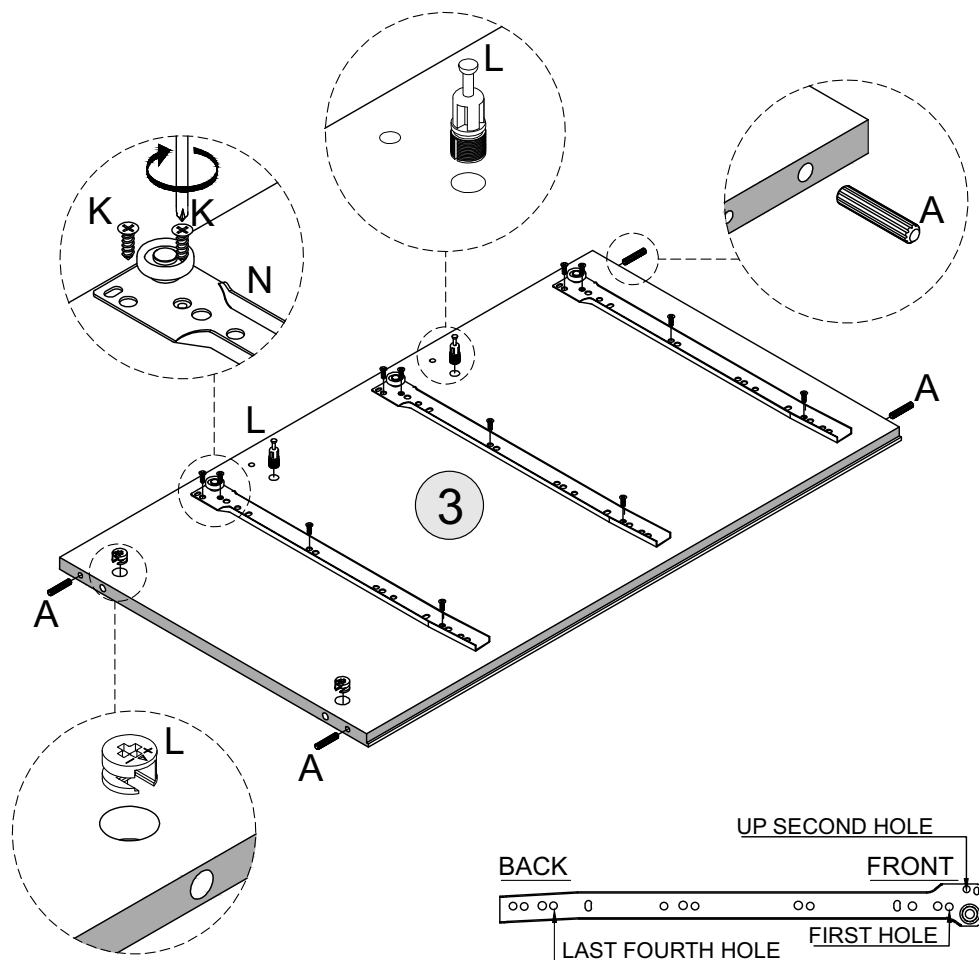
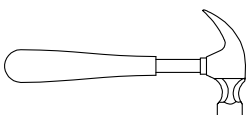
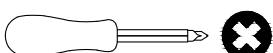
K  12

L  02

L  02

N  03

TOOLS REQUIRED



STEP 3

PARTS REQUIRED

2 - CROSSBAR - CENTRE x2

4 - TOP PANEL x1

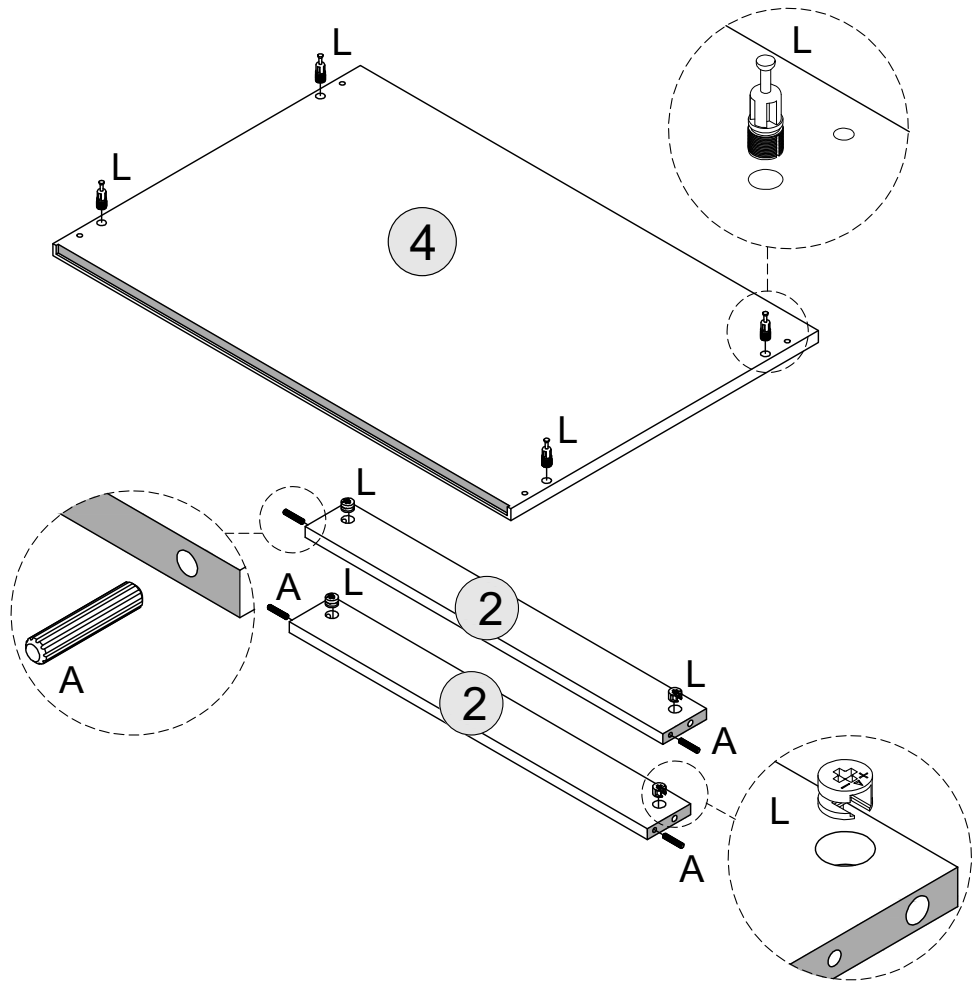
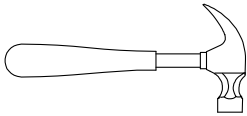
HARDWARE REQUIRED

A  04

L  04

L  04

TOOLS REQUIRED



STEP 4

PARTS REQUIRED

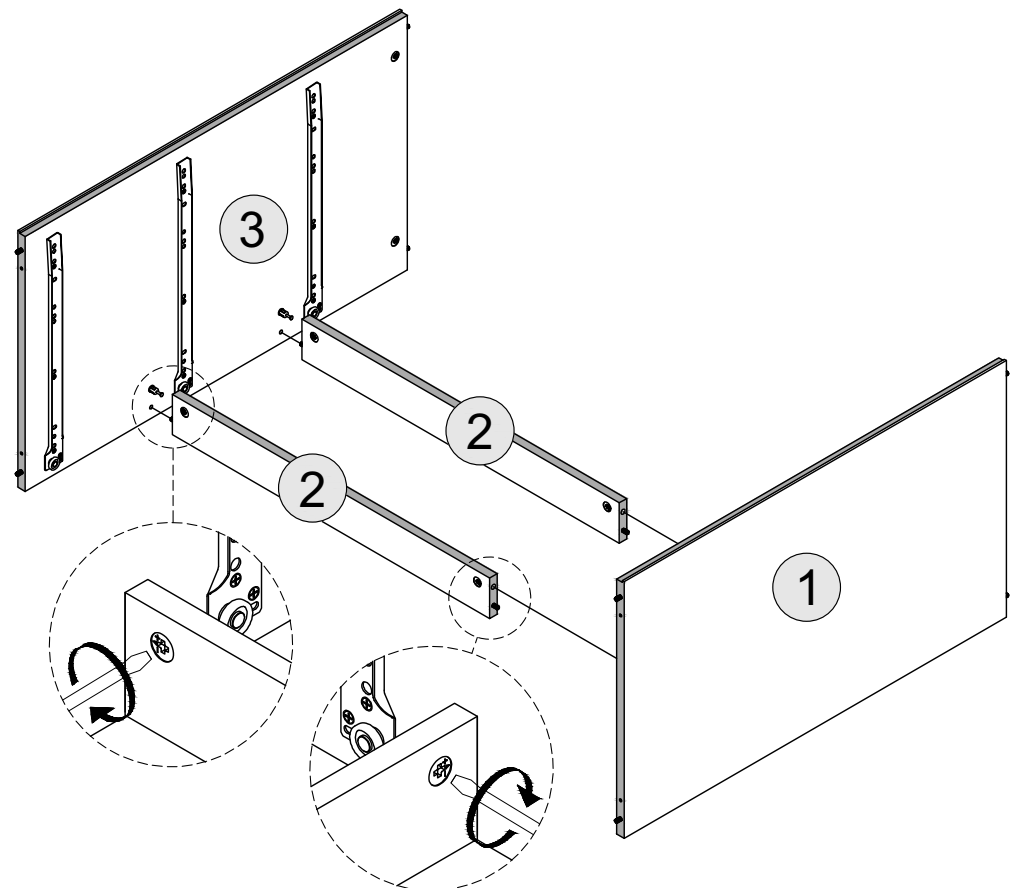
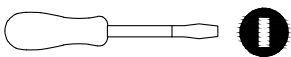
1 - SIDE PANEL - LEFT x1

2 - CROSSBAR - CENTRE x2

3 - SIDE PANEL - RIGHT x1

HARDWARE REQUIRED

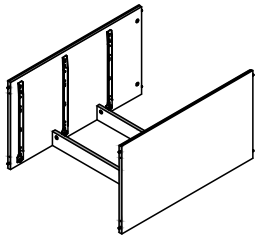
TOOLS REQUIRED



STEP 5

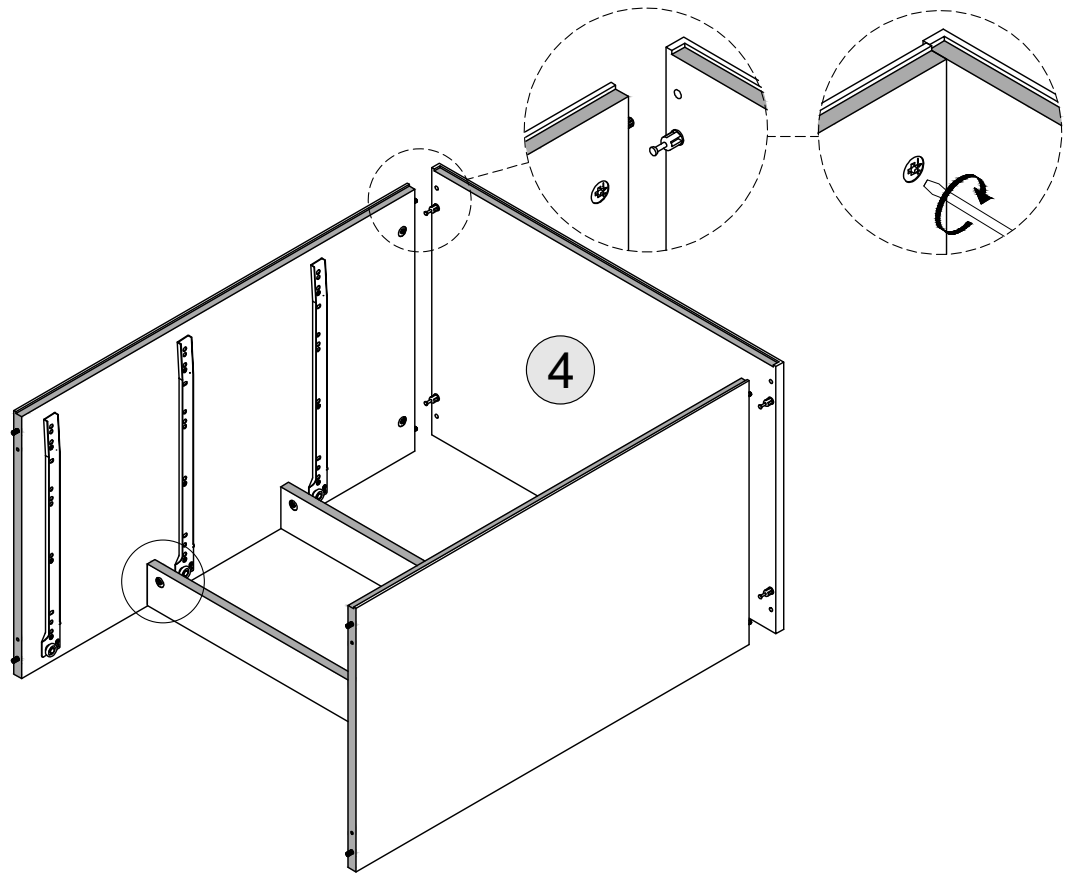
PARTS REQUIRED

4 - TOP PANEL x1



HARDWARE REQUIRED

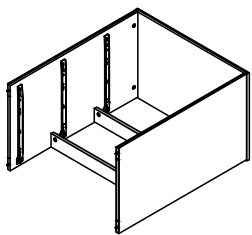
TOOLS REQUIRED



STEP 6

PARTS REQUIRED

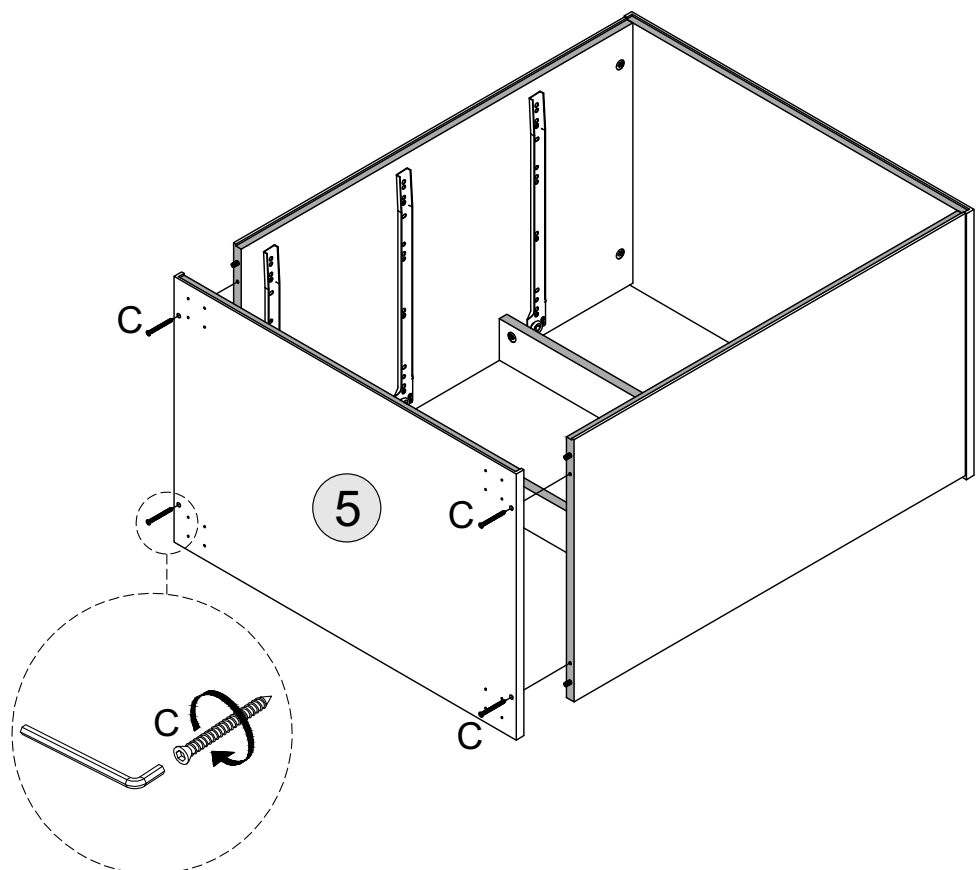
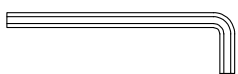
5 - BOTTOM PANEL x1



HARDWARE REQUIRED

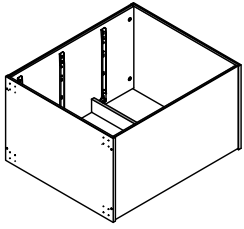
C  04

TOOLS REQUIRED

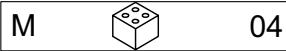


STEP 7

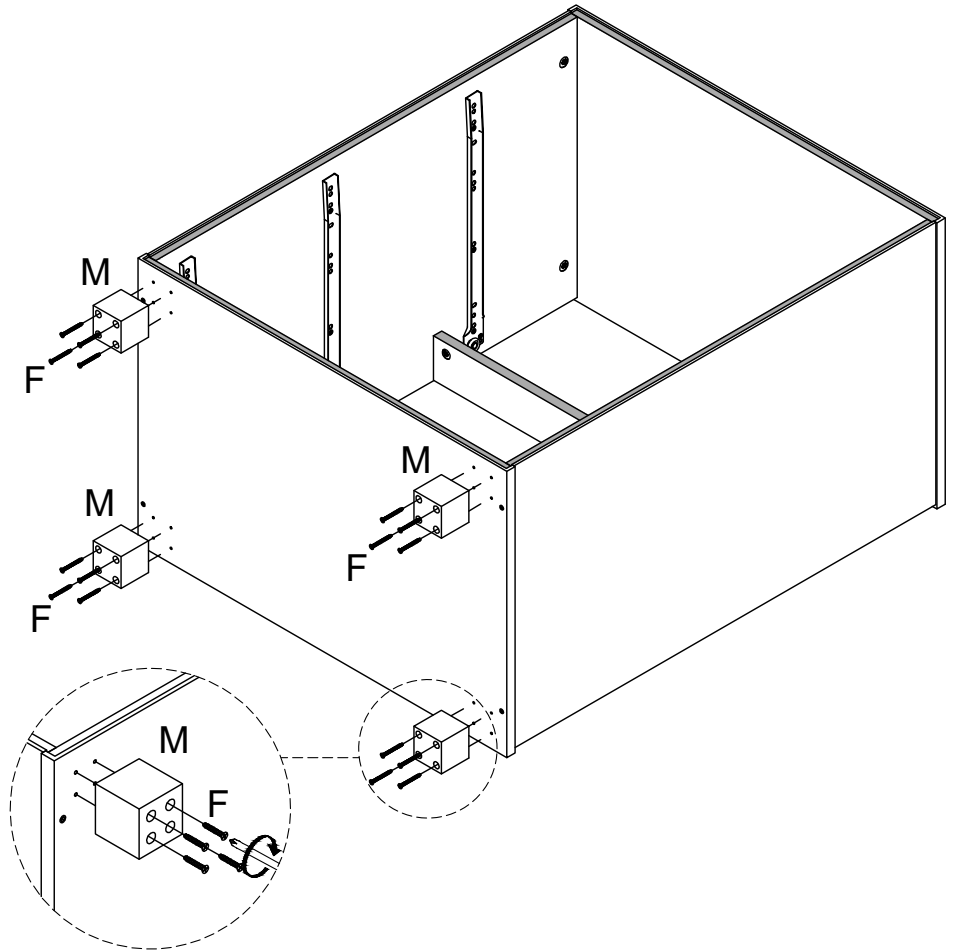
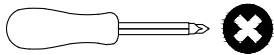
PARTS REQUIRED



HARDWARE REQUIRED



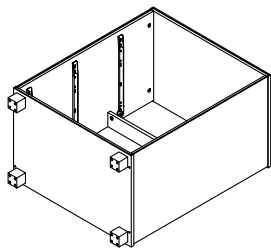
TOOLS REQUIRED



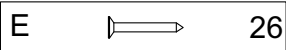
STEP 8

PARTS REQUIRED

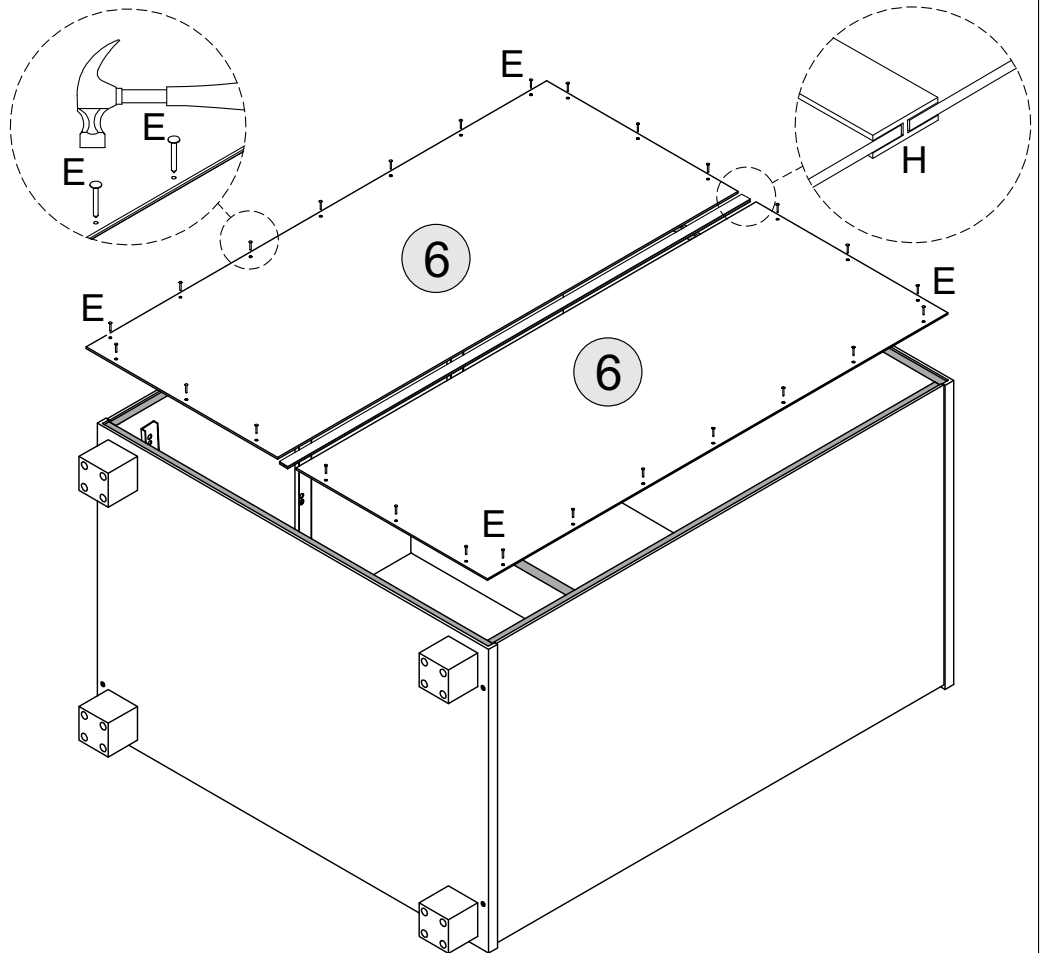
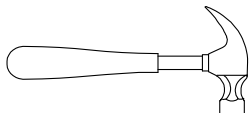
6 - BACK PANEL	x2
----------------	----



HARDWARE REQUIRED



TOOLS REQUIRED


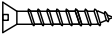




STEP 9

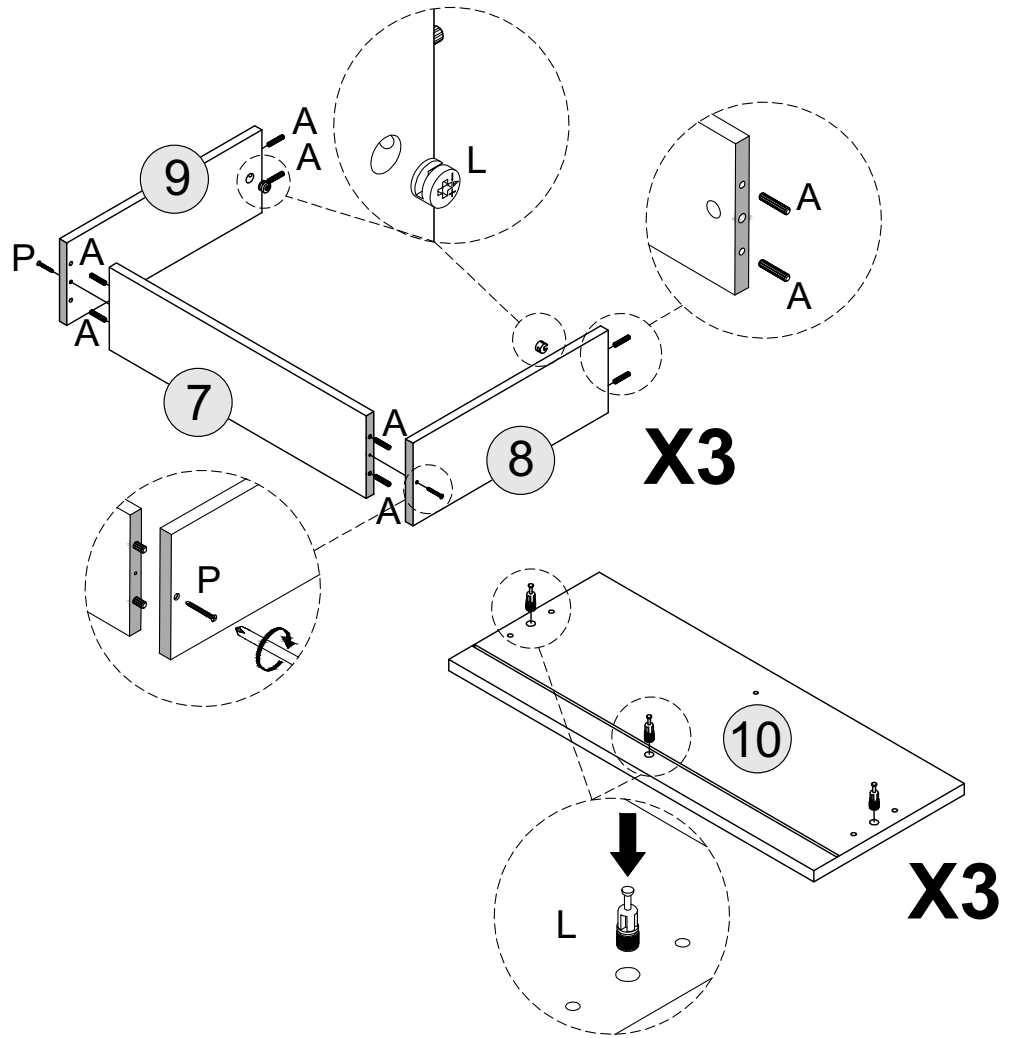
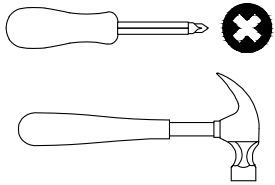
PARTS REQUIRED

7 - DRAWER BACK	x3
8 - DRAWER SIDE-LEFT	x3
9 - DRAWER SIDE-RIGHT	x3
10 - DRAWER FRONT	x3

HARDWARE REQUIRED

A		24
P		06
L		09
L		06

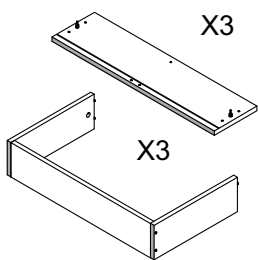
TOOLS REQUIRED





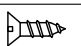
STEP 10

PARTS REQUIRED

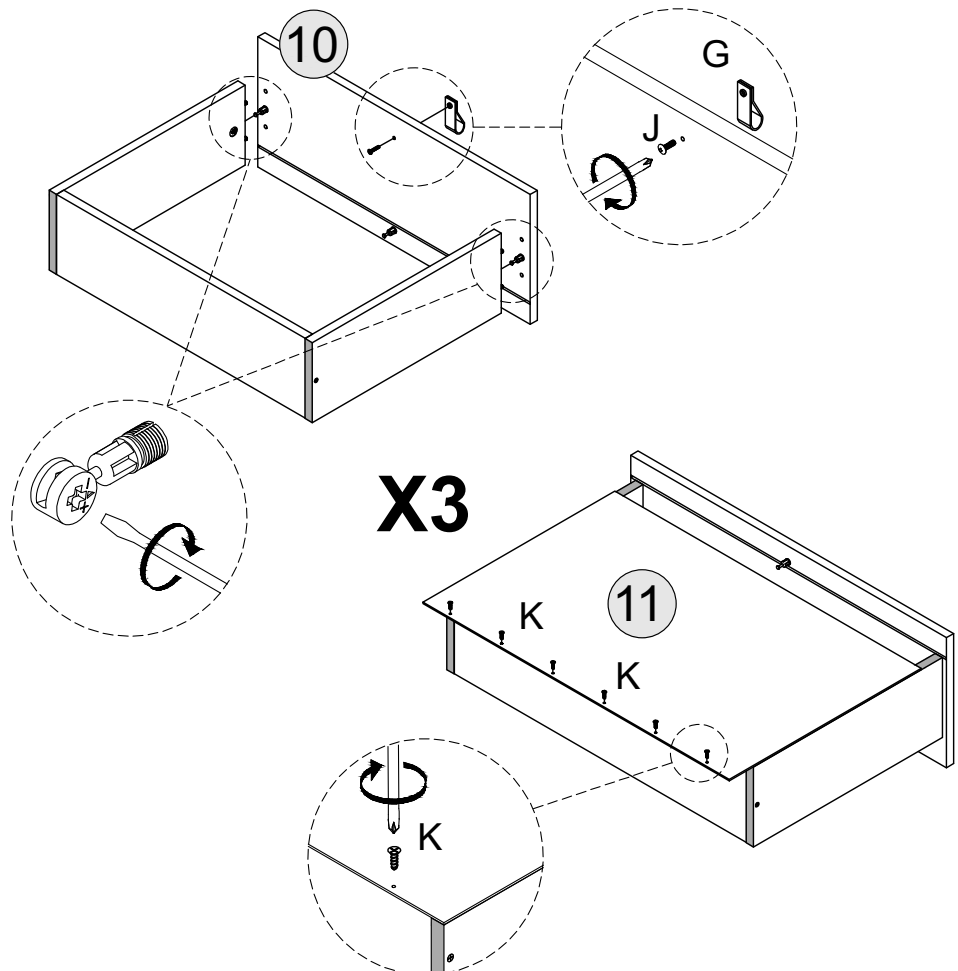
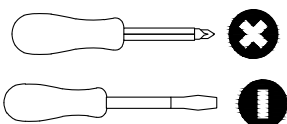
11 - DRAWER BASE	x3
------------------	----



HARDWARE REQUIRED

G		03
J		03
K		18

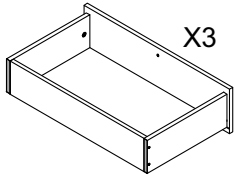
TOOLS REQUIRED



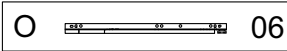
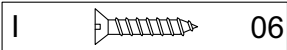
STEP 11

PARTS REQUIRED

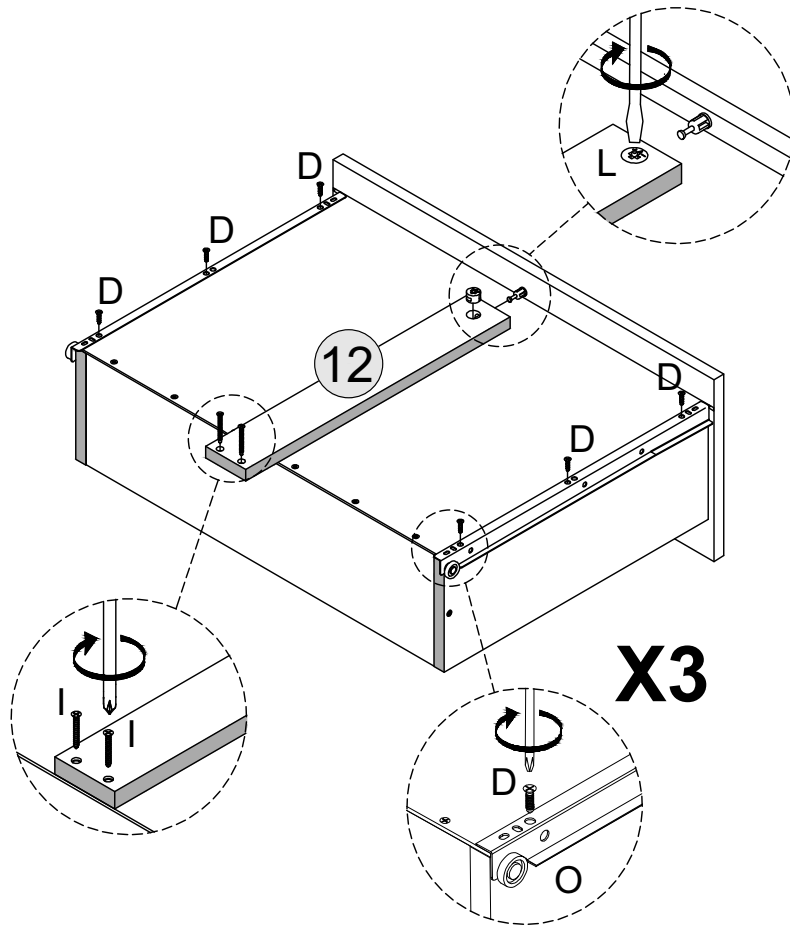
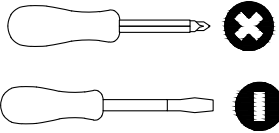
12 -DRAWER BOTTOM SUPPORT RAIL x3



HARDWARE REQUIRED

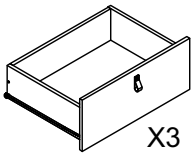
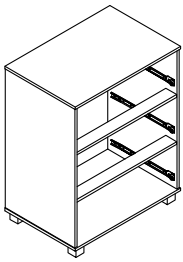


TOOLS REQUIRED



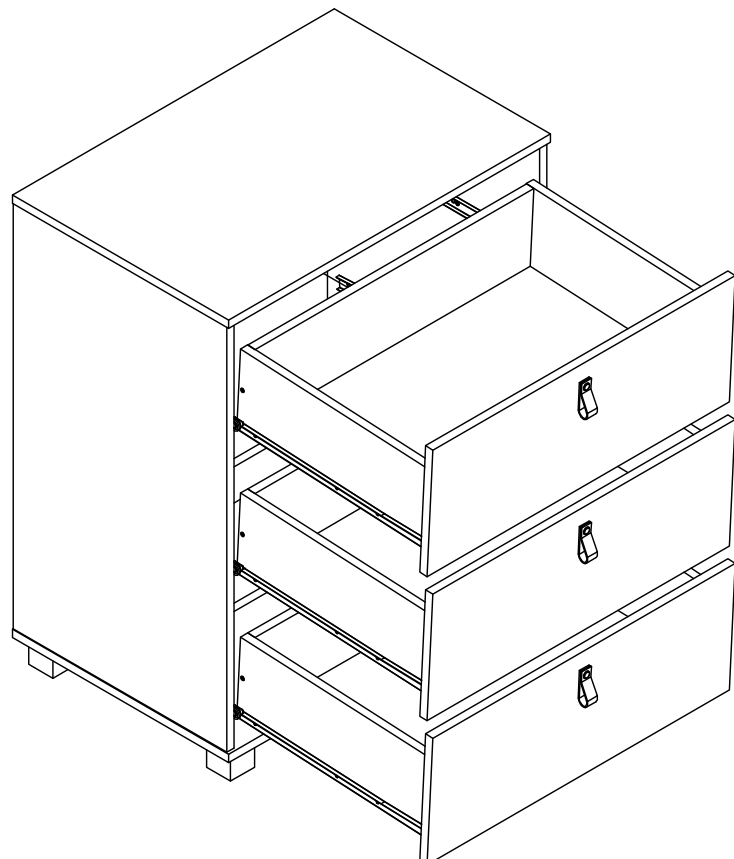
STEP 12

PARTS REQUIRED



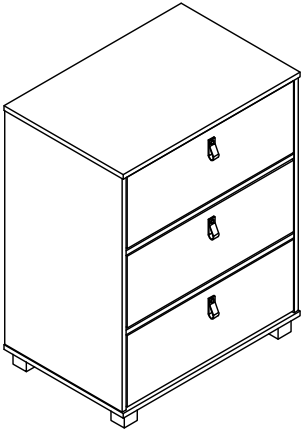
HARDWARE REQUIRED

TOOLS REQUIRED



STEP 13

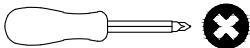
PART REQUIRED



HARDWARE REQUIRED



TOOLS REQUIRED



WARNING

Serious or fatal injuries can occur from furniture tipping over. To prevent the furniture from tipping over we recommend that it is permanently fixed to the wall.

Wall fixings are not supplied with this product as different wall materials require different types of fixing devices. Please make sure you use fixings suitable for the walls in your home.

