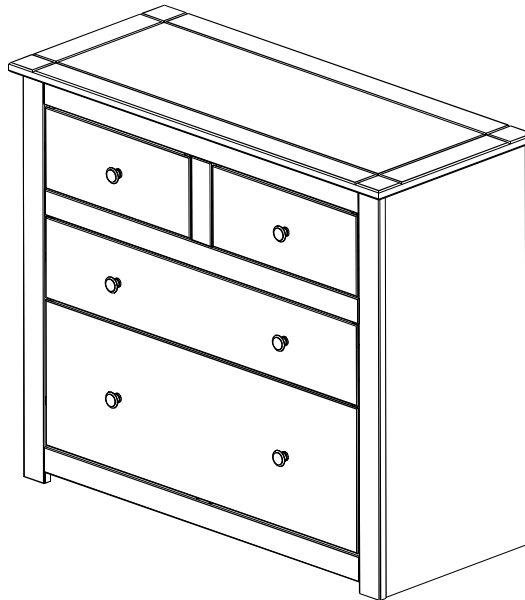


WHITE/NATURAL WAX PANAMA 2+2 DRAWER CHEST ASSEMBLY INSTRUCTIONS

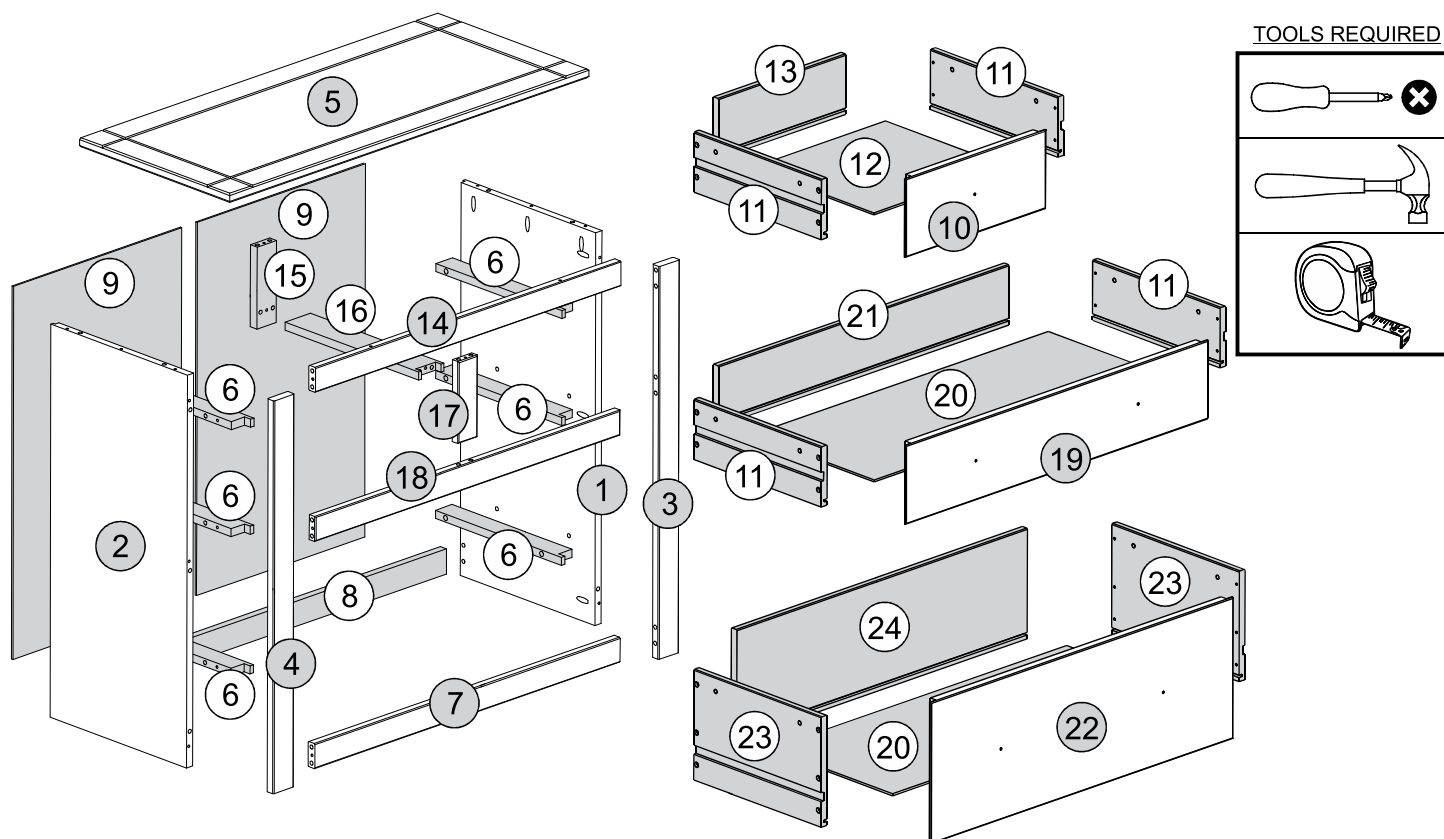


IMPORTANT FOR DOMESTIC USE ONLY

PLEASE READ BEFORE YOU CONTINUE FURTHER

CARE AND MAINTENANCE

- After unpacking this product please keep the original packaging in case it needs to be returned for any reason.
- Please ensure all fittings and parts are present before commencing with assembly.
 - Never drag or push products as this could cause damage to the joints making it inferior.
 - We strongly recommend that you keep children away from your work area.
 - We recommend that you lay a blanket or sheet on the floor to avoid damage to both your floor and the product.
 - Assemble this product as close to its final position as possible.
 - Do not place this product next to a radiator or in direct sunlight.
 - Do not drag or push items across your high gloss furniture as this may cause the surface to scratch
 - Wood is a natural product and may expand if subjected to damp and may shrink or crack if subjected to heat. Therefore it is recommended that room temperature is maintained, with no sudden temperature fluctuations.
 - Make sure any spillage is wiped off immediately.
 - Do not place hot or chilled items directly on to the surface, use a place mat or marking will occur.
 - For general cleaning use a soft cotton or micro fibre cloth, and do not use detergents of any kind.
 - From time to time it may be necessary to tighten fittings, regular inspections should be carried out.
 - Do not place on a wet or damp floor as staining may occur to your floor.



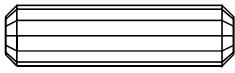

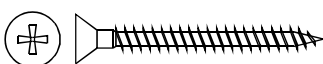

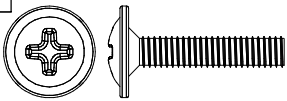
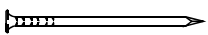
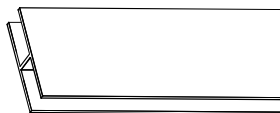

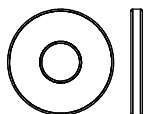

PARTS LIST

Please Note:

The below parts have all been stamped with the part number to help identify them during assembly.

| Part Number | Part Code | Part Description | Quantity | Carton |
|-------------|---------------------|--------------------------|----------|--------|
| 1 | S100-102-174-MY1-01 | Right Side Panel | 1 | 1/1 |
| 2 | S100-102-174-MY1-02 | Left Side Panel | 1 | 1/1 |
| 3 | S100-102-174-MY1-03 | Right Front Upright | 1 | 1/1 |
| 4 | S100-102-174-MY1-04 | Left Front Upright | 1 | 1/1 |
| 5 | S100-102-174-MY1-05 | Top Panel | 1 | 1/1 |
| 6 | S100-102-174-MY1-06 | Drawer Runner | 6 | 1/1 |
| 7 | S100-102-174-MY1-07 | Bottom Front Crossbeam | 1 | 1/1 |
| 8 | S100-102-174-MY1-08 | Back Crossbeam | 1 | 1/1 |
| 9 | S100-102-174-MY1-09 | Back Panel | 2 | 1/1 |
| 10 | S100-102-174-MY1-10 | Small Drawer Front | 2 | 1/1 |
| 11 | S100-102-174-MY1-11 | Small/Middle Drawer Side | 6 | 1/1 |
| 12 | S100-102-174-MY1-12 | Small Drawer Bottom | 2 | 1/1 |
| 13 | S100-102-174-MY1-13 | Small Drawer Back | 2 | 1/1 |
| 14 | S100-102-174-MY1-14 | Top Front Crossbeam | 1 | 1/1 |
| 15 | S100-102-174-MY1-15 | Drawer Runner Upright | 1 | 1/1 |
| 16 | S100-102-174-MY1-16 | Centre Drawer Runner | 1 | 1/1 |
| 17 | S100-102-174-MY1-17 | Centre Front Upright | 1 | 1/1 |
| 18 | S100-102-174-MY1-18 | Centre Front Crossbeam | 1 | 1/1 |
| 19 | S100-102-174-MY1-19 | Middle Drawer Front | 1 | 1/1 |
| 20 | S100-102-174-MY1-20 | Drawer Bottom | 2 | 1/1 |
| 21 | S100-102-174-MY1-21 | Middle Drawer Back | 1 | 1/1 |
| 22 | S100-102-174-MY1-22 | Large Drawer Front | 1 | 1/1 |
| 23 | S100-102-174-MY1-23 | Large Drawer Side | 2 | 1/1 |
| 24 | S100-102-174-MY1-24 | Large Drawer Back | 1 | 1/1 |

FITTINGS LIST

| | | | |
|--|--|--|--|
| <p>A</p>  <p>x2 Dowel Ø8,0 x 30mm (56x)</p> | <p>B</p>  <p>x2 Pan Head Screw Ø3,5 x 30mm (41x)</p> | <p>C</p>  <p>x2 Flat Head Screw Ø3,0 x 30mm (32x)</p> | <p>D</p>  <p>Hangle (6x)</p> |
| <p>E</p>  <p>x1 Flan Head Screw M4 x 25mm (6x)</p> | <p>F</p>  <p>x2 Nail 8x8 (18x)</p> | <p>G</p>  <p>740mm (1x)</p> | <p>H</p>  <p>Anti - Tip - Kit (1x)</p> |
| <p>I</p>  <p>x1 Washer (2x)</p> | <p>J</p>  <p>x1 Flat Head Screw Ø3,5 x 14mm (6x)</p> | | |

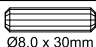
STEP 1

PARTS REQUIRED

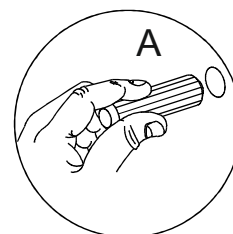
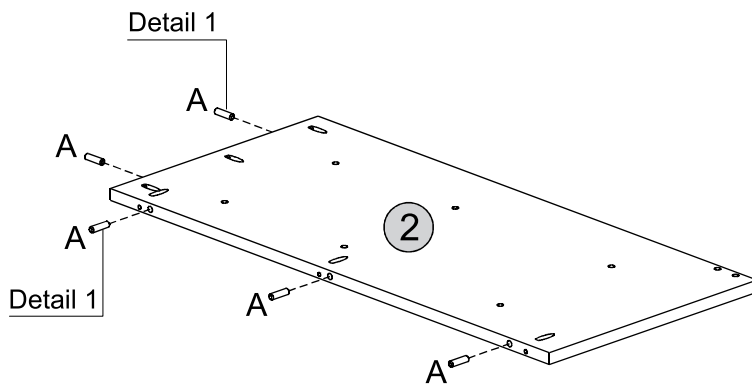
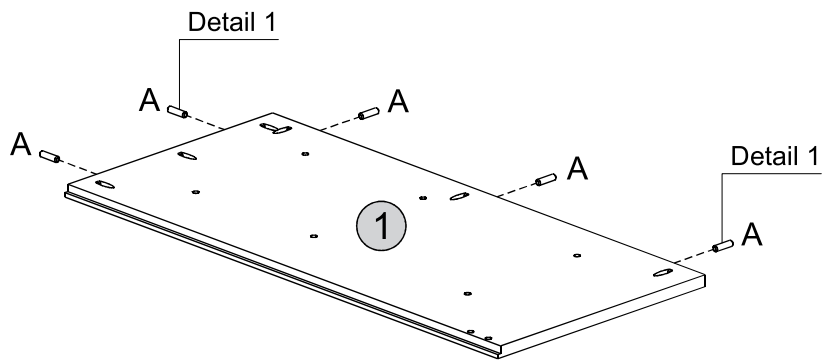
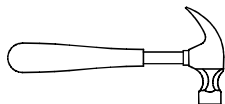
1 - RIGHT SIDE PANEL x1

2 - LEFT SIDE PANEL x1

HARDWARE REQUIRED

A  10
Ø8,0 x 30mm

TOOLS REQUIRED



Detail 1

STEP 2

PARTS REQUIRED

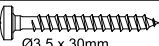
1 - RIGHT SIDE PANEL x1

2 - LEFT SIDE PANEL x1

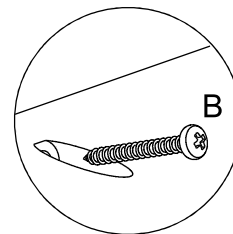
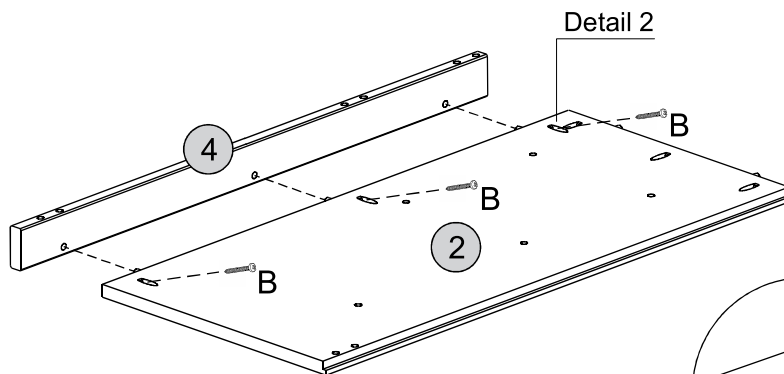
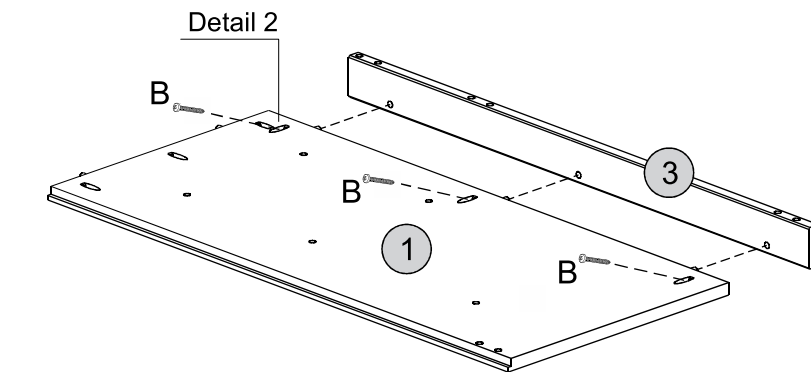
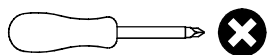
3 - RIGHT FRONT UPRIGHT x1

4 - LEFT FRONT UPRIGHT x1

HARDWARE REQUIRED

B  06
Ø3,5 x 30mm

TOOLS REQUIRED



Detail 2

STEP 3

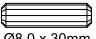
PARTS REQUIRED

14 - TOP FRONT CROSBEAM x1

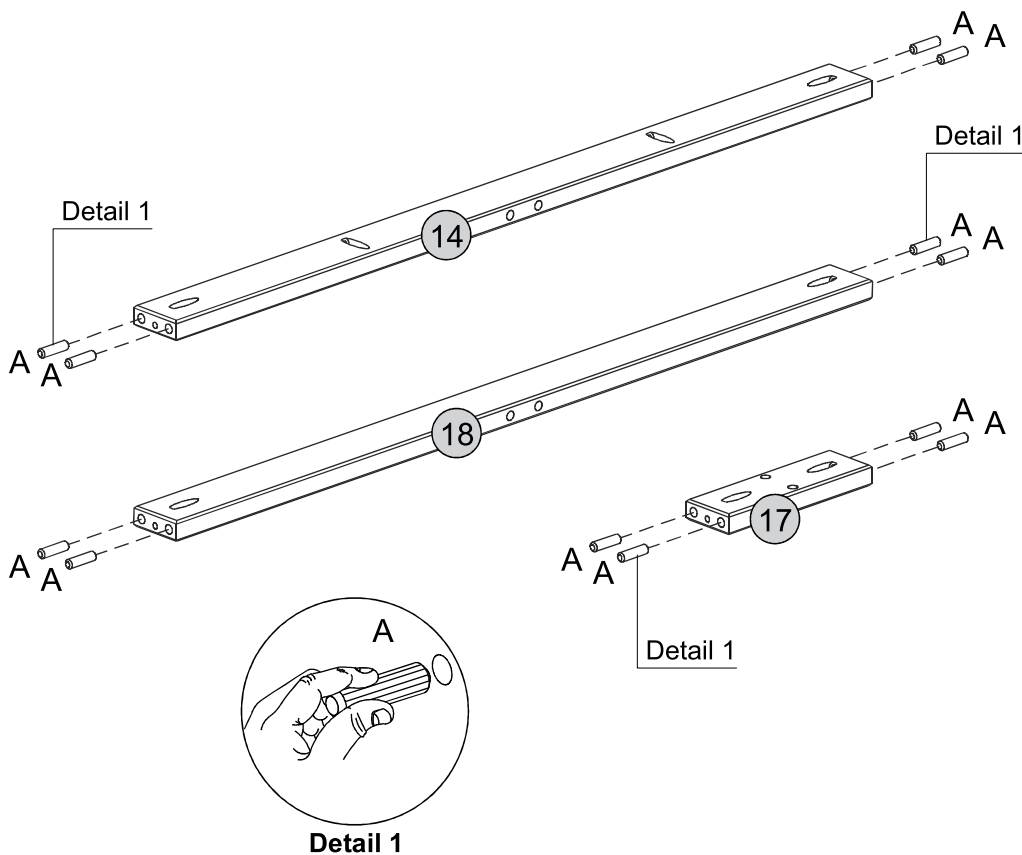
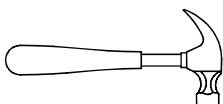
17 - CENTRE FRONT UPRIGHT x1

18 - CENTRE FRONT CROSBEAM x1

HARDWARE REQUIRED

A  12
Ø8,0 x 30mm

TOOLS REQUIRED



STEP 4

PARTS REQUIRED

14 - TOP FRONT CROSBEAM x1

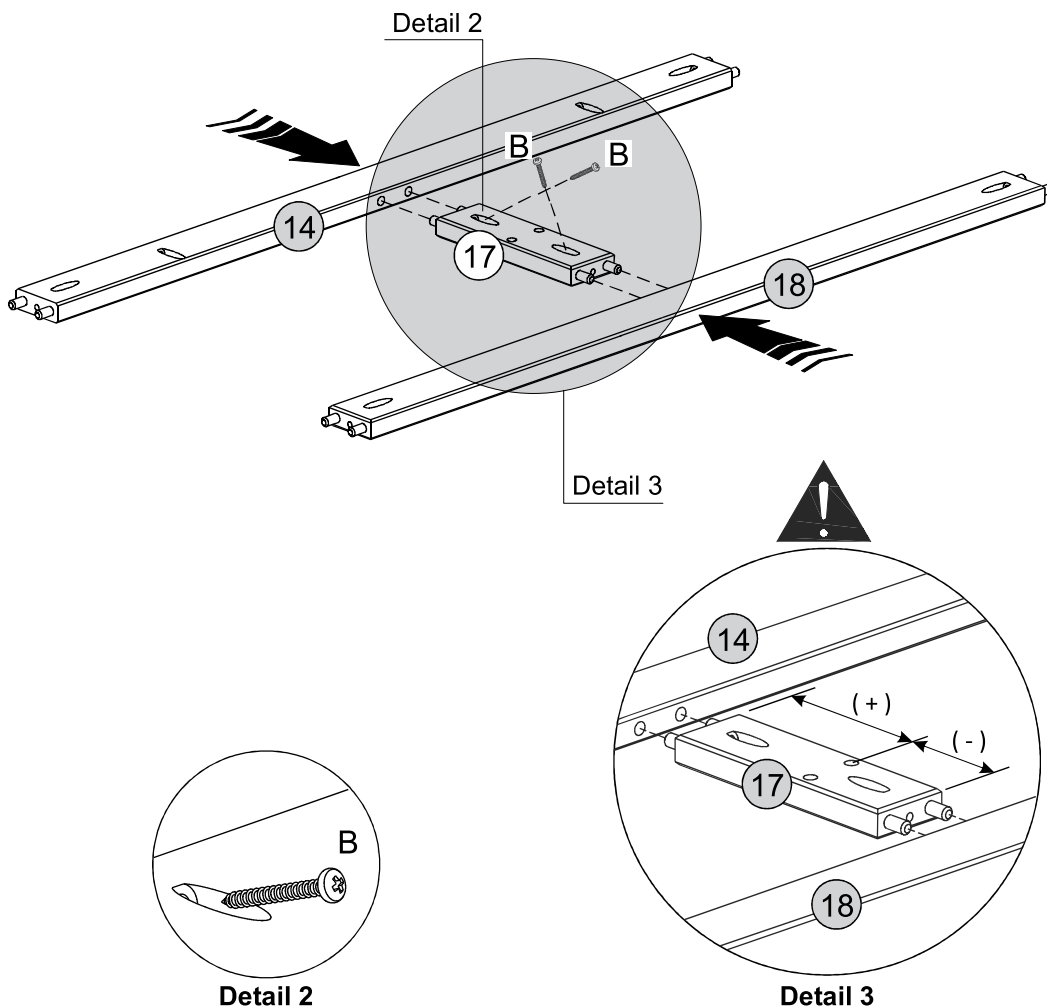
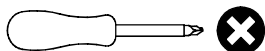
17 - CENTRE FRONT UPRIGHT x1

18 - CENTRE FRONT CROSBEAM x1

HARDWARE REQUIRED

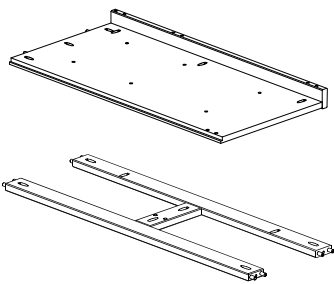
B  02
Ø3,5 x 30mm

TOOLS REQUIRED

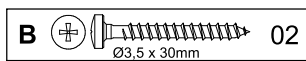


STEP 5

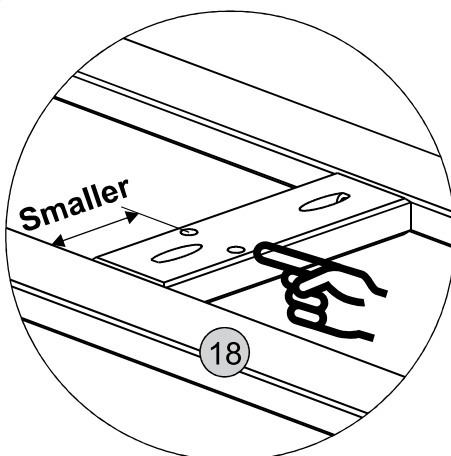
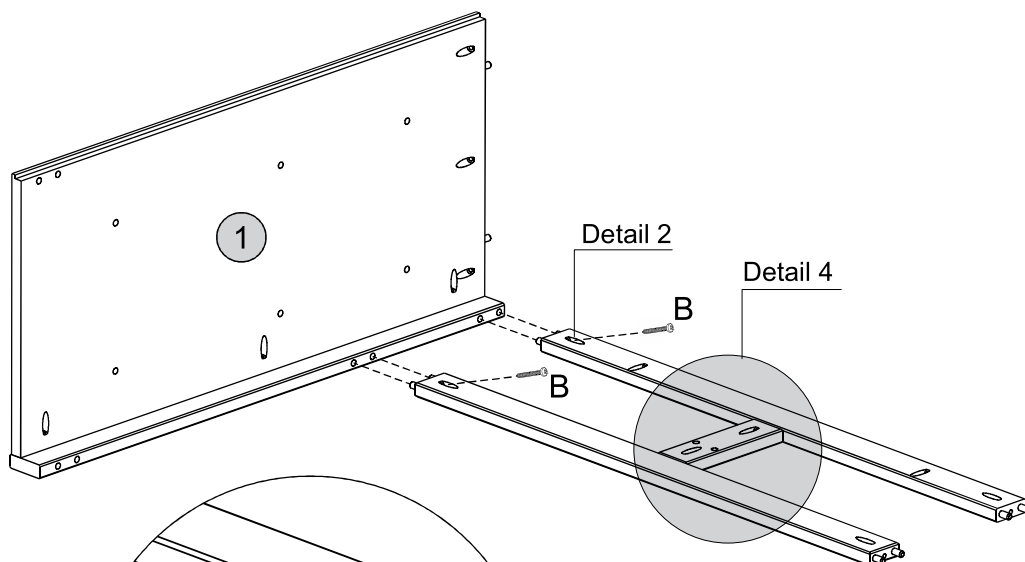
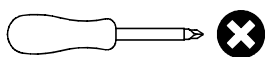
PARTS REQUIRED



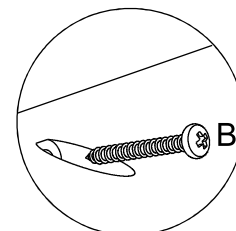
HARDWARE REQUIRED



TOOLS REQUIRED



Detail 4



Detail 2

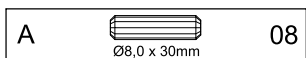
STEP 6

PARTS REQUIRED

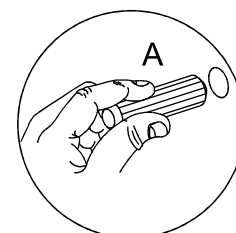
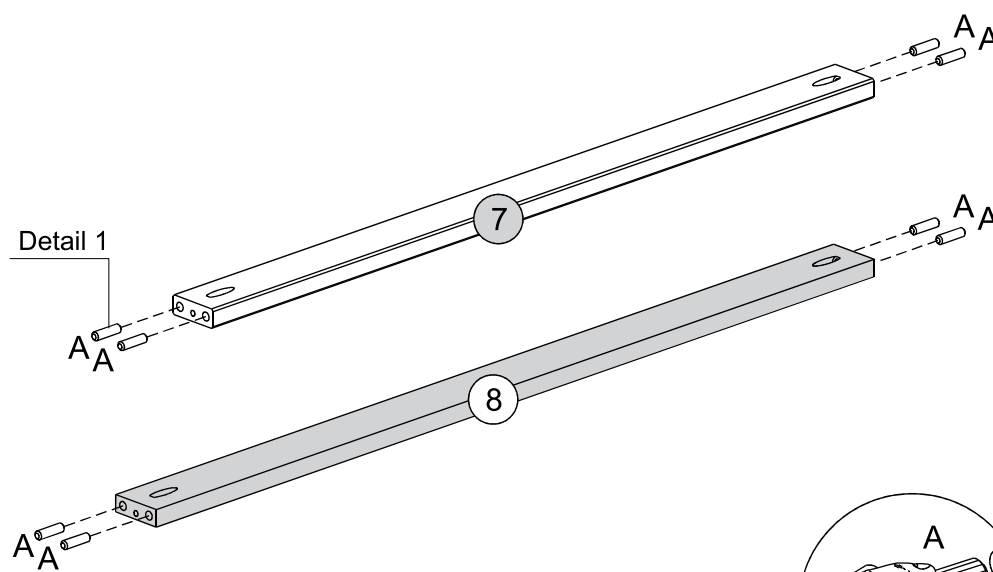
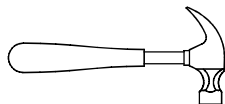
7 - BOTTOM FRONT CROSSBEAM x1

8 - BACK CROSSBEAM x1

HARDWARE REQUIRED



TOOLS REQUIRED



Detail 1

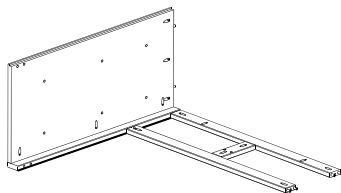
STEP 7

PARTS REQUIRED

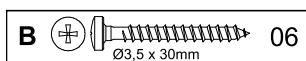
2 - LEFT SIDE PANEL x1

7 - BOTTOM FRONT CROSSBEAM x1

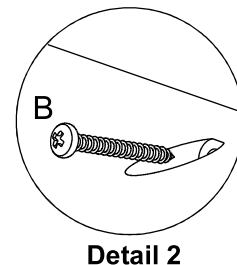
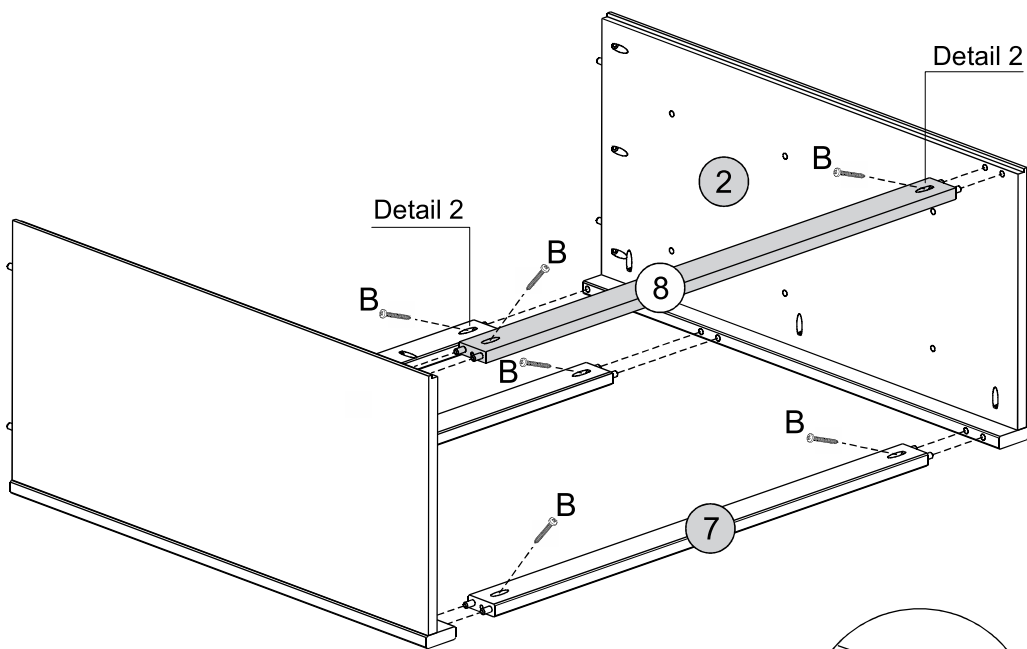
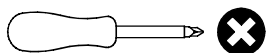
8 - BACK CROSSBEAM x1



HARDWARE REQUIRED



TOOLS REQUIRED

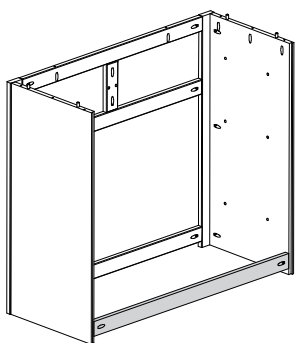


Detail 2

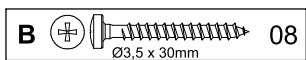
STEP 8

PARTS REQUIRED

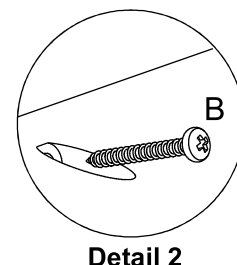
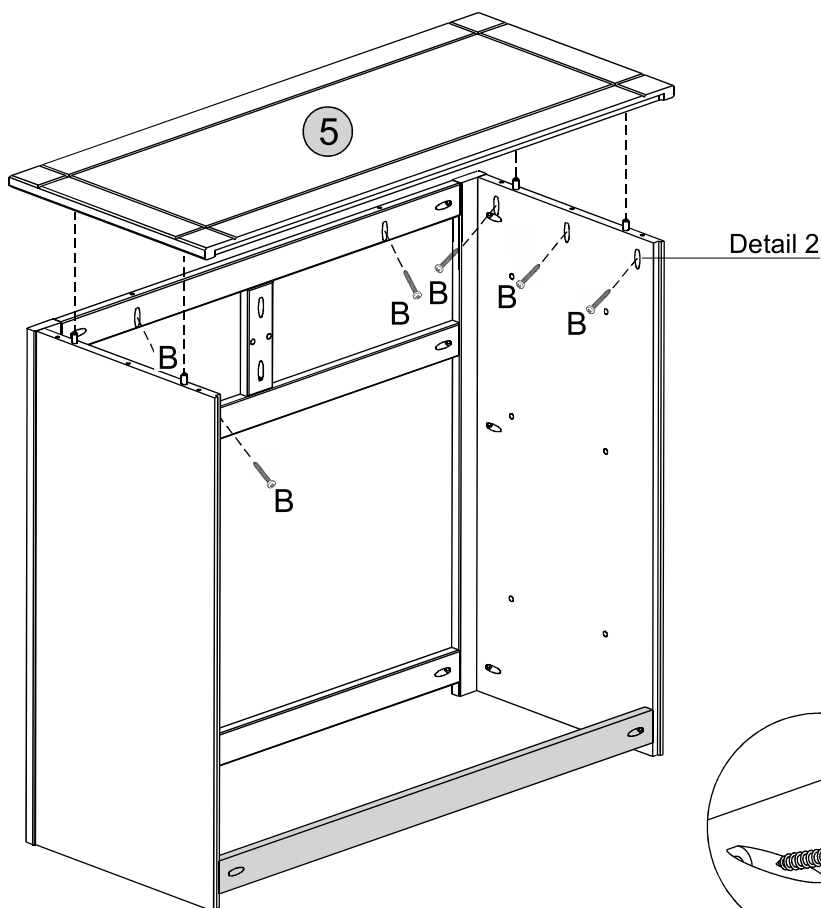
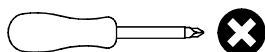
5 - TOP PANEL x1



HARDWARE REQUIRED



TOOLS REQUIRED



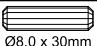
Detail 2

STEP 9

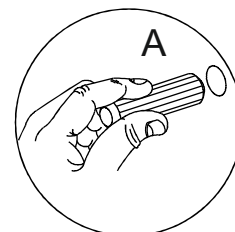
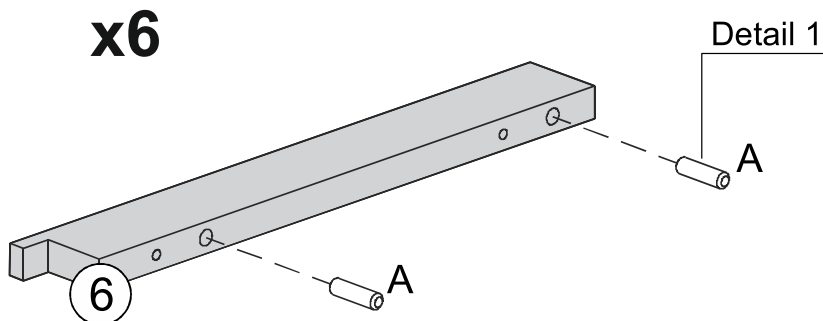
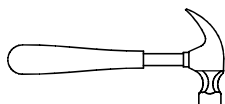
PARTS REQUIRED

6 - DRAWER RUNNER x6

HARDWARE REQUIRED

A  12
Ø8,0 x 30mm

TOOLS REQUIRED

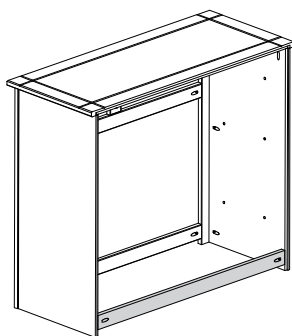


Detail 1

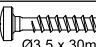
STEP 10

PARTS REQUIRED

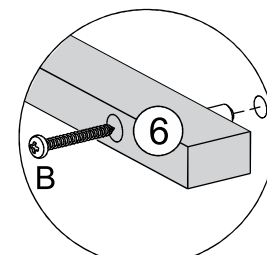
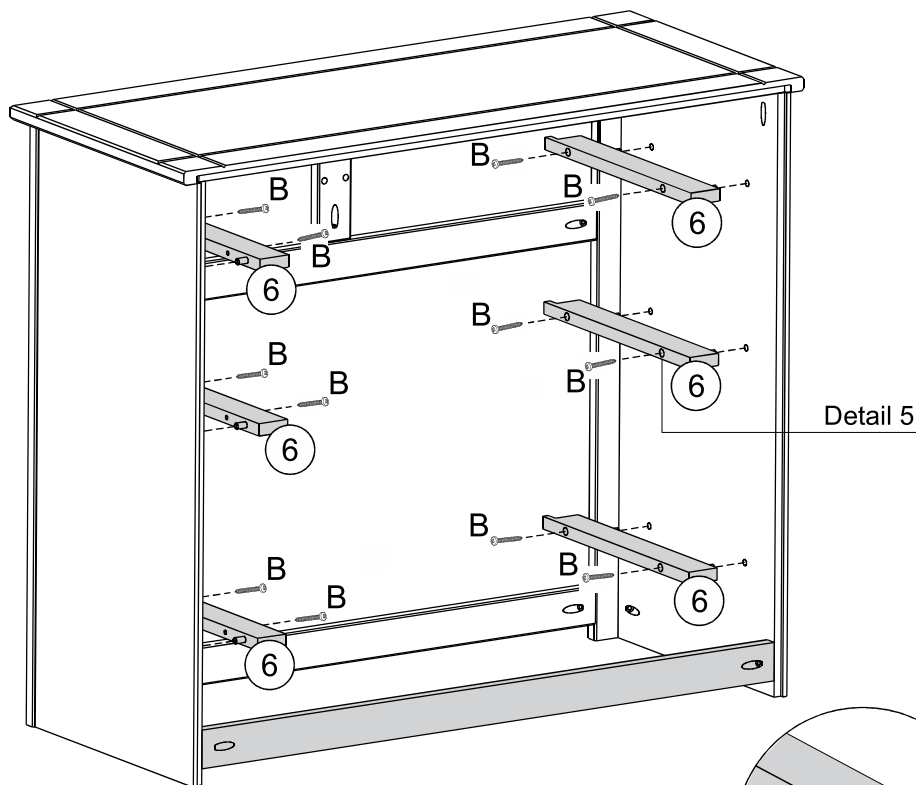
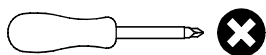
6 - DRAWER RUNNER x6



HARDWARE REQUIRED

B  12
Ø3,5 x 30mm

TOOLS REQUIRED



Detail 5


STEP 11

PARTS REQUIRED

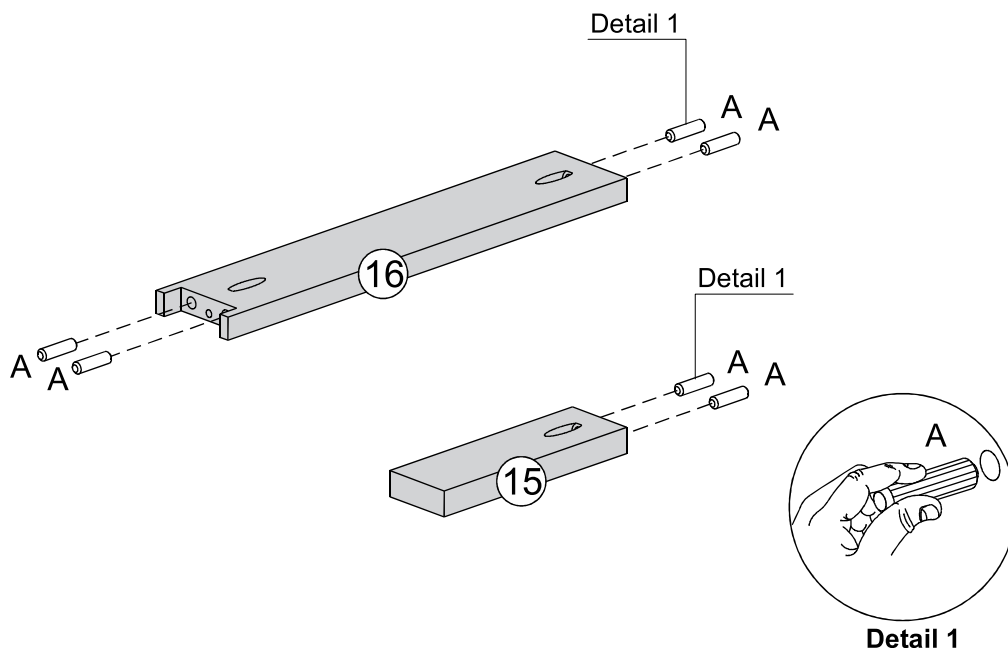
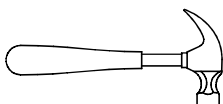
15 - DRAWER RUNNER UPRIGHT x1

16 - CENTRE RUNNER UPRIGHT x1

HARDWARE REQUIRED

A  06
Ø8,0 x 30mm

TOOLS REQUIRED



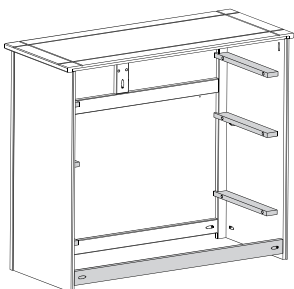
STEP 12

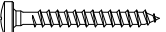
PARTS REQUIRED

15 - DRAWER RUNNER UPRIGHT x1

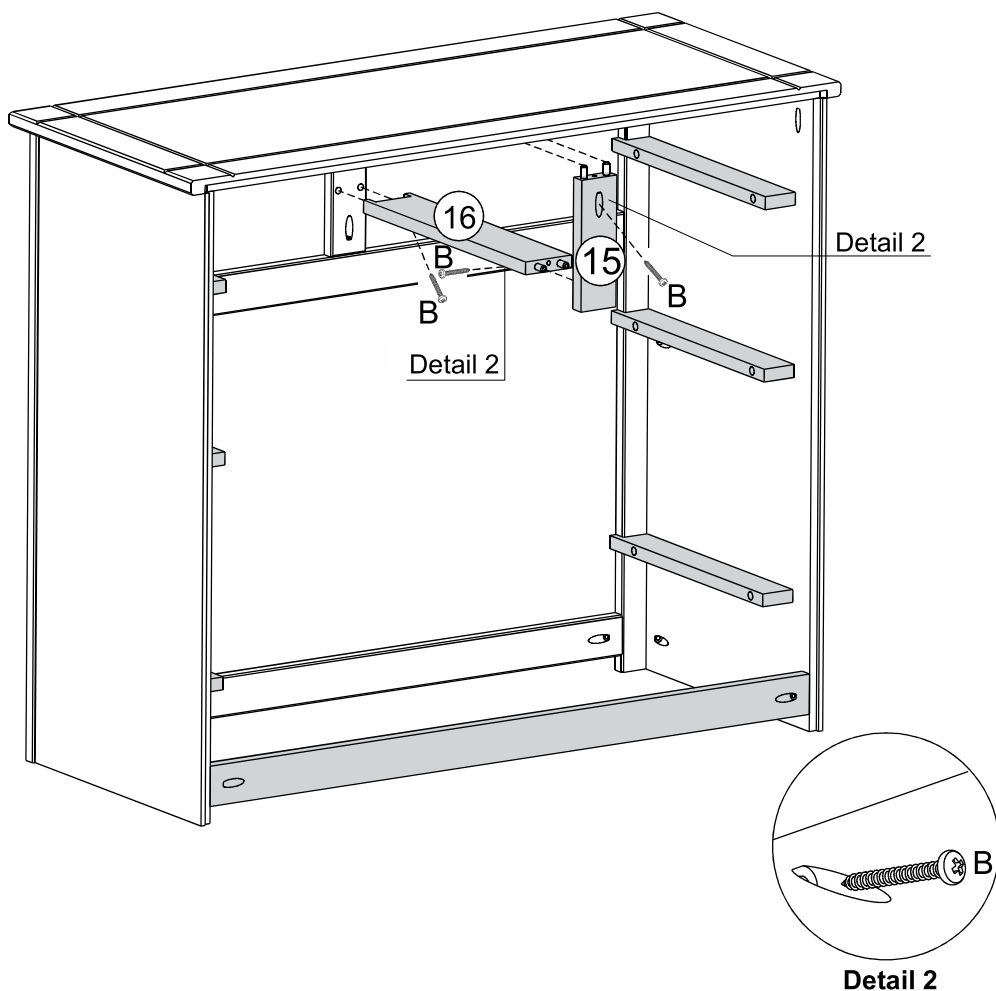
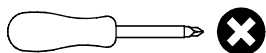
16 - CENTRE RUNNER UPRIGHT x1

HARDWARE REQUIRED



B  03
Ø3,5 x 30mm

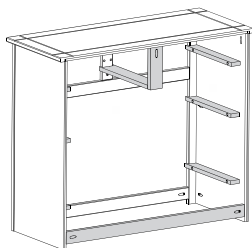
TOOLS REQUIRED



STEP 13

PARTS REQUIRED

9 - BACK PANEL x2



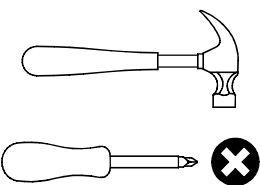
HARDWARE REQUIRED

F Nail 10x10 18

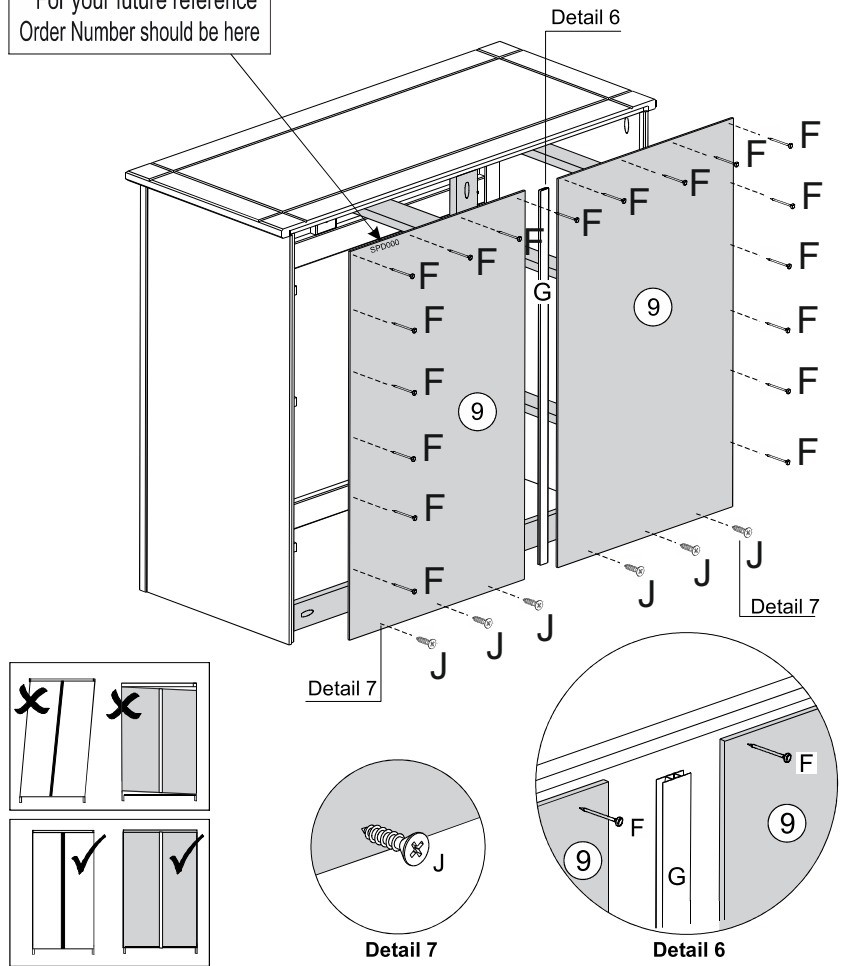
G 01

J Ø3.5 x 14mm 06

TOOLS REQUIRED



* For your future reference Order Number should be here



STEP 14

PARTS REQUIRED

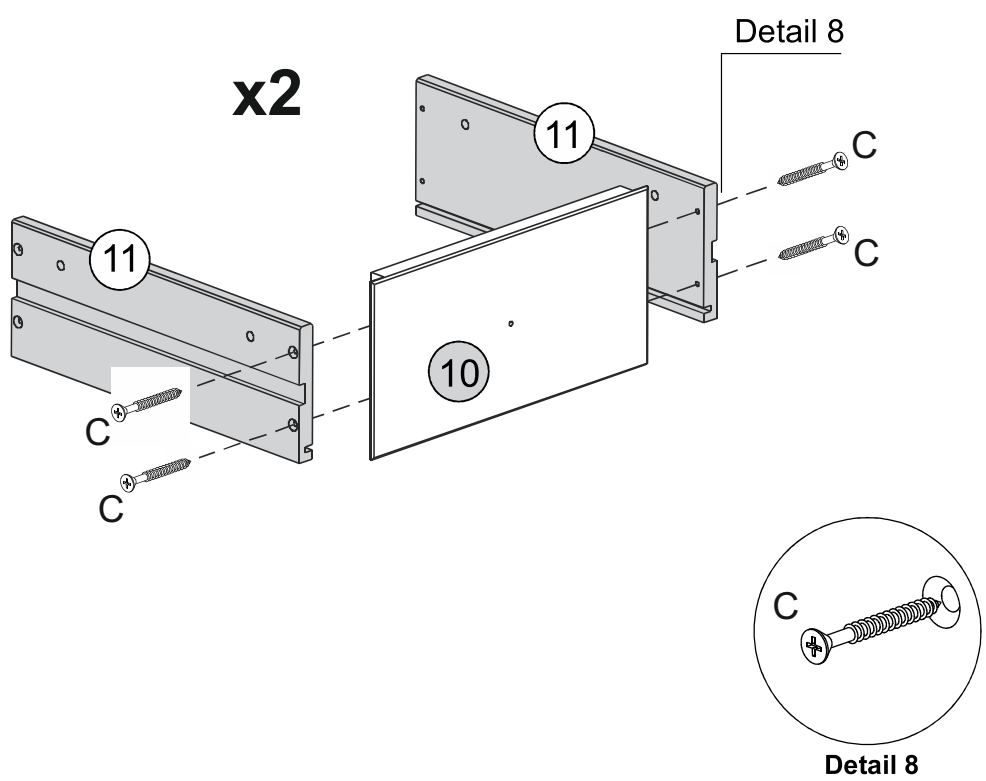
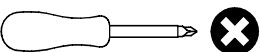
10 - SMALL DRAWER FRONT x2

11 - SMALL/MIDDLE DRAWER SIDE x4

HARDWARE REQUIRED

C Ø3.0 x 30mm 08

TOOLS REQUIRED

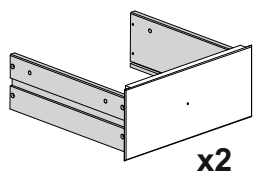


STEP 15


PARTS REQUIRED

12 - SMALL DRAWER BOTTOM x2

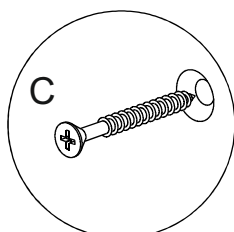
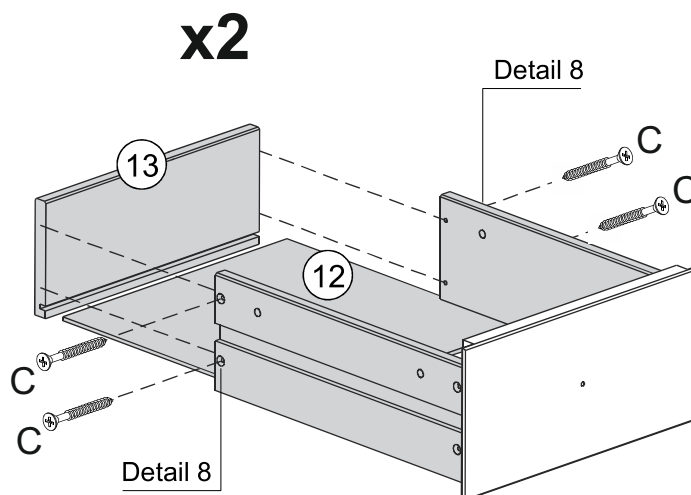
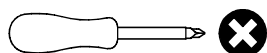
13 - SMALL DRAWER BACK x2



HARDWARE REQUIRED

C  08
Ø3,0 x 30mm

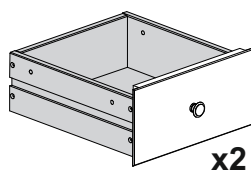
TOOLS REQUIRED



Detail 8

STEP 16

PARTS REQUIRED

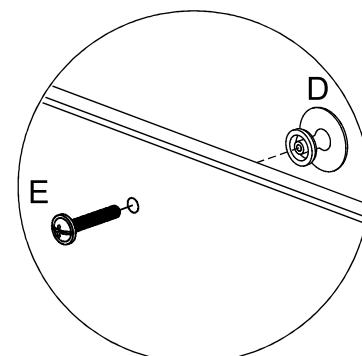
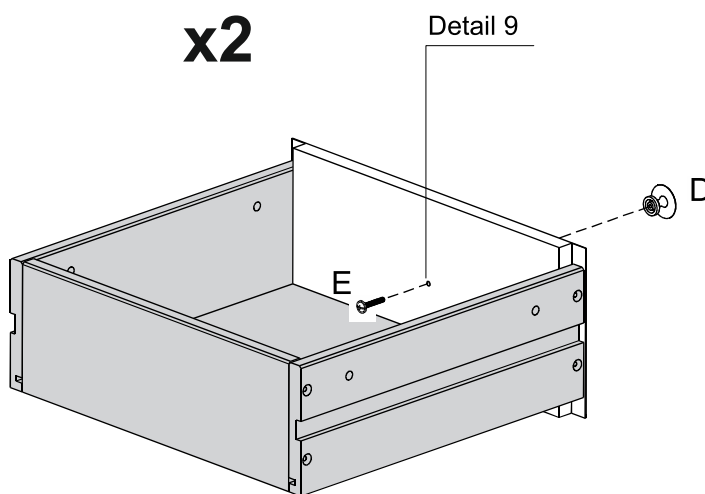
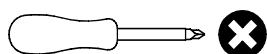


HARDWARE REQUIRED

D  02

E  02
M4 x 25mm

TOOLS REQUIRED



Detail 9


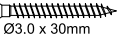
STEP 17

PARTS REQUIRED

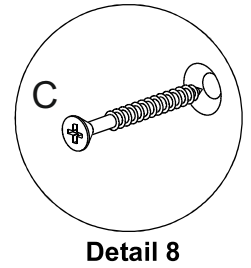
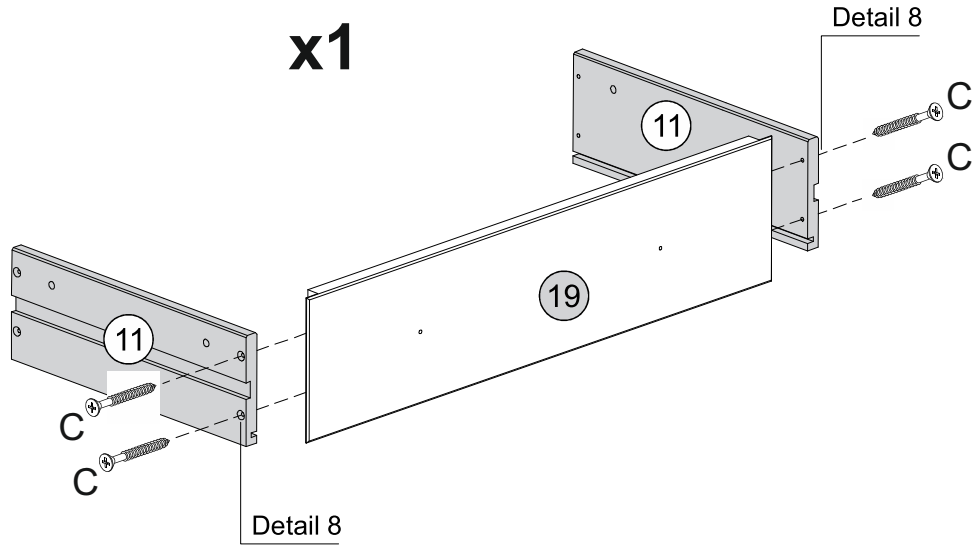
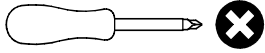
11 - SMALL/MIDDLE DRAWER SIDE x2

19 - MIDDLE DRAWER FRONT x1

HARDWARE REQUIRED

C   04
Ø3,0 x 30mm

TOOLS REQUIRED

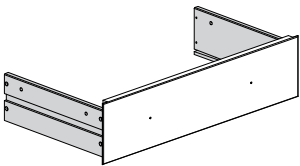


STEP 18

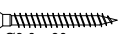
PARTS REQUIRED

20 - DRAWER BOTTOM x1

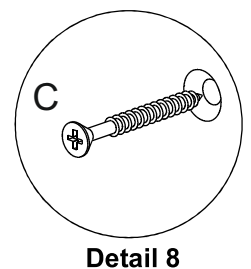
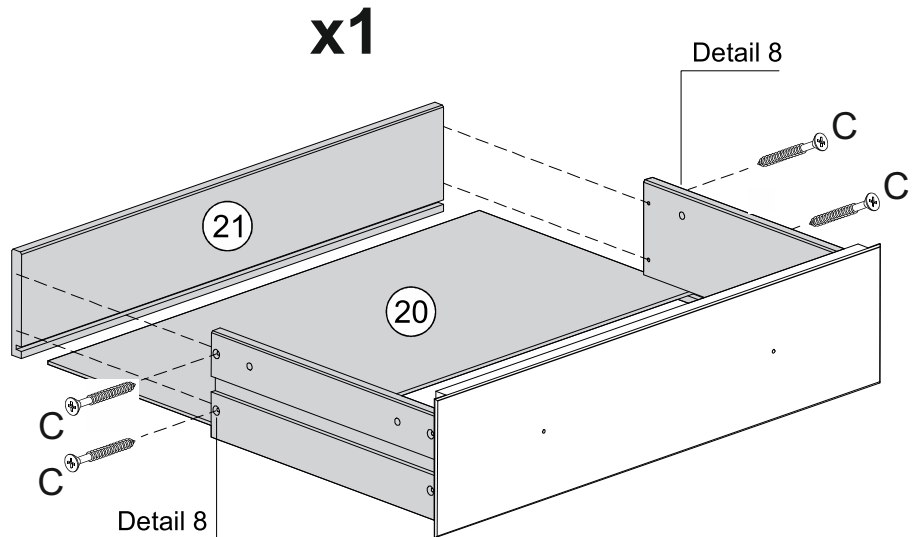
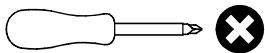
21 - MIDDLE DRAWER BACK x1



HARDWARE REQUIRED

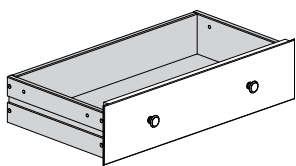
C   04
Ø3,0 x 30mm

TOOLS REQUIRED



STEP 19

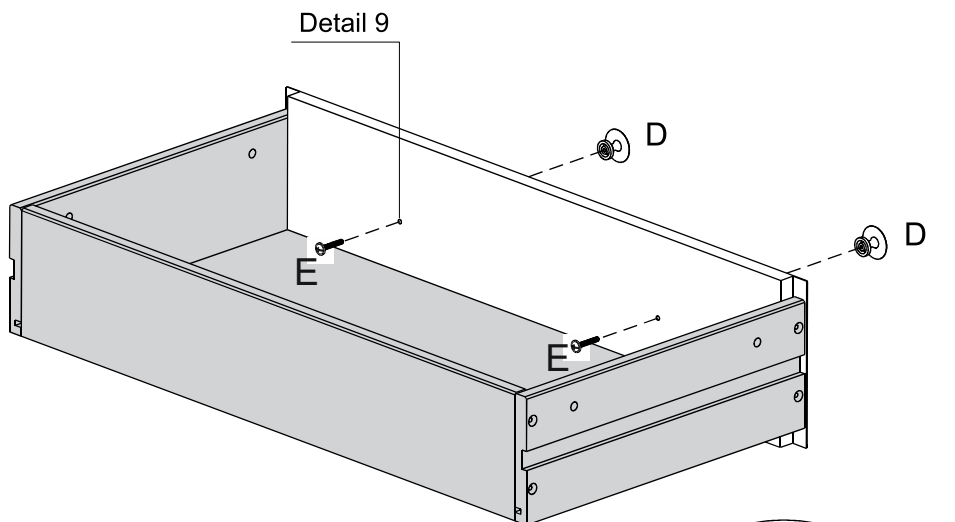
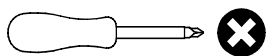
PARTS REQUIRED



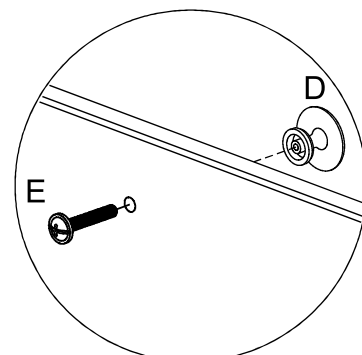
HARDWARE REQUIRED



TOOLS REQUIRED



x1



Detail 9

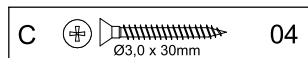
STEP 20

PARTS REQUIRED

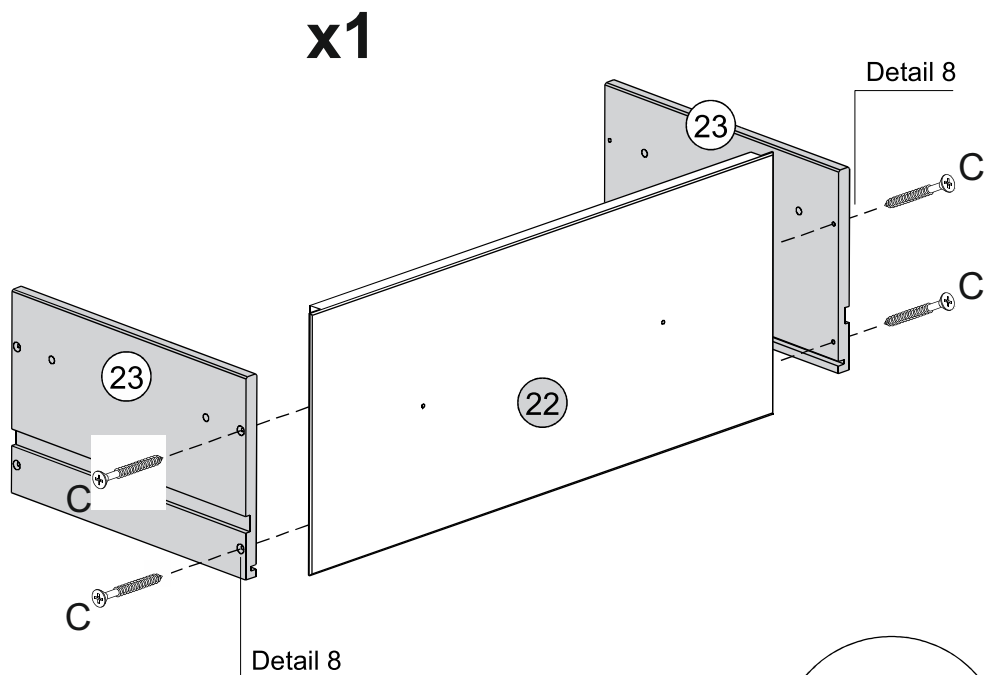
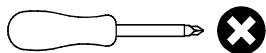
22 -LARGE DRAWER FRONT x1

23 -LARGE DRAWER SIDE x2

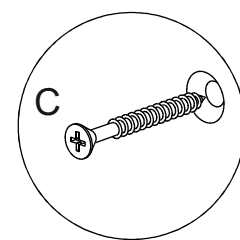
HARDWARE REQUIRED



TOOLS REQUIRED



x1



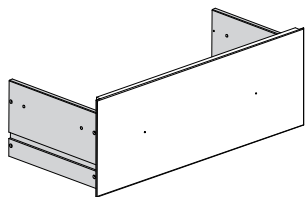
Detail 8

STEP 21


PARTS REQUIRED

20 - DRAWER BOTTOM x1

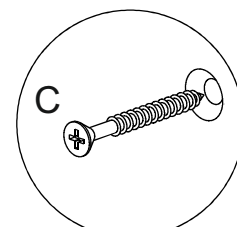
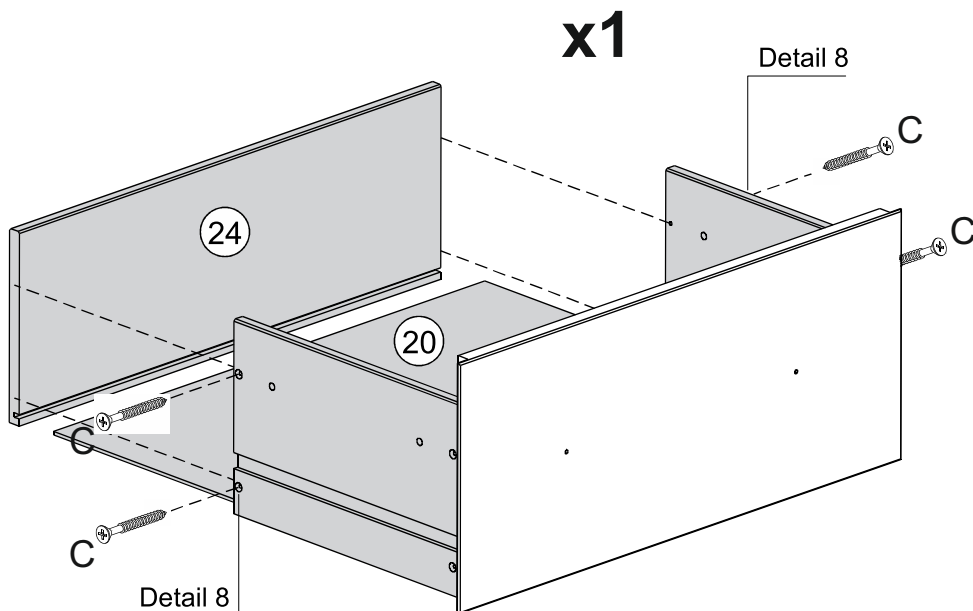
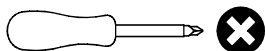
24 - LARGE DRAWER BACK x1



HARDWARE REQUIRED

C  Ø3,0 x 30mm 04

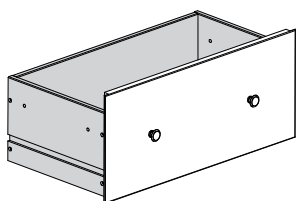
TOOLS REQUIRED



Detail 8

STEP 22

PARTS REQUIRED

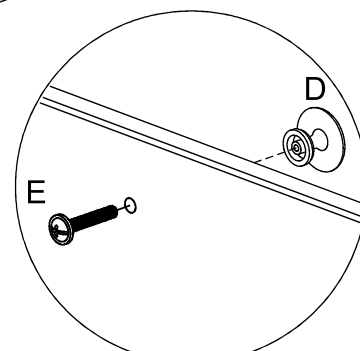
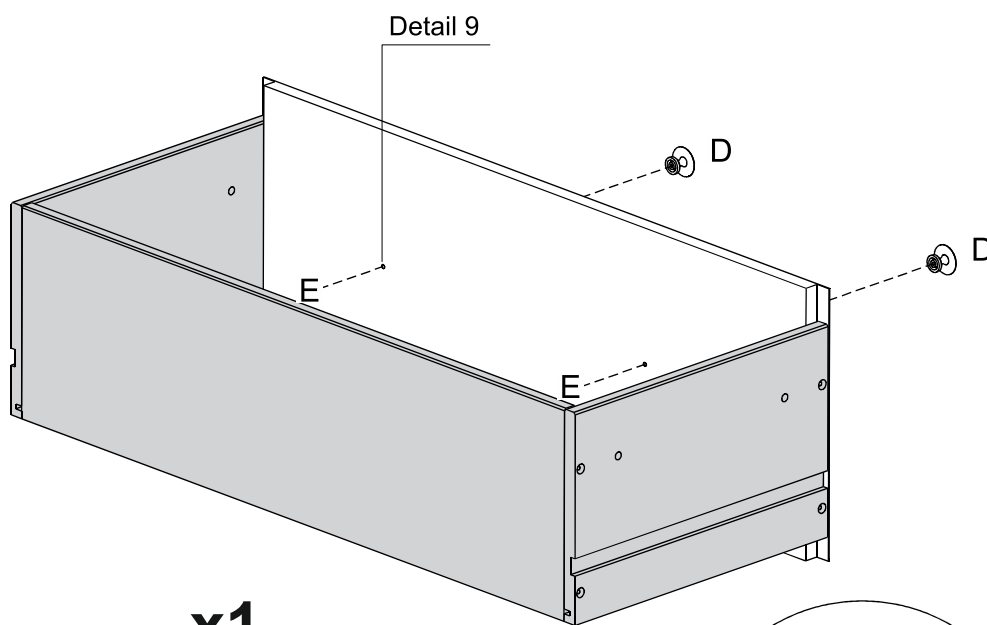
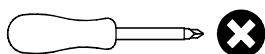


HARDWARE REQUIRED

D  02

E  M4 x 25mm 02

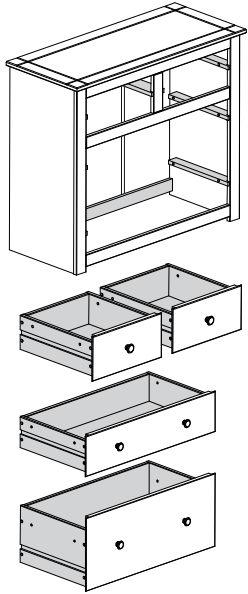
TOOLS REQUIRED



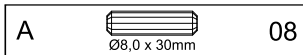
Detail 9

STEP 23

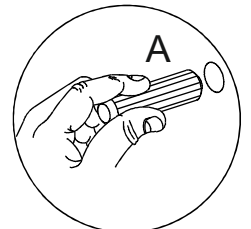
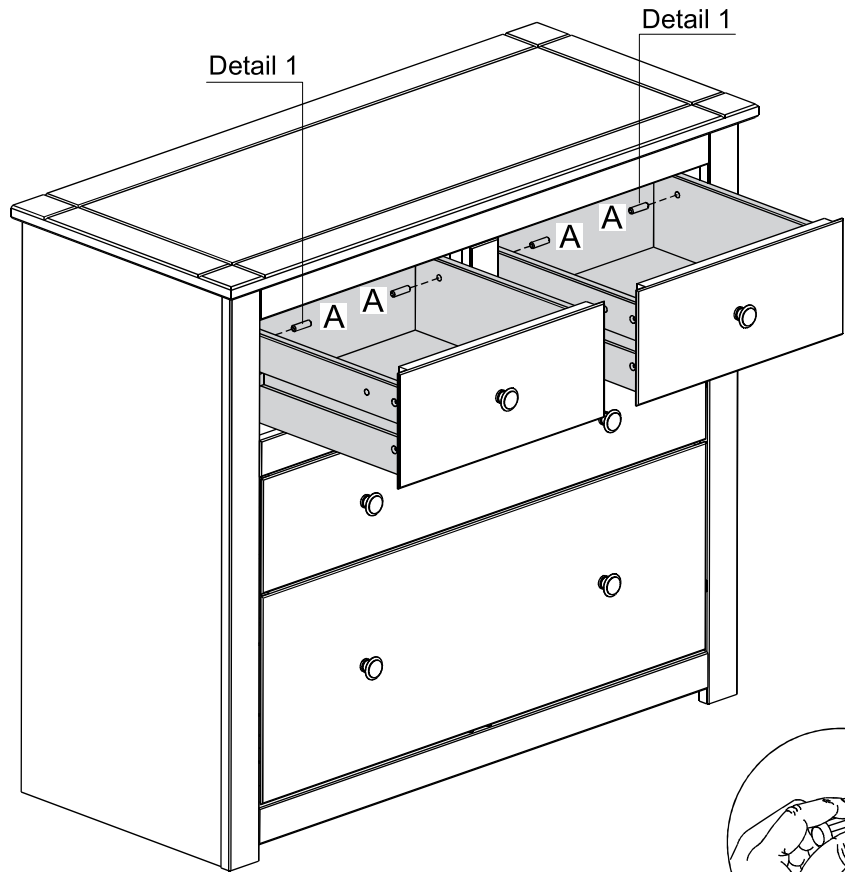
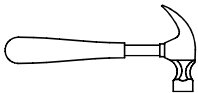
PARTS REQUIRED



HARDWARE REQUIRED



TOOLS REQUIRED

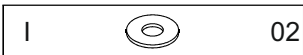
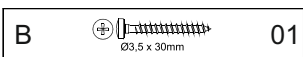


Detail 1

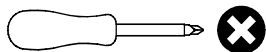
STEP 24

PARTS REQUIRED

HARDWARE REQUIRED



TOOLS REQUIRED



WARNING

Serious or fatal injuries can occur from furniture tipping over. To prevent the furniture from tipping over we recommend that it is permanently fixed to the wall.

Wall fixings are not supplied with this product as different wall materials require different types of fixing devices. Please make sure you use fixings suitable for the walls in your home.

