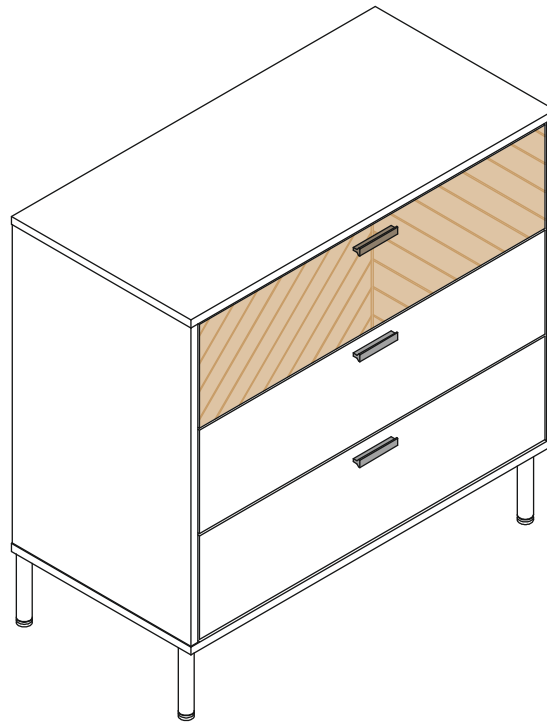


# LEON 3 DRAWER CHEST ASSEMBLY INSTRUCTIONS



## FOR DOMESTIC USE ONLY IMPORTANT

### PLEASE READ BEFORE YOU CONTINUE FURTHER

THE PRODUCT YOU HAVE PURCHASED WILL GIVE YOU MANY YEARS OF SERVICE IF YOU FOLLOW THE GUIDELINES FOR ITS SAFE ASSEMBLY AND PERIODIC MAINTENANCE AND CLEANING.

ASSEMBLE ON A SOFT CLEAN SURFACE.

DO NOT USE ANY TOOLS OTHER THAN THOSE SHOWN.

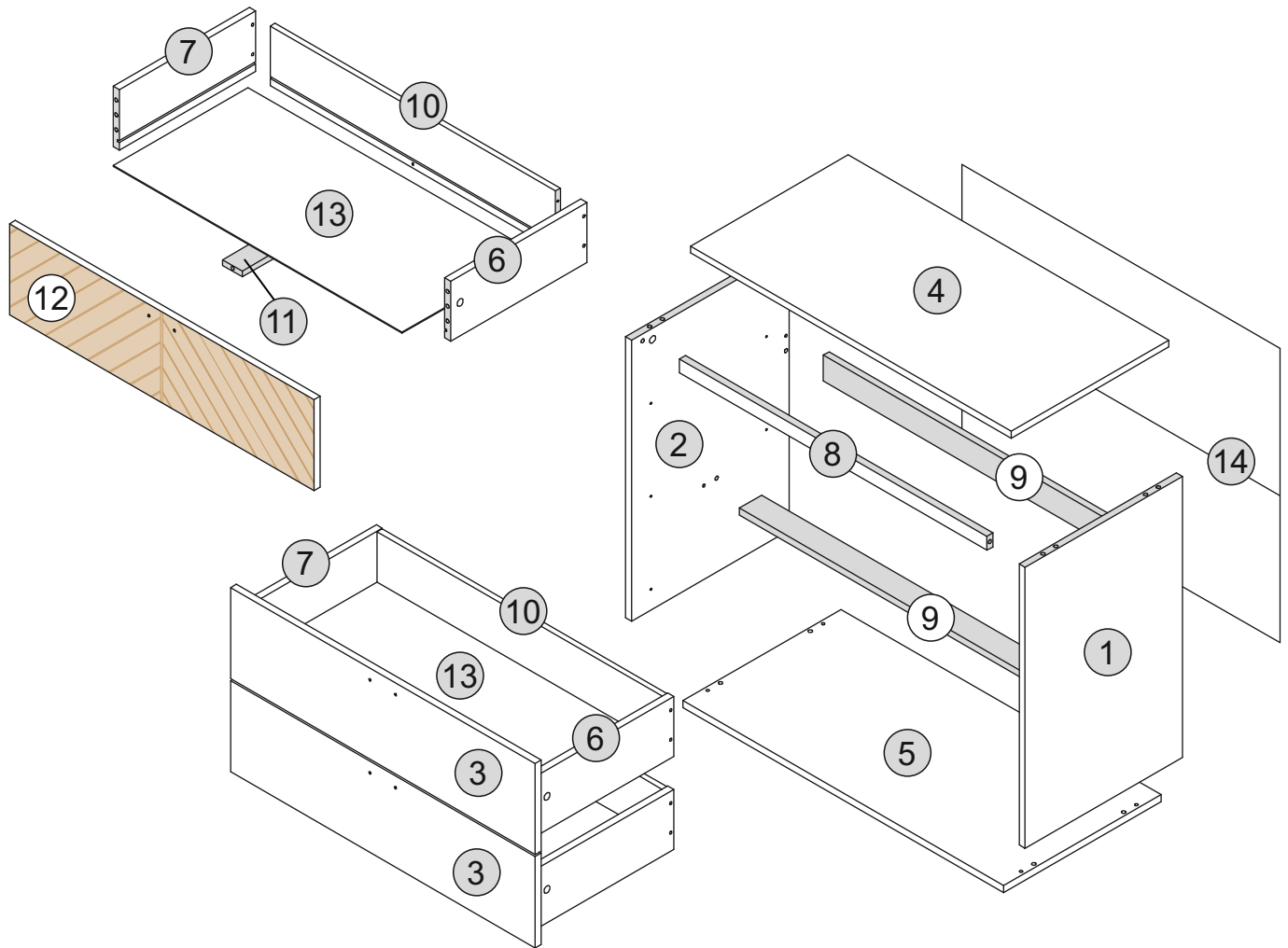
ANY SPANNERS OR ALLEN KEYS REQUIRED ARE INCLUDED WITH THE FITTING KIT.

DO NOT FOR ANY REASON USE A POWER TOOL TO ASSEMBLE THIS PRODUCT. ITS USE WILL INVALIDATE ANY CLAIM YOU MAY HAVE AND COULD MAKE THIS PRODUCT UNSAFE.

DEPENDING ON THE AMOUNT OF USE THIS PRODUCT RECEIVES, IT MAY BE NECESSARY TO TIGHTEN UP THE FIXINGS FROM TIME TO TIME. THIS IS COMPLETELY NORMAL FOR ANY FLAT PACK FURNITURE. DO NOT OVERTIGHTEN FIXINGS.

FOR CLEANING, YOU MAY USE A DAMP CLOTH (NOT WET). DO NOT USE POLISH, DETERGENT OR CHEMICAL CLEANERS.

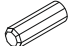













THIS SURFACE OF THIS ITEM IS NOT HEAT RESISTANT. ALWAYS USE A PLACE MAT UNDER HOT OR COLD ITEMS TO PREVENT MARKING.



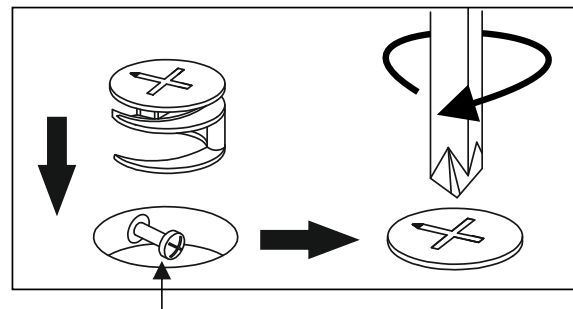
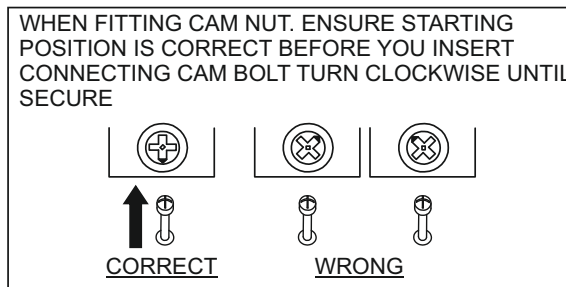
## PART LIST

Part Number	Part Code	Part Description	Quantity	Carton
1	S100-102-177-ZF1-01	Right Side Panel	1	1/1
2	S100-102-177-ZF1-02	Left Side Panel	1	1/1
3	S100-102-177-ZF1-03	Drawer Front	2	1/1
4	S100-102-177-ZF1-04	Top Panel	1	1/1
5	S100-102-177-ZF1-05	Bottom Panel	1	1/1
6	S100-102-177-ZF1-06	Right Drawer Side Panel	3	1/1
7	S100-102-177-ZF1-07	Left Drawer Side Panel	3	1/1
8	S100-102-177-ZF1-08	Top Support Panel	1	1/1
9	S100-102-177-ZF1-09	Support Panel	2	1/1
10	S100-102-177-ZF1-10	Drawer Back Panel	3	1/1
11	S100-102-177-ZF1-11	Drawer Support	3	1/1
12	S100-102-177-ZF1-12	Top Drawer Front	1	1/1
13	S100-102-177-ZF1-13	Drawer Base	3	1/1
14	S100-102-177-ZF1-14	Back Panel	1	1/1

# HARDWARE LIST

No	Part Name		Qty	Carton
A	M8x30mm Wooden Dowel		x26	1
B	Minifix Cam Bolt (8032t)		x17	1
C	Minifix Cam Nut (1512)		x14	1
D	M3.5x16mm Screw		x44	1
E	M4x45mm Screw		x4	1
F	M4x38mm Screw		x15	1
G	20mm Handle Screw		x6	1
H	Handle (64mm)		x3	1
I	14" Drawer Slide (VKT 0.9 - Black)		x3	1
J	Nail		x30	1
K	PVC L-Bracket		x1	1
L	Iron Leg (150mm) - Black		x4	1
M	Wall Fixing (4x20mm=1pc)		x1	1
N	Minifix Cam Nut (1510)		x3	1

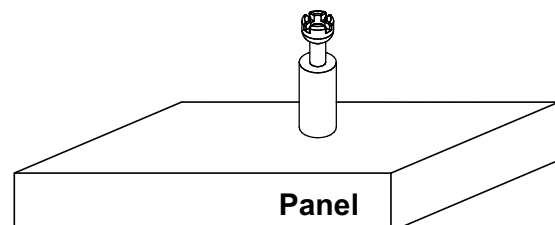
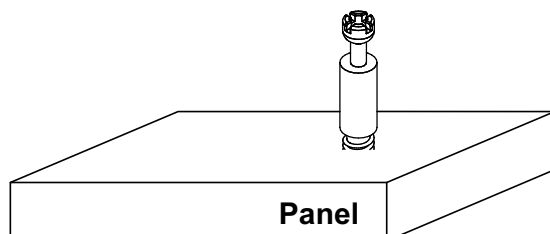
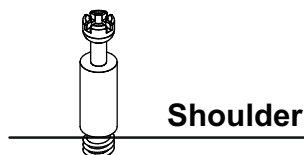
## TIPS FOR FITTINGS CAM-LOCKS



**Cam bolt head needs to be in centre**

### CAMBOLT

**Tighten until shoulder in flush with panel. Do not overtighten or undertighten (see example below)**



# STEP 1

## PARTS REQUIRED

1 - RIGHT SIDE PANEL x1

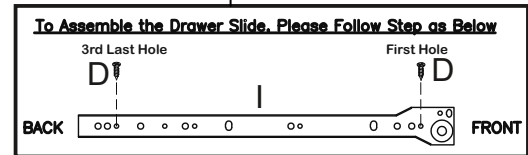
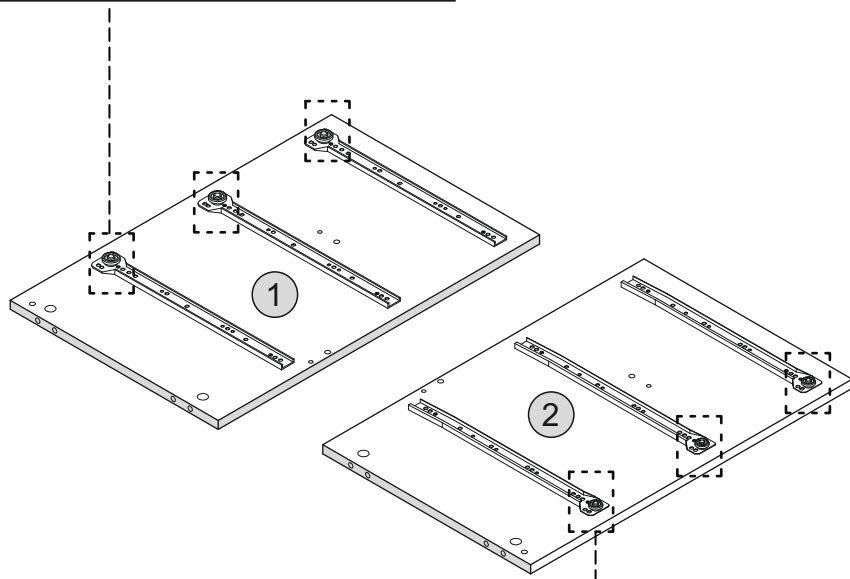
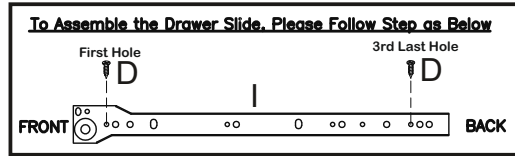
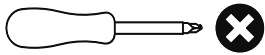
2 - LEFT SIDE PANEL x1

## HARDWARE REQUIRED

D  12  
3.5x16mm

I  03

## TOOLS REQUIRED



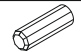
# STEP 2

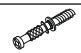
## PARTS REQUIRED

1 - RIGHT SIDE PANEL x1

2 - LEFT SIDE PANEL x1

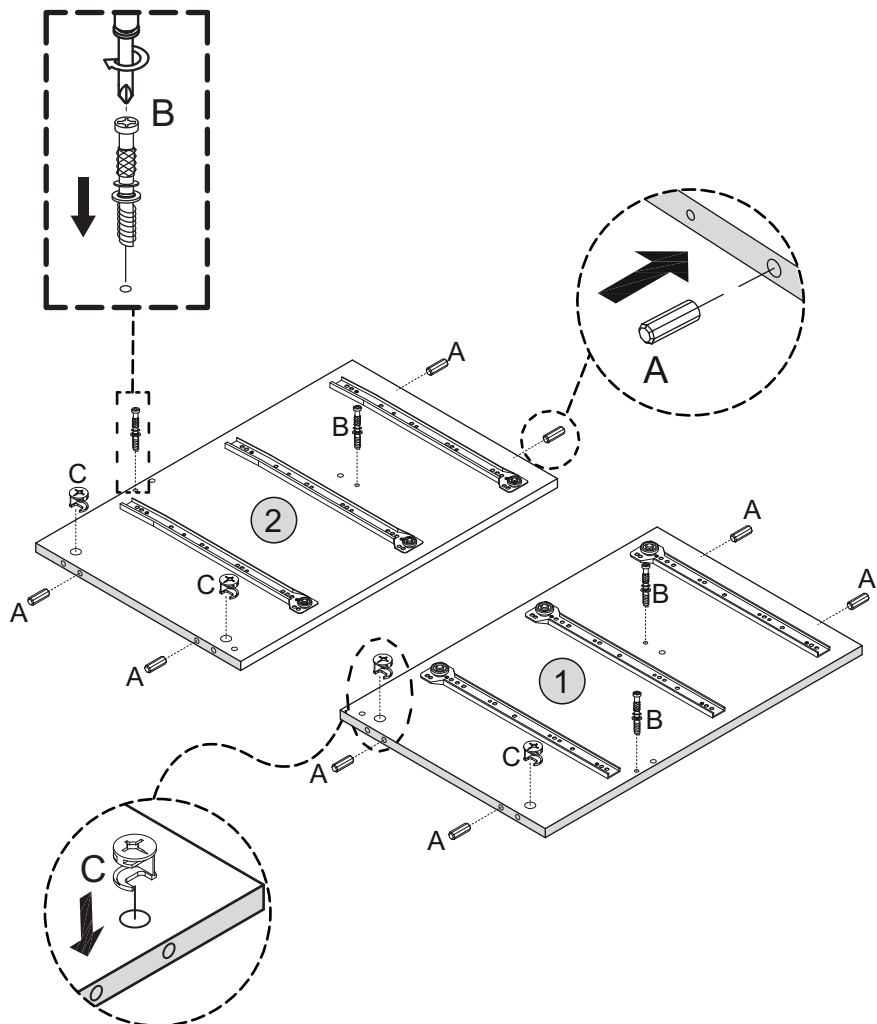
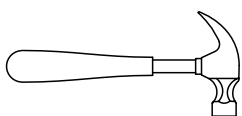
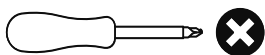
## HARDWARE REQUIRED

A  08

B  04

C  04

## TOOLS REQUIRED

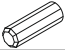



# STEP 3

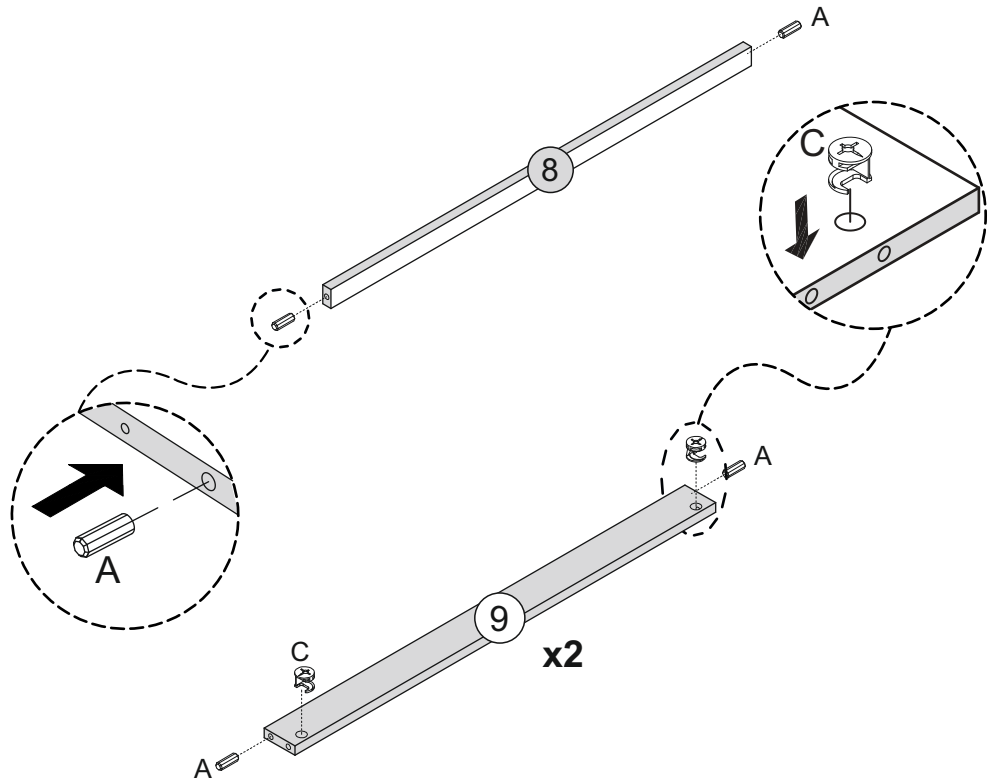
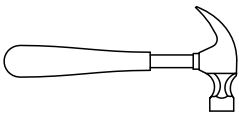
## PARTS REQUIRED

- 8 - TOP SUPPORT PANEL x1
- 9 - SUPPORT PANEL x2

## HARDWARE REQUIRED

- A  06
- C  04

## TOOLS REQUIRED






# STEP 4

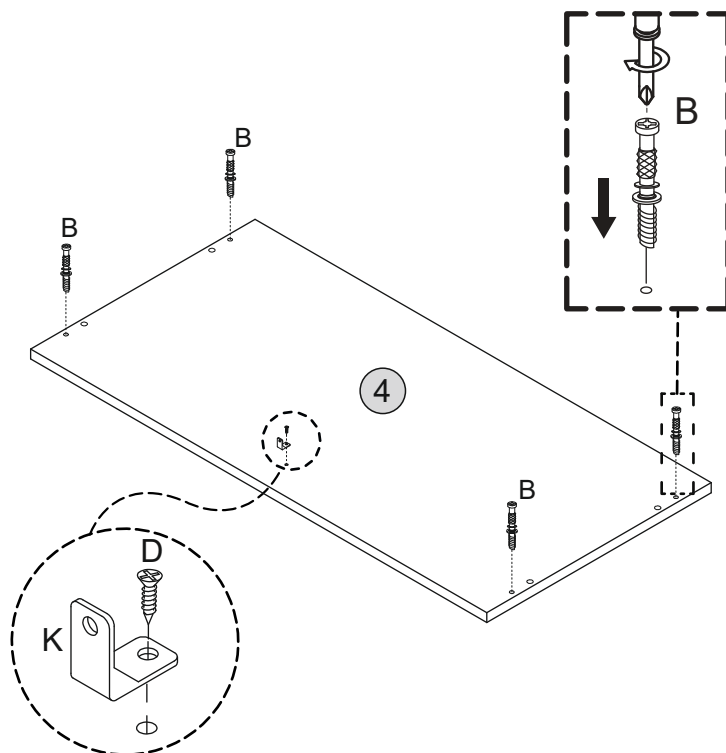
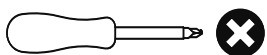
## PARTS REQUIRED

- 4 - TOP PANEL x1

## HARDWARE REQUIRED

- B  04
- D  3.5x16mm 01
- K  01

## TOOLS REQUIRED



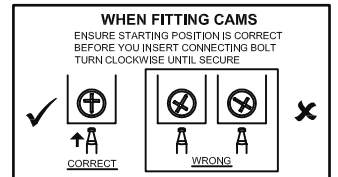
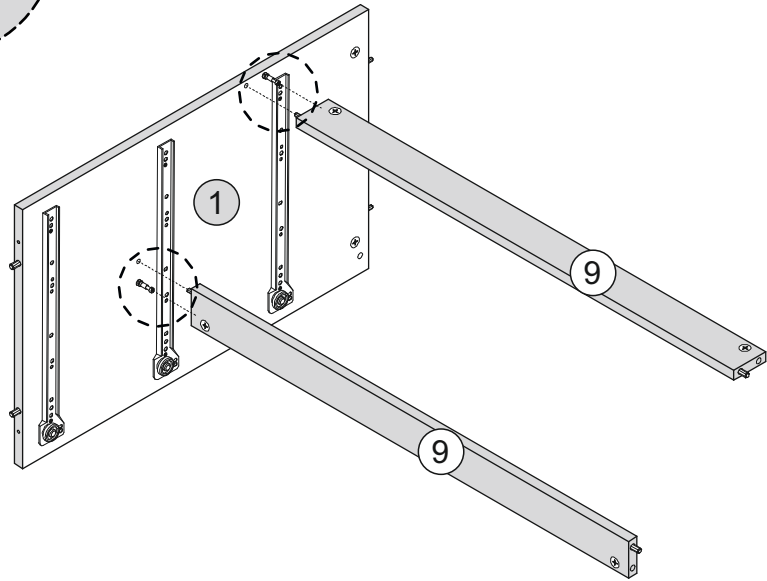
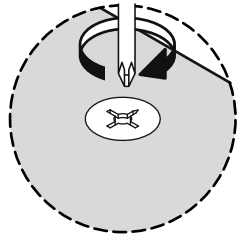
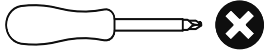
# STEP 5

## PARTS REQUIRED

- 1 - RIGHT SIDE PANEL x1
- 9 - SUPPORT PANEL x2

## HARDWARE REQUIRED

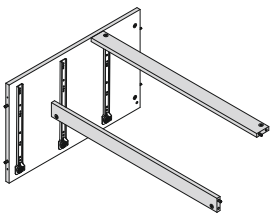
### TOOLS REQUIRED



# STEP 6

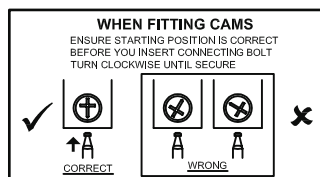
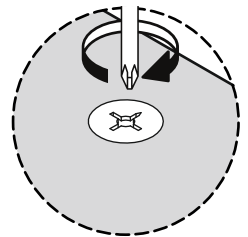
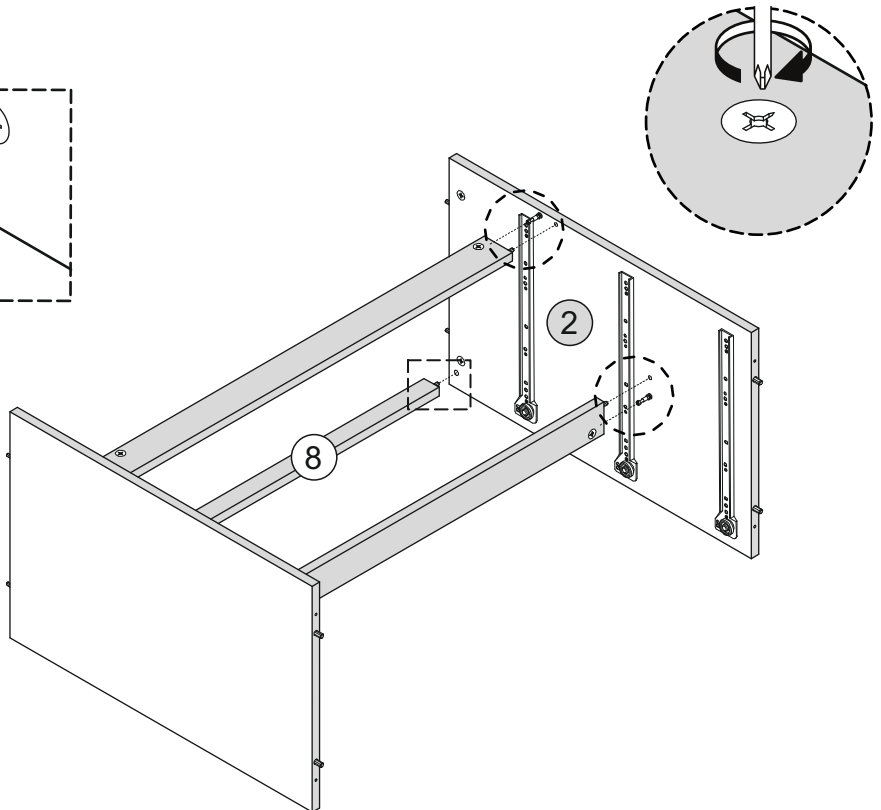
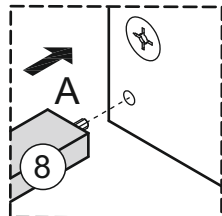
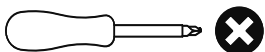
## PARTS REQUIRED

- 2 - LEFT SIDE PANEL x1
- 8 - TOP SUPPORT PANEL x1



## HARDWARE REQUIRED

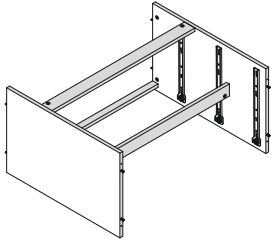
### TOOLS REQUIRED



# STEP 7

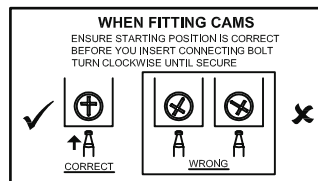
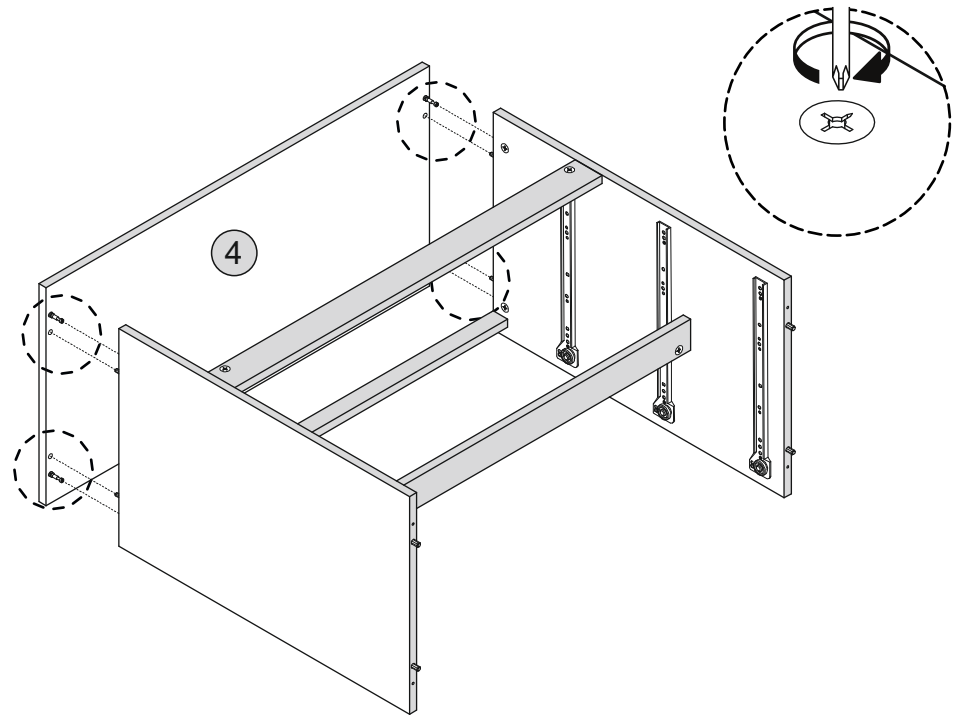
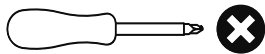
## PARTS REQUIRED

4 - TOP PANEL x1



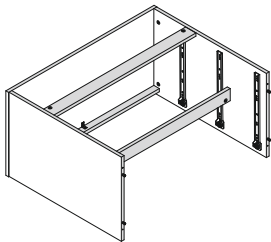
## HARDWARE REQUIRED

## TOOLS REQUIRED




# STEP 8

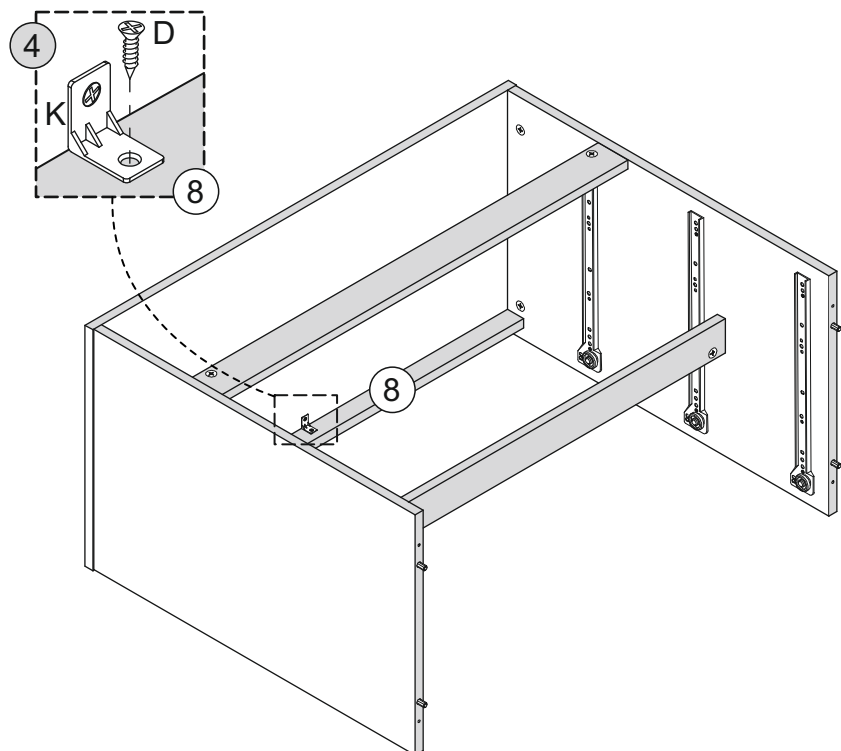
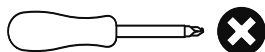
## PARTS REQUIRED



## HARDWARE REQUIRED

D  01  
3.5x16mm

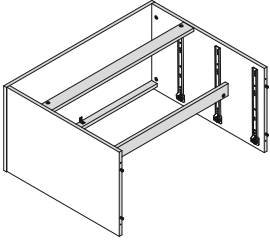
## TOOLS REQUIRED



# STEP 9

## PARTS REQUIRED

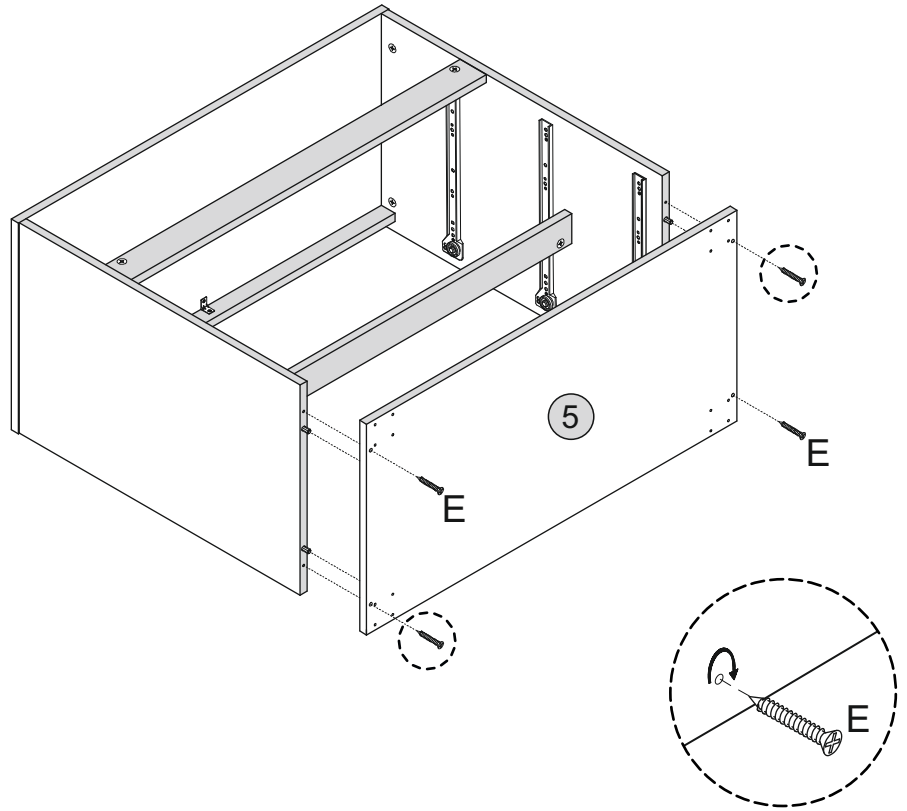
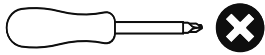
5 - BOTTOM PANEL x1



## HARDWARE REQUIRED

E  04  
4x45mm

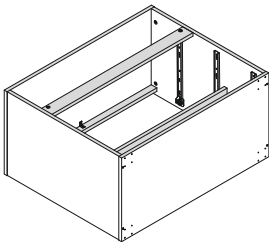
## TOOLS REQUIRED



# STEP 10

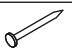
## PARTS REQUIRED


14 - BACK PANEL x1



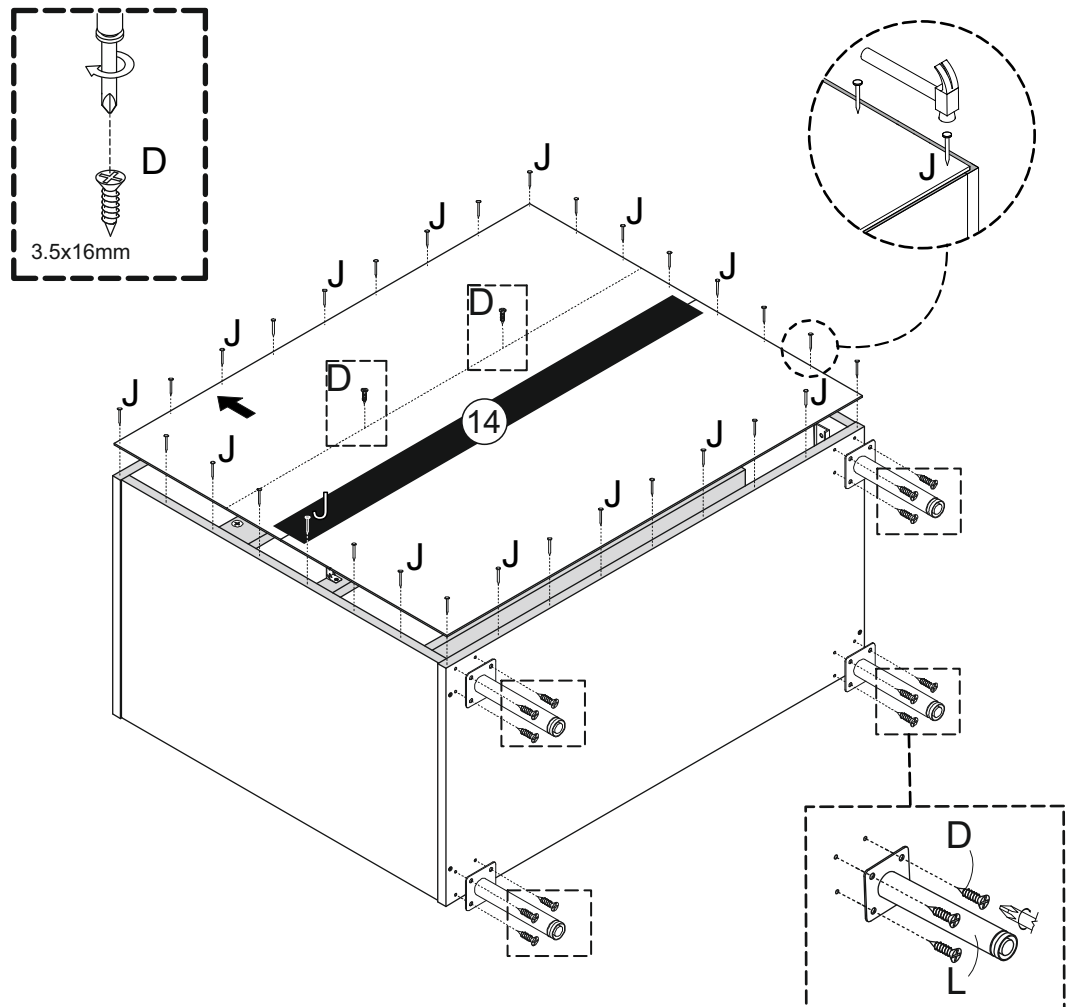
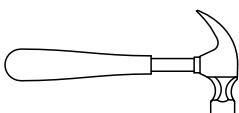
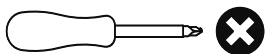
## HARDWARE REQUIRED

D  18  
3.5x16mm

J  30

L  04

## TOOLS REQUIRED



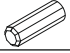
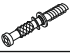




# STEP 11

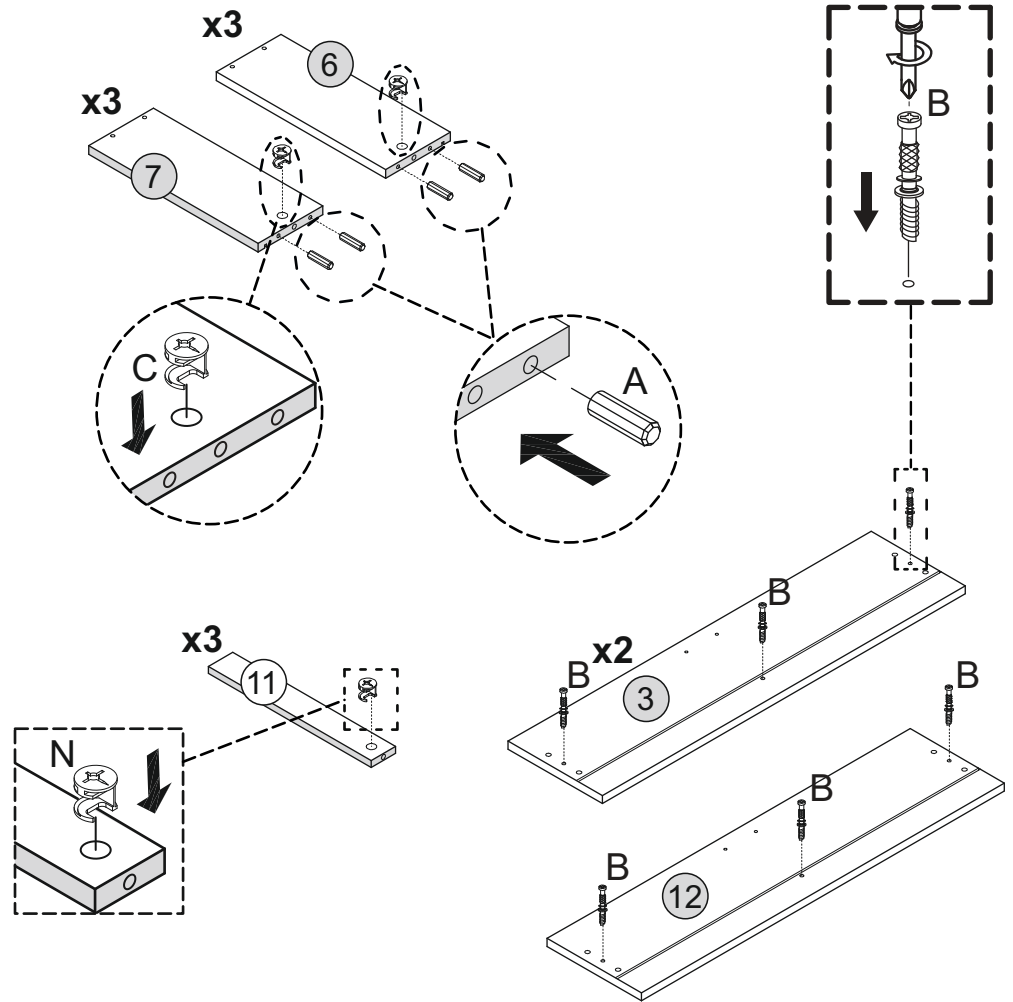
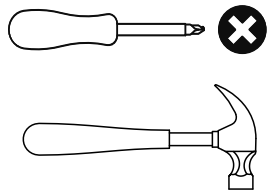
## PARTS REQUIRED

3 - DRAWER FRONT	x2
6 - RIGHT DRAWER SIDE	x3
7 - LEFT DRAWER SIDE	x3
11 - DRAWER SUPPORT	x3
12 - TOP DRAWER FRONT	x1

## HARDWARE REQUIRED

A		12
B		09
C		06
N		03

## TOOLS REQUIRED



# STEP 12

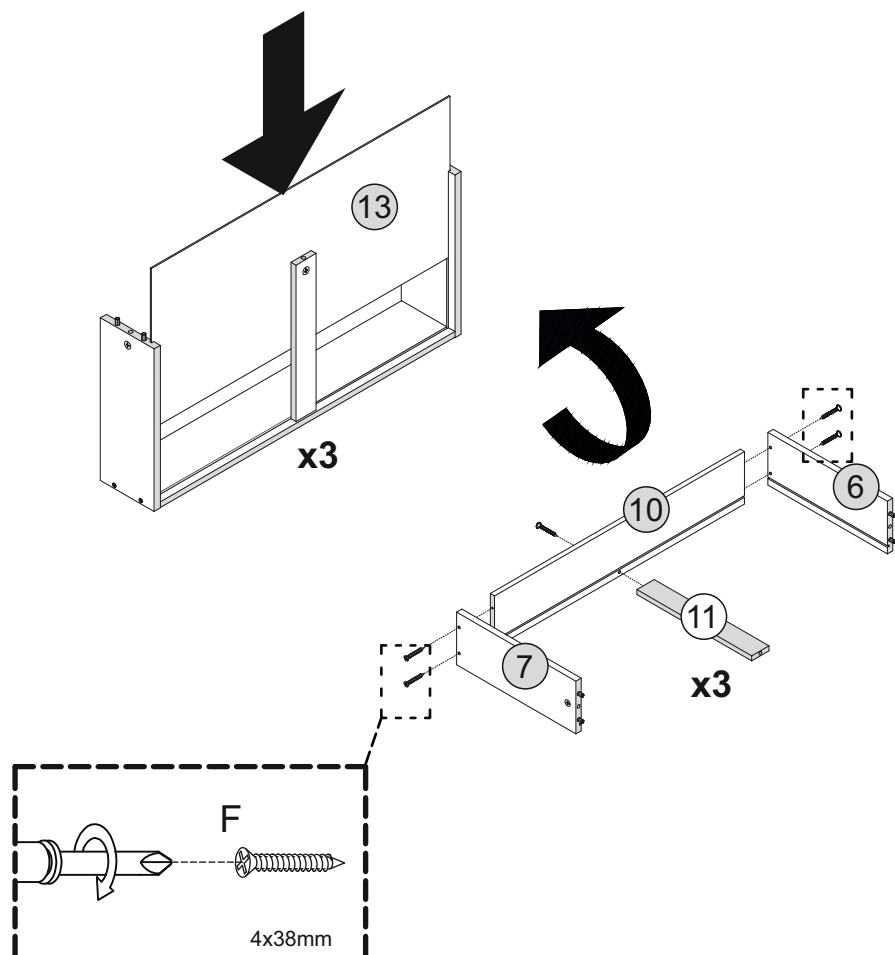
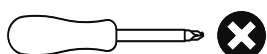
## PARTS REQUIRED

6 - RIGHT DRAWER SIDE	x3
7 - LEFT DRAWER SIDE	x3
10 - DRAWER BACK	x3
11 - DRAWER SUPPORT	x3
13 - DRAWER BASE	x3

## HARDWARE REQUIRED

F		15
---	---	----

## TOOLS REQUIRED

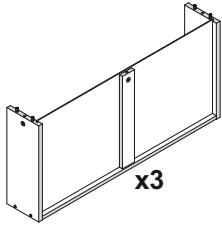


# STEP 13

**PARTS REQUIRED**

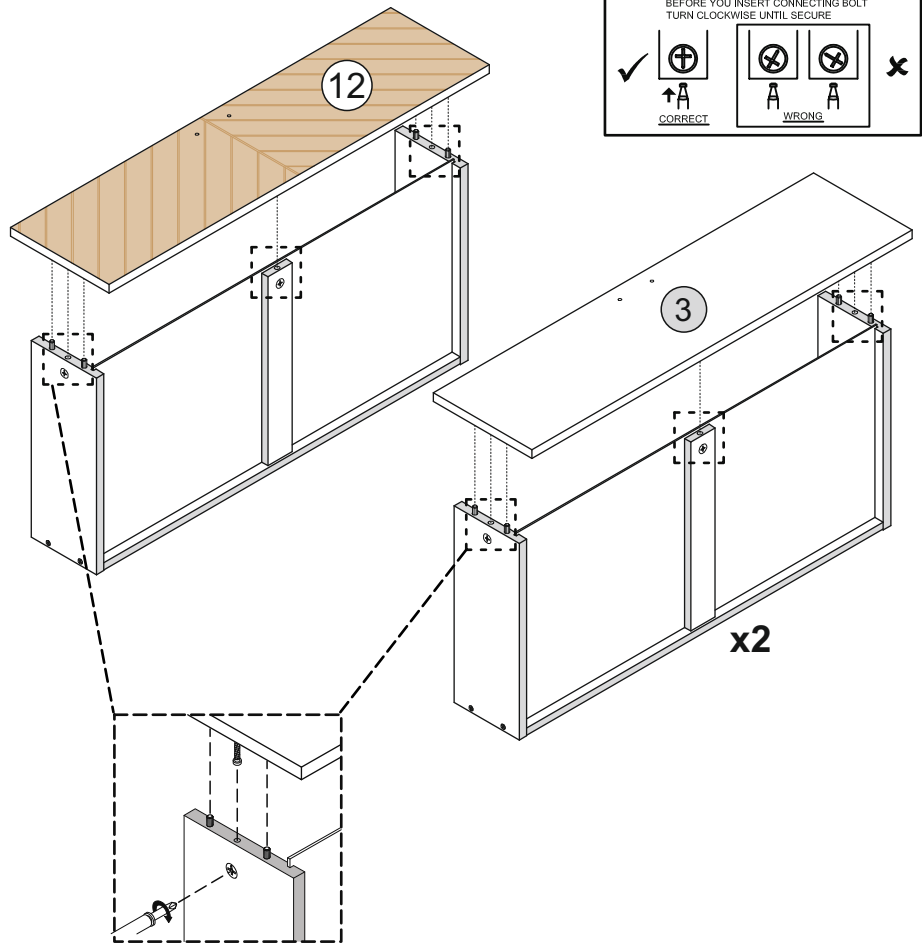
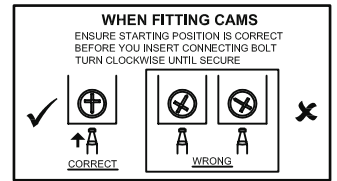
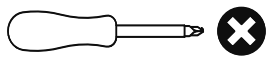
3 - DRAWER FRONT x2

12 - TOP DRAWER FRONT x1



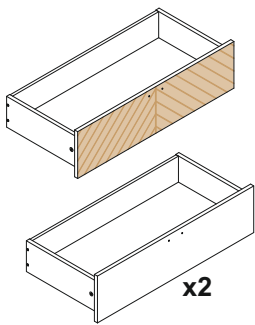
**HARDWARE REQUIRED**

**TOOLS REQUIRED**



# STEP 14

**PARTS REQUIRED**

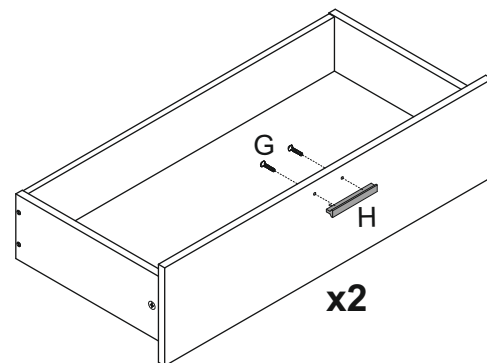
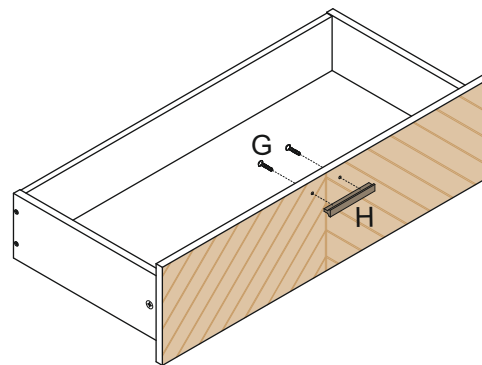
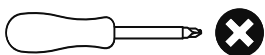


**HARDWARE REQUIRED**

G 06

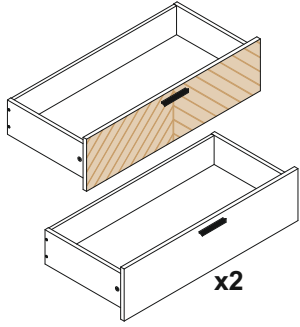
H 03

**TOOLS REQUIRED**

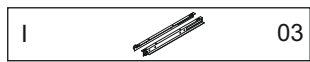
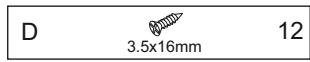


# STEP 15

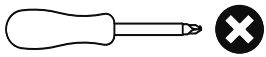
PARTS REQUIRED



HARDWARE REQUIRED

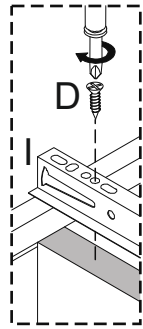


TOOLS REQUIRED

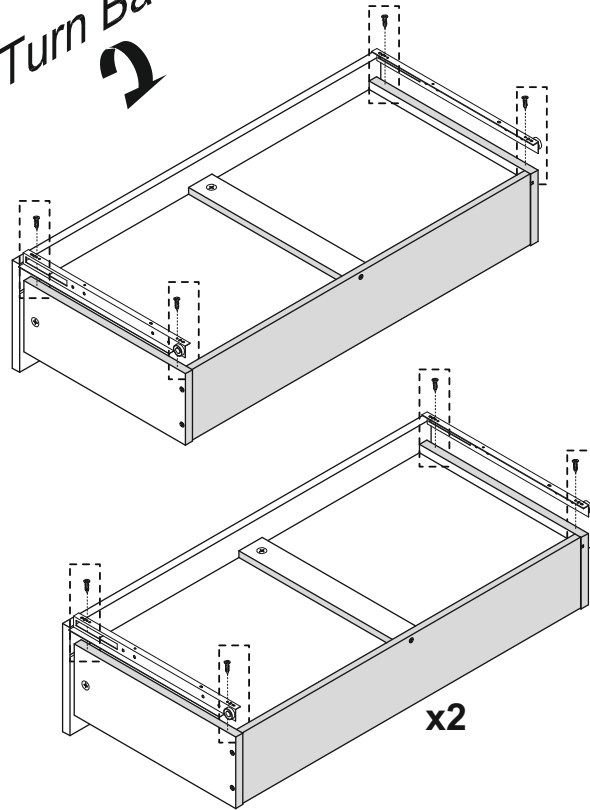
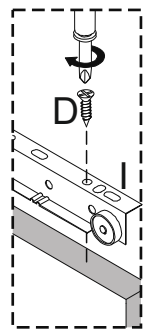


Turn Back 

**FRONT**

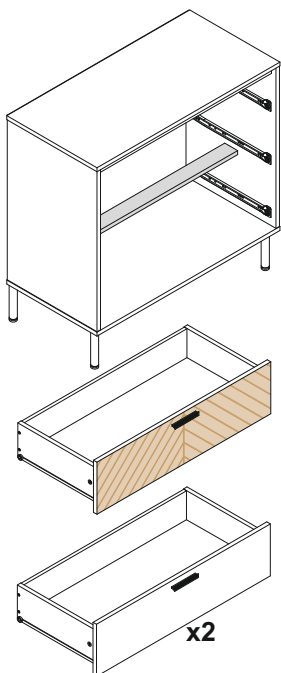


**BACK**



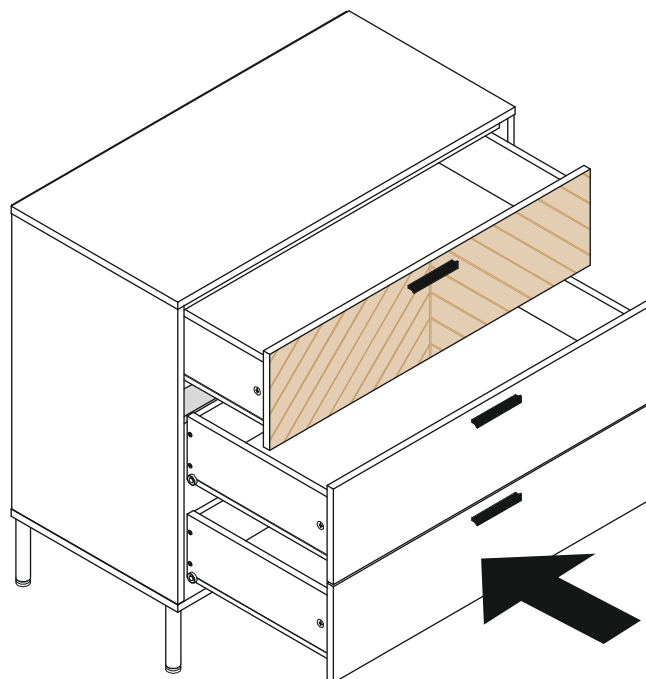
# STEP 16

PARTS REQUIRED



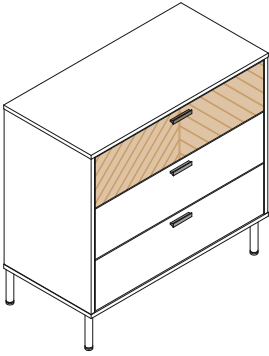
HARDWARE REQUIRED

TOOLS REQUIRED



# STEP 17

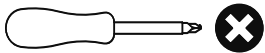
## PARTS REQUIRED



## HARDWARE REQUIRED

M  01

## TOOLS REQUIRED



## WARNING

**Serious or fatal injuries can occur from furniture tipping over. To prevent the furniture from tipping over we recommend that it is permanently fixed to the wall.**

Wall fixings are not supplied with this product as different wall materials require different types of fixing devices. Please make sure you use fixings suitable for the walls in your home.

