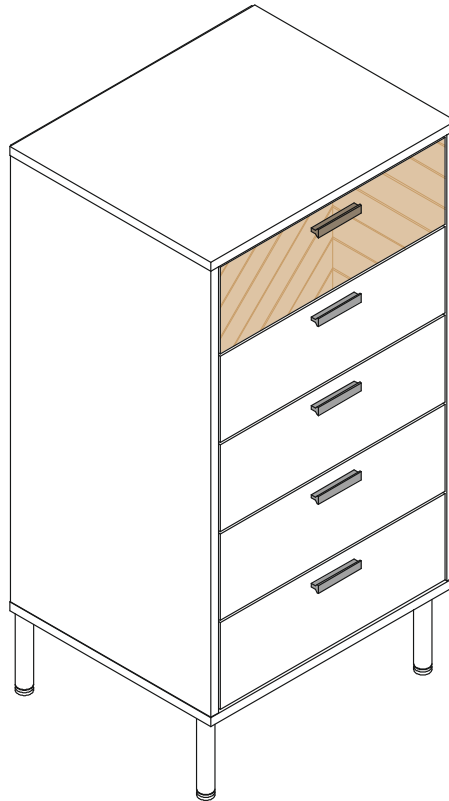


LEON 5 DRAWER CHEST ASSEMBLY INSTRUCTIONS



**FOR DOMESTIC USE ONLY
IMPORTANT**

PLEASE READ BEFORE YOU CONTINUE FURTHER

THE PRODUCT YOU HAVE PURCHASED WILL GIVE YOU MANY YEARS OF SERVICE IF YOU FOLLOW THE GUIDELINES FOR ITS SAFE ASSEMBLY AND PERIODIC MAINTENANCE AND CLEANING.

ASSEMBLE ON A SOFT CLEAN SURFACE.

DO NOT USE ANY TOOLS OTHER THAN THOSE SHOWN.

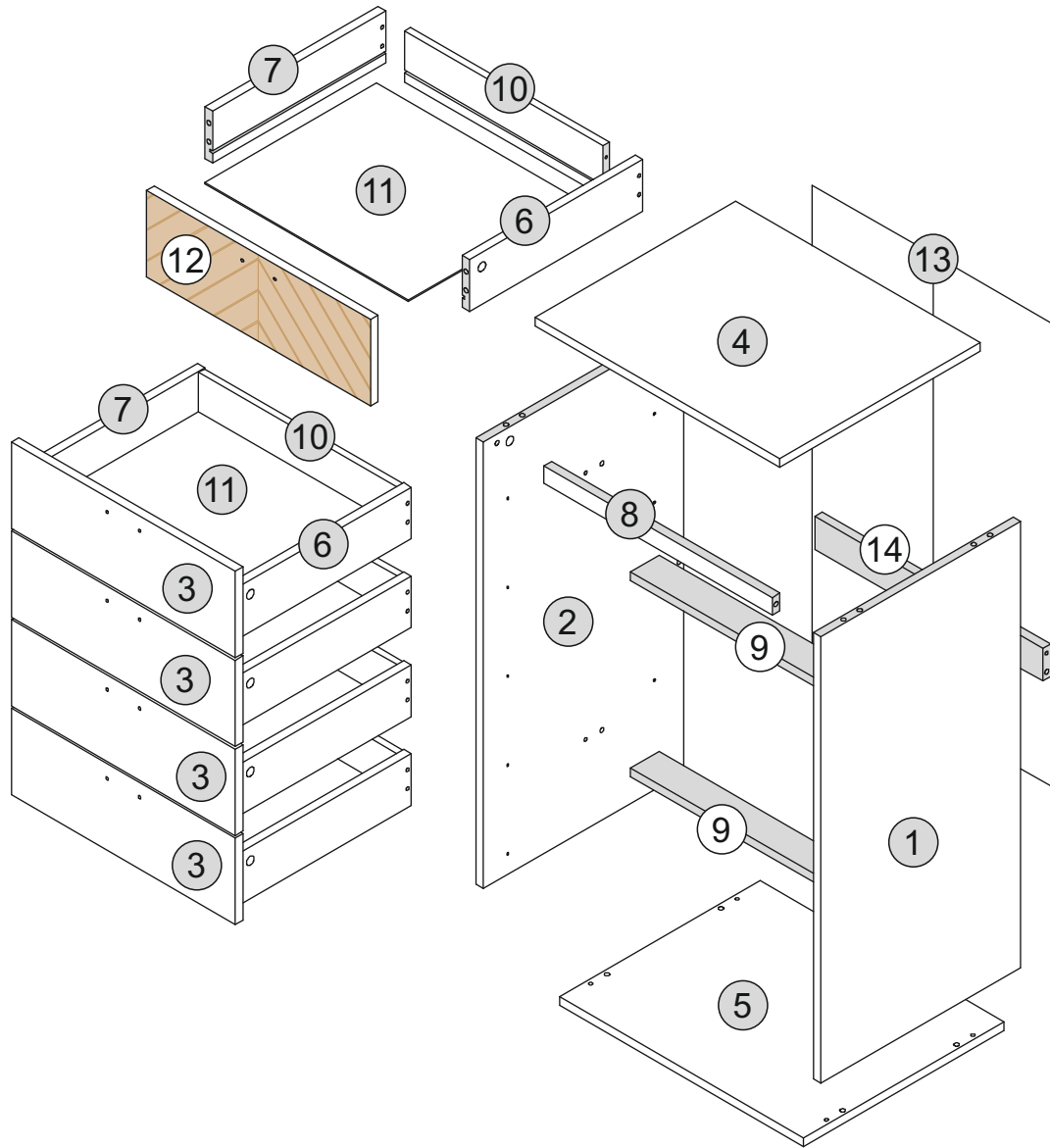
ANY SPANNERS OR ALLEN KEYS REQUIRED ARE INCLUDED WITH THE FITTING KIT.

DO NOT FOR ANY REASON USE A POWER TOOL TO ASSEMBLE THIS PRODUCT. ITS USE WILL INVALIDATE ANY CLAIM YOU MAY HAVE AND COULD MAKE THIS PRODUCT UNSAFE.

DEPENDING ON THE AMOUNT OF USE THIS PRODUCT RECEIVES, IT MAY BE NECESSARY TO TIGHTEN UP THE FIXINGS FROM TIME TO TIME. THIS IS COMPLETELY NORMAL FOR ANY FLAT PACK FURNITURE. DO NOT OVERTIGHTEN FIXINGS.

FOR CLEANING, YOU MAY USE A DAMP CLOTH (NOT WET). DO NOT USE POLISH, DETERGENT OR CHEMICAL CLEANERS.

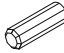










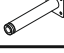

THIS SURFACE OF THIS ITEM IS NOT HEAT RESISTANT. ALWAYS USE A PLACE MAT UNDER HOT OR COLD ITEMS TO PREVENT MARKING.



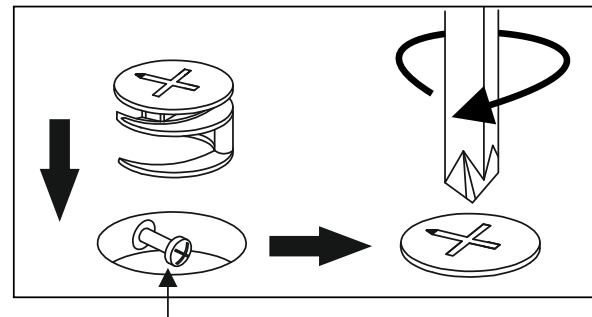
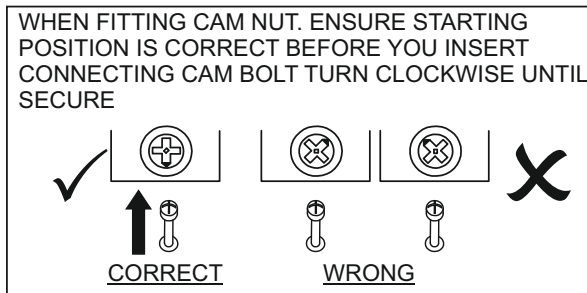
PART LIST

Part Number	Part Code	Part Description	Quantity	Carton
1	S100-102-178-ZF1-01	Right Side Panel	1	1/1
2	S100-102-178-ZF1-02	Left Side Panel	1	1/1
3	S100-102-178-ZF1-03	Drawer Front	4	1/1
4	S100-102-178-ZF1-04	Top Panel	1	1/1
5	S100-102-178-ZF1-05	Bottom Panel	1	1/1
6	S100-102-178-ZF1-06	Right Drawer Side Panel	5	1/1
7	S100-102-178-ZF1-07	Left Drawer Side Panel	5	1/1
8	S100-102-178-ZF1-08	Top Support Panel	1	1/1
9	S100-102-178-ZF1-09	Centre Support Panel	2	1/1
10	S100-102-178-ZF1-10	Drawer Back Panel	5	1/1
11	S100-102-178-ZF1-11	Drawer Base	5	1/1
12	S100-102-178-ZF1-12	Top Drawer Front	1	1/1
13	S100-102-178-ZF1-13	Back Panel	1	1/1
14	S100-102-178-ZF1-14	Back Support Panel	1	1/1

HARDWARE LIST

No	Part Name		Qty	Carton
A	M8x30mm Wooden Dowel		x26	1
B	Minifix Cam Bolt (8032t)		x20	1
C	Minifix Cam Nut (1512)		x20	1
D	M3.5x16mm Screw		x60	1
E	M4x45mm Screw		x4	1
F	M4x38mm Screw		x20	1
G	20mm Handle Screw		x10	1
H	Handle (64mm)		x5	1
I	14" Drawer Slide (VKT 0.9 - Black)		x5	1
J	Nail		x26	1
K	PVC L-Bracket		x1	1
L	Iron Leg (150mm) - Black		x4	1
M	Wall Fixing (4x20mm=1pc)		x1	1

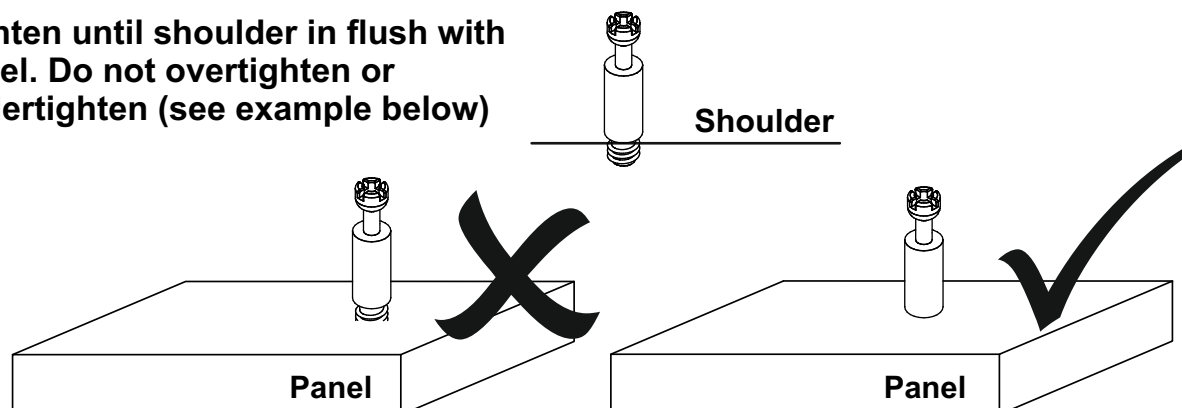
TIPS FOR FITTINGS CAM-LOCKS



Cam bolt head needs to be in centre

CAMBOLT

Tighten until shoulder in flush with panel. Do not overtighten or undertighten (see example below)



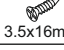
STEP 1

PARTS REQUIRED

1 - RIGHT SIDE PANEL x1

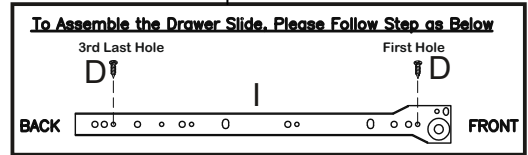
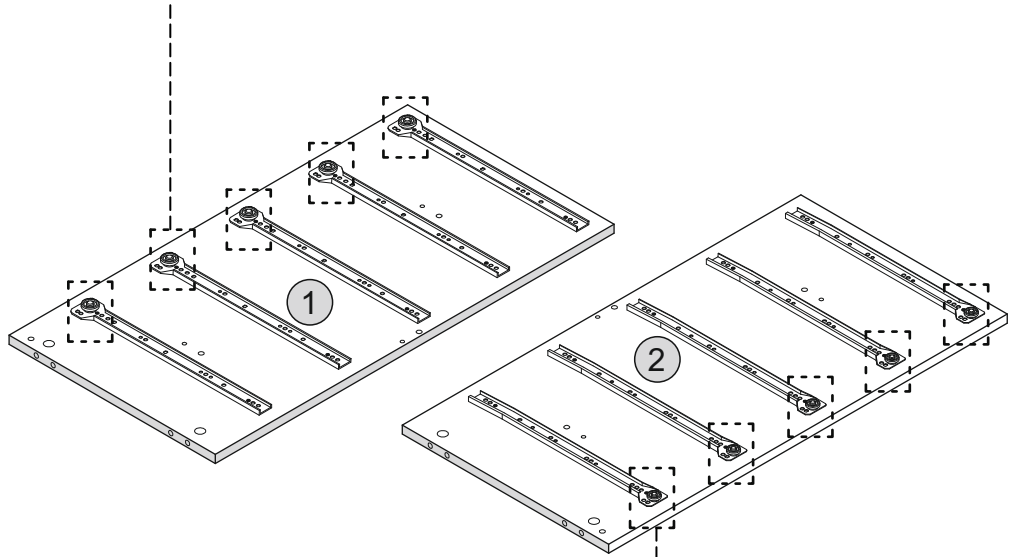
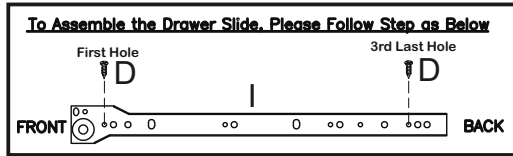
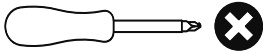
2 - LEFT SIDE PANEL x1

HARDWARE REQUIRED

D  20
3.5x16mm

I  05

TOOLS REQUIRED



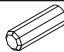
STEP 2

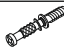
PARTS REQUIRED

1 - RIGHT SIDE PANEL x1

2 - LEFT SIDE PANEL x1

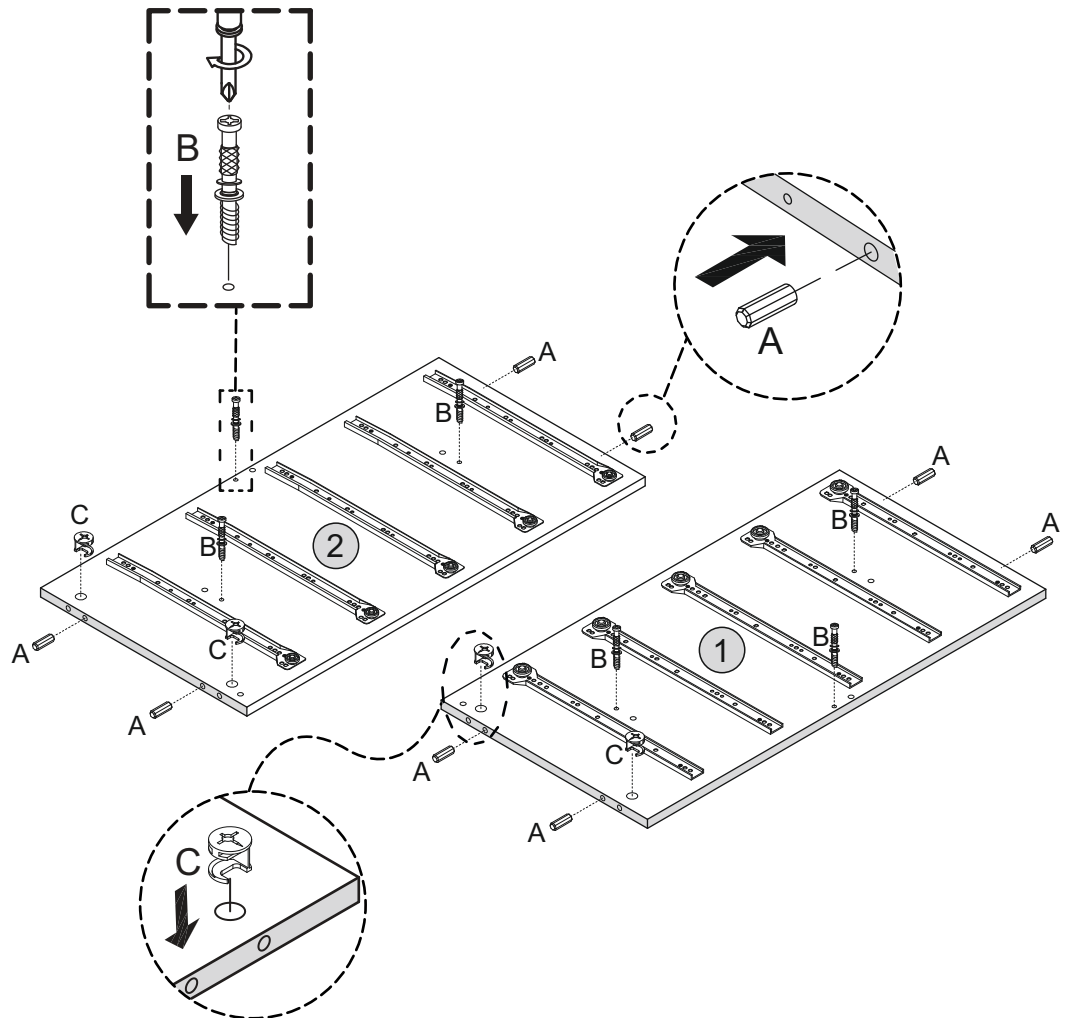
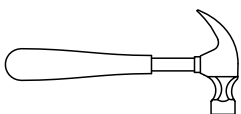
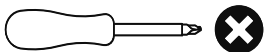
HARDWARE REQUIRED

A  08

B  06

C  04

TOOLS REQUIRED



STEP 3

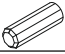
PARTS REQUIRED

8 - TOP SUPPORT PANEL x1

9 - CENTRE SUPPORT PANEL x2

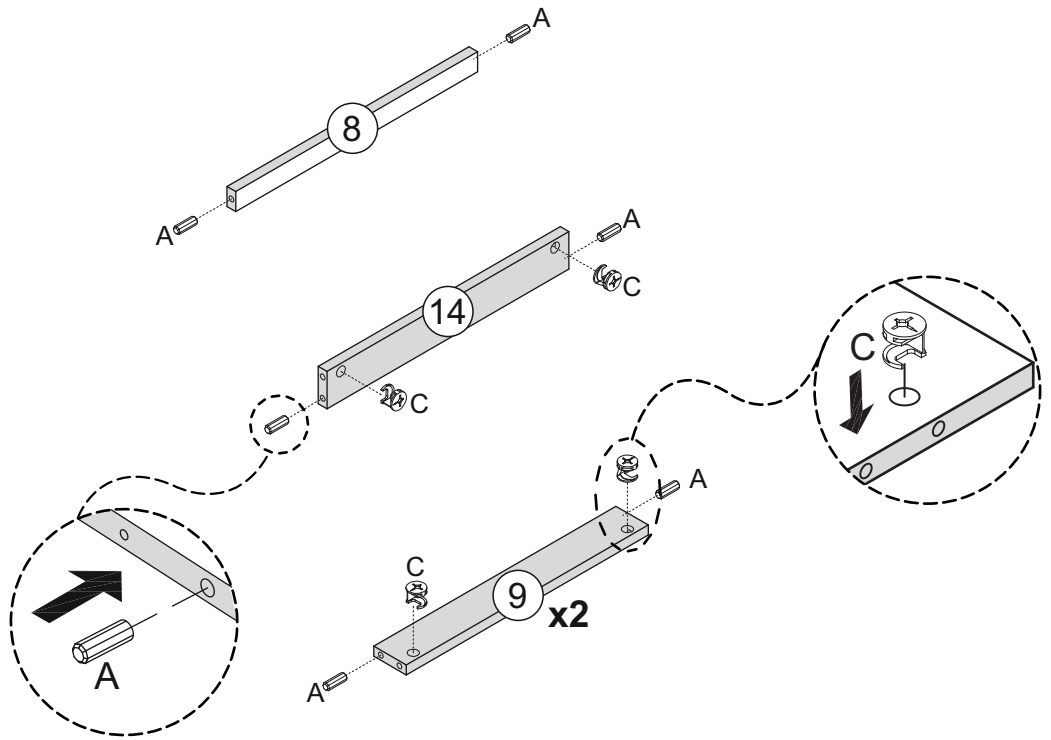
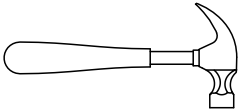
14 - BACK SUPPORT PANEL x1

HARDWARE REQUIRED

A  08

C  06

TOOLS REQUIRED



STEP 4

PARTS REQUIRED

4 - TOP PANEL x1

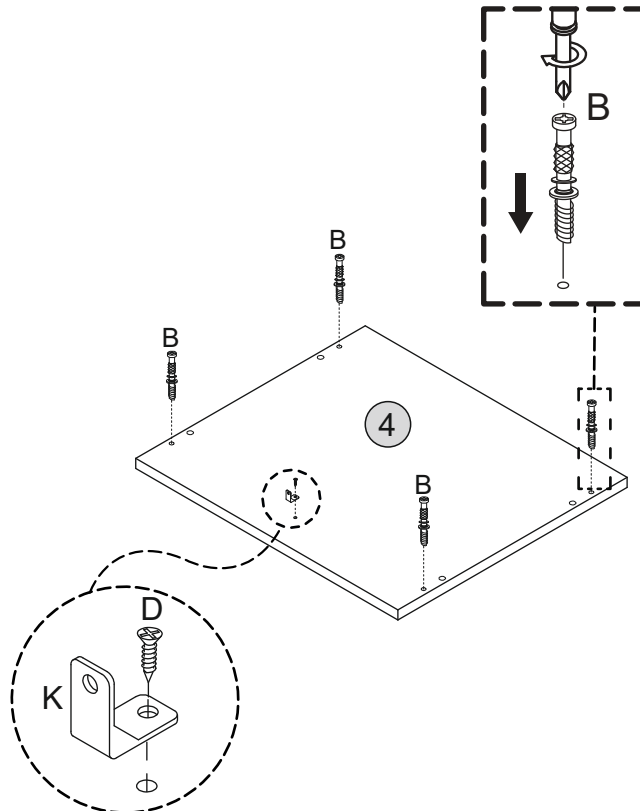
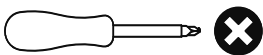
HARDWARE REQUIRED

B  04

D  3.5x16mm 01

K  01

TOOLS REQUIRED



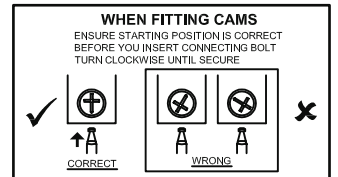
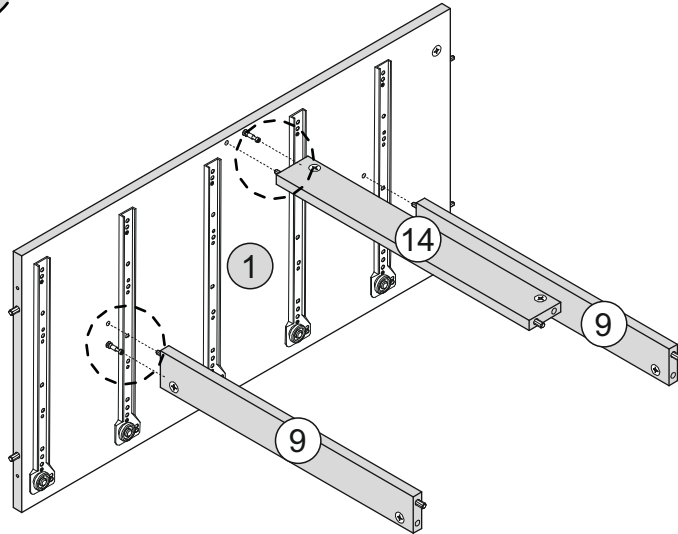
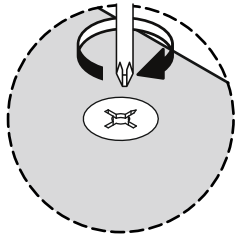
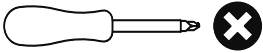
STEP 5

PARTS REQUIRED

- 1 - RIGHT SIDE PANEL x1
- 9 - CENTRE SUPPORT PANEL x2
- 14 - BACK SUPPORT PANEL x1

HARDWARE REQUIRED

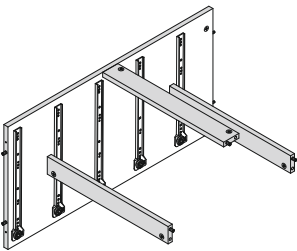
TOOLS REQUIRED



STEP 6

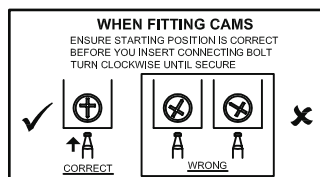
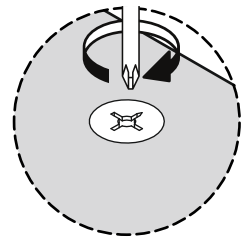
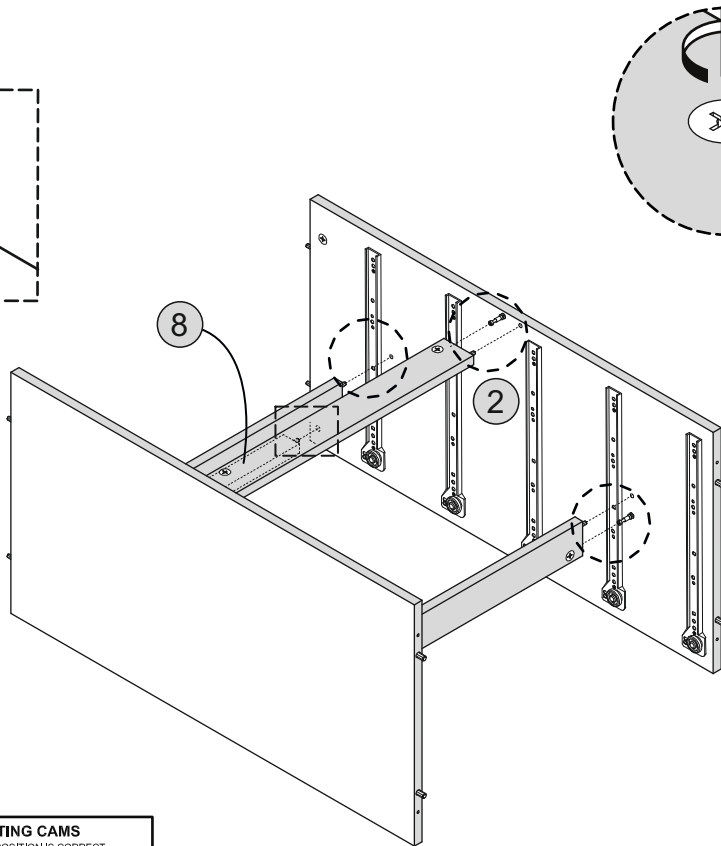
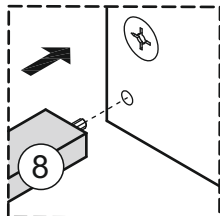
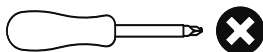
PARTS REQUIRED

- 2 - LEFT SIDE PANEL x1
- 8 - TOP SUPPORT PANEL x1



HARDWARE REQUIRED

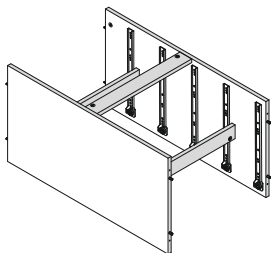
TOOLS REQUIRED



STEP 7

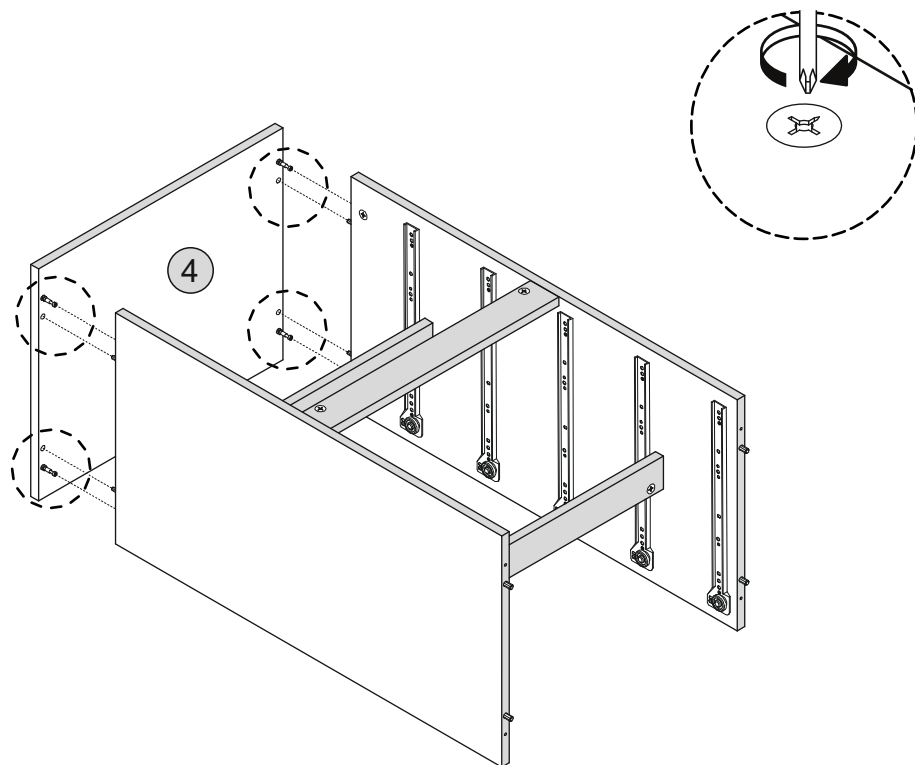
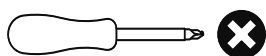
PARTS REQUIRED

4 - TOP PANEL x1



HARDWARE REQUIRED

TOOLS REQUIRED

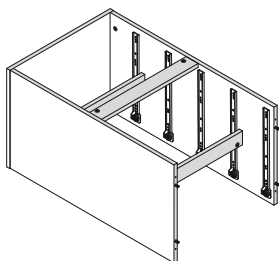


WHEN FITTING CAMS
 ENSURE STARTING POSITION IS CORRECT
 BEFORE YOU INSERT CONNECTING BOLT
 TURN CLOCKWISE UNTIL SECURE

✓ ✗
 ↑ A
 CORRECT WRONG

STEP 8

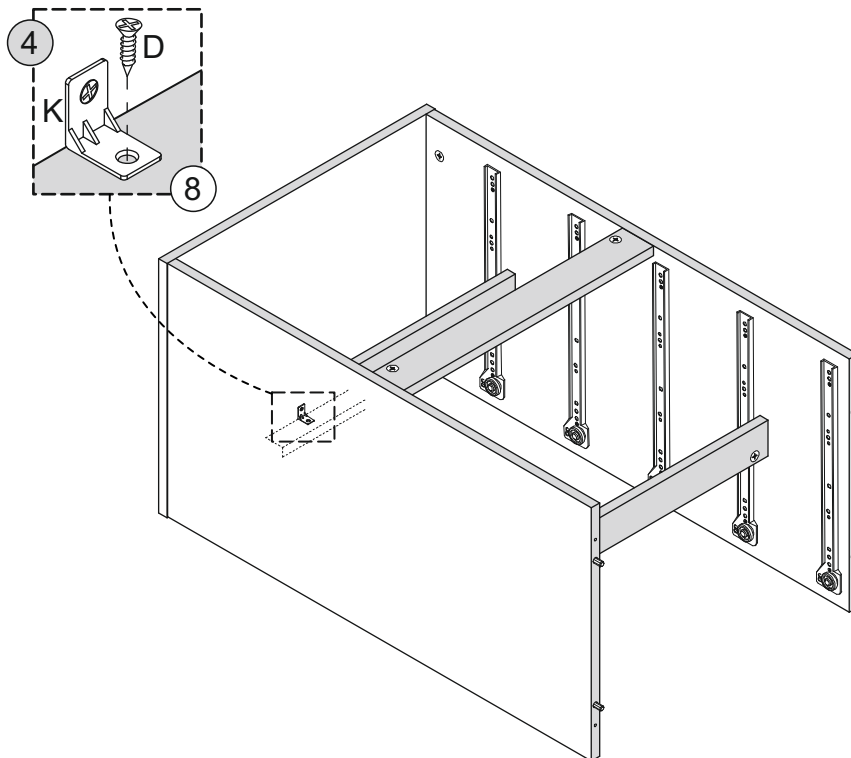
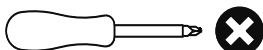
PARTS REQUIRED



HARDWARE REQUIRED

D 01
 3.5x16mm

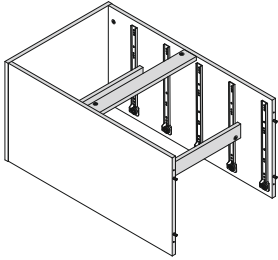
TOOLS REQUIRED



STEP 9

PARTS REQUIRED

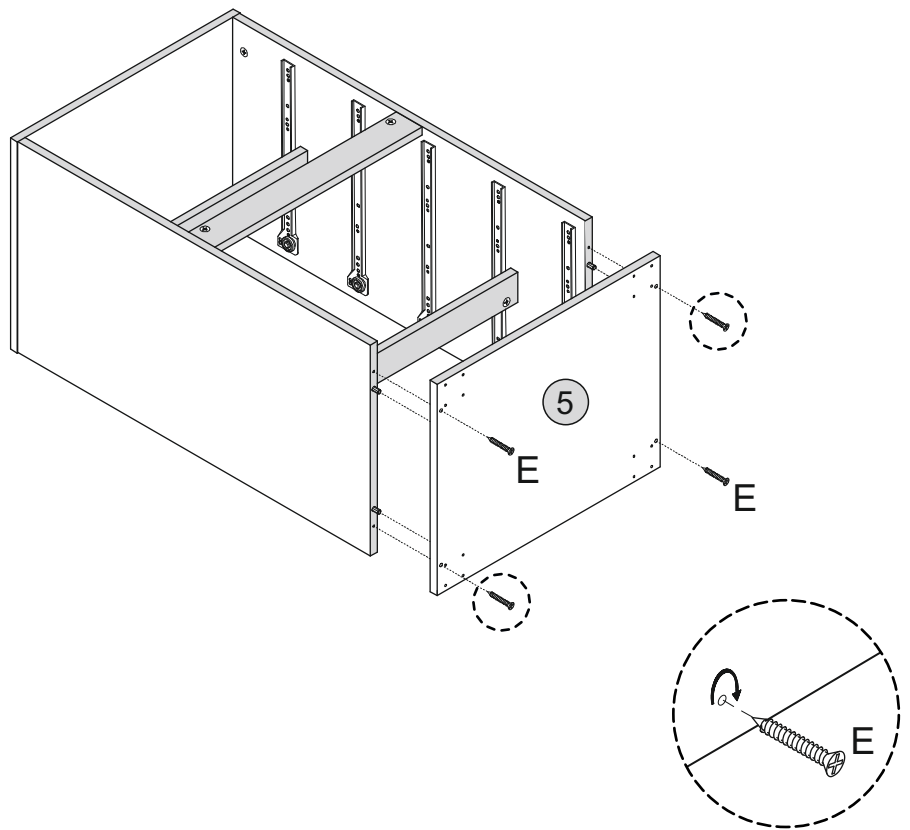
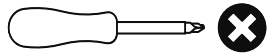
5 - BOTTOM PANEL x1



HARDWARE REQUIRED

E 4x45mm 04

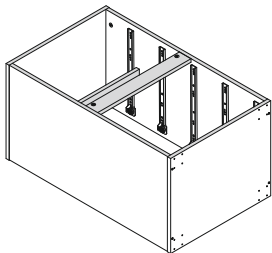
TOOLS REQUIRED



STEP 10

PARTS REQUIRED

13 - BACK PANEL x1



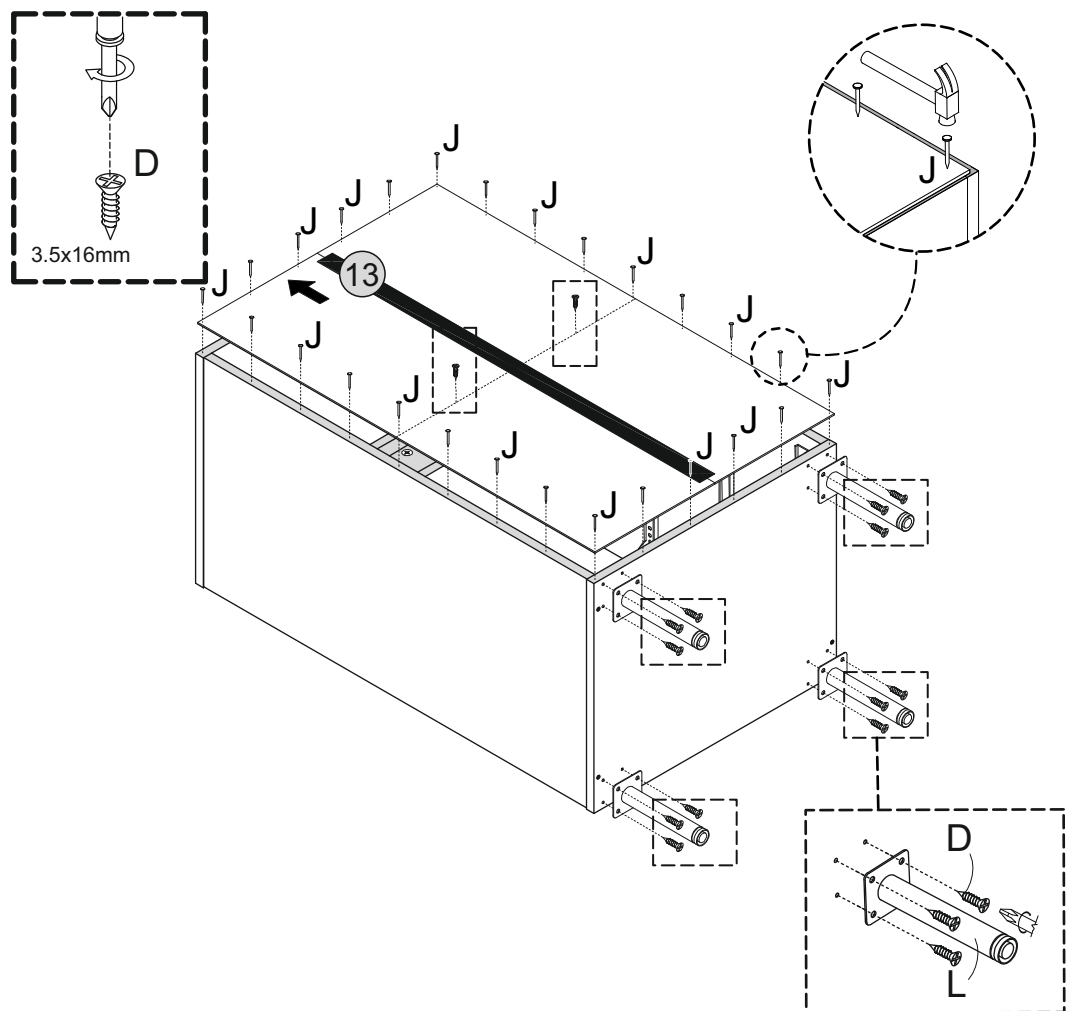
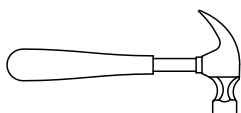
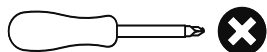
HARDWARE REQUIRED

D 3.5x16mm 18

J 26

L 04

TOOLS REQUIRED

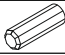
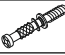



STEP 11

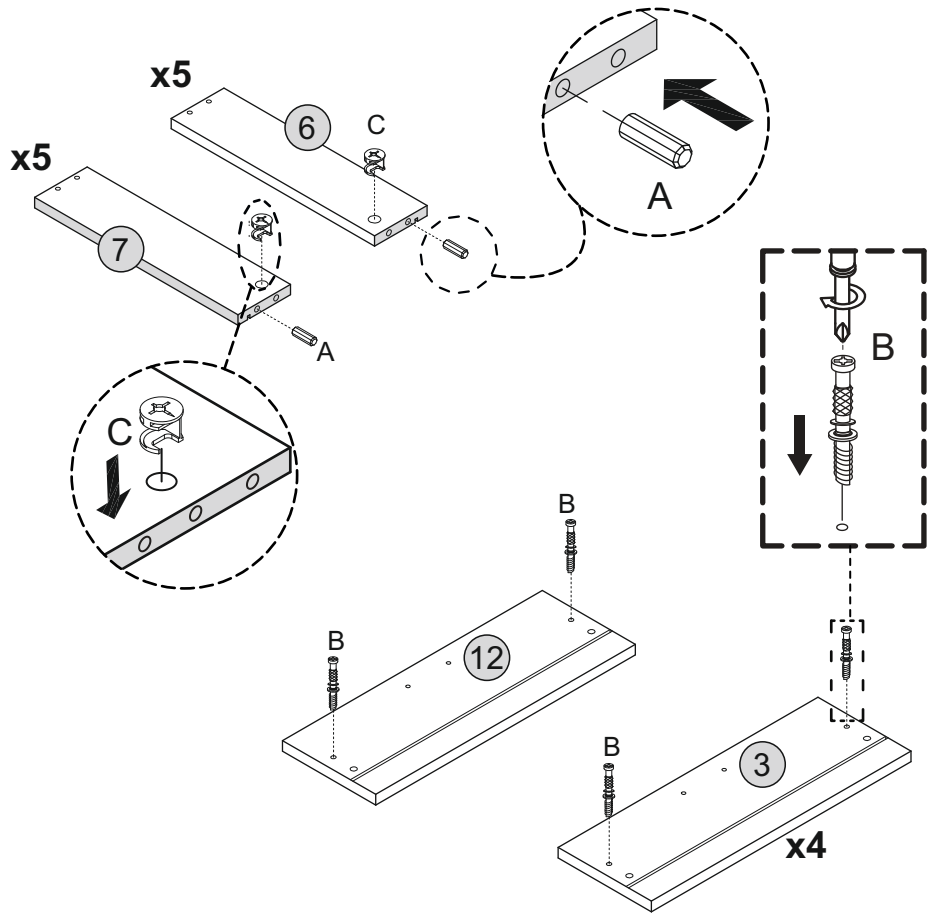
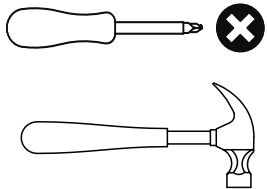
PARTS REQUIRED

3 - DRAWER FRONT	x4
6 - RIGHT DRAWER SIDE	x5
7 - LEFT DRAWER SIDE	x5
12 - TOP DRAWER FRONT	x1

HARDWARE REQUIRED

A		10
B		10
C		10

TOOLS REQUIRED



STEP 12

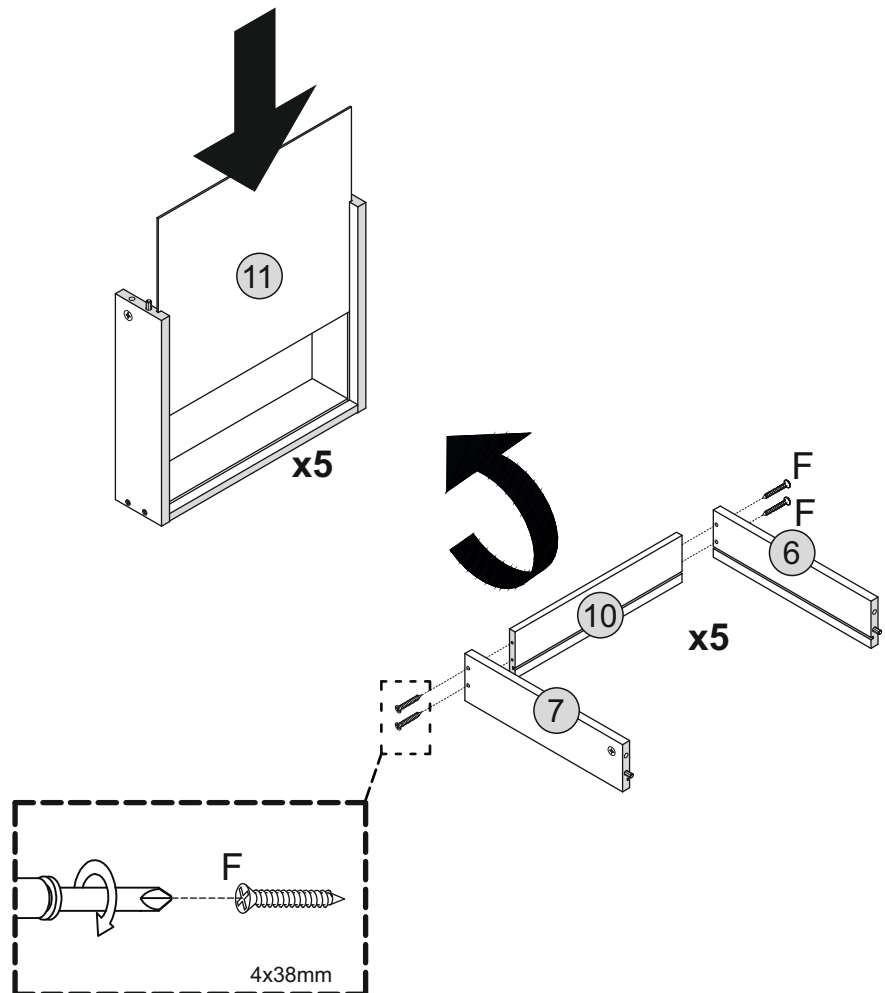
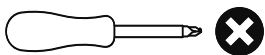
PARTS REQUIRED

6 - RIGHT DRAWER SIDE	x5
7 - LEFT DRAWER SIDE	x5
10 - DRAWER BACK	x5
11 - DRAWER BASE	x5

HARDWARE REQUIRED

F		20
---	---	----

TOOLS REQUIRED

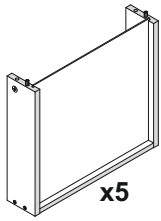


STEP 13

PARTS REQUIRED

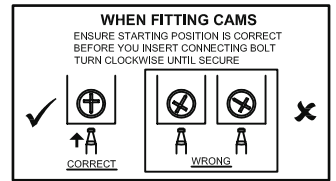
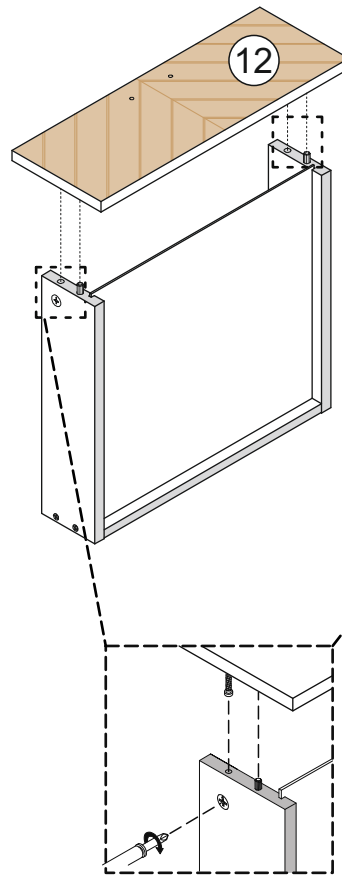
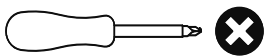
3 - DRAWER FRON x4

12 - TOP DRAWER FRONT x1



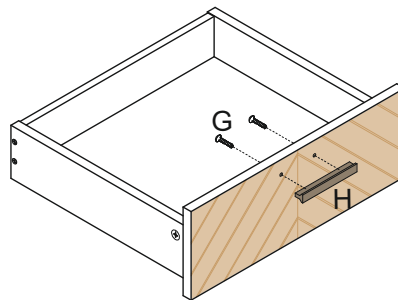
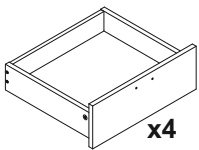
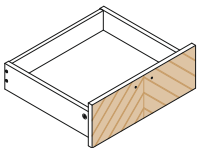
HARDWARE REQUIRED

TOOLS REQUIRED



STEP 14

PARTS REQUIRED

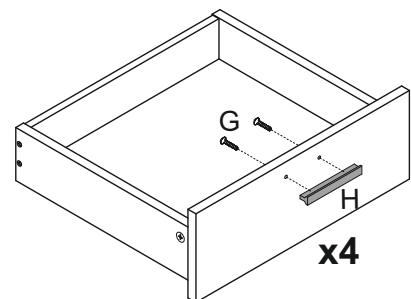
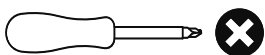


HARDWARE REQUIRED

G  10

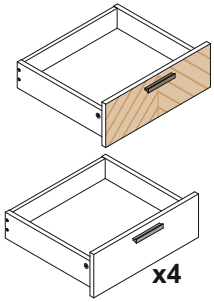
H  05

TOOLS REQUIRED





STEP 15

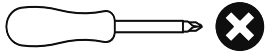
PARTS REQUIRED



HARDWARE REQUIRED

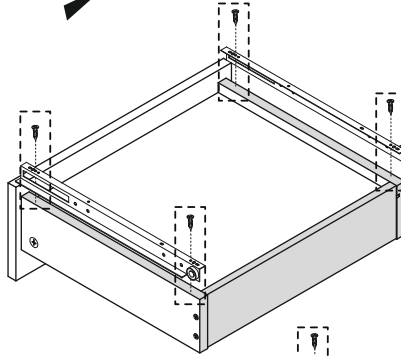
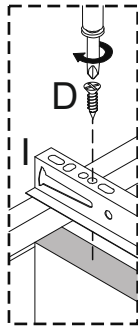
D		20
I		05

TOOLS REQUIRED

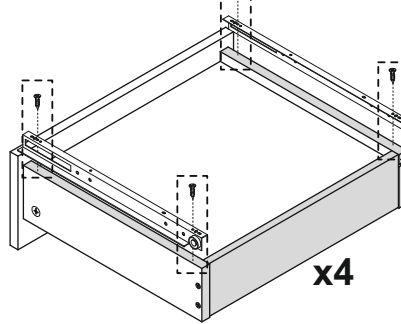
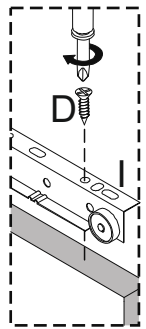


Turn Back 

FRONT

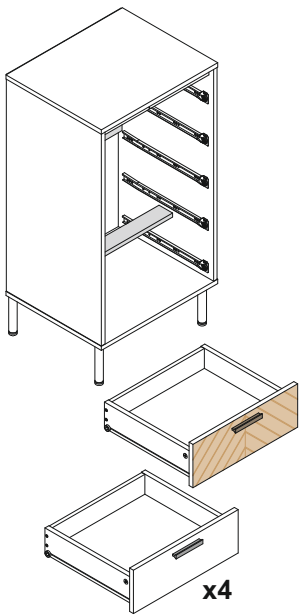


BACK



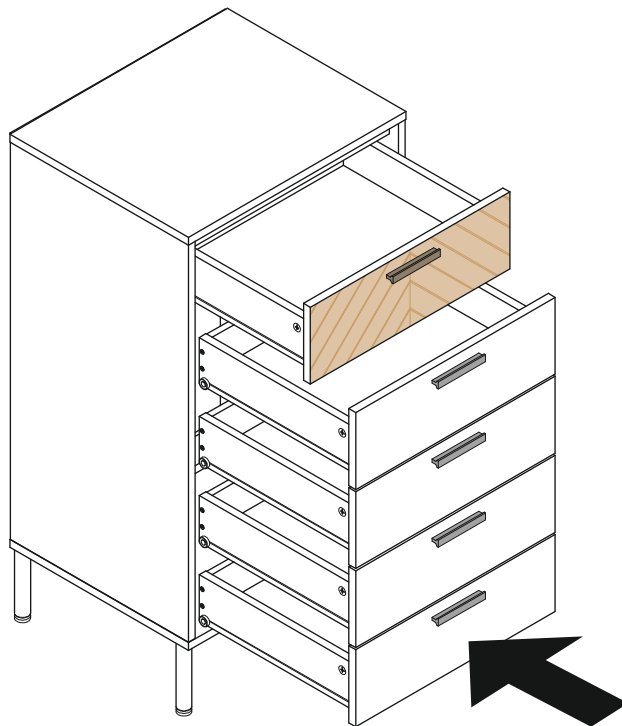
STEP 16

PARTS REQUIRED



HARDWARE REQUIRED

TOOLS REQUIRED



STEP 17

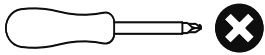
PARTS REQUIRED



HARDWARE REQUIRED

M  01

TOOLS REQUIRED



WARNING

Serious or fatal injuries can occur from furniture tipping over. To prevent the furniture from tipping over we recommend that it is permanently fixed to the wall.

Wall fixings are not supplied with this product as different wall materials require different types of fixing devices. Please make sure you use fixings suitable for the walls in your home.

