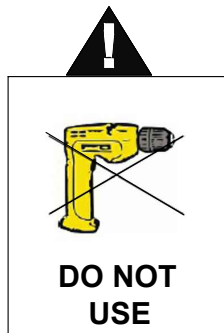


PARIS 4 DRAWER CHEST ASSEMBLY INSTRUCTIONS



FOR DOMESTIC USE ONLY IMPORTANT PLEASE READ BEFORE YOU CONTINUE FURTHER

THE PRODUCT YOU HAVE PURCHASED WILL GIVE YOU MANY YEARS OF SERVICE IF YOU FOLLOW THE GUIDELINES FOR ITS SAFE ASSEMBLY AND PERIODIC MAINTENANCE AND CLEANING.

ASSEMBLE ON A SOFT CLEAN SURFACE.

DO NOT USE ANY TOOLS OTHER THAN THOSE SHOWN.

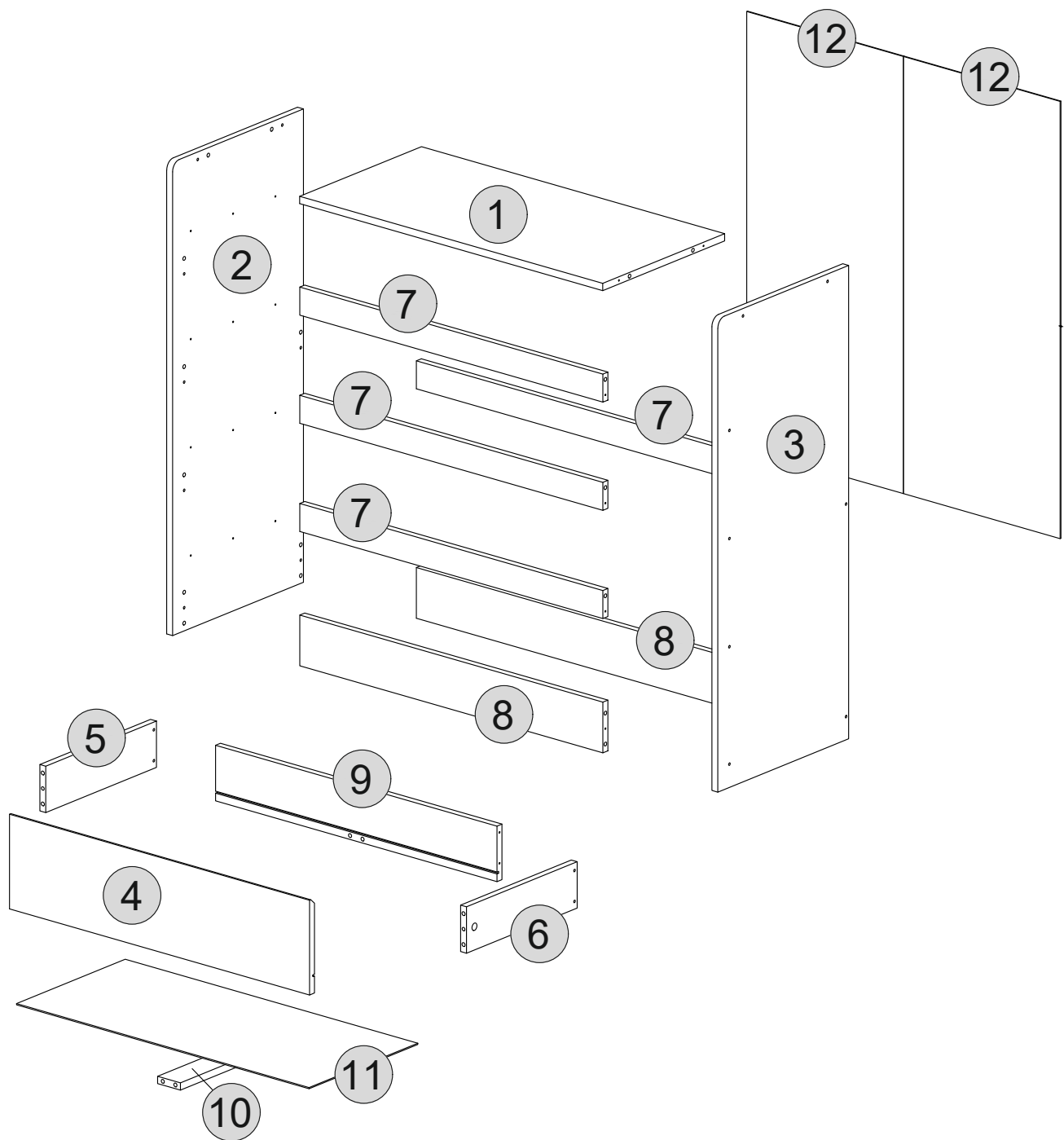
ANY SPANNERS OR ALLEN KEYS REQUIRED ARE INCLUDED WITH THE FITTING KIT.

DO NOT FOR ANY REASON USE A POWER TOOL TO ASSEMBLE THIS PRODUCT. ITS USE WILL INVALIDATE ANY CLAIM YOU MAY HAVE AND COULD MAKE THIS PRODUCT UNSAFE.

DEPENDING ON THE AMOUNT OF USE THIS PRODUCT RECEIVES, IT MAY BE NECESSARY TO TIGHTEN UP THE FIXINGS FROM TIME TO TIME. THIS IS COMPLETELY NORMAL FOR ANY FLAT PACK FUNITURE .

FOR CLEANING, YOU MAY USE A DAMP CLOTH (NOT WET). DO NOT USE POLISH, DETERGENT OR CHEMICAL CLEANERS.

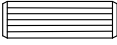


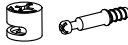

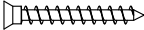
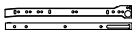

THIS SURFACE OF THIS ITEM IS NOT HEAT RESISTANT. ALWAYS USE A PLACE MAT UNDER HOT OR COLD ITEMS TO PREVENT MARKING.



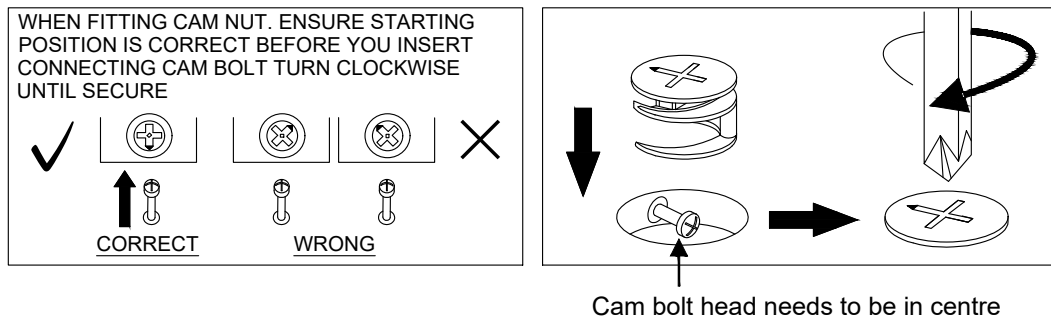
PART LIST

Part Number	Part Code	Part Description	Quantity	Carton
1	S100-102-196-FM1-01	Top Panel	1	1/2
2	S100-102-196-FM1-02	Side Panel (Left)	1	1/2
3	S100-102-196-FM1-03	Side Panel (Right)	1	1/2
4	S100-102-196-FM1-04	Drawer Front Panel	4	2/2
5	S100-102-196-FM1-05	Drawer Side Panel (Left)	4	1/2
6	S100-102-196-FM1-06	Drawer Side Panel (Right)	4	1/2
7	S100-102-196-FM1-07	Crossbar Panel	4	1/2
8	S100-102-196-FM1-08	Bottom Crossbar	2	1/2
9	S100-102-196-FM1-09	Drawer Backboard	4	2/2
10	S100-102-196-FM1-10	Drawer Crossbar	4	1/2
11	S100-102-196-FM1-11	Drawer Base	4	1/2
12	S100-102-196-FM1-12	Backboard	2	1/2

HARDWARE LIST

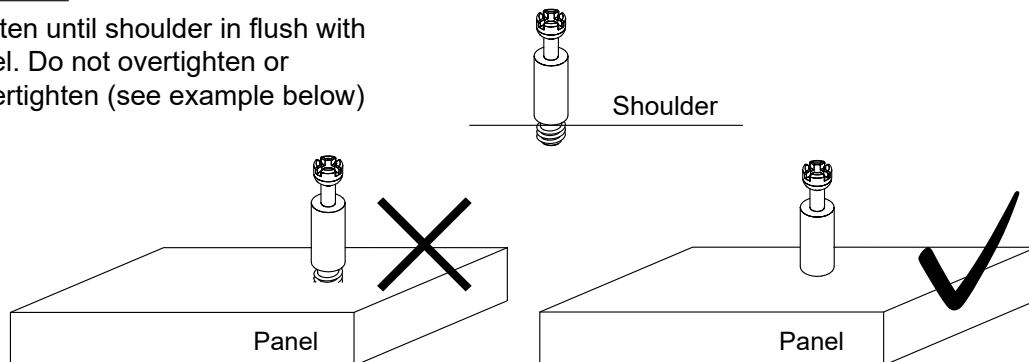
No	Part Name		Qty	Carton
DW6	Wooden Dowel 8 x 25mm		52 Pcs	1/2
LG1	Plastic Foot		4 Pcs	1/2
MF2	Nail		45 Pcs	1/2
MN2	Mini Fix 15mm		8 Sets	1/2
PF2	Plastic Support		16 Pcs	1/2
SC3	Screw M3.5mm x 14mm		76 Pcs	1/2
SC18	Screw M4 x 38mm		16 Pcs	1/2
SC25	FH Screw M5 x 40mm		16 Pcs	1/2
SL7	Drawer Metal Slide 350mm		4 Sets	1/2
SS3	Wall Fittings		2 Sets	1/2

TIPS FOR FITTINGS CAM-LOCKS



CAMBOLT

Tighten until shoulder in flush with panel. Do not overtighten or undertighten (see example below)



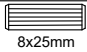
PLEASE CHECK THAT YOU HAVE ALL THE PARTS LISTED BEFORE YOU START ASSEMBLING, IF YOU DO FIND THAT SOMETHING IS MISSING, DO NOT CONTINUE ASSEMBLY. PLEASE CONTACT YOUR SUPPLIER IMMEDIATELY.

STEP 1

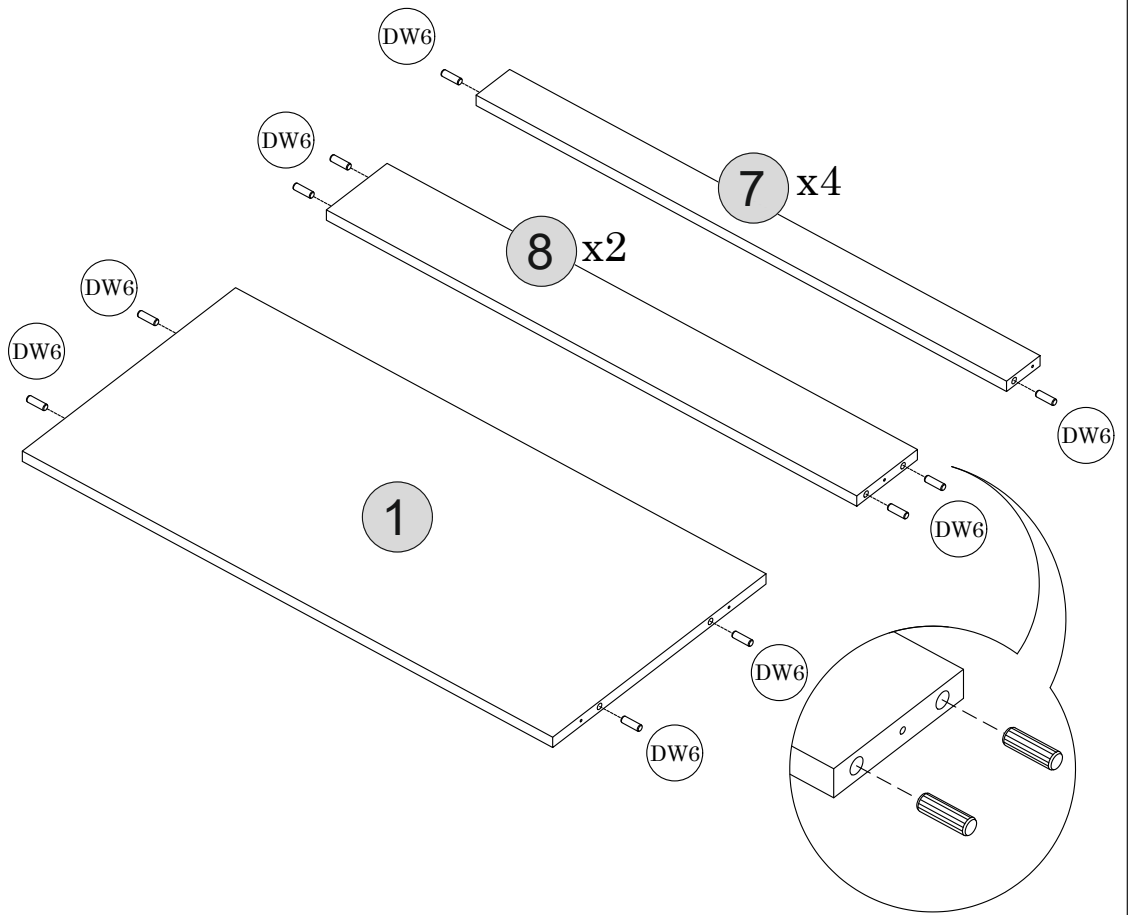
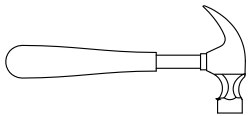
PARTS REQUIRED

1 - TOP PANEL	x1
7 - CROSSBAR PANEL	x4
8 - BOTTOM CROSSBAR	x2

HARDWARE REQUIRED

DW6		20
-----	---	----

TOOLS REQUIRED

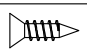


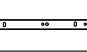
STEP 2

PARTS REQUIRED

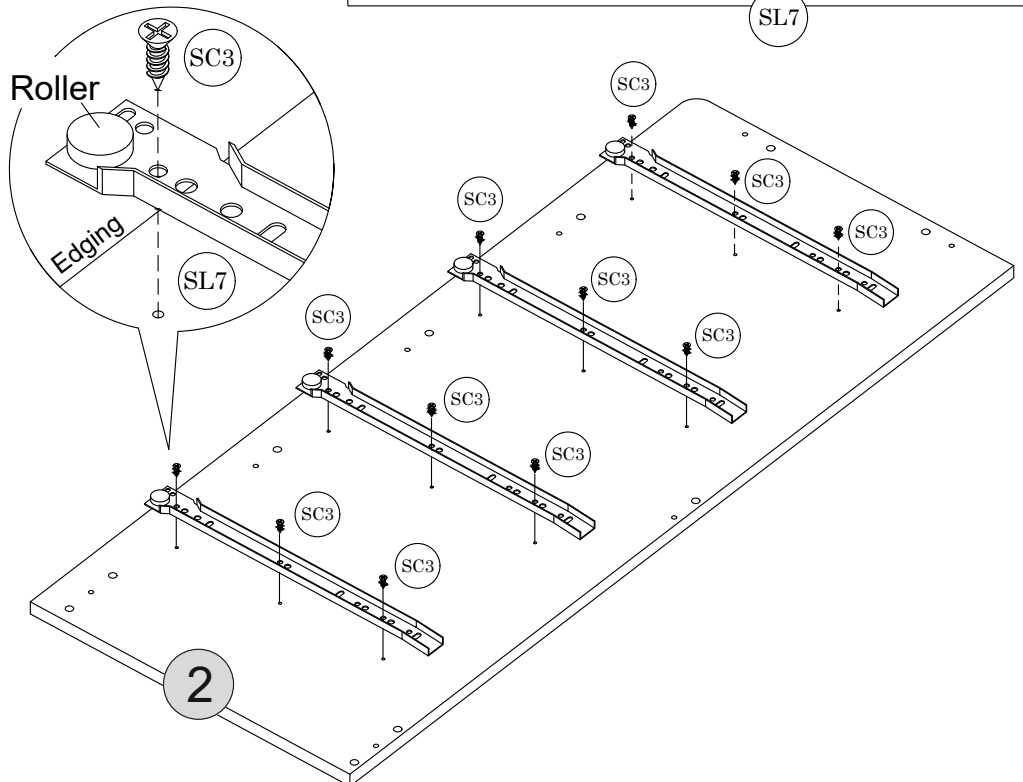
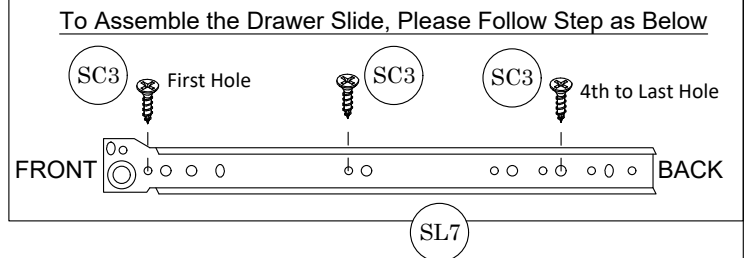
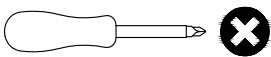
2 - SIDE PANEL (LEFT)	x1
-----------------------	----

HARDWARE REQUIRED

SC3		12
-----	---	----

SL7		04
-----	---	----

TOOLS REQUIRED




STEP 3

PARTS REQUIRED

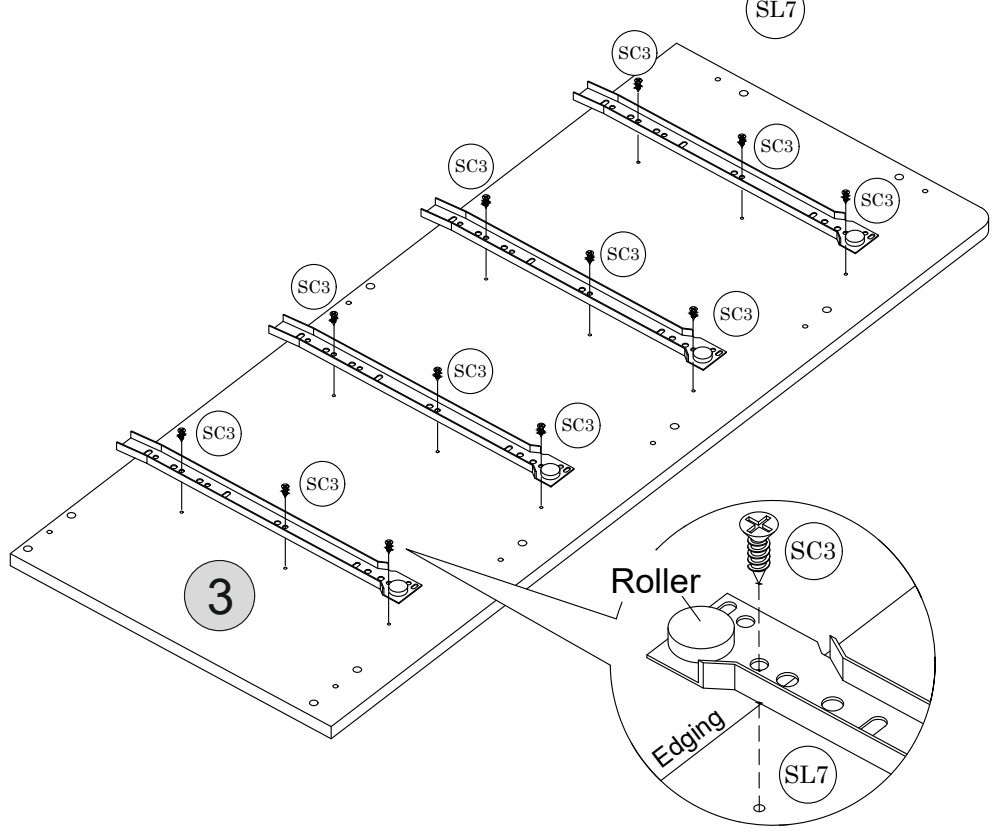
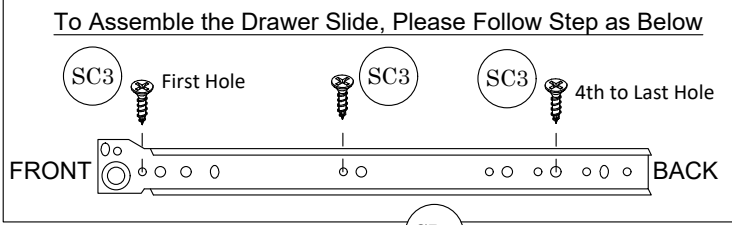
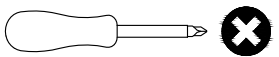
3 - SIDE PANEL (RIGHT) x1

HARDWARE REQUIRED

SC3  12

SL7  04

TOOLS REQUIRED



STEP 4

PARTS REQUIRED

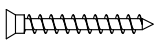
1 - TOP PANEL x1

3 - SIDE PANEL (RIGHT) x1

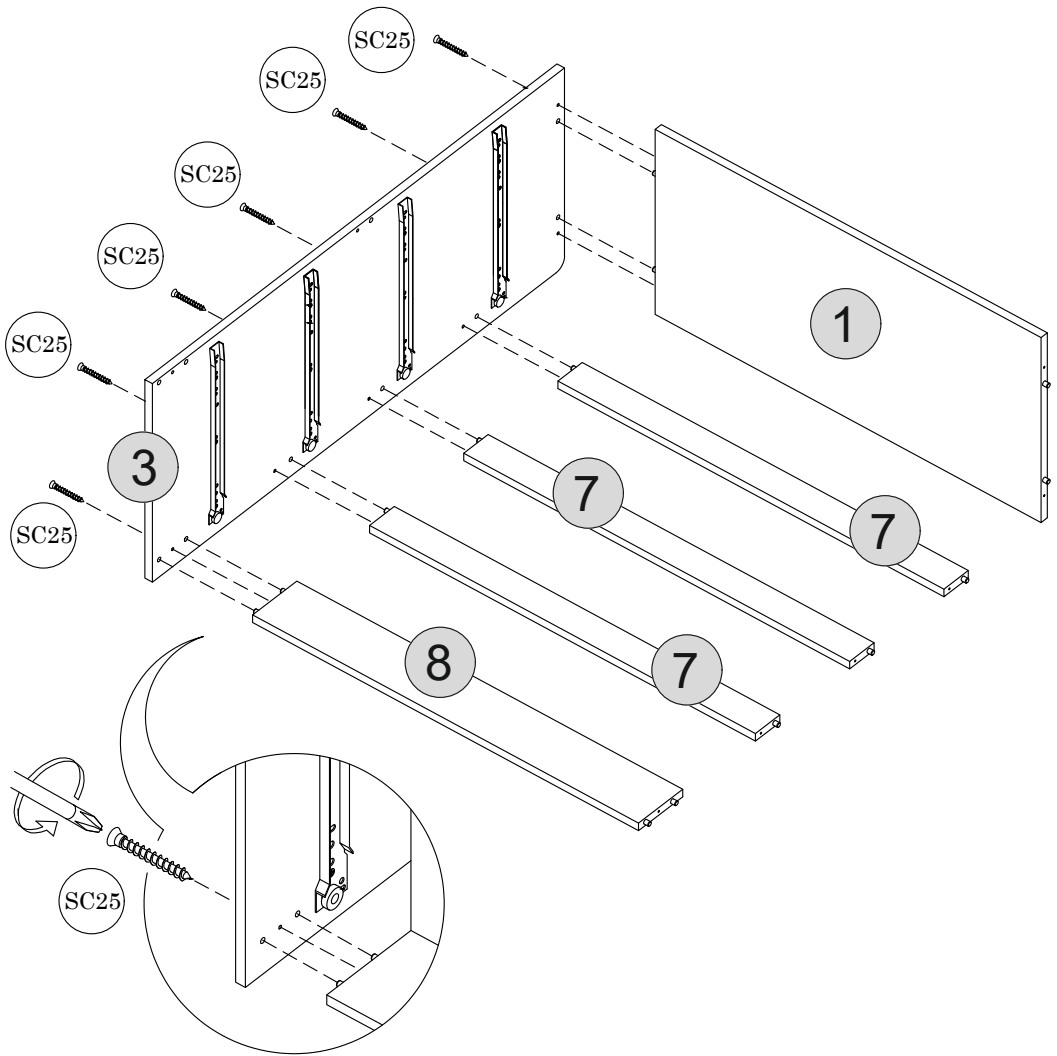
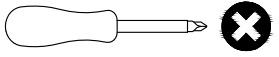
7 - CROSSBAR PANEL x3

8 - BOTTOM CROSSBAR x1

HARDWARE REQUIRED

SC25  06

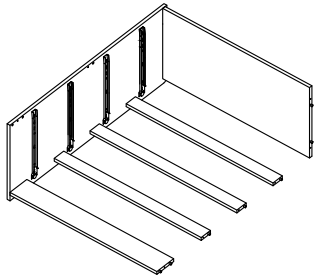
TOOLS REQUIRED



STEP 5

PARTS REQUIRED

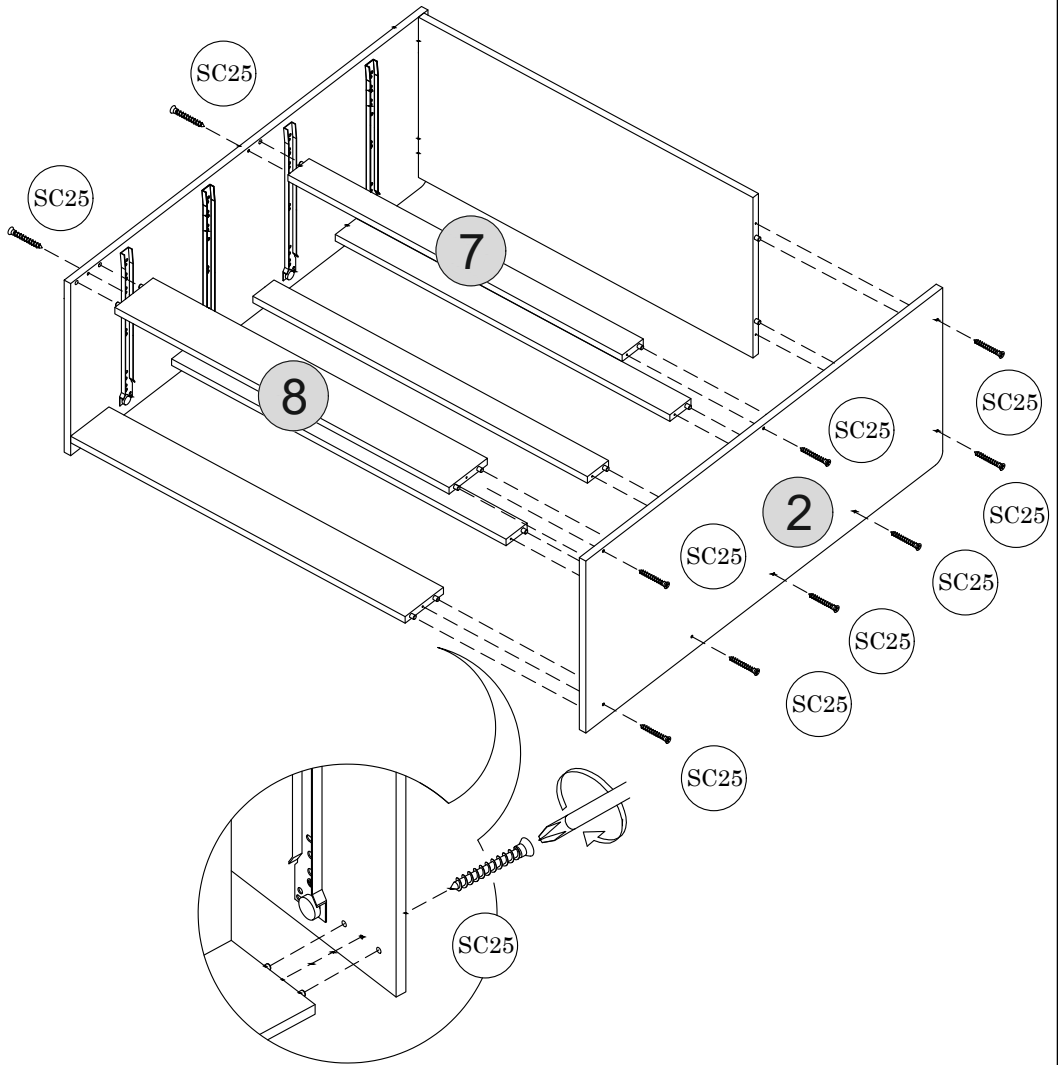
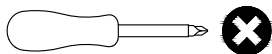
2 - SIDE PANEL (LEFT)	x1
7 - CROSSBAR PANEL	x1
8 - BOTTOM CROSSBAR	x1



HARDWARE REQUIRED

SC25		10
------	--	----

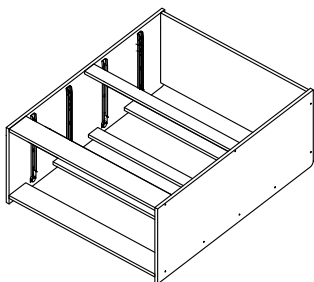
TOOLS REQUIRED



STEP 6

PARTS REQUIRED

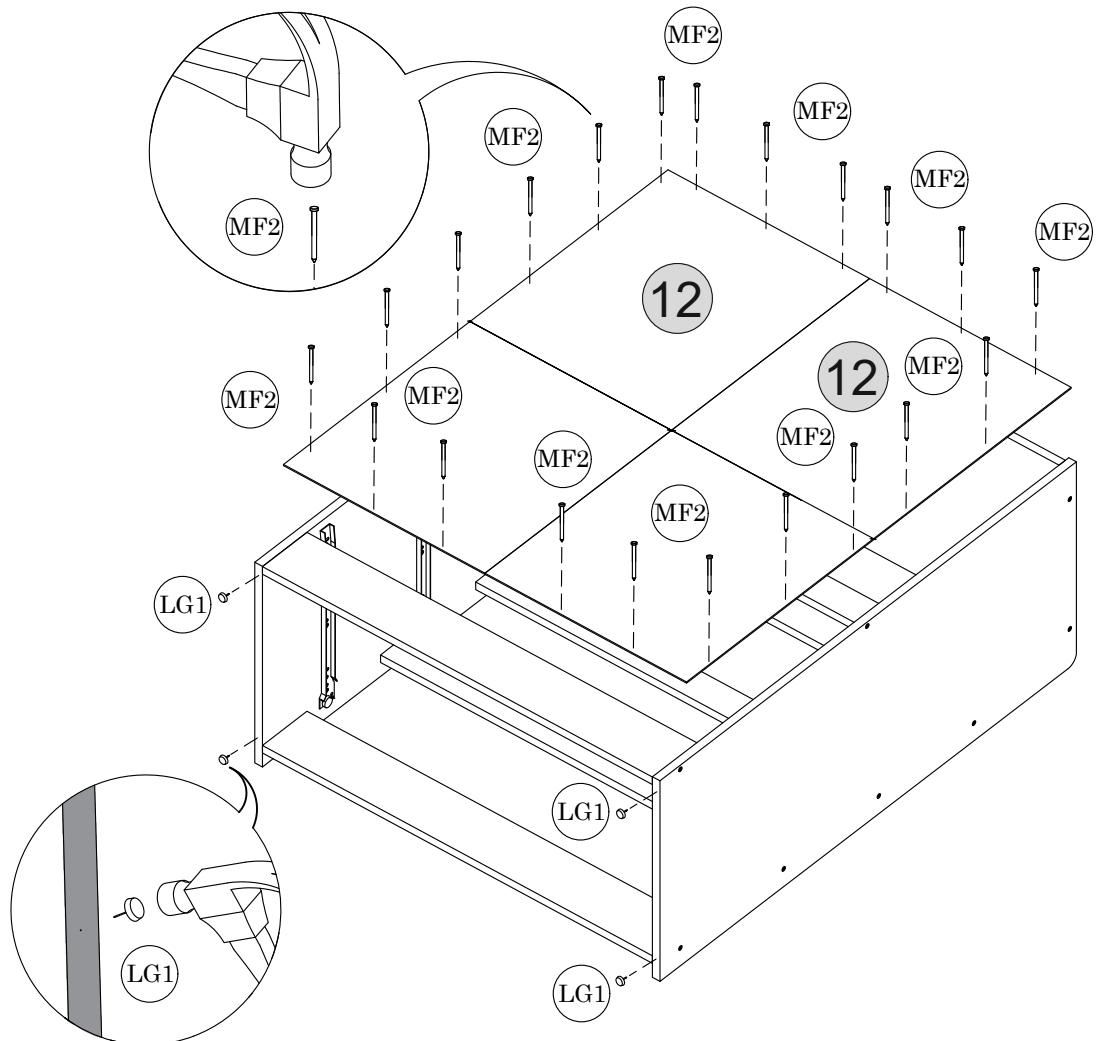
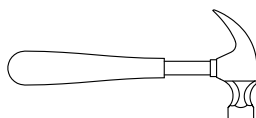
12 - BACKBOARD	x2
----------------	----



HARDWARE REQUIRED

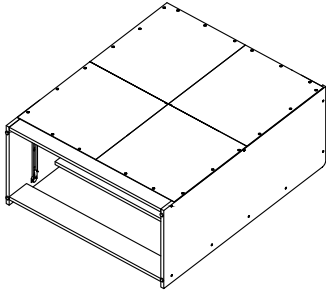
LG1		04
SC3		21

TOOLS REQUIRED



STEP 7

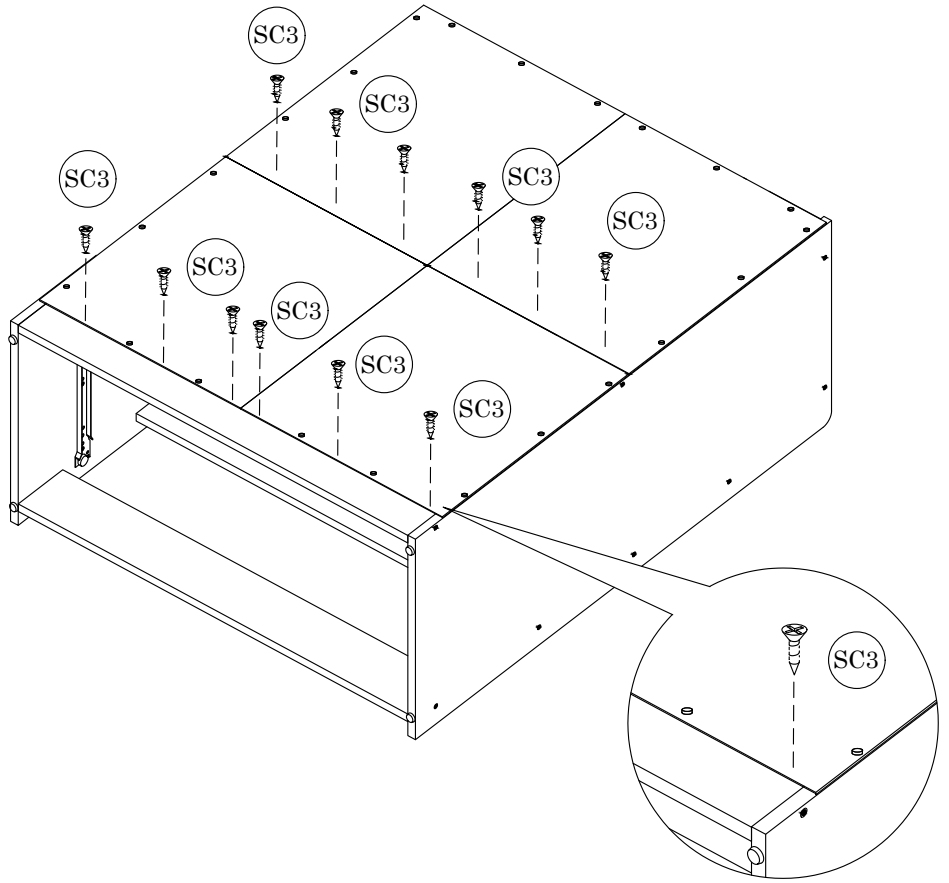
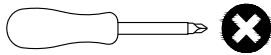
PARTS REQUIRED



HARDWARE REQUIRED

SC3		12
-----	---	----

TOOLS REQUIRED



STEP 8


PARTS REQUIRED

4 - DRAWER FRONT PANEL	x4
5 - DRAWER SIDE PANEL(L)	x4
6 - DRAWER SIDE PANEL (R)	x4
10 - DRAWER CROSSBAR	x4

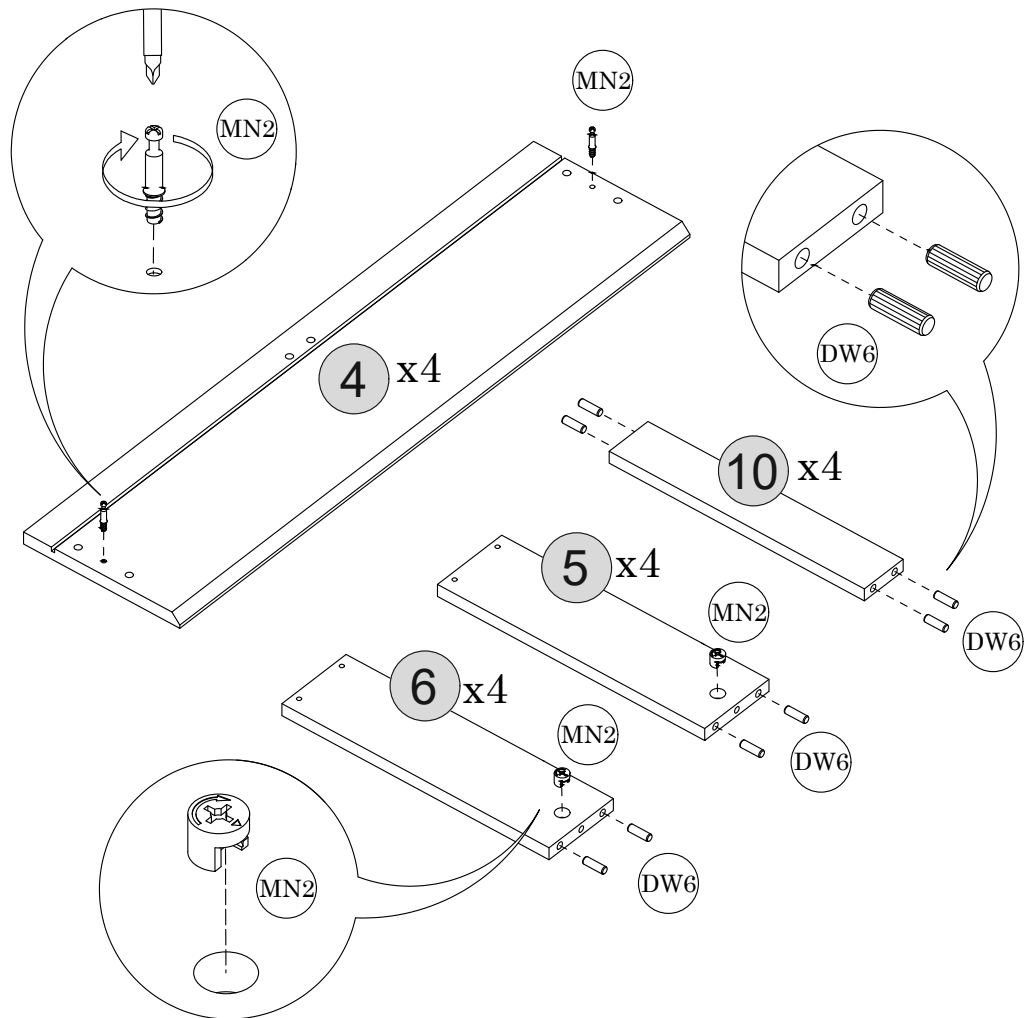
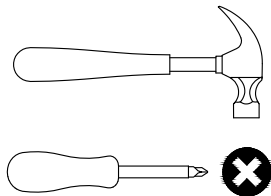
HARDWARE REQUIRED

DW6	 8x25mm	32
-----	---	----

MN2		08
-----	---	----

MN2		08
-----	---	----

TOOLS REQUIRED



STEP 9

PARTS REQUIRED

5 - DRAWER SIDE PANEL (L) x4

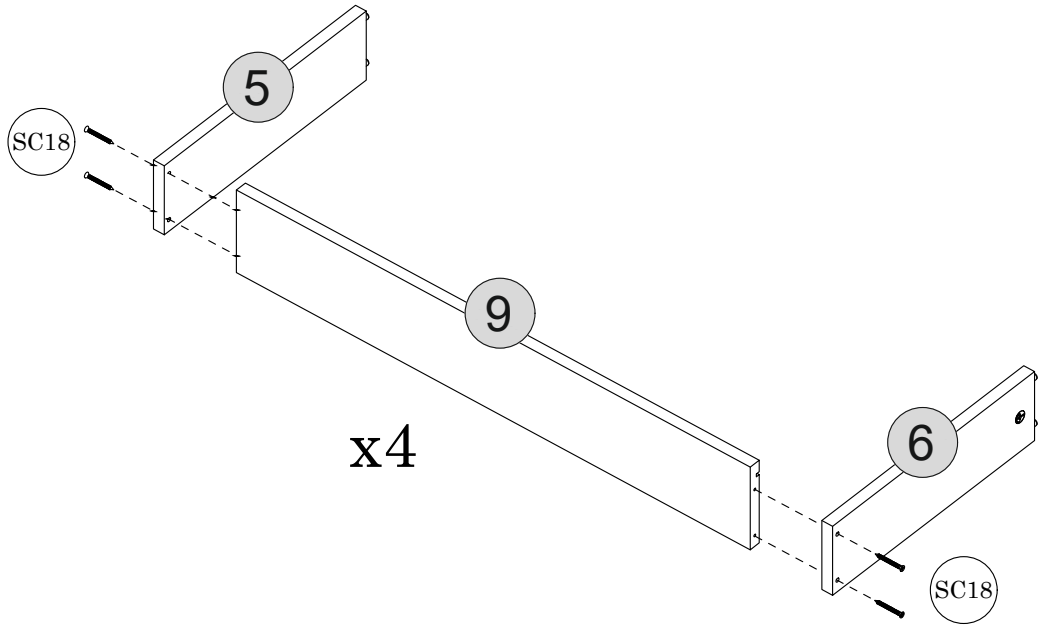
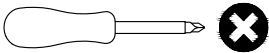
6 - DRAWER SIDE PANEL (R) x4

9 - DRAWER BACKBOARD x4

HARDWARE REQUIRED

SC18  16

TOOLS REQUIRED



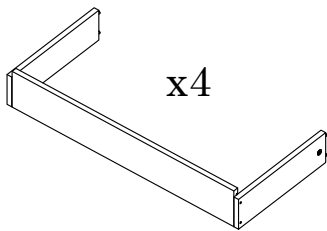
STEP 10

PARTS REQUIRED

4 - DRAWER FRONT PANEL x4

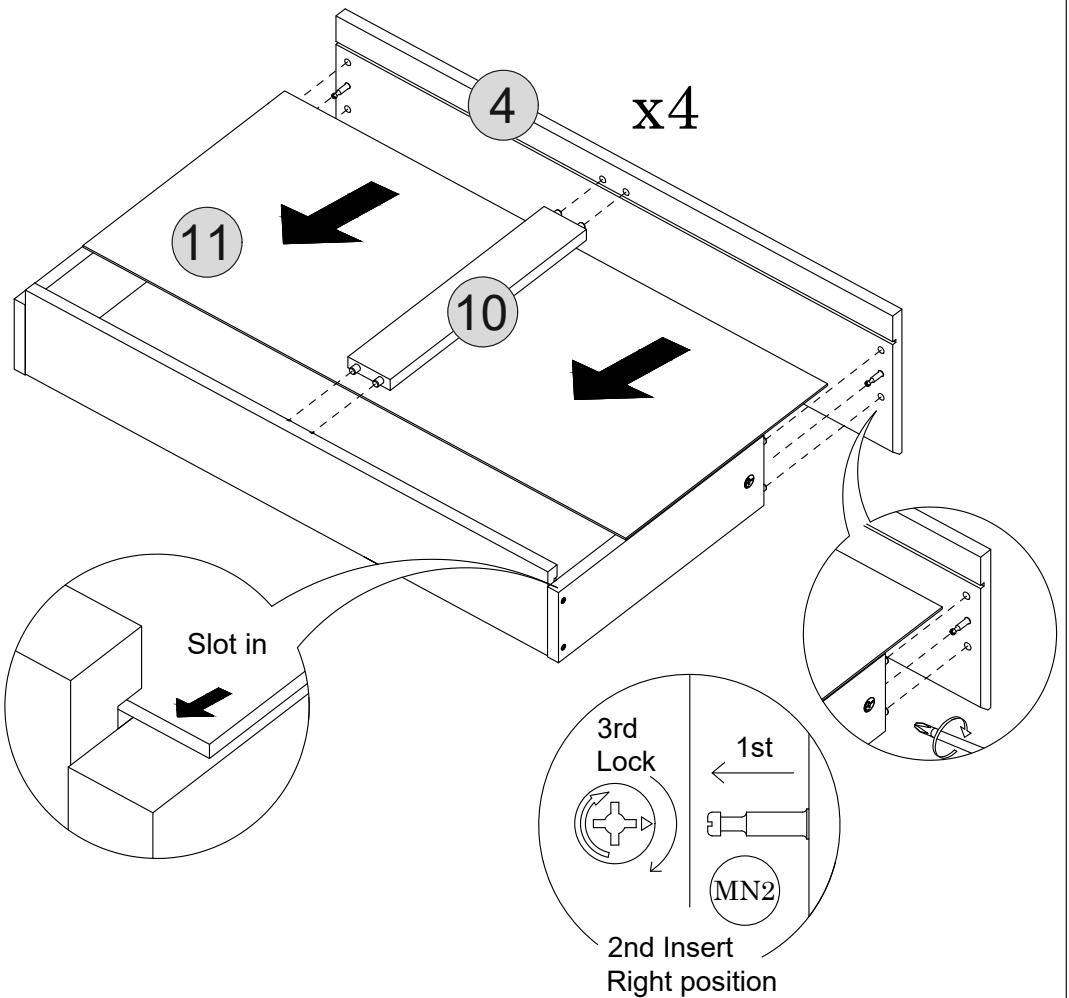
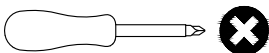
10 - DRAWER CROSSBAR x4

11 - DRAWER BASE x4



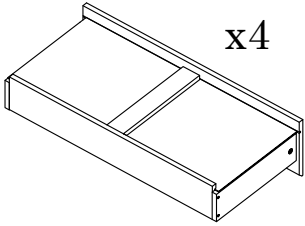
HARDWARE REQUIRED

TOOLS REQUIRED

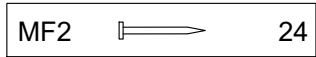


STEP 11

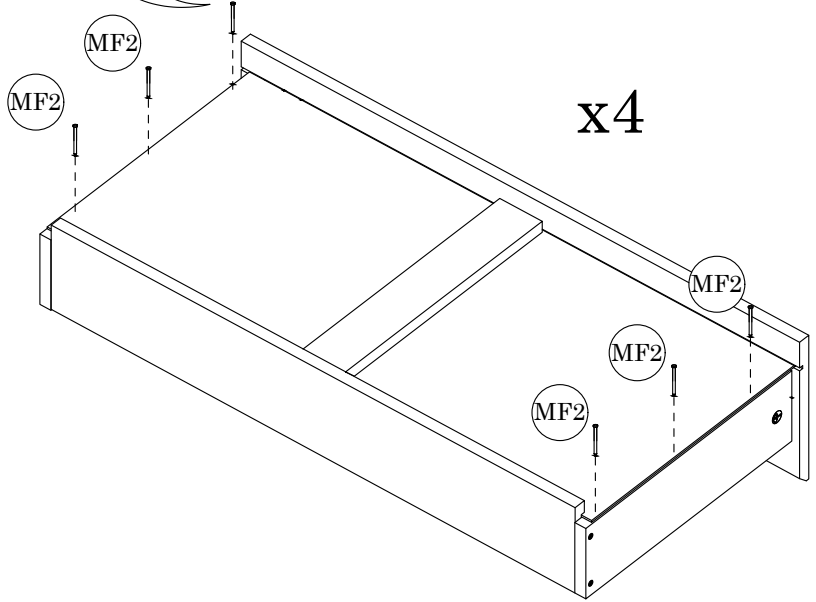
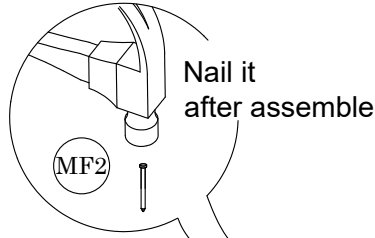
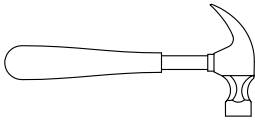
PARTS REQUIRED



HARDWARE REQUIRED

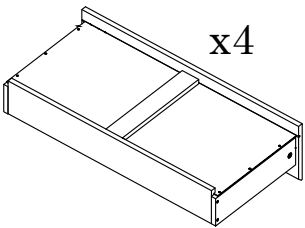


TOOLS REQUIRED

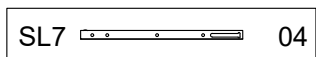
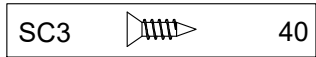


STEP 12

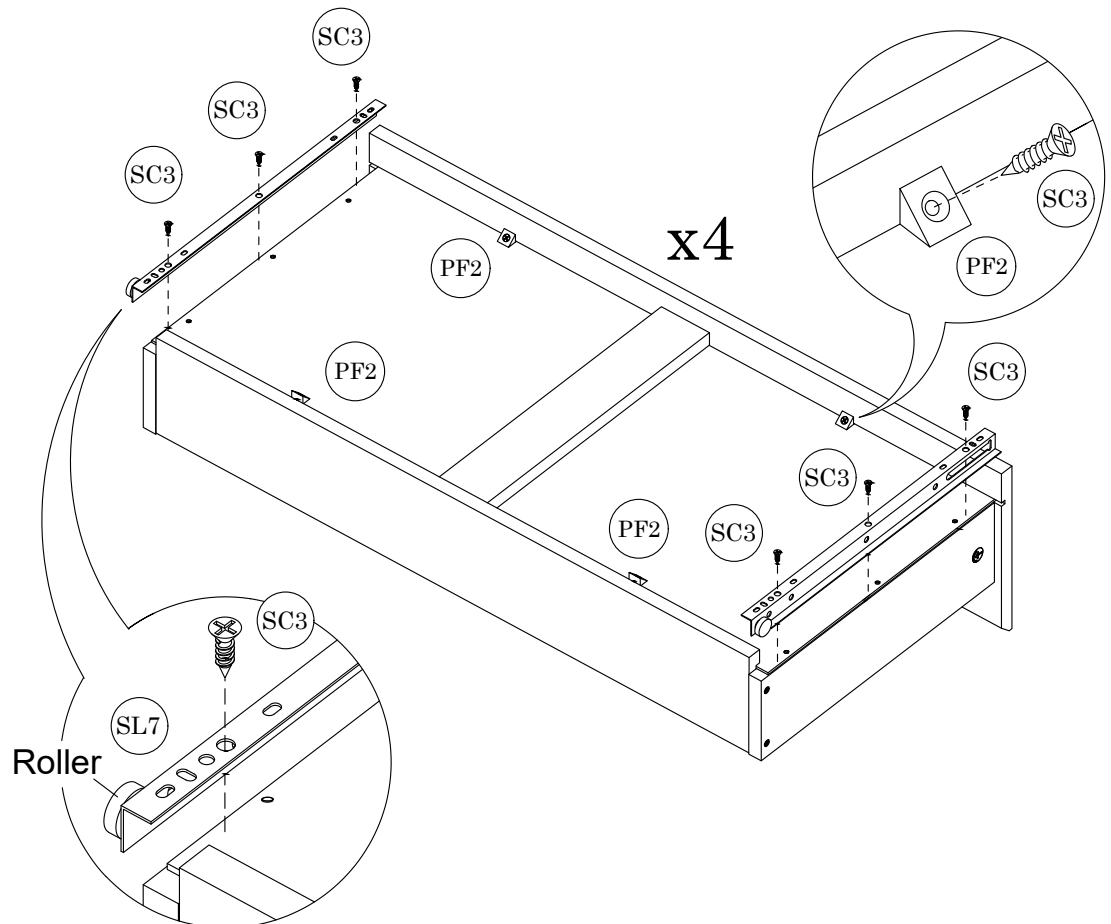
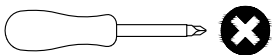
PARTS REQUIRED



HARDWARE REQUIRED

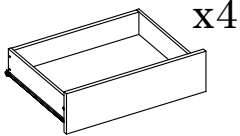
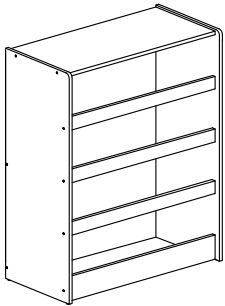


TOOLS REQUIRED



STEP 13

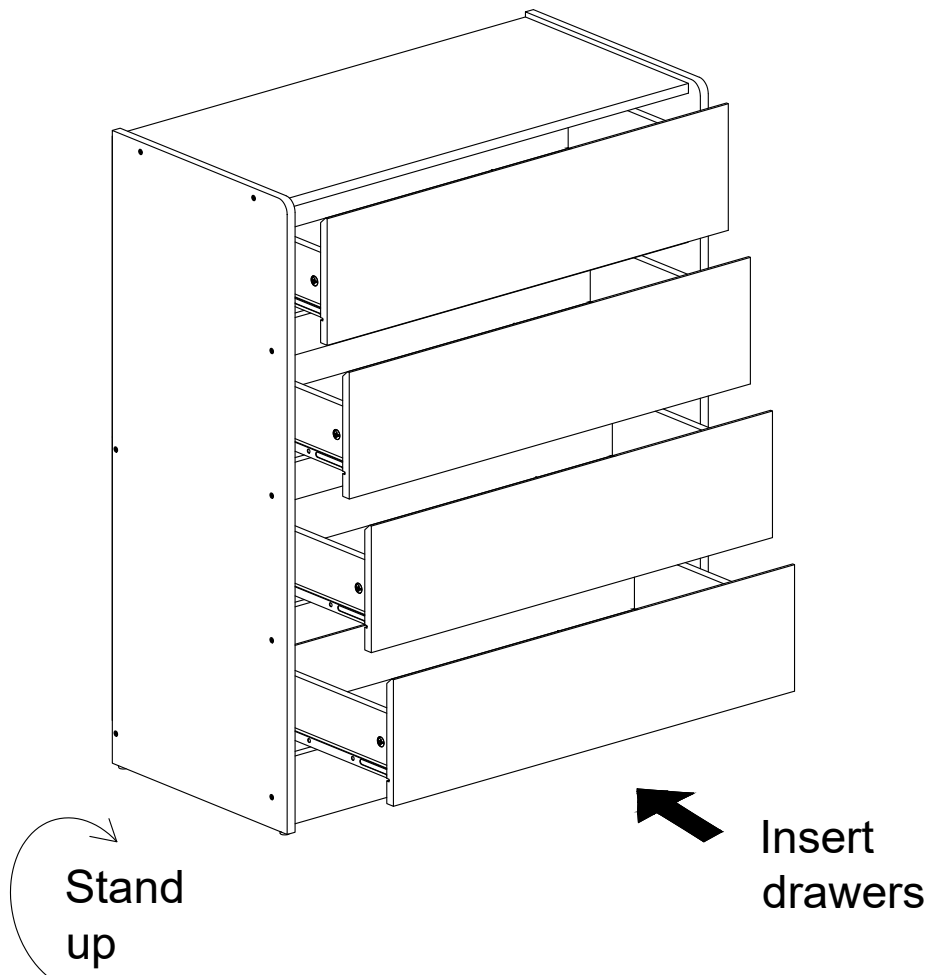
PARTS REQUIRED



x4

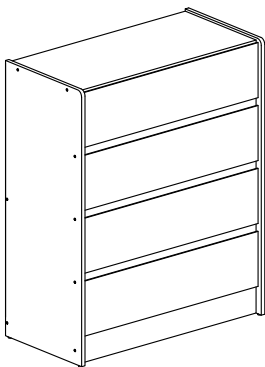
HARDWARE REQUIRED

TOOLS REQUIRED



STEP 14

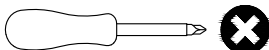
PARTS REQUIRED



HARDWARE REQUIRED

SS3  02

TOOLS REQUIRED



WARNING

Serious or fatal injuries can occur from furniture tipping over. To prevent the furniture from tipping over we recommend that it is permanently fixed to the wall.

Wall Fixings are not supplied with this product as different wall materials require different types of fixing devices. Please make sure you use fixings suitable for the walls in your home.

