

MODEL NAME :
BELLINGHAM 1 DRAWER BEDSIDE CABINET

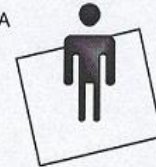
60min

APPROXIMATE ASSEMBLY TIME



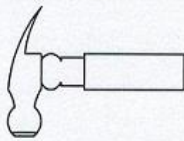
1 PERSON FOR ASSEMBLY

FLOOR AREA
 1.0M X 1.0M

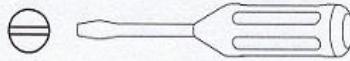


REQUIRED ASSEMBLY SPACE

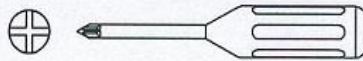
REQUIRED ASSEMBLY TOOLS



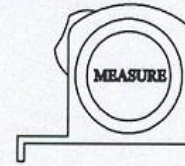
HAMMER



FLAT HEAD SCREWDRIVER

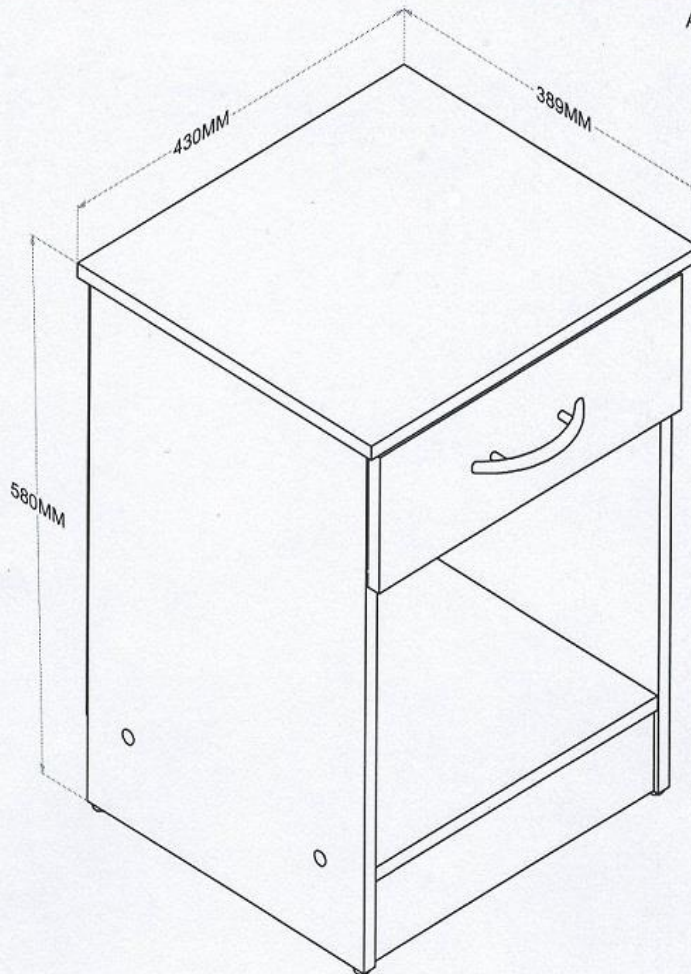


POZI SCREWDRIVER



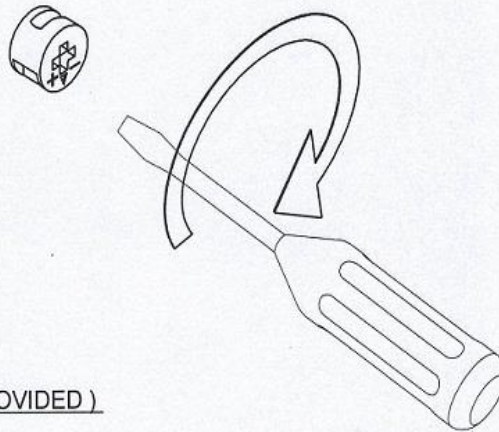
MEASURING TAPE

ASSEMBLED DIMENSIONS



FOR DOMESTIC USE ONLY

NOTE : THE MAXIMUM WEIGHT THIS PRODUCT CAN HOLD UP TO 25 KGS.

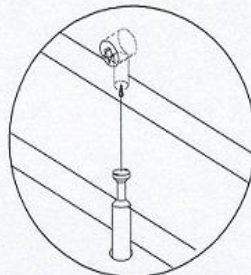
MODEL NAME:**BELLINGHAM 1 DRAWER BEDSIDE CABINET**

(SCREWDRIVER NOT PROVIDED)

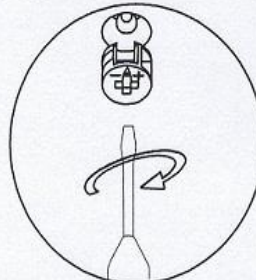
USE A FLAT HEAD SCREWDRIVER TO TIGHTEN THE CAM NUTS. A QUARTER TURN CLOCKWISE IS ALL THAT IS NEEDED.



STEP 1 - THREAD CAM BOLT INTO INSERT AND TIGHTEN WITH FINGER.



STEP 2 - ALIGN THE CAM BOLT WITH THE HOLE AND PUSH TOGETHER UNTIL FLUSH. (MAKE SURE THE ARROW OF CAM LOCK IS POINTING TOWARD THE HOLE ON EDGE OF PANEL.)



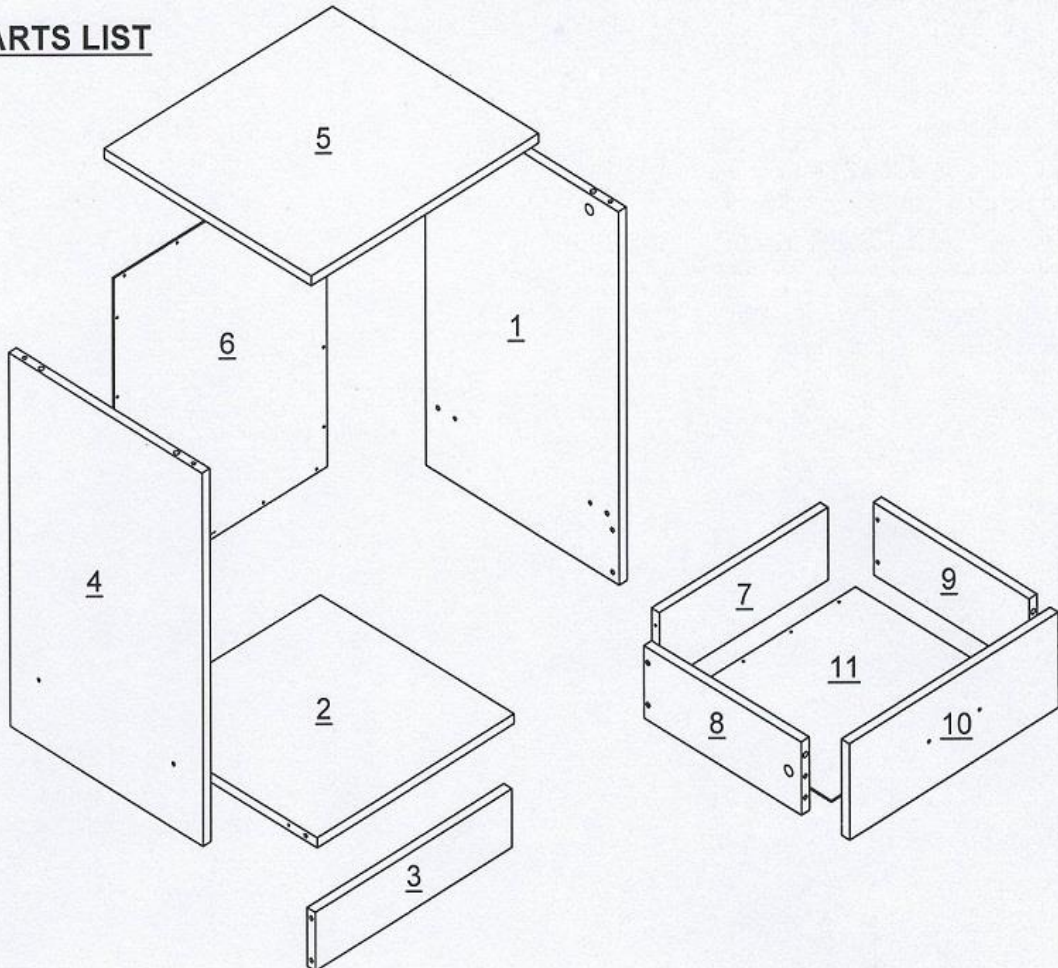
STEP 3 - THE HEAD OF THE BOLT GOES INTO THE WIDE MOUTH OF THE CAM LOCK. YOU THEN TURN THE LOCK SO THE NARROW PART CLOSES OVER THE BOLT.

MODEL NAME:

BELLINGHAM 1 DRAWER BEDSIDE CABINET


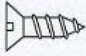


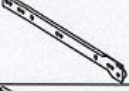



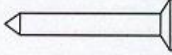
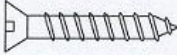
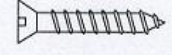

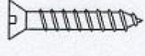

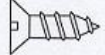
NO	PART LIST	QTY	NO	PART LIST	QTY
(1)	RIGHT SIDE PANEL	1	(7)	DRAWER BACK PANEL	1
(2)	BASE PANEL	1	(8)	DRAWER LEFT SIDE PANEL	1
(3)	CROSSBAR	1	(9)	DRAWER RIGHT SIDE PANEL	1
(4)	LEFT SIDE PANEL	1	(10)	DRAWER BOTTOM PANEL	1
(5)	TOP PANEL	1	(11)	DRAWER FRONT PANEL	1
(6)	BACK PANEL	1			

PARTS LIST



MODEL NAME:

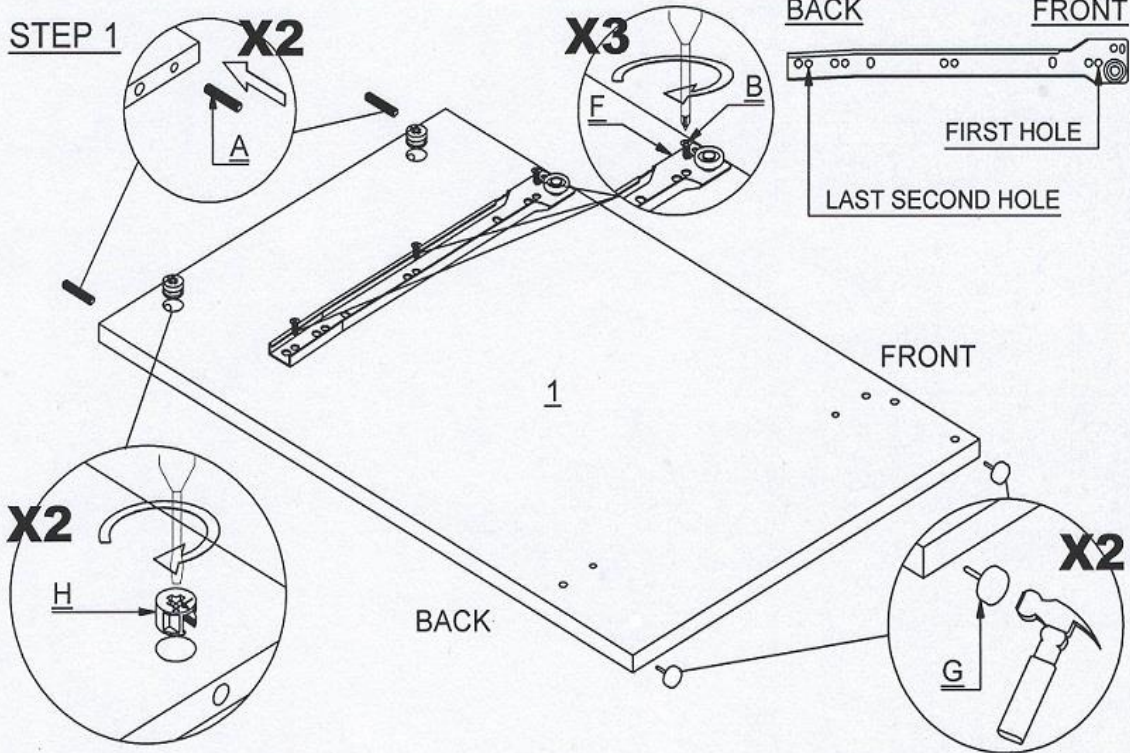
BELLINGHAM 1 DRAWER BEDSIDE CABINET**HARDWARE LIST**

A		DOWEL 6 X 30MM	16 PCS
B		SCREW M3.5 X 12MM	6 PCS
C		DRAWER RUNNER (LEFT)	1 PC
D		DRAWER RUNNER (RIGHT)	1 PC
E		DRAWER RUNNER TRACK (LEFT)	1 PC
F		DRAWER RUNNER TRACK (RIGHT)	1 PC
G		PLASTIC FOOT	4 PCS
H		CAM BOLT + LOCK	6 SETS
I		TACK	20 PCS
J		SCREW M4 X 50MM	4 PCS
K		SCREW M4 X 38MM	4 PCS
L		HANDLE	1 PC
M		HANDLE SCREW M4 X 25MM	2 PCS
N		PLASTIC SCREW COVER	4 PCS
O		SCREW M3.5 X 16MM	6 PCS

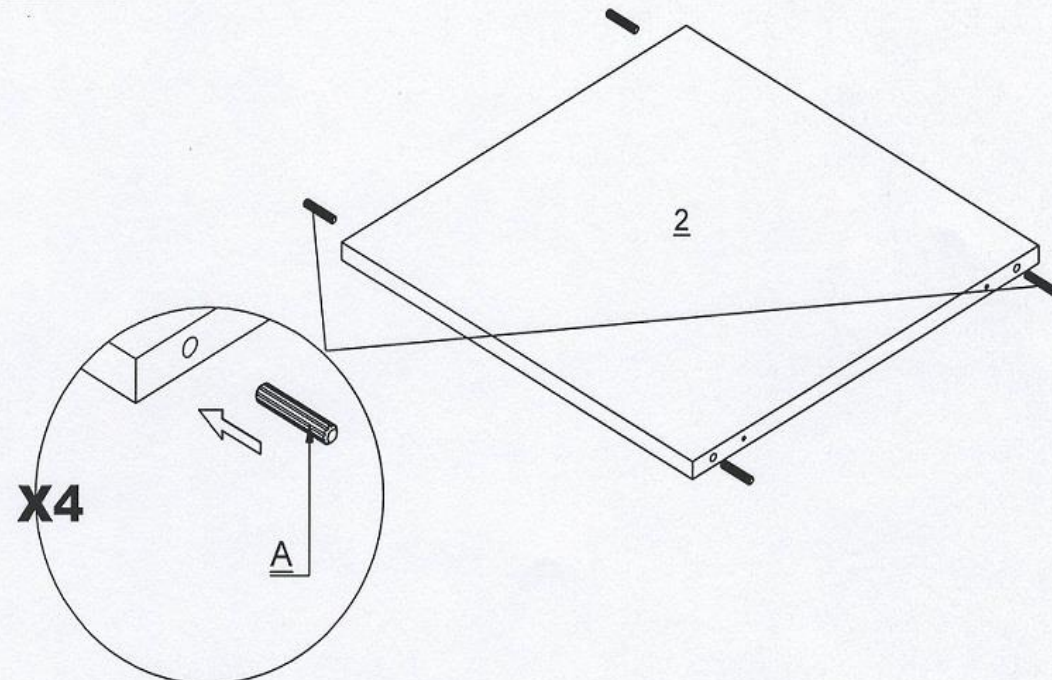
MODEL NAME:

BELLINGHAM 1 DRAWER BEDSIDE CABINET

STEP 1



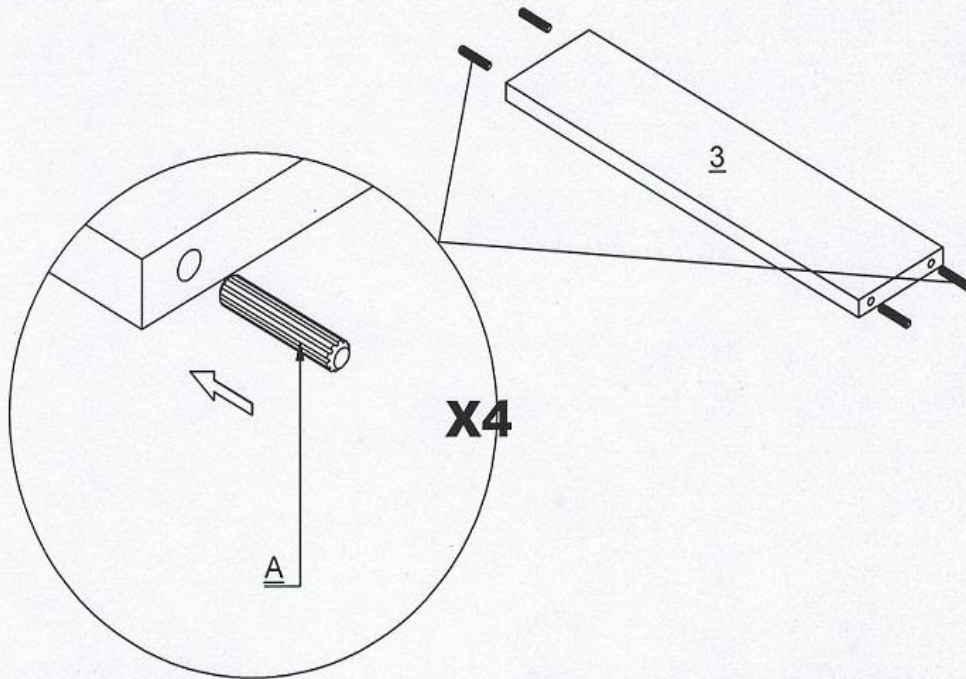
STEP 2



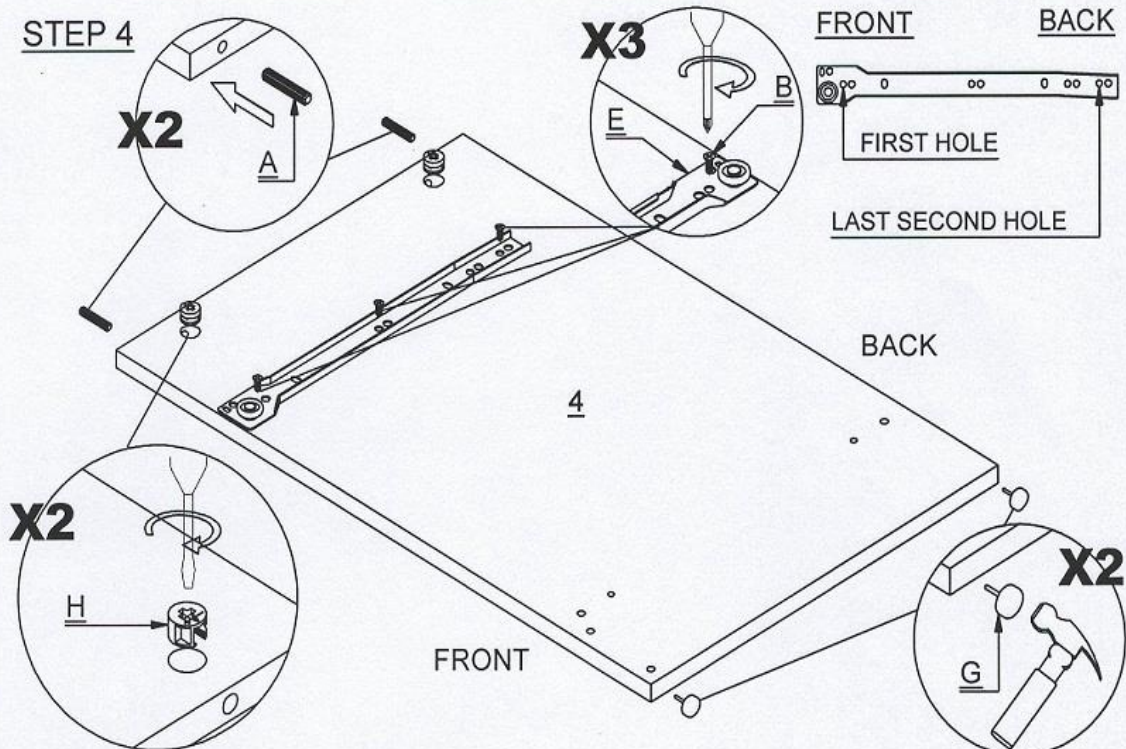
MODEL NAME:

BELLINGHAM 1 DRAWER BEDSIDE CABINET

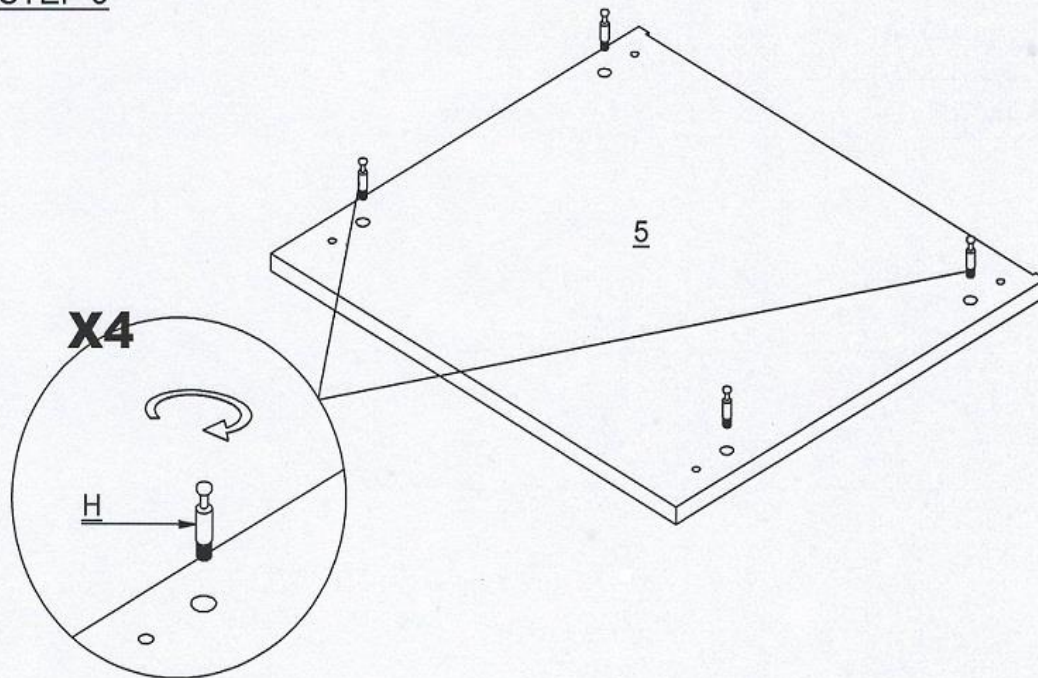
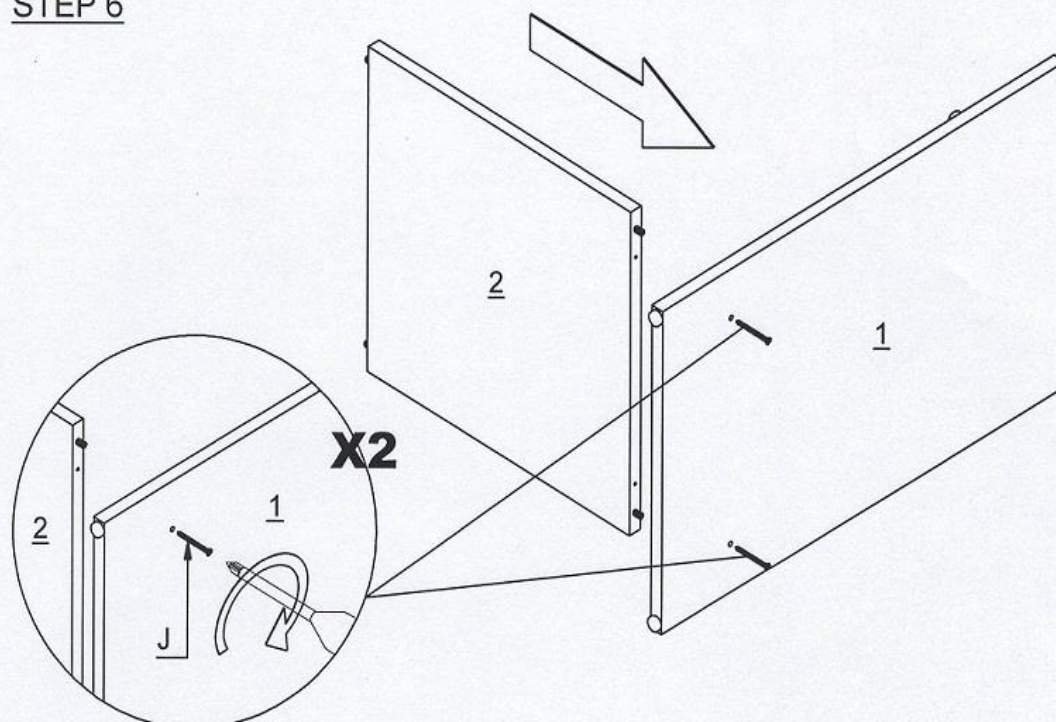
STEP 3



STEP 4



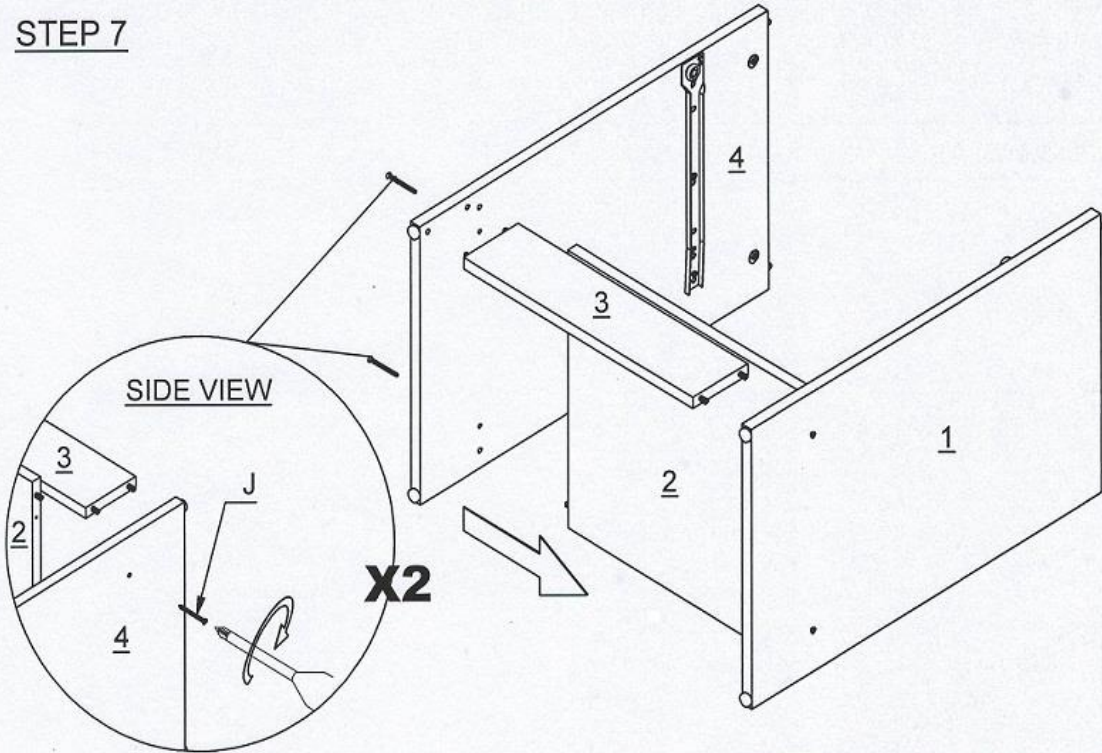
MODEL NAME:

BELLINGHAM 1 DRAWER BEDSIDE CABINETSTEP 5STEP 6

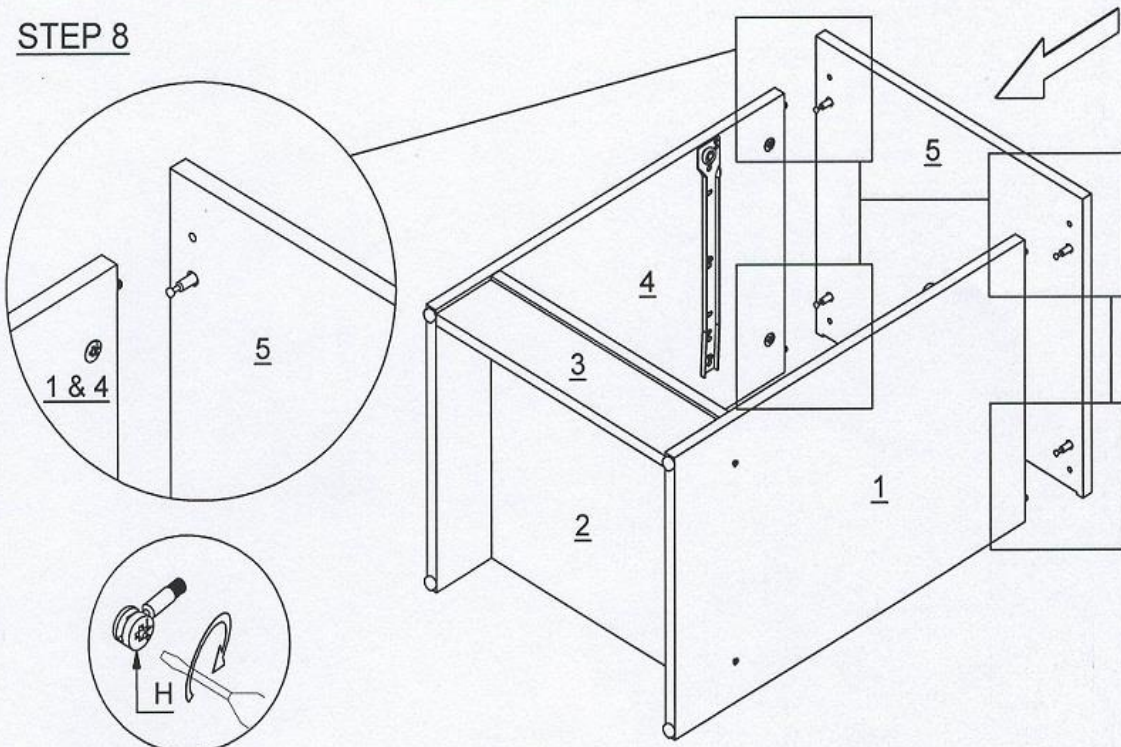
MODEL NAME:

BELLINGHAM 1 DRAWER BEDSIDE CABINET

STEP 7



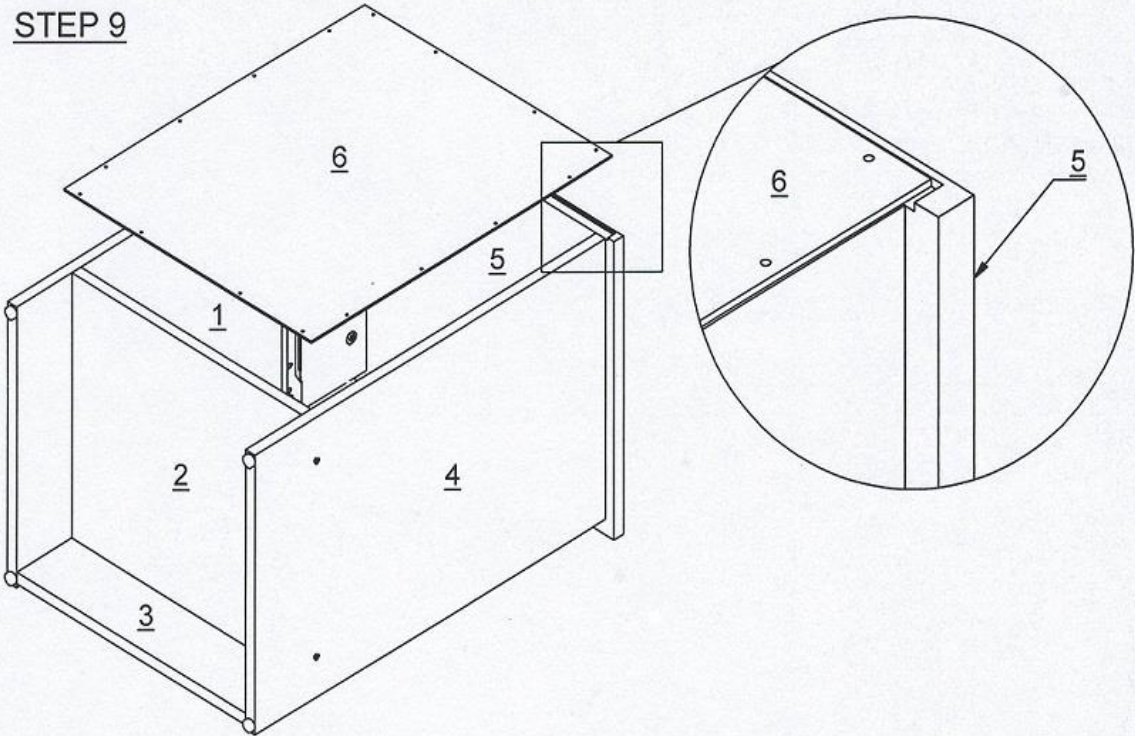
STEP 8



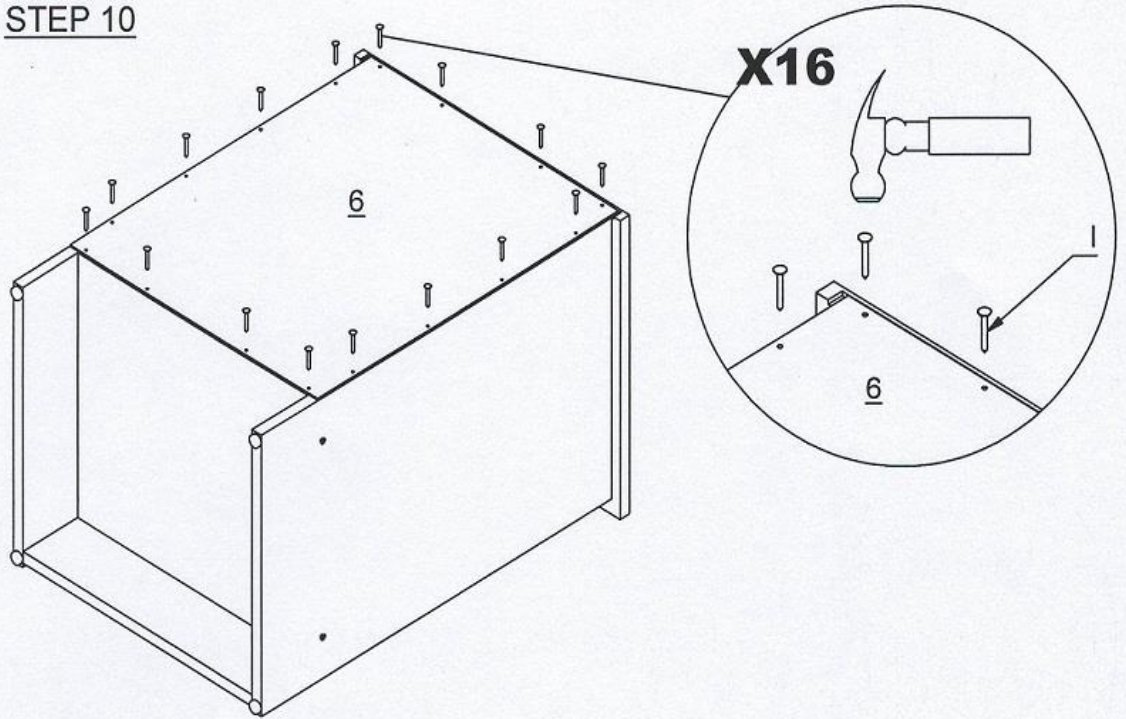
MODEL NAME:

BELLINGHAM 1 DRAWER BEDSIDE CABINET

STEP 9



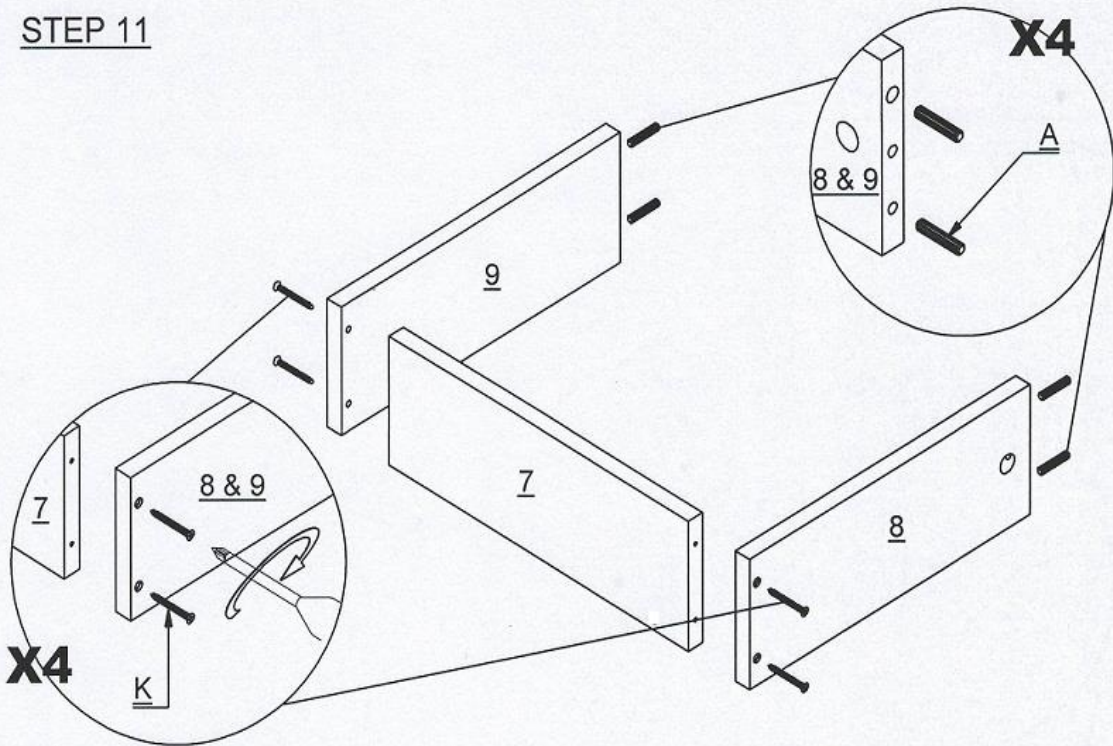
STEP 10



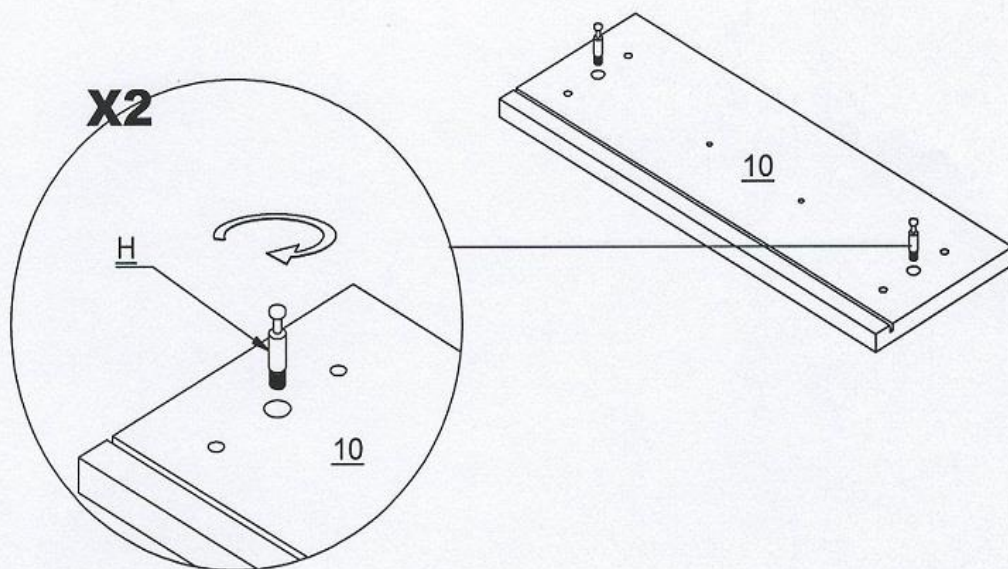
MODEL NAME:

BELLINGHAM 1 DRAWER BEDSIDE CABINET

STEP 11



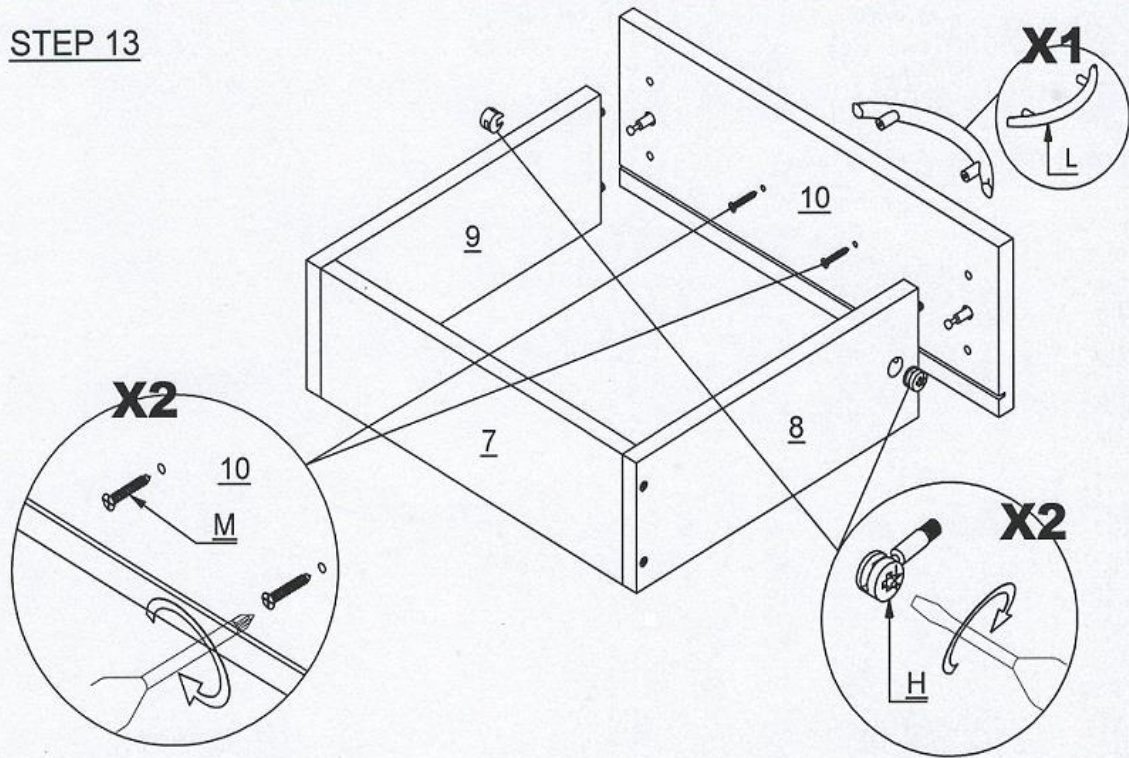
STEP 12



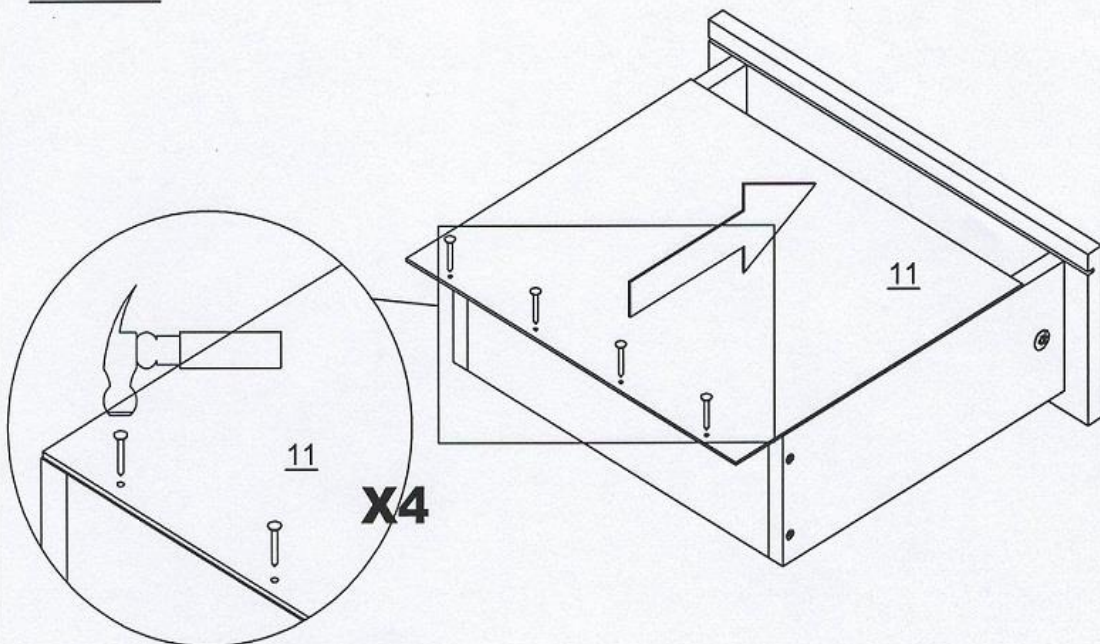
MODEL NAME:

BELLINGHAM 1 DRAWER BEDSIDE CABINET

STEP 13



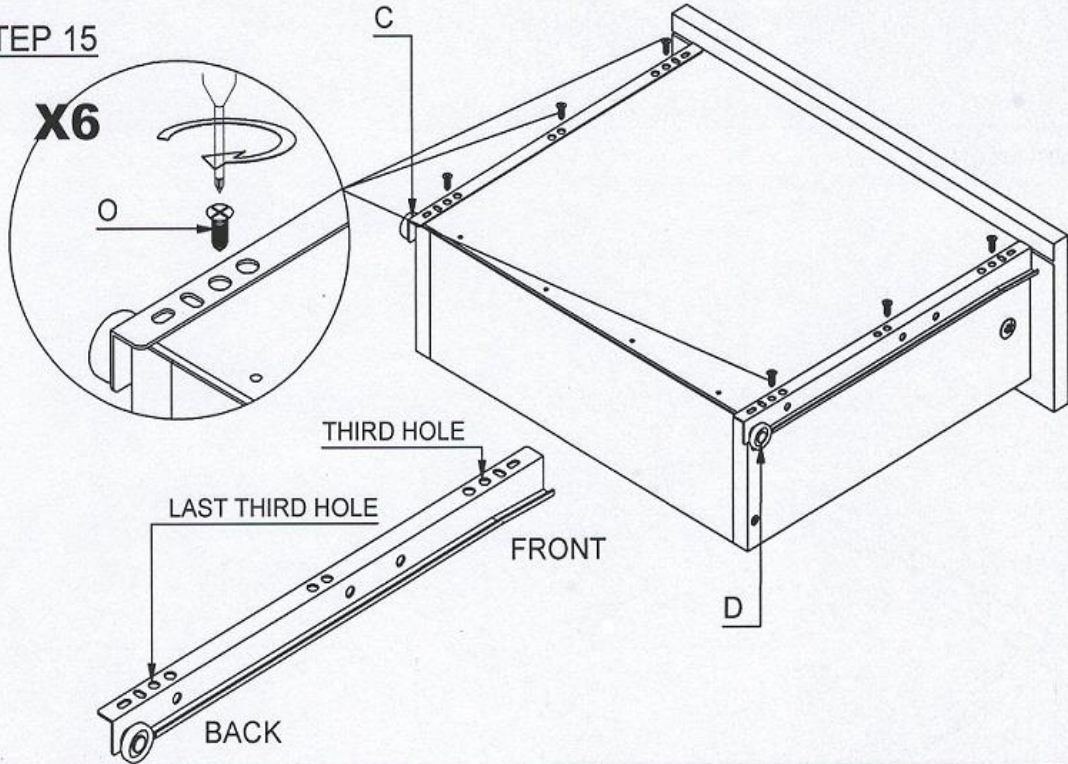
STEP 14



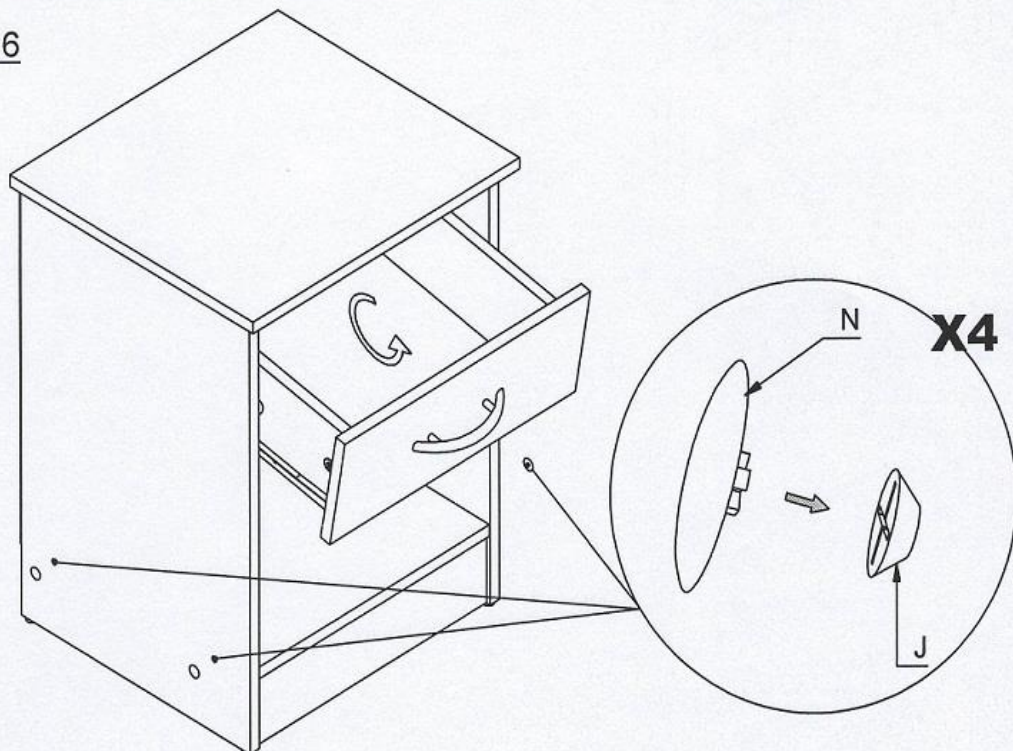
MODEL NAME:

BELLINGHAM 1 DRAWER BEDSIDE CABINET

STEP 15



STEP 16



MODEL NAME:

BELLINGHAM 1 DRAWER BEDSIDE CABINET

STEP 17

