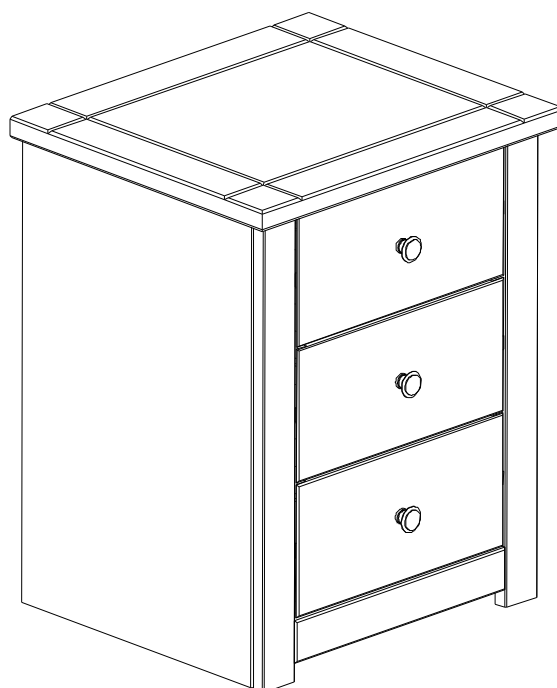


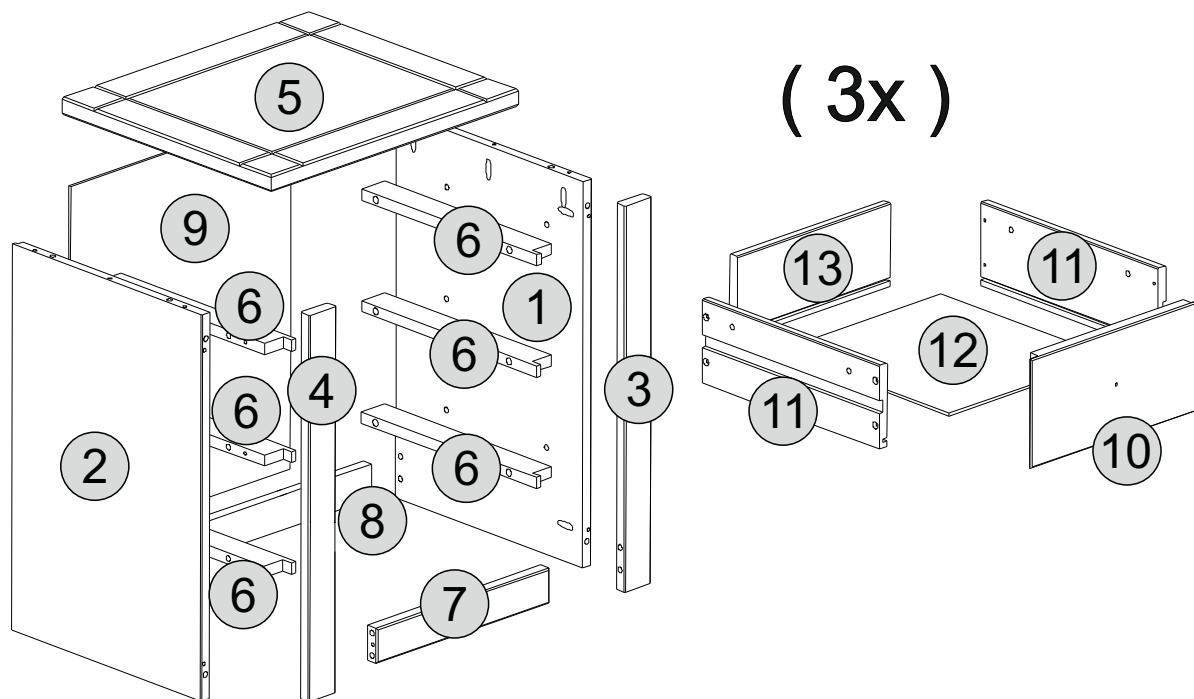
PANAMA 3 DRAWER BEDSIDE ASSEMBLY INSTRUCTIONS



IMPORTANT PLEASE READ BEFORE YOU CONTINUE FURTHER **FOR DOMESTIC USE ONLY** **CARE AND MAINTENANCE**

After unpacking this product please keep the original packaging in case it needs to be returned for any reason.

- Please ensure all fittings and parts are present before commencing with assembly.
- We recommend that you lay a blanket or sheet on the floor to avoid damage to both your floor and the product.
- We strongly recommend that you keep children away from your work area.
- Assemble this product as close to its final position as possible.
- Never drag or push products as this could cause damage to the joints making it inferior.
- Do not place this product next to a radiator or in direct sunlight.
- Wood is a natural product and may expand if subjected to damp and may shrink or crack if subjected to heat. Therefore it is recommended that room temperature is maintained, with no sudden temperature fluctuations.
- Make sure any spillage is wiped off immediately.
- Do not place hot or chilled items directly on to the surface, use a place mat or marking will occur.
- For general cleaning use a duster, and do not use detergents of any kind. However, the surface will need to be retreated from time to time. This can be done by using block wax (unperfumed) and rubbing it over the whole item.
- From time to time it may be necessary to tighten fittings, regular inspections should be carried out.



* Use of power tools to assemble this product will invalidate any claim and damage this product making it unsafe !!!
 * Please assemble on a clean soft surface to avoid damage.


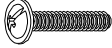

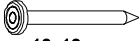


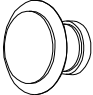


* Please check contents and read the instructions before commencing assembly.
 * Assemble this product following the enclosed instructions carefully.
 * Please take care to avoid damaging panels during assembly.

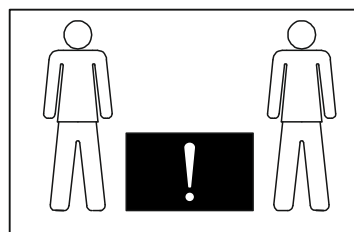
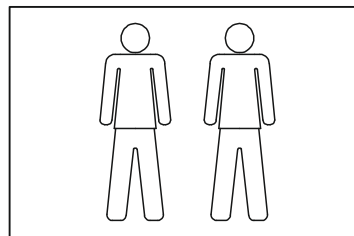
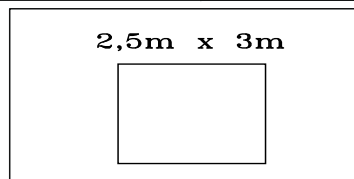
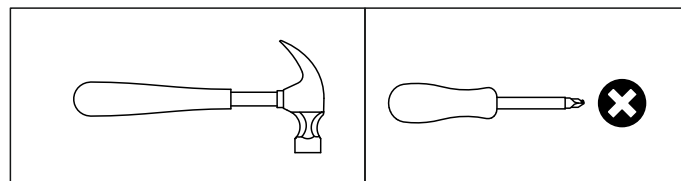
PARTS LIST

Part Number	Part Code	Part Description	Quantity	Carton
1	S100-103-021-PJ1-01	Right Side Panel	1	1/1
2	S100-103-021-PJ1-02	Left Side Panel	1	1/1
3	S100-103-021-PJ1-03	Right Front Upright	1	1/1
4	S100-103-021-PJ1-04	Left Front Upright	1	1/1
5	S100-103-021-PJ1-05	Top Panel	1	1/1
6	S100-103-021-PJ1-06	Drawer Runner	6	1/1
7	S100-103-021-PJ1-07	Front Crossbeam	1	1/1
8	S100-103-021-PJ1-08	Back Crossbeam	1	1/1
9	S100-103-021-PJ1-09	Back Panel	1	1/1
10	S100-103-021-PJ1-10	Drawer Front	3	1/1
11	S100-103-021-PJ1-11	Drawer Side	6	1/1
12	S100-103-021-PJ1-12	Drawer Bottom	3	1/1
13	S100-103-021-PJ1-13	Drawer Back	3	1/1

FITTINGS

A	 Ø 8 x 30mm	34	E	 M4 x 25mm	03
B	 Ø 3,5 x 30mm	26	F	 10x10mm	07
C	 Ø 3,0 x 30mm	24	G	 Ø 3,5 x 16mm	03
D		03			

TOOLS REQUIRED



STEP 1


PARTS REQUIRED

6 - DRAWER RUNNER x6

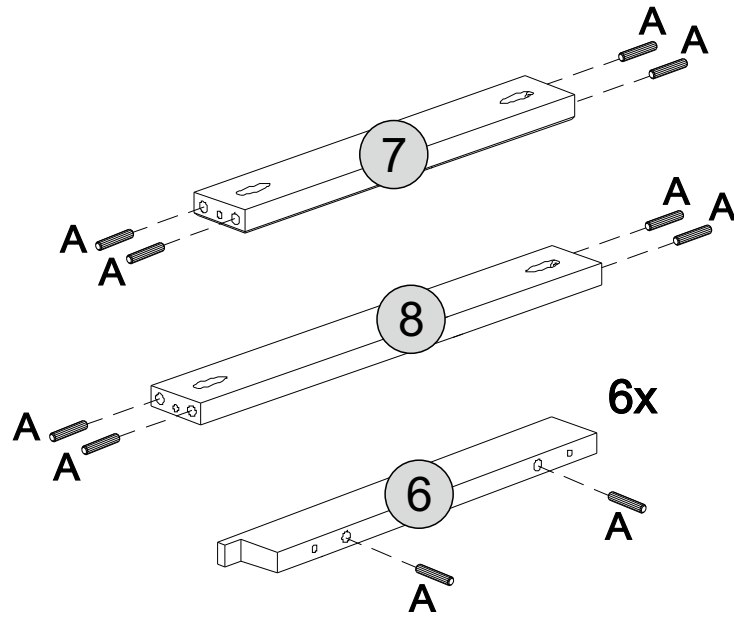
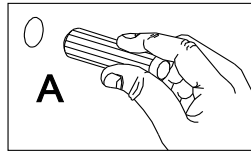
7 - FRONT CROSSBEAM x1

8 - BACK CROSSBEAM x1

HARDWARE REQUIRED

A  20
Ø 8 x 30mm

TOOLS REQUIRED



Please assemble on a clean soft surface to avoid damage.

STEP 2

PARTS REQUIRED

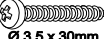
1 - RIGHT SIDE PANEL x1

2 - LEFT SIDE PANEL x1

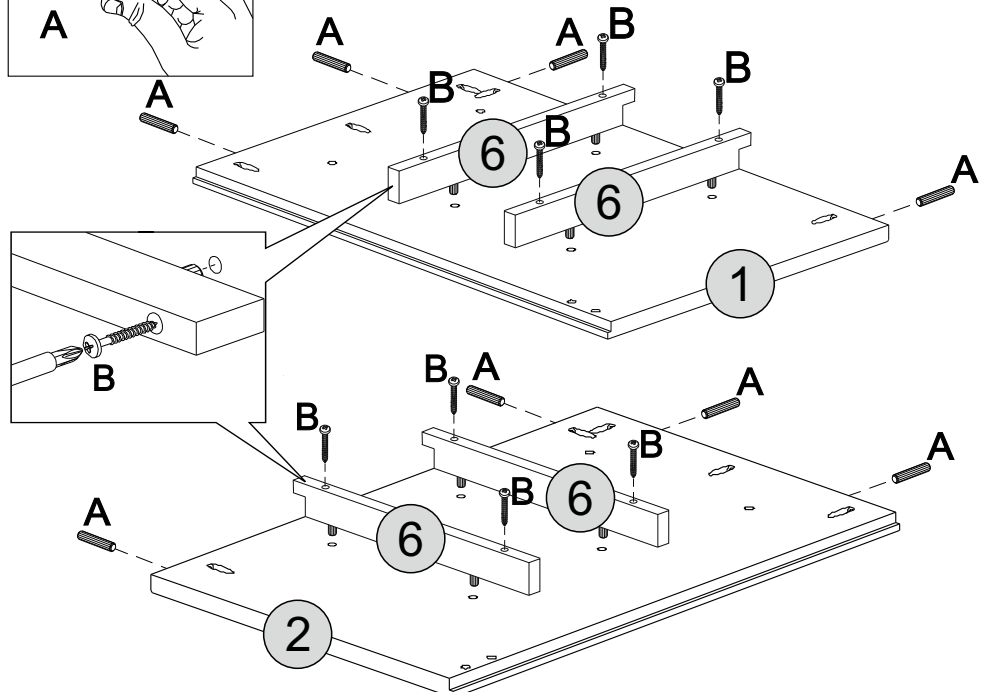
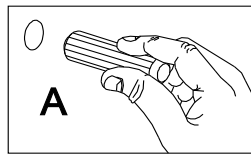
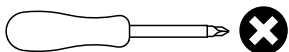
6 - DRAWER RUNNER x4

HARDWARE REQUIRED

A  08
Ø 8 x 30mm

B  08
Ø 3,5 x 30mm

TOOLS REQUIRED



Please assemble on a clean soft surface to avoid damage.

STEP 3

PARTS REQUIRED

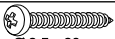
1 - RIGHT SIDE PANEL x1

2 - LEFT SIDE PANEL x1

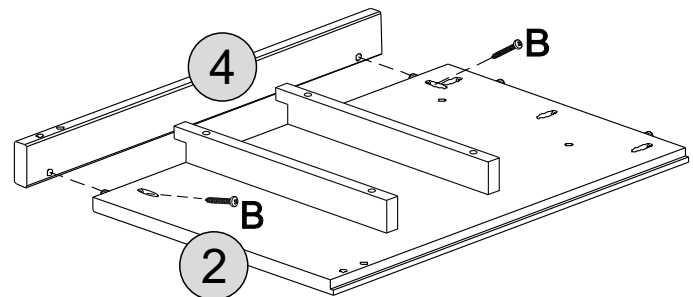
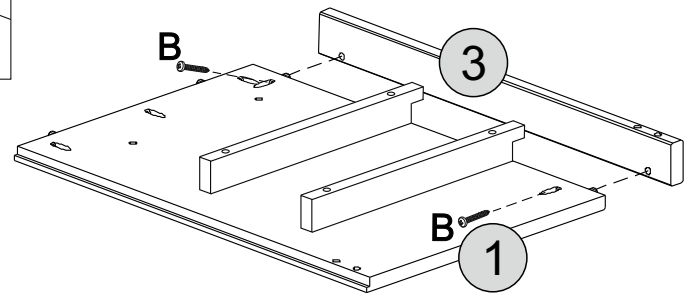
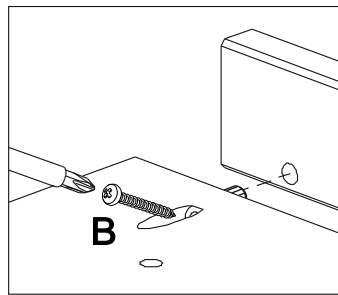
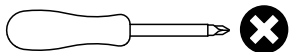
3 - RIGHT FRONT UPRIGHT x1

4 - LEFT FRONT UPRIGHT x1

HARDWARE REQUIRED

B  04
Ø 3,5 x 30mm

TOOLS REQUIRED



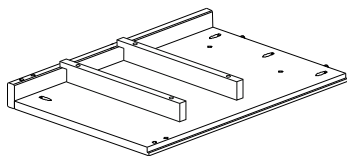
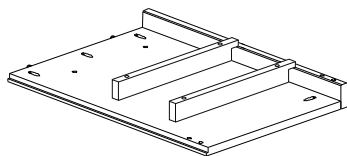
 Please assemble on a clean soft surface to avoid damage.

STEP 4

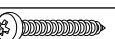
PARTS REQUIRED

7 - FRONT CROSSBEAM x1

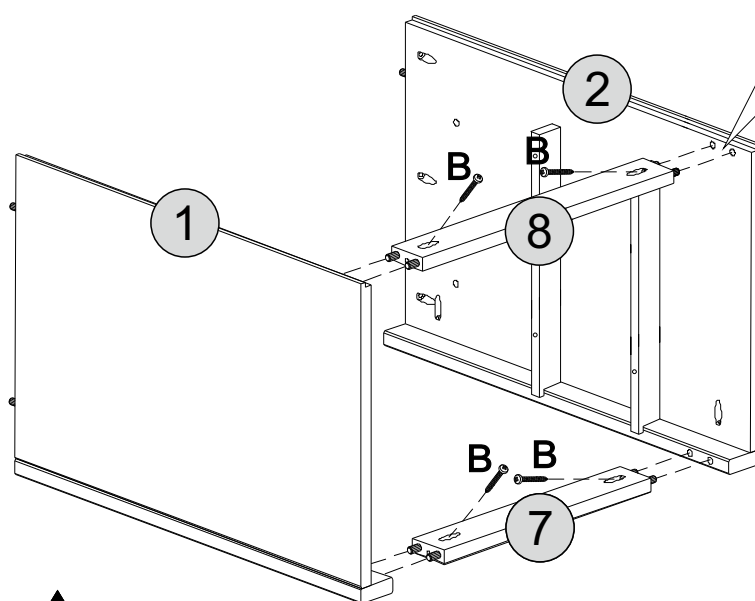
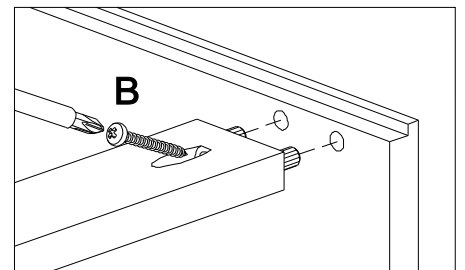
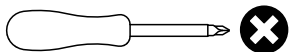
8 - BACK CROSSBEAM x1



HARDWARE REQUIRED

B  04
Ø 3,5 x 30mm

TOOLS REQUIRED

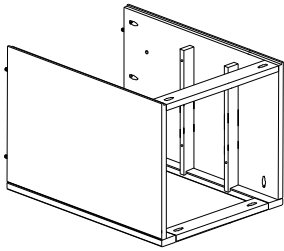


 Please assemble on a clean soft surface to avoid damage.

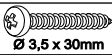
STEP 5

PARTS REQUIRED

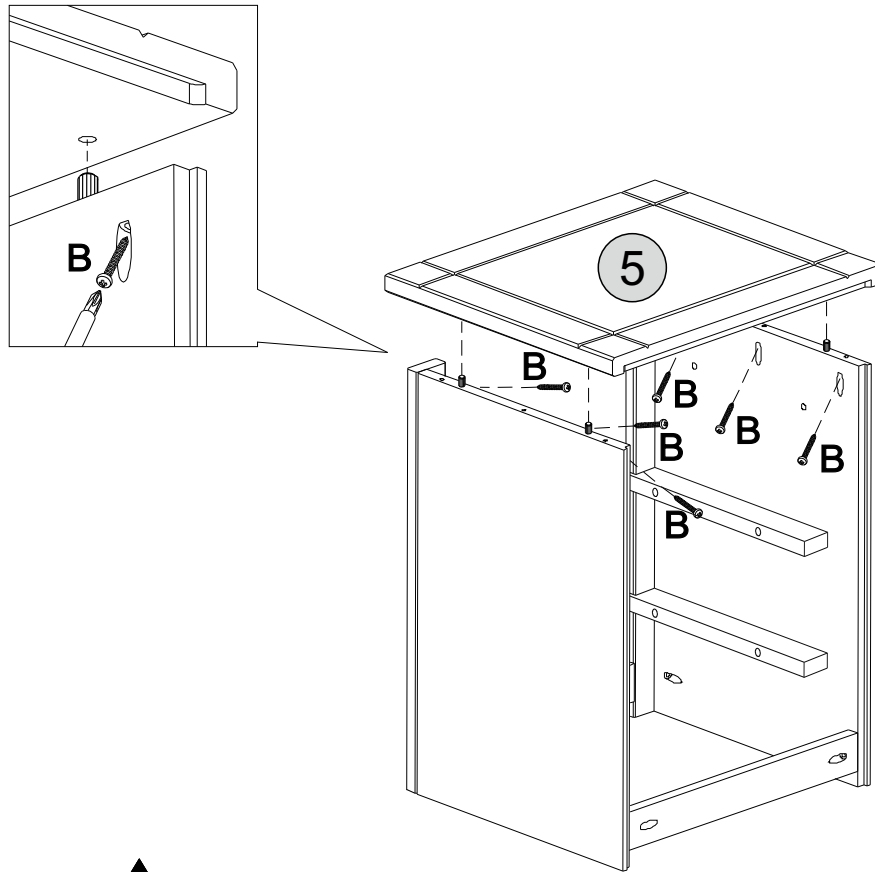
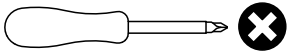
5 - TOP PANEL x1



HARDWARE REQUIRED

B  06
Ø 3,5 x 30mm

TOOLS REQUIRED

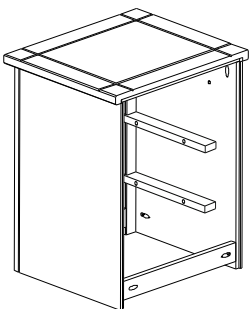


!
Please assemble on a clean soft surface to avoid damage.

STEP 6

PARTS REQUIRED

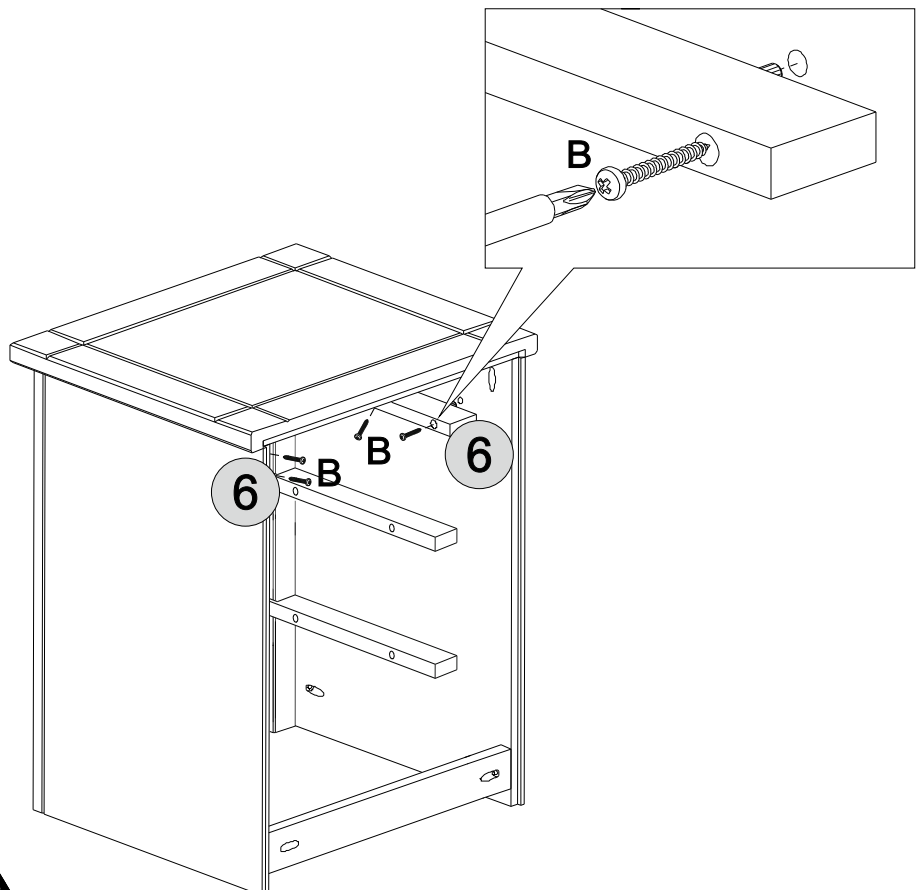
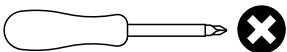
6 - DRAWER RUNNER x2



HARDWARE REQUIRED

B  04
Ø 3,5 x 30mm

TOOLS REQUIRED

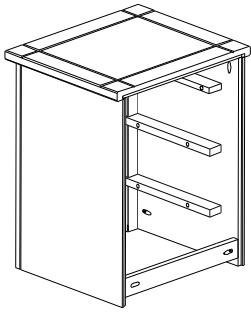


!
Please assemble on a clean soft surface to avoid damage.

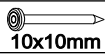
STEP 7

PARTS REQUIRED

9 - BACK PANEL x1

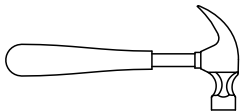
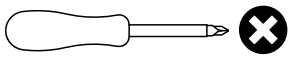


HARDWARE REQUIRED

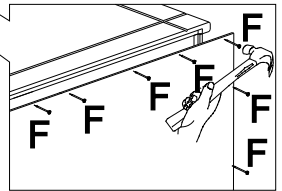
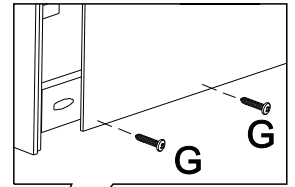
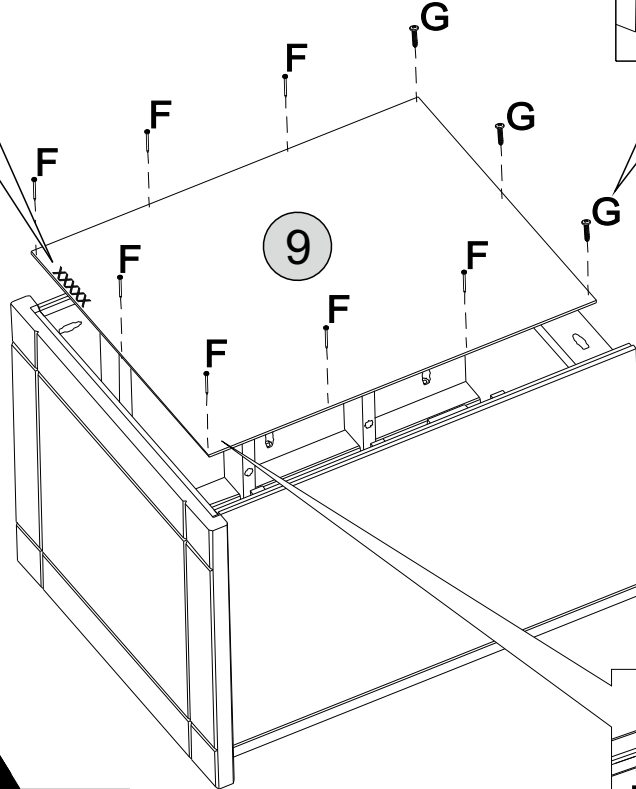
F  07
10x10mm

G  03
Ø 3,5 x 16mm

TOOLS REQUIRED



For your future reference order number should be here



 Please assemble on a clean soft surface to avoid damage.

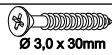
STEP 8

PARTS REQUIRED

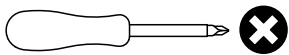
10 - DRAWER FRONT x3

11 - DRAWER SIDE x6

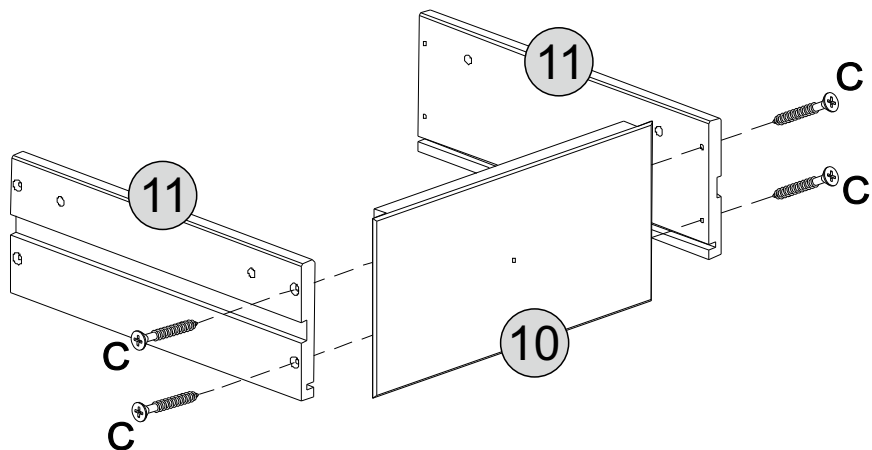
HARDWARE REQUIRED

C  12
Ø 3,0 x 30mm

TOOLS REQUIRED



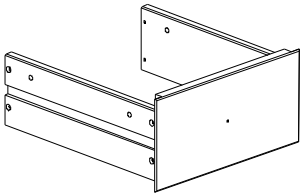
3x



 Please assemble on a clean soft surface to avoid damage.

STEP 9

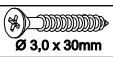
PARTS REQUIRED



12 - DRAWER BOTTOM x3

13 - DRAWER BACK x3

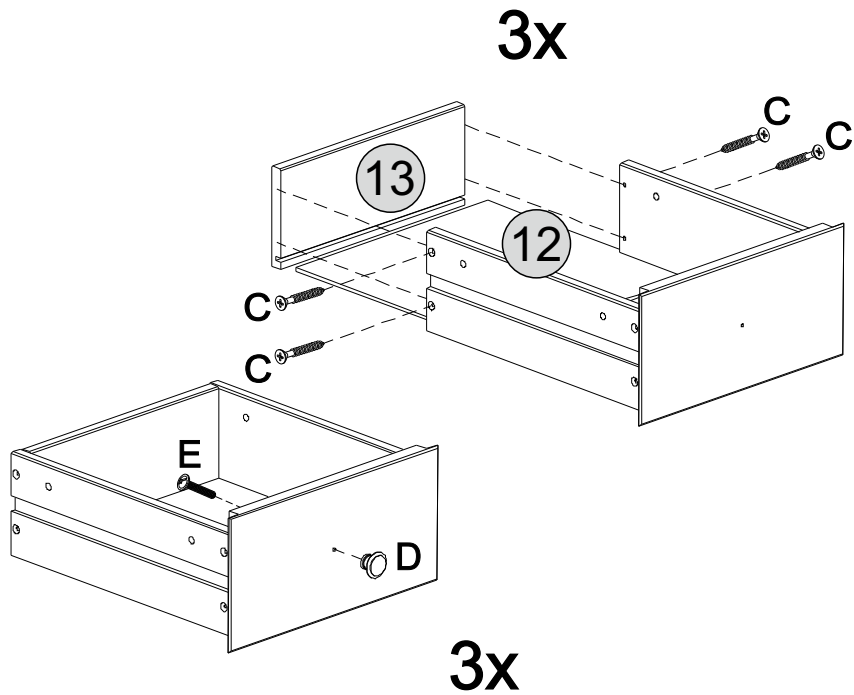
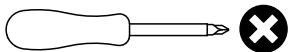
HARDWARE REQUIRED

C  12
Ø 3,0 x 30mm

D  03

E  03
M4 x 25mm

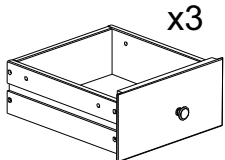
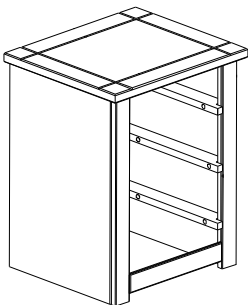
TOOLS REQUIRED




Please assemble on a clean soft surface to avoid damage.

STEP 10

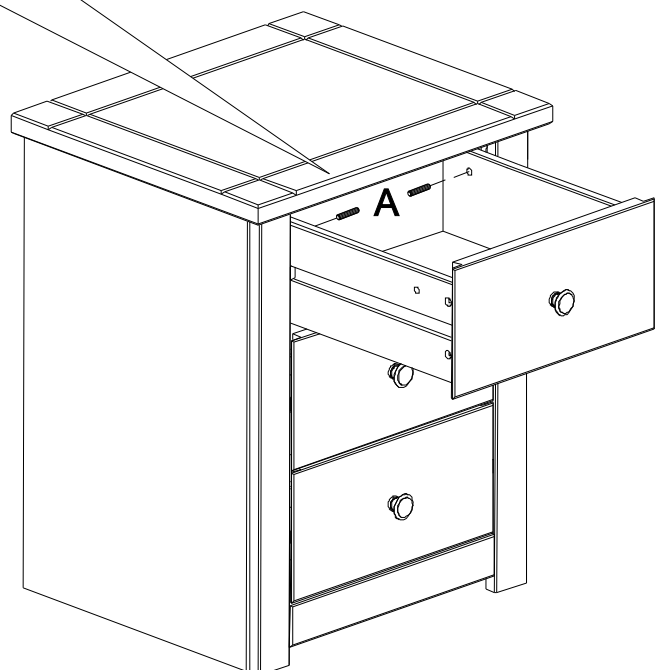
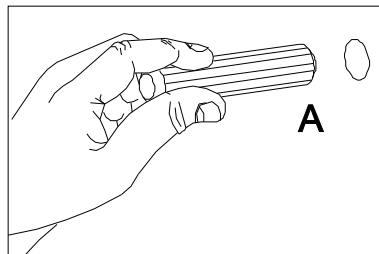
PARTS REQUIRED



HARDWARE REQUIRED

A  06
Ø 8 x 30mm

TOOLS REQUIRED




Please assemble on a clean soft surface to avoid damage.