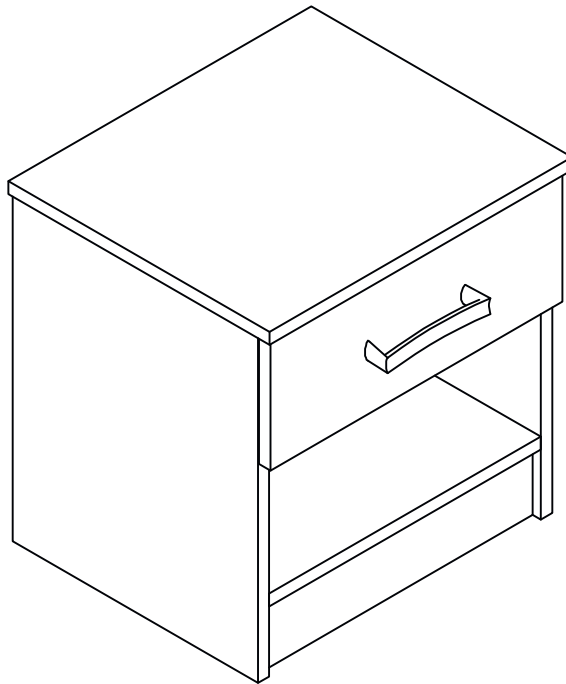


POLAR 1 DRAWER BEDSIDE ASSEMBLY INSTRUCTIONS



FOR DOMESTIC USE ONLY
IMPORTANT

PLEASE READ BEFORE YOU CONTINUE FURTHER

THE PRODUCT YOU HAVE PURCHASED WILL GIVE YOU MANY YEARS OF SERVICE IF YOU FOLLOW THE GUIDELINES FOR ITS SAFE ASSEMBLY AND PERIODIC MAINTENANCE AND CLEANING
ASSEMBLE ON A SOFT CLEAN SURFACE

DO NOT USE ANY TOOLS OTHER THAN THOSE SHOWN

ANY SPANNERS OR ALLEN KEYS REQUIRED ARE INCLUDED WITH THE FITTING KIT.

DO NOT FOR ANY REASON USE A POWER TOOL TO ASSEMBLE THIS PRODUCT. ITS USE WILL INVALIDATE ANY CLAIM YOU MAY HAVE AND COULD MAKE THIS PRODUCT UNSAFE.

DEPENDING ON THE AMOUNT OF USE THIS PRODUCT RECEIVES, IT MAY BE NECESSARY TO TIGHTEN UP THE FIXINGS FROM TIME TO TIME. THIS IS COMPLETELY NORMAL FOR ANY FLAT PACK FURNITURE. DO NOT OVERTIGHTEN FIXINGS.














FOR CLEANING, YOU MAY USE A DAMP CLOTH (NOT WET). DO NOT USE POLISH, DETERGENT OR CHEMICAL CLEANERS.

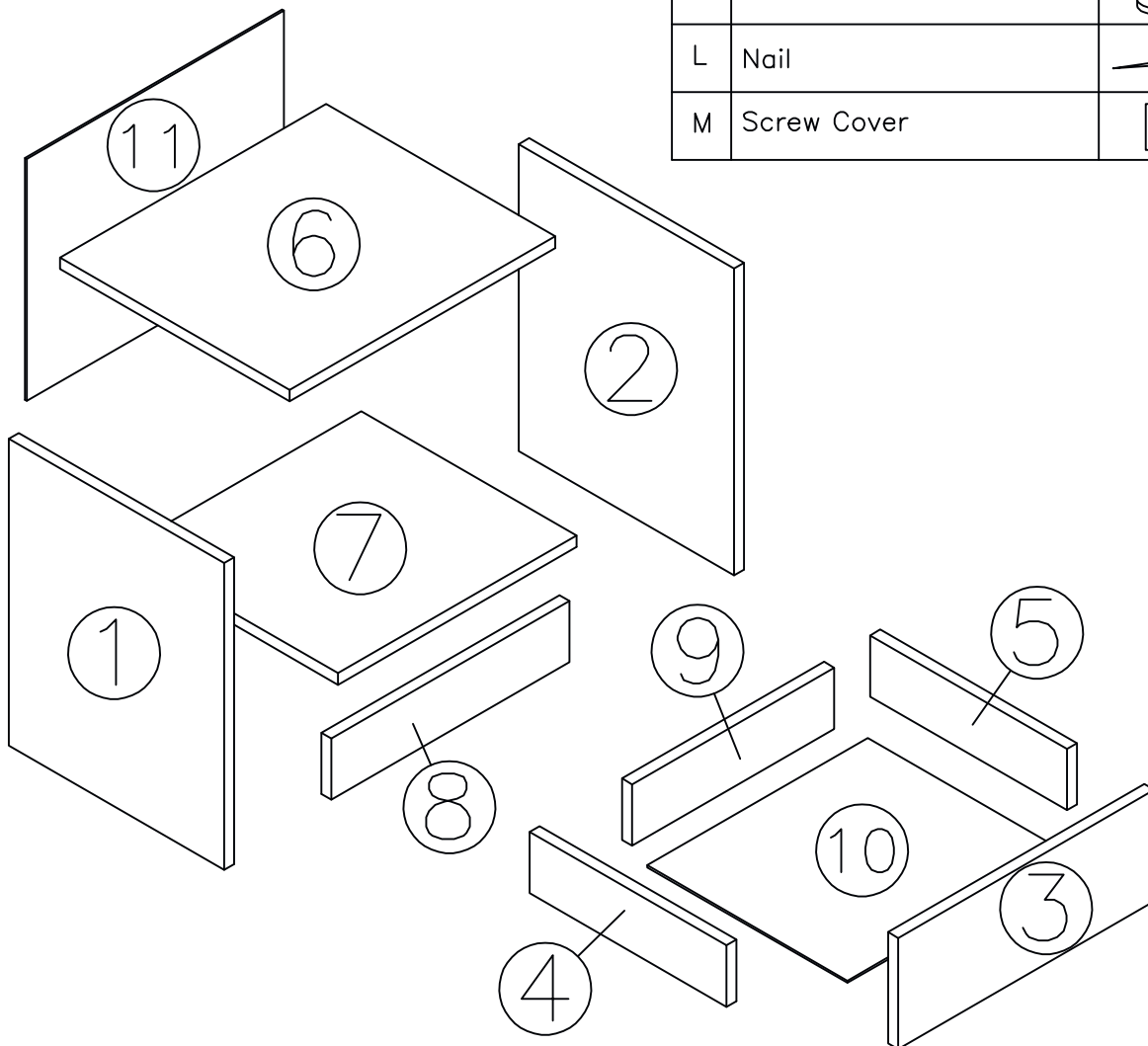
THIS SURFACE OF THIS ITEM IS NOT HEAT RESISTANT. ALWAYS USE A PLACE MAT UNDER HOT OR COLD ITEMS TO PREVENT MARKING.

PART LIST

No.	Part Name	Qty
1	Left Side Panel	x1
2	Right Side Panel	x1
3	Drawer Front	x1
4	Left Drawer Side	x1
5	Right Drawer Side	x1
6	Top Panel	x1
7	Bottom Panel	x1
8	Crossbar	x1
9	Drawer Back	x1
10	Drawer Base	x1
11	Back Panel	x1

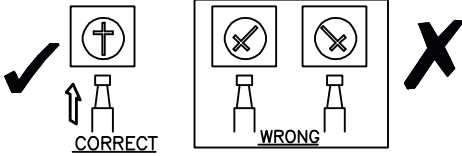
HARDWARE LIST

NO.	Hardware Name		Qty.
A	Wooden Dowel (6x25mm)		x8
B	Cam Bolt (8032T)		x6
C	Cam Nut (1510)		x6
D	45mm Screw (4x45mm)		x4
E	38mm Screw (4x38mm)		x4
F	25mm Screw (4x25mm)		x2
G	16mm Screw (3.5x16mm)		x12
H	Handle (128mm)		x1
I	12" Drawer Slide		1 Set
J	L – Bracket		x1
K	Plastic Foot		x5
L	Nail		x23
M	Screw Cover		x4

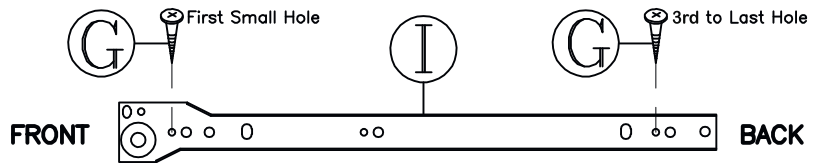


When Fitting Cams

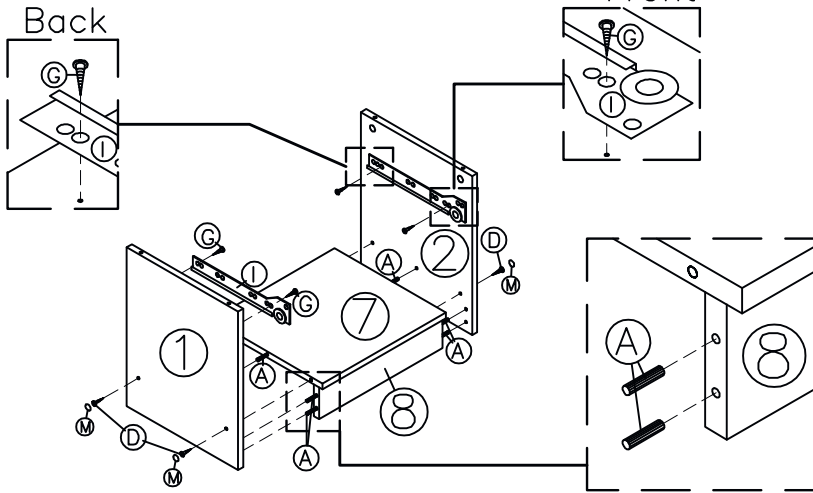
Ensure starting position correct before you insert connecting bolt turn clockwise until secure.



To Assemble the Drawer Slide, Please Follow Step as Below

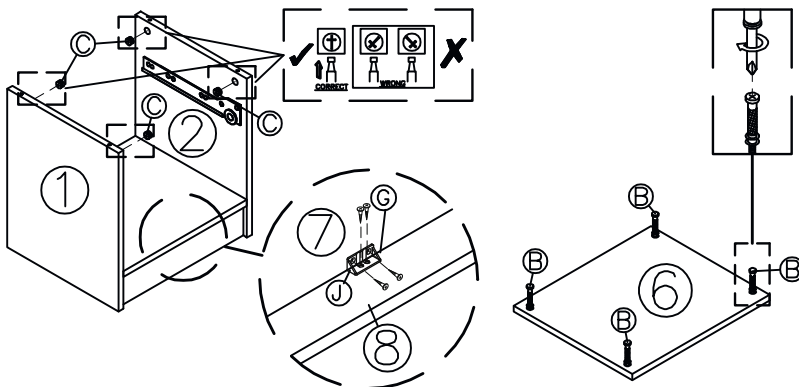


STEP 1



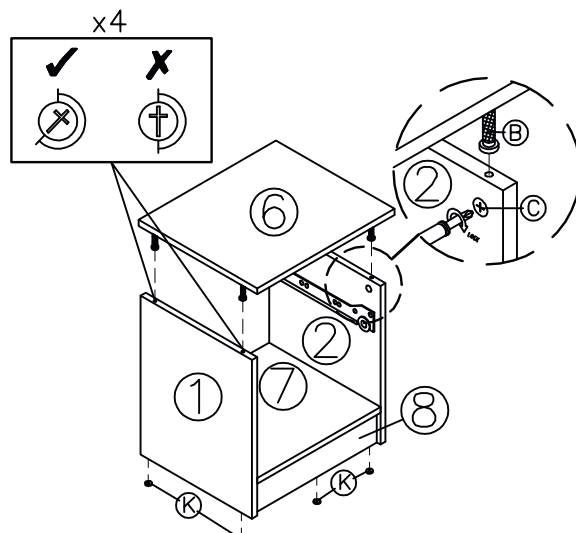
A	Wooden Dowel		x6
D	45mm Screw		x4
G	16mm Screw		x4
I	12" Drawer Slide		1 Set
M	Screw Cover		x4

STEP 2



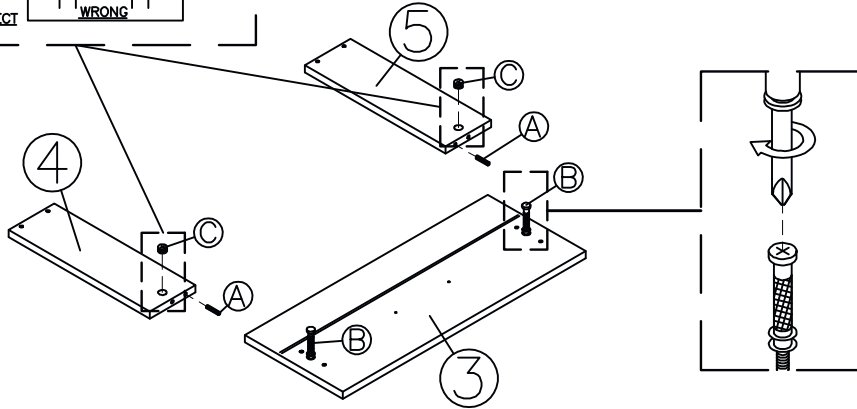
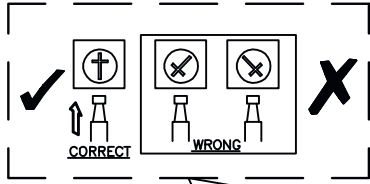
B	Cam Bolt		x4
C	Cam Nut		x4
G	16mm Screw		x4
J	L - Bracket		x1

STEP 3



K	Plastic Foot		x5
---	--------------	--	----

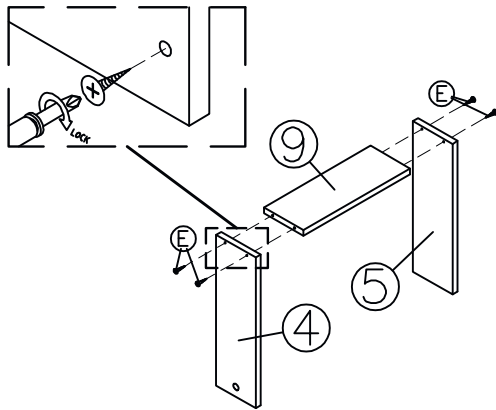
STEP 4



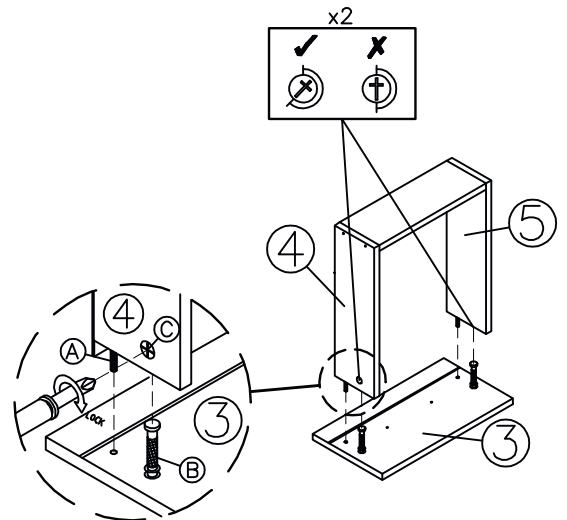
A	Wooden Dowel		x2
B	Cam Bolt		x2
C	Cam Nut		x2

STEP 5

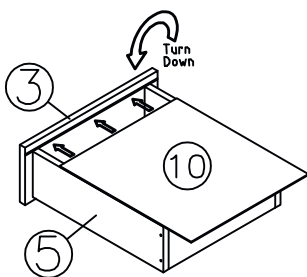
E	38mm Screw		x4
---	------------	--	----



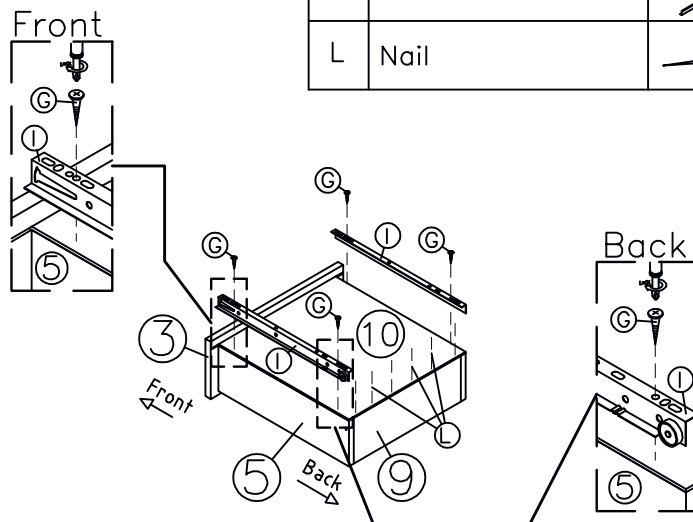
STEP 6



STEP 7

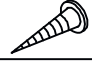



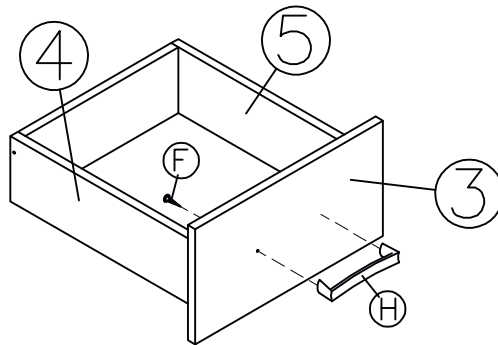
STEP 8



G	16mm Screw		x4
I	12" Drawer Slide		1 Set
L	Nail		x9

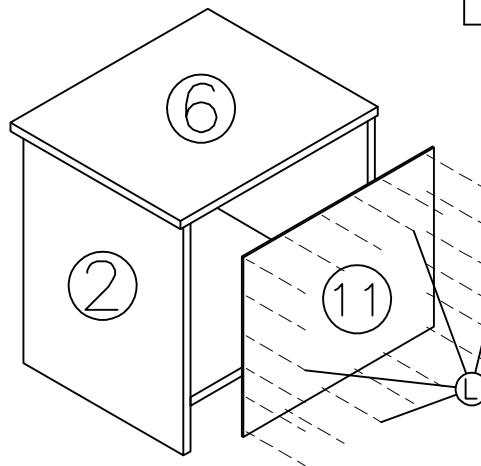
STEP 9

F	25mm Screw		x2
H	Handle (128mm)		x1

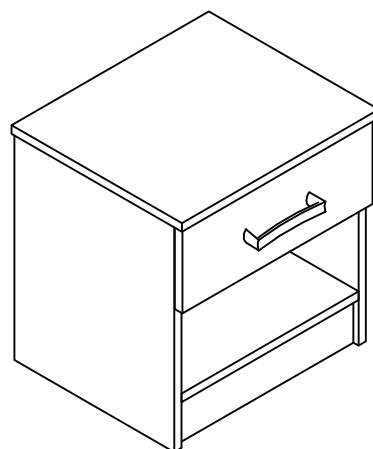


STEP 10

L	Nail		x14
---	------	---	-----



STEP 11



FINISH