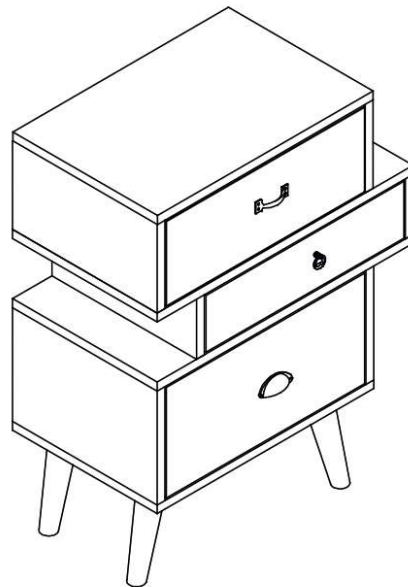


WHITE/DISTRESSED EFFECT NORDIC 3 DRAWER BEDSIDE ASSEMBLY INSTRUCTIONS



FOR DOMESTIC USE ONLY IMPORTANT

PLEASE READ BEFORE YOU CONTINUE FURTHER

THE PRODUCT YOU HAVE PURCHASED WILL GIVE YOU MANY YEARS OF SERVICE IF YOU FOLLOW THE GUIDELINES FOR ITS SAFE ASSEMBLY AND PERIODIC MAINTENANCE AND CLEANING.

ASSEMBLE ON A SOFT CLEAN SURFACE.

DO NOT USE ANY TOOLS OTHER THAN THOSE SHOWN.

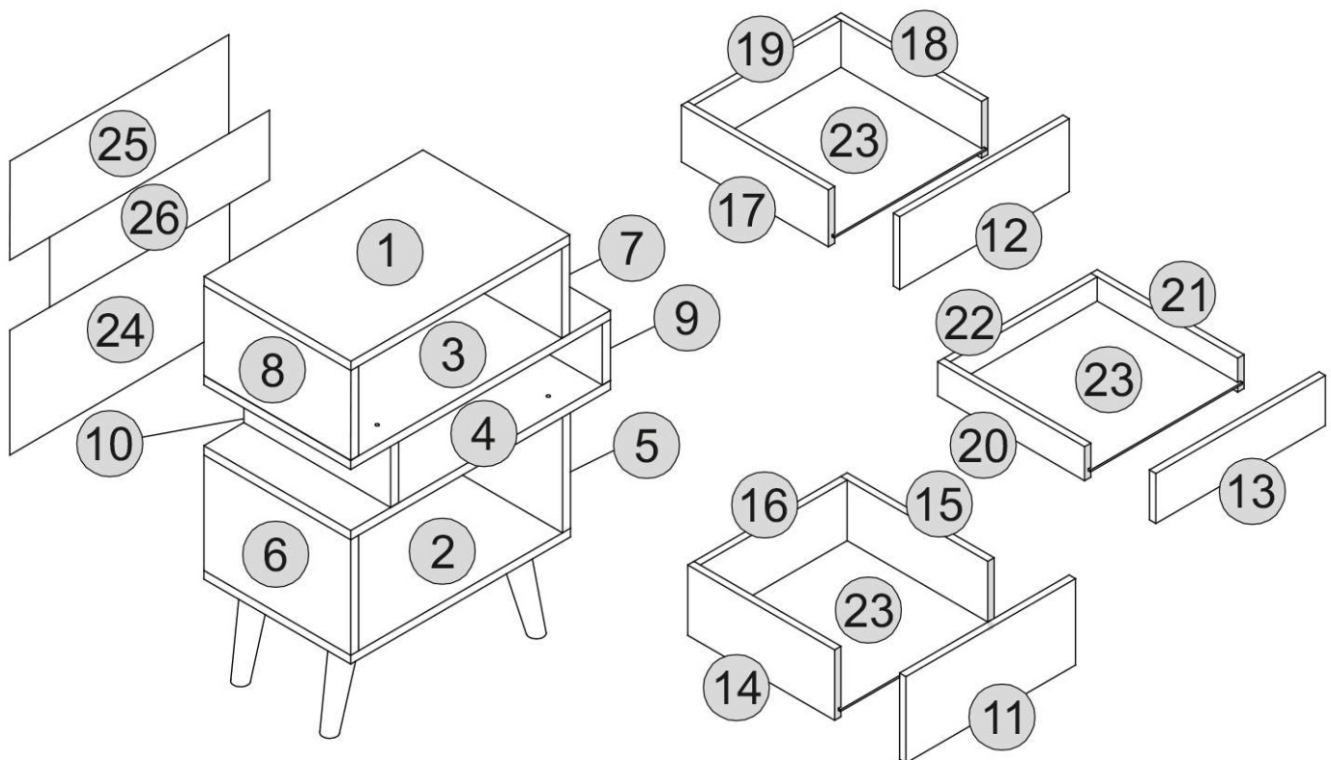
ANY SPANNERS OR ALLEN KEYS REQUIRED ARE INCLUDED WITH THE FITTING KIT.

DO NOT FOR ANY REASON USE A POWER TOOL TO ASSEMBLE THIS PRODUCT. ITS USE WILL INVALIDATE ANY CLAIM YOU MAY HAVE AND COULD MAKE THIS PRODUCT UNSAFE.

DEPENDING ON THE AMOUNT OF USE THIS PRODUCT RECEIVES, IT MAY BE NECESSARY TO TIGHTEN UP THE FIXINGS FROM TIME TO TIME. THIS IS COMPLETELY NORMAL FOR ANY FLAT PACK FURNITURE. DO NOT OVERTIGHTEN FIXINGS.

FOR CLEANING, YOU MAY USE A DAMP CLOTH (NOT WET). DO NOT USE POLISH, DETERGENT OR CHEMICAL CLEANERS.

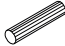
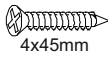
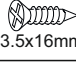
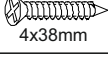




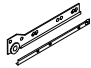




THIS SURFACE OF THIS ITEM IS NOT HEAT RESISTANT. ALWAYS USE A PLACE MAT UNDER HOT OR COLD ITEMS TO PREVENT MARKING.



PART LIST

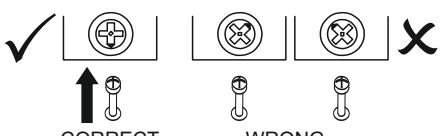
Part Number	Part Code	Part Description	Quantity	Carton
1	S100-103-055-TA1-01	Top Panel	1	1/1
2	S100-103-055-TA1-02	Bottom Panel	1	1/1
3	S100-103-055-TA1-03	Shelf Panel	1	1/1
4	S100-103-055-TA1-04	Shelf Panel	1	1/1
5	S100-103-055-TA1-05	Right Bottom Side Panel	1	1/1
6	S100-103-055-TA1-06	Left Bottom Side Panel	1	1/1
7	S100-103-055-TA1-07	Right Top Side Panel	1	1/1
8	S100-103-055-TA1-08	Left Top Side Panel	1	1/1
9	S100-103-055-TA1-09	Right Centre Side Panel	1	1/1
10	S100-103-055-TA1-10	Left Centre Side Panel	1	1/1
11	S100-103-055-TA1-11	Bottom Drawer Front	1	1/1
12	S100-103-055-TA1-12	Top Drawer Front	1	1/1
13	S100-103-055-TA1-13	Centre Drawer Front	1	1/1
14	S100-103-055-TA1-14	Left Bottom Drawer Side	1	1/1
15	S100-103-055-TA1-15	Right Bottom Drawer Side	1	1/1
16	S100-103-055-TA1-16	Bottom Drawer Back	1	1/1
17	S100-103-055-TA1-17	Left Top Drawer Side	1	1/1
18	S100-103-055-TA1-18	Right Top Drawer Side	1	1/1
19	S100-103-055-TA1-19	Top Drawer Back	1	1/1
20	S100-103-055-TA1-20	Left Centre Drawer Side	1	1/1
21	S100-103-055-TA1-21	Right Centre Drawer Side	1	1/1
22	S100-103-055-TA1-22	Centre Drawer Back	1	1/1
23	S100-103-055-TA1-23	Drawer Base	3	1/1
24	S100-103-055-TA1-24	Bottom Back Panel	1	1/1
25	S100-103-055-TA1-25	Top Back Panel	1	1/1
26	S100-103-055-TA1-26	Centre Back Panel	1	1/1

HARDWARE LIST

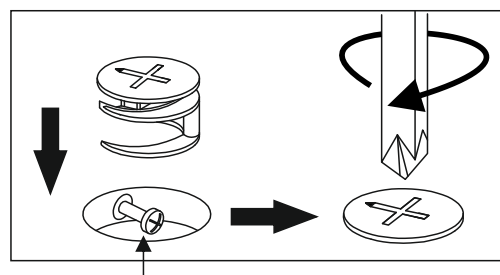
No.	Part Name		Qty
A	Wooden Dowel (6x30mm)		x34
B	45mm Screw (4x45mm)		x16
C	16mm Screw (3.5x14mm)		x40
D	38mm Screw (4x38mm)		x12
E	Cam Bolt (8032T)		x14
F	Cam Nut (1510)		x14
G	Wood Leg + Plastic Foot		x4
H	6/8" Nail		x34
I	14" Drawer Slide		x3
J	Handle+Screw 1pc(M4x20mm)		x1
K	Handle+Screw 4pc(M3x16mm)		x1
L	Handle+Screw 2pc(M3x16mm)		x1
M	Wall Fixings 1pc(M4x20mm)		x1

TIPS FOR FITTINGS CAM-LOCKS

WHEN FITTING CAM NUT. ENSURE STARTING POSITION IS CORRECT BEFORE YOU INSERT CONNECTING CAM BOLT TURN CLOCKWISE UNTIL SECURE



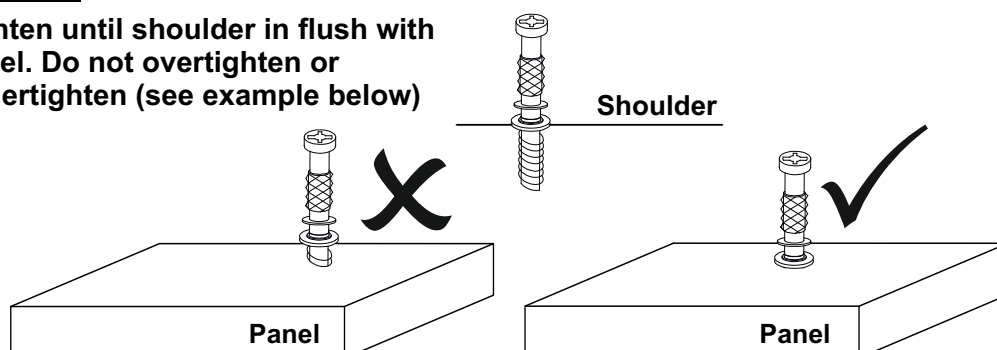
CORRECT **WRONG**



Cam bolt head needs to be in centre

CAMBOLT

Tighten until shoulder in flush with panel. Do not overtighten or undertighten (see example below)




STEP 1

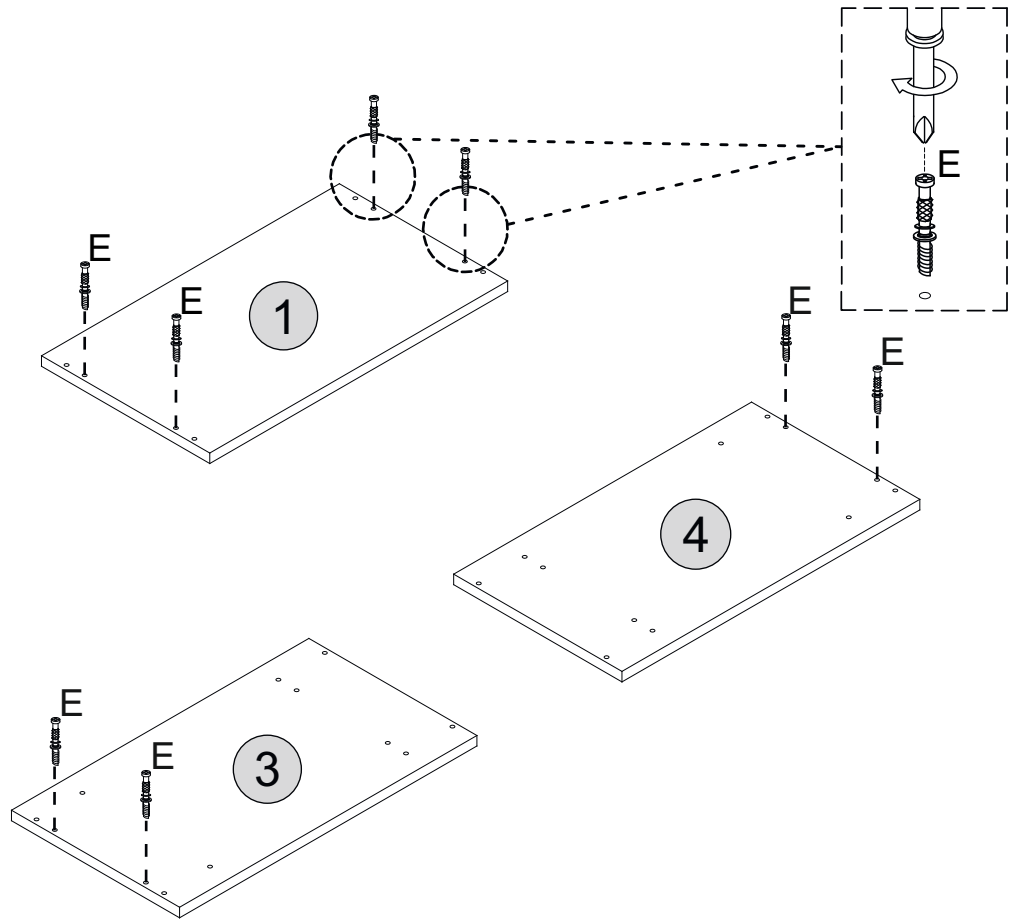
PARTS REQUIRED

1 - TOP PANEL	x1
3 - SHELF PANEL	x1
4 - SHELF PANEL	x1

HARDWARE REQUIRED

E		08
---	---	----

TOOLS REQUIRED


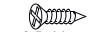



STEP 2

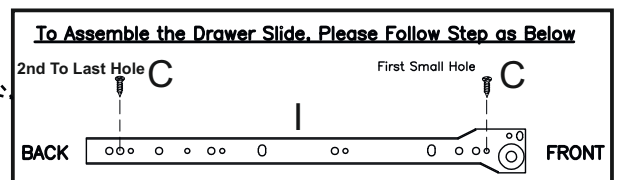
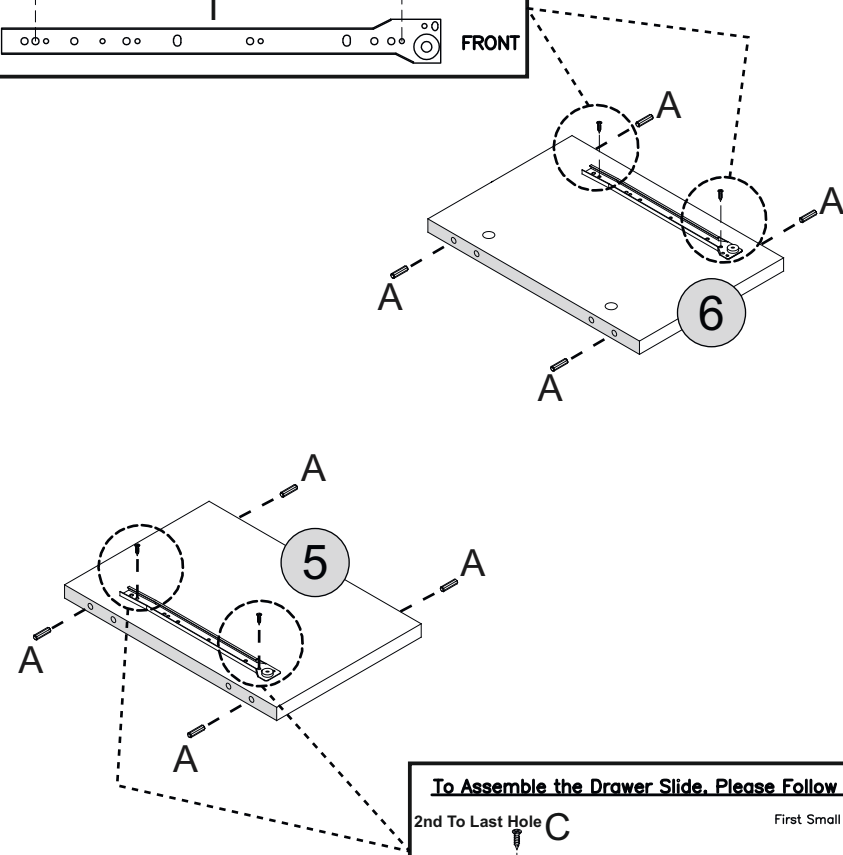
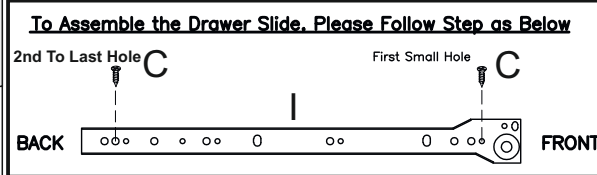
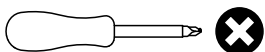
PARTS REQUIRED

5 - RIGHT BOTTOM SIDE PANEL	x1
6 - LEFT BOTTOM SIDE PANEL	x1

HARDWARE REQUIRED

A		08
C		04
I		02

TOOLS REQUIRED



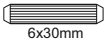
STEP 3

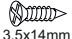
PARTS REQUIRED


7 - RIGHT TOP SIDE PANEL x1

8 - LEFT TOP SIDE PANEL x1

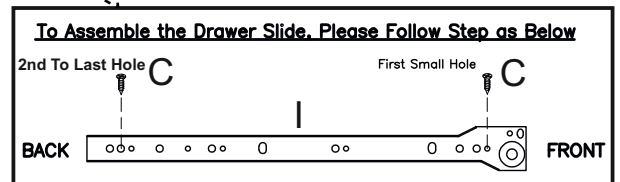
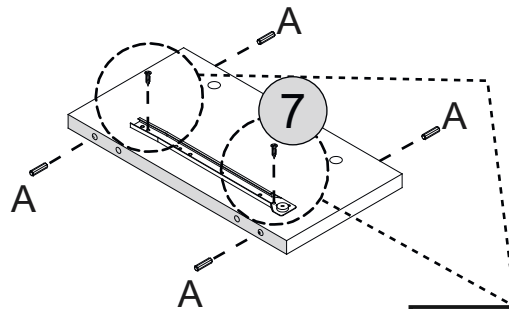
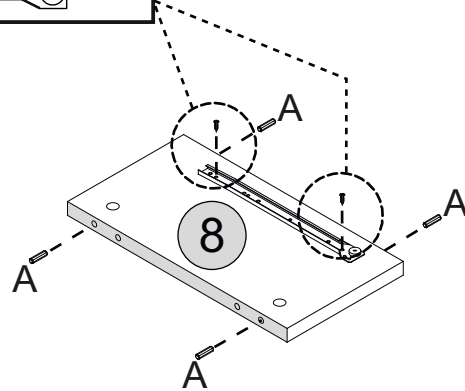
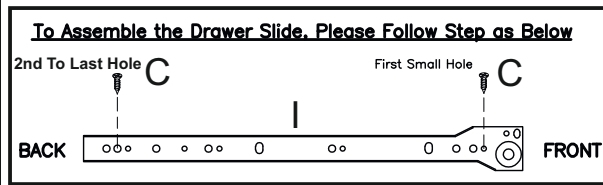
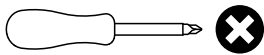
HARDWARE REQUIRED

A  08

C  04

I  02

TOOLS REQUIRED



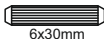
STEP 4

PARTS REQUIRED


9 - RIGHT CENTRE SIDE PANEL x1

10 - LEFT CENTRE SIDE PANEL x1

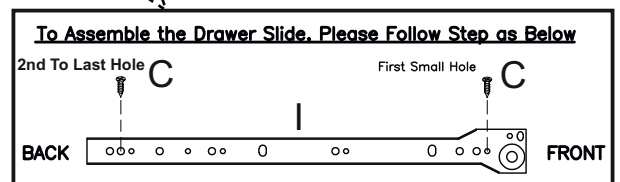
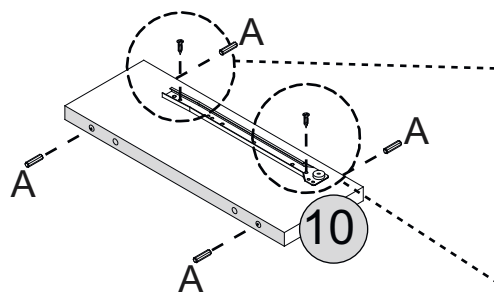
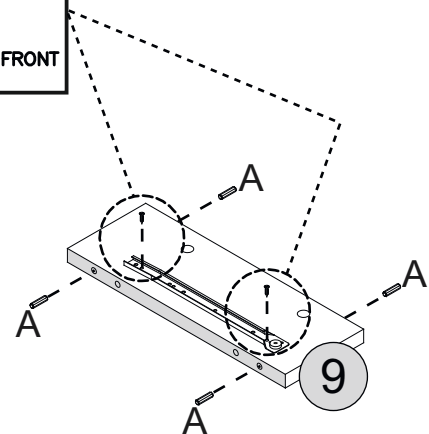
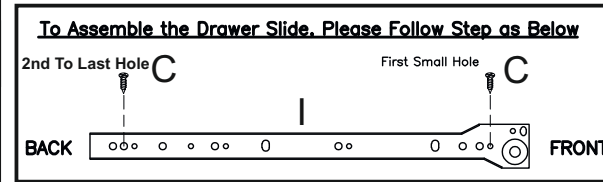
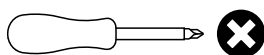
HARDWARE REQUIRED

A  08

C  04

I  02

TOOLS REQUIRED



STEP 5

PARTS REQUIRED

6 - LEFT BOTTOM SIDE PANEL x1

7 - RIGHT TOP SIDE PANEL x1

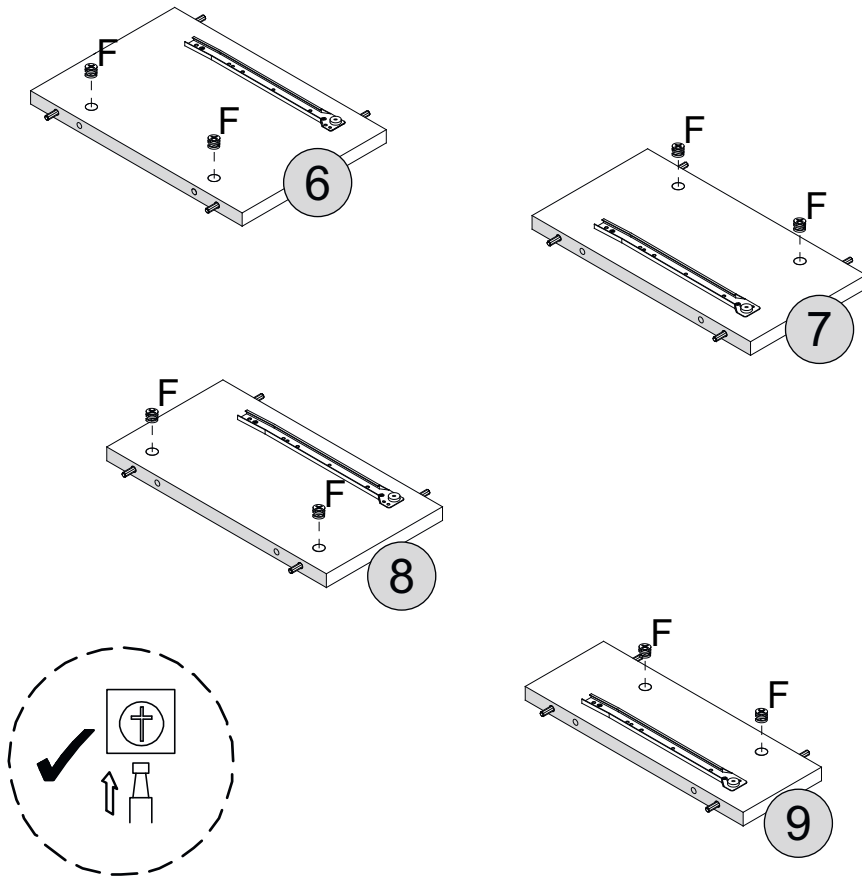
8 - LEFT TOP SIDE PANEL x1

9 - RIGHT CENTRE SIDE PANEL x1

HARDWARE REQUIRED

F  08

TOOLS REQUIRED



STEP 6

PARTS REQUIRED

3 - SHELF PANEL x1

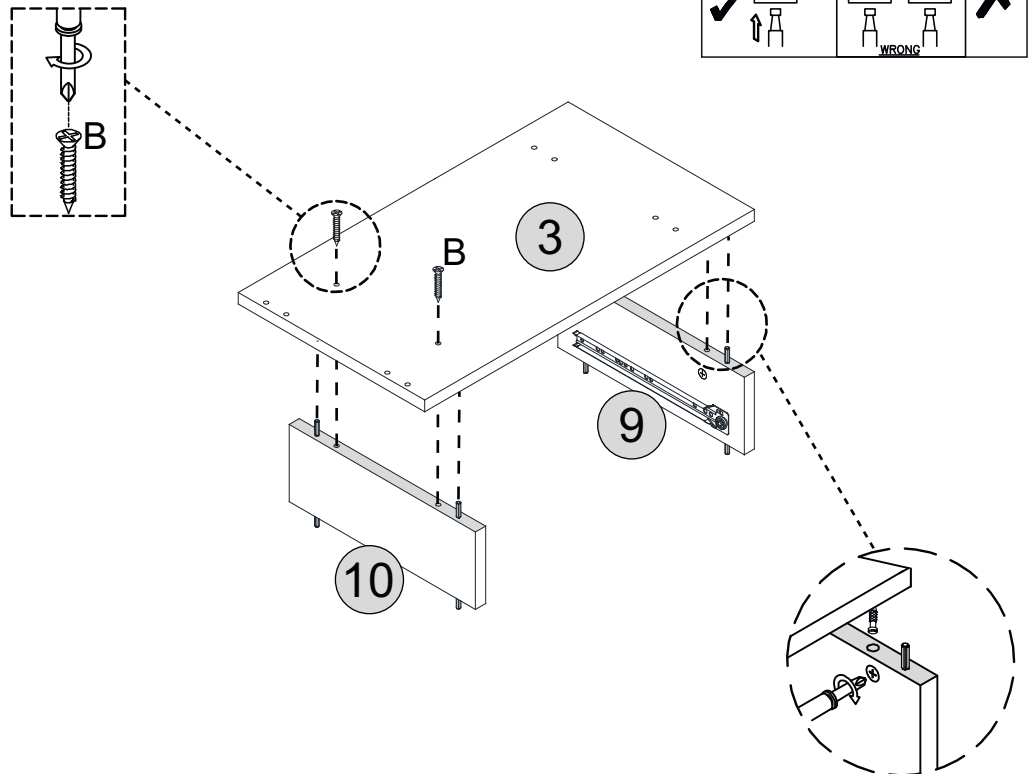
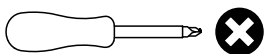
9 - RIGHT CENTRE SIDE PANEL x1

10 - LEFT CENTRE SIDE PANEL x1

HARDWARE REQUIRED

B  02
4x45mm

TOOLS REQUIRED

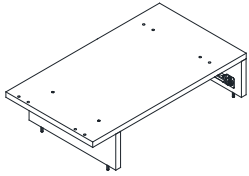


STEP 7

PARTS REQUIRED

7 - RIGHT TOP SIDE PANEL x1

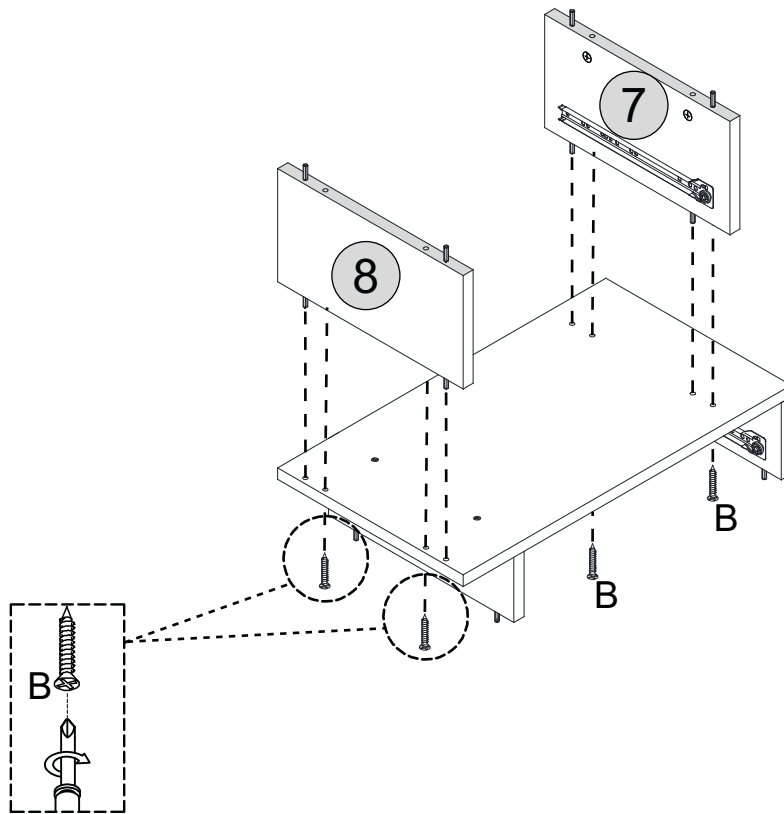
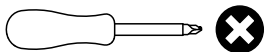
8 - LEFT TOP SIDE PANEL x1



HARDWARE REQUIRED

B  04

TOOLS REQUIRED



STEP 8

PARTS REQUIRED

4 - SHELF PANEL x1

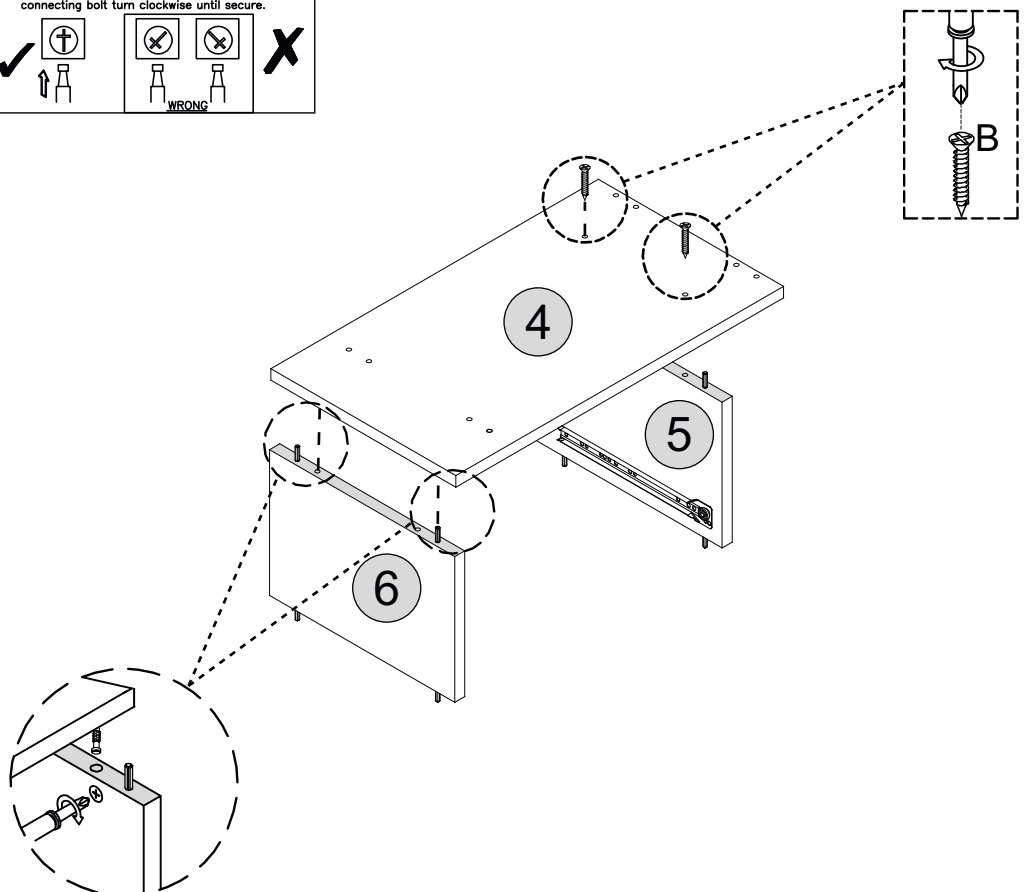
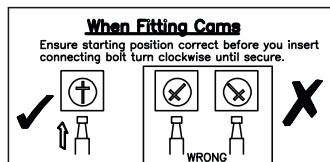
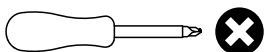
5 - RIGHT BOTTOM SIDE PANEL x1

6 - LEFT BOTTOM SIDE PANEL x1

HARDWARE REQUIRED

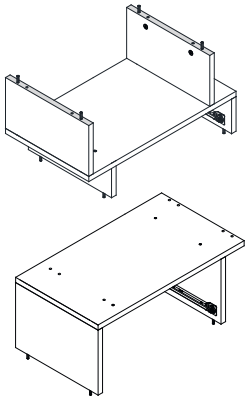
B  02

TOOLS REQUIRED

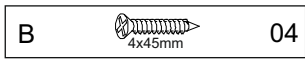


STEP 9

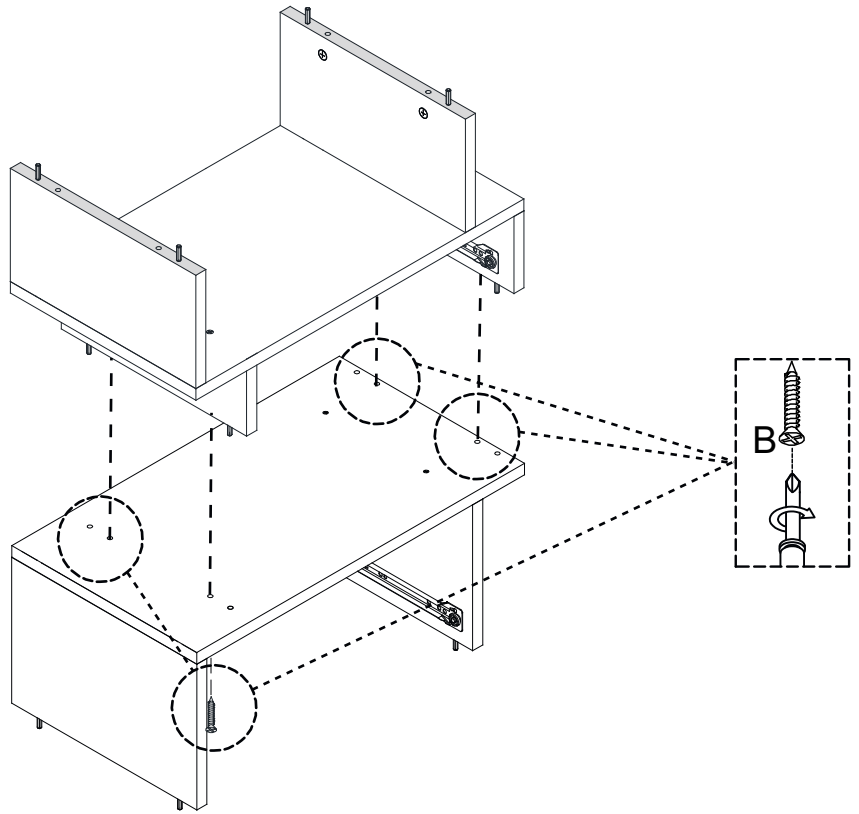
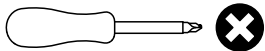
PARTS REQUIRED



HARDWARE REQUIRED



TOOLS REQUIRED

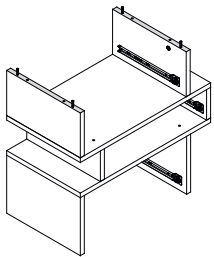


STEP 10

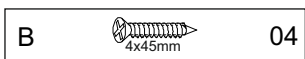
PARTS REQUIRED

1 - TOP PANEL x1

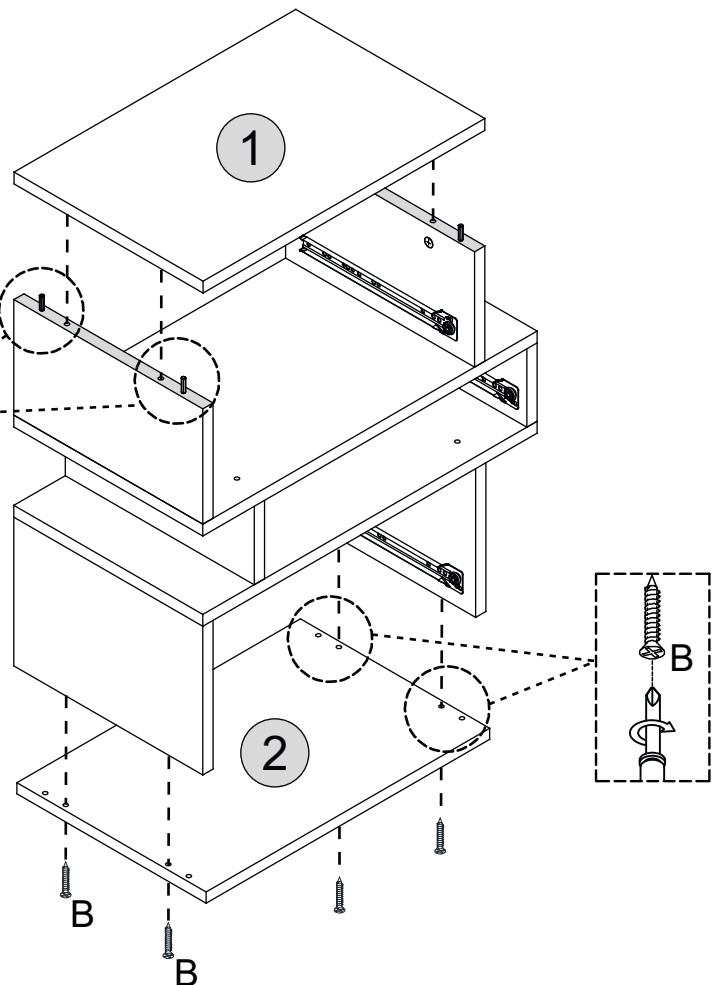
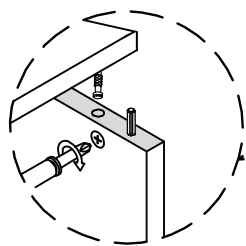
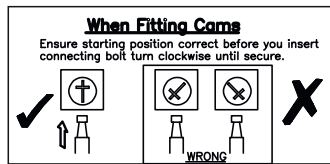
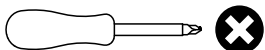
2 - BOTTOM PANEL x1



HARDWARE REQUIRED

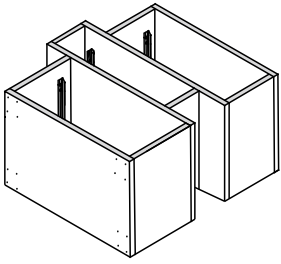


TOOLS REQUIRED

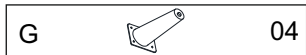
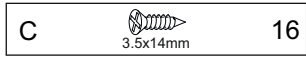


STEP 11

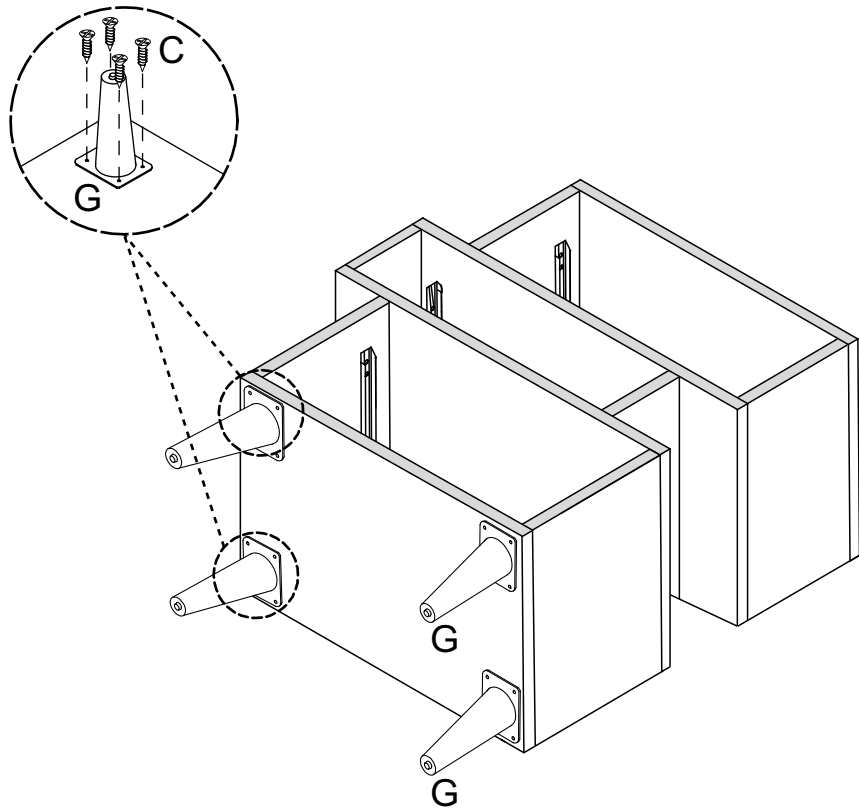
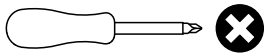
PARTS REQUIRED



HARDWARE REQUIRED



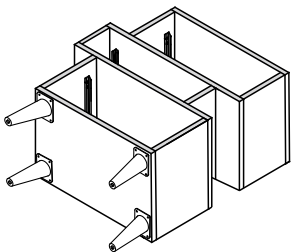
TOOLS REQUIRED



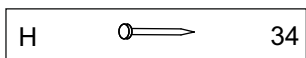
STEP 12

PARTS REQUIRED

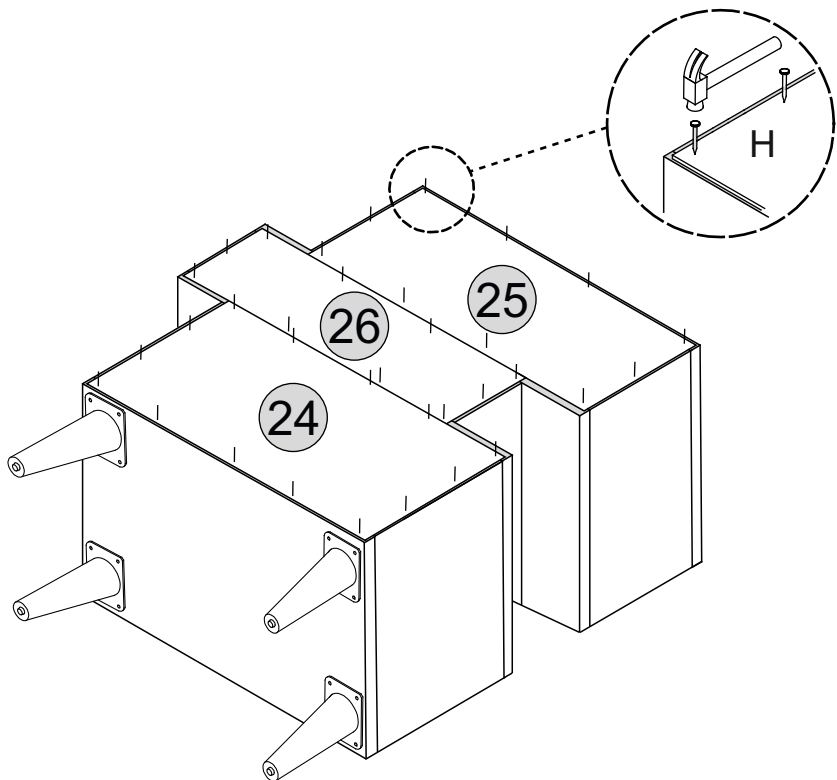
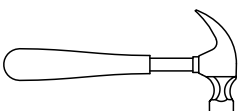
- 24 - BOTTOM BACK PANEL x1
- 25 - TOP BACK PANEL x1
- 26 - CENTRE BACK PANEL x1



HARDWARE REQUIRED



TOOLS REQUIRED



STEP 13

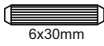
PARTS REQUIRED

11 - BOTTOM DRAWER FRONT x1

14 - LEFT BOTTOM DRAWER SIDE x1

15 - RIGHT BOTTOM DRAWER SIDE x1

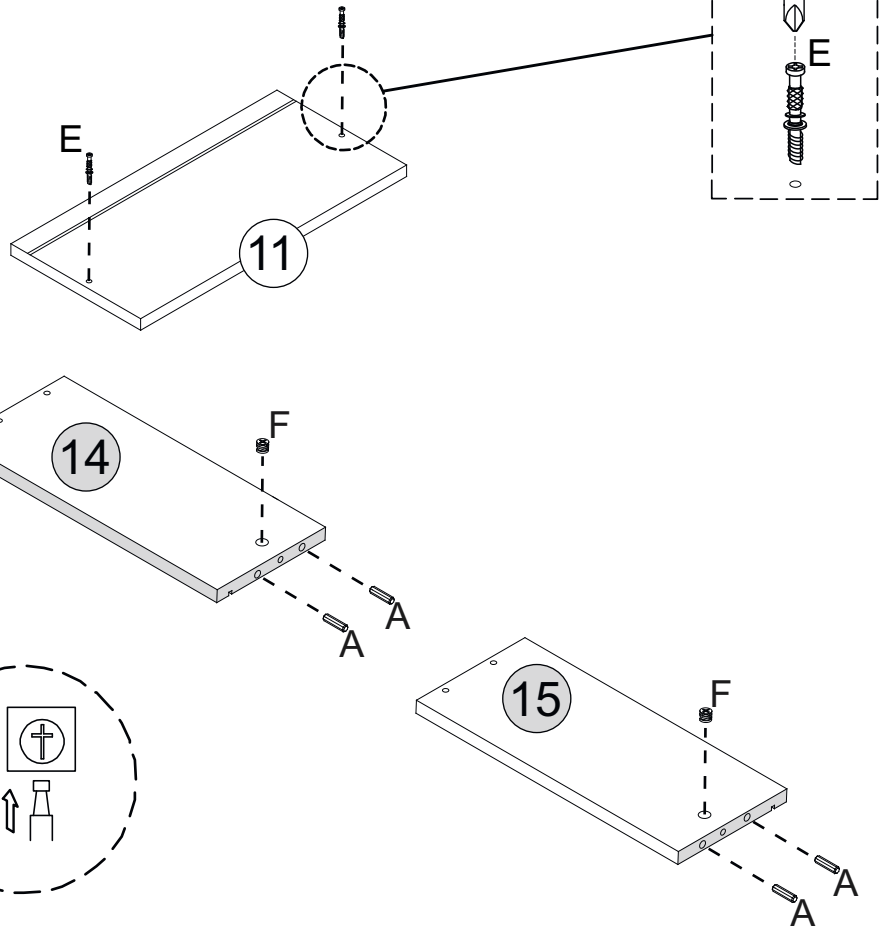
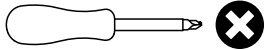
HARDWARE REQUIRED

A  04

E  02

F  02

TOOLS REQUIRED



STEP 14

PARTS REQUIRED

11 - BOTTOM DRAWER FRONT x1

14 - LEFT BOTTOM DRAWER SIDE x1

15 - RIGHT BOTTOM DRAWER SIDE x1

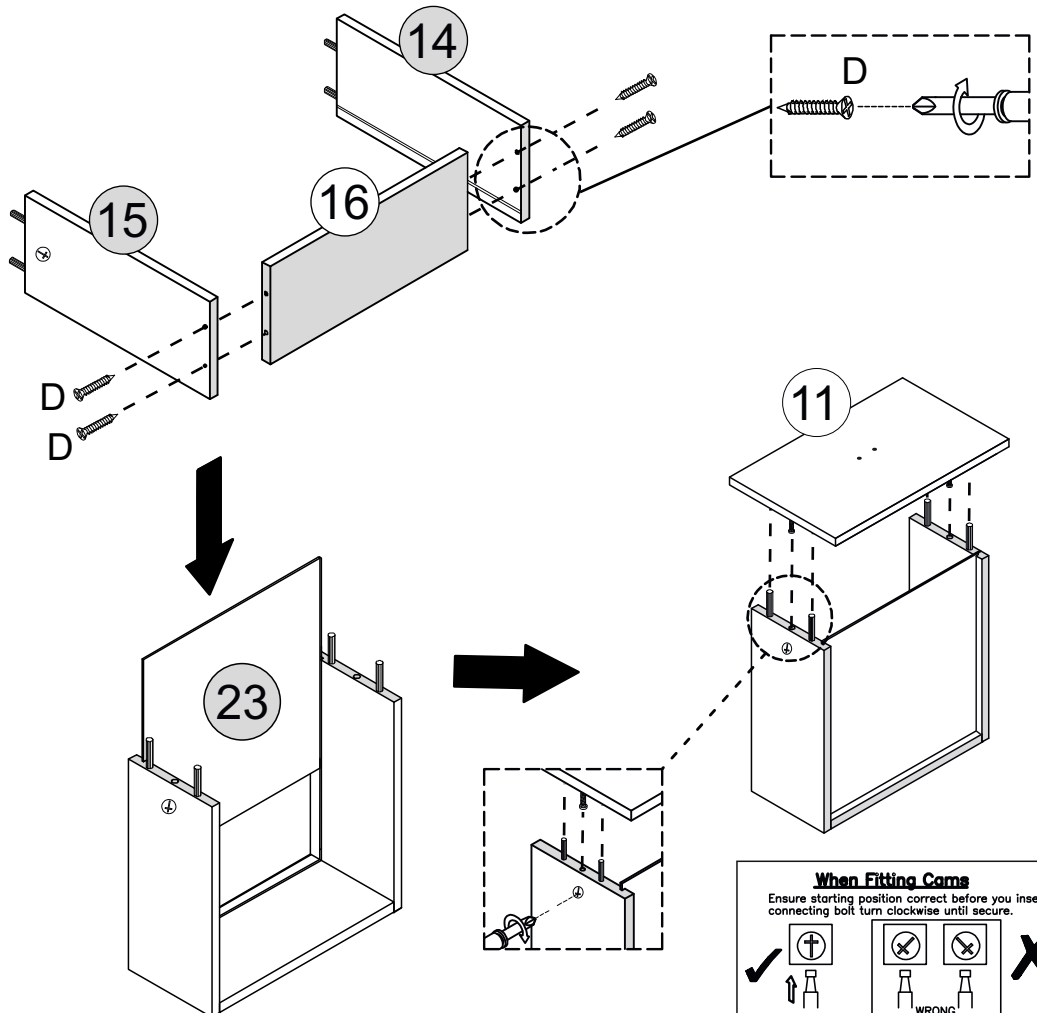
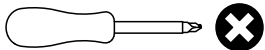
16 - BOTTOM DRAWER BACK x1

23 - DRAWER BASE x1

HARDWARE REQUIRED

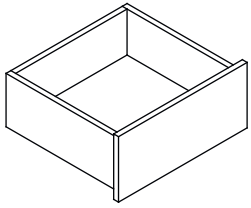
D  04

TOOLS REQUIRED






STEP 15

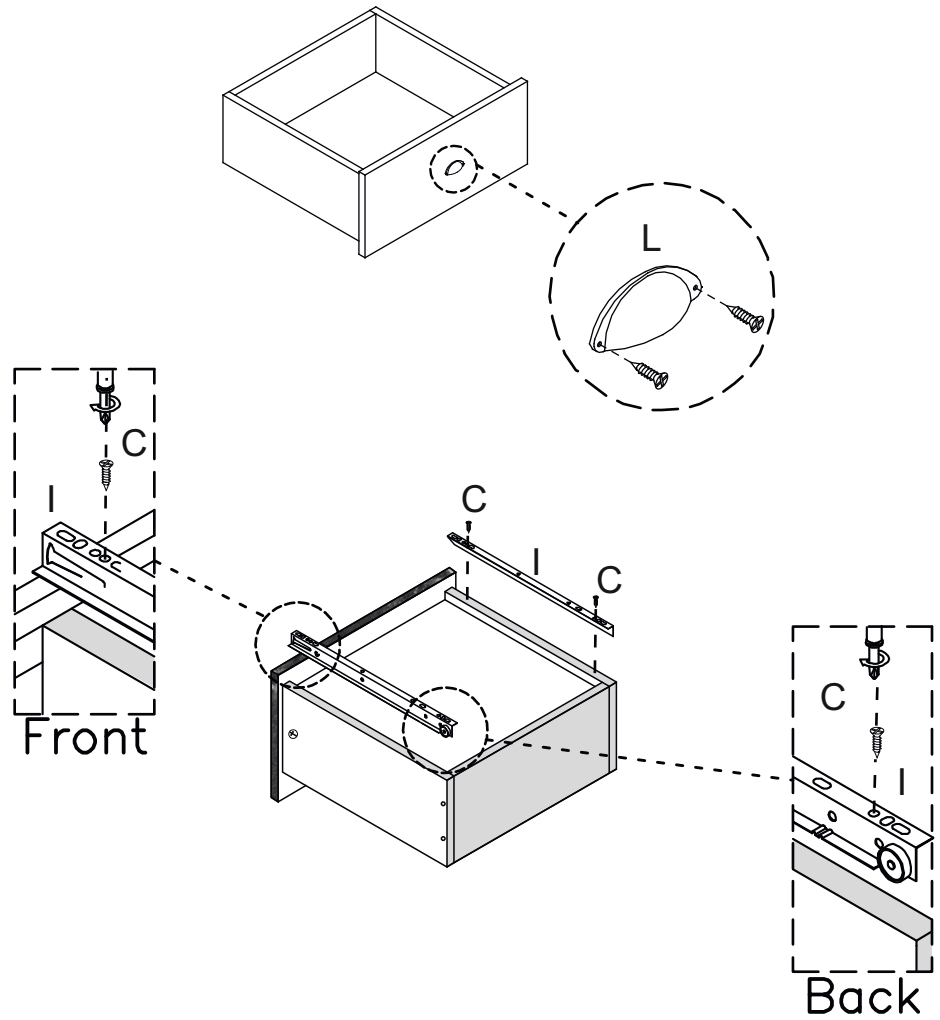
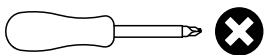
PARTS REQUIRED



HARDWARE REQUIRED

- C  04
3.5x14mm
- I  01
- L  01

TOOLS REQUIRED

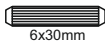




STEP 16

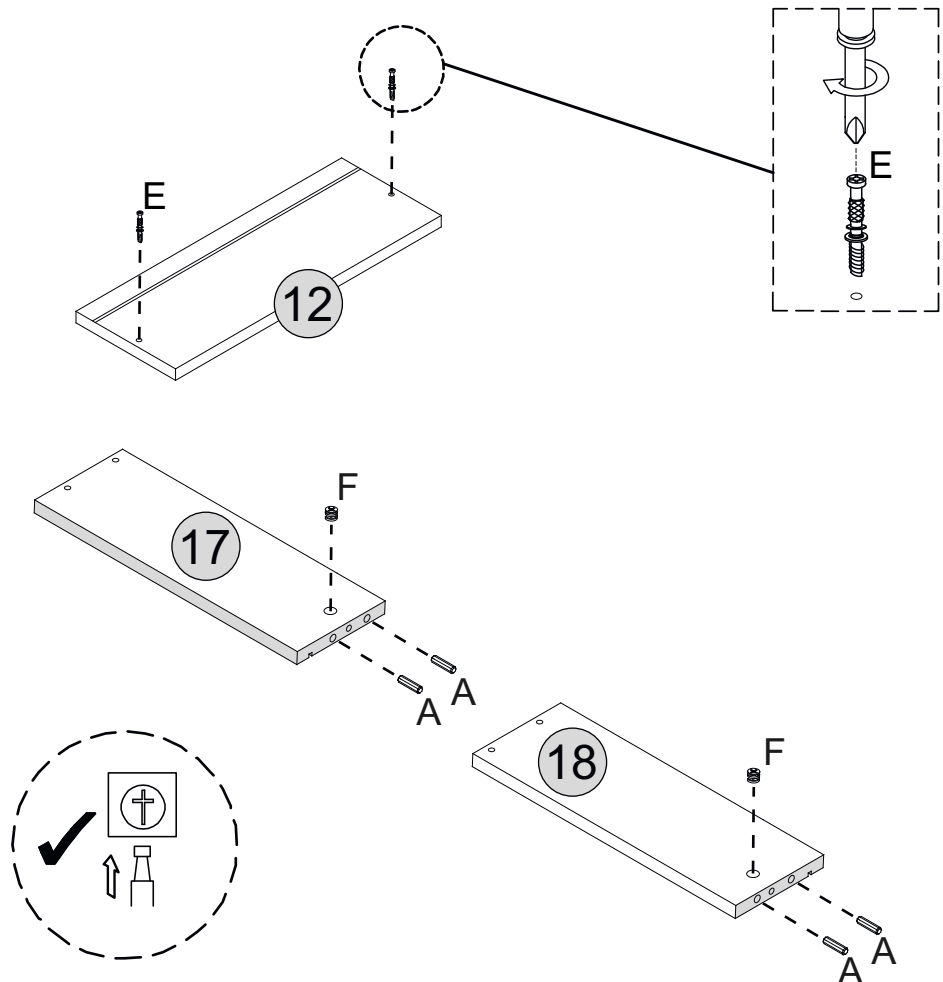
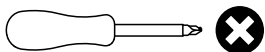
PARTS REQUIRED

- 12 - TOP DRAWER FRONT x1
- 17 - LEFT TOP DRAWER SIDE x1
- 18 - RIGHT TOP DRAWER SIDE x1

HARDWARE REQUIRED

- A  04
6x30mm
- E  02
- F  02

TOOLS REQUIRED



STEP 17

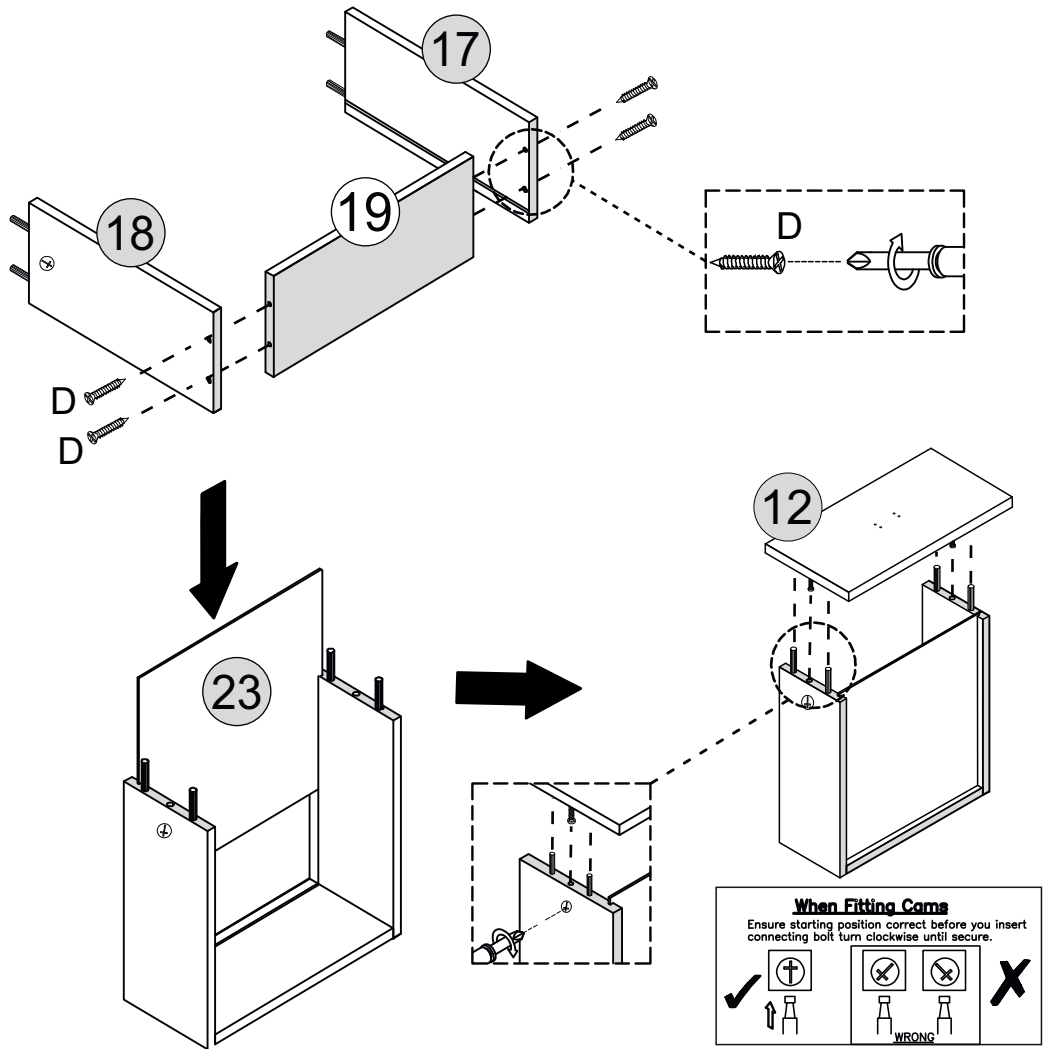
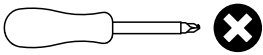
PARTS REQUIRED

- 12 - TOP DRAWER FRONT x1
- 17 - LEFT TOP DRAWER SIDE x1
- 18 - RIGHT TOP DRAWER SIDE x1
- 19 - TOP DRAWER BACK x1
- 23 - DRAWER BASE x1

HARDWARE REQUIRED

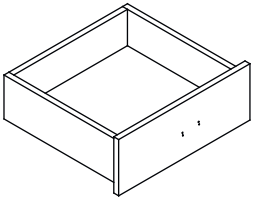
- D  04

TOOLS REQUIRED






STEP 18

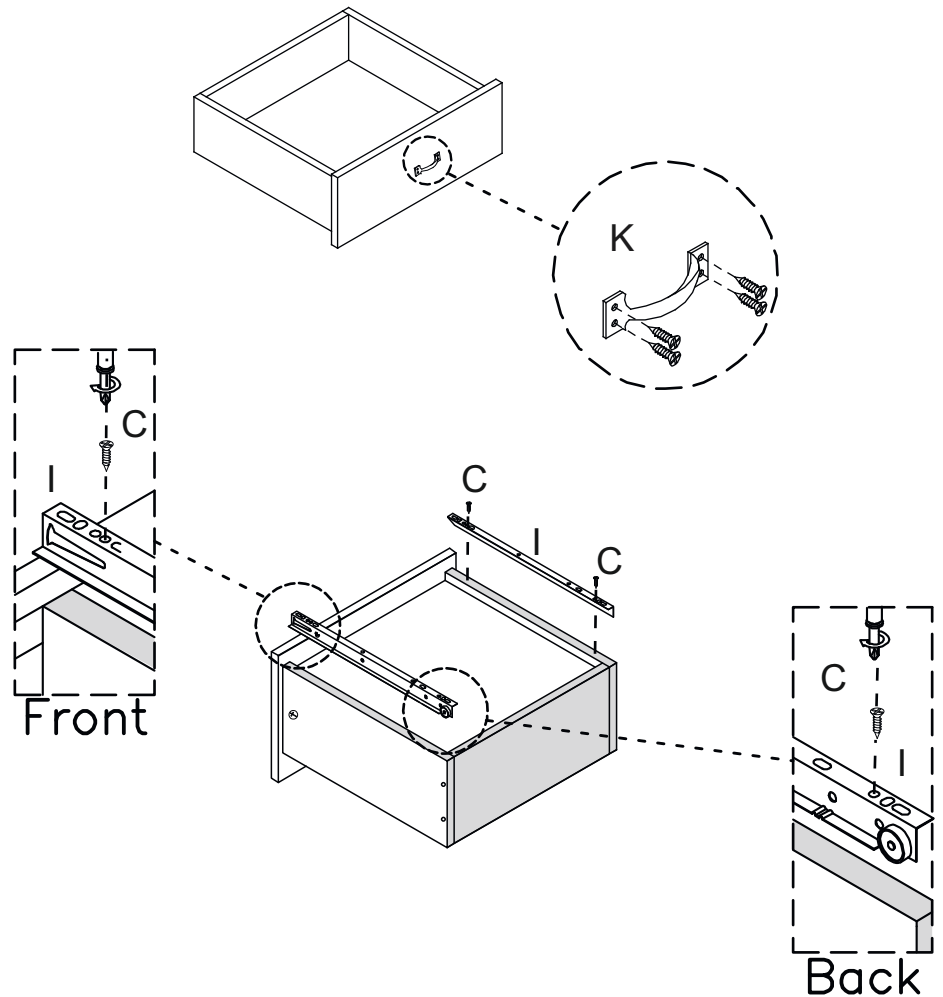
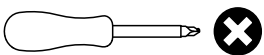
PARTS REQUIRED



HARDWARE REQUIRED

- C  04
- I  01
- K  01

TOOLS REQUIRED



STEP 19

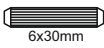
PARTS REQUIRED

13 - CENTRE DRAWER FRONT x1

20 - LEFT CENTRE DRAWER SIDE x1

21 - RIGHT CENTRE DRAWER SIDE x1

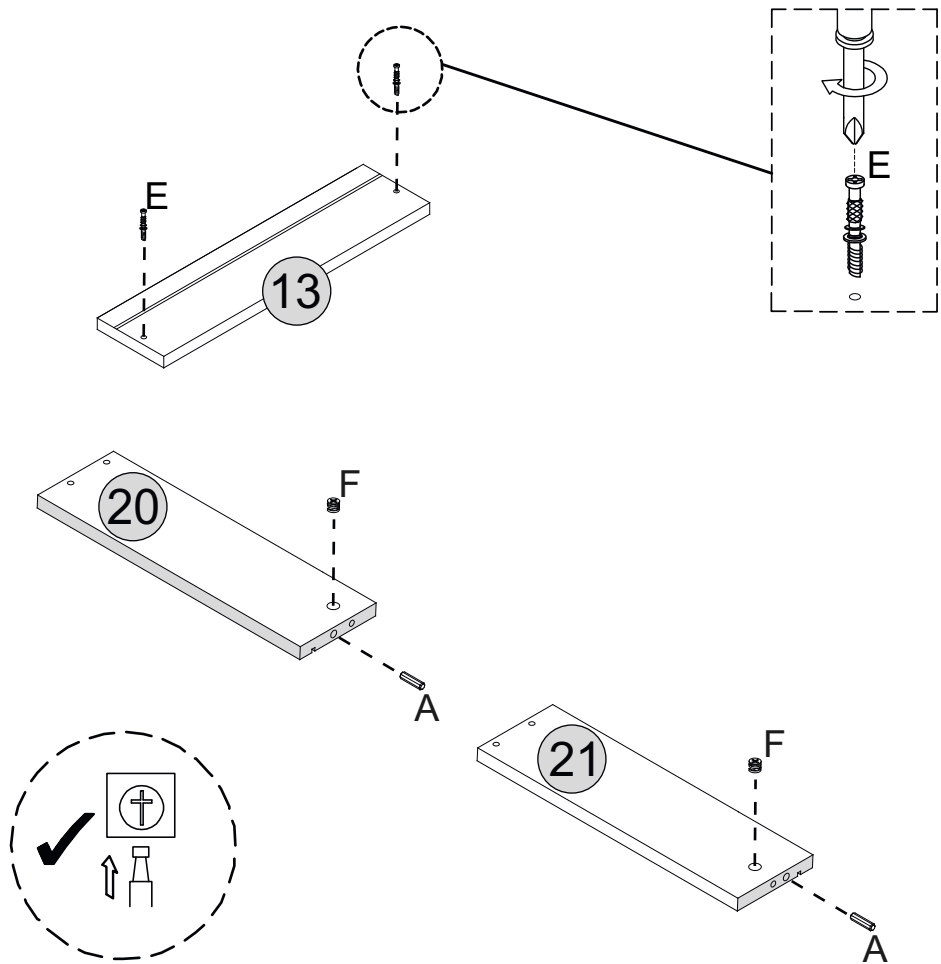
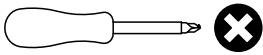
HARDWARE REQUIRED

A  02
6x30mm

E  02

F  02

TOOLS REQUIRED



STEP 20

PARTS REQUIRED

13 - CENTRE DRAWER FRONT x1

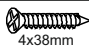
20 - LEFT CENTRE DRAWER SIDE x1

21 - RIGHT CENTRE DRAWER SIDE x1

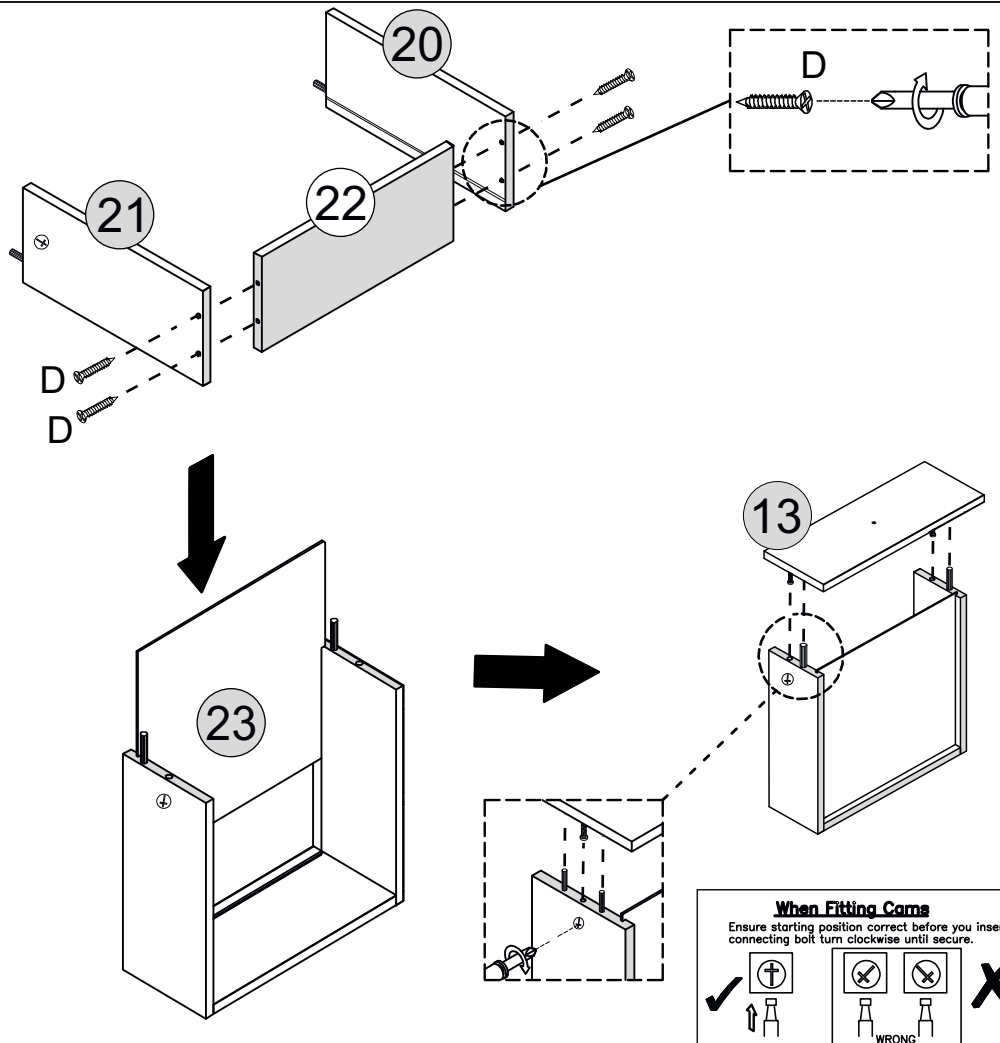
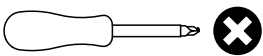
22 - CENTRE DRAWER BACK x1

23 - DRAWER BASE x1

HARDWARE REQUIRED

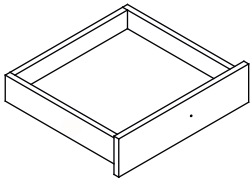
D  04
4x38mm

TOOLS REQUIRED

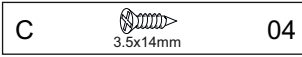


STEP 21

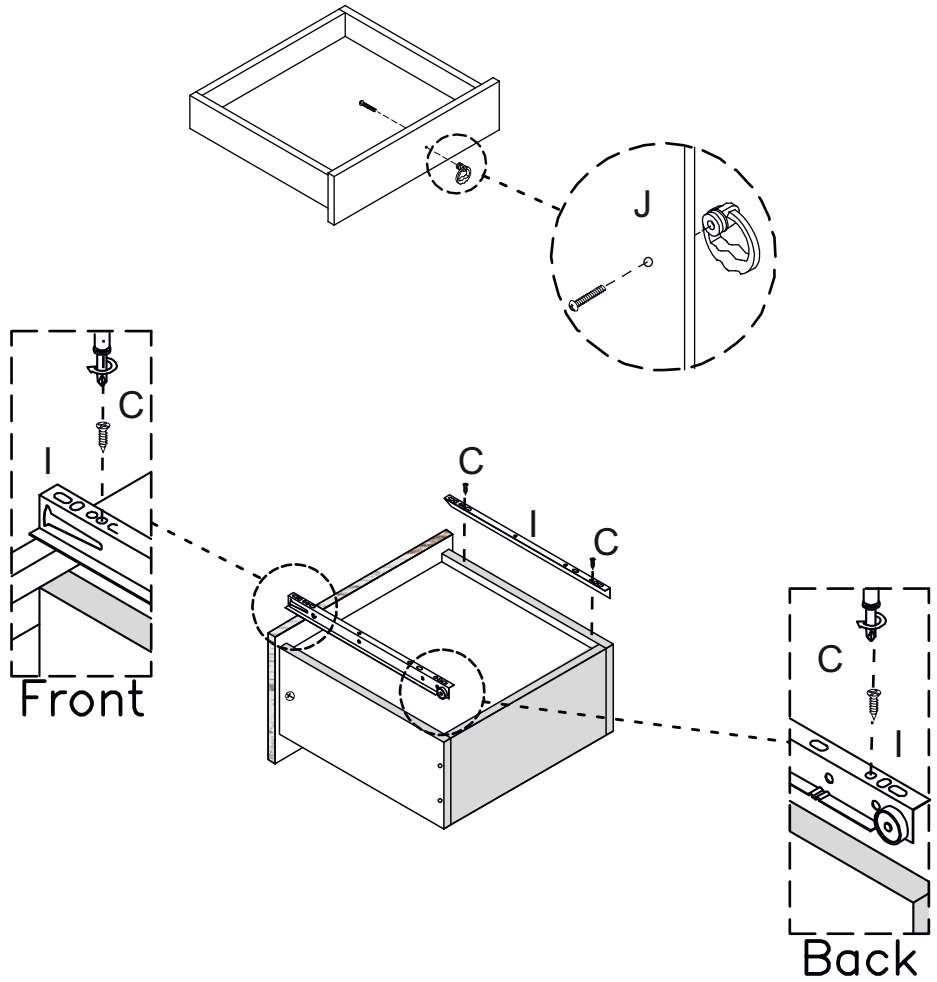
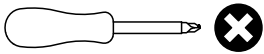
PARTS REQUIRED



HARDWARE REQUIRED

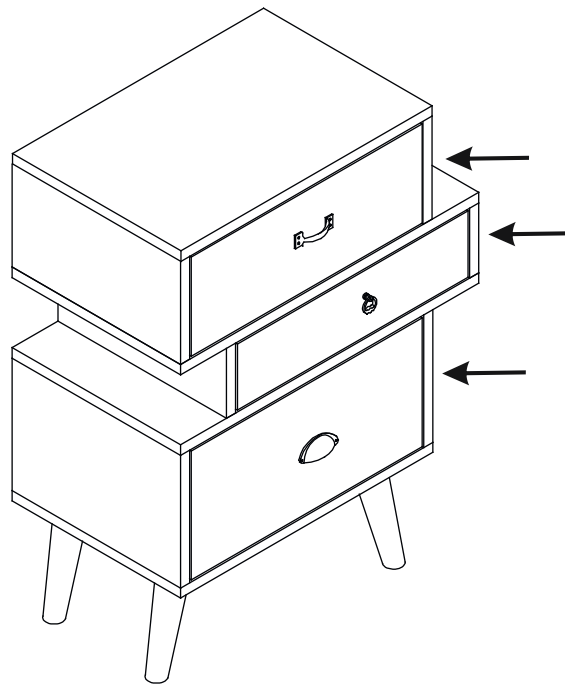
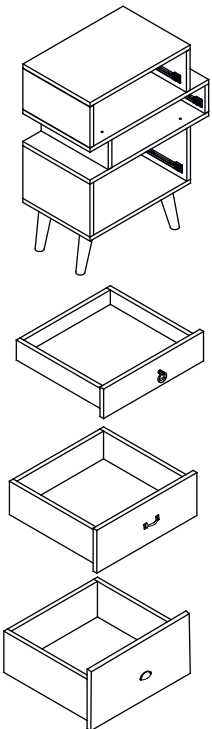


TOOLS REQUIRED



STEP 22

PARTS REQUIRED



STEP 23

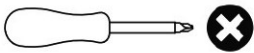
PARTS REQUIRED



HARDWARE REQUIRED



TOOLS REQUIRED



WARNING

Serious or fatal injuries can occur from furniture tipping over. To prevent the furniture from tipping over we recommend that it is permanently fixed to the wall.

Wall fixings are not supplied with this product as different wall materials require different types of fixing devices. Please make sure you use fixings suitable for the walls in your home.

