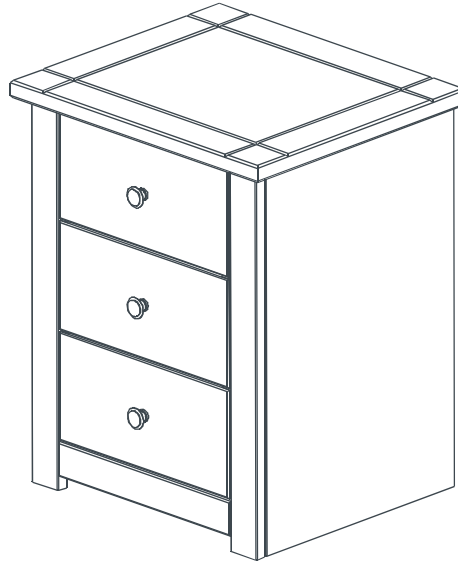


WHITE/NATURAL WAX PANAMA 3 DRAWER BEDSIDE ASSEMBLY INSTRUCTIONS



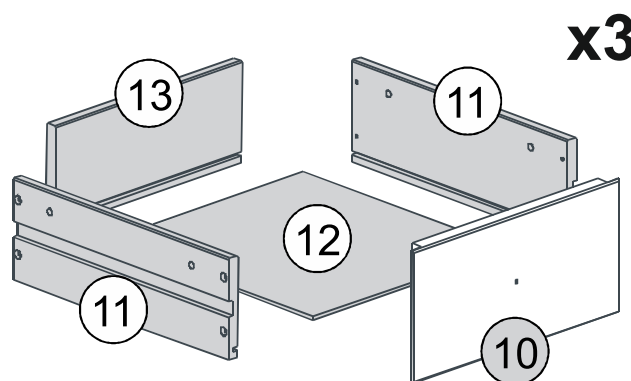
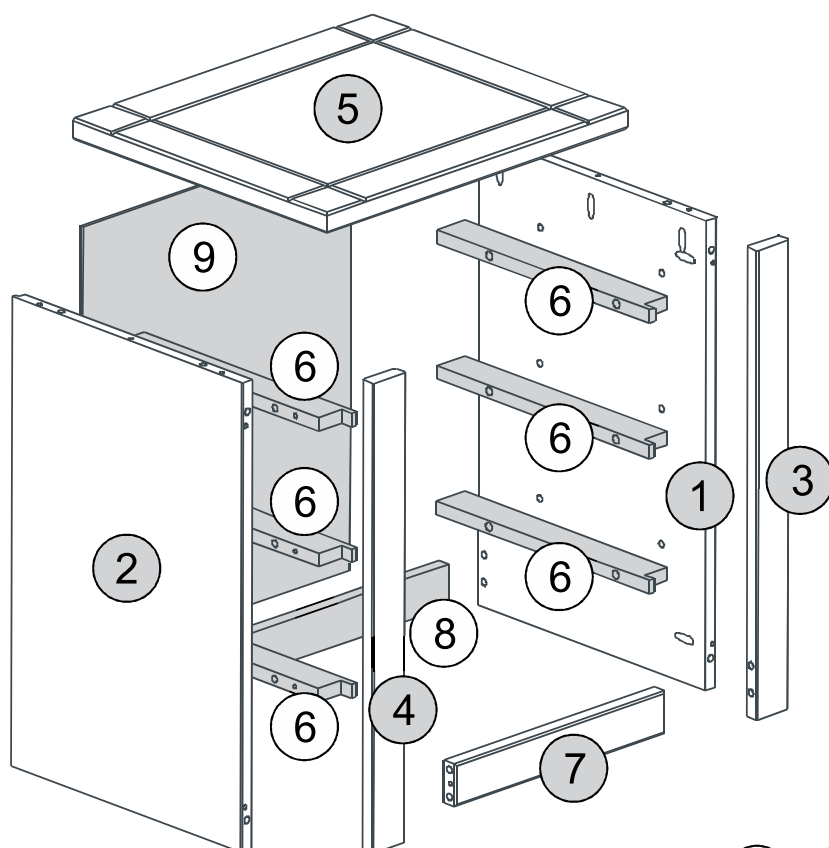
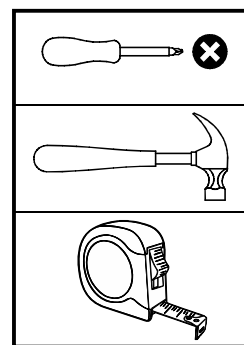
IMPORTANT FOR DOMESTIC USE ONLY

PLEASE READ BEFORE YOU CONTINUE FURTHER

CARE AND MAINTENANCE

- After unpacking this product please keep the original packaging in case it needs to be returned for any reason.
- Please ensure all fittings and parts are present before commencing with assembly.
 - Never drag or push products as this could cause damage to the joints making it inferior.
 - We strongly recommend that you keep children away from your work area.
 - We recommend that you lay a blanket or sheet on the floor to avoid damage to both your floor and the product.
 - Assemble this product as close to its final position as possible.
 - Do not place this product next to a radiator or in direct sunlight.
 - Do not drag or push items across your high gloss furniture as this may cause the surface to scratch
 - Wood is a natural product and may expand if subjected to damp and may shrink or crack if subjected to heat. Therefore it is recommended that room temperature is maintained, with no sudden temperature fluctuations.
 - Make sure any spillage is wiped off immediately.
 - Do not place hot or chilled items directly on to the surface, use a place mat or marking will occur.
 - For general cleaning use a soft cotton or micro fibre cloth, and do not use detergents of any kind.
 - From time to time it may be necessary to tighten fittings, regular inspections should be carried out.
 - Do not place on a wet or damp floor as staining may occur to your floor.

TOOLS REQUIRED

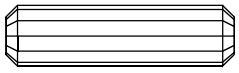



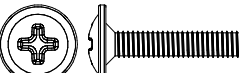
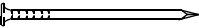





PARTS LIST

Please Note:
The below parts have all been stamped with the part number to help identify them during assembly.

Part Number	Part Code	Part Description	Quantity	Carton
1	S100-103-095-MY1-01	Right Side Panel	1	1/1
2	S100-103-095-MY1-02	Left Side Panel	1	1/1
3	S100-103-095-MY1-03	Right Front Upright	1	1/1
4	S100-103-095-MY1-04	Left Front Upright	1	1/1
5	S100-103-095-MY1-05	Top Panel	1	1/1
6	S100-103-095-MY1-06	Drawer Runner	6	1/1
7	S100-103-095-MY1-07	Front Crossbeam	1	1/1
8	S100-103-095-MY1-08	Back Crossbeam	1	1/1
9	S100-103-095-MY1-09	Back Panel	1	1/1
10	S100-103-095-MY1-10	Drawer Front	3	1/1
11	S100-103-095-MY1-11	Drawer Side	6	1/1
12	S100-103-095-MY1-12	Drawer Bottom	3	1/1
13	S100-103-095-MY1-13	Drawer Back	3	1/1

FITTINGS LIST

<p>A</p>  <p>+/2 Dowel Ø8,0 x 30mm (34x)</p>	<p>B</p>  <p>+/2 Pan Head Screw Ø3,5 x 30mm (27x)</p>	<p>C</p>  <p>+/2 Flat Head Screw Ø3,0 x 30mm (24x)</p>	<p>D</p>  <p>Hange (3x)</p>
<p>E</p>  <p>+/1 Flan Head Screw M4 x 25mm (3x)</p>	<p>F</p>  <p>+/2 Nail 10x10 (10x)</p>	<p>H</p>  <p>Anti - Tip - Kit (1x)</p>	<p>I</p>  <p>+/1 Washer (2x)</p>
<p>J</p>  <p>+/1 Flat Head Screw Ø3,5 x 14mm (3x)</p>			

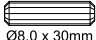
STEP 1

PARTS REQUIRED

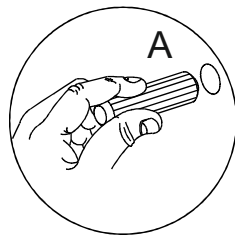
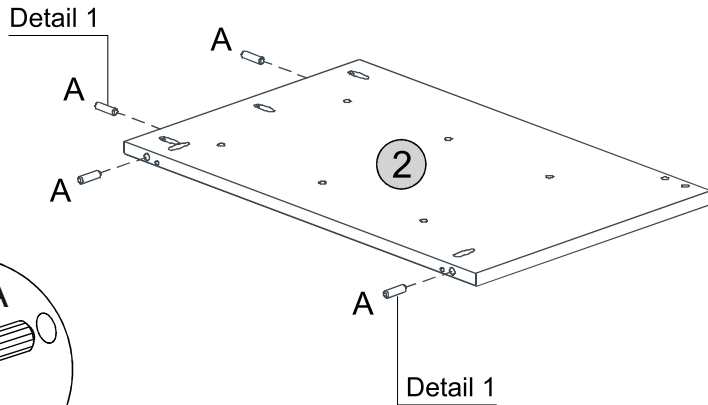
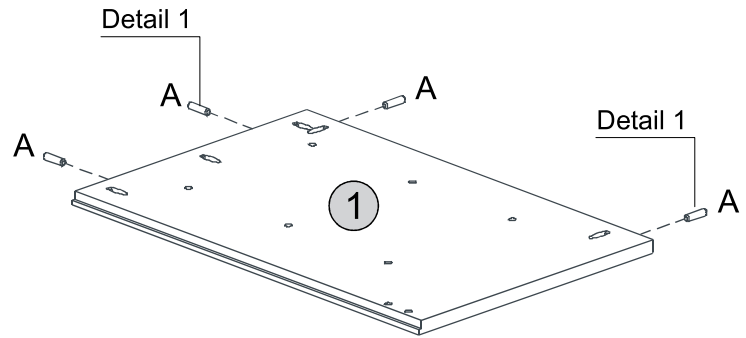
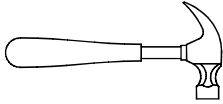
1 - RIGHT SIDE PANEL x1

2 - LEFT SIDE PANEL x1

HARDWARE REQUIRED

A  08
Ø8,0 x 30mm

TOOLS REQUIRED



Detail 1

STEP 2

PARTS REQUIRED

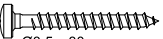
1 - RIGHT SIDE PANEL x1

2 - LEFT SIDE PANEL x1

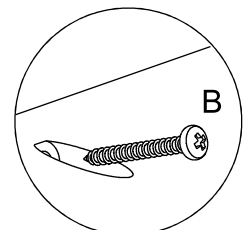
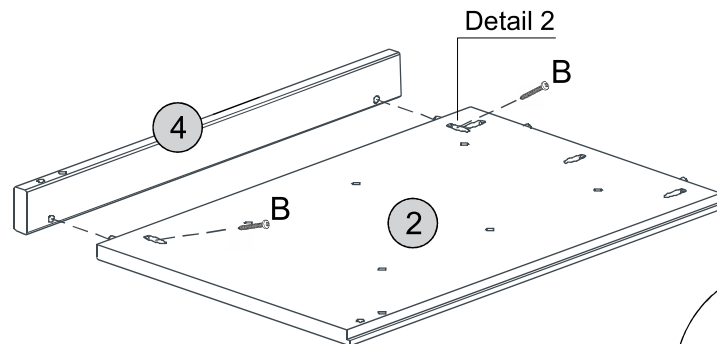
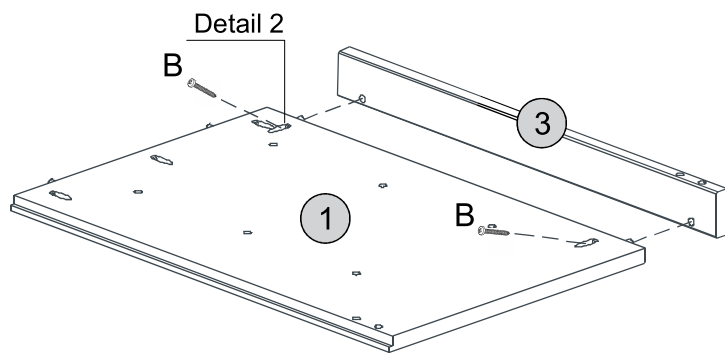
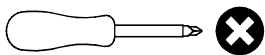
3 - RIGHT FRONT UPRIGHT x1

4 - LEFT FRONT UPRIGHT x1

HARDWARE REQUIRED

B  04
Ø3,5 x 30mm

TOOLS REQUIRED



Detail 2

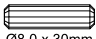
STEP 3

PARTS REQUIRED

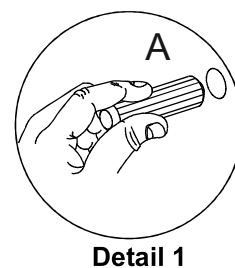
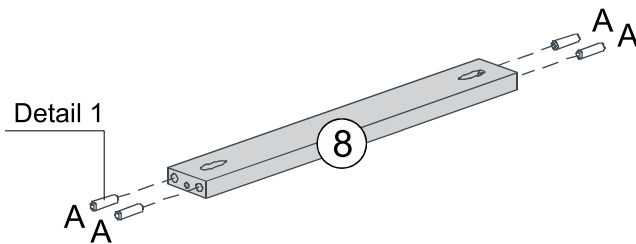
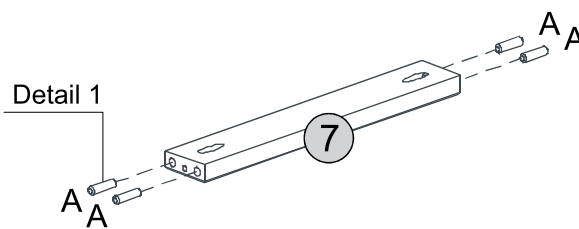
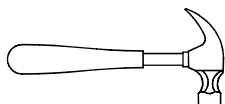
7 - FRONT CROSSBEAM x1

8 - BACK CROSSBEAM x1

HARDWARE REQUIRED

A  08
Ø8,0 x 30mm

TOOLS REQUIRED

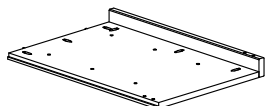
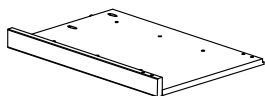


STEP 4


PARTS REQUIRED

7 - FRONT CROSSBEAM x1

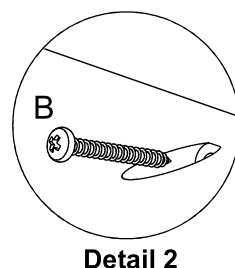
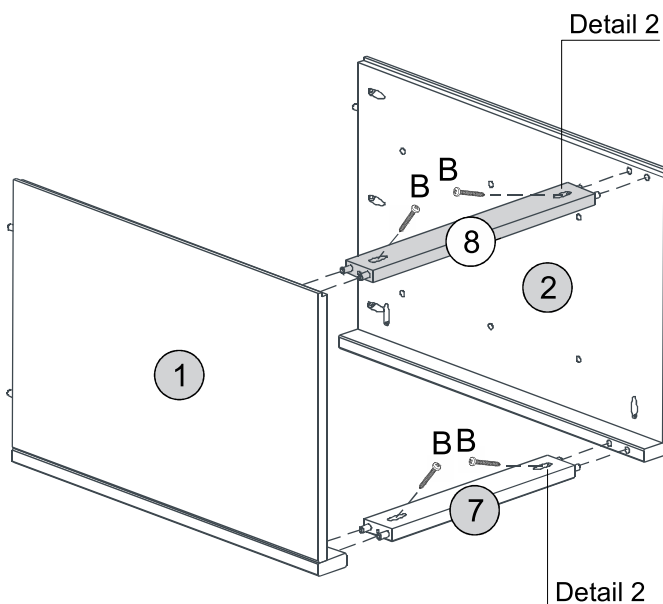
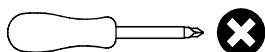
8 - BACK CROSSBEAM x1



HARDWARE REQUIRED

B  04
Ø3,5 x 30mm

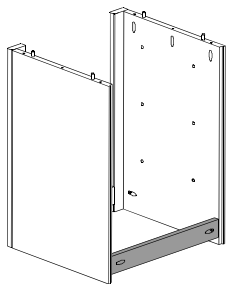
TOOLS REQUIRED




STEP 5

PARTS REQUIRED

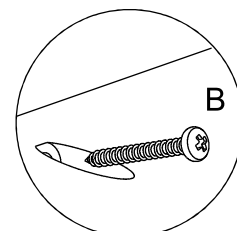
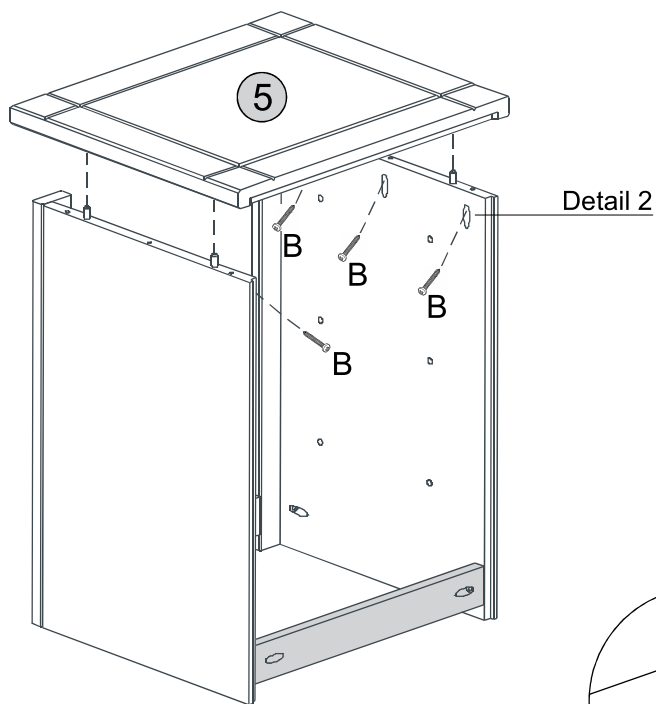
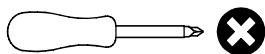
5 - TOP PANEL x1



HARDWARE REQUIRED

B  06
Ø3,5 x 30mm

TOOLS REQUIRED




Detail 2

STEP 6

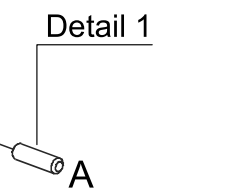
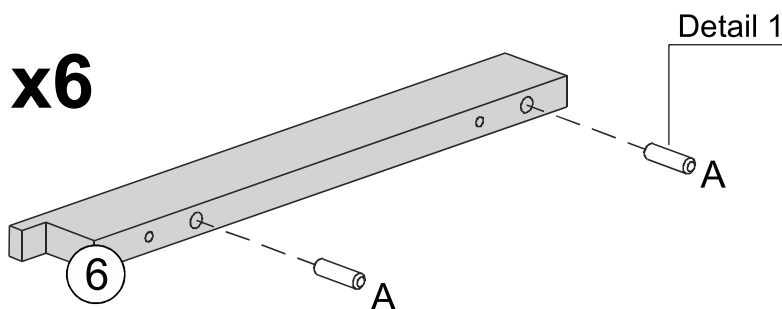
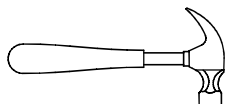
PARTS REQUIRED

6 - DRAWER RUNNER x6

HARDWARE REQUIRED

A  12
Ø8,0 x 30mm

TOOLS REQUIRED

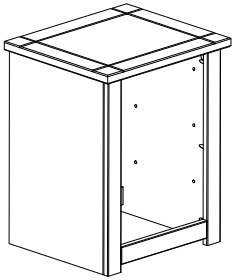


Detail 1


STEP 7

PARTS REQUIRED

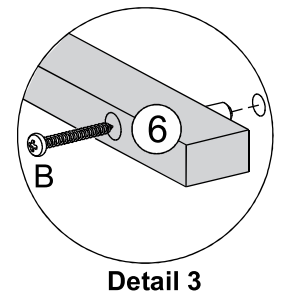
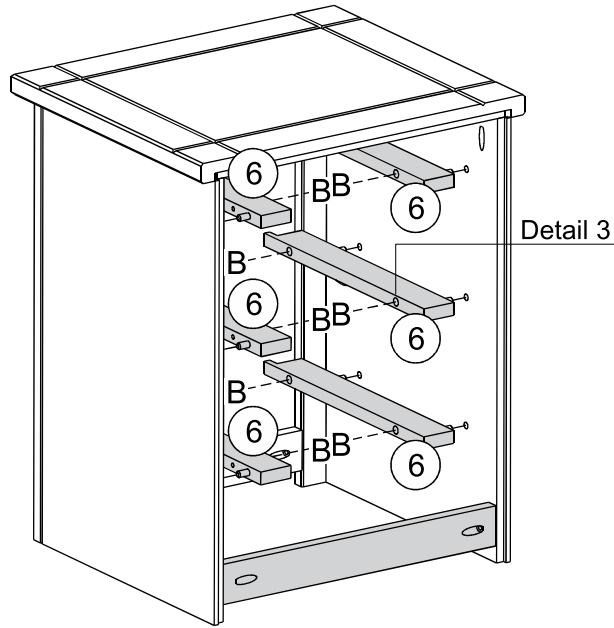
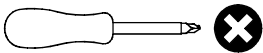
6 - DRAWER RUNNER x8



HARDWARE REQUIRED

B  12
Ø3,5 x 30mm

TOOLS REQUIRED

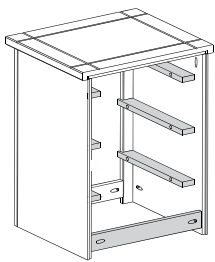


STEP 8

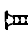
* For your future reference
Order Number should be here


PARTS REQUIRED

9 - BACK PANEL x1

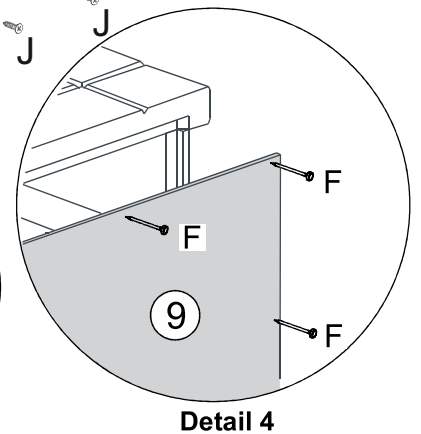
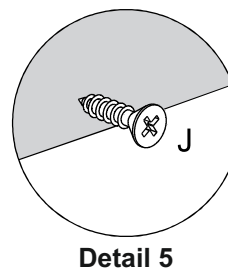
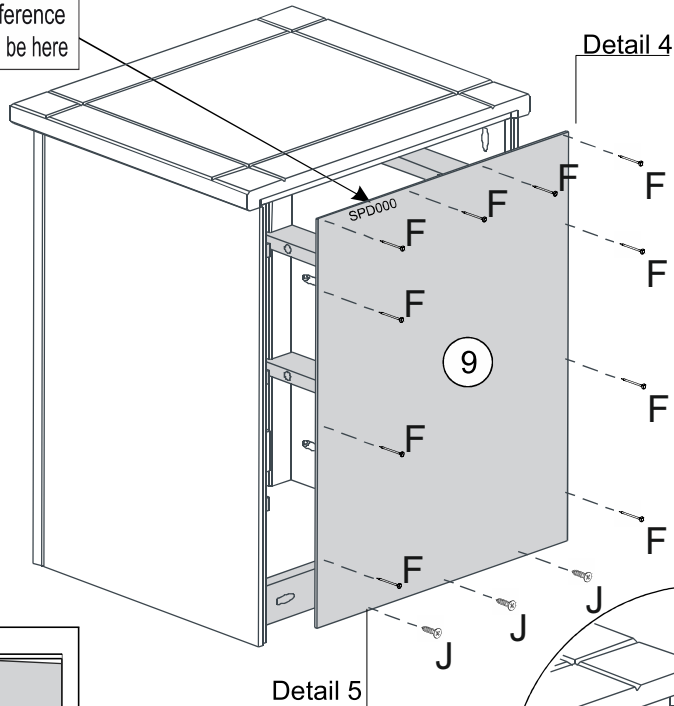
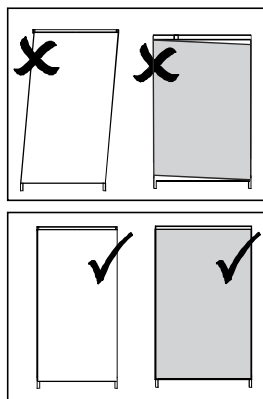
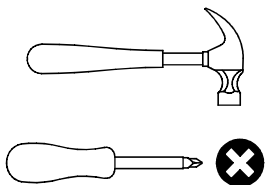


HARDWARE REQUIRED

F  10
Nail 10x10

J  x3
Ø3,5 x 14mm

TOOLS REQUIRED




STEP 9

PARTS REQUIRED

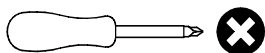
10 - DRAWER FRONT x3

11 - DRAWER SIDE x6

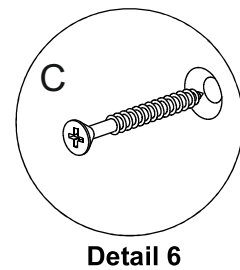
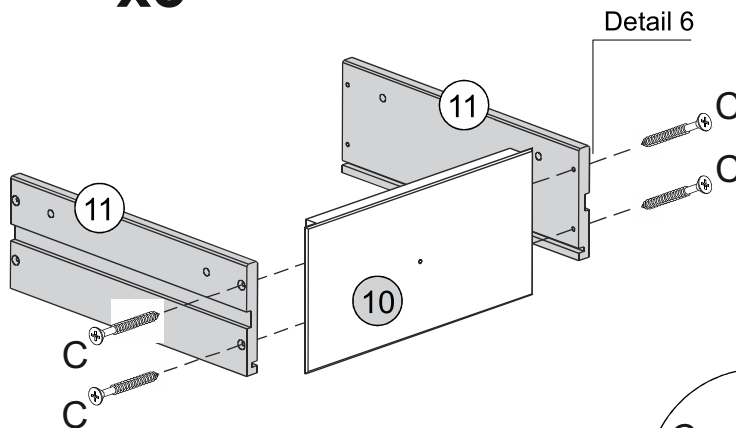
HARDWARE REQUIRED

C  12
Ø3,0 x 30mm

TOOLS REQUIRED



x3

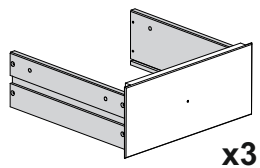


STEP 10

PARTS REQUIRED

12 - DRAWER BOTTOM x3

13 - DRAWER BACK x3

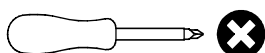


x3

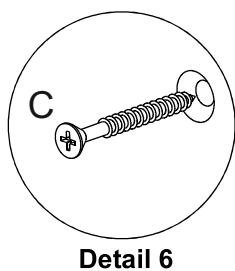
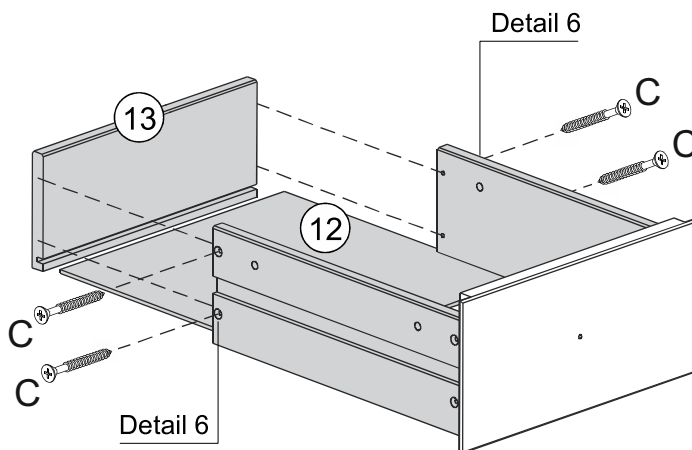
HARDWARE REQUIRED

C  12
Ø3,0 x 30mm

TOOLS REQUIRED

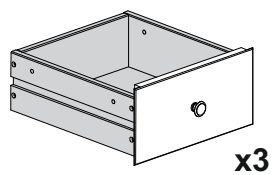


x3



STEP 11

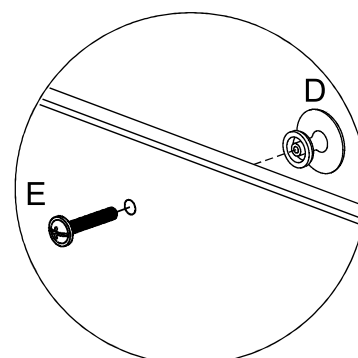
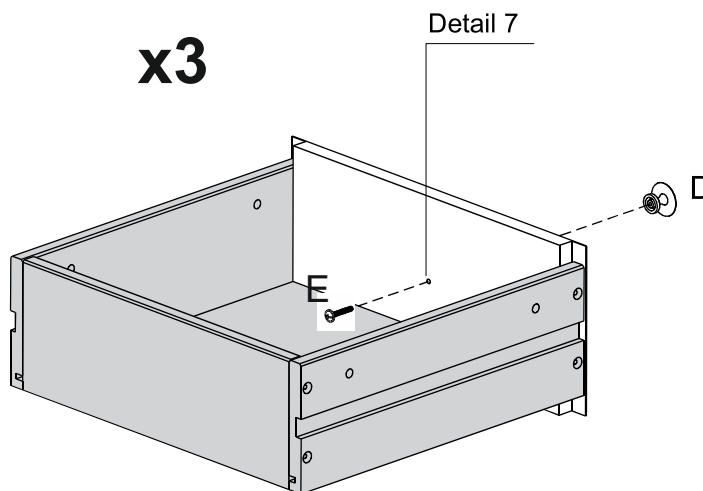
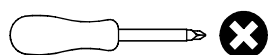
PARTS REQUIRED



HARDWARE REQUIRED



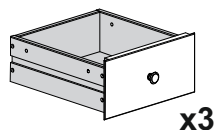
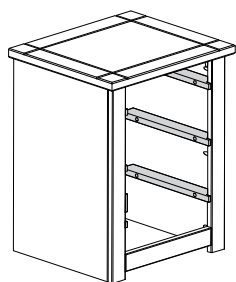
TOOLS REQUIRED



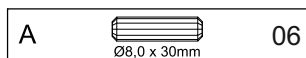
Detail 7

STEP 12

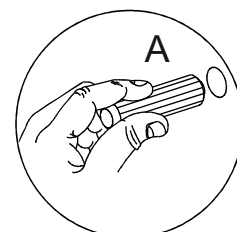
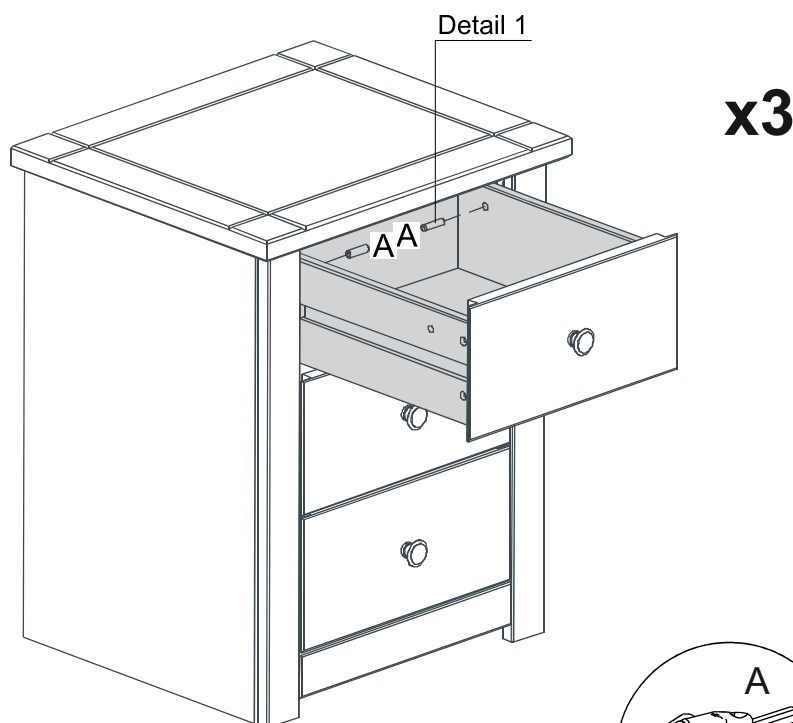
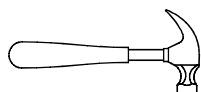
PARTS REQUIRED



HARDWARE REQUIRED



TOOLS REQUIRED

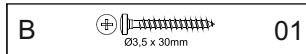


Detail 1

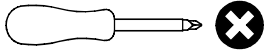
STEP 13

PARTS REQUIRED

HARDWARE REQUIRED



TOOLS REQUIRED



WARNING

Serious or fatal injuries can occur from furniture tipping over. To prevent the furniture from tipping over we recommend that it is permanently fixed to the wall.

Wall fixings are not supplied with this product as different wall materials require different types of fixing devices. Please make sure you use fixings suitable for the walls in your home.

