

CLEVELAND 3 DRAWER BEDSIDE ASSEMBLY INSTRUCTIONS WHITE/GREY METAL EFFECT



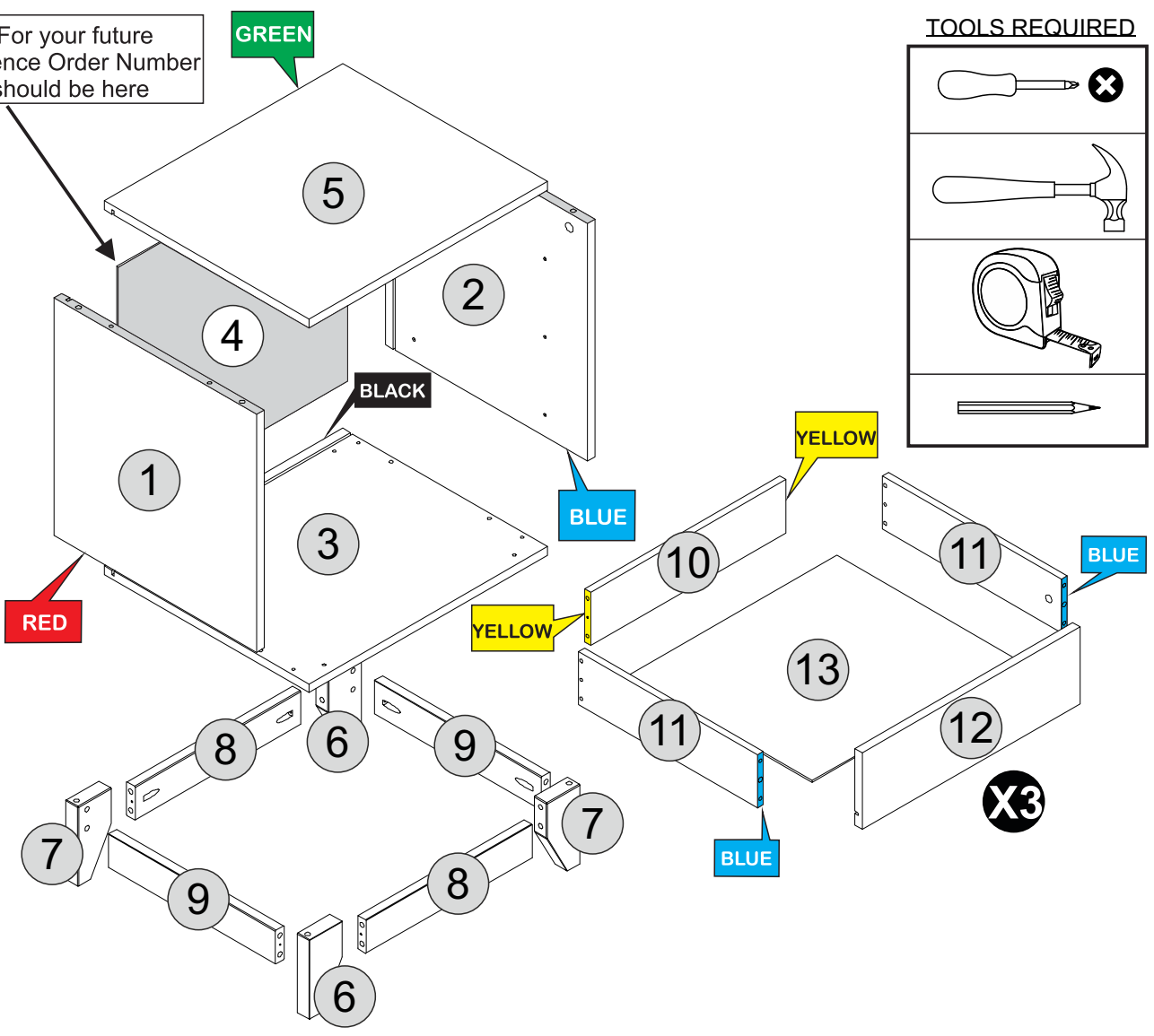
IMPORTANT FOR DOMESTIC USE ONLY

PLEASE READ BEFORE YOU CONTINUE FURTHER

CARE AND MAINTENANCE

- After unpacking this product please keep the original packaging in case it needs to be returned for any reason.
- Please ensure all fittings and parts are present before commencing with assembly.
 - Never drag or push products as this could cause damage to the joints making it inferior.
 - We strongly recommend that you keep children away from your work area.
 - We recommend that you lay a blanket or sheet on the floor to avoid damage to both your floor and the product.
 - Assemble this product as close to its final position as possible.
 - Do not place this product next to a radiator or in direct sunlight.
 - Do not drag or push items across your high gloss furniture as this may cause the surface to scratch
 - Wood is a natural product and may expand if subjected to damp and may shrink or crack if subjected to heat. Therefore it is recommended that room temperature is maintained, with no sudden temperature fluctuations.
 - Make sure any spillage is wiped off immediately.
 - Do not place hot or chilled items directly on to the surface, use a place mat or marking will occur.
 - For general cleaning use a soft cotton or micro fibre cloth, and do not use detergents of any kind.
 - From time to time it may be necessary to tighten fittings, regular inspections should be carried out.
 - Do not place on a wet or damp floor as staining may occur to your floor.

*For your future reference Order Number should be here


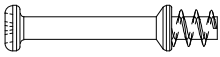
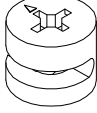
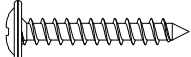
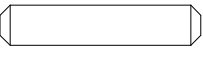
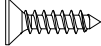
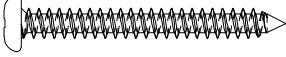
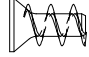
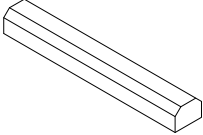
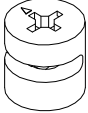
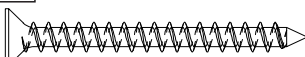
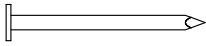
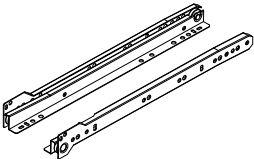
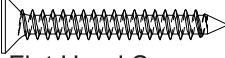






PARTS LIST

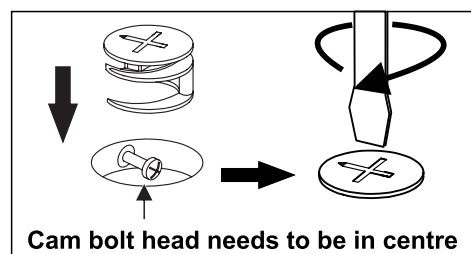
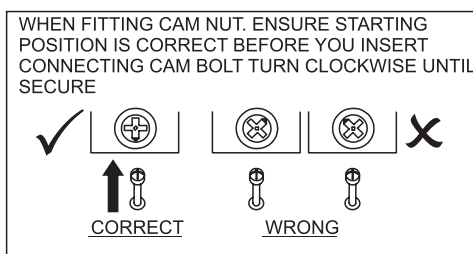
Please Note:
The below parts have all been stamped with the part number/color to help identify them during assembly.

Part Number	Part Code	Part Description	Quantity	Carton
1	S100-103-100-SP1-01	Left Side Panel - RED	1	1/1
2	S100-103-100-SP1-02	Right Side Panel - BLUE	1	1/1
3	S100-103-100-SP1-03	Base Panel - BLACK	1	1/1
4	S100-103-100-SP1-04	Back Panel	1	1/1
5	S100-103-100-SP1-05	Top Panel - GREEN	1	1/1
6	S100-103-100-SP1-06	Left Leg	2	1/1
7	S100-103-100-SP1-07	Right Leg	2	1/1
8	S100-103-100-SP1-08	Leg Support Front & Back	2	1/1
9	S100-103-100-SP1-09	Leg Support Left & Right	2	1/1
10	S100-103-100-SP1-10	Drawer Back - YELLOW	3	1/1
11	S100-103-100-SP1-11	Drawer Sides - BLUE	6	1/1
12	S100-103-100-SP1-12	Drawer Front	3	1/1
13	S100-103-100-SP1-13	Drawer Base	3	1/1

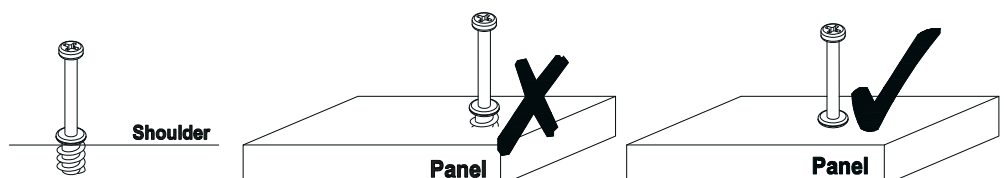
FITTINGS LIST

A  Dowel Ø8,0 x 30mm (20x) 2/+	B  Cam Bolt (10x) 1/+	C  Cam Nut 15mm (4x) 1/+	D  Flan Head Screw Ø3,5 x 25mm (7x) 1/+
E  Dowel Ø6,0 x 30mm (32x) 2/+	F  Flat Head Screw Ø3,5 x 14mm (18x) 1/+	G  Pan Head Screw Ø4,0 x 35mm (8x) 1/+	H  Screw Ø6x10 (12x) 1/+
I  Handle(3x)	J  Cam Nut 12mm (6x) 1/+	K  Flat Head Screw Ø4,0 x 50mm (8x)	L  Nail 10 x 10 (12x)
M  Slide 350mm (3x)	N  Flat Head Screw Ø4,0 x 40mm (6x)	O  Washer (2x)	P  Hole Plugs (12x)
Q  Glue (3x)	R  Strap (1x)		

TIPS FOR FITTINGS CAM-LOCKS



CAMBOLT
 Tighten until shoulder in flush with panel. Do not overtighten or undertighten (see example beside)

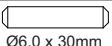


STEP 1

PARTS REQUIRED

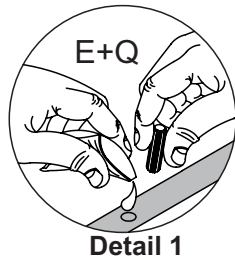
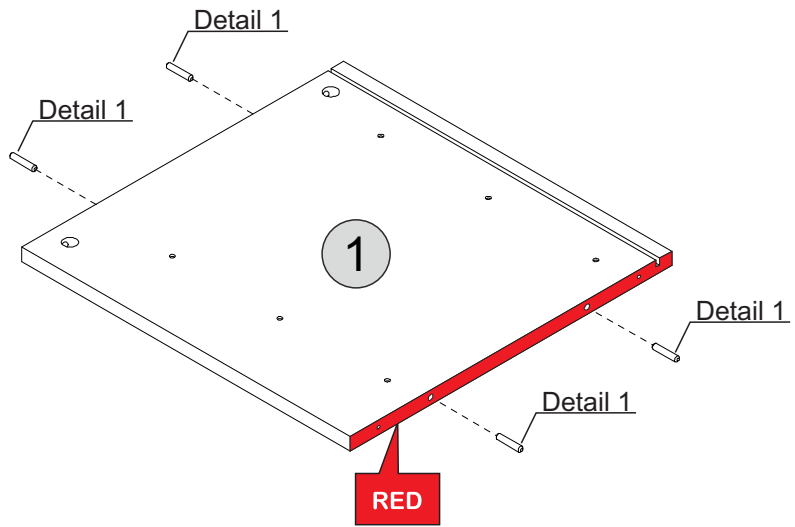
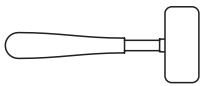
1 - LEFT SIDE PANEL (RED) x1

HARDWARE REQUIRED

E  04
Ø6,0 x 30mm

Q  01
GLUE

TOOLS REQUIRED

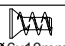


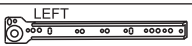
STEP 2

PARTS REQUIRED

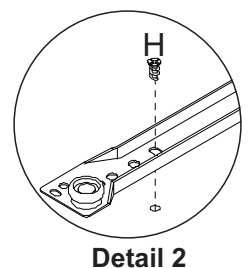
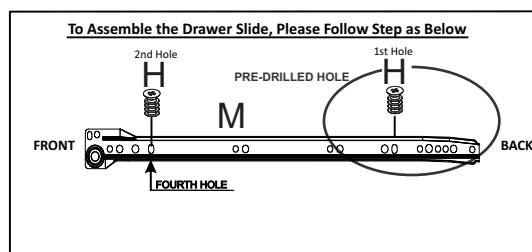
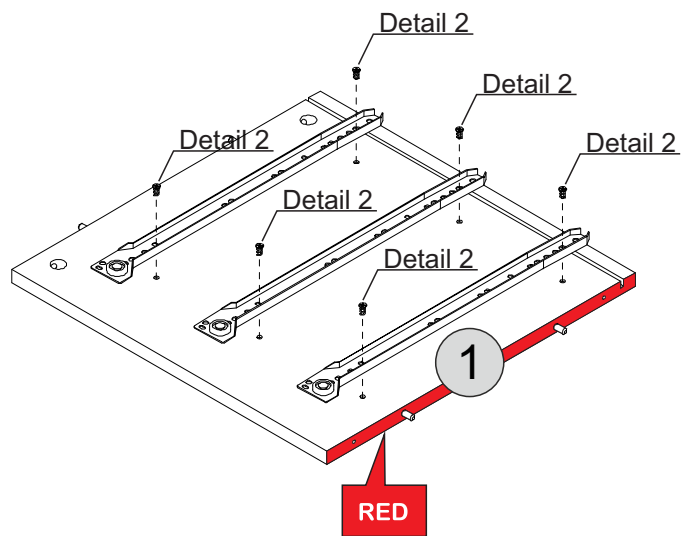
1- LEFT SIDE PANEL (RED) x1

HARDWARE REQUIRED

H  06
Ø6x10mm

M  03
LEFT

TOOLS REQUIRED

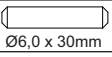


STEP 3

PARTS REQUIRED

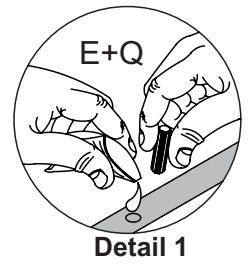
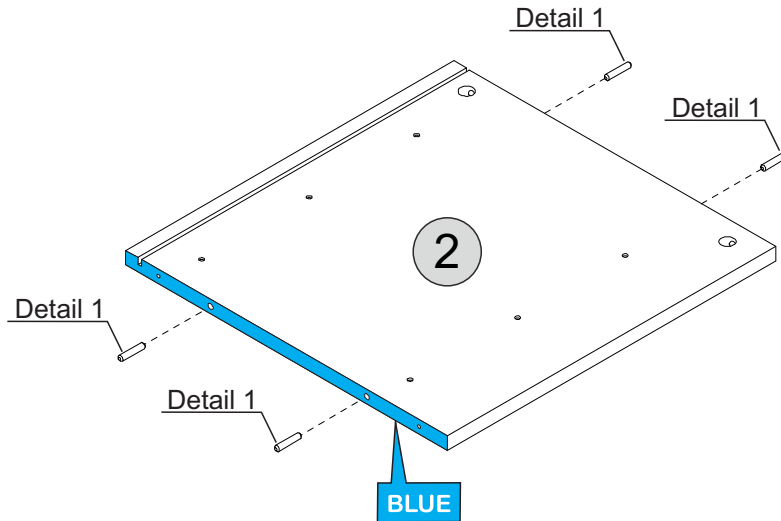
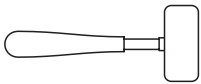
2 - RIGHT SIDE PANEL (BLUE) x1

HARDWARE REQUIRED

E  04
 Ø6,0 x 30mm

Q  01

TOOLS REQUIRED

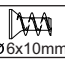


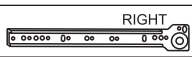
STEP 4

PARTS REQUIRED

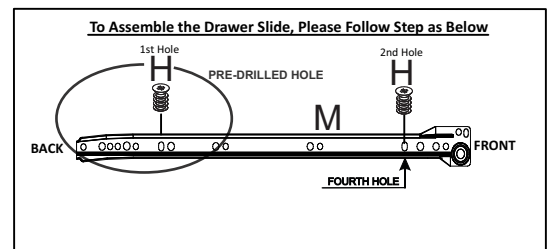
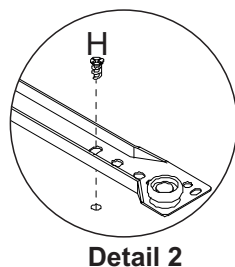
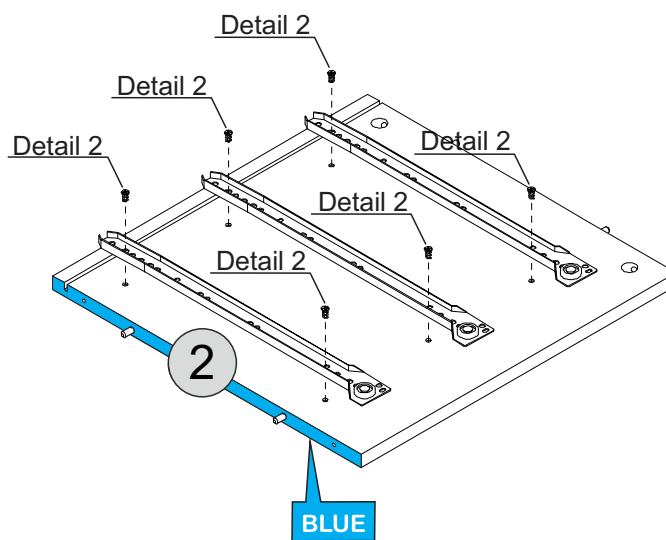
2 - RIGHT SIDE PANEL (BLUE) x1

HARDWARE REQUIRED

H  06
 Ø6x10mm

M  03

TOOLS REQUIRED

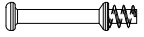


STEP 5

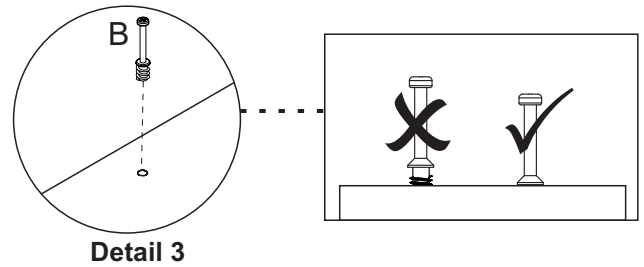
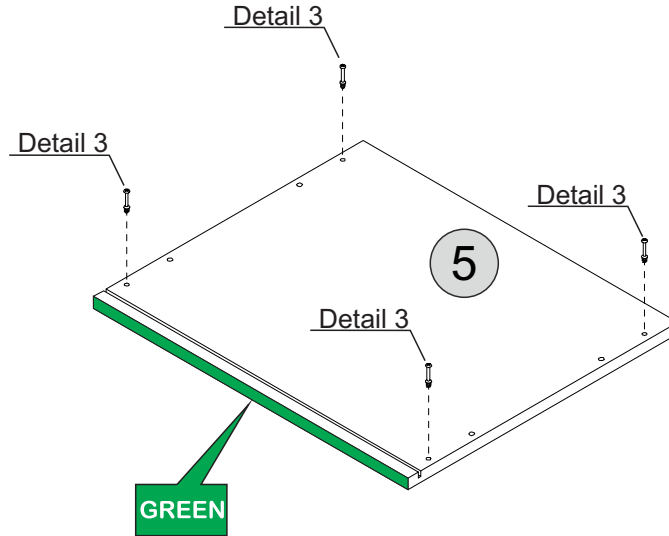
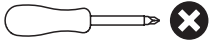
PARTS REQUIRED

5 - TOP PANEL (GREEN) x1

HARDWARE REQUIRED

B  04

TOOLS REQUIRED



STEP 6

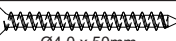
PARTS REQUIRED

1 - LEFT SIDE PANEL (RED) x1

2 - RIGHT SIDE PANEL (BLUE) x1

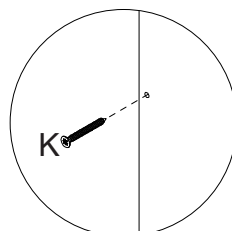
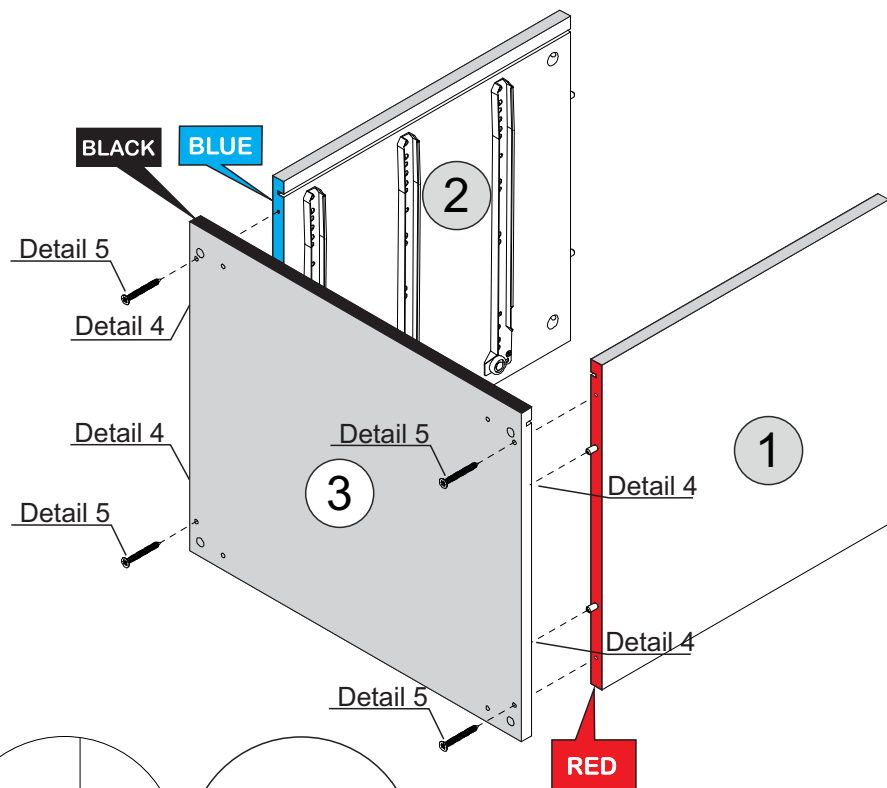
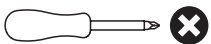
3 - BASE PANEL (BLACK) x1

HARDWARE REQUIRED

K  04
Ø4,0 x 50mm

Q  01

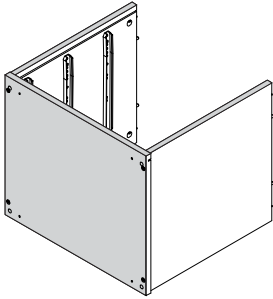
TOOLS REQUIRED



STEP 7

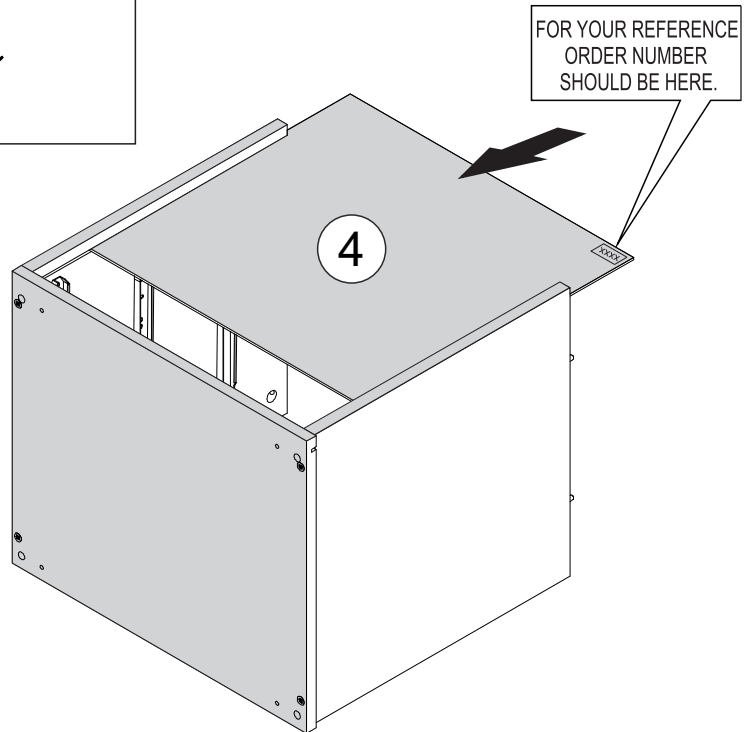
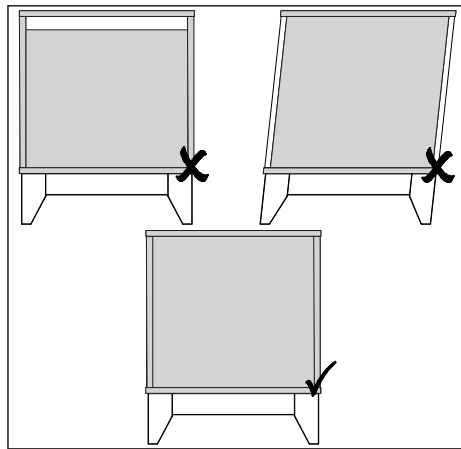
PARTS REQUIRED

4- BACK PANEL x1



HARDWARE REQUIRED

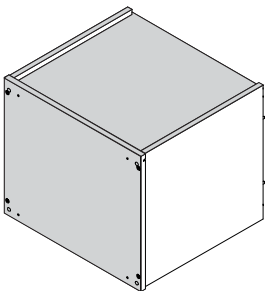
TOOLS REQUIRED



STEP 8

PARTS REQUIRED

5 - TOP PANEL (GREEN) x1

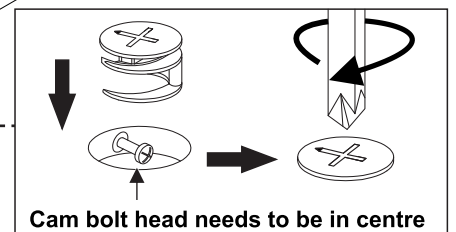
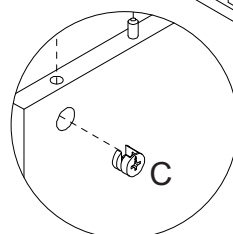
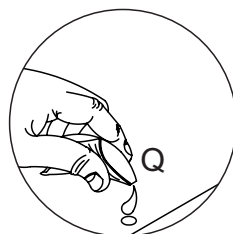
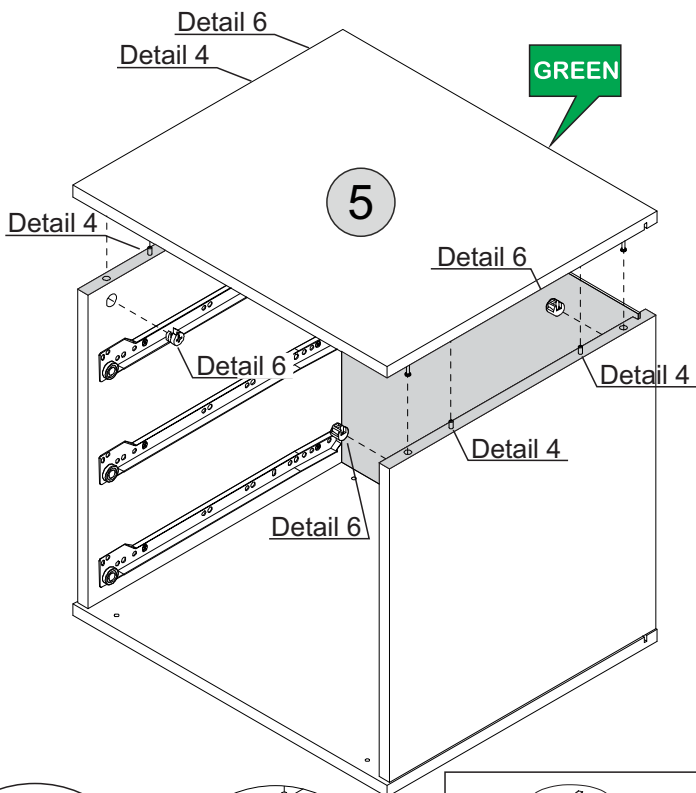
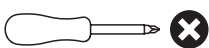


HARDWARE REQUIRED

C  Ø15mm 04

Q  GLUE 01

TOOLS REQUIRED



Detail 4

Detail 6

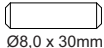
STEP 9

PARTS REQUIRED

6 - LEFT LEG x2

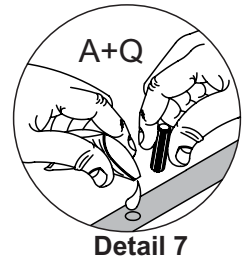
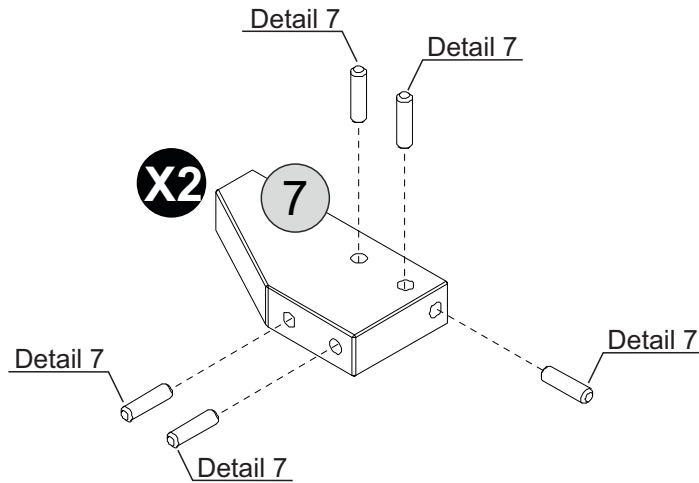
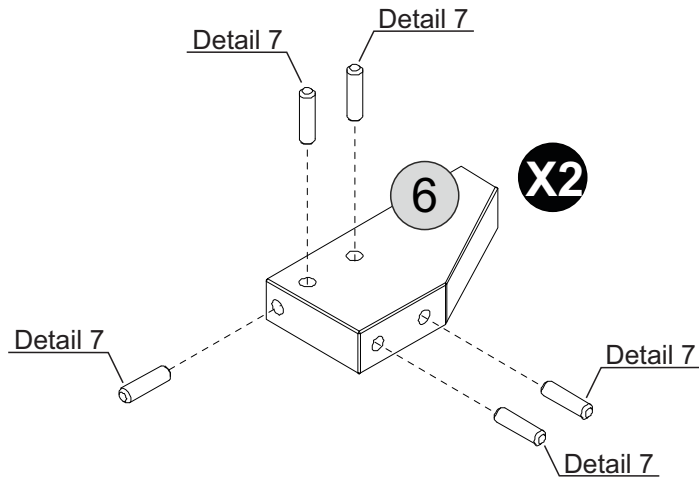
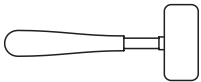
7 - RIGHT LEG x2

HARDWARE REQUIRED

A  20
Ø8,0 x 30mm

Q  01
GLUE

TOOLS REQUIRED



STEP 10

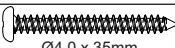
PARTS REQUIRED

6 - LEFT LEG x2

7 - RIGHT LEG x2

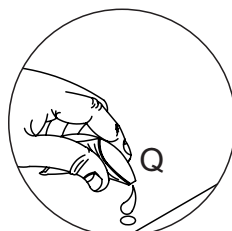
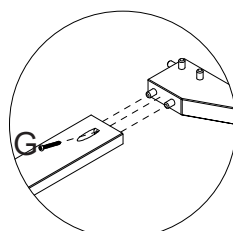
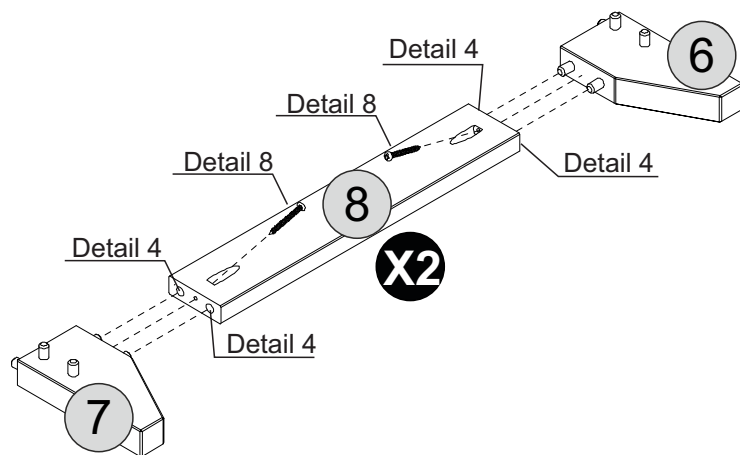
8- LEG SUPPORT FRONT &BACK x2

HARDWARE REQUIRED

G  04
Ø4,0 x 35mm

Q  01
GLUE

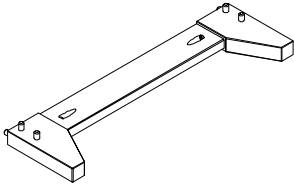
TOOLS REQUIRED



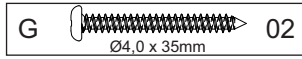
STEP 11

PARTS REQUIRED

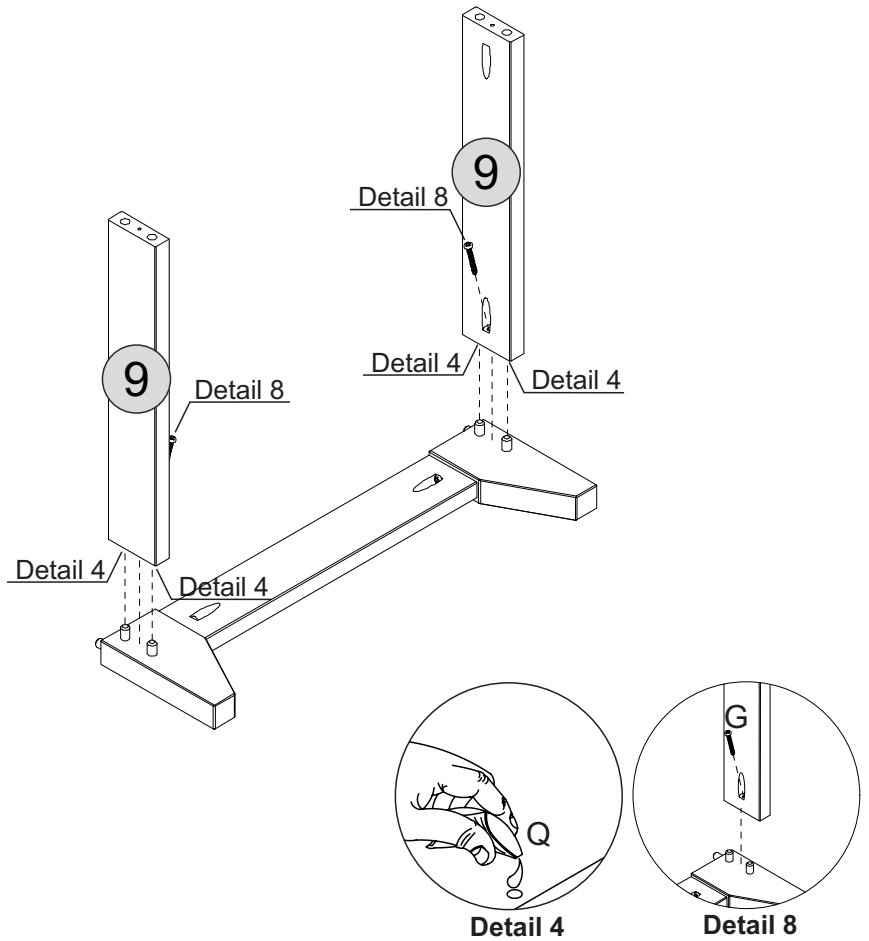
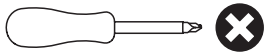
9 - LEG SUPPORT LEFT & RIGHT x2



HARDWARE REQUIRED

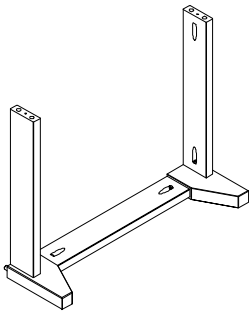


TOOLS REQUIRED

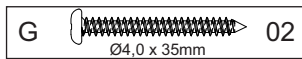


STEP 12

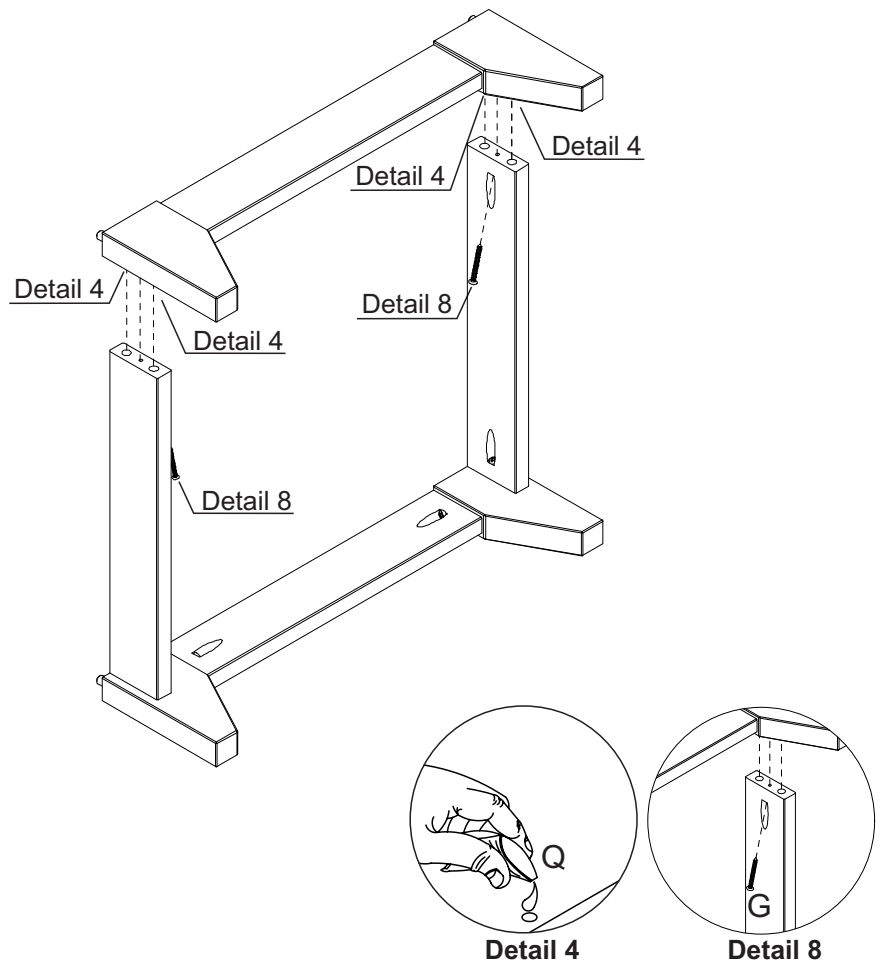
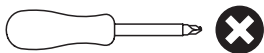
PARTS REQUIRED



HARDWARE REQUIRED

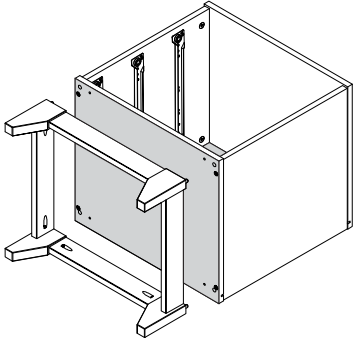


TOOLS REQUIRED

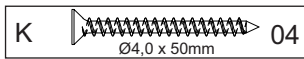


STEP 13

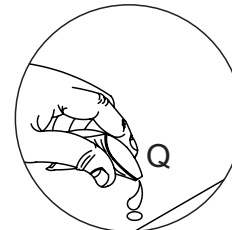
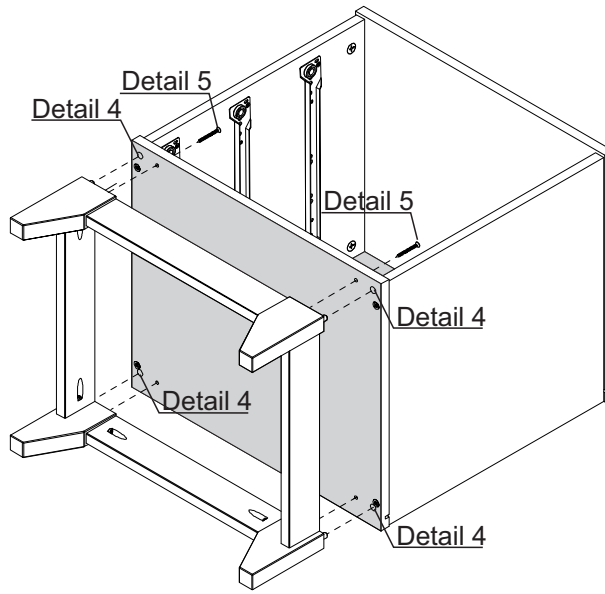
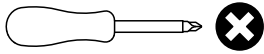
PARTS REQUIRED



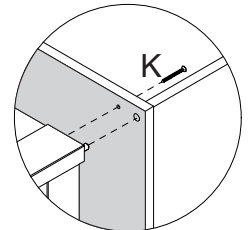
HARDWARE REQUIRED



TOOLS REQUIRED



Detail 4



Detail 5

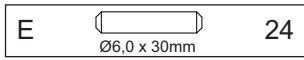
STEP 14

PARTS REQUIRED

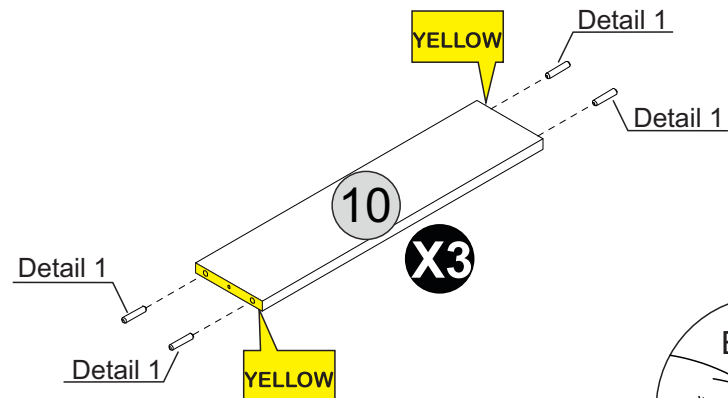
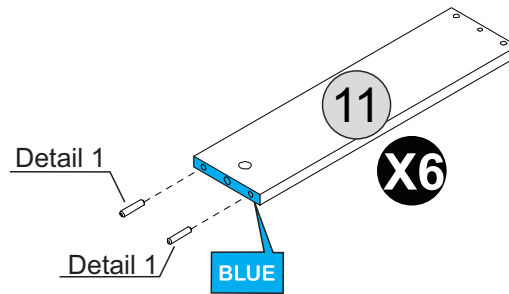
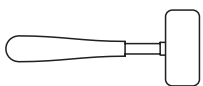
10 - DRAWER BACK (YELLOW) x3

11 - DRAWER SIDES (BLUE) x6

HARDWARE REQUIRED



TOOLS REQUIRED



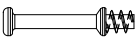
Detail 1

STEP 15

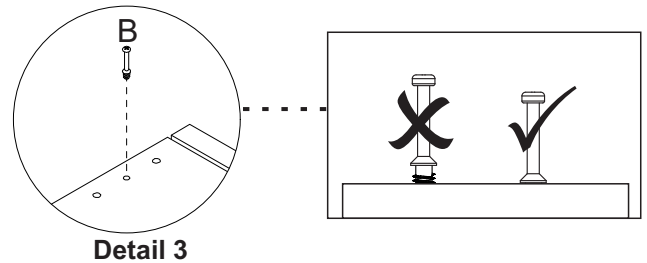
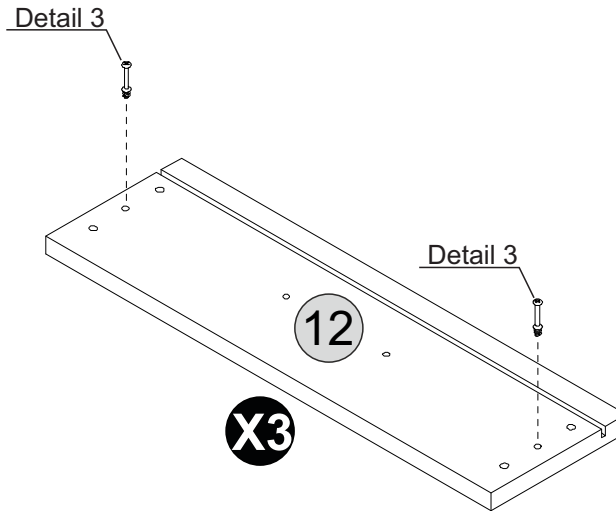
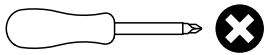
PARTS REQUIRED

12 - DRAWER FRONT x3

HARDWARE REQUIRED

B  06

TOOLS REQUIRED



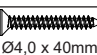
STEP 16

PARTS REQUIRED

10 - DRAWER BACK (YELLOW) x3

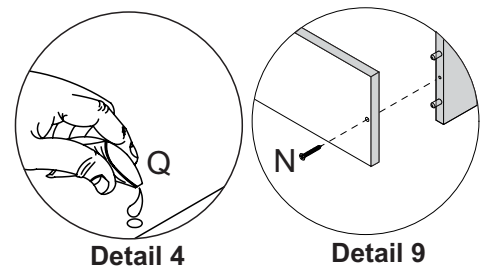
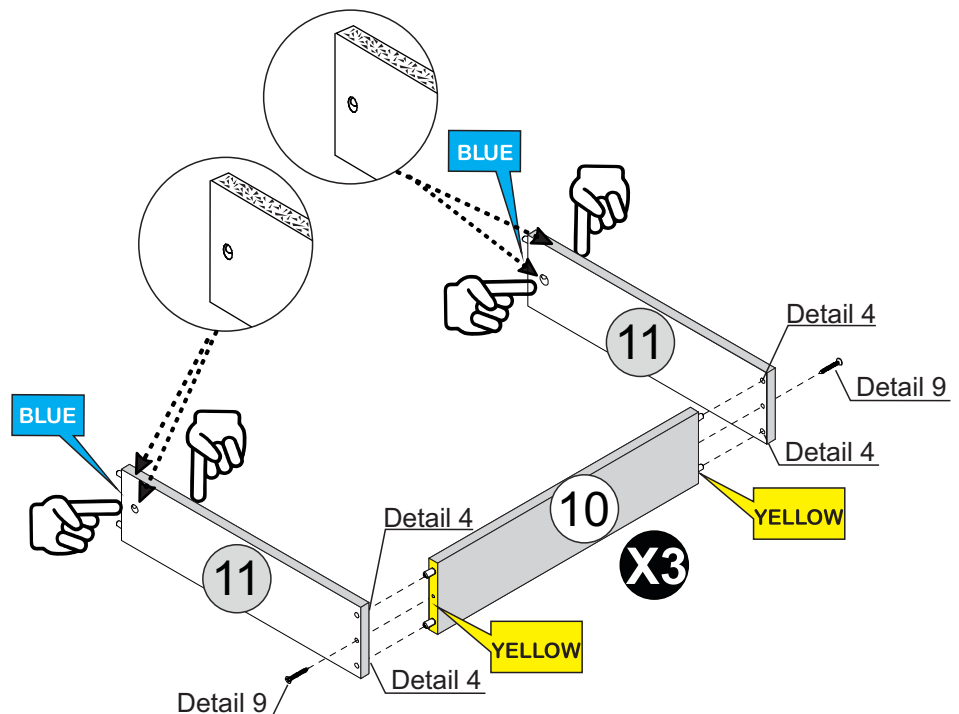
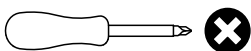
11 - DRAWER SIDES (BLUE) x6

HARDWARE REQUIRED

N  06
Ø4,0 x 40mm

Q  01

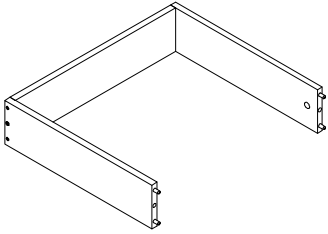
TOOLS REQUIRED



STEP 17

PARTS REQUIRED

12 - DRAWER FRONT x3

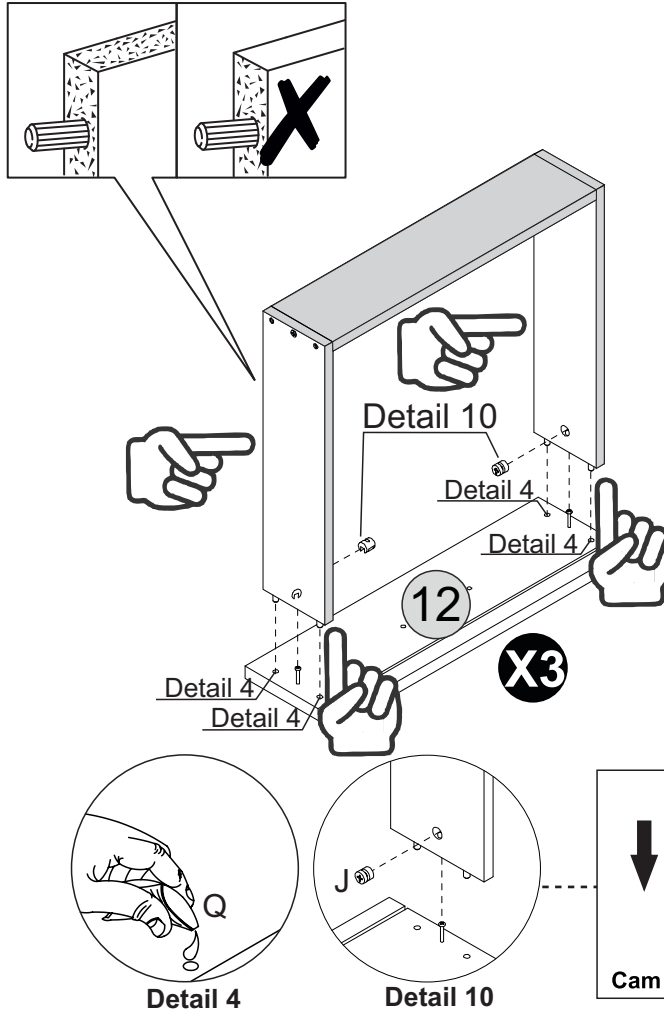
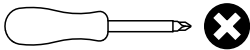


HARDWARE REQUIRED

J  Ø12mm 06

Q  GLUE 01

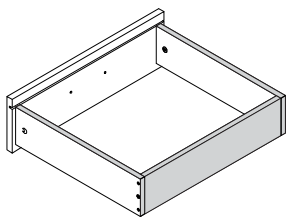
TOOLS REQUIRED



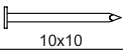
STEP 18

PARTS REQUIRED

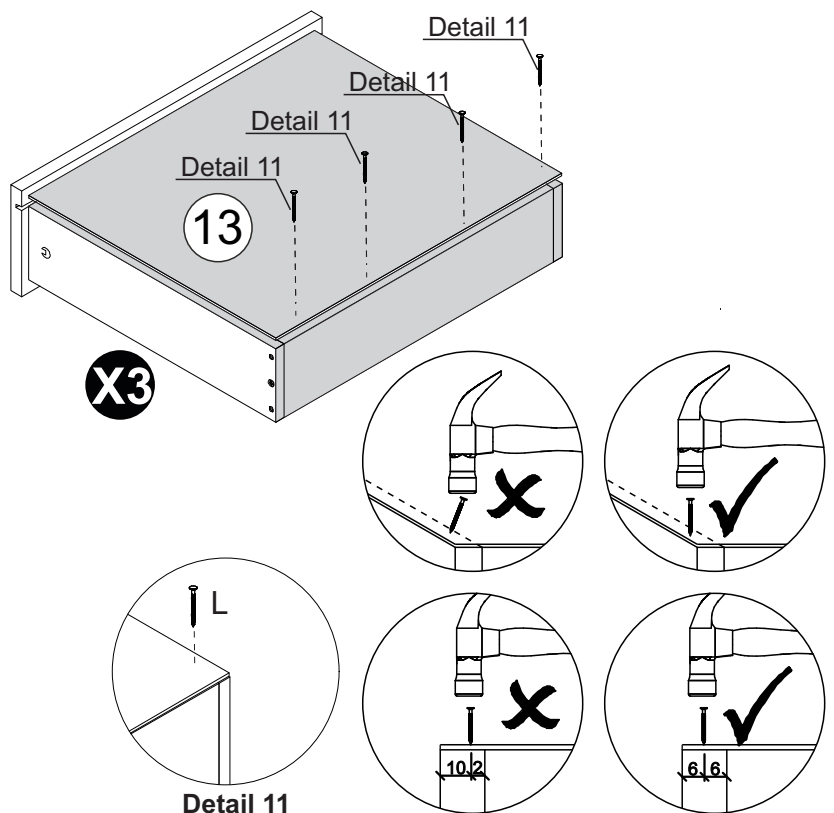
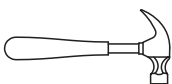
13 - DRAWER BASE x3



HARDWARE REQUIRED

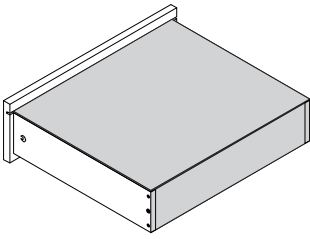
L  10x10 12

TOOLS REQUIRED

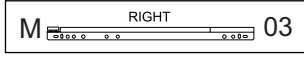
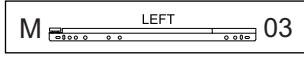
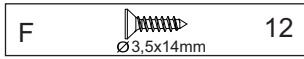


STEP 19

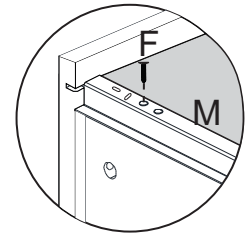
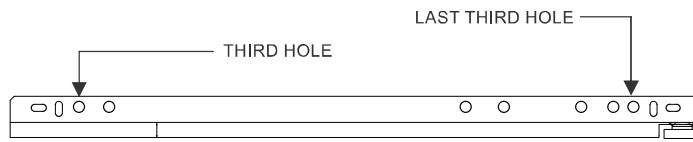
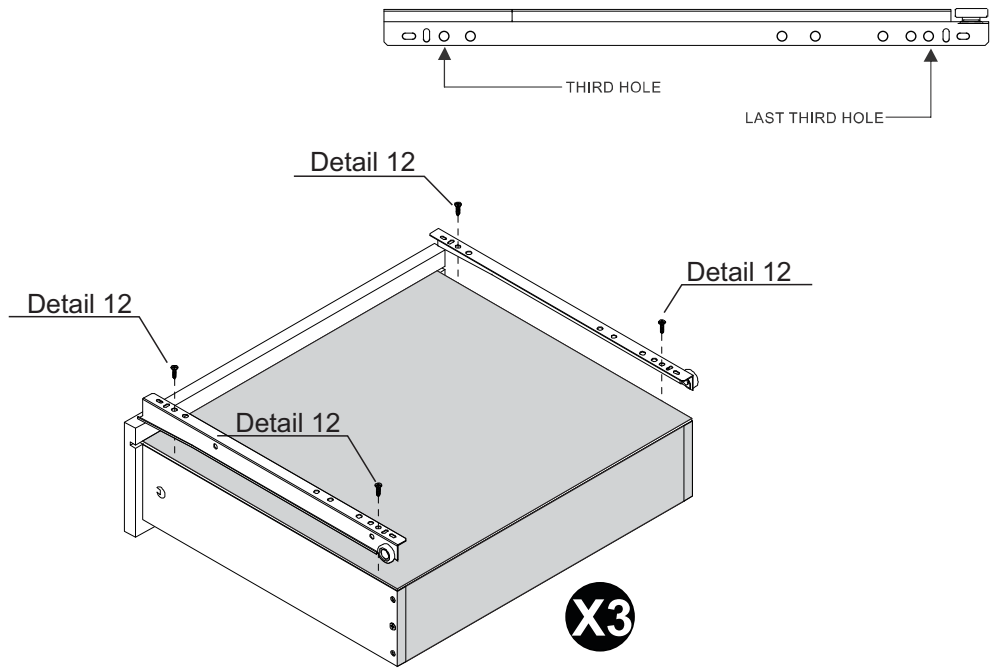
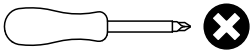
PARTS REQUIRED



HARDWARE REQUIRED



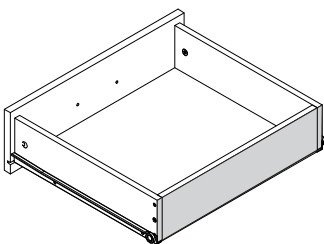
TOOLS REQUIRED



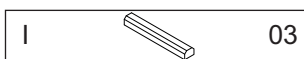
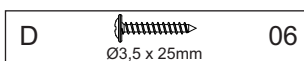
Detail 12

STEP 20

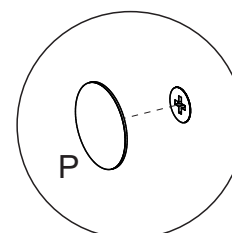
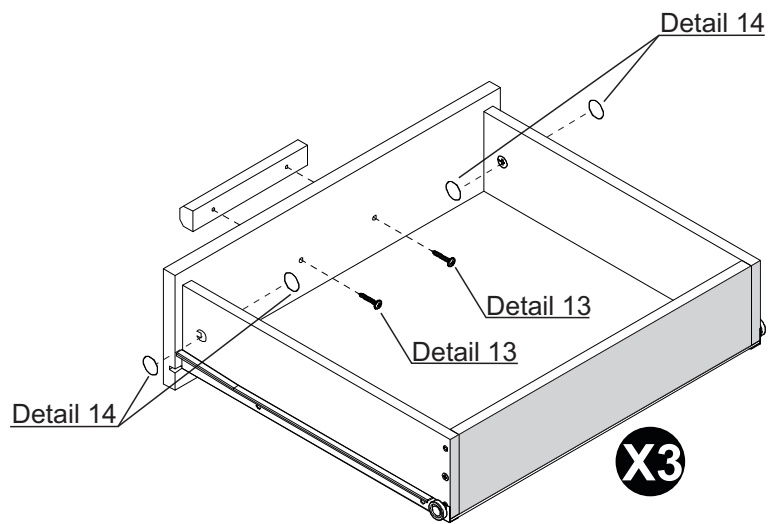
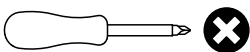
PARTS REQUIRED



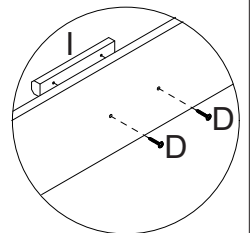
HARDWARE REQUIRED



TOOLS REQUIRED



Detail 14



Detail 13

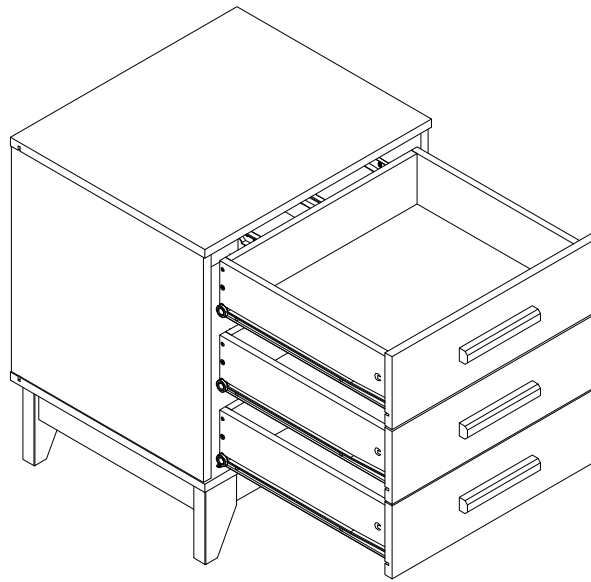
STEP 21

PARTS REQUIRED



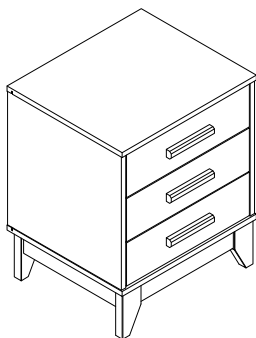
HARDWARE REQUIRED

TOOLS REQUIRED

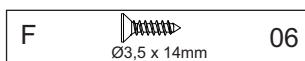


STEP 22

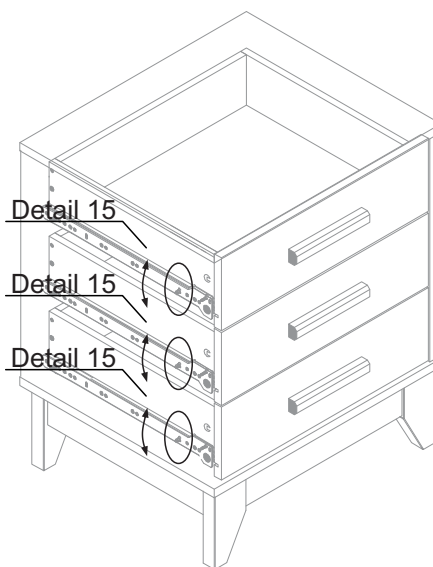
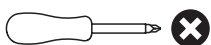
PARTS REQUIRED



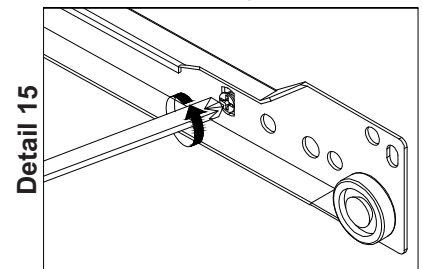
HARDWARE REQUIRED



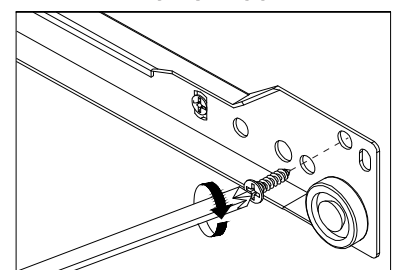
TOOLS REQUIRED



Drawer Adjustment

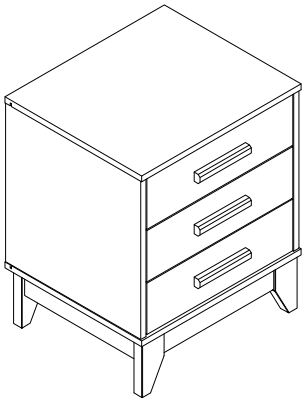


Drawer Lock

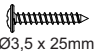




STEP 23

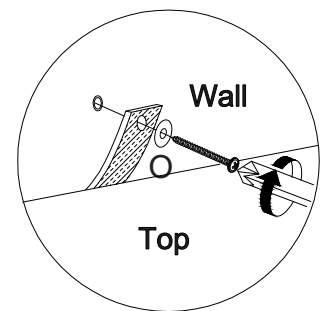
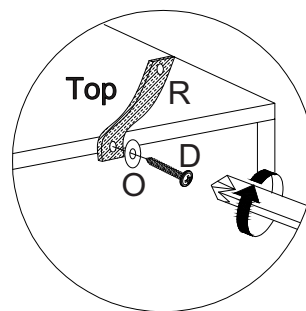
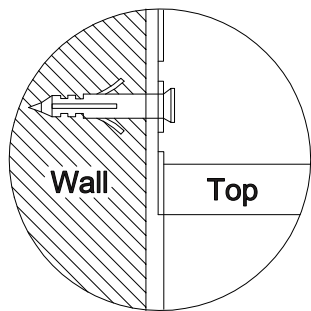
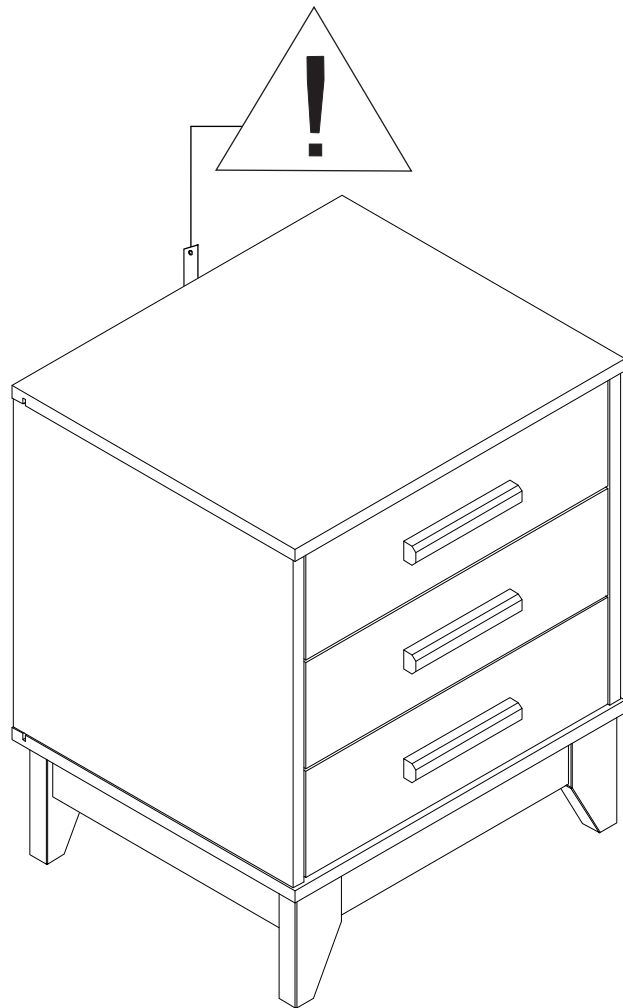
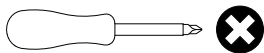
PARTS REQUIRED



HARDWARE REQUIRED

D	 Ø3,5 x 25mm	01
O		02
R		01

TOOLS REQUIRED



WARNING

Serious or fatal injuries can occur from furniture tipping over. To prevent the furniture from tipping over we recommend that it is permanently fixed to the wall.

Wall fixings are not supplied with this product as different wall materials require different types of fixing devices. Please make sure you use fixings suitable for the walls in your home.