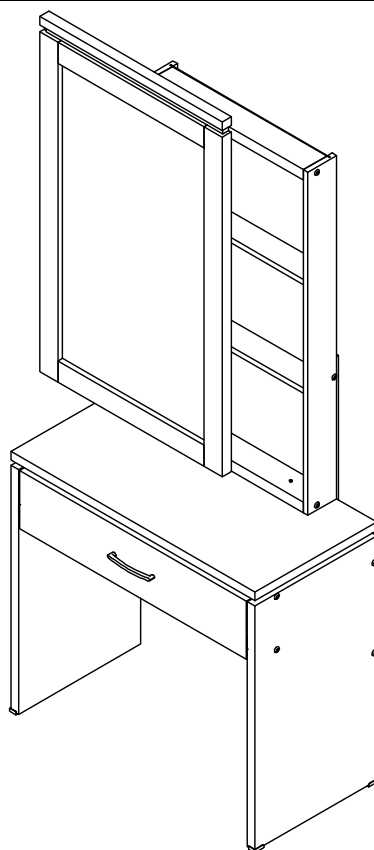


CHARLES 1 DRAWER DRESSING TABLE & MIRROR FRAME

ASSEMBLY INSTRUCTIONS



FOR DOMESTIC USE ONLY

IMPORTANT

PLEASE READ BEFORE YOU CONTINUE FURTHER

THE PRODUCT YOU HAVE PURCHASED WILL GIVE YOU MANY YEARS OF SERVICE IF YOU FOLLOW THE GUIDELINES FOR ITS SAFE ASSEMBLY AND PERIODIC MAINTENANCE AND CLEANING.

ASSEMBLE ON A SOFT CLEAN SURFACE.

DO NOT USE ANY TOOLS OTHER THAN THOSE SHOWN.

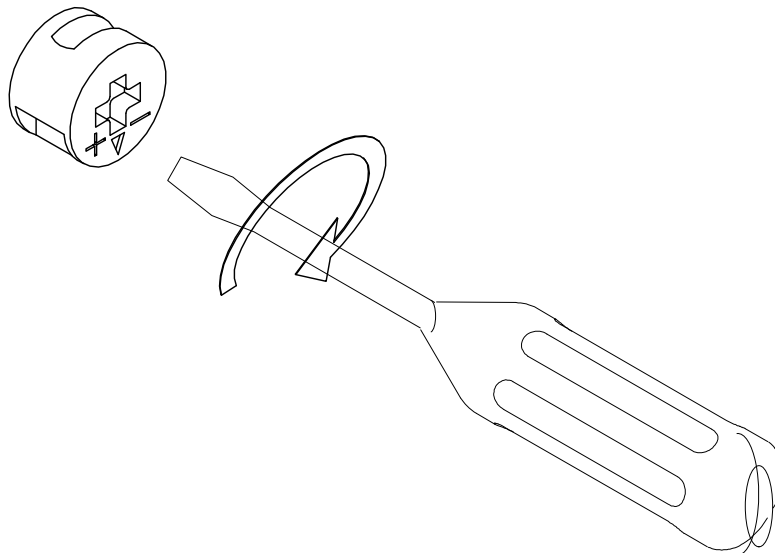
ANY SPANNERS OR ALLEN KEYS REQUIRED ARE INCLUDED WITH THE FITTINGS KIT.

DO NOT FOR ANY REASON USE A POWER TOOL TO ASSEMBLE THIS PRODUCT. ITS USE WILL INVALIDATE ANY CLAIM YOU MAY HAVE AND COULD MAKE THIS PRODUCT UNSAFE.

DEPENDING ON THE AMOUNT OF USE THIS PRODUCT RECEIVES IT MAY BE NECESSARY TO TIGHTEN UP THE FIXINGS FROM TIME TO TIME. THIS IS COMPLETELY NORMAL FOR ANY FLAT PACK FURNITURE. DO NOT OVERTIGHTEN FIXING.

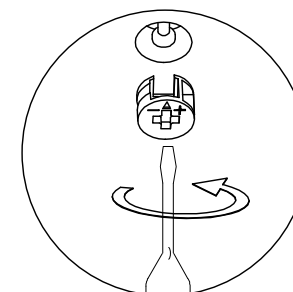
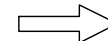
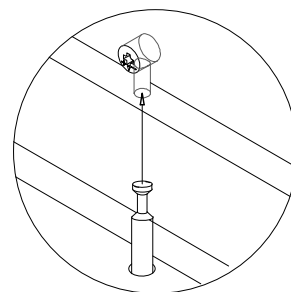
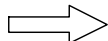
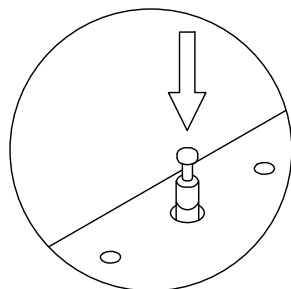
FOR CLEANING, YOU MAY USE A DAMP CLOTH (NOT WET) DO NOT USE POLISH, DETERGENT OR CHEMICAL CLEANERS.

THE SURFACE OF THIS ITEM IS NOT HEAT RESISTANT. ALWAYS USE A PLACE MAT UNDER HOT OR COLD ITEMS TO PREVENT MARKING.



(SCREWDRIVER NOT PROVIDED)

USE A FLAT HEAD SCREWDRIVER TO TIGHTEN THE CAM NUTS. A QUARTER TURN CLOCKWISE IS ALL THAT IS NEEDED.



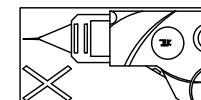
STEP 1 - PUSH CAM BOLT INTO INSERT

STEP 2 - ALIGN THE CAM BOLT WITH THE HOLE AND PUSH TOGETHER UNTIL FLUSH. (MAKE SURE THE ARROW OF THE CAM LOCK IS POINTING TOWARD THE EDGE OF THE PANEL.)

STEP 3 - THE HEAD OF THE BOLT GOES INTO THE WIDE MOUTH OF THE CAM LOCK. YOU THEN TURN THE LOCK SO THE NARROW PART CLOSES OVER THE BOLT.

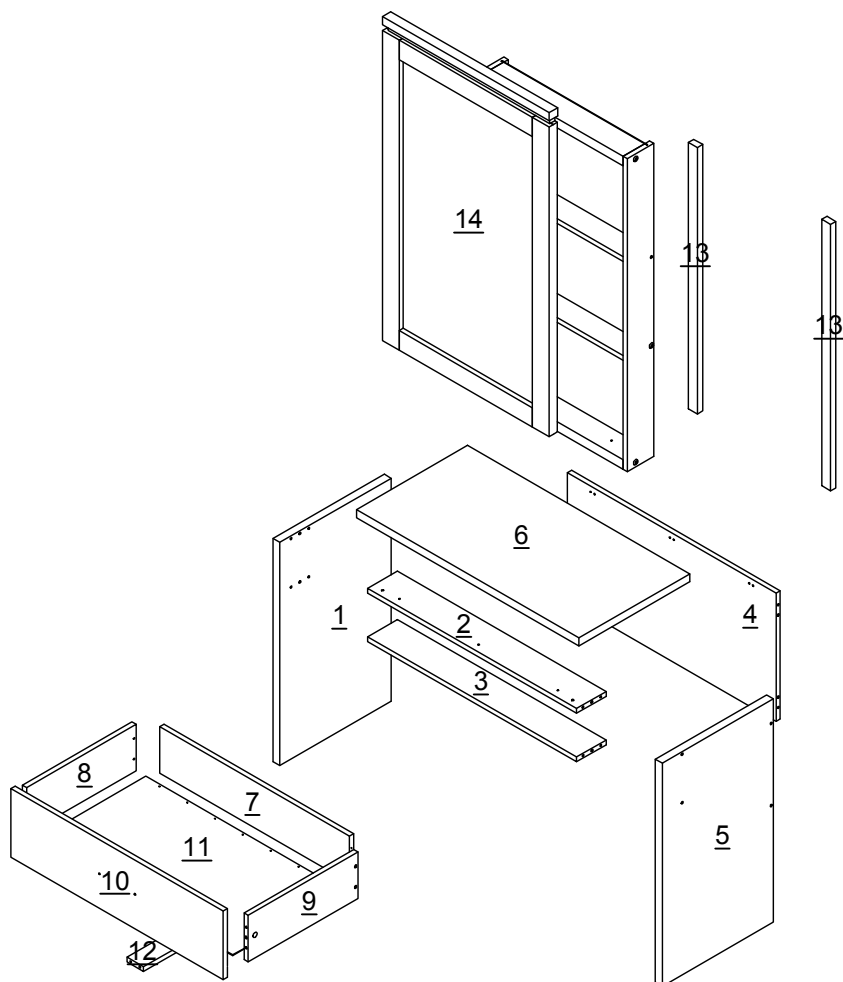


CAUTION: THE USE OF POWER TOOLS TO ASSEMBLE THIS PRODUCT WILL INVALIDATE ANY CLAIM AND MAY DAMAGE THIS PRODUCT MAKING IT UNSAFE.



PARTS

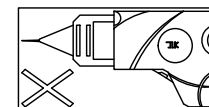
PLEASE CHECK THAT YOU HAVE ALL THE PARTS LISTED BEFORE YOU START ASSEMBLING. IF YOU DO FIND THAT SOMETHING IS MISSING, DO NOT CONTINUE ASSEMBLY, PLEASE CONTACT YOUR SUPPLIER IMMEDIATELY.







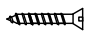
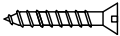
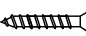

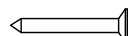

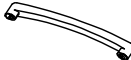
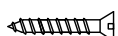


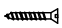



PARTS LIST

1	SIDE PANEL - LEFT	1 PC
2	TOP FRONT CROSSBAR	1 PC
3	LOWER FRONT CROSSBAR	1 PC
4	BACK PANEL	1 PC
5	SIDE PANEL - RIGHT	1 PC
6	TOP PANEL	1 PC
7	DRAWER BACK	1 PC
8	DRAWER SIDE - LEFT	1 PC
9	DRAWER SIDE - RIGHT	1 PC
10	DRAWER FRONT	1 PC
11	DRAWER BASE	1 PC
12	DRAWER SUPPORT RAIL	1 PC
13	BACK MIRROR SUPPORT	2 PCS
14	MIRROR	1 PC

! CAUTION: THE USE OF POWER TOOLS TO ASSEMBLE THIS PRODUCT WILL INVALIDATE ANY CLAIM AND MAY DAMAGE THIS PRODUCT MAKING IT UNSAFE.

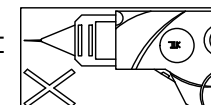


HARDWARE LIST

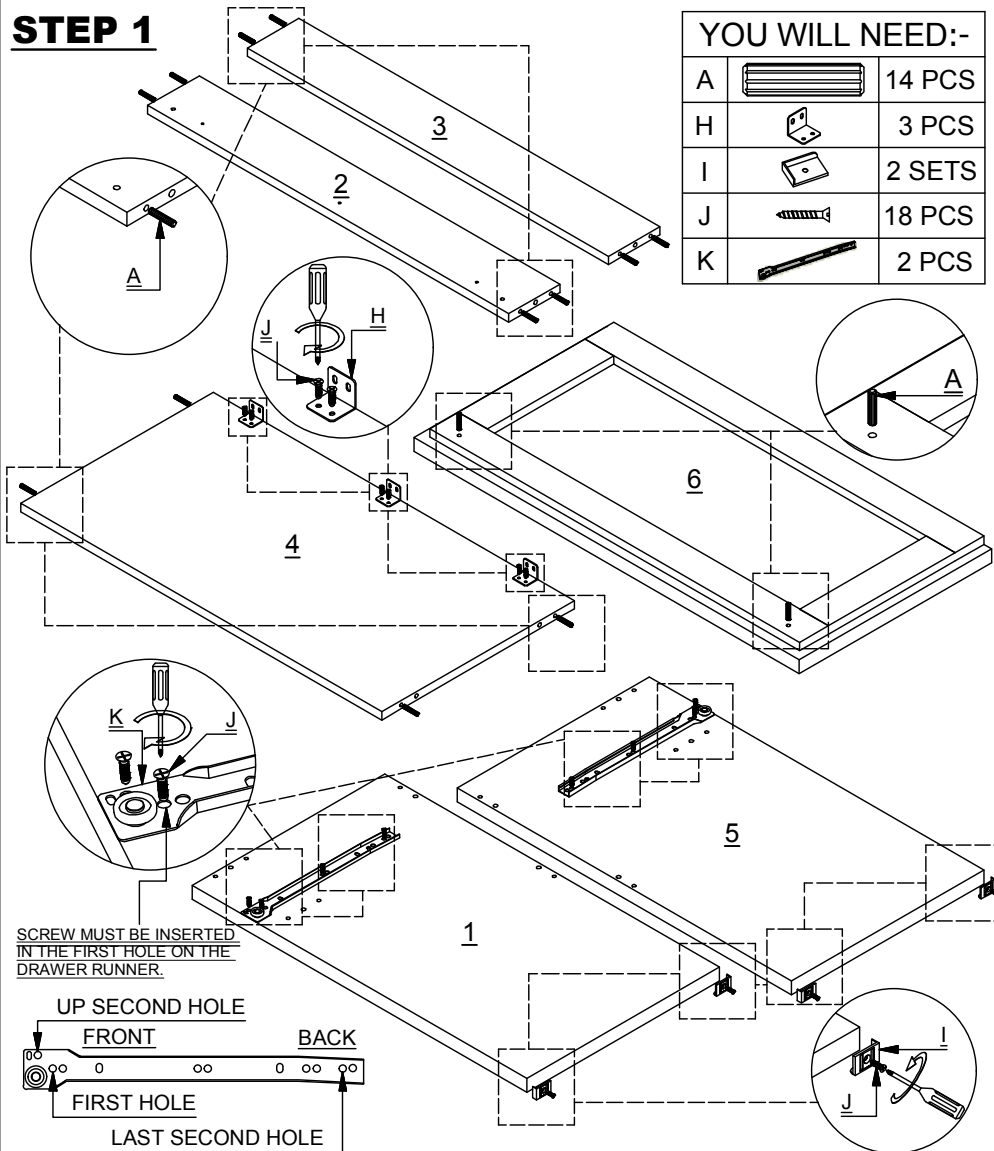
A		DOWEL 6 X 30MM	20 PCS	N		CAM BOLT + CAM NUT	2 SETS
B		BOLT M7 X 60MM	8 PCS	O		SHELF SUPPORT	8 PCS
C		SCREW 4 X 30MM	11 PCS	P		SCREW 4 X 50MM	2 PCS
D		SCREW 4 X 38MM	4 PCS	Q		ANTI - TIP STRAP	2 PCS
E		TACK	7 PCS	R		SCREW M4 X 16MM	2 PCS
F		HANDLE	1 PC				
G		HANDLE SCREW 4 X 30MM	2 PCS				
H		L-BRACKET	3 PCS				
I		EDGE PROTECTOR	2 SETS				
J		SCREW 3.5 X 16MM	30 PCS				
K		DRAWER RUNNER A	2 PCS				
L		DRAWER RUNNER B	2 PCS				
M		ALLEN KEY	1 PC				



CAUTION: THE USE OF POWER TOOLS TO ASSEMBLE THIS PRODUCT WILL INVALIDATE ANY CLAIM AND MAY DAMAGE THIS PRODUCT MAKING IT UNSAFE.



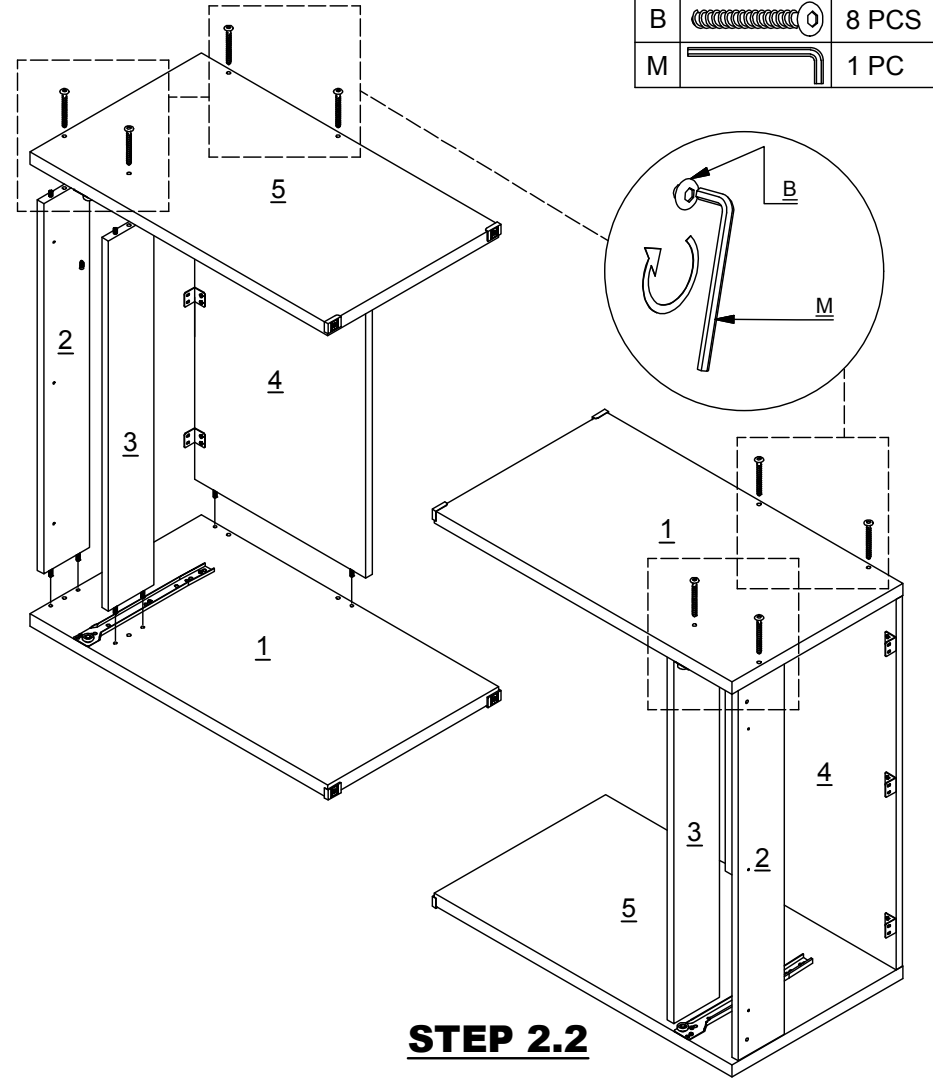
STEP 1



YOU WILL NEED:-

A		14 PCS
H		3 PCS
I		2 SETS
J		18 PCS
K		2 PCS

STEP 2.1

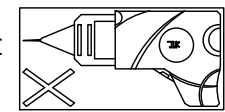


YOU WILL NEED:-

B		8 PCS
M		1 PC

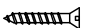
STEP 2.2

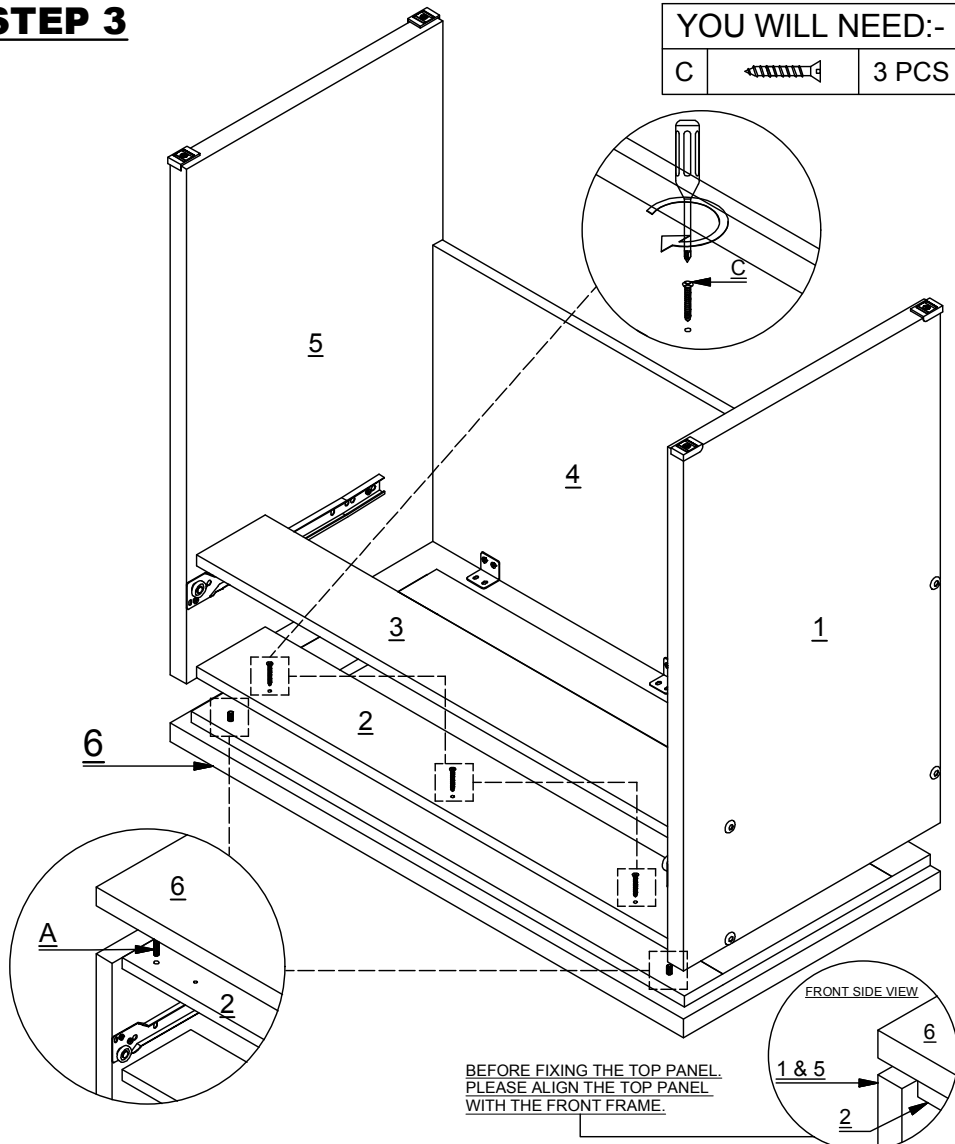
! CAUTION: THE USE OF POWER TOOLS TO ASSEMBLE THIS PRODUCT WILL INVALIDATE ANY CLAIM AND MAY DAMAGE THIS PRODUCT MAKING IT UNSAFE.



STEP 3

YOU WILL NEED:-

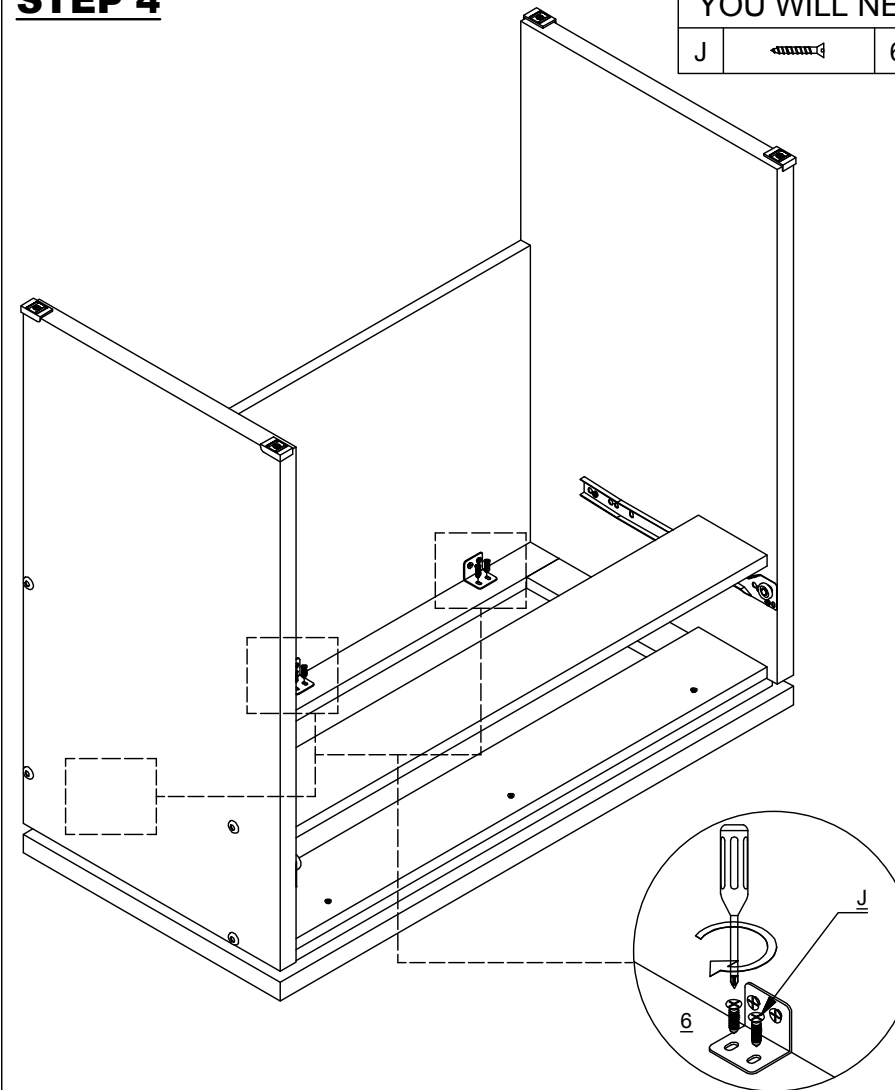
C		3 PCS
---	---	-------



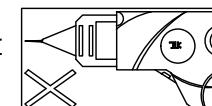
STEP 4

YOU WILL NEED:-

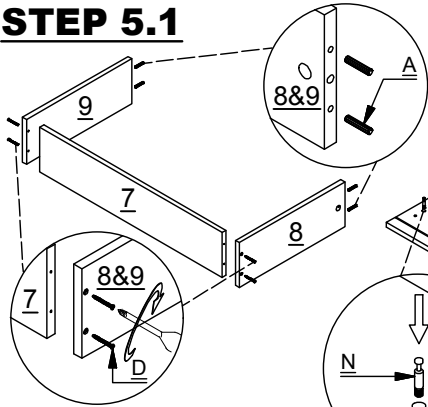
J		6 PCS
---	---	-------



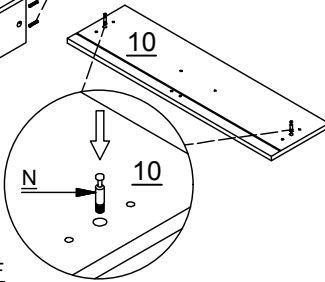
! **CAUTION:** THE USE OF POWER TOOLS TO ASSEMBLE THIS PRODUCT WILL INVALIDATE ANY CLAIM AND MAY DAMAGE THIS PRODUCT MAKING IT UNSAFE.



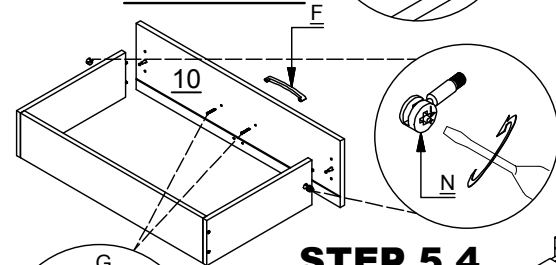
STEP 5.1



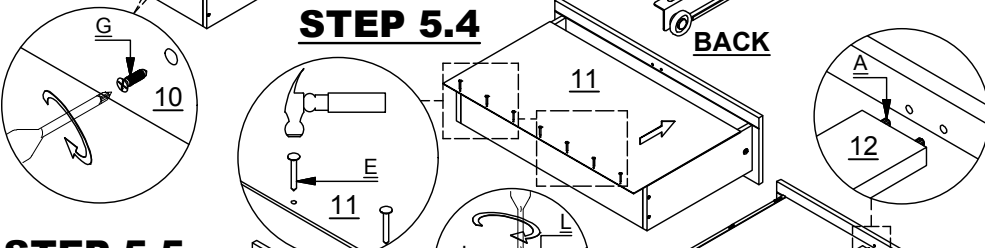
STEP 5.2



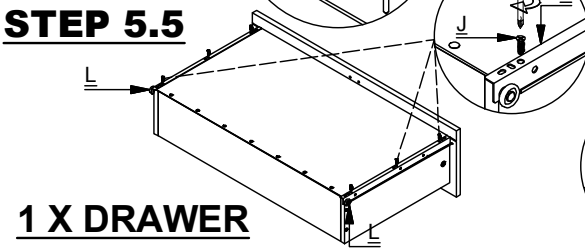
STEP 5.3



STEP 5.4



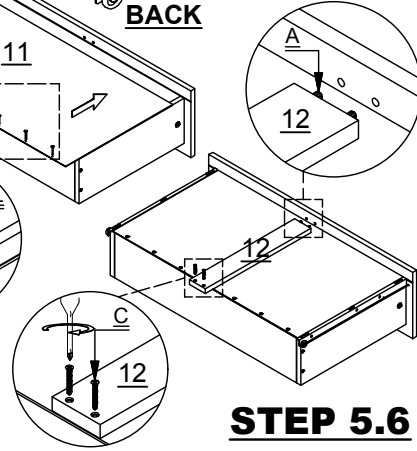
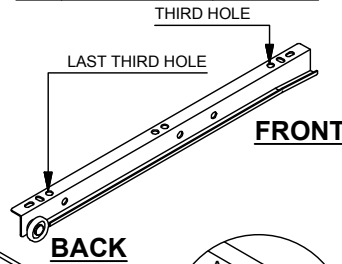
STEP 5.5



1 X DRAWER

YOU WILL NEED:-

A		6 PCS
C		2 PCS
D		4 PCS
E		7 PCS
F		1 PC
G		2 PCS
J		6 PCS
L		2 PCS
N		2 SETS

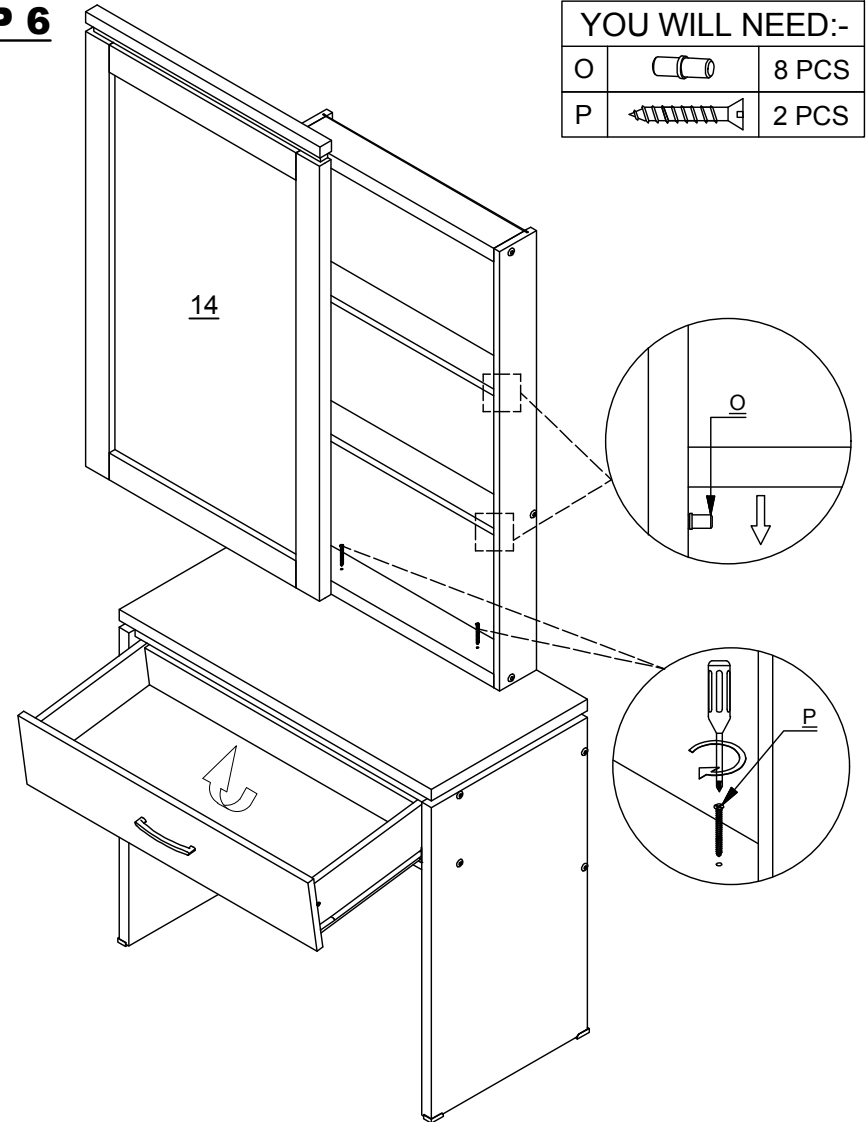


STEP 5.6

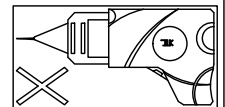
STEP 6

YOU WILL NEED:-

O		8 PCS
P		2 PCS

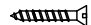
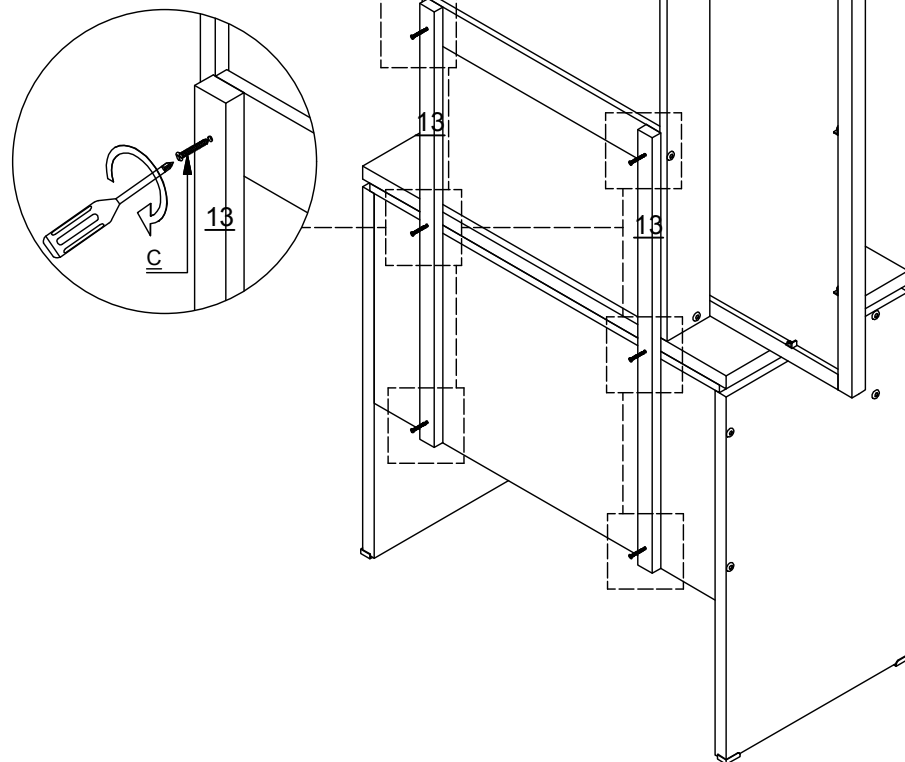
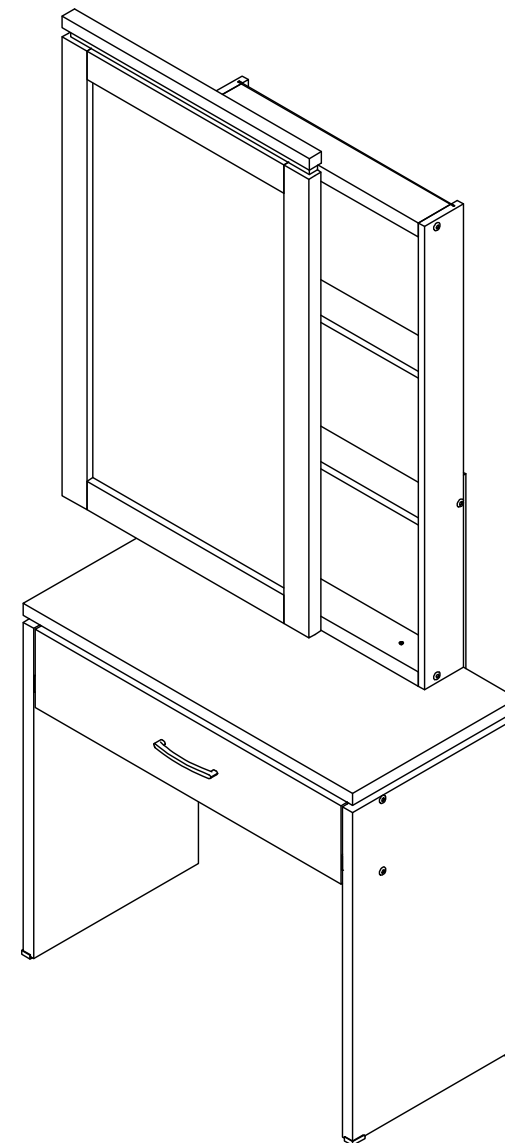


CAUTION: THE USE OF POWER TOOLS TO ASSEMBLE THIS PRODUCT WILL INVALIDATE ANY CLAIM AND MAY DAMAGE THIS PRODUCT MAKING IT UNSAFE.

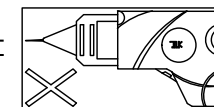


STEP 7

YOU WILL NEED:-

C  6 PCS**STEP 8**

CAUTION: THE USE OF POWER TOOLS TO ASSEMBLE THIS PRODUCT WILL INVALIDATE ANY CLAIM AND MAY DAMAGE THIS PRODUCT MAKING IT UNSAFE.



WARNING

Serious or fatal injuries can occur from furniture tipping over. To prevent the furniture from tipping over we recommend that it is permanently fixed to the wall.

Wall fixings are not supplied with this product as different wall materials require different types of fixing devices. Please make sure you use fixings suitable for the walls in your home.

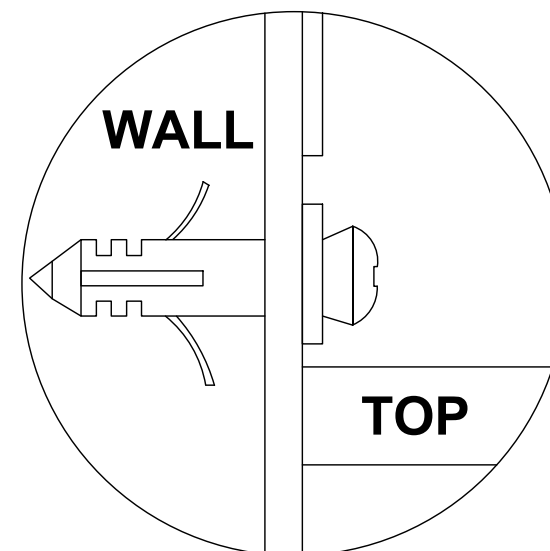
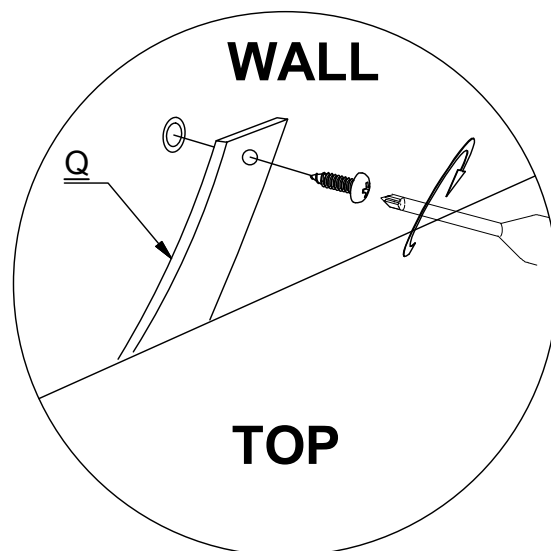
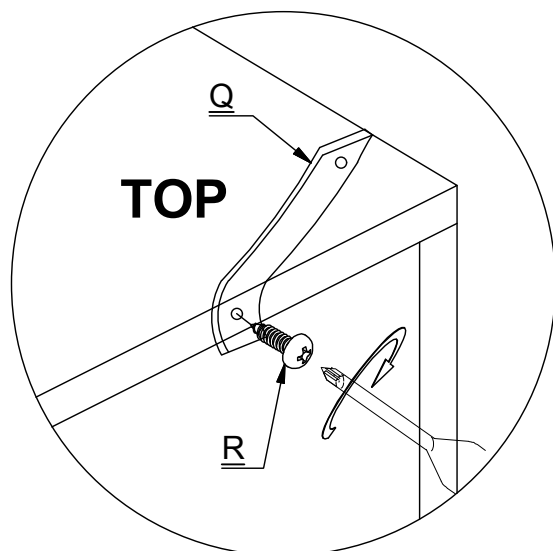
HARDWARE LIST



(Q) Anti-Tip Strap - 2 pcs



(R) M4 X 16MM - 2 pcs



CAUTION: THE USE OF POWER TOOLS TO ASSEMBLE THIS PRODUCT WILL INVALIDATE ANY CLAIM AND MAY DAMAGE THIS PRODUCT MAKING IT UNSAFE.

