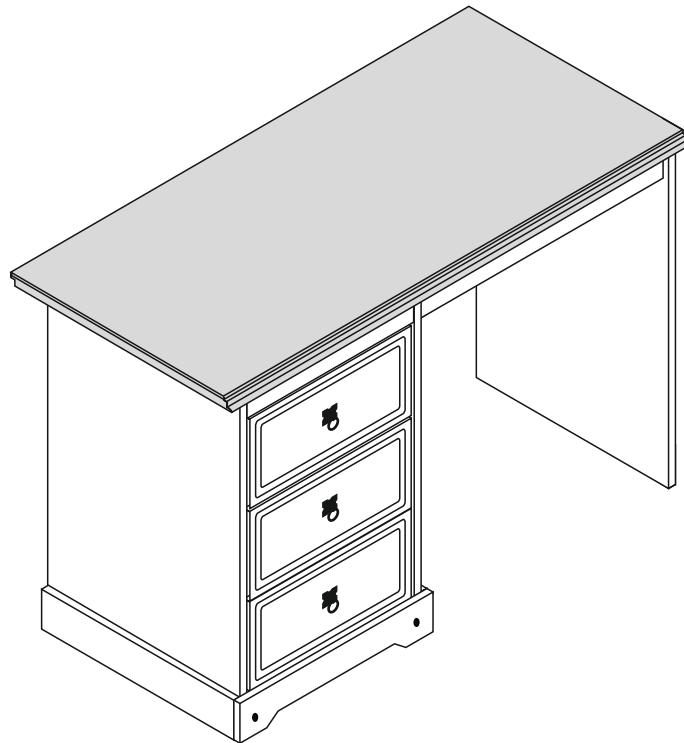


# CORONA DRESSING TABLE ASSEMBLY INSTRUCTIONS



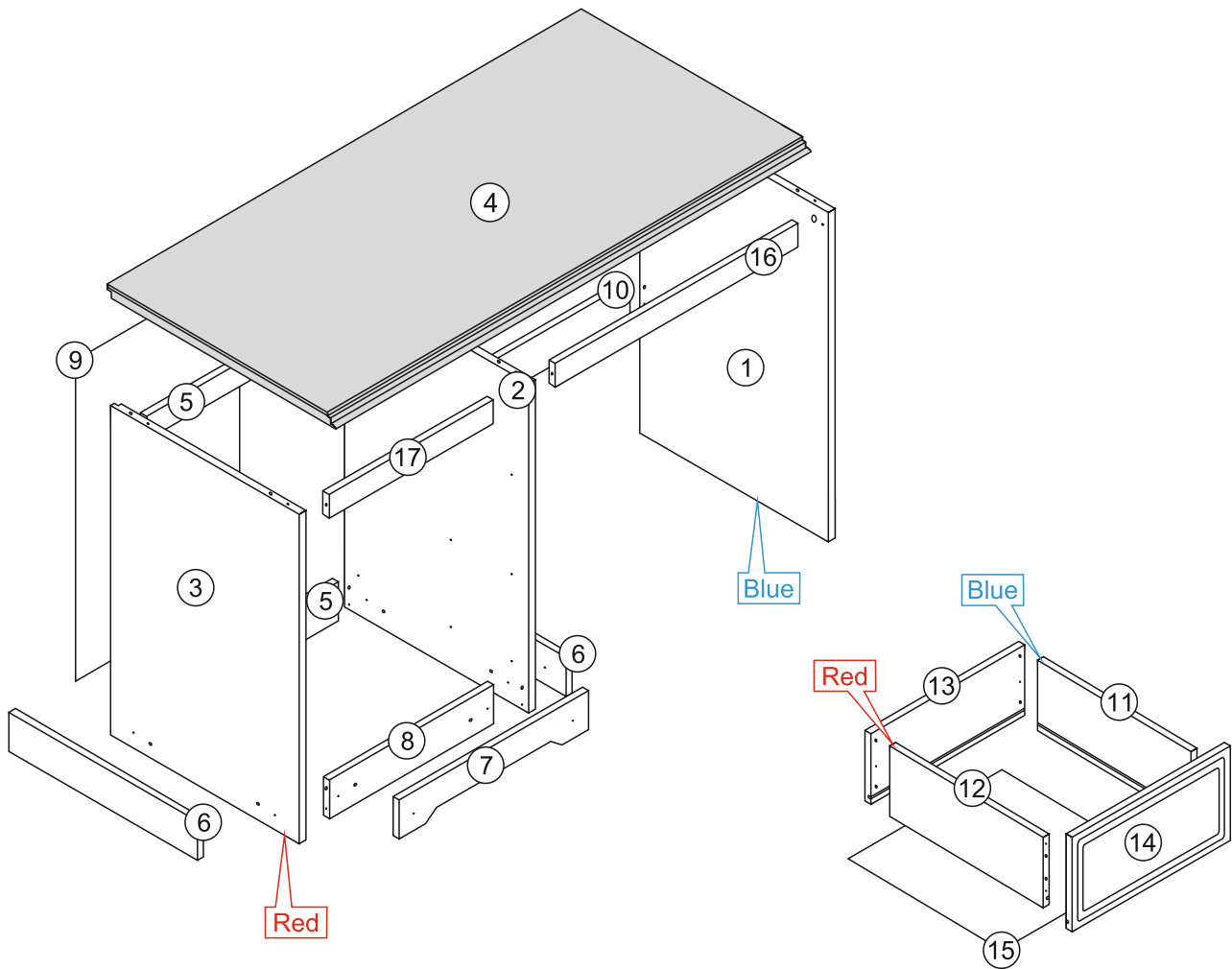
## FOR DOMESTIC USE ONLY IMPORTANT

PLEASE READ BEFORE YOU CONTINUE FURTHER

## CARE AND MAINTENANCE

After unpacking this product please keep the original packaging in case it needs to be returned for any reason.

- Please ensure all fittings and parts are present before commencing with assembly.
- We recommend that you lay a blanket or sheet on the floor to avoid damage to both your floor and the product.
- We strongly recommend that you keep children away from your work area.
- Assemble this product as close to its final position as possible.
- Never drag or push products as this could cause damage to the joints making it inferior.
- Do not place this product next to a radiator or in direct sunlight.
- Wood is a natural product and may expand if subjected to damp and may shrink or crack if subjected to heat. Therefore it is recommended that room temperature is maintained, with no sudden temperature fluctuations.
- Make sure any spillage is wiped off immediately.
- Do not place hot or chilled items directly on to the surface, use a place mat or marking will occur.
- For general cleaning use a duster, and do not use detergents of any kind. However, the surface will need to be retreated from time to time. This can be done by using block wax (unperfumed) and rubbing it over the whole item.
- From time to time it may be necessary to tighten fittings, regular inspections should be carried out.

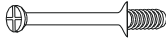

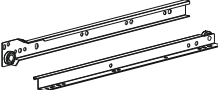




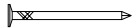








### PARTS LIST

1	Right Side Panel (Blue)	x1
2	Centre Panel	x1
3	Left Side Panel (Red)	x1
4	Top Panel	x1
5	Back Crossbeam	x2
6	Side Plinth	x2
7	Front Plinth	x1
8	Front Crossbeam	x1
9	Back Panel	x1

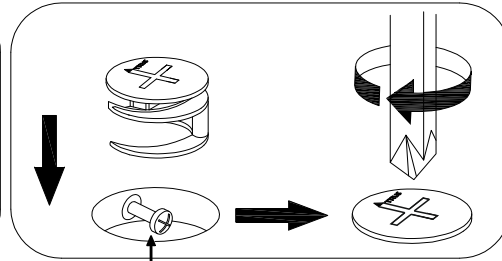
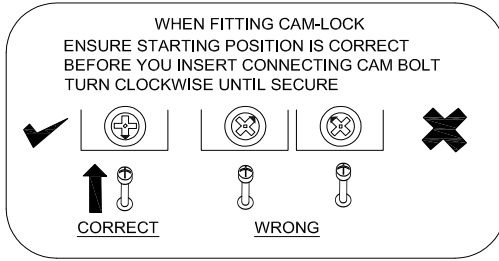
10	Back Crossbeam	x1
11	Right Drawer Side (Blue)	x3
12	Left Drawer Side (Red)	x3
13	Drawer Back	x3
14	Drawer Front	x3
15	Drawer Base	x3
16	Right Upper Front Crossbeam	x1
17	Left Upper Front Crossbeam	x1

### Fittings List

<p><b>A</b></p>  <p>Cam Bolt (22x)</p>	<p><b>B</b></p>  <p>Cam Nut (30x)</p>	<p><b>C</b></p>  <p>Dowel Ø8x30 (44x)</p>
<p><b>D</b></p>  <p>Hole Plugs White (12x)</p>	<p><b>E</b></p>  <p>Drawer Runner 400mm (3x Set)</p>	<p><b>F</b></p>  <p>Double Cam Bolt (1x)</p>
<p><b>G</b></p>  <p>Plastic Foot (6x)</p>	<p><b>H</b></p>  <p>Corner Bracket 18 x 18mm (1x)</p>	<p><b>I</b></p>  <p>Flanged Screw Ø3,5 x 25mm (6x)</p>
<p><b>J</b></p>  <p>Flat Head Screw Ø 3 x 12 mm (18x)</p>	<p><b>K</b></p>  <p>Black Handle With Bolt (3x)</p>	<p><b>L</b></p>  <p>Nail 10 x 10mm (18x)</p>
<p><b>M</b></p>  <p>Flanged Screw Ø5 x 50 mm (2x)</p>	<p><b>N</b></p>  <p>Black Stud (2x)</p>	<p><b>O</b></p>  <p>Glue (2x)</p>
<p><b>P</b></p>  <p>Washer (Anti-Tip Kit) (2x)</p>	<p><b>Q</b></p>  <p>Q- Blanking Plug Screw Ø6x10 (18x)</p>	<p><b>R</b></p>  <p>R- Cam Bolt To Fix The Top (6x)</p>
<p><b>S</b></p>  <p>Strap (Anti-Tip Kit) (1x)</p>	<p><b>T</b></p>  <p>Wood Screw (Anti-Tip Kit) 3,5 x 30mm (1x)</p>	



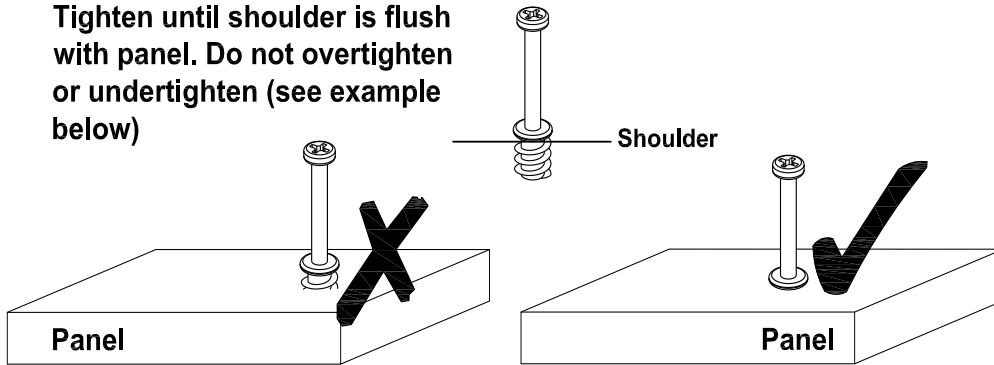
# TIPS FOR FITTING CAM-LOCKS





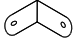
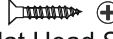

Cam bolt head needs to be in centre

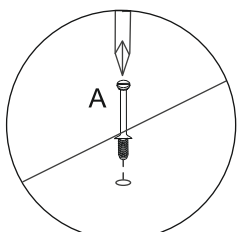
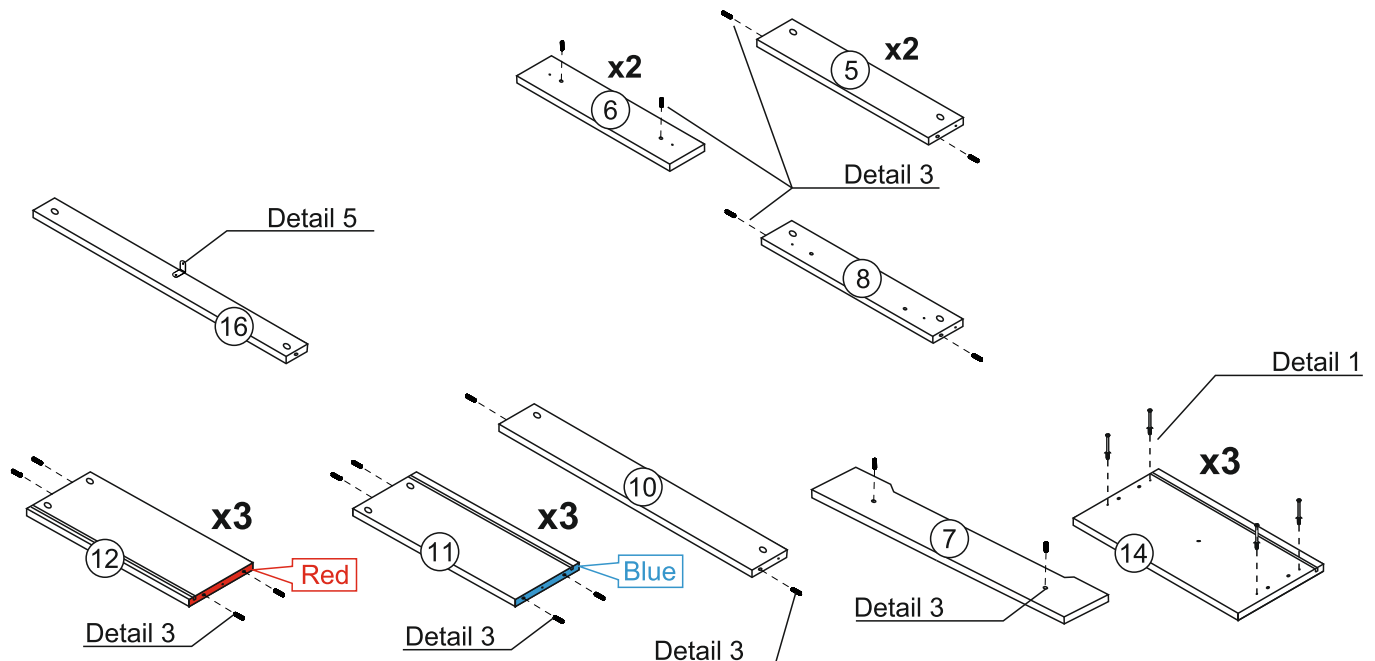
## CAMBOLT

Tighten until shoulder is flush with panel. Do not overtighten or undertighten (see example below)

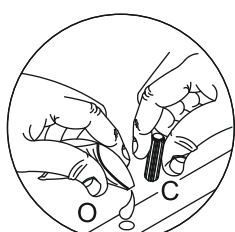


## Pre-Assembly

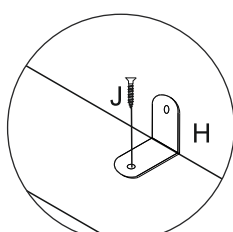
-   
**A- Cam Bolt (12x)**
  -   
**C- Dowel Ø8x30 (38x)**
  -   
**H- Corner 18 x 18mm (1x)**
  -   
**J- Flat Head Screw Ø3 x 12 mm (1x)**
  -   
**O- Glue**
- (12x)



Detail 1

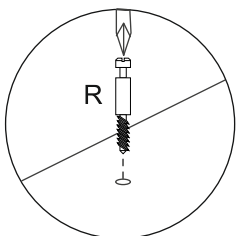
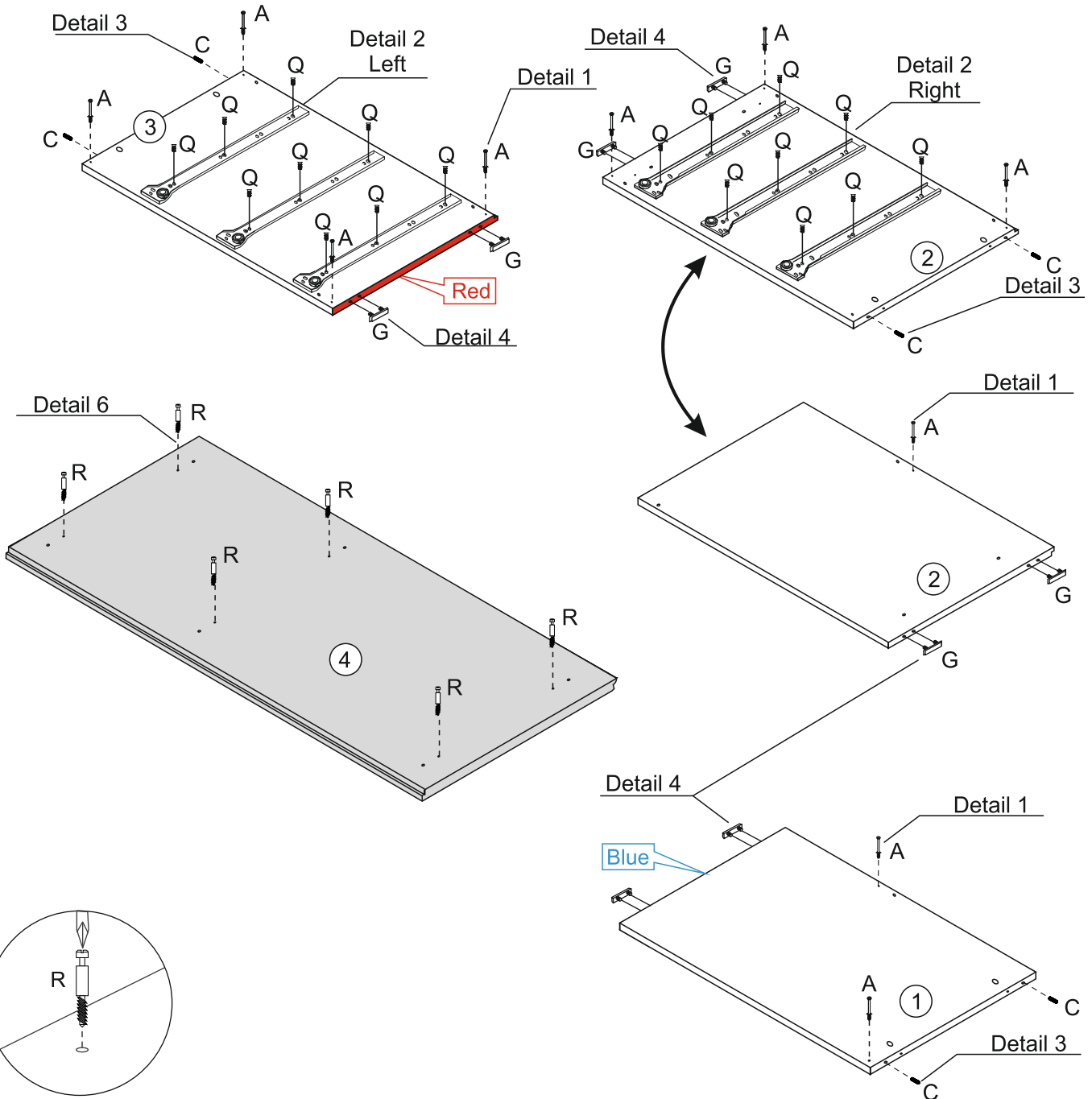
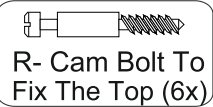
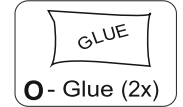
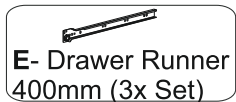
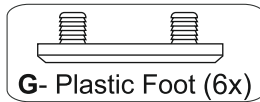
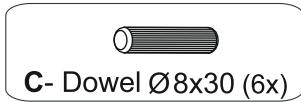
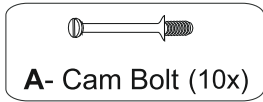


Detail 3

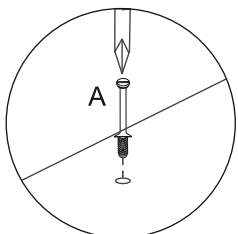


Detail 5

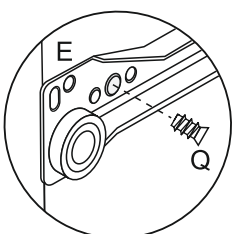
# Pre-Assembly



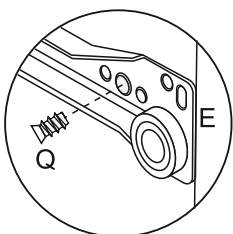
**Detail 6**



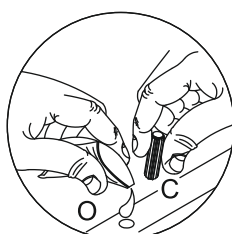
**Detail 1**



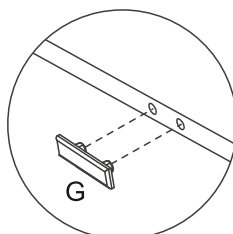
**Detail 2 (Left)**



**Detail 2 (Right)**



**Detail 3**

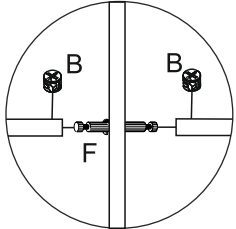


**Detail 4**

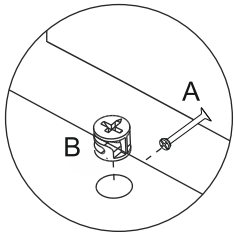
1

B- Cam Nut (6x)

F- Double Cam Bolt (1x)

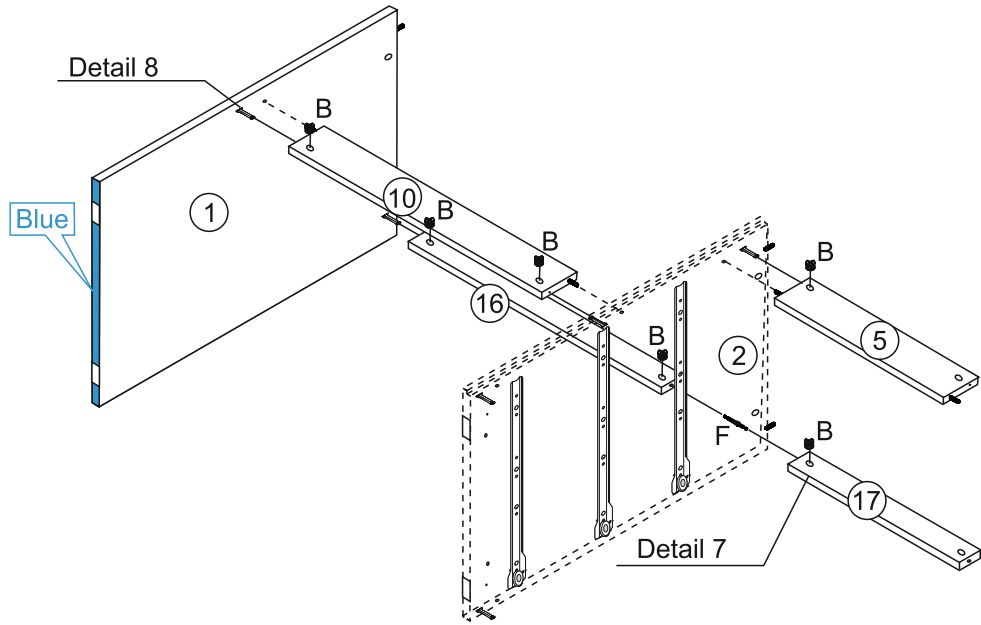


Detail 7



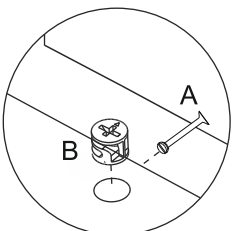
Detail 8

Fit and turn the cam clockwise



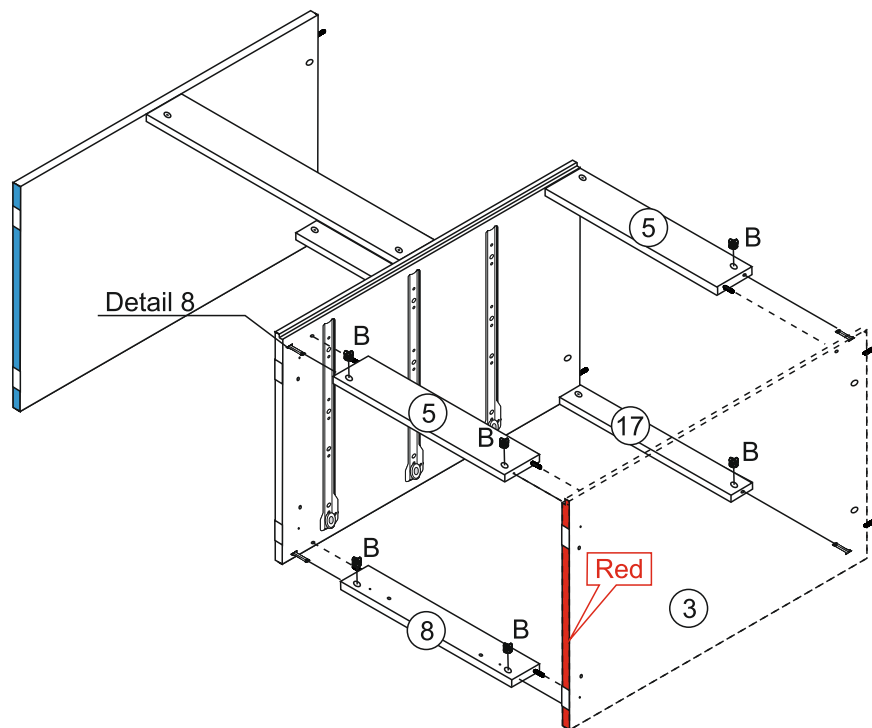
2

B- Cam Nut (6x)

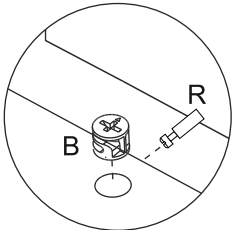
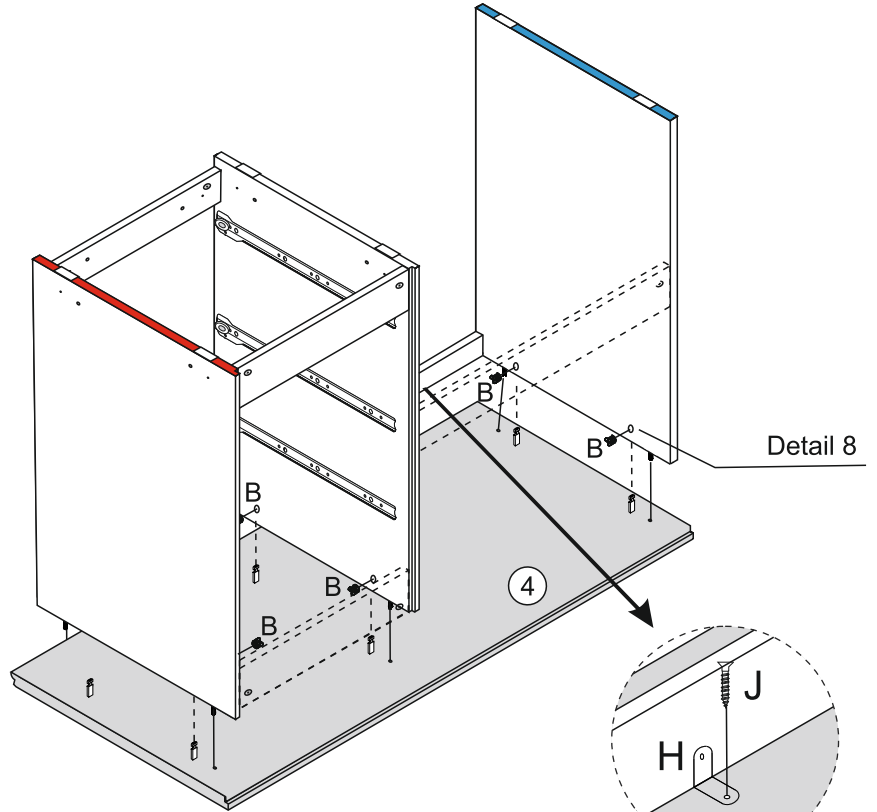
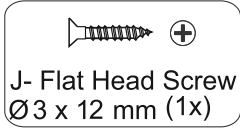
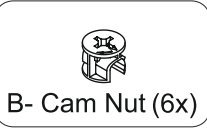


Detail 8

Fit and turn the cam clockwise

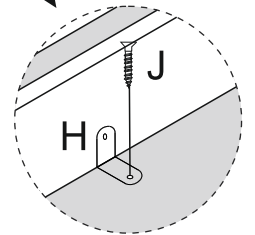


3



Detail 8

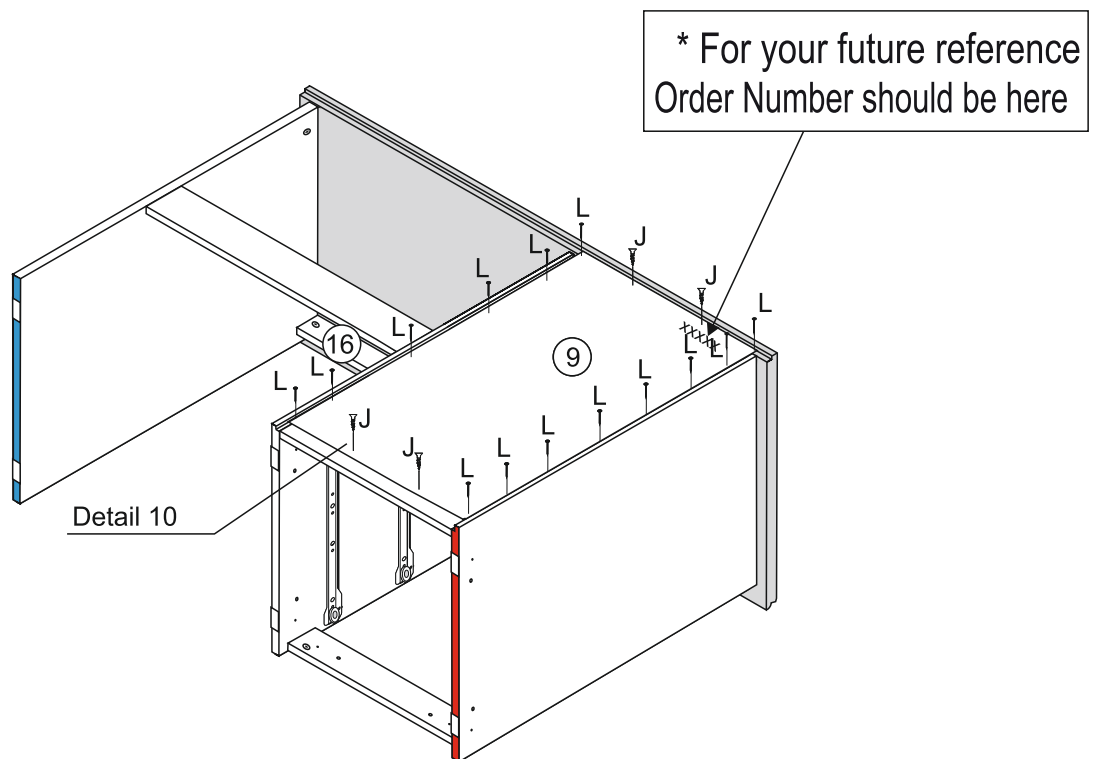
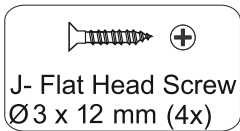
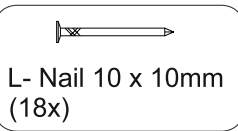
Fit and turn the cam clockwise



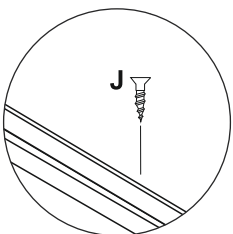
Detail 9

Corner Bracket Fixed To The Inside

4

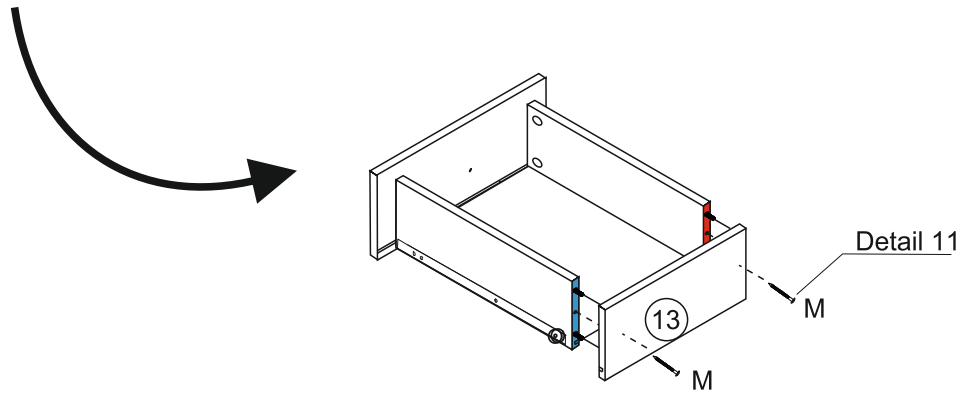
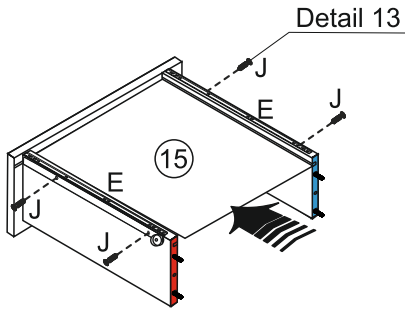
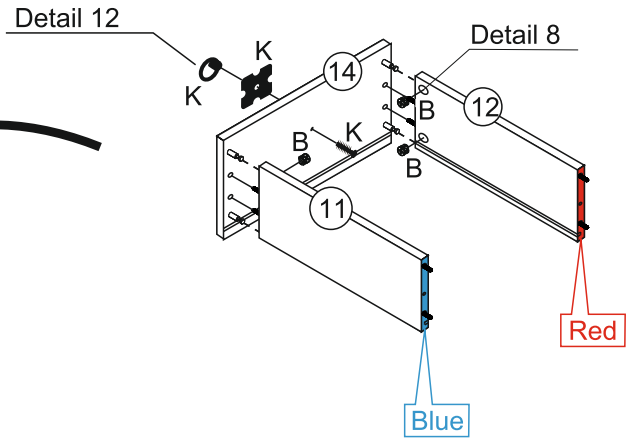
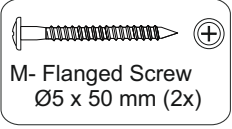
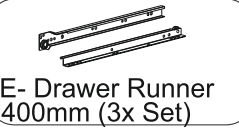
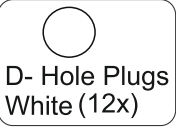


\* For your future reference  
Order Number should be here

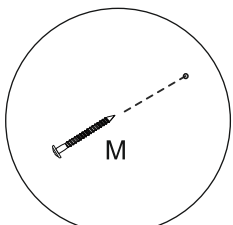


Detail 10

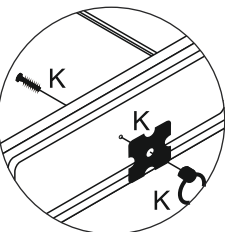
5



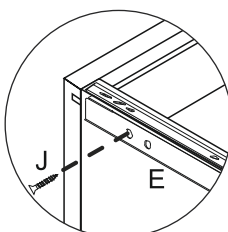
**\*REPEAT THE SAME STEPS FOR ALL DRAWERS**



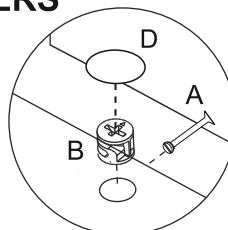
Detail 11



Detail 12



Detail 13



Detail 8

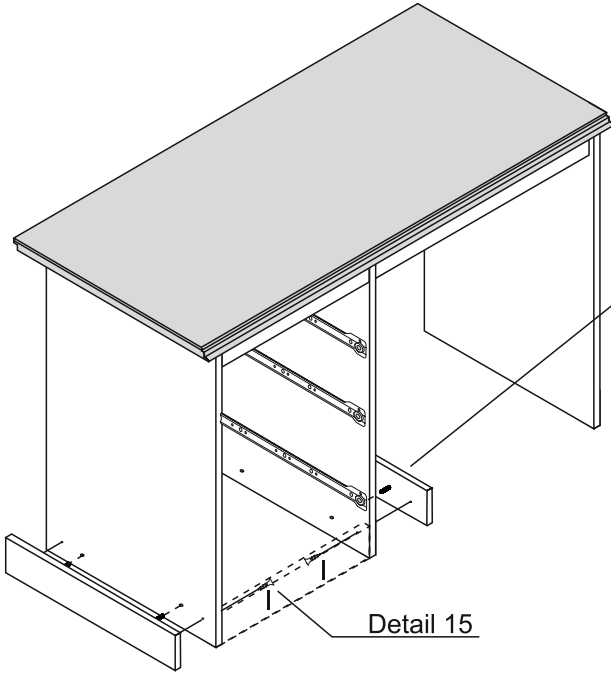
Fit and turn the cam clockwise



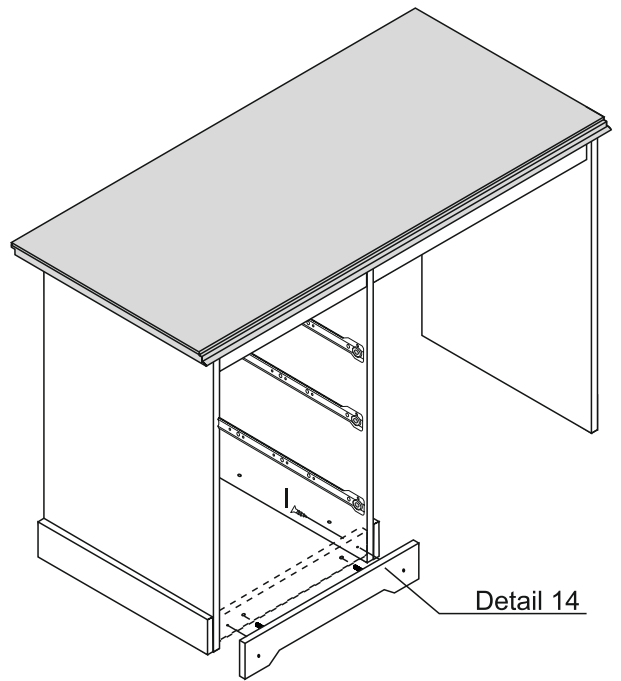
6



I- Flanged Screw  
 Ø3,5 x 25mm (6x)

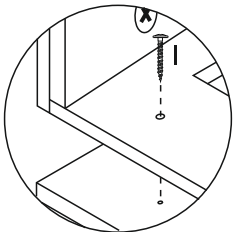


**\*ATTENTION\***  
 Finished edge must  
 be facing up

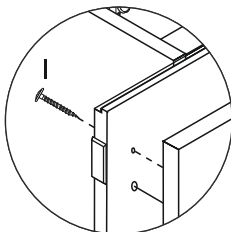


Detail 15

Detail 14



Detail 14

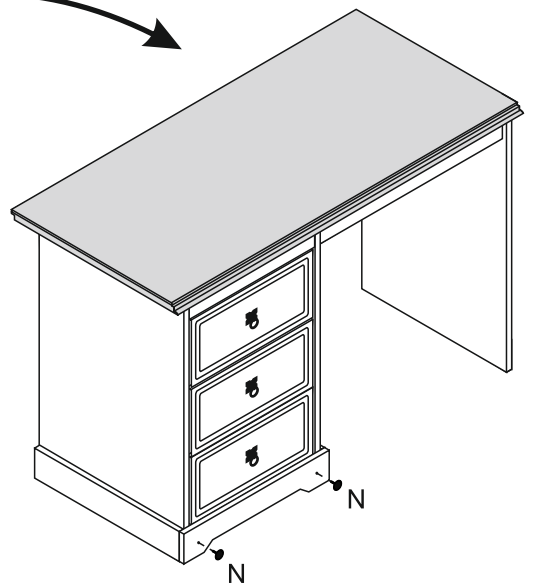
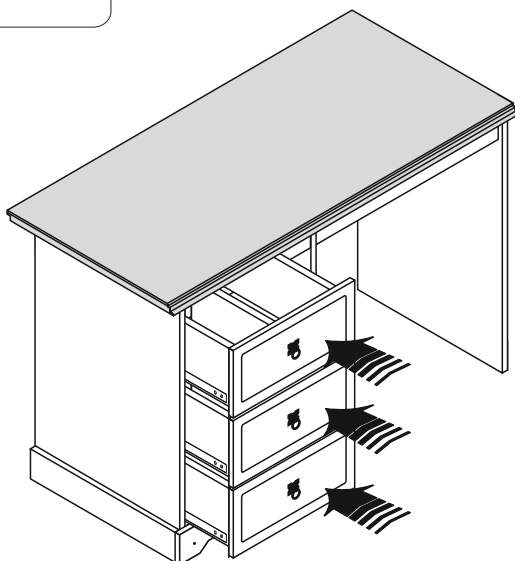


Detail 15

8



N - Black Stud  
 (2x)

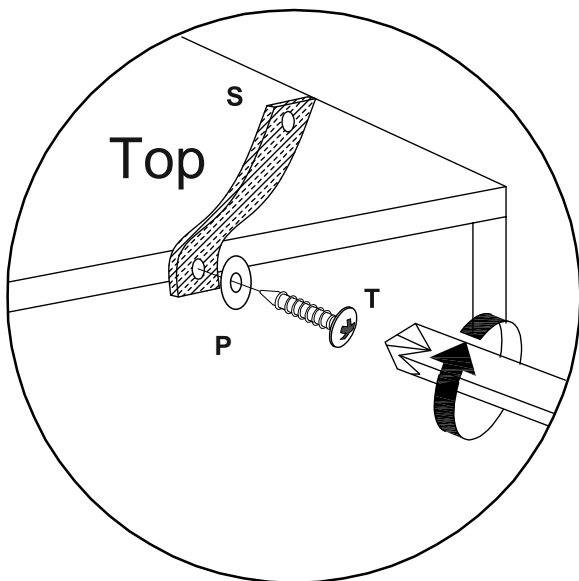


## WARNING

**Serious or fatal injuries can occur from furniture tipping over. To prevent the furniture from tipping over we recommend that it is permanently fixed to the wall.**

Wall fixings are not supplied with this product as different wall materials require different types of fixing devices.

Please make sure you use fixings suitable for the walls in your home.



### HARDWARE LIST



**S - Strap (Anti-Tip Kit)**  
(1x)



**T- Wood Screw (Anti-Tip Kit)**  
3,5 x 30mm (1x)



**P -Washer (Anti-Tip Kit)**  
(2x)

