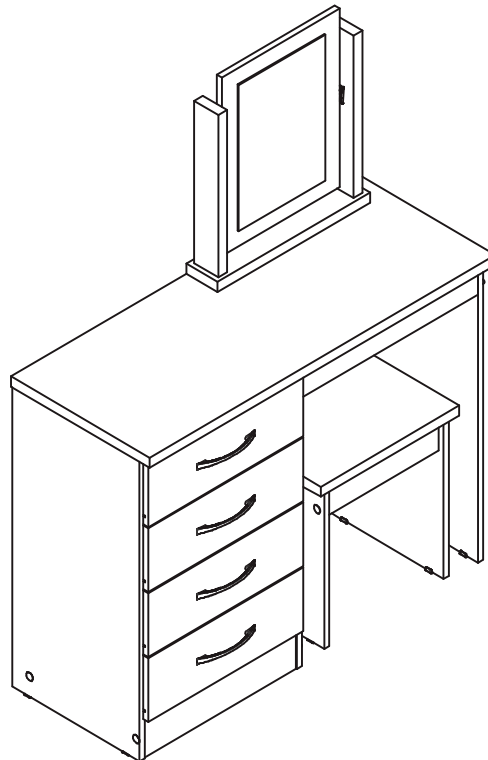


NEVADA DRESSING TABLE SET ASSEMBLY INSTRUCTIONS



IMPORTANT FOR DOMESTIC USE ONLY

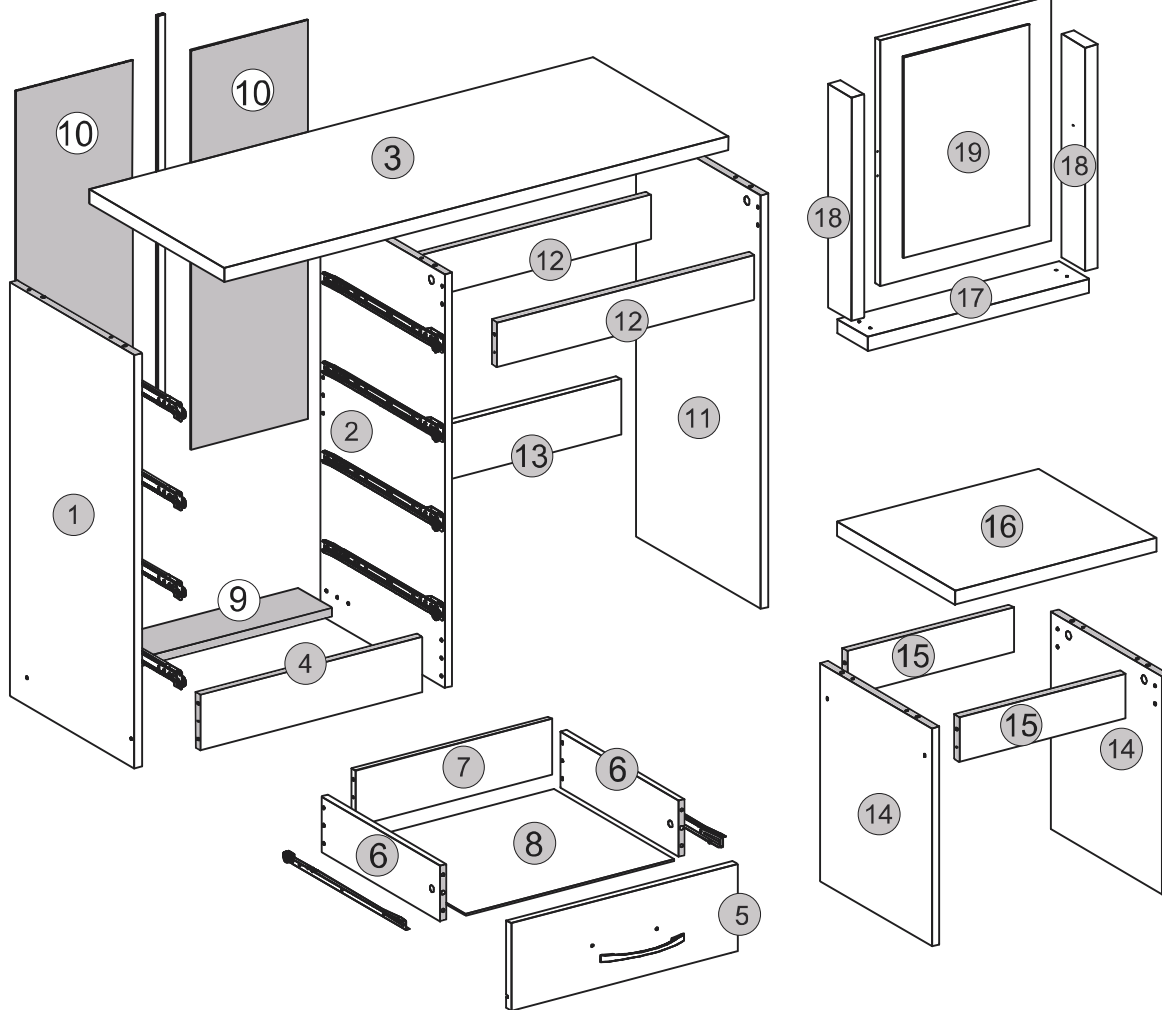
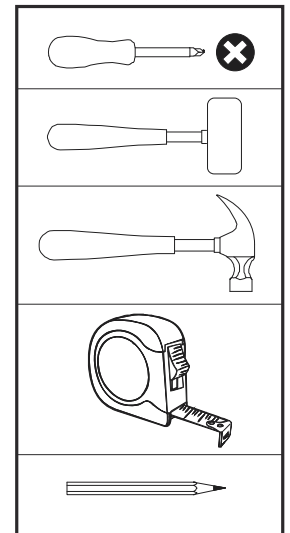
PLEASE READ BEFORE YOU CONTINUE FURTHER

CARE AND MAINTENANCE

After unpacking this product please keep the original packaging in case it needs to be returned for any reason.

- Please ensure all fittings and parts are present before commencing with assembly.
- Never drag or push products as this could cause damage to the joints making it inferior.
- We strongly recommend that you keep children away from your work area.
- We recommend that you lay a blanket or sheet on the floor to avoid damage to both your floor and the product.
- Assemble this product as close to its final position as possible.
- Do not place this product next to a radiator or in direct sunlight.
- Do not drag or push items across your high gloss furniture as this may cause the surface to scratch
- Wood is a natural product and may expand if subjected to damp and may shrink or crack if subjected to heat. Therefore it is recommended that room temperature is maintained, with no sudden temperature fluctuations.
- Make sure any spillage is wiped off immediately.
- Do not place hot or chilled items directly on to the surface, use a place mat or marking will occur.
- For general cleaning use a soft cotton or micro fibre cloth, and do not use detergents of any kind.
- From time to time it may be necessary to tighten fittings, regular inspections should be carried out.
- Do not place on a wet or damp floor as staining may occur to your floor.



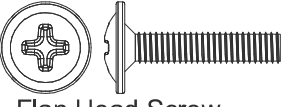


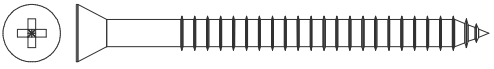
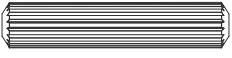

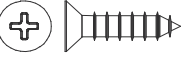
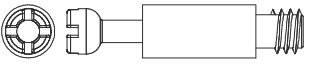
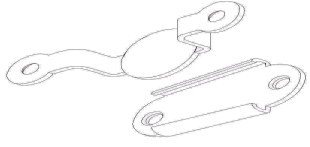
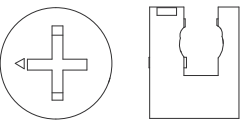
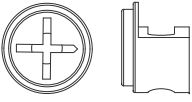
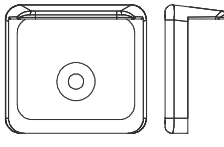



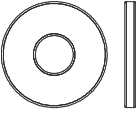

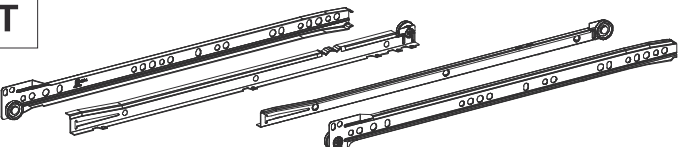
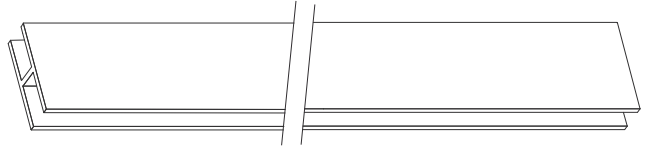

TOOLS REQUIRED

***Please Note:***

The below parts have all been stamped with the part number to help identify them during assembly.

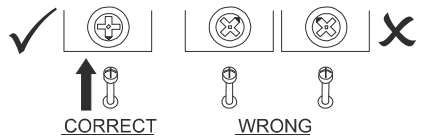
| Part Number | Part Description | Quantity | Carton |
|--------------------|-------------------------|-----------------|---------------|
| 01 | Left Chet Side Panel | 1 | 1/2 |
| 02 | Right Chest Side Panel | 1 | 1/2 |
| 03 | Top Panel | 1 | 2/2 |
| 04 | Front Baseboard | 1 | 1/2 |
| 05 | Drawer Front | 4 | 1/2 |
| 06 | Drawer Side | 8 | 2/2 |
| 07 | Drawer Back | 4 | 2/2 |
| 08 | Drawer Bottom | 4 | 2/2 |
| 09 | Back Baseboard | 1 | 1/2 |
| 10 | Back Panel | 2 | 1/2 |
| 11 | Right Table Side Panel | 1 | 1/2 |
| 12 | Upper Crossbar | 2 | 1/2 |
| 13 | Back Crossbar | 1 | 1/2 |
| 14 | Stool Side Panel | 2 | 2/2 |
| 15 | Stool Crosspiece | 2 | 2/2 |
| 16 | Stool Seat | 1 | 2/2 |
| 17 | Mirror Base Panel | 1 | 1/2 |
| 18 | Mirror Side Panel | 2 | 2/2 |
| 19 | Mirror Panel | 1 | 2/2 |

FITTINGS LIST

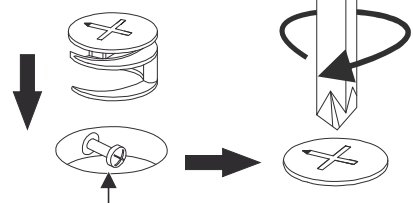
| | | | |
|---|--|---|--|
| <p>A</p>  <p>Flat Head Screw Ø4,0 x 14mm (24x)</p> <p>+/2</p> | <p>B</p>  <p>Flat Head Screw Ø6,0 x 10mm (16x)</p> <p>+/2</p> | <p>C</p>  <p>Flan Head Screw Ø4,0 x 20mm (8x)</p> <p>+/1</p> | <p>D</p>  <p>Flan Head Screw Ø3,5 x 30mm (2x)</p> <p>+/1</p> |
| <p>E</p>  <p>Flat Head Screw Ø4,0x 50mm (22x)</p> <p>+/2</p> | <p>F</p>  <p>Flat Head Screw Ø4,5x 60mm (4x)</p> <p>+/1</p> | <p>G</p>  <p>+/2 Dowel Ø6,0 x 30mm (62x)</p> | |
| <p>H</p>  <p>+/2 Nail 10x10 Ringed -1,5x23mm (64x)</p> | <p>I</p>  <p>Flat Head Screw Black Ø3,0 x 16mm (8x)</p> <p>+/1</p> | <p>J</p>  <p>+/2 Cam Bolt (18x)</p> | <p>K</p>  <p>Mirror Support (2x)</p> |
| <p>L</p>  <p>+/2 Cam Nut Ø14,9x11mm (10x)</p> | <p>M</p>  <p>+/1 Cam Nut Ø12x8,8mm (8x)</p> | <p>N</p>  <p>+/2 Plastic Foot L 19x17x8mm Ø2 (10x)</p> | <p>O</p>  <p>+/2 Hole Plugs 19mm (22x)</p> |
| <p>P</p>  <p>Glue 10Gr (3x)</p> | <p>Q</p>  <p>Strap 200x20x1mm (2x)</p> | <p>R</p>  <p>+/1 Washer Ø16x7mm(4x)</p> | <p>S</p>  <p>Handle (4x)</p> |
| <p>T</p>  <p>Drawer Runners 350mm (4x)</p> | | <p>U</p>  <p>Back Panel Strip H 683mm (1x)</p> | |
| <p>V</p>  <p>+/2 Hole Plugs Lineo 19mm (22x)</p> | | | |

TIPS FOR FITTINGS CAM-LOCKS

WHEN FITTING CAM NUT. ENSURE STARTING POSITION IS CORRECT BEFORE YOU INSERT CONNECTING CAM BOLT TURN CLOCKWISE UNTIL SECURE



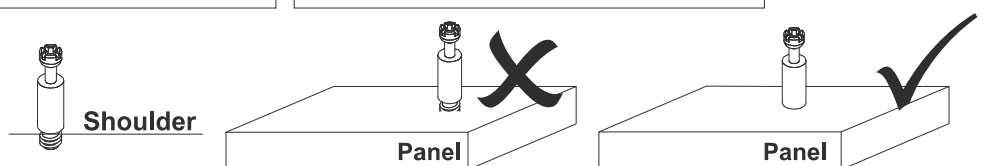
CORRECT WRONG WRONG



Cam bolt head needs to be in centre

CAMBOLT

Tighten until shoulder in flush with panel. Do not overtighten or undertighten (see example beside)





STEP 1

PARTS REQUIRED

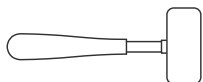
| | |
|-----------------------|----|
| 4 - FRONT BASEBOARD | x1 |
| 9 - BACK BASEBOARD | x1 |
| 13- BACK CROSSBAR | x1 |
| 12 - UPPER CROSSBAR | x2 |
| 15 - STOOL CROSSPIECE | x2 |

HARDWARE REQUIRED

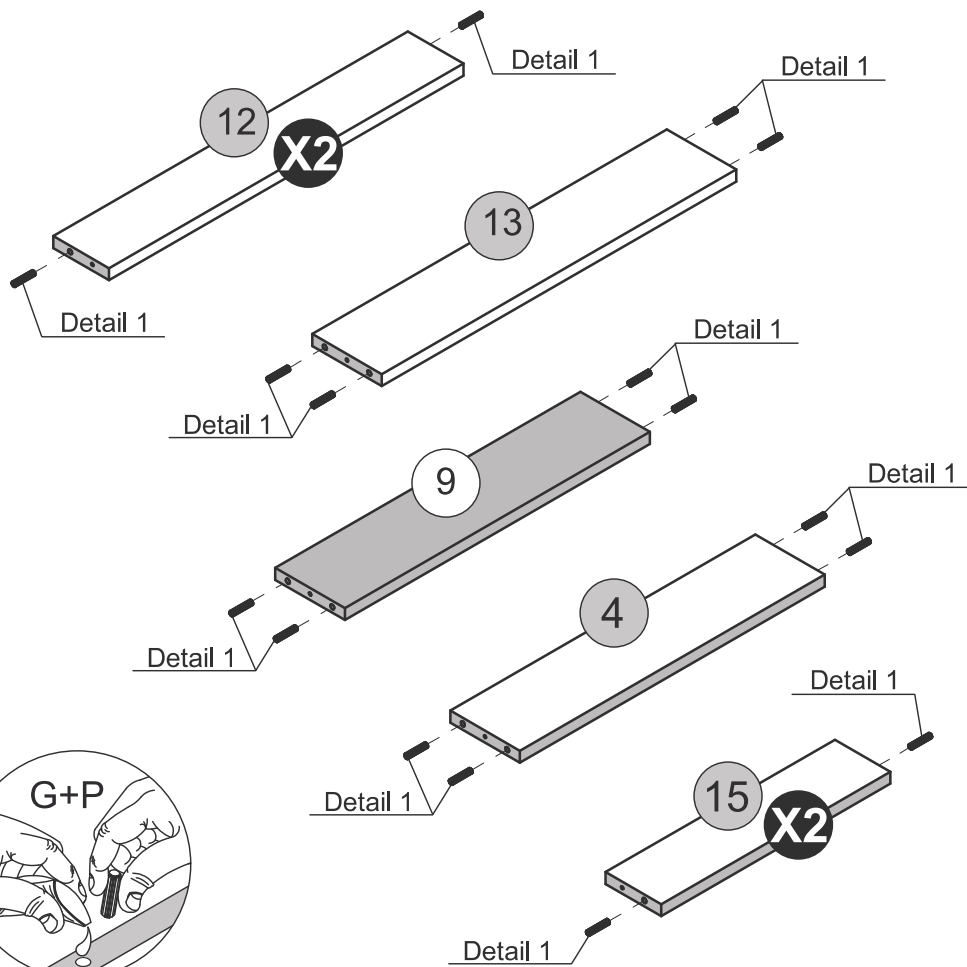
| | | |
|-------------|---|----|
| G |  | 20 |
| Ø6,0 x 30mm | | |

| | | |
|------|---|----|
| P |  | 01 |
| Glue | | |

TOOLS REQUIRED



Detail 1

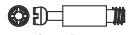


STEP 2

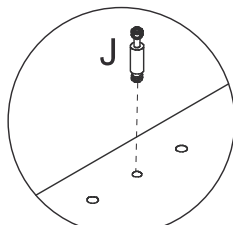
PARTS REQUIRED

| | |
|-----------------|----|
| 3 - TOP PANEL | x1 |
| 16 - STOOL SEAT | x1 |

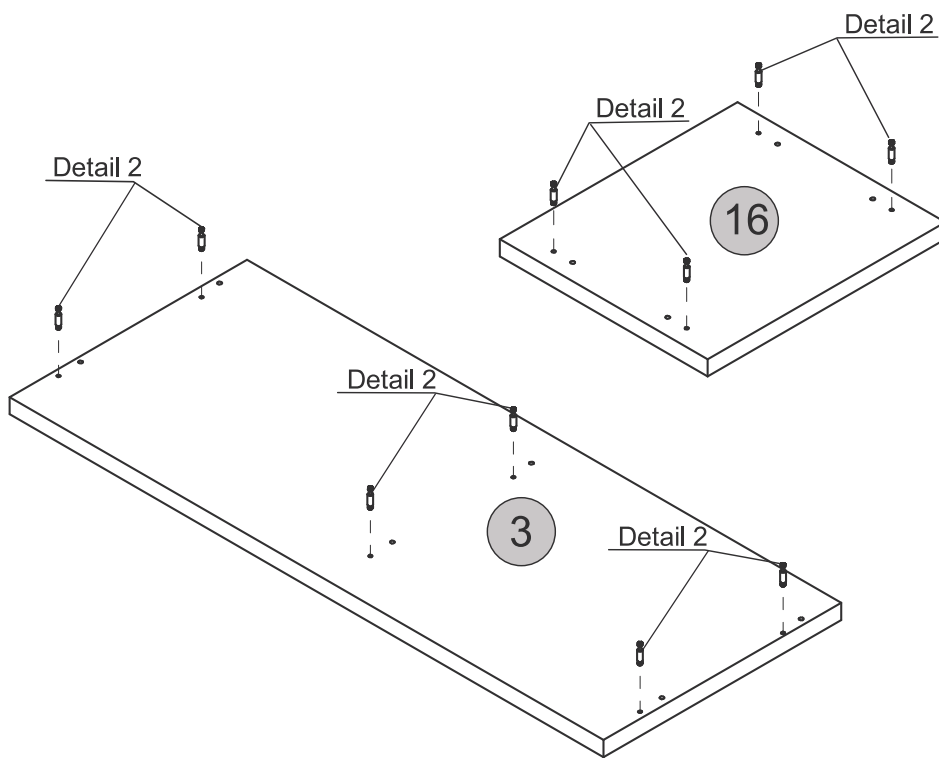
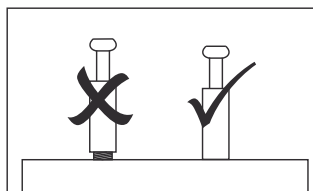
HARDWARE REQUIRED

| | | |
|----------|---|----|
| J |  | 10 |
| Cam Bolt | | |

TOOLS REQUIRED



Detail 2

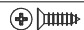



STEP 3


PARTS REQUIRED

2 - RIGHT CHEST SIDE PANEL x1

HARDWARE REQUIRED

A  04
Ø4,0 x 14mm

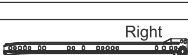
B  08
Ø6,0 x 10mm

G  02
Ø6,0 x 30mm

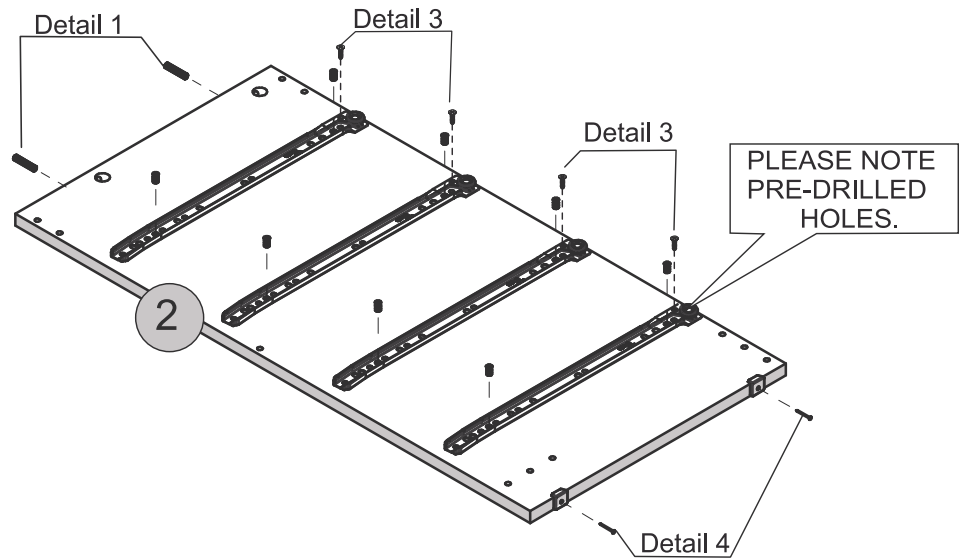
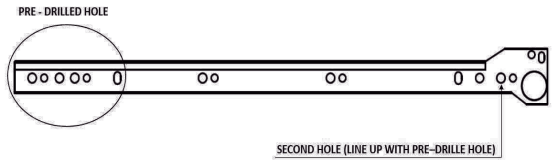
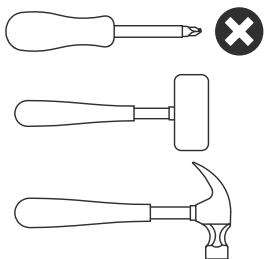
H  02

N  02

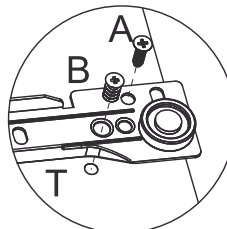
P  01

T  Right 04

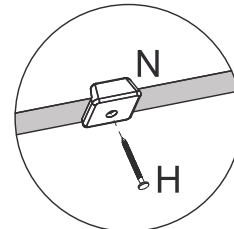
TOOLS REQUIRED



Detail 1



Detail 3




Detail 4


STEP 4


PARTS REQUIRED

1 - LEFT CHEST SIDE PANEL x1

HARDWARE REQUIRED

A  04
Ø4,0 x 14mm

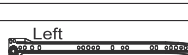
B  08
Ø6,0 x 10mm

G  02
Ø6,0 x 30mm

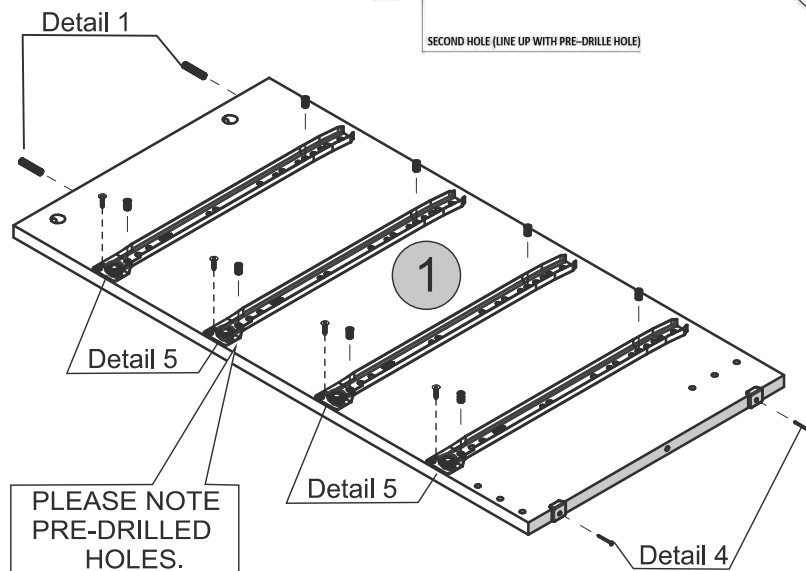
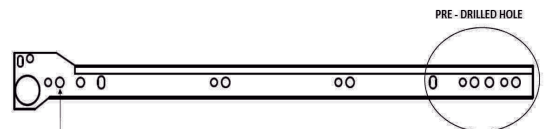
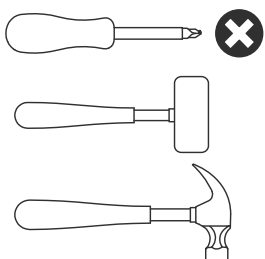
H  02

N  02

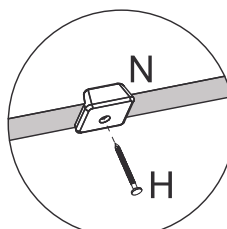
P  01

T  Left 04

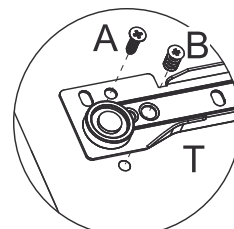
TOOLS REQUIRED



Detail 1



Detail 4



Detail 5


STEP 5

PARTS REQUIRED

11 - RIGHT TABLE SIDE PANEL x1

14 - STOOL SIDE PANEL x2

HARDWARE REQUIRED

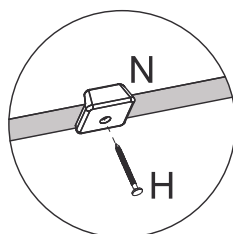
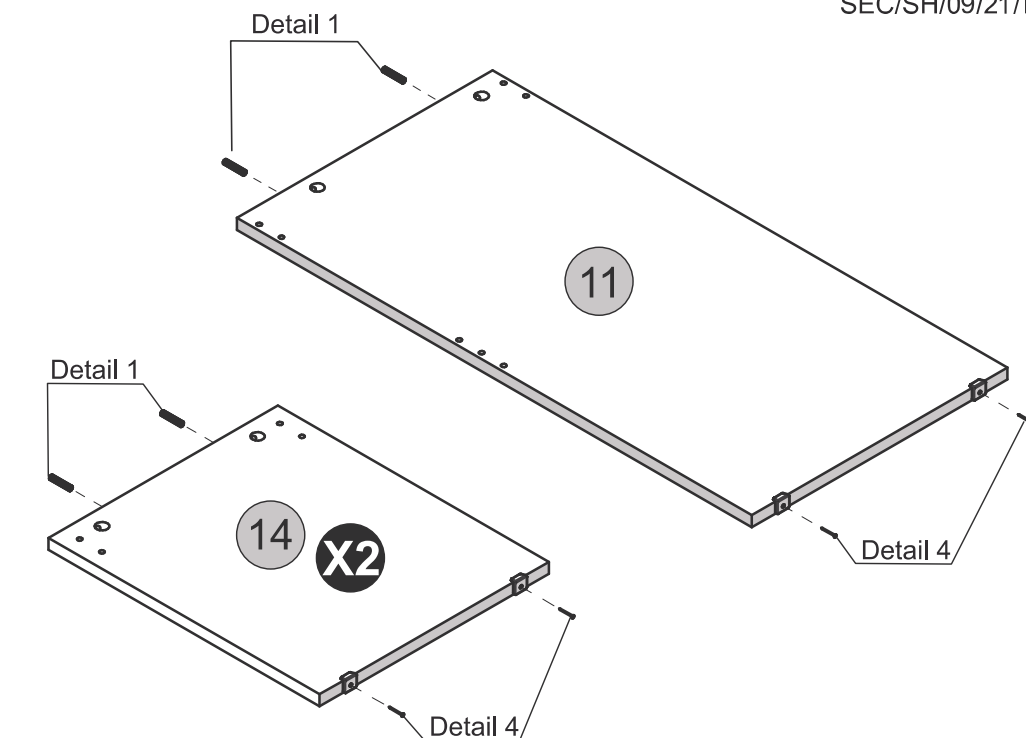
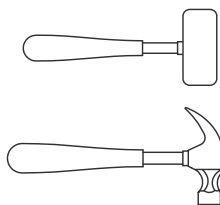
G  06
Ø6,0 x 30mm

H  06

N  06

P  01

TOOLS REQUIRED



Detail 1

Detail 4

STEP 6

PARTS REQUIRED


1 - LEFT CHEST SIDE PANEL x1

2 - RIGHT CHEST SIDE PANEL x1

4 - FRONT BASEBOARD x1

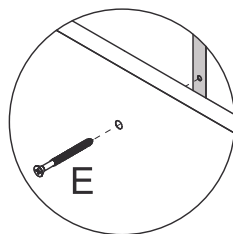
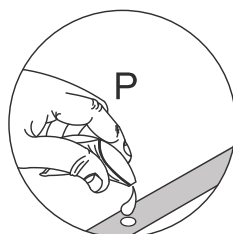
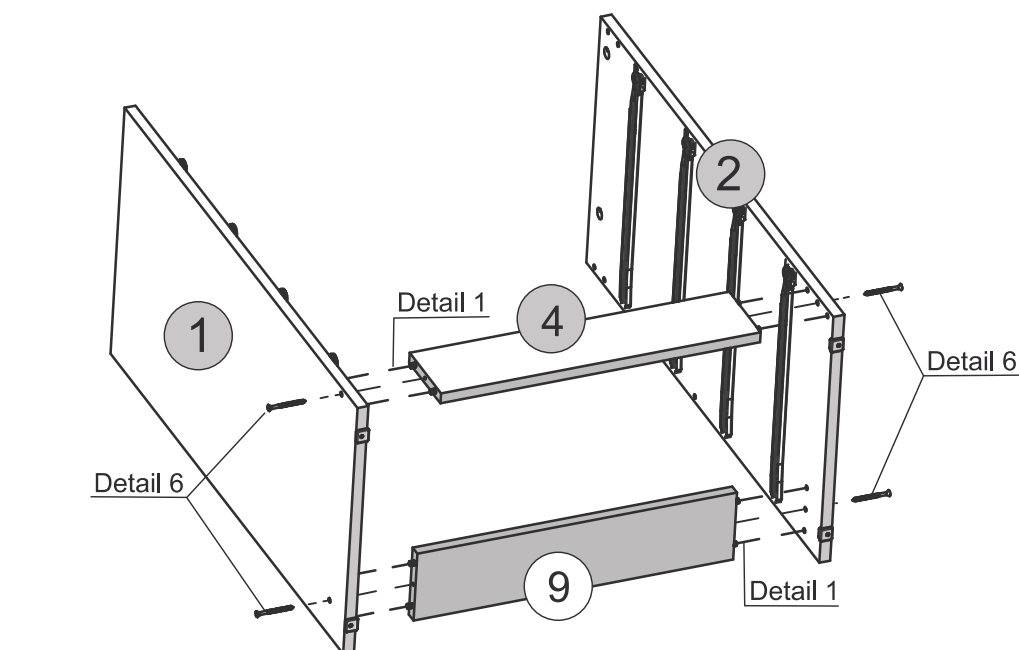
9 - BACK BASEBOARD x1

HARDWARE REQUIRED

E  04
Ø4,0 x 50mm

P  01

TOOLS REQUIRED

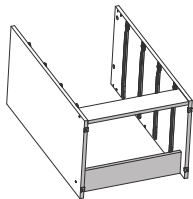


Detail 1

Detail 6

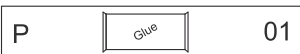
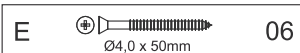
STEP 7

PARTS REQUIRED

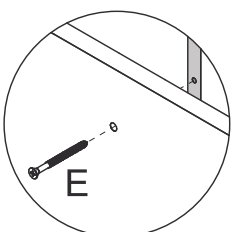
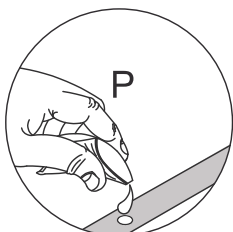
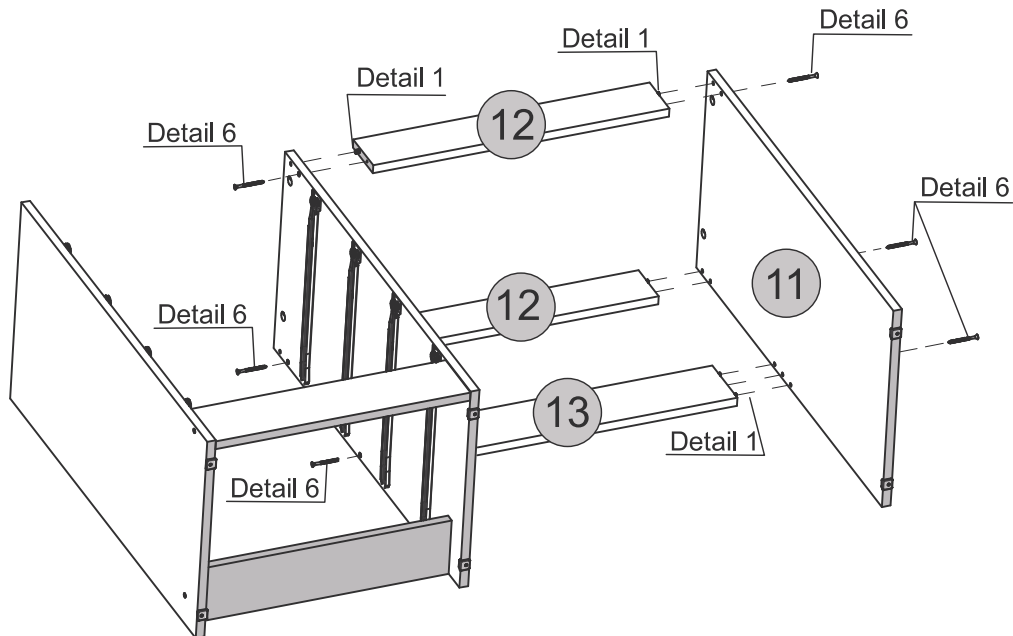
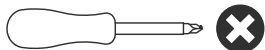


- 11 - RIGHT TABLE SIDE PANEL x1
- 12 - UPPER CROSSBAR x2
- 13 - BACK CROSSBAR x1

HARDWARE REQUIRED



TOOLS REQUIRED

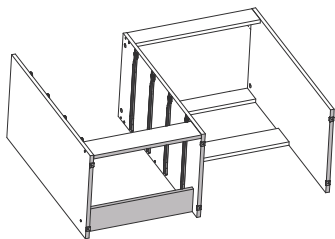


Detail 1

Detail 6

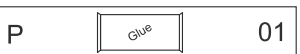
STEP 8

PARTS REQUIRED

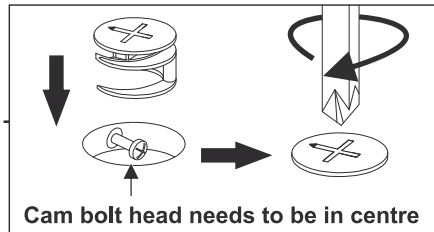
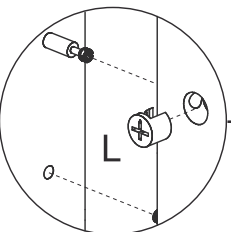
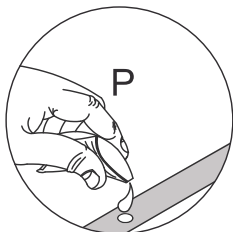
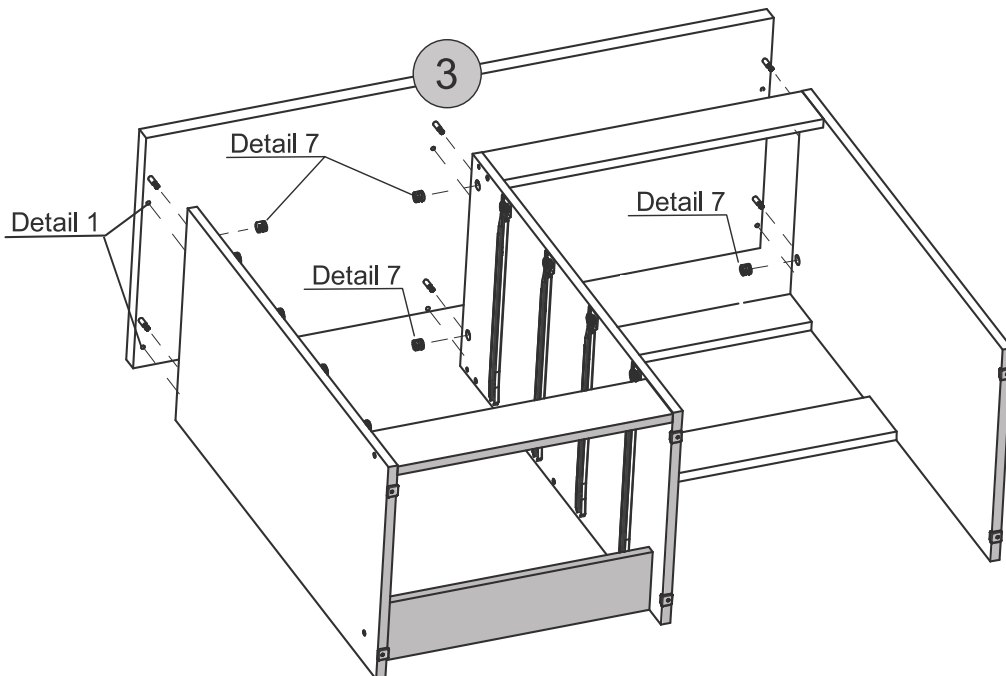
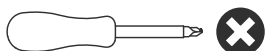


- 3 - TOP PANEL x1

HARDWARE REQUIRED



TOOLS REQUIRED



Detail 1


Detail 7

STEP 9

PARTS REQUIRED

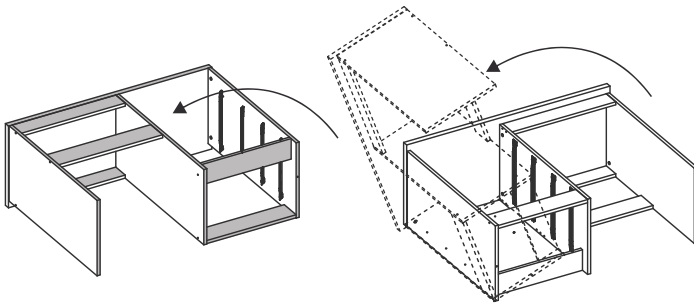
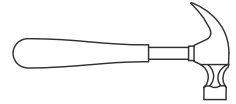
10 - BACK PANEL x2

HARDWARE REQUIRED

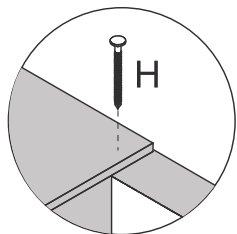
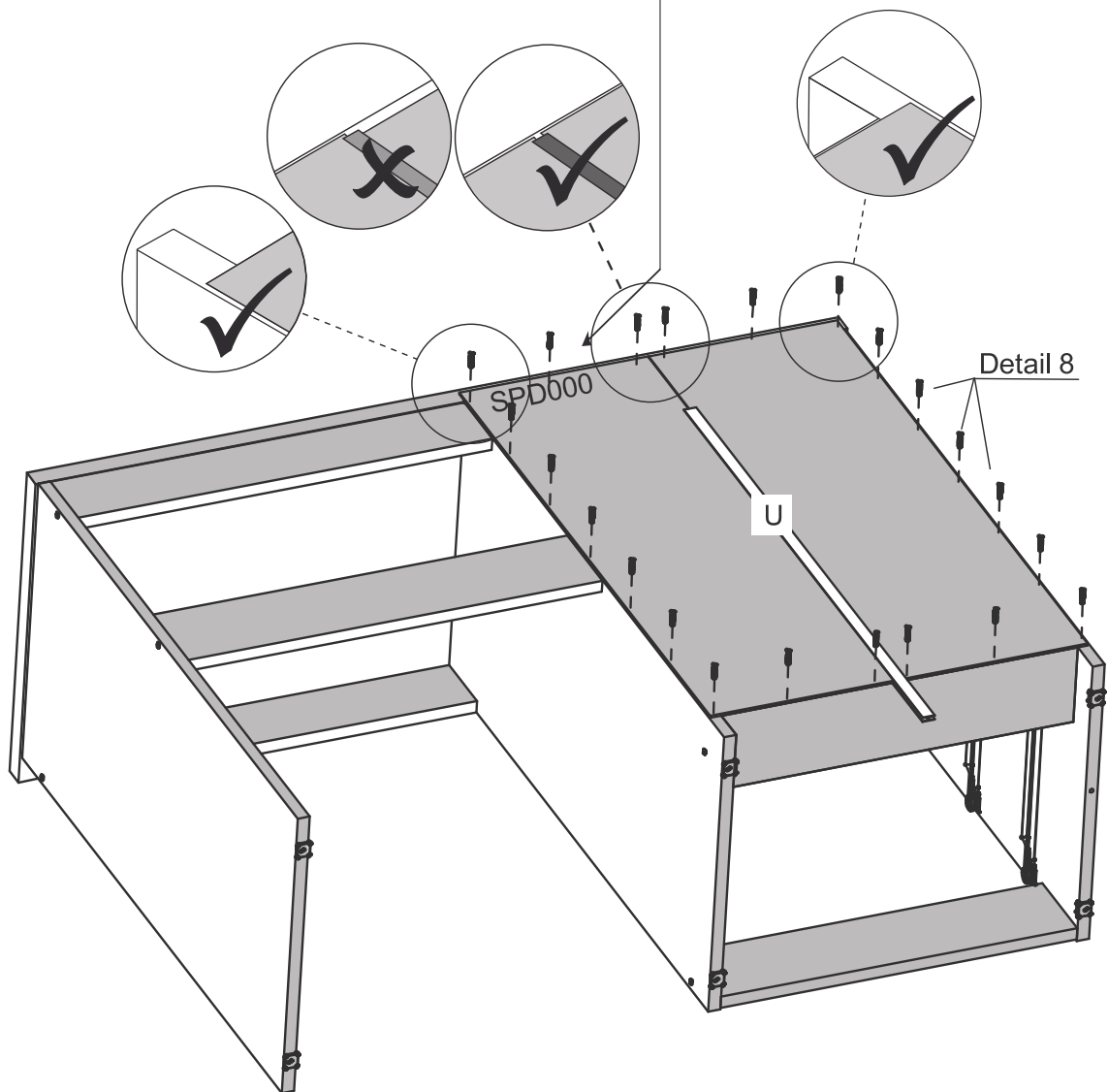
H  22

U  01

TOOLS REQUIRED



* For your future reference
Order Number should be here



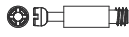
Detail 8

STEP 10

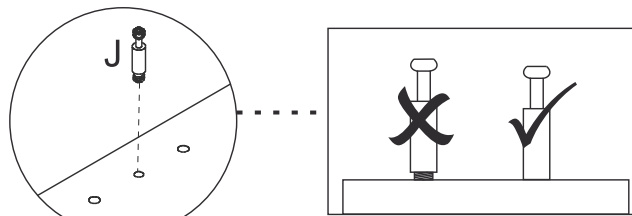
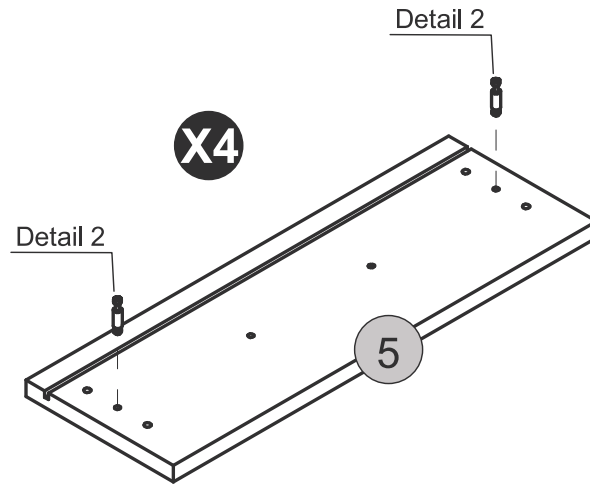
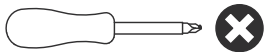
PARTS REQUIRED

5 - DRAWER FRONT x4

HARDWARE REQUIRED

J  08

TOOLS REQUIRED



Detail 2


STEP 11


PARTS REQUIRED

6 - DRAWER SIDE x8

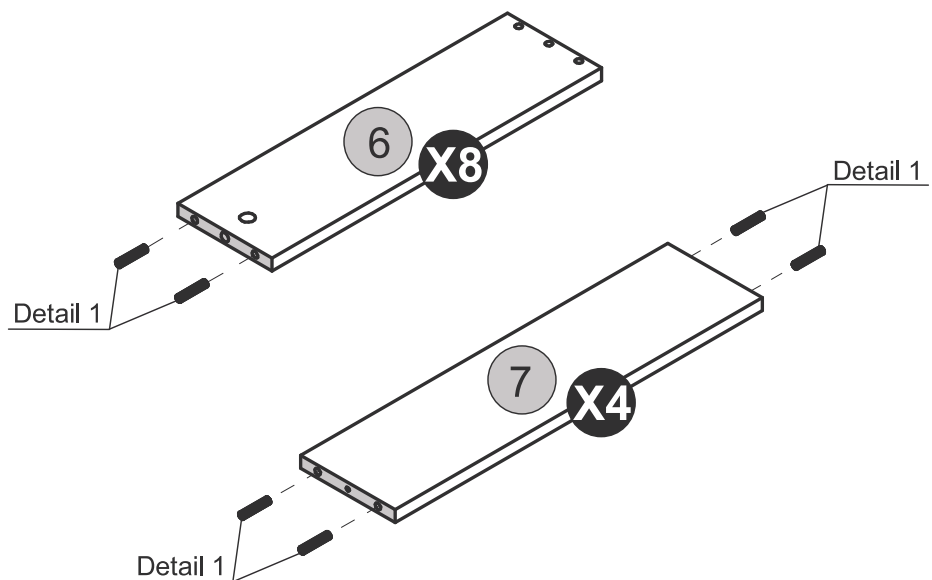
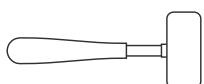
7 - DRAWER BACK x4

HARDWARE REQUIRED

G  32
Ø6,0 x 30mm

P  01
Glue

TOOLS REQUIRED



Detail 1


STEP 12

PARTS REQUIRED

6 - DRAWER SIDE x8

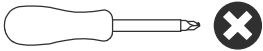
7 - DRAWER BACK x4

HARDWARE REQUIRED

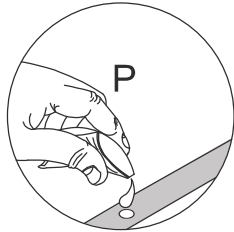
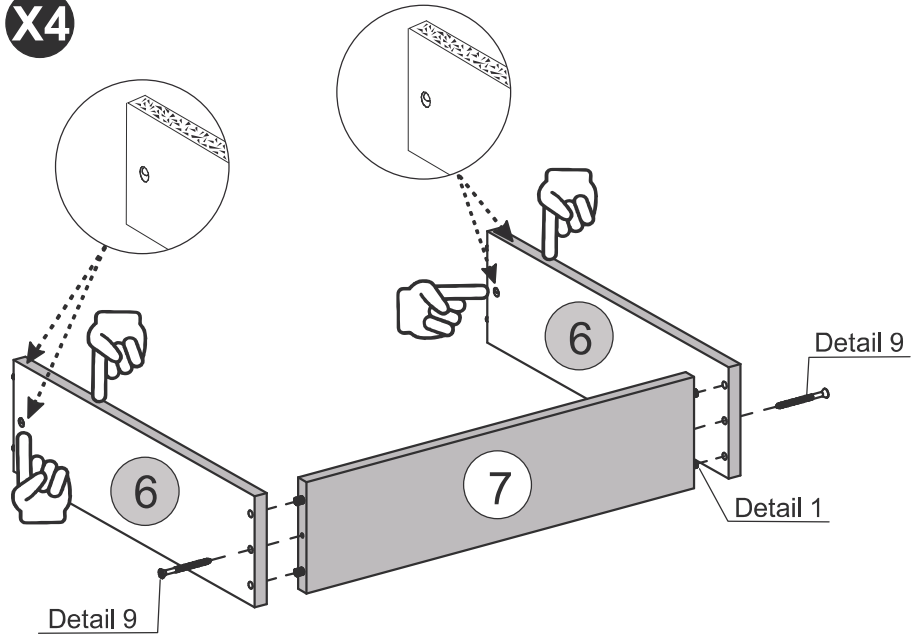
E  08
Ø4,0 x 50mm

P  01

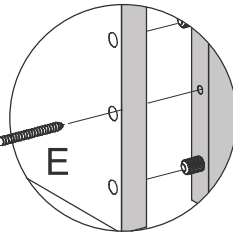
TOOLS REQUIRED



X4



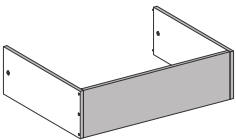
Detail 1



Detail 9

STEP 13

PARTS REQUIRED



5 - DRAWER FRONT x4

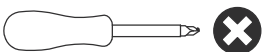
HARDWARE REQUIRED

M  08

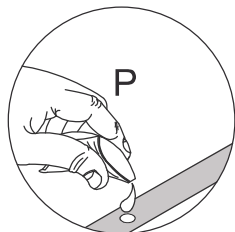
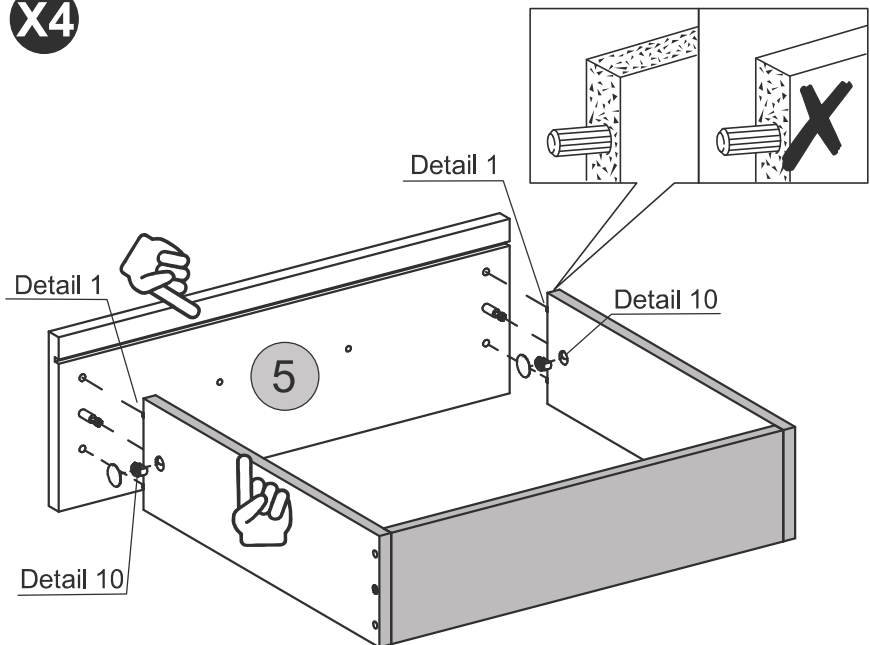
V  08

P  01

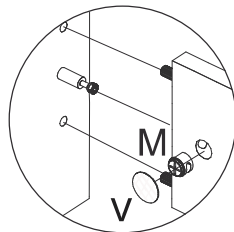
TOOLS REQUIRED



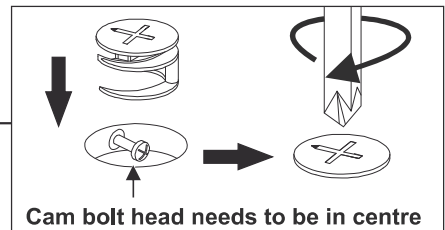
X4



Detail 1

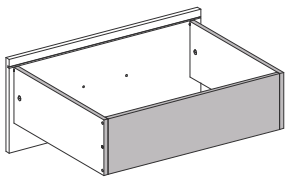


Detail 10



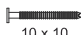
STEP 14

PARTS REQUIRED

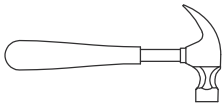


8 - DRAWER BOTTOM x4

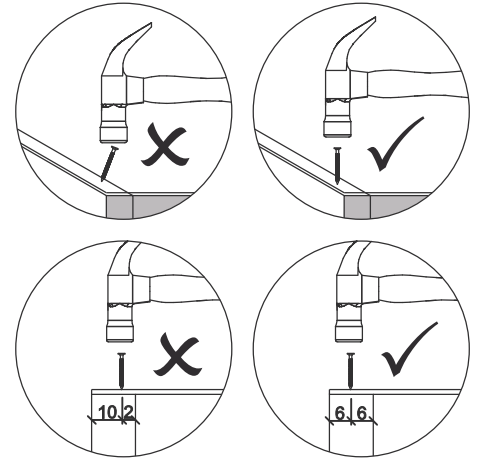
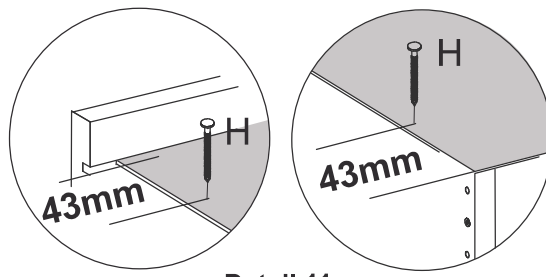
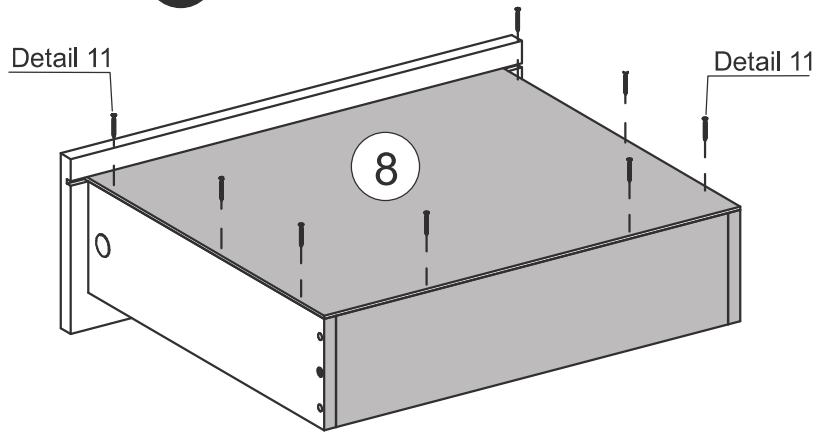
HARDWARE REQUIRED

H  32
10 x 10

TOOLS REQUIRED



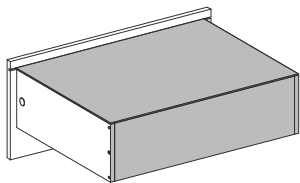
X4



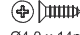
Detail 11

STEP 15

PARTS REQUIRED



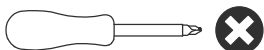
HARDWARE REQUIRED

A  16
Ø4,0 x 14mm

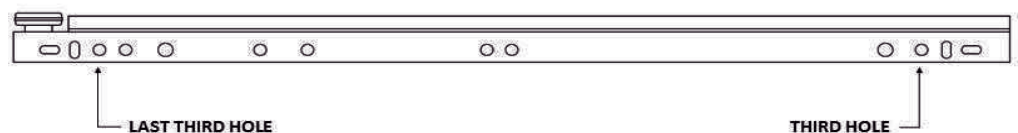
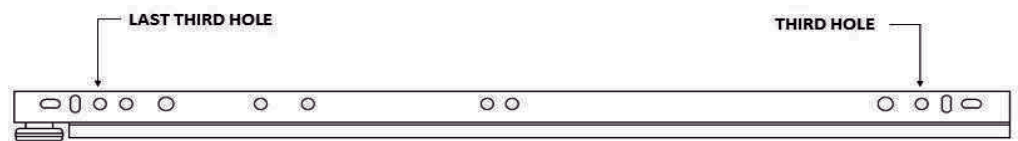
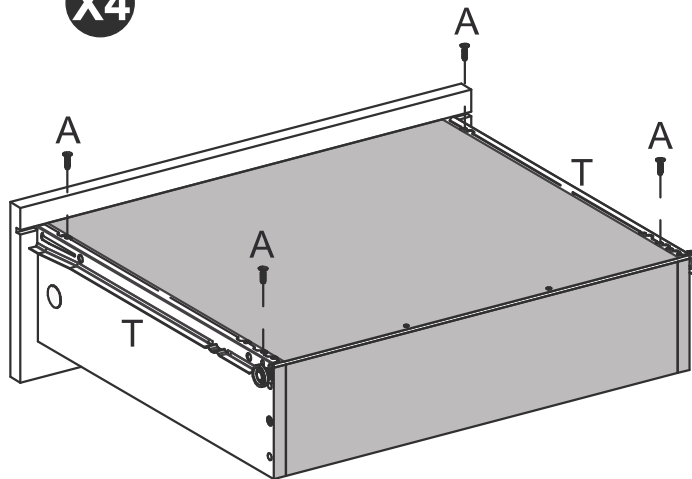
T LEFT 04

T RIGHT 04

TOOLS REQUIRED

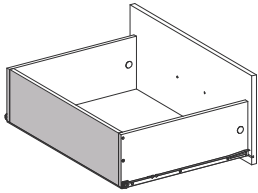


X4

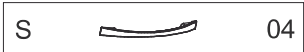


STEP 16

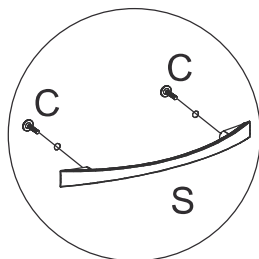
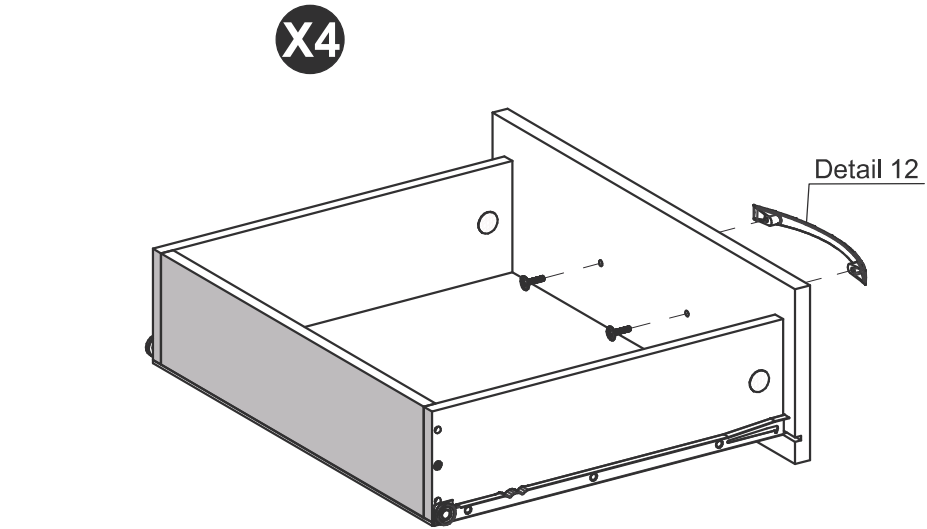
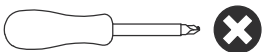
PARTS REQUIRED



HARDWARE REQUIRED



TOOLS REQUIRED



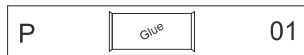
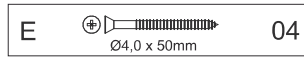
Detail 12

STEP 17

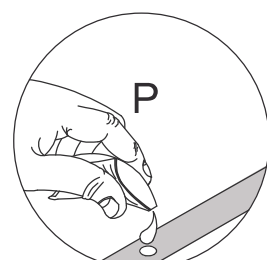
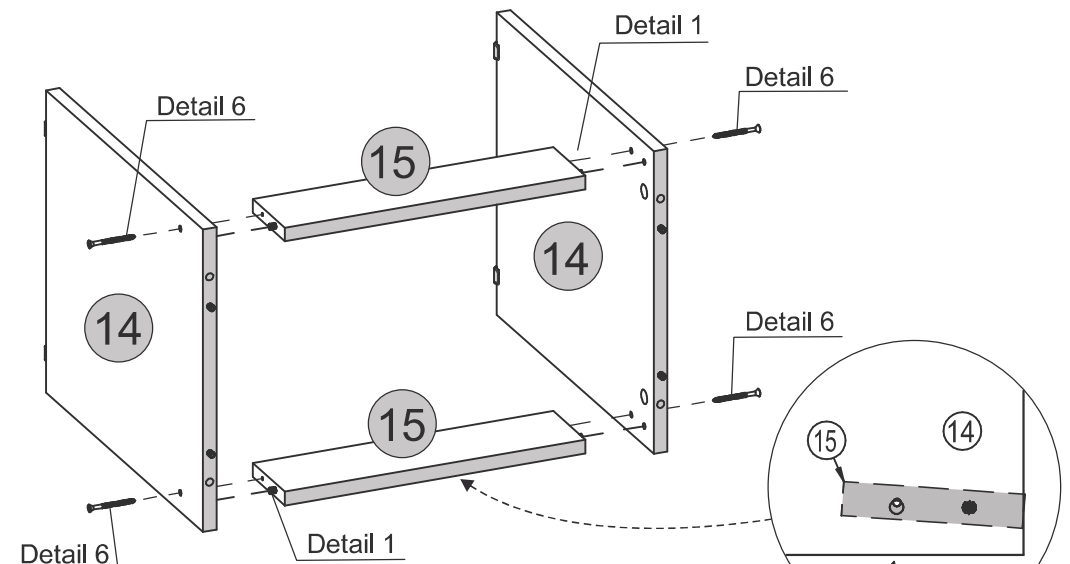
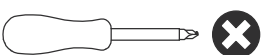
PARTS REQUIRED



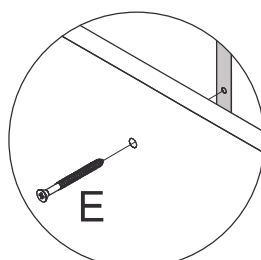
HARDWARE REQUIRED



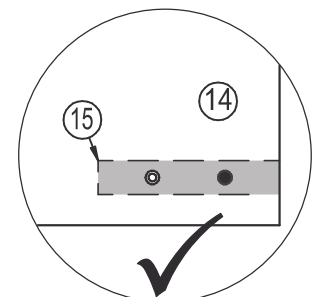
TOOLS REQUIRED



Detail 1

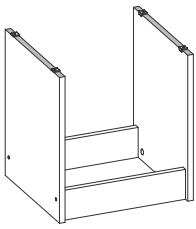


Detail 6




STEP 18


PARTS REQUIRED



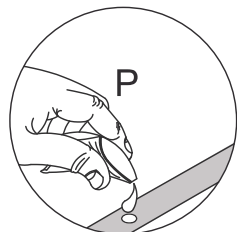
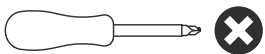
16 - STOOL SEAT x1

HARDWARE REQUIRED

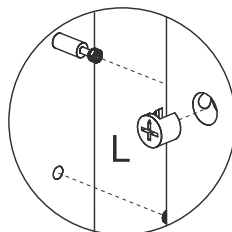
L  04

P  01

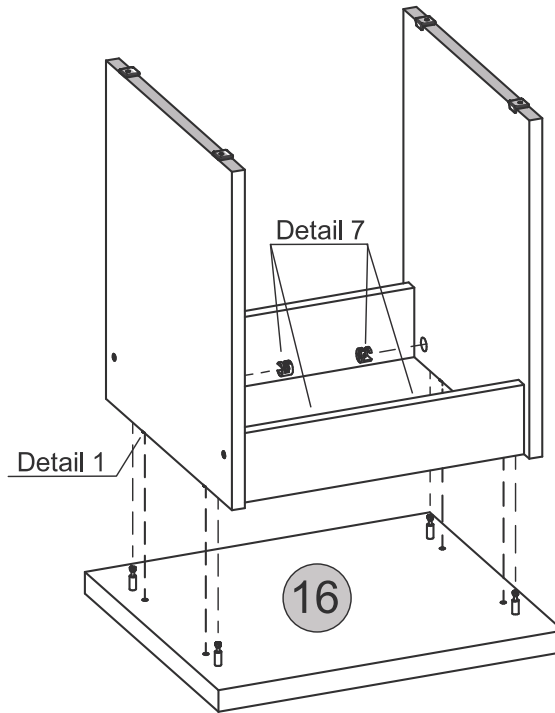
TOOLS REQUIRED



Detail 1



Detail 7




STEP 19

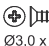
PARTS REQUIRED


17 - MIRROR BASE PANEL x1

18 - MIRROR SIDE PANEL x2

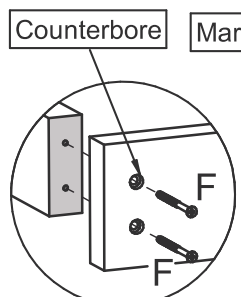
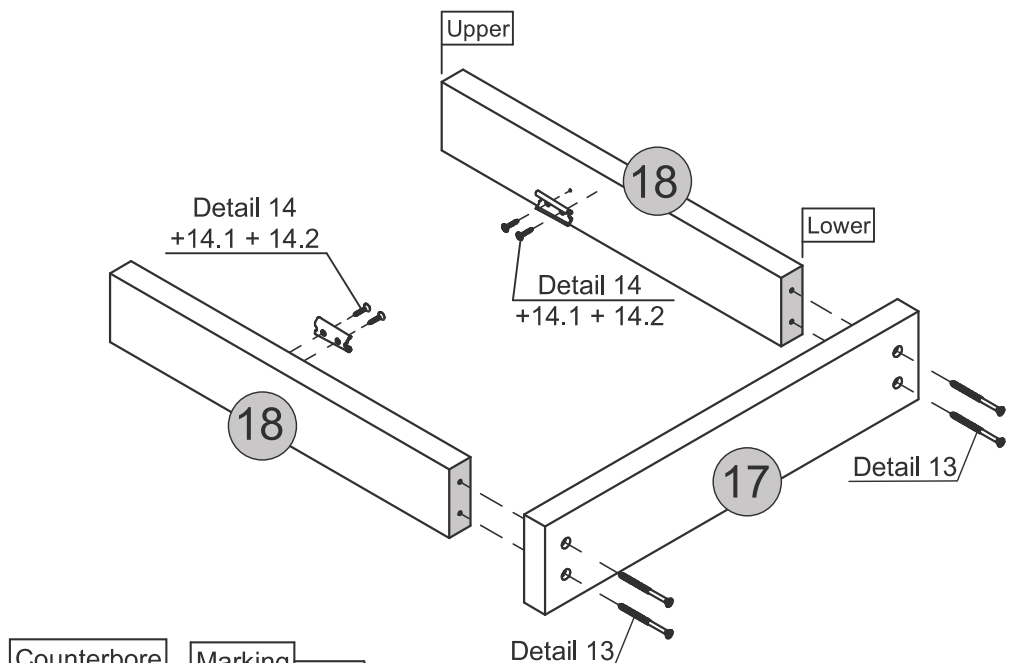
HARDWARE REQUIRED

F  04
Ø4,5 x 60mm

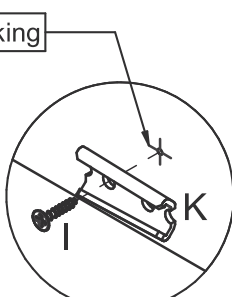
I  04
Ø3,0 x 16mm

K  02

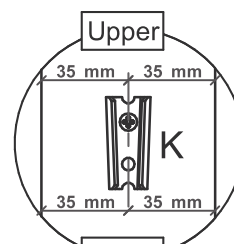
TOOLS REQUIRED



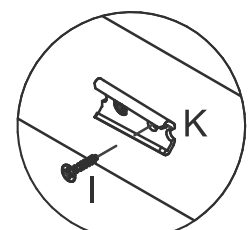
Detail 13



Detail 14



Detail 14.1



Detail 14.2

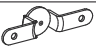
STEP 20

PARTS REQUIRED

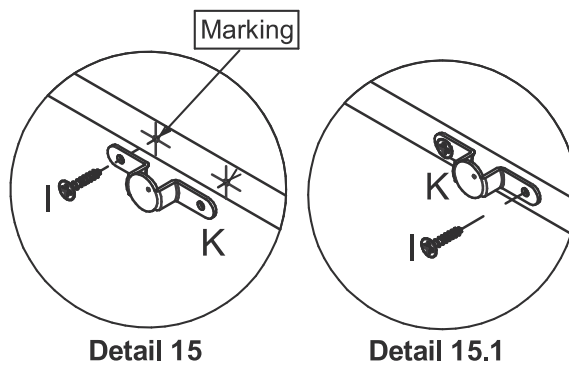
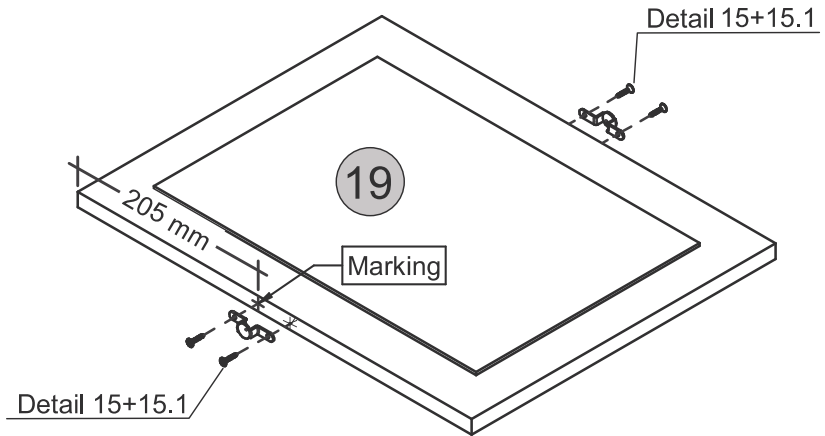
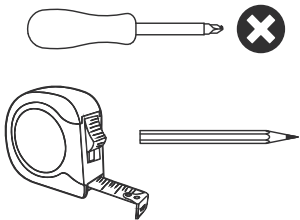
19 - MIRROR PANEL x1

HARDWARE REQUIRED

I  04
Ø3.0 x 16mm

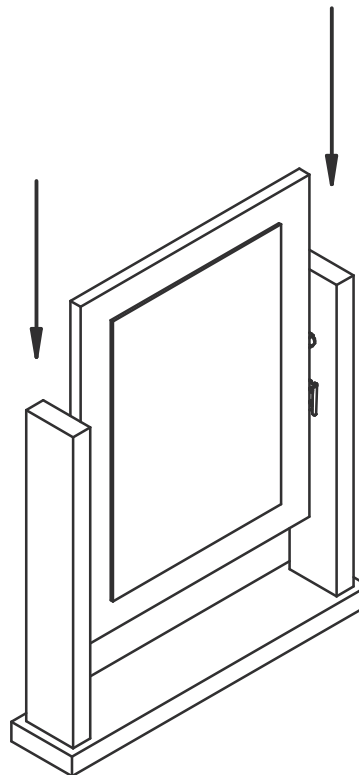
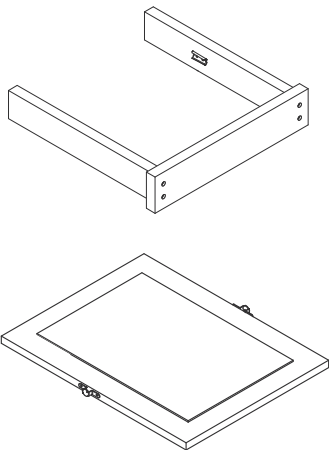
K  02

TOOLS REQUIRED



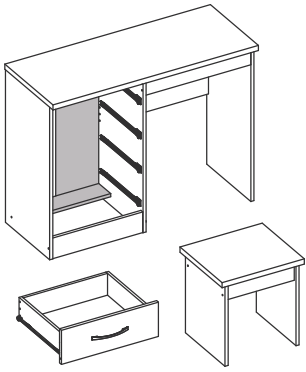
STEP 21

PARTS REQUIRED

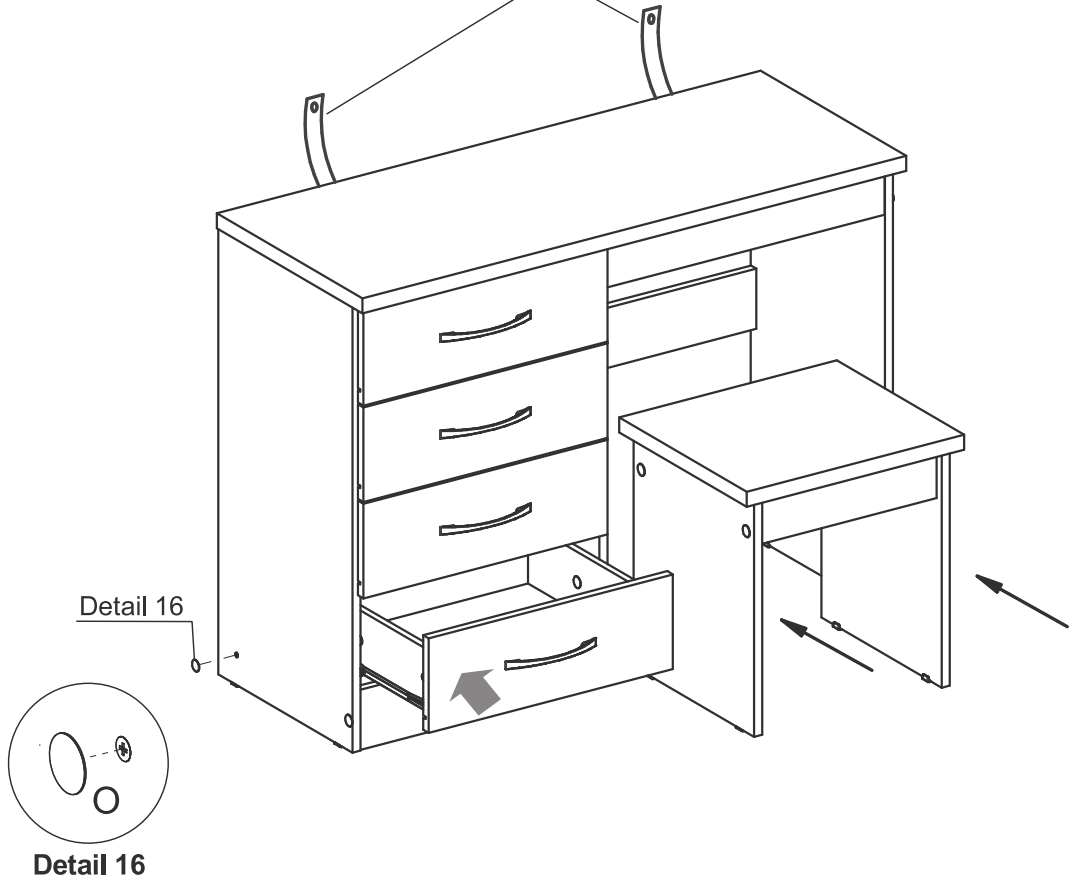
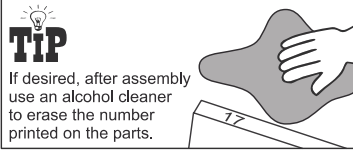


STEP 22

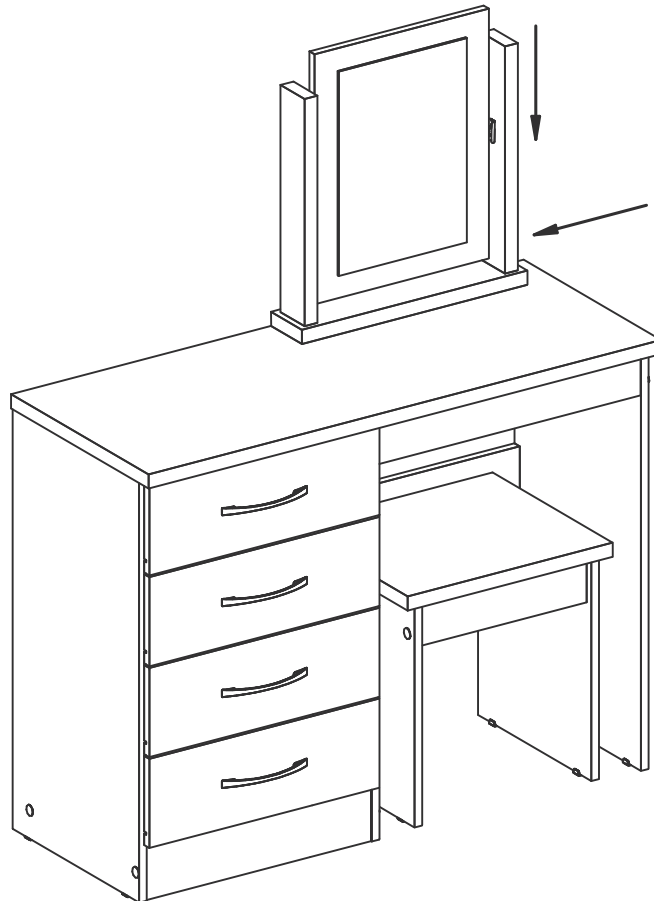
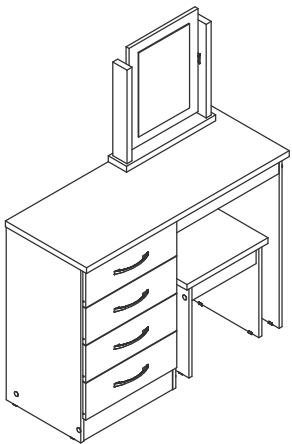
PARTS REQUIRED



HARDWARE REQUIRED



STEP 23



WARNING

Serious or fatal injuries can occur from furniture tipping over. To prevent the furniture from tipping over we recommend that it is permanently fixed to the wall.

Wall fixings are not supplied with this product as different wall materials require different types of fixing devices.
Please make sure you use fixings suitable for the walls in your home.

