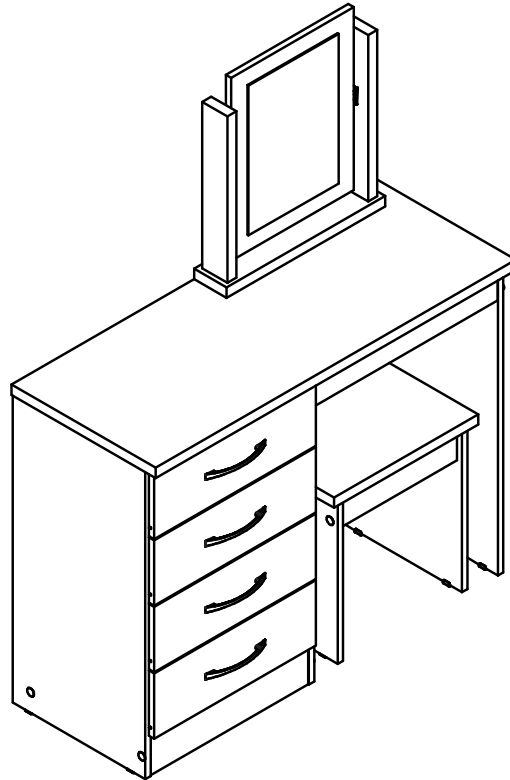


# NEVADA DRESSING TABLE SET ASSEMBLY INSTRUCTIONS



## IMPORTANT FOR DOMESTIC USE ONLY

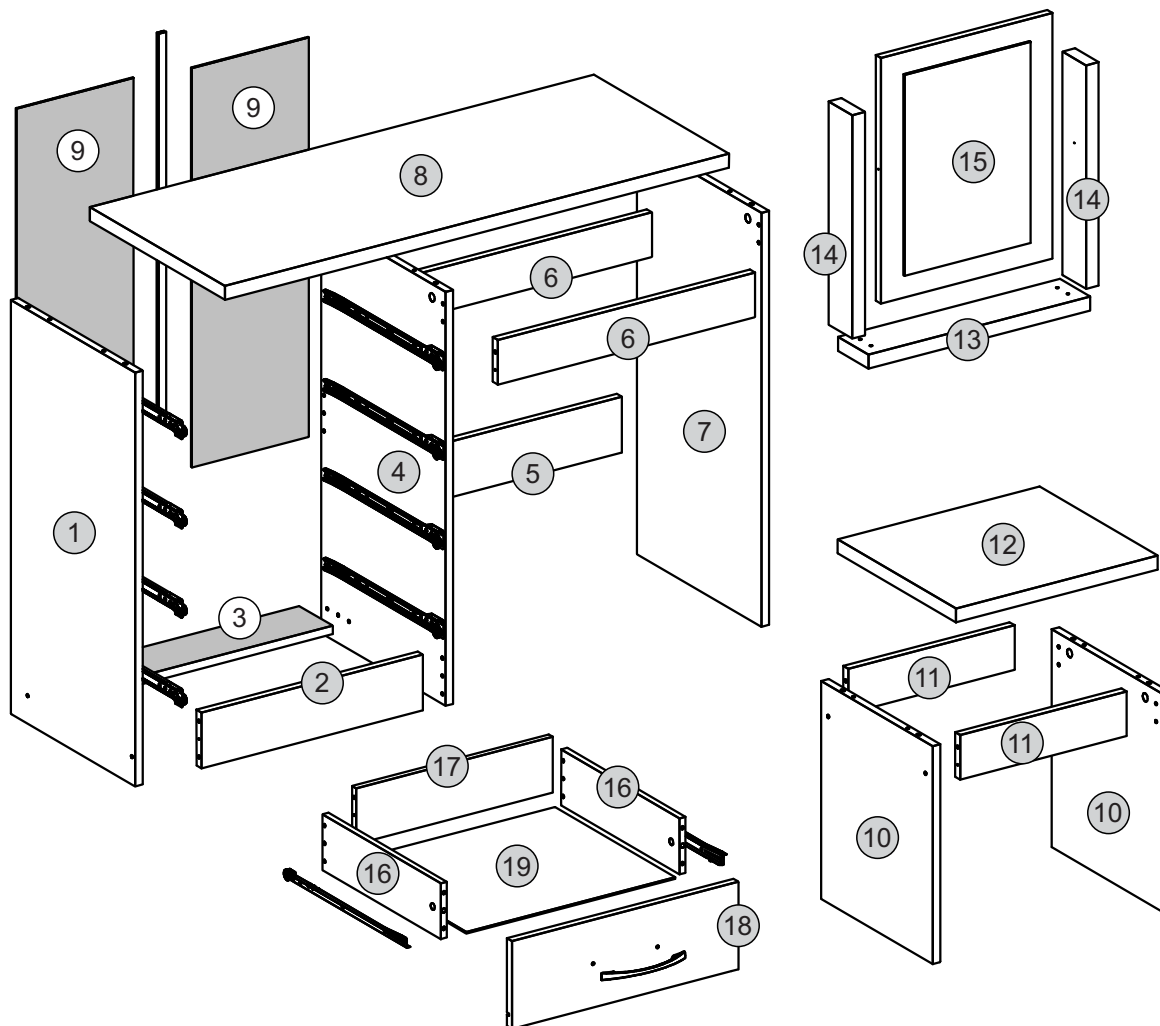
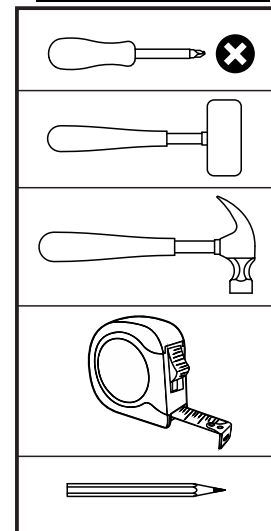
PLEASE READ BEFORE YOU CONTINUE FURTHER

## CARE AND MAINTENANCE

After unpacking this product please keep the original packaging in case it needs to be returned for any reason.

- Please ensure all fittings and parts are present before commencing with assembly.
- Never drag or push products as this could cause damage to the joints making it inferior.
- We strongly recommend that you keep children away from your work area.
- We recommend that you lay a blanket or sheet on the floor to avoid damage to both your floor and the product.
- Assemble this product as close to its final position as possible.
- Do not place this product next to a radiator or in direct sunlight.
- Do not drag or push items across your high gloss furniture as this may cause the surface to scratch
- Wood is a natural product and may expand if subjected to damp and may shrink or crack if subjected to heat. Therefore it is recommended that room temperature is maintained, with no sudden temperature fluctuations.
- Make sure any spillage is wiped off immediately.
- Do not place hot or chilled items directly on to the surface, use a place mat or marking will occur.
- For general cleaning use a soft cotton or micro fibre cloth, and do not use detergents of any kind.
- From time to time it may be necessary to tighten fittings, regular inspections should be carried out.
- Do not place on a wet or damp floor as staining may occur to your floor.



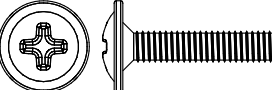
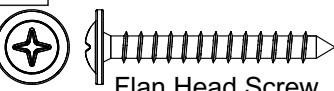

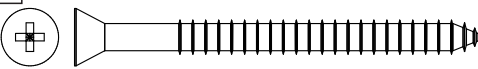


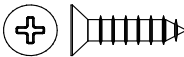
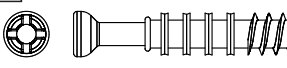
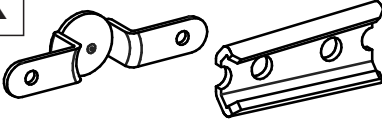
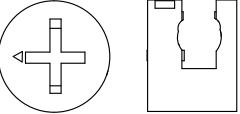
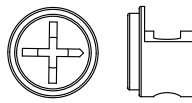
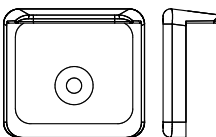

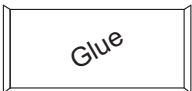

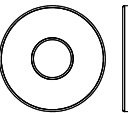

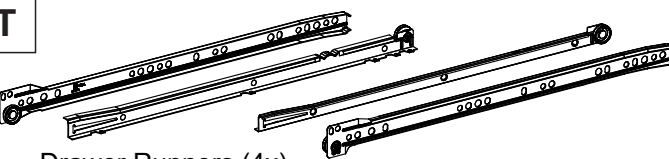
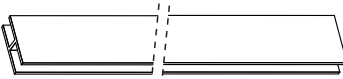
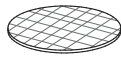
**TOOLS REQUIRED**



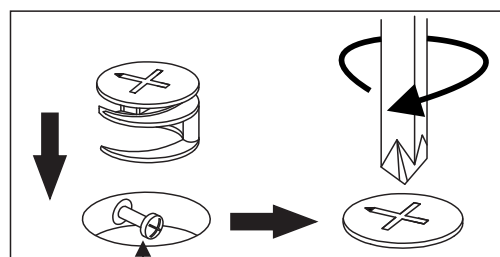
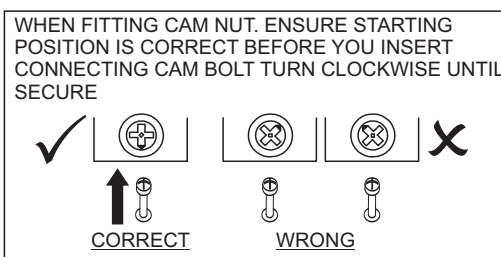
**Please Note:**  
The below parts have all been stamped with the part number to help identify them during assembly.

<b>Part Number</b>	<b>Part Description</b>	<b>Quantity</b>	<b>Carton</b>
01	Left Chest Side Panel	1	1/2
02	Front Baseboard	1	1/2
03	Back Baseboard	1	1/2
04	Right Chest Side Panel	1	1/2
05	Back Crossbar	1	1/2
06	Upper Crossbar	2	1/2
07	Right Table Side Panel	1	1/2
08	Top Panel	1	2/2
09	Back Panel	2	1/2
10	Stool Side Panel	2	2/2
11	Stool Crosspiece	2	2/2
12	Stool Seat	1	2/2
13	Mirror Base Panel	1	1/2
14	Mirror Side Panel	2	2/2
15	Mirror Panel	1	2/2
16	Drawer Side	8	2/2
17	Drawer Back	4	2/2
18	Drawer Front	4	1/2
19	Drawer Bottom	4	2/2

# FITTINGS LIST

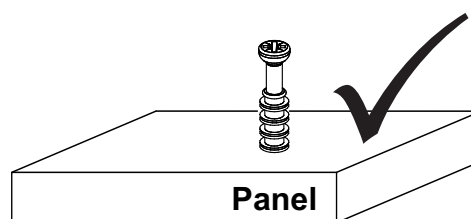
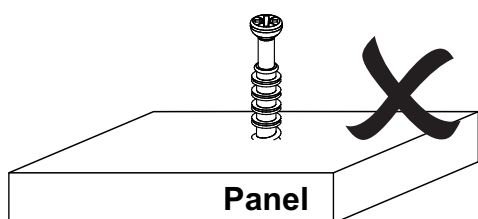
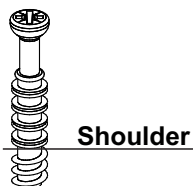
<b>A</b>  Flat Head Screw Ø4,0 x 14mm (24x) +/2	<b>B</b>  Flat Head Screw Ø6,0 x 10mm (16x) +/2	<b>C</b>  Flan Head Screw Ø4,0 x 20mm (8x) +/1	<b>D</b>  Flan Head Screw Ø3,5 x 30mm (2x) +/1
<b>E</b>  Flat Head Screw Ø4,0x 50mm (22x) +/2	<b>F</b>  Flat Head Screw Ø4,5x 60mm (4x) +/1	<b>G</b>  Dowel Ø6,0 x 30mm (62x) +/2	
<b>H</b>  Nail 10 x 10 (64x) +/2	<b>I</b>  Flat Head Screw Ø3,0 x 16mm (8x) +/1	<b>J</b>  Cam Bolt (18x) +/2	<b>K</b>  Mirror Support (2x)
<b>L</b>  Cam Nut Ø15mm (10x) +/2	<b>M</b>  Cam Nut Ø12mm (8x) +/1	<b>N</b>  Plastic Foot (10x) +/2	<b>O</b>  Hole Plugs (11x) +/2
<b>P</b>  Glue (2x)	<b>Q</b>  Strap (2x)	<b>R</b>  Washer (4x) +/1	<b>S</b>  Handle (4x)
<b>T</b>  Drawer Runners (4x)		<b>U</b>  Back Panel Strip (1x)	<b>V</b>  Hole Plugs (8x) +/2

## TIPS FOR FITTINGS CAM-LOCKS



### CAMBOLT

Tighten until shoulder in flush with panel. Do not overtighten or undertighten (see example beside)

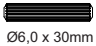



# STEP 1

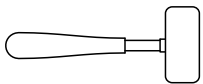
## PARTS REQUIRED

2 - FRONT BASEBOARD	x1
3 - BACK BASEBOARD	x1
5 - BACK CROSSBAR	x1
6 - UPPER CROSSBAR	x2
11 - STOOL CROSSPIECE	x2

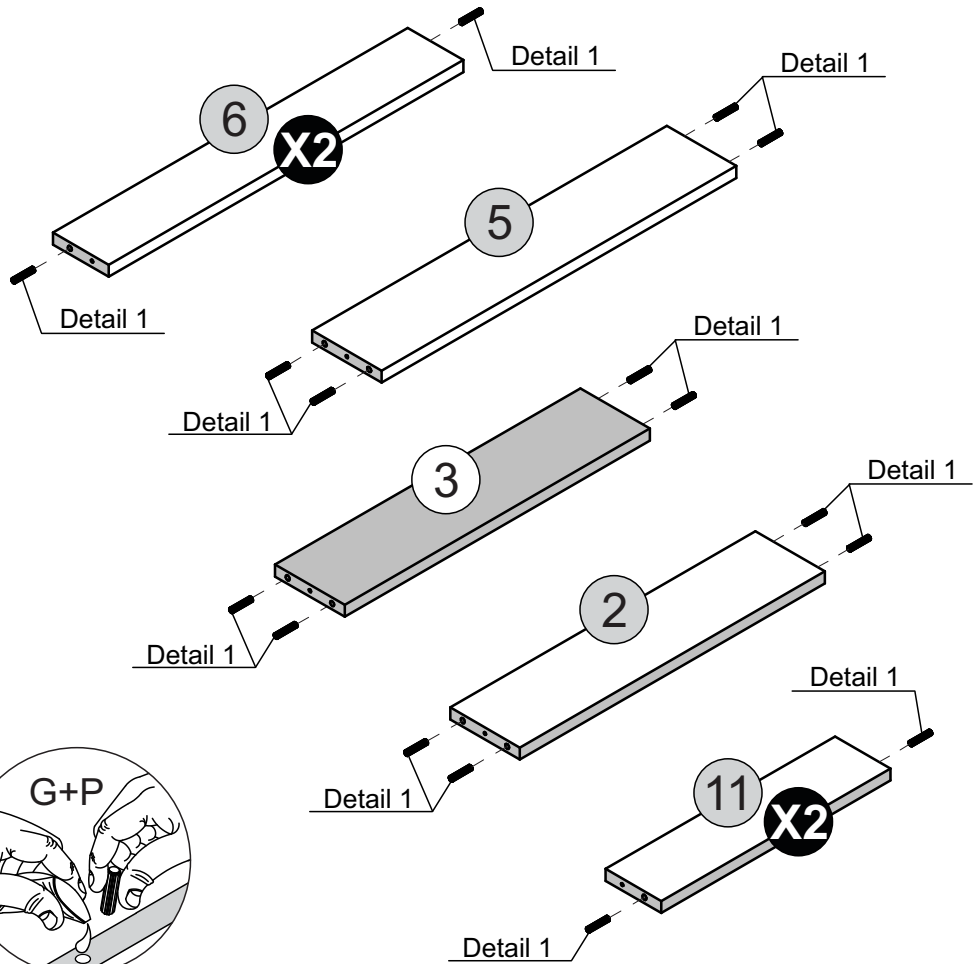
## HARDWARE REQUIRED

G		20
P		01

## TOOLS REQUIRED



Detail 1

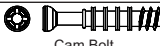


# STEP 2

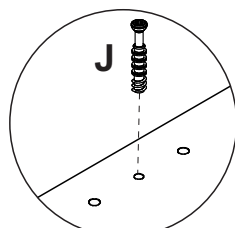
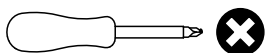
## PARTS REQUIRED

8 - TOP PANEL	x1
12 - STOOL SEAT	x1

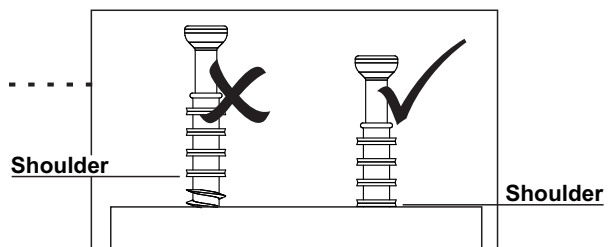
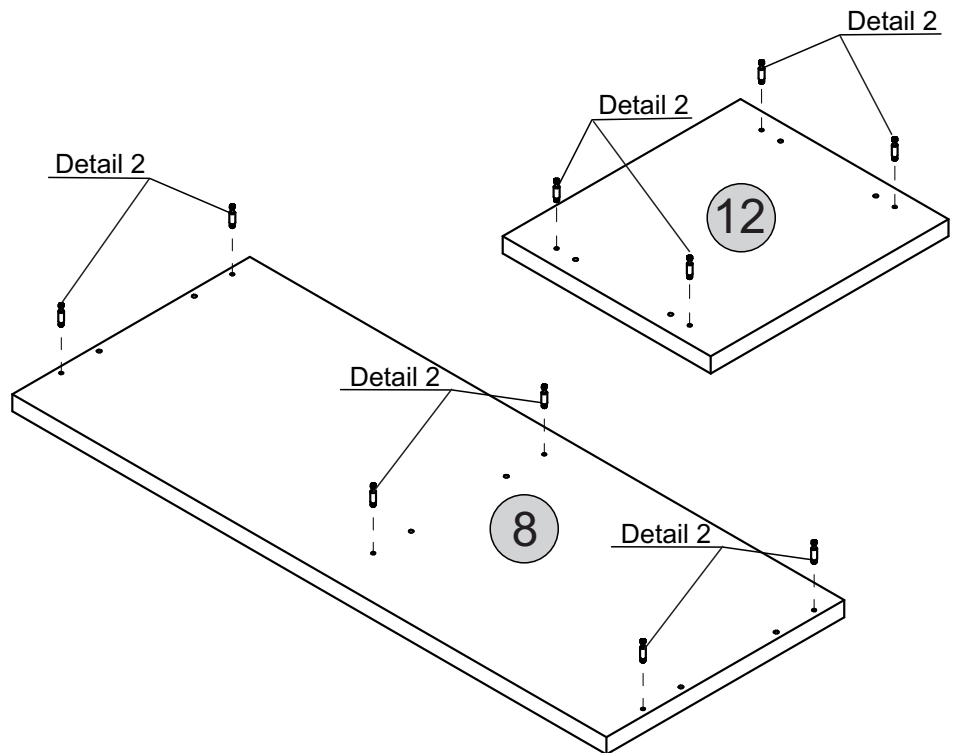
## HARDWARE REQUIRED

J		10
---	---	----

## TOOLS REQUIRED



Detail 2

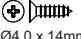


# STEP 3


## PARTS REQUIRED

4 - RIGHT CHEST SIDE PANEL x1


## HARDWARE REQUIRED


A  04  
Ø4,0 x 14mm

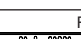
B  08  
Ø6,0 x 10mm

G  02  
Ø6,0 x 30mm

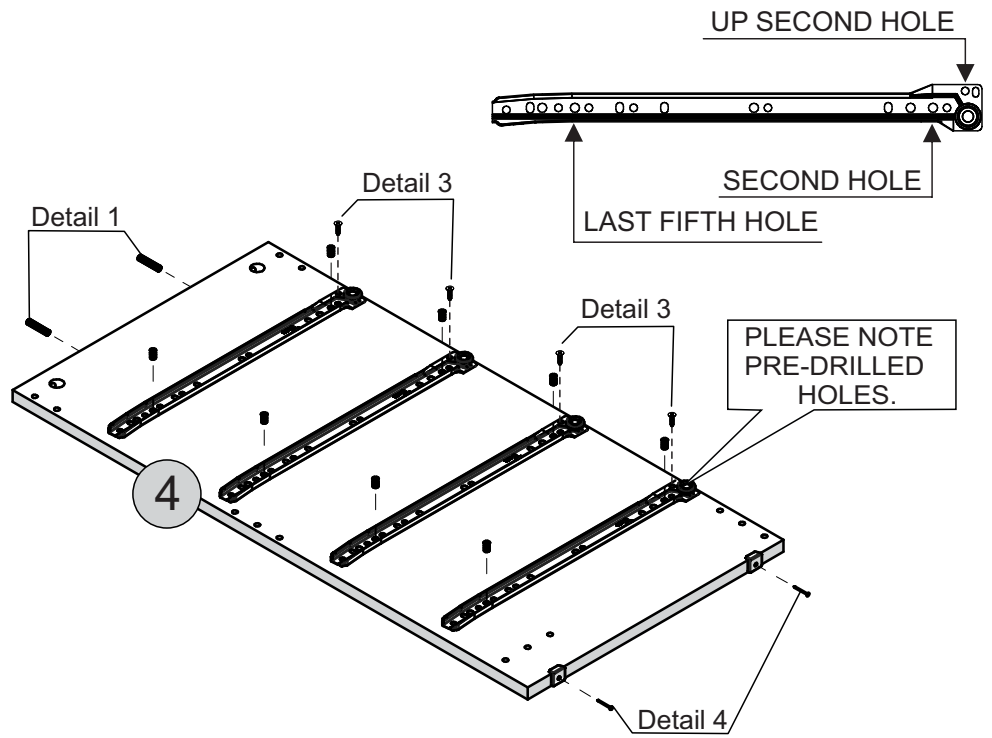
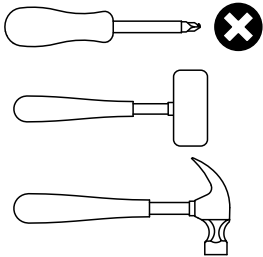
H  02

N  02

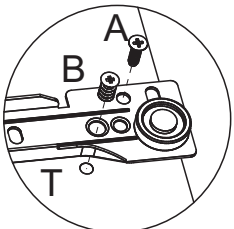
P  01

T  04  
Right

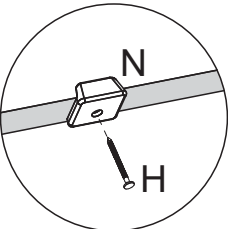
## TOOLS REQUIRED



Detail 1



Detail 3



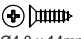
Detail 4

# STEP 4


## PARTS REQUIRED

1 - LEFT CHEST SIDE PANEL x1

## HARDWARE REQUIRED

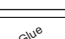
A  04  
Ø4,0 x 14mm

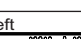
B  08  
Ø6,0 x 10mm

G  02  
Ø6,0 x 30mm

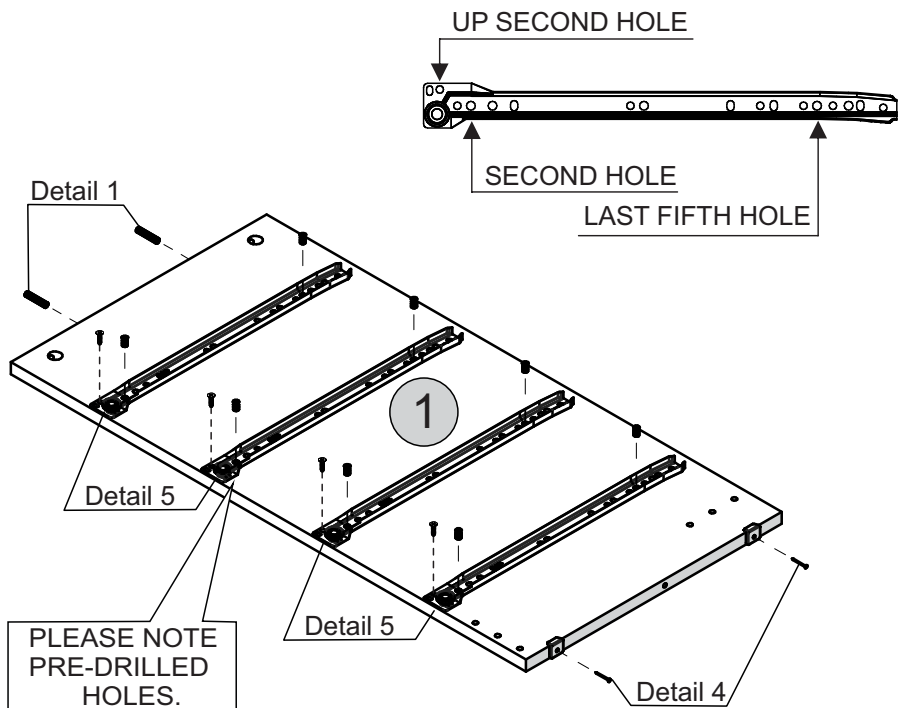
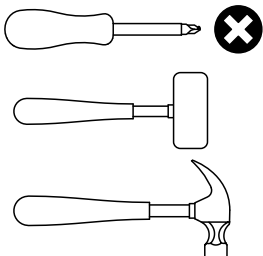
H  02

N  02

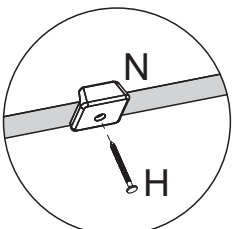
P  01

T  04  
Left

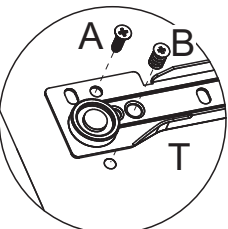
## TOOLS REQUIRED



Detail 1



Detail 4



Detail 5


# STEP 5

## PARTS REQUIRED

7 - RIGHT TABLE SIDE PANEL x1

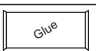
10 - STOOL SIDE PANEL x2

## HARDWARE REQUIRED

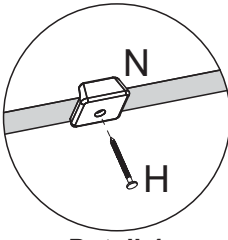
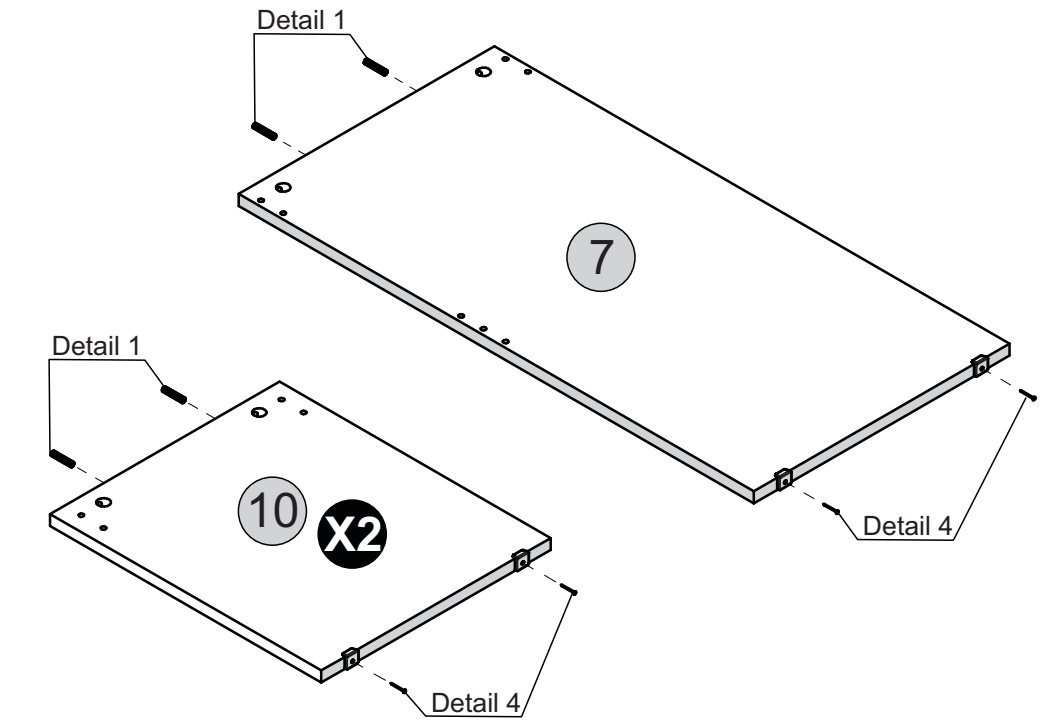
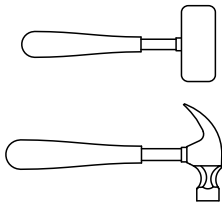
G  06  
Ø6,0 x 30mm

H  06

N  06

P  01

## TOOLS REQUIRED



Detail 1

Detail 4

# STEP 6

## PARTS REQUIRED


1 - LEFT CHEST SIDE PANEL x1


2 - FRONT BASEBOARD x1

3 - BACK BASEBOARD x1

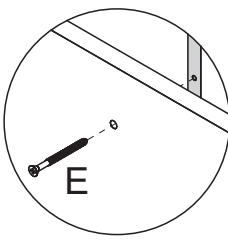
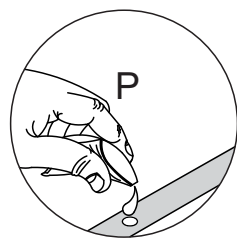
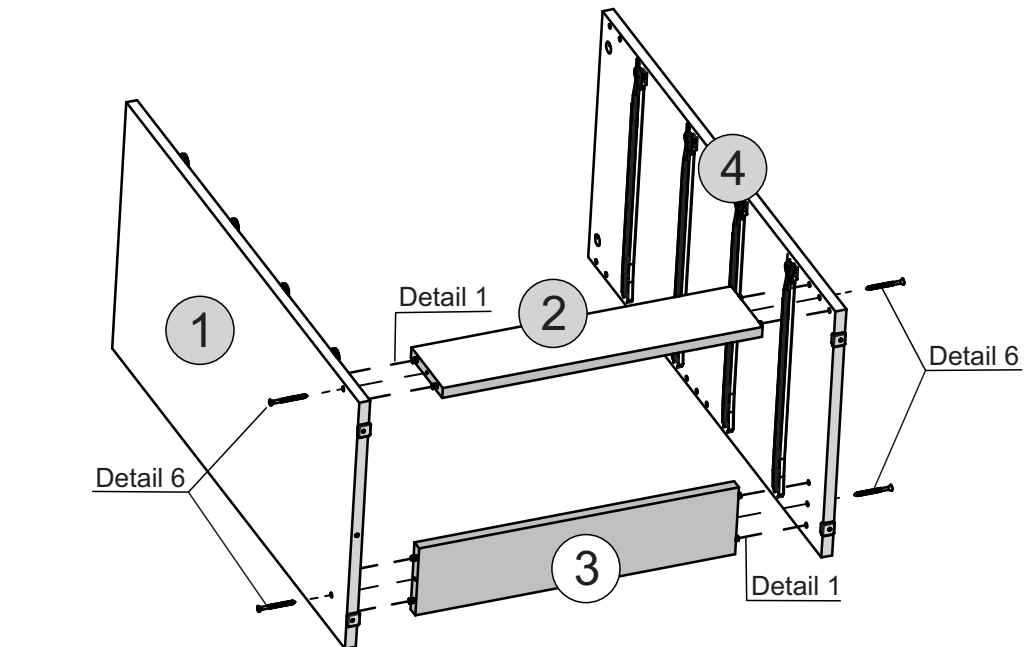
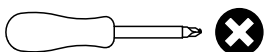
4 - RIGHT CHEST SIDE PANEL x1

## HARDWARE REQUIRED

E  04  
Ø4,0 x 50mm

P  01

## TOOLS REQUIRED

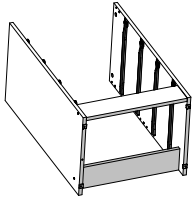


Detail 1

Detail 6

# STEP 7

## PARTS REQUIRED





5 - BACK CROSSBAR x1

6 - UPPER CROSSBAR x2

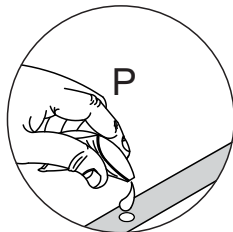
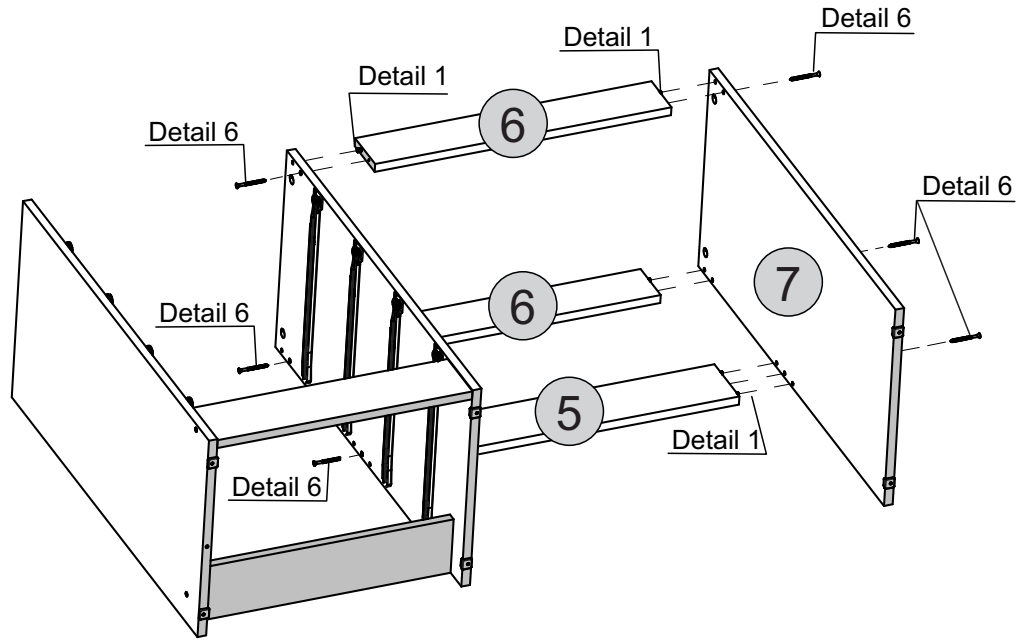
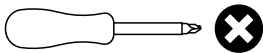
7 - RIGHT TABLE SIDE PANEL x1

## HARDWARE REQUIRED

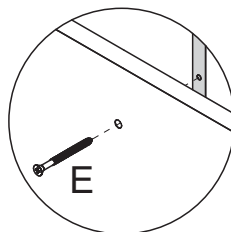
E  06  
Ø4.0 x 50mm

P  01

## TOOLS REQUIRED



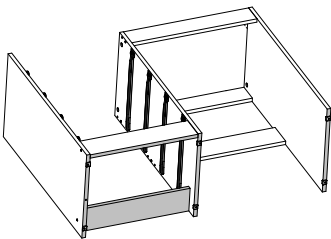
Detail 1



Detail 6

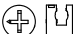
# STEP 8


## PARTS REQUIRED



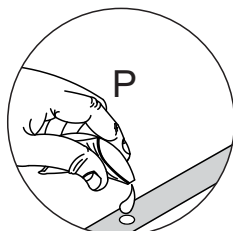
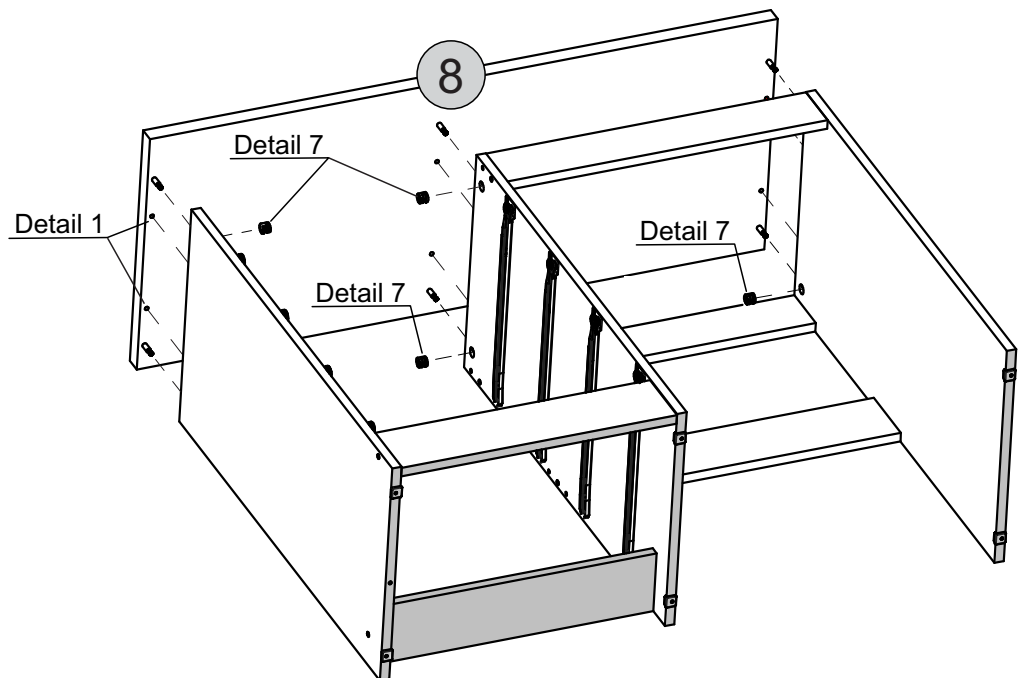
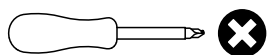
8 - TOP PANEL x1

## HARDWARE REQUIRED

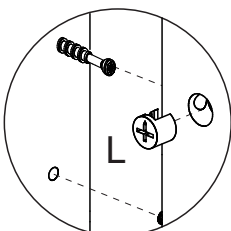
L  06

P  01

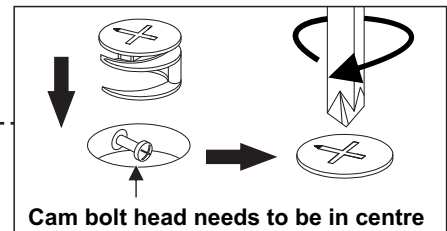
## TOOLS REQUIRED



Detail 1



Detail 7




# STEP 9

## PARTS REQUIRED

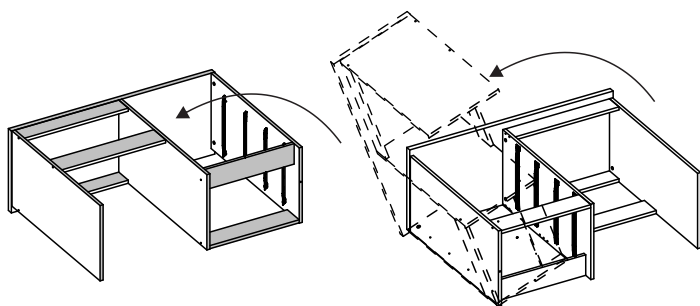
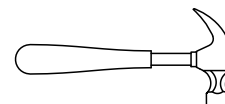
9 - BACK PANEL x2

## HARDWARE REQUIRED

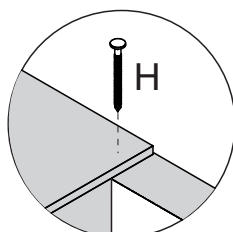
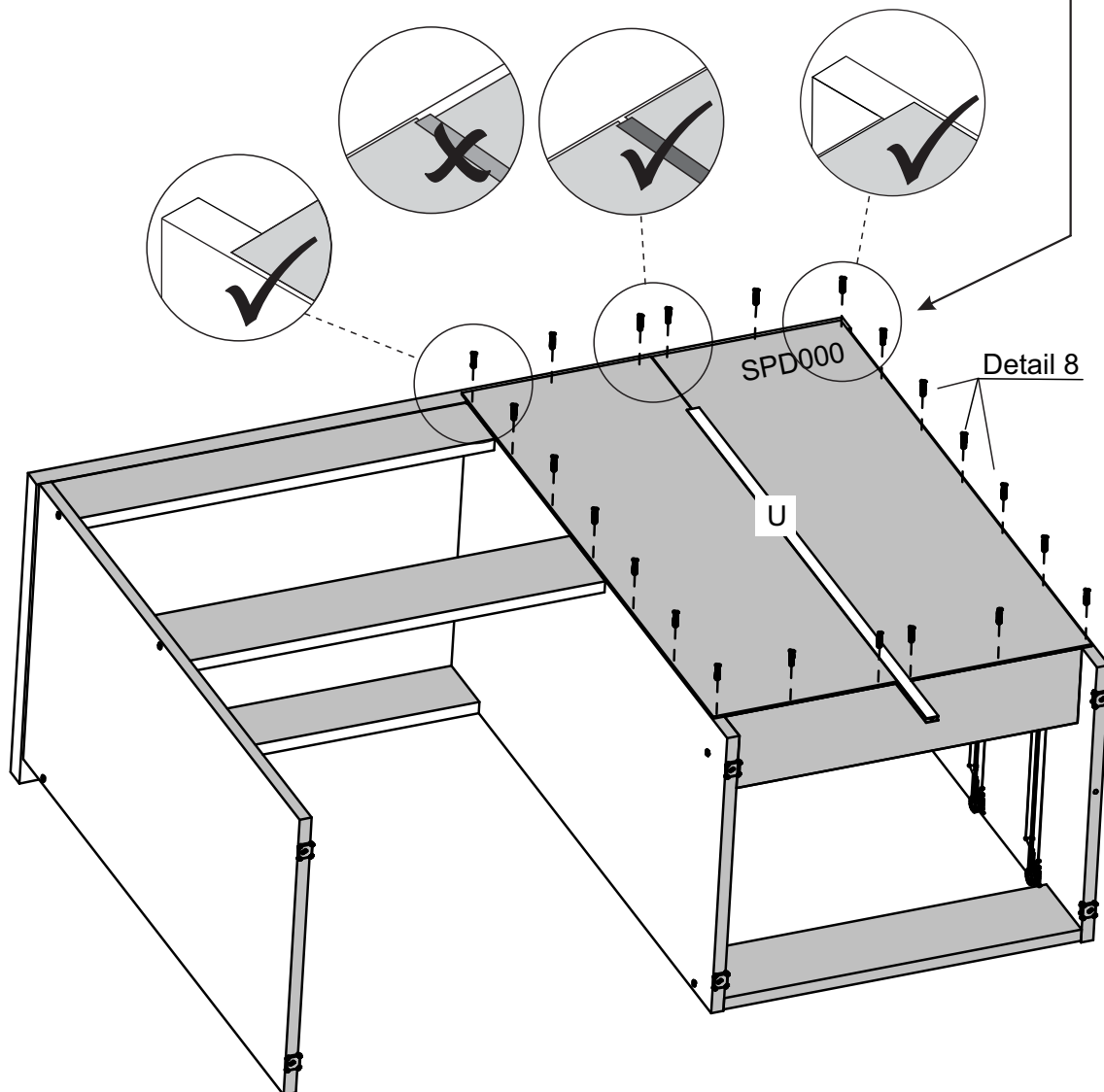
H  22  
10 x 10

U  01

## TOOLS REQUIRED



\* For your future reference  
Order Number should be here



Detail 8




# STEP 10

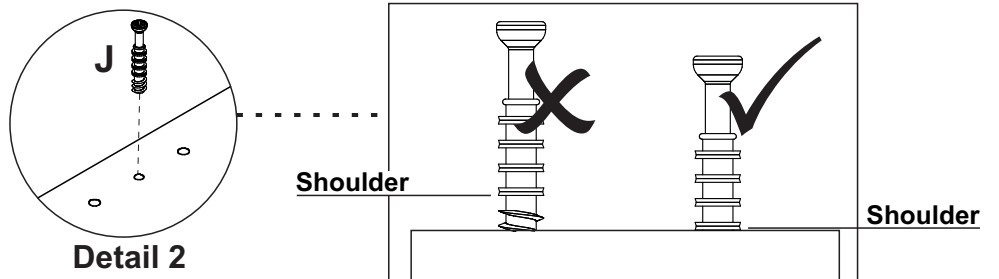
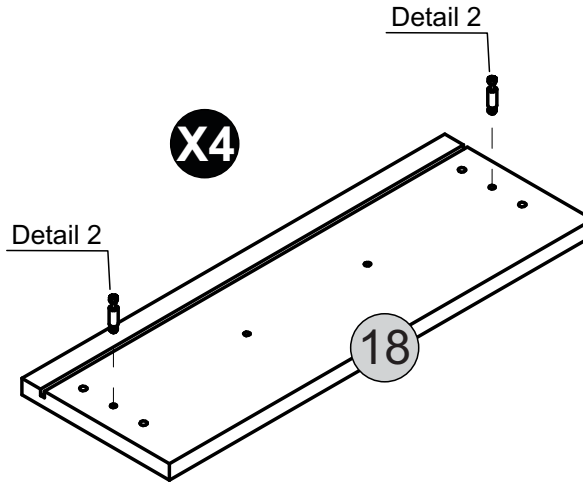
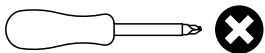
## PARTS REQUIRED

18 - DRAWER FRONT x4

## HARDWARE REQUIRED

J  08

## TOOLS REQUIRED




# STEP 11


## PARTS REQUIRED

16 - DRAWER SIDE x8

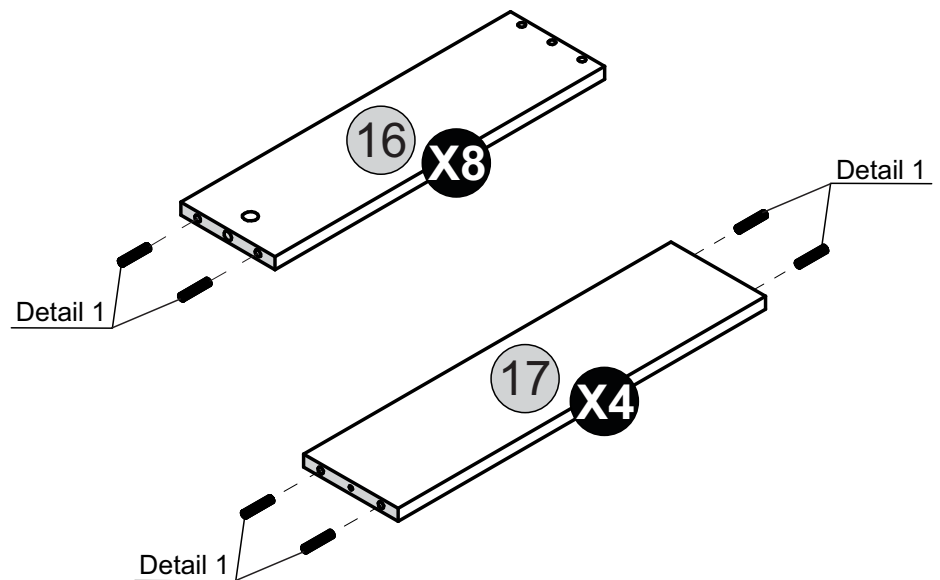
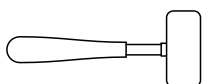
17 - DRAWER BACK x4

## HARDWARE REQUIRED

G  32  
Ø6,0 x 30mm

P  01

## TOOLS REQUIRED

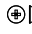
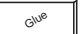


# STEP 12

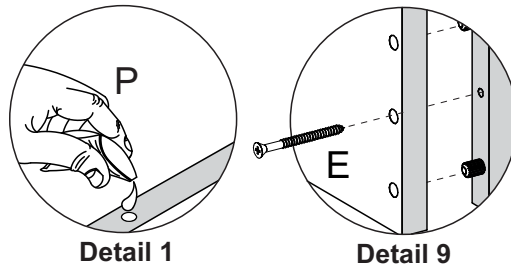
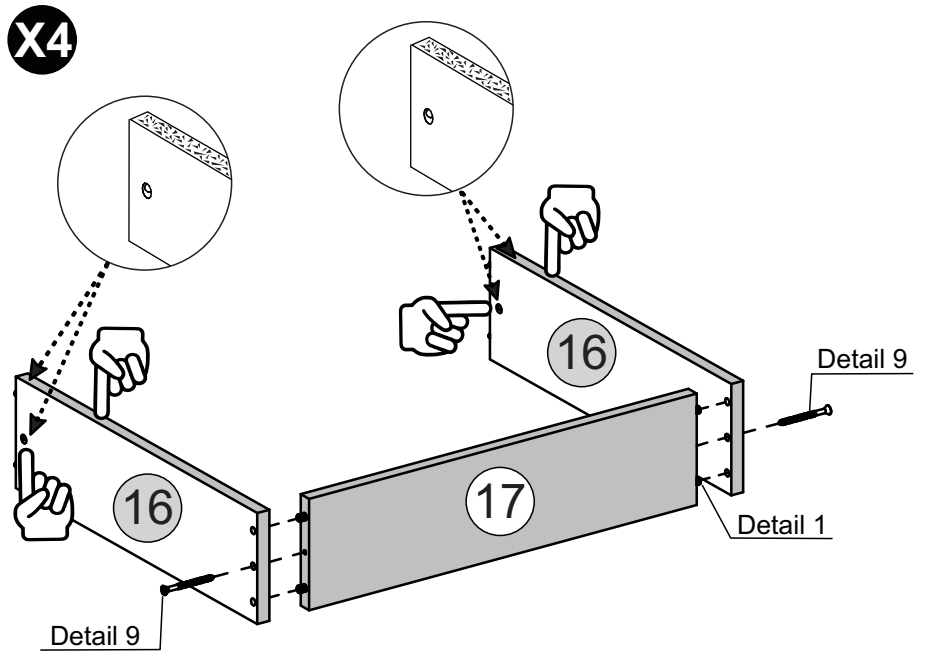
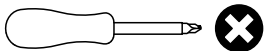
## PARTS REQUIRED

16 - DRAWER SIDE	x8
17 - DRAWER BACK	x4

## HARDWARE REQUIRED

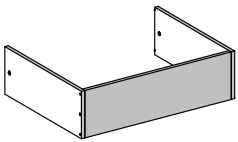
E		Ø4,0 x 50mm	08
P		Glue	01

## TOOLS REQUIRED






# STEP 13

## PARTS REQUIRED

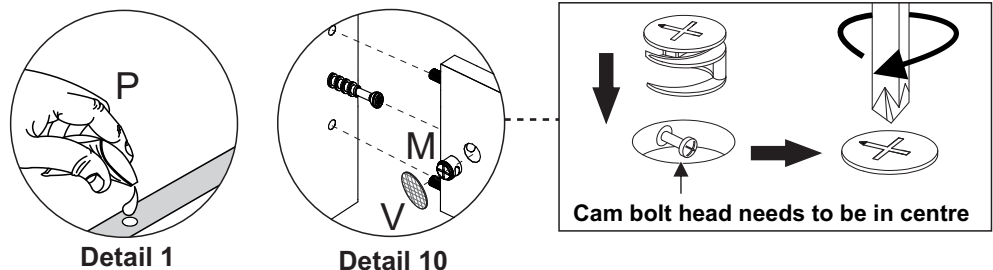
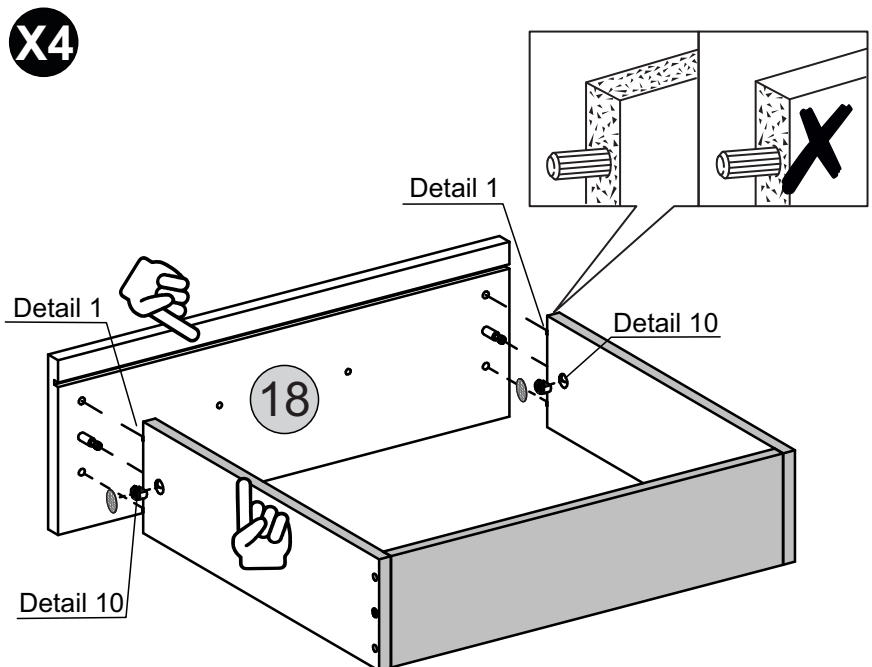
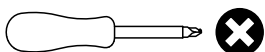


18 - DRAWER FRONT	x4
-------------------	----

## HARDWARE REQUIRED

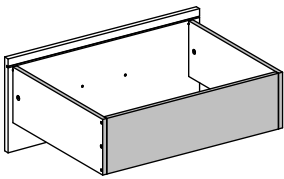
M			08
V			08
P		Glue	01

## TOOLS REQUIRED



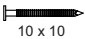
# STEP 14

## PARTS REQUIRED

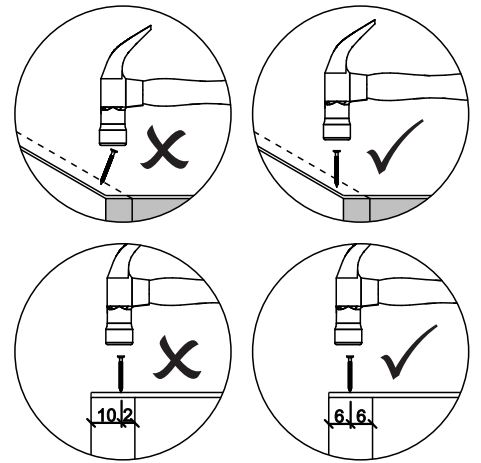
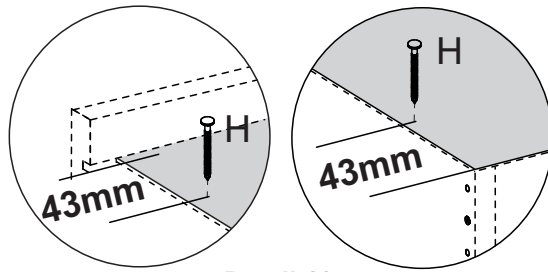
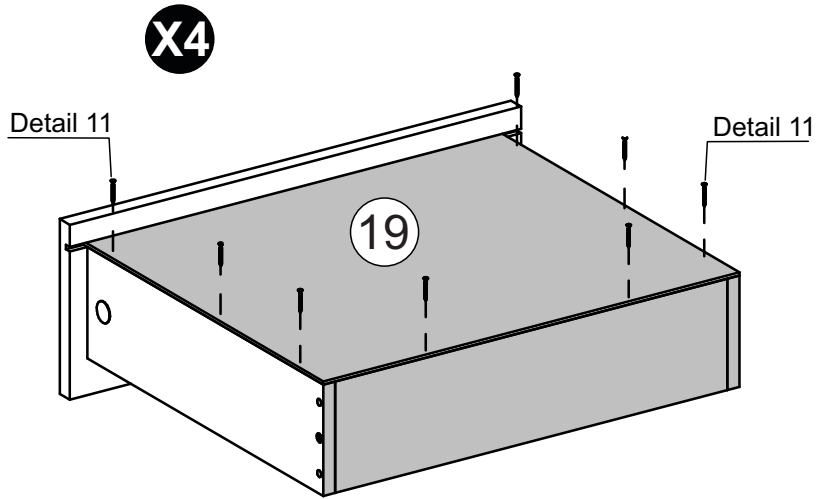
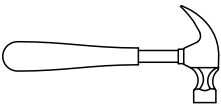


19 - DRAWER BOTTOM x4

## HARDWARE REQUIRED

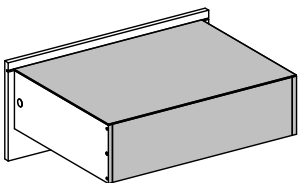
H  32

## TOOLS REQUIRED





# STEP 15

## PARTS REQUIRED



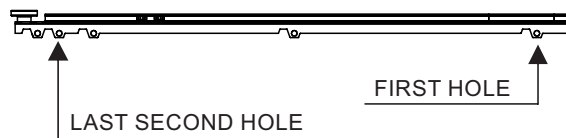
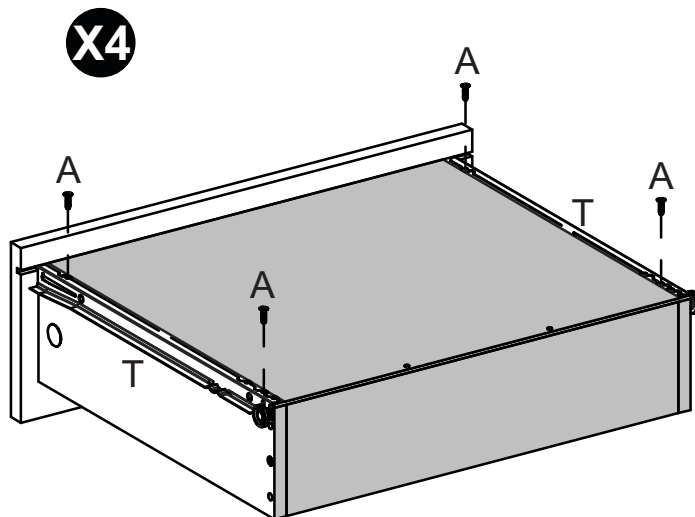
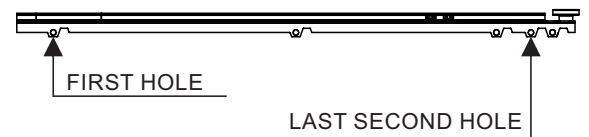
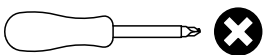
## HARDWARE REQUIRED

A  16

T  04

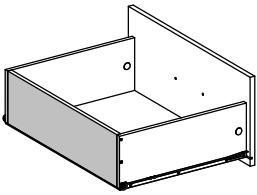
T  04

## TOOLS REQUIRED



# STEP 16

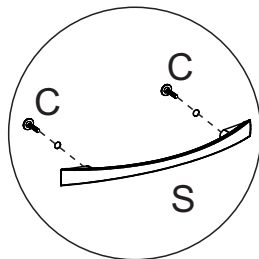
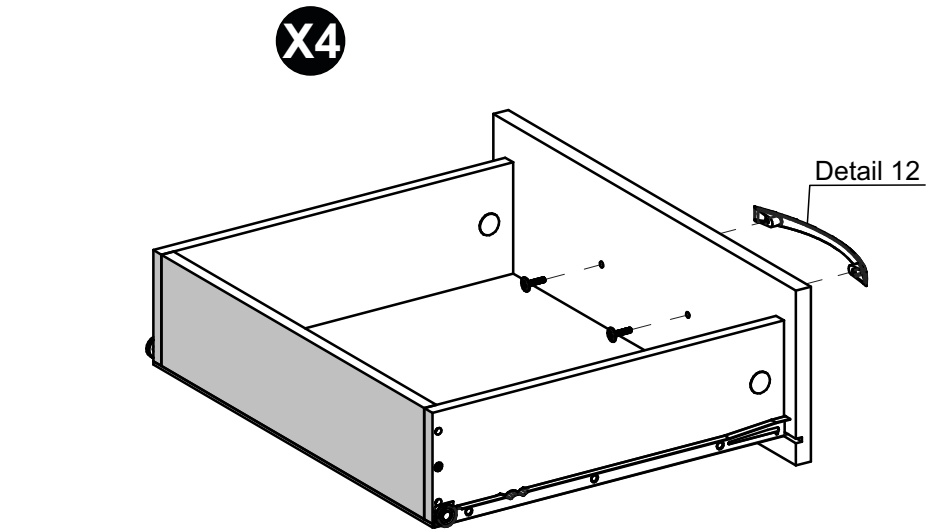
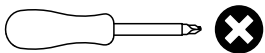
## PARTS REQUIRED



## HARDWARE REQUIRED



## TOOLS REQUIRED



Detail 12

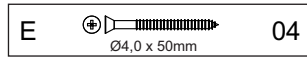
# STEP 17

## PARTS REQUIRED

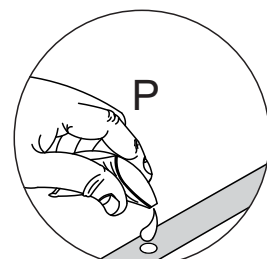
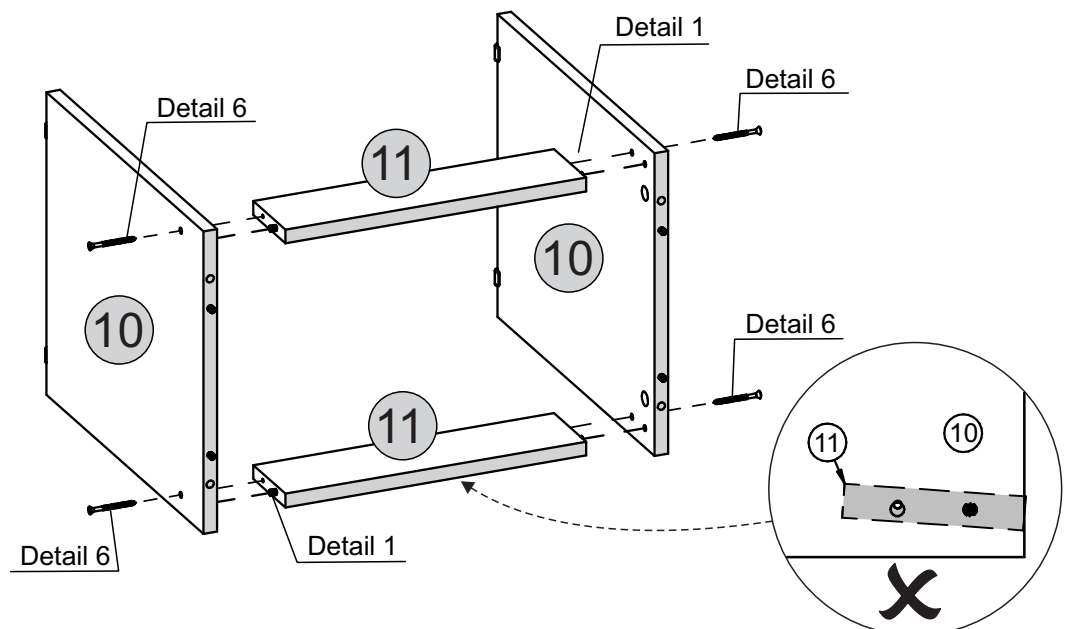
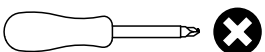
10 - STOOL SIDE PANEL x2

11 - STOOL CROSSPIECE x2

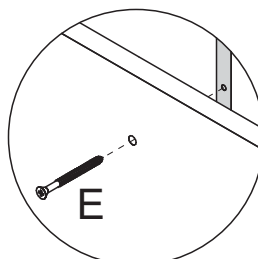
## HARDWARE REQUIRED



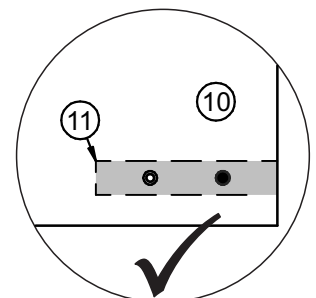
## TOOLS REQUIRED



Detail 1

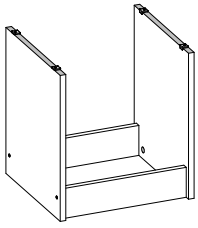


Detail 6



# STEP 18

## PARTS REQUIRED



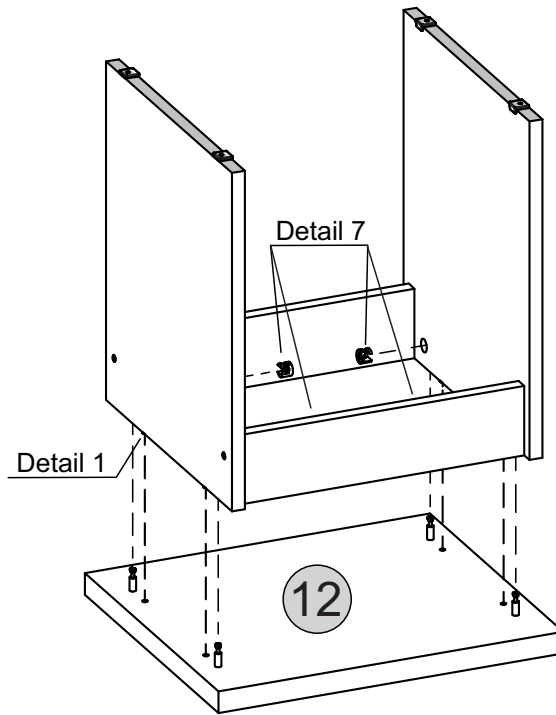
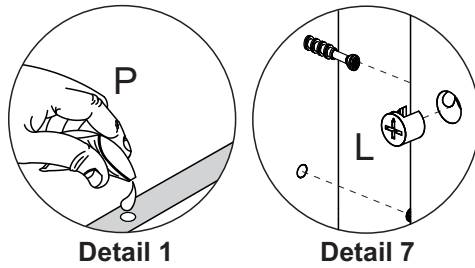
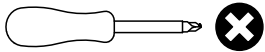
12 - STOOL SEAT x1

## HARDWARE REQUIRED

L 04

P 01

## TOOLS REQUIRED



# STEP 19

## PARTS REQUIRED

13 - MIRROR BASE PANEL x1

14 - MIRROR SIDE PANEL x2

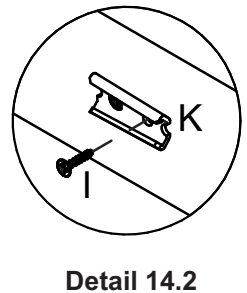
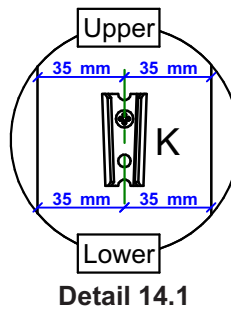
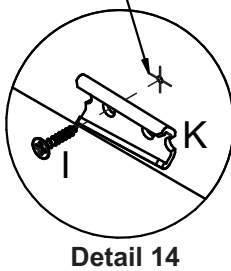
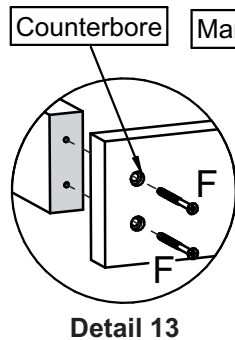
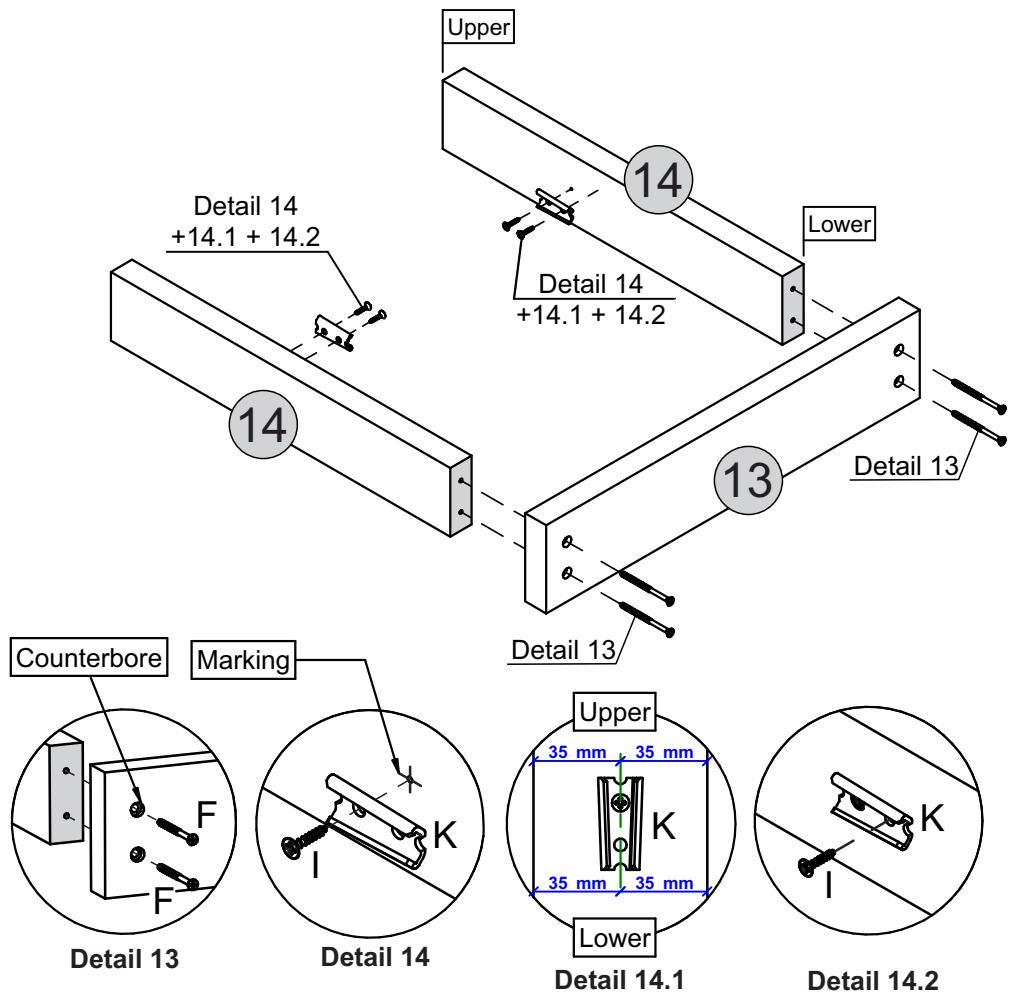
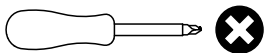
## HARDWARE REQUIRED

F 04  
Ø4,5 x 60mm

I 04  
Ø3,0 x 16mm

K 02

## TOOLS REQUIRED

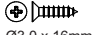



# STEP 20

## PARTS REQUIRED

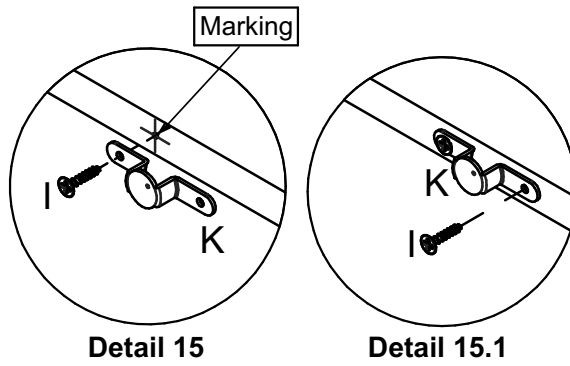
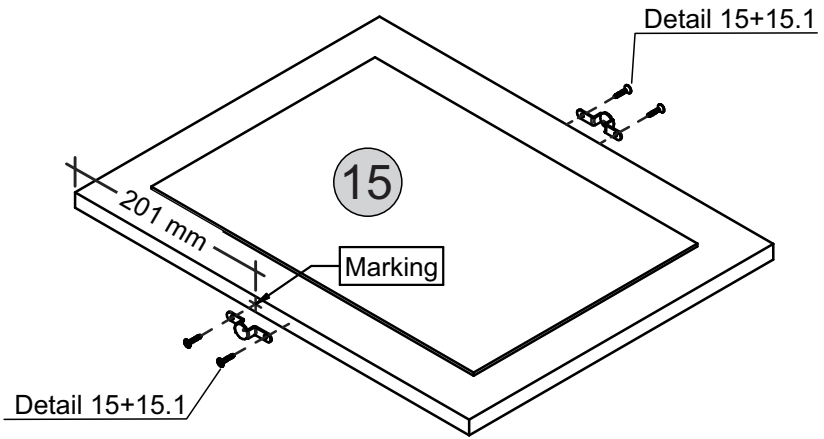
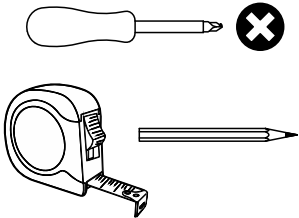
15 - MIRROR PANEL x1

## HARDWARE REQUIRED

I  04  
Ø3,0 x 16mm

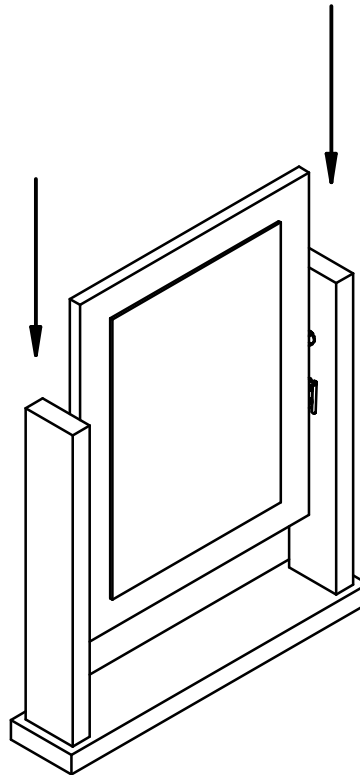
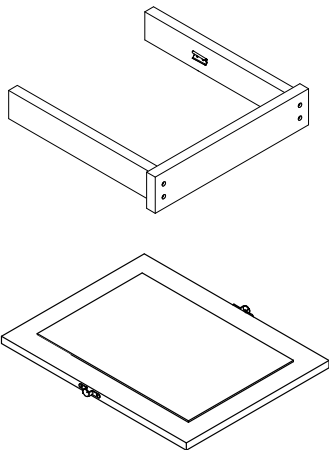
K  02

## TOOLS REQUIRED



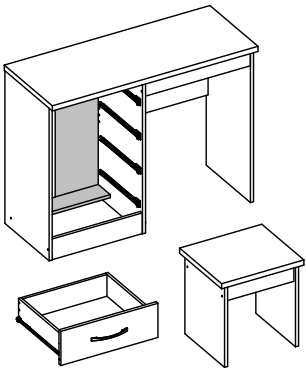
# STEP 21

## PARTS REQUIRED

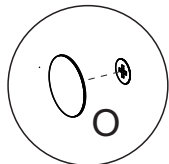
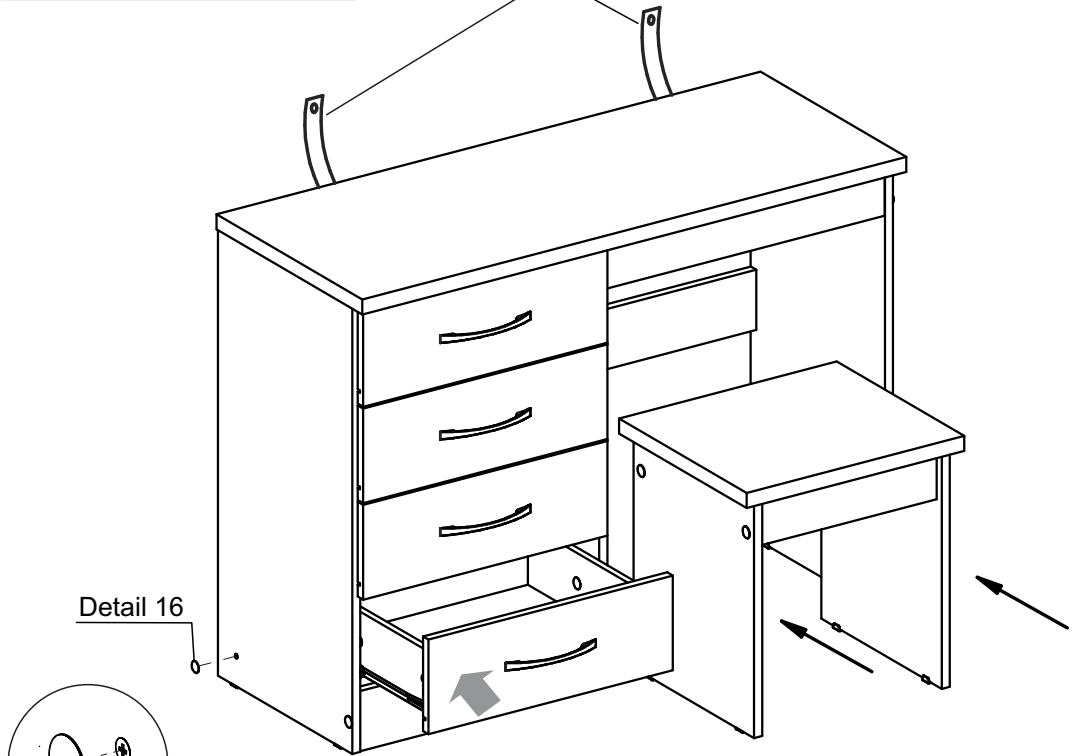
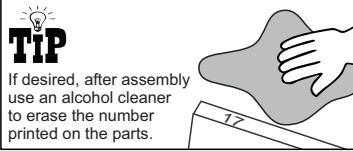


# STEP 22

## PARTS REQUIRED

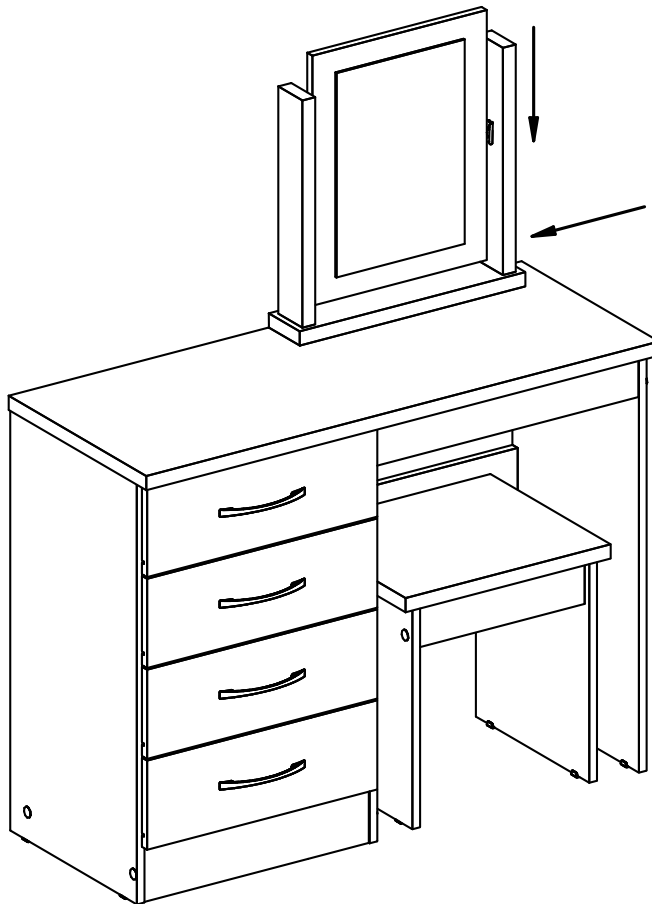
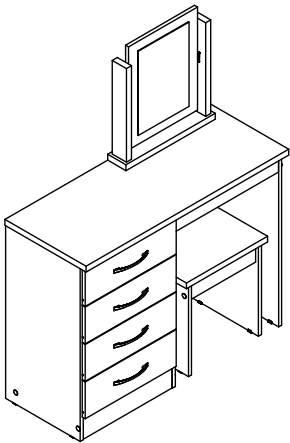


## HARDWARE REQUIRED



**Detail 16**

# STEP 23



## WARNING

**Serious or fatal injuries can occur from furniture tipping over. To prevent the furniture from tipping over we recommend that it is permanently fixed to the wall.**

Wall fixings are not supplied with this product as different wall materials require different types of fixing devices.

Please make sure you use fixings suitable for the walls in your home.

