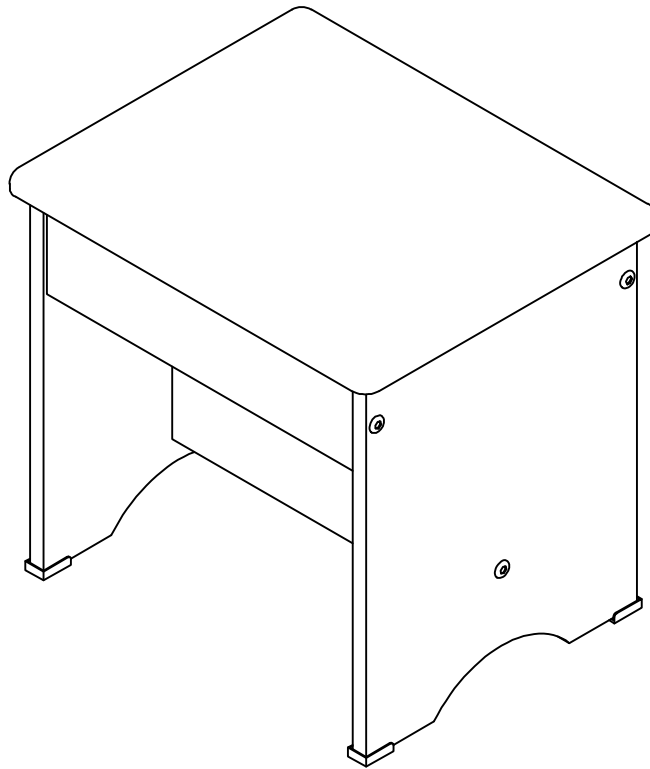


## CHARLES 1 DRAWER DRESSING TABLE STOOL ASSEMBLY INSTRUCTIONS



**FOR DOMESTIC USE ONLY**

### **IMPORTANT**

#### **PLEASE READ BEFORE YOU CONTINUE FURTHER**

THE PRODUCT YOU HAVE PURCHASED WILL GIVE YOU MANY YEARS OF SERVICE IF YOU FOLLOW THE GUIDELINES FOR ITS SAFE ASSEMBLY AND PERIODIC MAINTENANCE AND CLEANING.

ASSEMBLE ON A SOFT CLEAN SURFACE.

DO NOT USE ANY TOOLS OTHER THAN THOSE SHOWN.

ANY SPANNERS OR ALLEN KEYS REQUIRED ARE INCLUDED WITH THE FITTINGS KIT.

DO NOT FOR ANY REASON USE A POWER TOOL TO ASSEMBLE THIS PRODUCT. ITS USE WILL INVALIDATE ANY CLAIM YOU MAY HAVE AND COULD MAKE THIS PRODUCT UNSAFE.

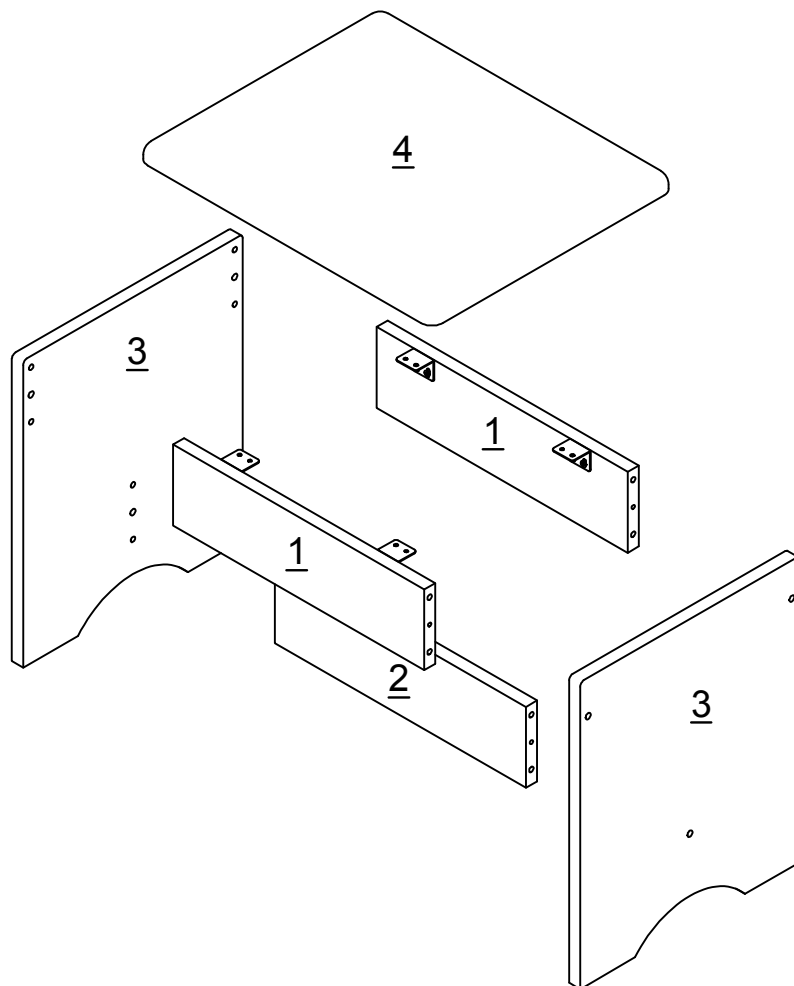
DEPENDING ON THE AMOUNT OF USE THIS PRODUCT RECEIVES IT MAY BE NECESSARY TO TIGHTEN UP THE FIXINGS FROM TIME TO TIME. THIS IS COMPLETELY NORMAL FOR ANY FLAT PACK FURNITURE. DO NOT OVERTIGHTEN FIXING.

FOR CLEANING, YOU MAY USE A DAMP CLOTH (NOT WET) DO NOT USE POLISH, DETERGENT OR CHEMICAL CLEANERS.

THE SURFACE OF THIS ITEM IS NOT HEAT RESISTANT. ALWAYS USE A PLACE MAT UNDER HOT OR COLD ITEMS TO PREVENT MARKING.

## PARTS LIST


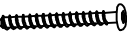
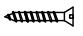


PLEASE CHECK THAT YOU HAVE ALL THE PARTS LISTED BEFORE YOU START ASSEMBLING. IF YOU DO FIND THAT SOMETHING IS MISSING, DO NOT CONTINUE ASSEMBLY. PLEASE CONTACT YOUR SUPPLIER IMMEDIATELY.



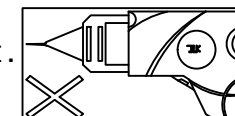
## PARTS LIST

1	TOP CROSSBARS	2 PCS
2	CENTRE CROSSBAR	1 PC
3	SIDE PANEL	2 PCS
4	SEAT CUSHION	1 PC

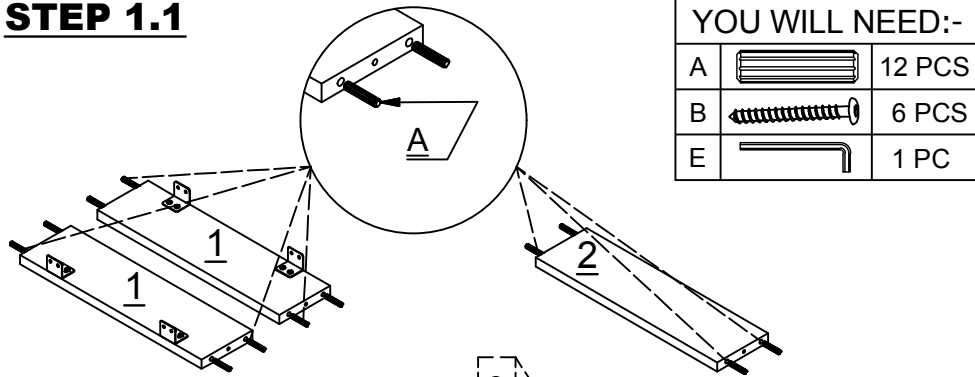
## HARDWARE LIST




A		DOWEL 6 X 30MM	12 PCS
B		BOLT 6 X 50MM	6 PCS
C		SCREW M3.5 X 16MM	12 PCS
D		EDGE PROTECTOR	4 PCS
E		ALLEN KEY	1 PC

**! CAUTION :** THE USE OF POWER TOOLS TO ASSEMBLE THIS PRODUCT WILL INVALIDATE ANY CLAIM AND MAY DAMAGE THIS PRODUCT MAKING IT UNSAFE.

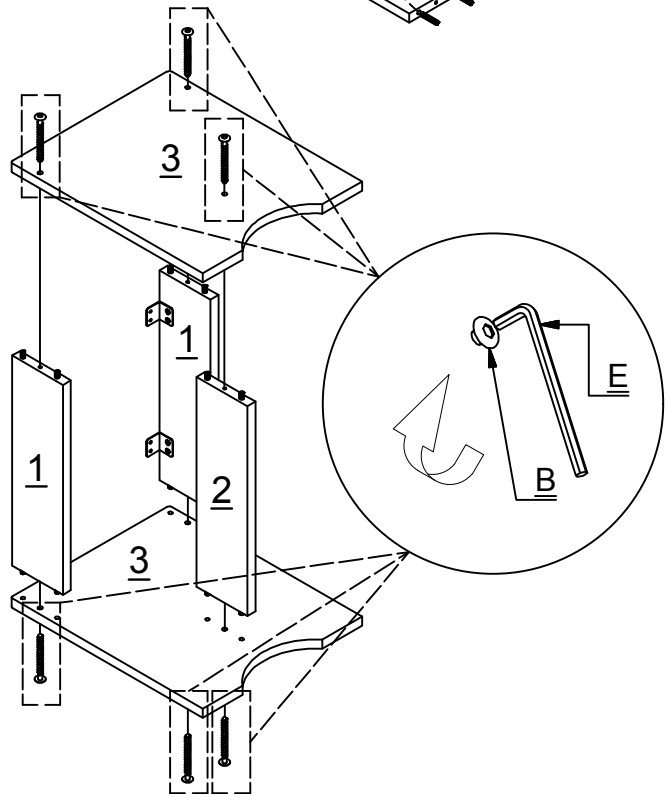


**STEP 1.1**

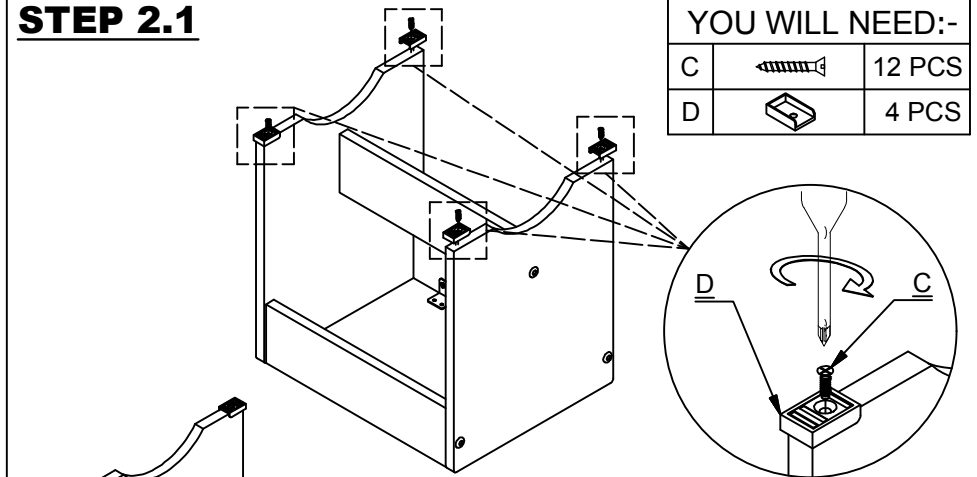




YOU WILL NEED:-		
A		12 PCS
B		6 PCS
E		1 PC

**STEP 1.2**

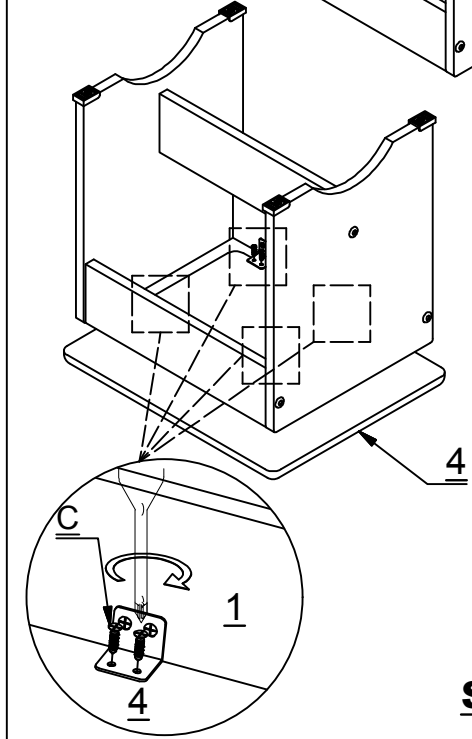


**STEP 2.1**

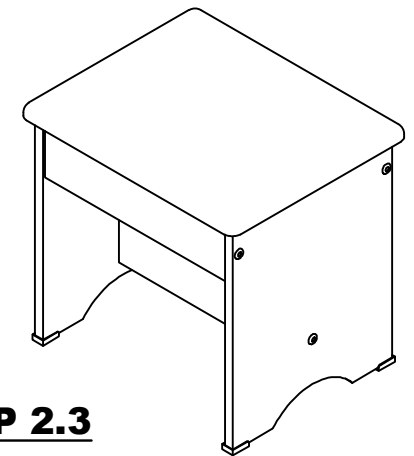


YOU WILL NEED:-		
C		12 PCS
D		4 PCS

**STEP 2.2**



**STEP 2.3**



**CAUTION:** THE USE OF POWER TOOLS TO ASSEMBLE THIS PRODUCT WILL INVALIDATE ANY CLAIM AND MAY DAMAGE THIS PRODUCT MAKING IT UNSAFE.

