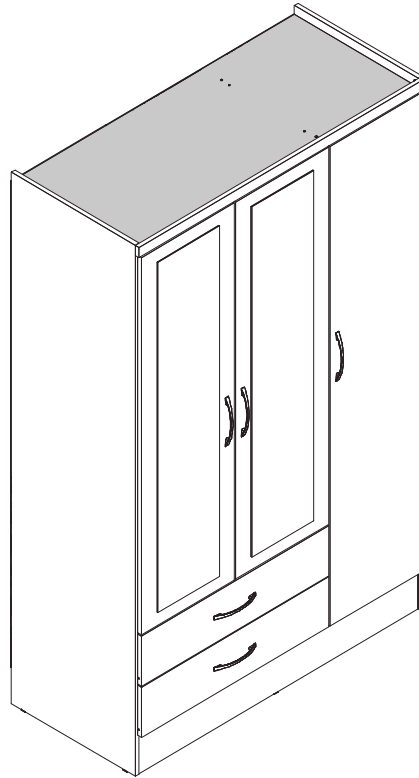


# NEVADA 3 DOOR 2 DRAWER WARDROBE ASSEMBLY INSTRUCTIONS

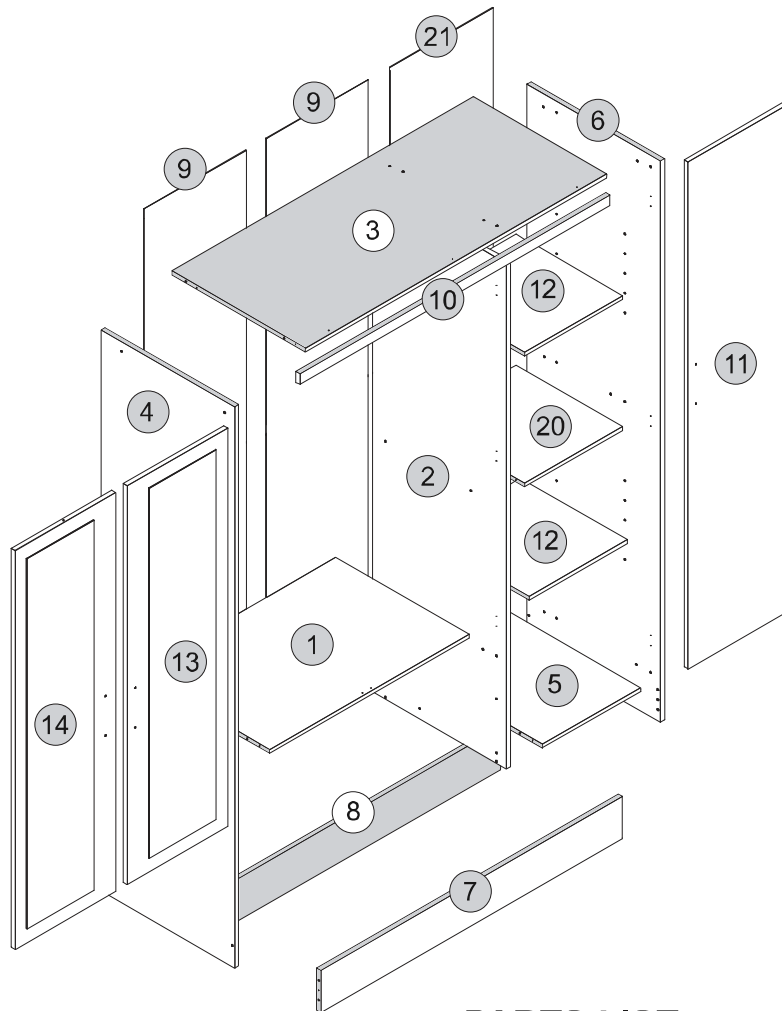
## BLACK GLOSS



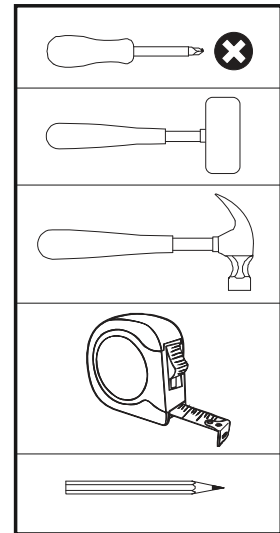
### **IMPORTANT FOR DOMESTIC USE ONLY PLEASE READ BEFORE YOU CONTINUE FURTHER CARE AND MAINTENANCE**

After unpacking this product please keep the original packaging in case it needs to be returned for any reason.

- Please ensure all fittings and parts are present before commencing with assembly.
- Never drag or push products as this could cause damage to the joints making it inferior.
- We strongly recommend that you keep children away from your work area.
- We recommend that you lay a blanket or sheet on the floor to avoid damage to both your floor and the product.
- Assemble this product as close to its final position as possible.
- Do not place this product next to a radiator or in direct sunlight.
- Do not drag or push items across your high gloss furniture as this may cause the surface to scratch
- Wood is a natural product and may expand if subjected to damp and may shrink or crack if subjected to heat. Therefore it is recommended that room temperature is maintained, with no sudden temperature fluctuations.
- Make sure any spillage is wiped off immediately.
- Do not place hot or chilled items directly on to the surface, use a place mat or marking will occur.
- For general cleaning use a soft cotton or micro fibre cloth, and do not use detergents of any kind.
- From time to time it may be necessary to tighten fittings, regular inspections should be carried out.
- Do not place on a wet or damp floor as staining may occur to your floor.



## TOOLS REQUIRED



## PARTS LIST

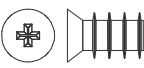
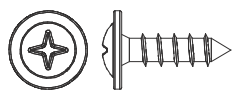
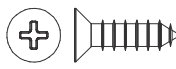
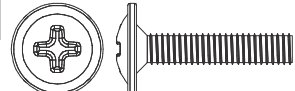



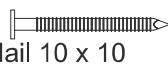
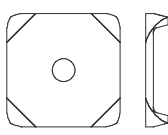
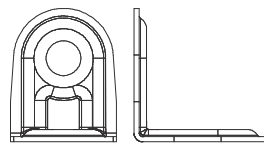
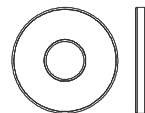
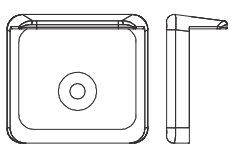
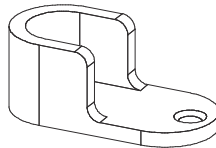
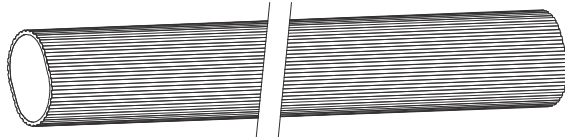
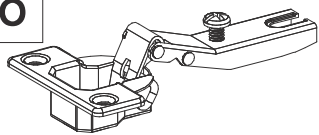
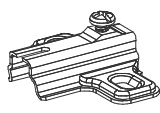
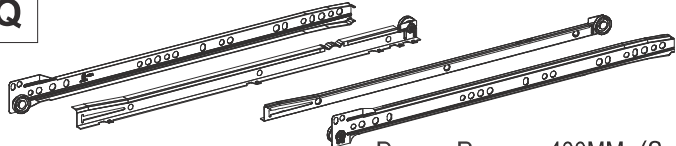
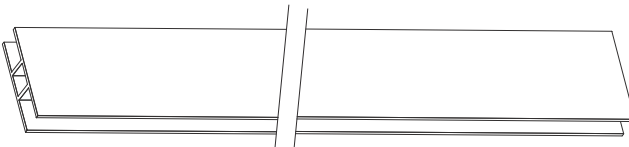




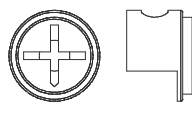
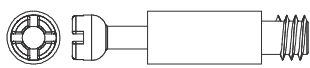
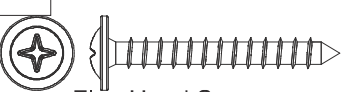
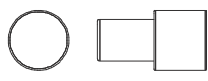
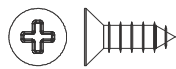
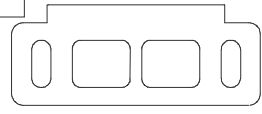
***Please Note:***

The below parts have all been stamped with the part number to help identify them during assembly.

| Part Number | Part Description   | Quantity | Carton |
|-------------|--------------------|----------|--------|
| 01          | Large Base Panel   | 1        | 2/3    |
| 02          | Division Panel     | 1        | 1/3    |
| 03          | Top Panel          | 1        | 2/3    |
| 04          | Left Side Panel    | 1        | 1/3    |
| 05          | Small Base Panel   | 1        | 2/3    |
| 06          | Right Side Panel   | 1        | 1/3    |
| 07          | Front Baseboard    | 1        | 2/3    |
| 08          | Back Baseboard     | 1        | 2/3    |
| 09          | Small Back Panel   | 2        | 3/3    |
| 10          | Frame              | 1        | 1/3    |
| 11          | Large Door         | 1        | 3/3    |
| 12          | Movable Shelf      | 2        | 2/3    |
| 13          | Right Small Door   | 1        | 3/3    |
| 14          | Left Small Door    | 1        | 3/3    |
| 15          | Drawer Side        | 4        | 2/3    |
| 16          | Drawer Back Panel  | 2        | 2/3    |
| 17          | Drawer Front       | 2        | 2/3    |
| 18          | Drawer Botom       | 2        | 1/3    |
| 19          | Drawer Support Bar | 2        | 2/3    |
| 20          | Shelf              | 1        | 2/3    |
| 21          | Large Back Panel   | 1        | 3/3    |


# FITTINGS LIST

SEC/SH/09/21/HV1

|   |  |   |   |
|---|--|---|---|
| <p><b>A</b></p>  <p>Flat Head Screw<br/>Ø6,0 x 10mm (8x)</p> <p>1/+</p>          | <p><b>B</b></p>  <p>Flan Head Screw<br/>Ø4,0 x 14mm (9x)</p> <p>1/+</p>   | <p><b>C</b></p>  <p>Flat Head Screw<br/>Ø4,0 x 14mm (52x)</p> <p>2/+</p>    | <p><b>D</b></p>  <p>Flan Head Screw<br/>Ø4,0 x 20mm (10x)</p> <p>2/+</p> |
| <p><b>E</b></p>  <p>Flat Head Screw<br/>Ø3,5 x 40mm (4x)</p> <p>1/+</p>          | <p><b>F</b></p>  <p>Flat Head Screw<br/>Ø4,0 x 50mm (26x)</p> <p>2/+</p> | <p><b>G</b></p>  <p>2/+ Dowel Ø6,0 x 30mm (46x)</p>                        |   |
| <p><b>H</b></p>  <p>Nail 10 x 10</p> <p>2/+ Nail 10x10 Ringed-1,5x23mm (88x)</p> | <p><b>I</b></p>  <p>2/+ Back Panel Bracket 14x14mm (16x)</p>              | <p><b>J</b></p>  <p>1/+ 'L' Metallic Support 18x18MM (7x)</p>               | <p><b>K</b></p>  <p>1/+ Washer Ø16x7 (4x)</p>                            |
| <p><b>L</b></p>  <p>1/+ Plastic Foot L 19x17x8mm Ø2 (6x)</p>                     | <p><b>M</b></p>  <p>Hanging Rail Support Plastic (2X)</p>                 | <p><b>N</b></p>  <p>Hanging Rail 737x30X16X0,60MM (1x)</p>                  |   |
| <p><b>O</b></p>  <p>Hinge 26MM High Lap (9x)</p>                                 | <p><b>P</b></p>  <p>Hinge Plate 26MM D5 (9x)</p>                         | <p><b>Q</b></p>  <p>Drawer Runners 400MM (2x)</p>                          |   |
| <p><b>R</b></p>  <p>Back Panel Stri H 1633x19x3,8MM (1x)</p>                   |  | <p><b>S</b></p>  <p>Strap 200x20x1MM (2x)</p>                             | <p><b>T</b></p>  <p>Handle (5x)</p>                                    |
| <p><b>U</b></p>  <p>2/+ Hole Plugs 19MM (26x)</p>                              | <p><b>V</b></p>  <p>Glue 10Gr (2x)</p>                                  | <p><b>W</b></p>  <p>1/+ Cam Nut Ø12x8,8MM (4x)</p>                        | <p><b>X</b></p>  <p>1/+ Cam Bolt (4x)</p>                              |
| <p><b>Y</b></p>  <p>Flan Head Screw<br/>Ø3,5 x 30mm (2x)</p> <p>1/+</p>         | <p><b>Z</b></p>  <p>1/+ Support Pin 7x6mm (8x)</p>                      | <p><b>A1</b></p>  <p>Flat Head Screw<br/>Ø4,0 x 12mm (18x)</p> <p>2/+</p> | <p><b>B1</b></p>  <p>Door Support L42xP27xA28MM (2x)</p>               |


## TIPS FOR FITTINGS CAM-LOCKS

WHEN FITTING CAM NUT. ENSURE STARTING POSITION IS CORRECT BEFORE YOU INSERT CONNECTING CAM BOLT TURN CLOCKWISE UNTIL SECURE

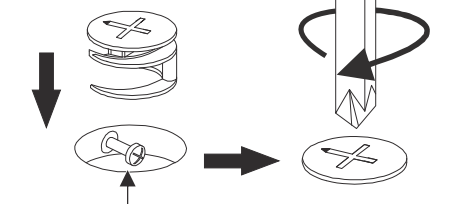


↑

CORRECT




WRONG



**Cam bolt head needs to be in centre**

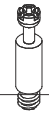
**C1**



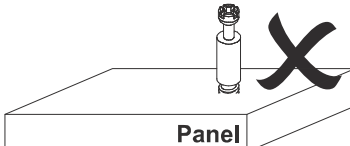
+2 Hole Plugs Líneo 19mm (4x)

### CAMBOLT

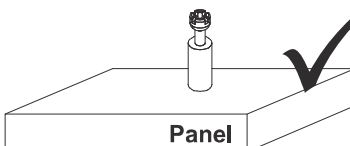
Tighten until shoulder is flush with panel. Do not overtighten or undertighten (see example beside)



Shoulder



Panel




Panel

# STEP 1

## PARTS REQUIRED

2 - DIVISION PANEL x1

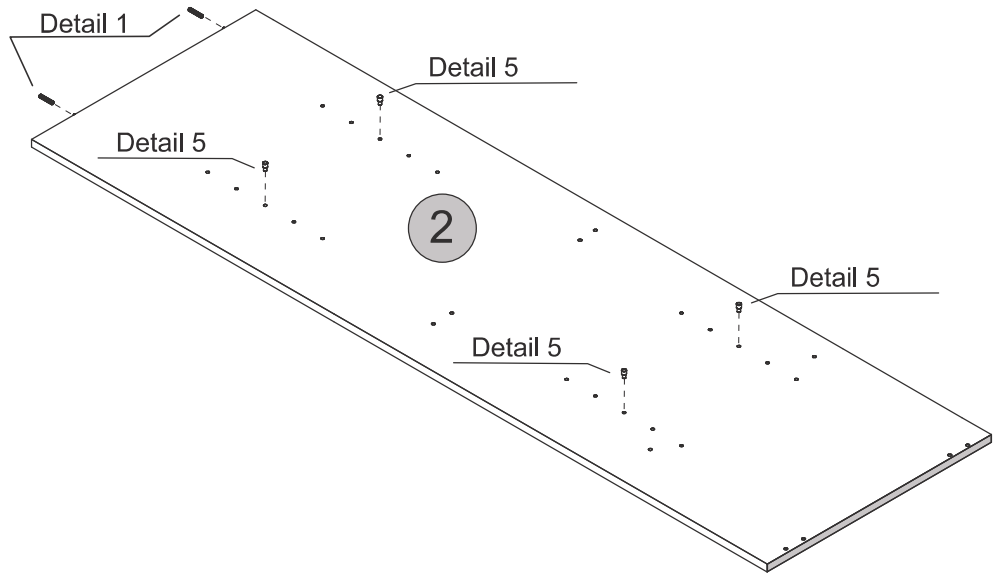
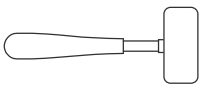
## HARDWARE REQUIRED

G  02  
Ø6,0 x 30mm

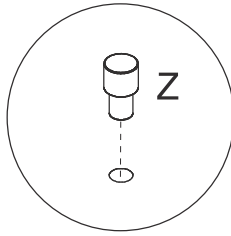
V  01  
Glue

Z  04

## TOOLS REQUIRED



Detail 1




Detail 5

# STEP 2

## PARTS REQUIRED

2 - DIVISION PANEL x1

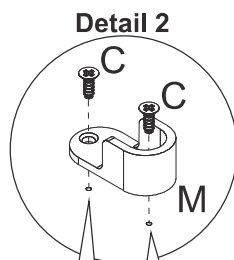
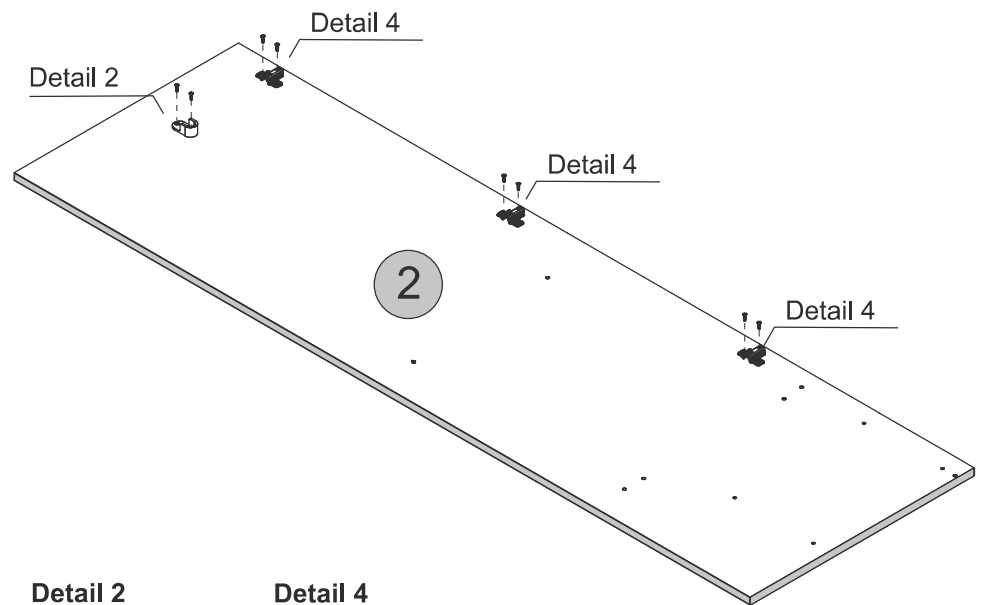
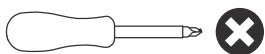
## HARDWARE REQUIRED

C  08  
Ø4,0 x 14mm

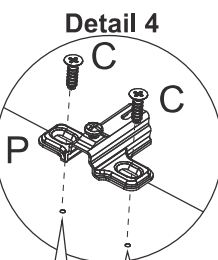
M  01

P  03

## TOOLS REQUIRED



Please note:  
Pre-marked  
Holes



Please note:  
Pre-marked  
Holes

# STEP 3

## PARTS REQUIRED

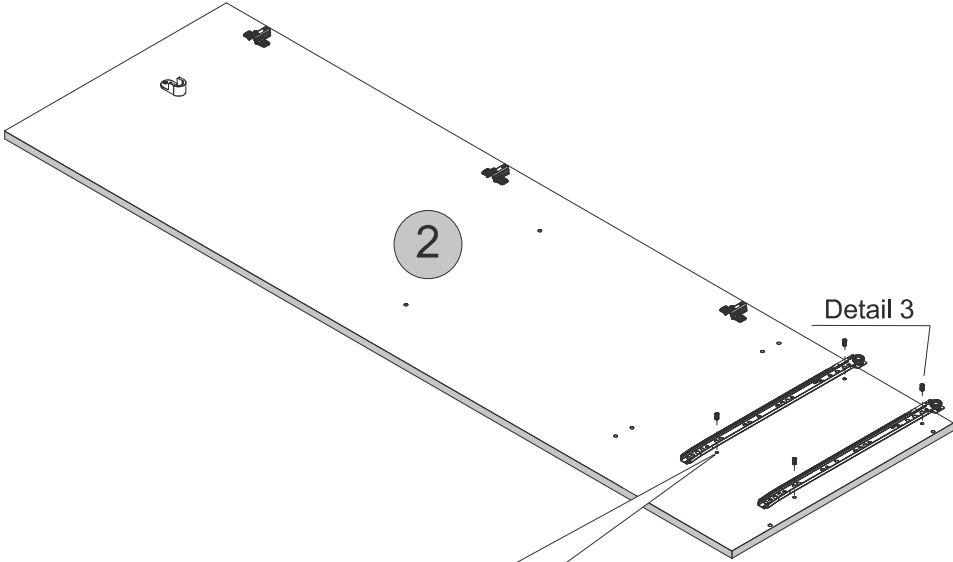
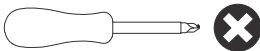
2 - DIVISION PANEL x1

## HARDWARE REQUIRED

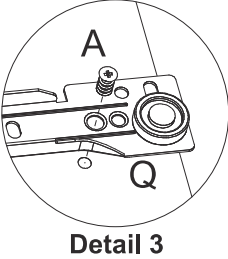
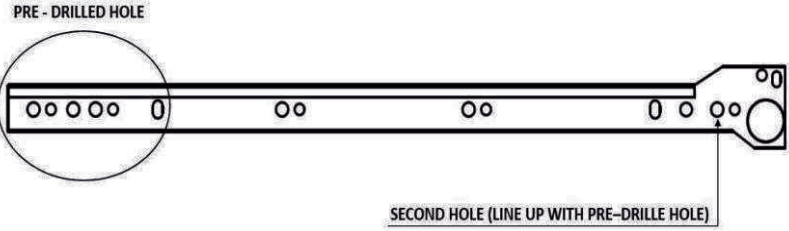
A  04  
Ø6.0 x 10mm

Q  02  
Right

## TOOLS REQUIRED



PLEASE NOTE  
PRE-DRILLED  
HOLES.




# STEP 4

## PARTS REQUIRED

4 - LEFT SIDE PANEL x1

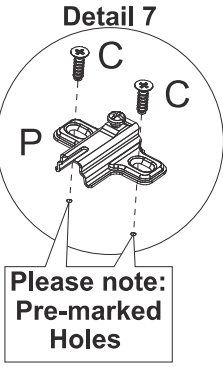
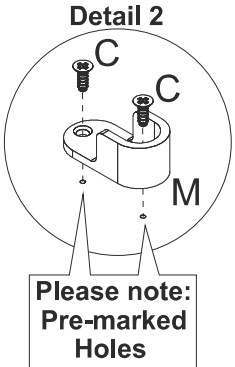
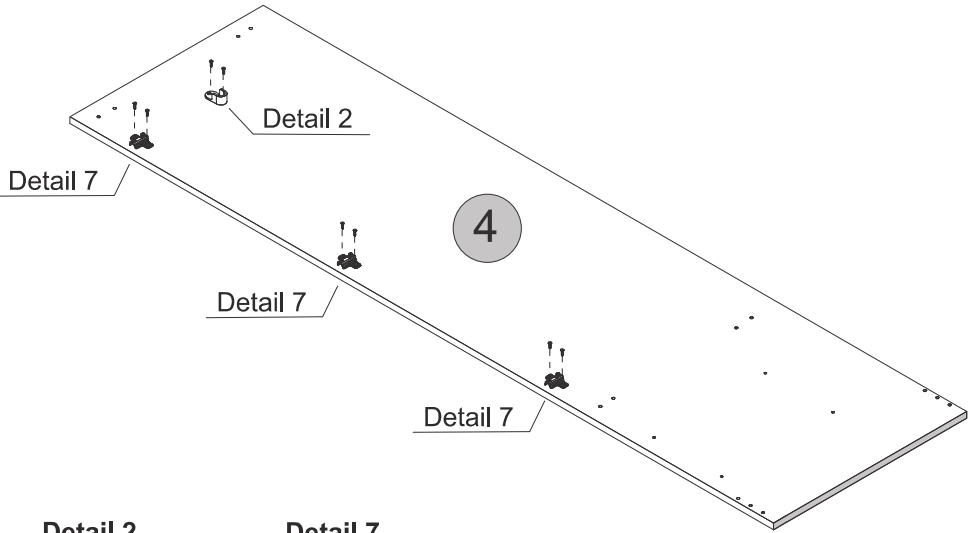
## HARDWARE REQUIRED

C  08  
Ø4.0 x 14mm

M  01

P  03

## TOOLS REQUIRED



# STEP 5

### PARTS REQUIRED


4 - LEFT SIDE PANEL x1

### HARDWARE REQUIRED

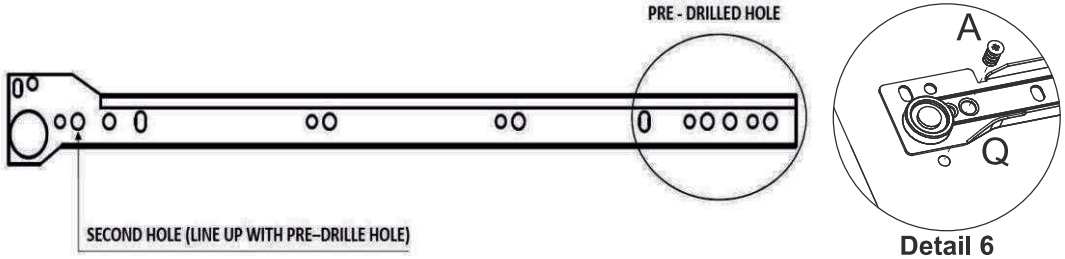
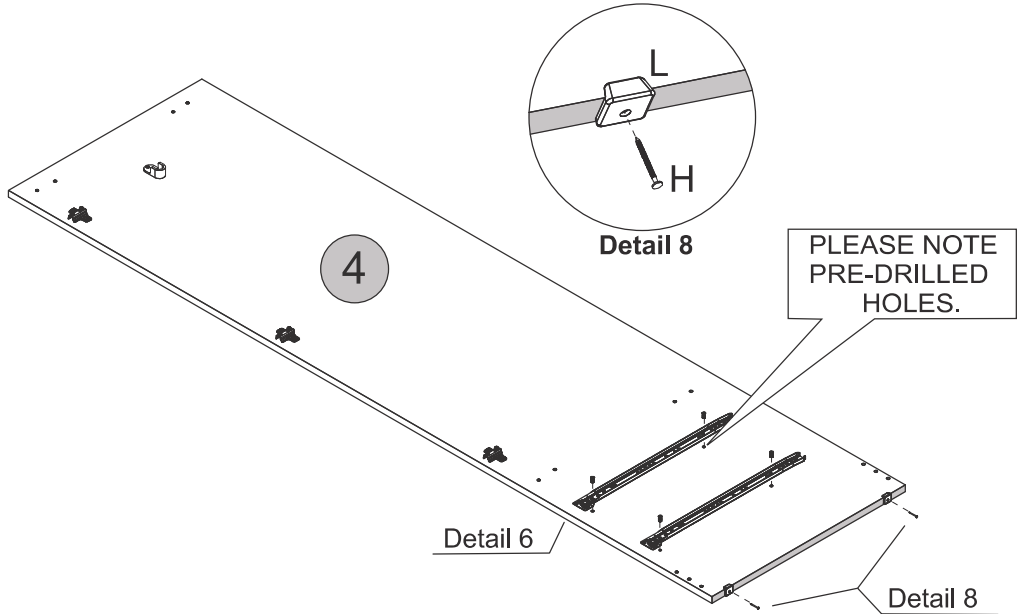
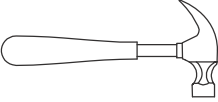
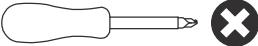
A  04  
Ø6,0 x 10mm

H  02

L  02

Q  02

### TOOLS REQUIRED

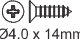


# STEP 6

### PARTS REQUIRED

6 - RIGHT SIDE PANEL x1

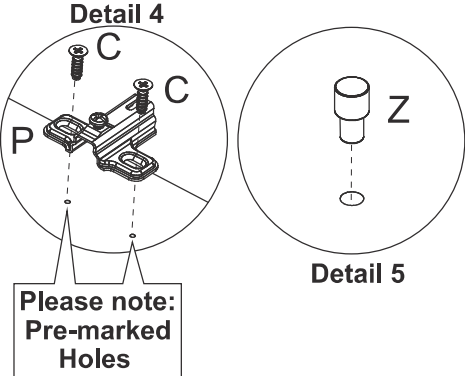
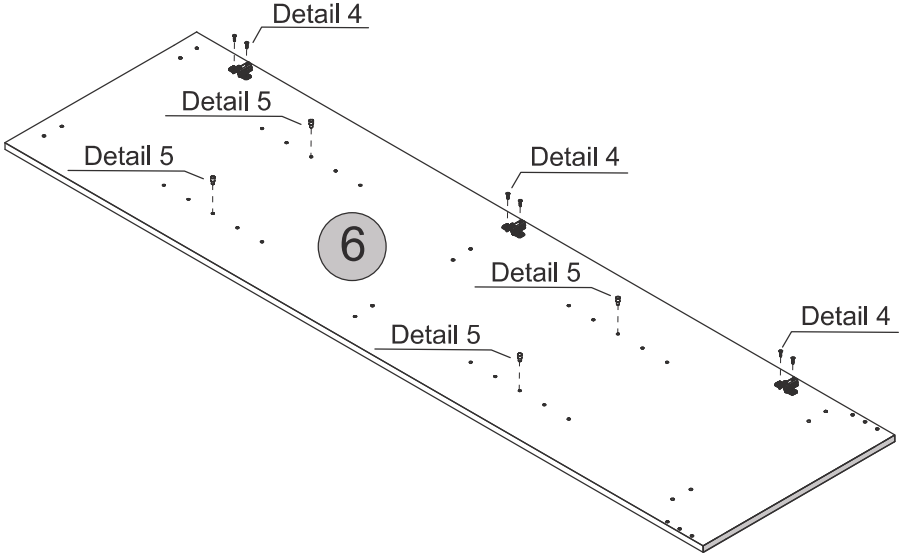
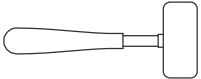
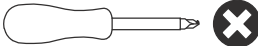
### HARDWARE REQUIRED

C  06  
Ø4,0 x 14mm

P  03

Z  04

### TOOLS REQUIRED




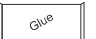


# STEP 7

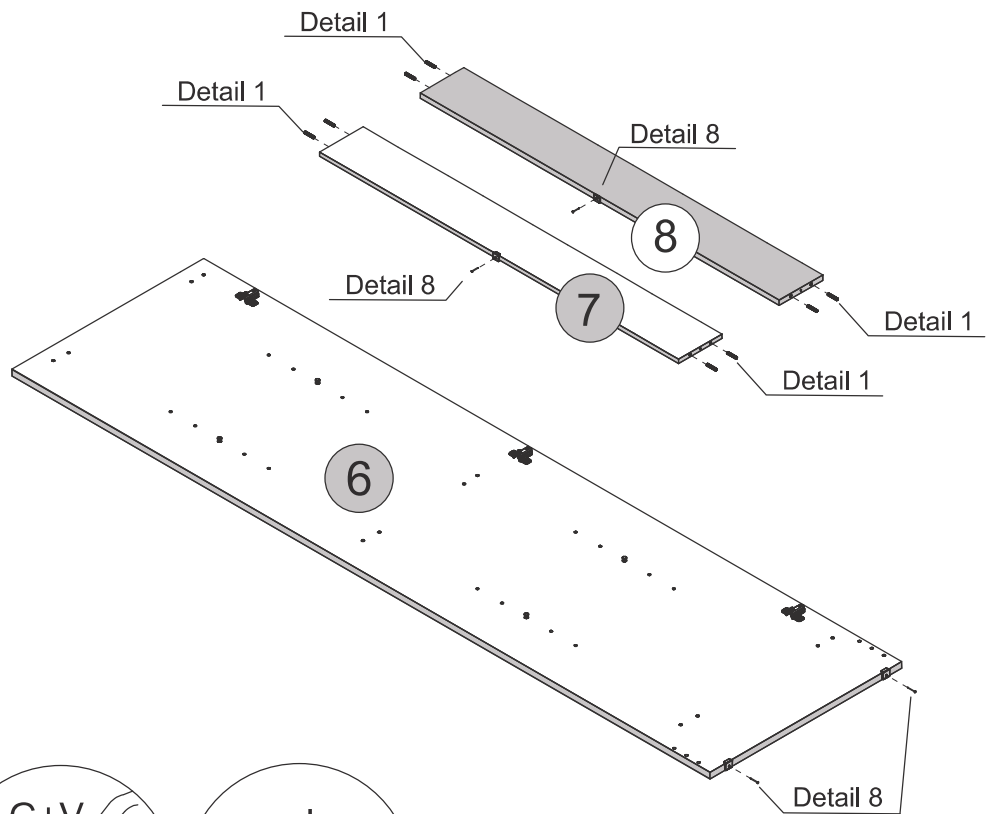
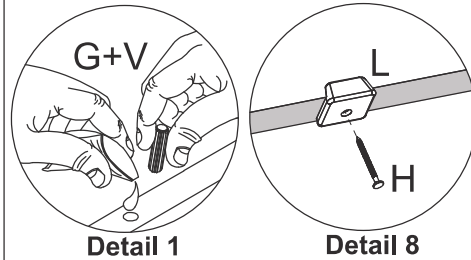
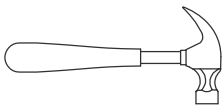
## PARTS REQUIRED

- 6 - RIGHT SIDE PANEL x1
- 7 - FRONT BASEBOARD x1
- 8 - BACK BASEBOARD x1

## HARDWARE REQUIRED

- G  08  
Ø6,0 x 30mm
- H  04
- L  04
- V  01

## TOOLS REQUIRED





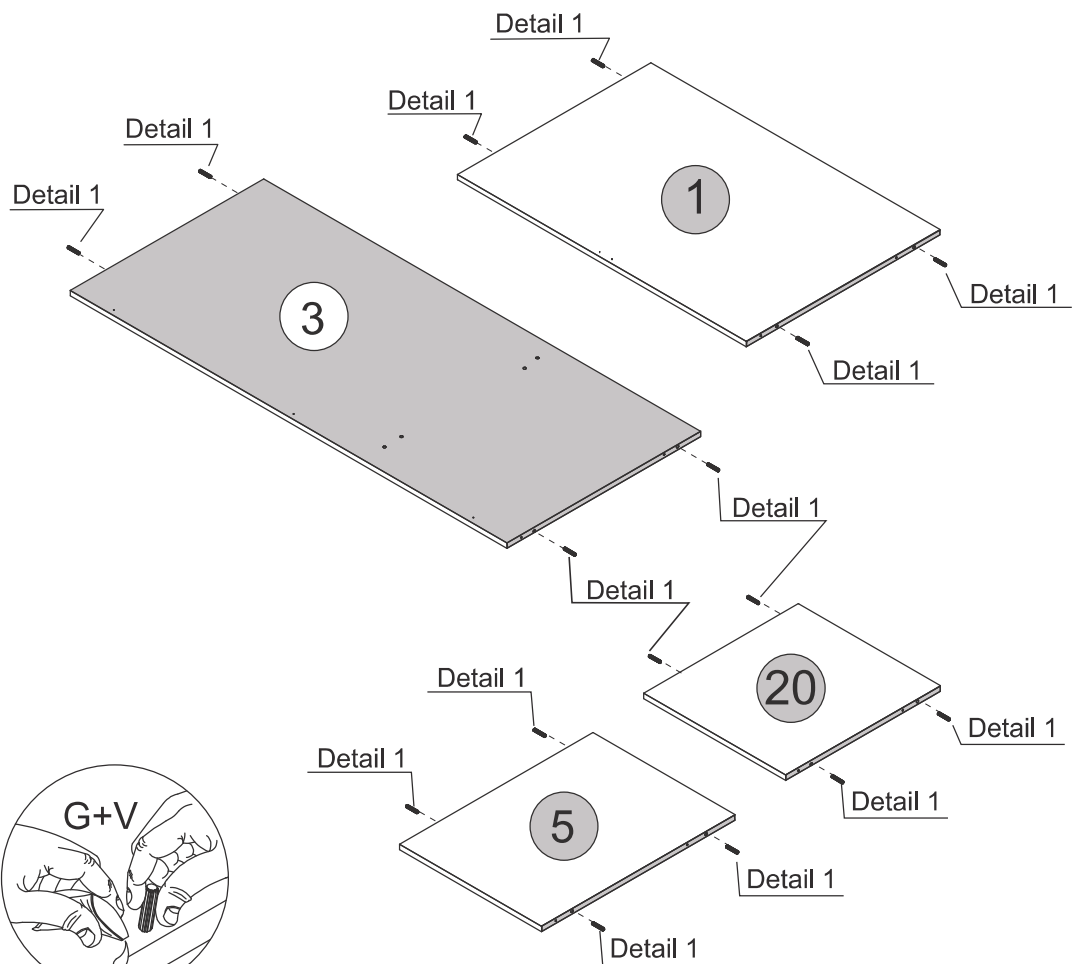
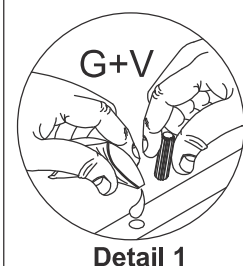
# STEP 8

## PARTS REQUIRED

- 1 - LARGE BASE PANEL x1
- 3 - TOP PANEL x1
- 5 - SMALL BASE PANEL x1
- 20 - SHELF x1

## HARDWARE REQUIRED

- G  16  
Ø6,0 x 30mm
- V  01



# STEP 9

## PARTS REQUIRED


1 - LARGE BASE PANEL x1

3 - TOP PANEL x1

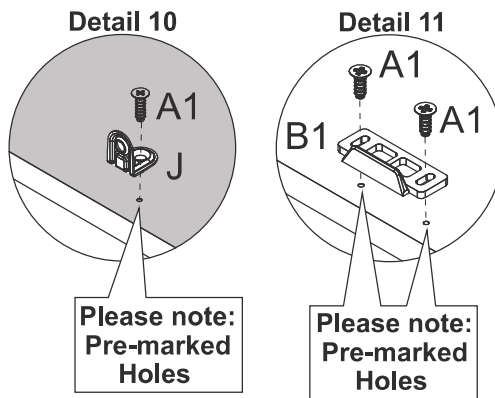
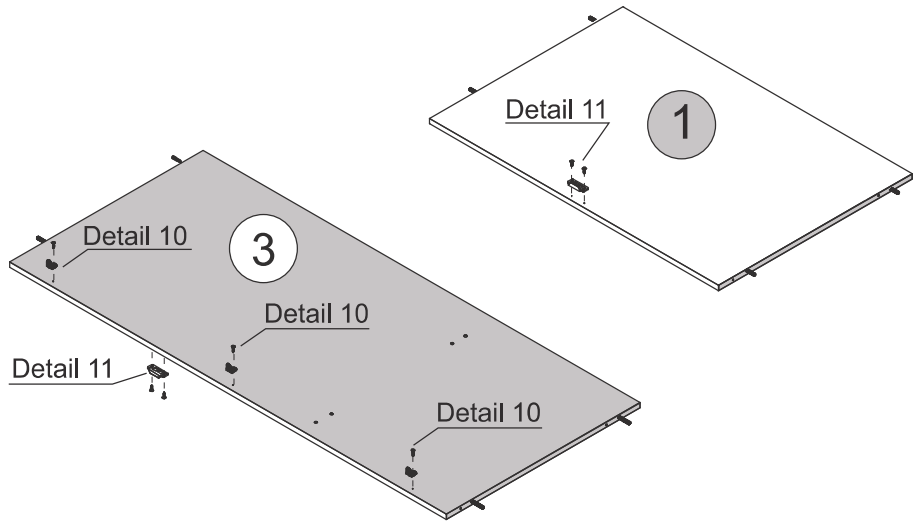
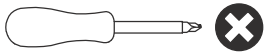
## HARDWARE REQUIRED

A1  07  
Ø4,0 x 12mm

B1  02

J  03

## TOOLS REQUIRED



# STEP 10

## PARTS REQUIRED


1 - LARGE BASE PANEL x1

2 - DIVISION PANEL x1

3 - TOP PANEL x1

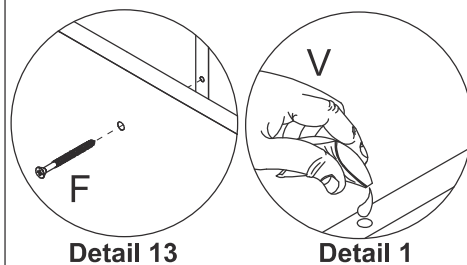
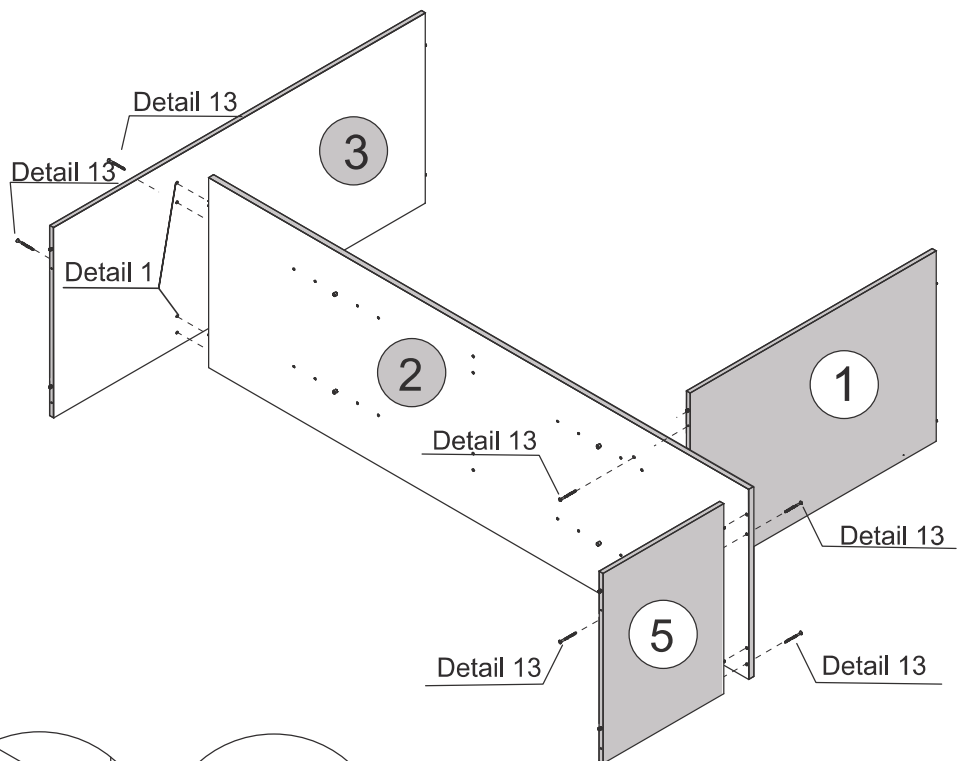
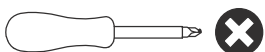
5 - SMALL BASE PANEL x1

## HARDWARE REQUIRED

F  06  
Ø4,0 x 50mm

V  01

## TOOLS REQUIRED

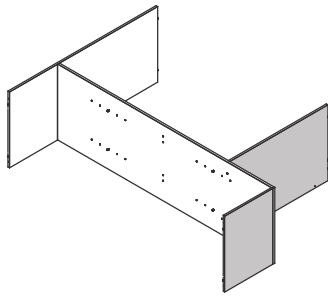





# STEP 11

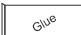
## PARTS REQUIRED

4 - LEFT SIDE PANEL x1

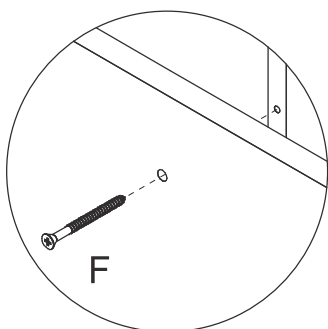
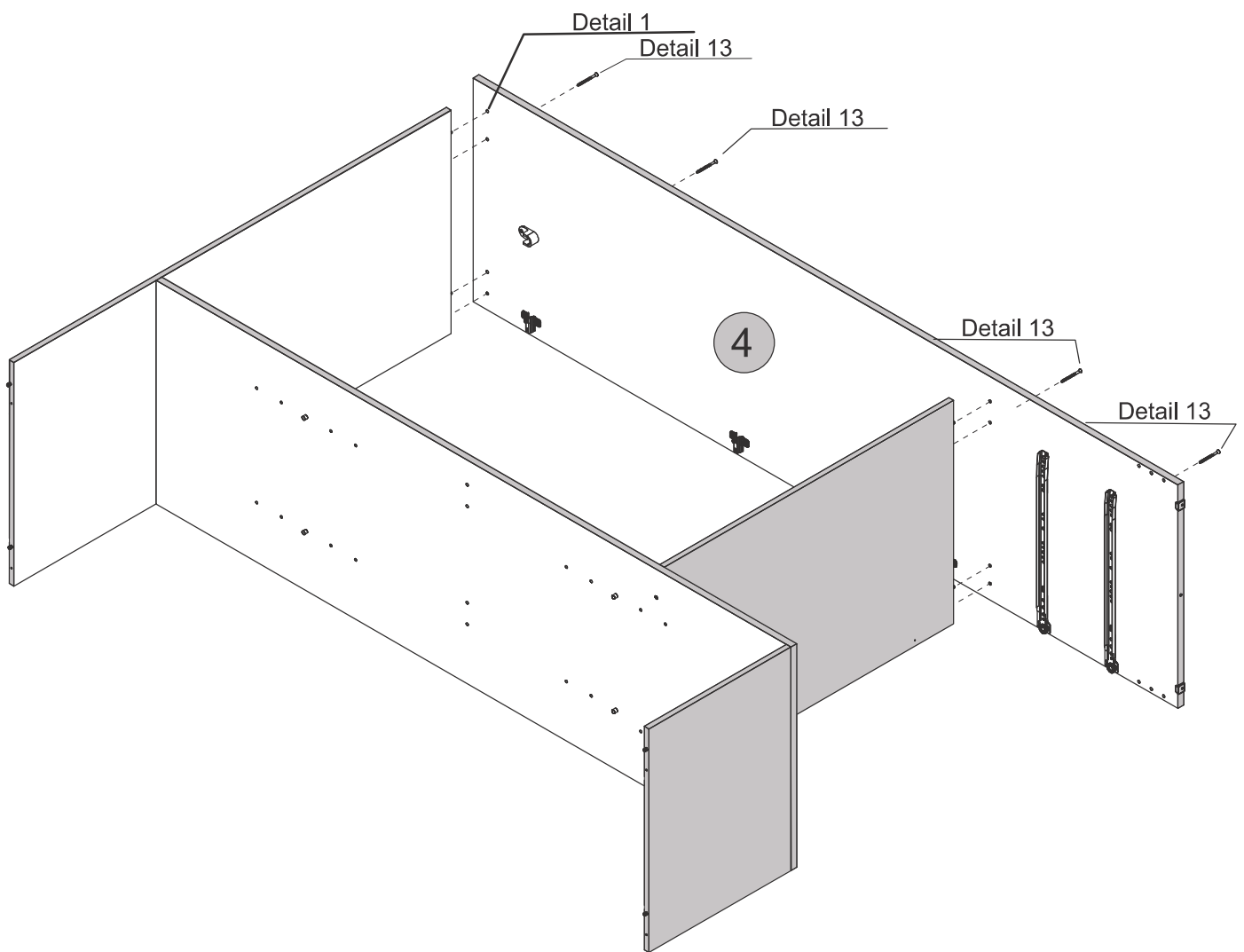
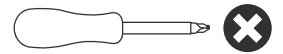


## HARDWARE REQUIRED

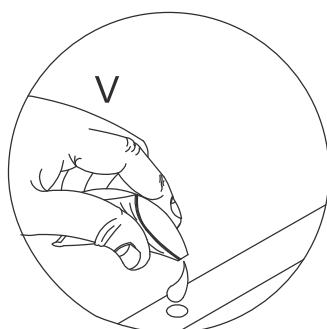
F  04  
Ø4,0 x 50mm

V  01  
Glue

## TOOLS REQUIRED



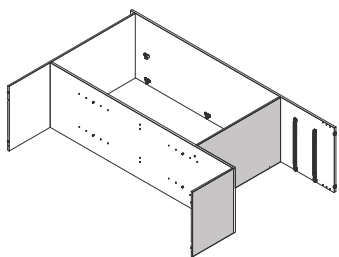
Detail 13



Detail 1




# STEP 12

## PARTS REQUIRED

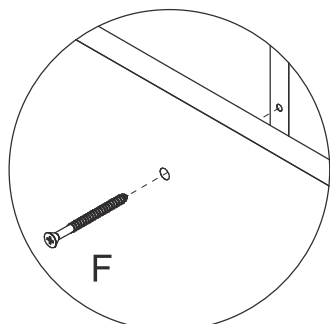
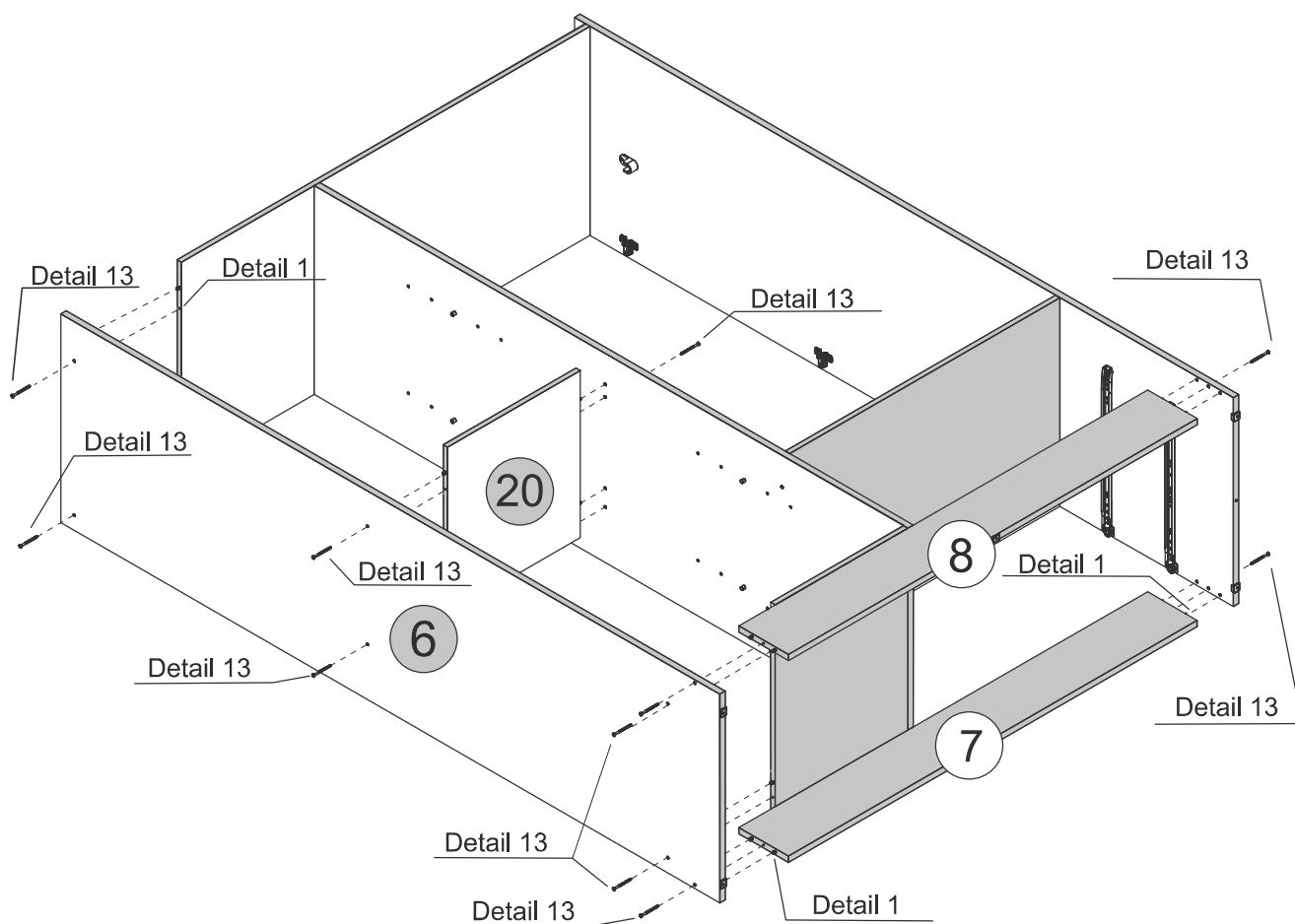
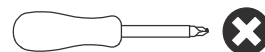


|                      |    |
|----------------------|----|
| 6 - RIGHT SIDE PANEL | x1 |
| 7 - FRONT BASEBOARD  | x1 |
| 8 - BACK BASEBOARD   | x1 |
| 20 - SHELF           | x1 |

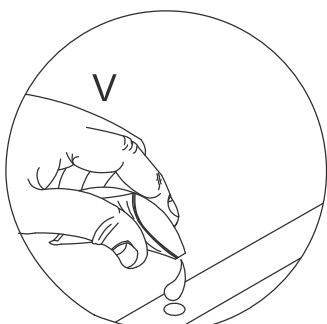
## HARDWARE REQUIRED

|   |  |
|---|--|
| F |   12<br>Ø4,0 x 50mm |
| V |  01  |

## TOOLS REQUIRED



Detail 13



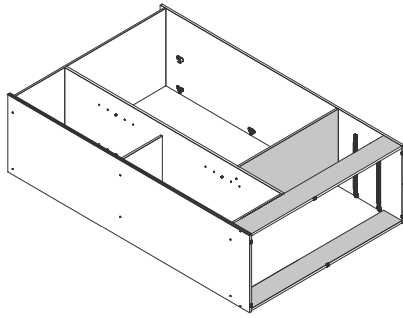
Detail 1

# STEP 13


### PARTS REQUIRED

9 - SMALL BACK PANEL x2

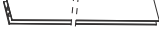
21 - LARGE BACK PANEL x1



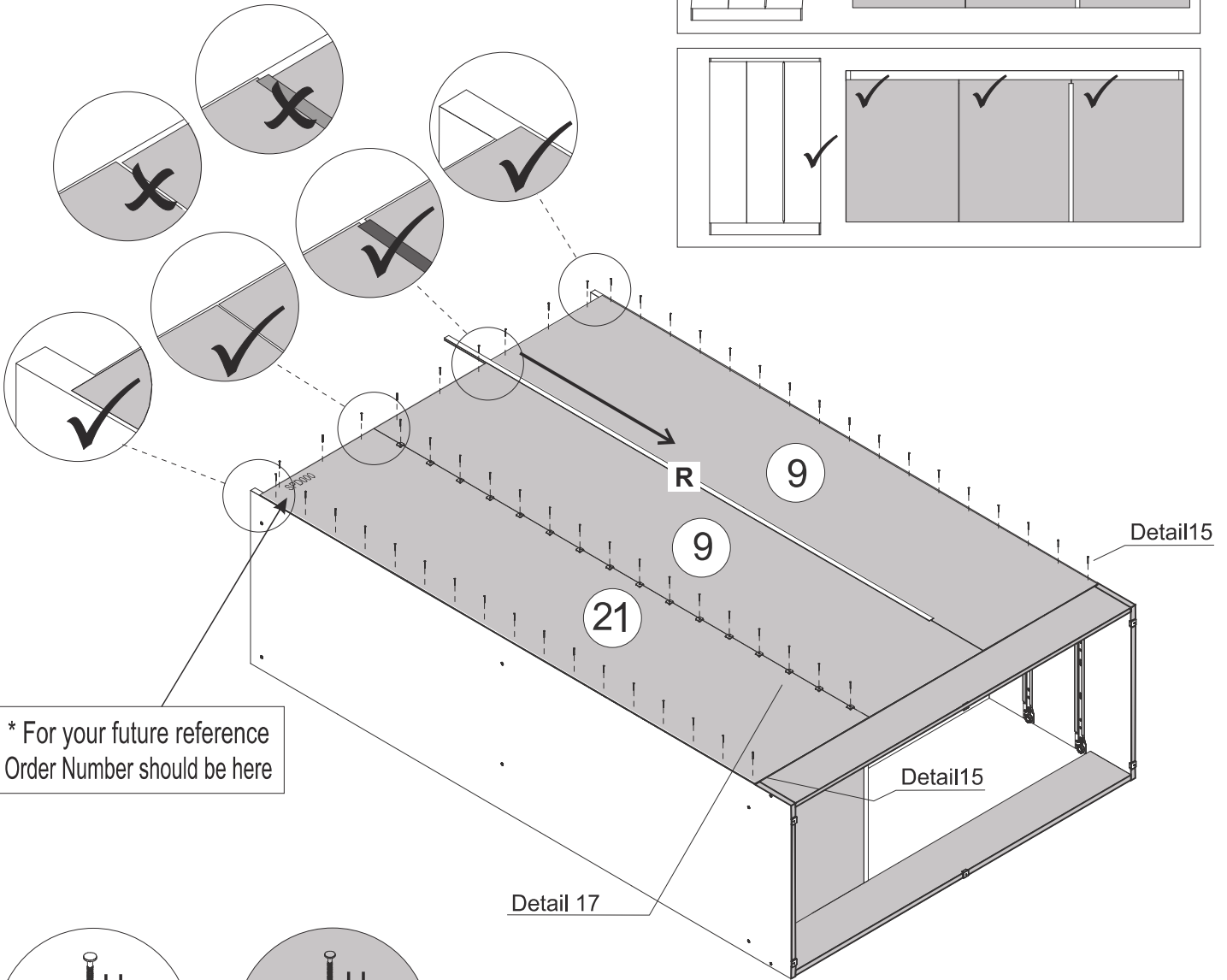
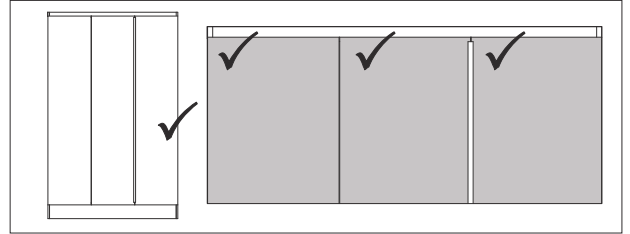
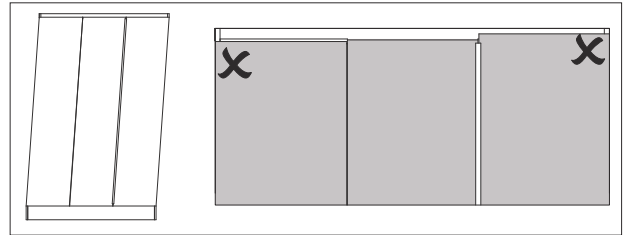
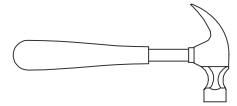
### HARDWARE REQUIRED

H  10 x 10 59

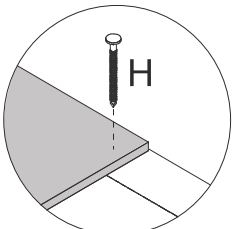
I  16

R  01

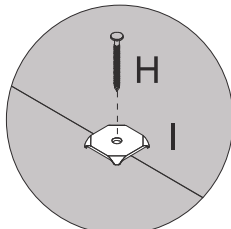
### TOOLS REQUIRED



\* For your future reference  
Order Number should be here

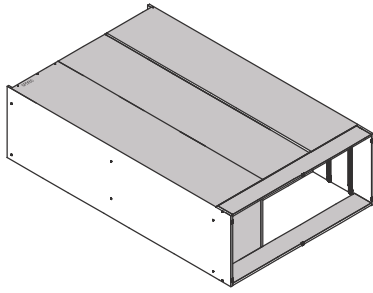


Detail 15

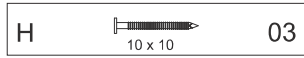


Detail 17

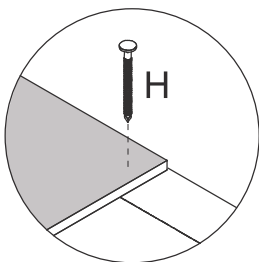
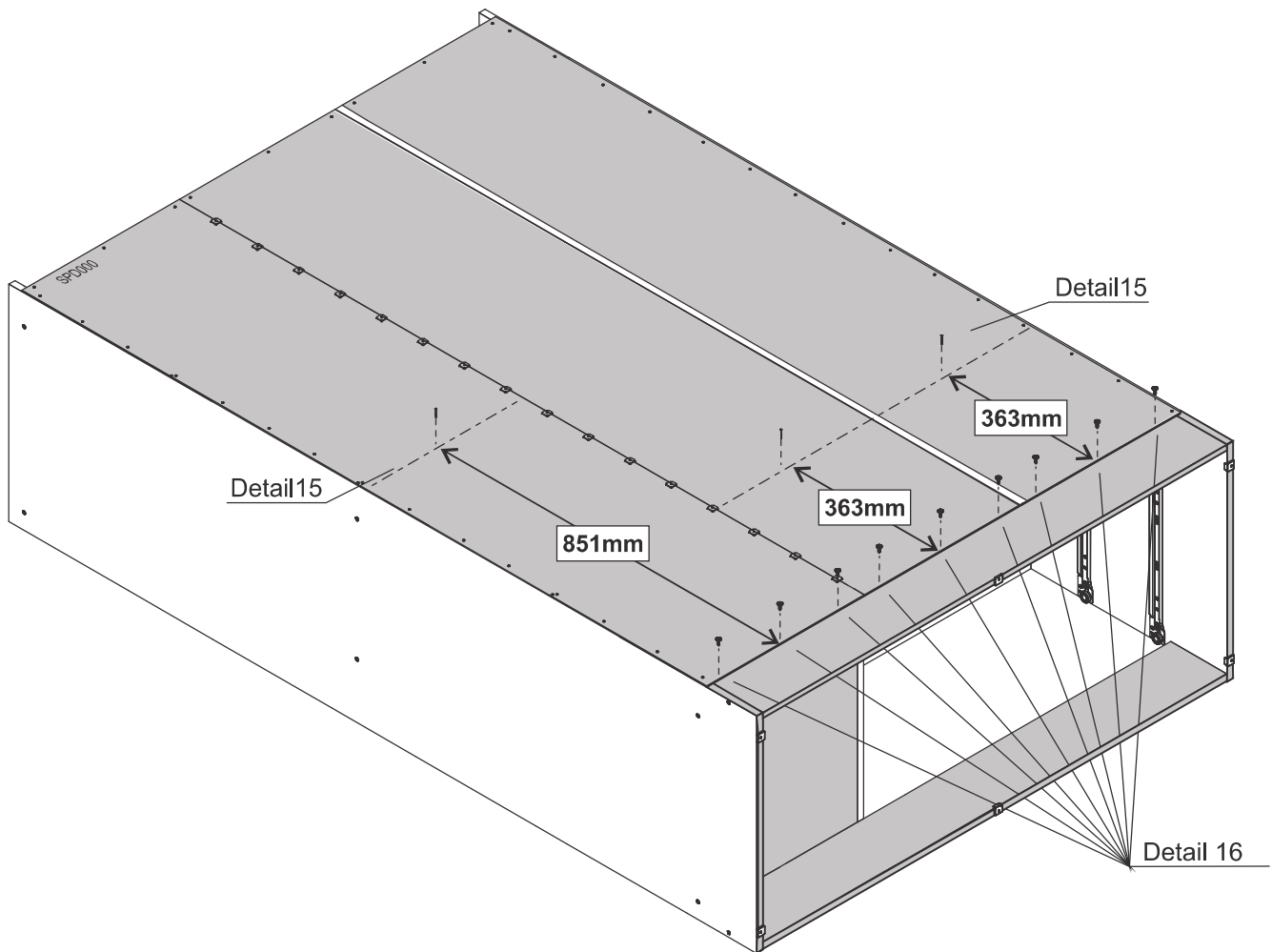
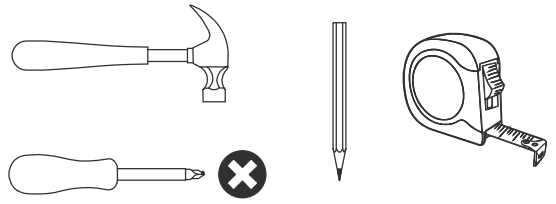
### PARTS REQUIRED



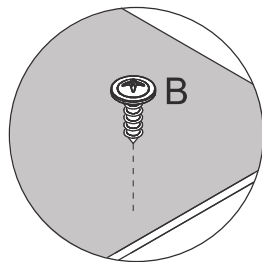
### HARDWARE REQUIRED



### TOOLS REQUIRED



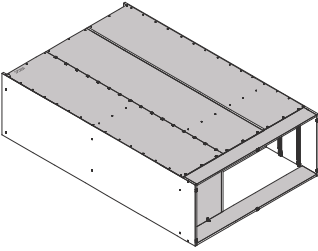
Detail 15



Detail 16

# STEP 15

### PARTS REQUIRED

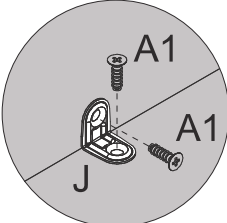
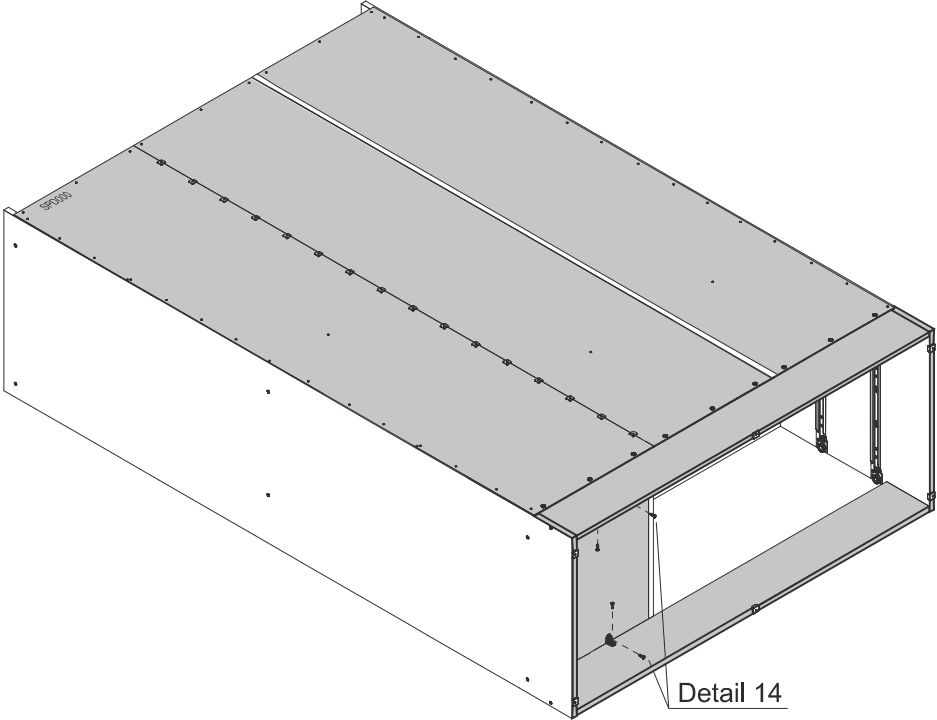
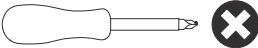


### HARDWARE REQUIRED

A1  04  
Ø4,0 x 12mm

J  02

### TOOLS REQUIRED

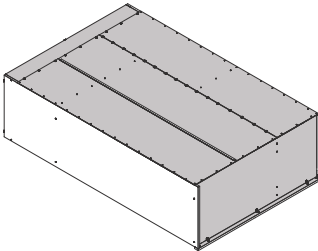


Detail 14

# STEP 16

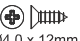
### PARTS REQUIRED

10 - FRAME x1

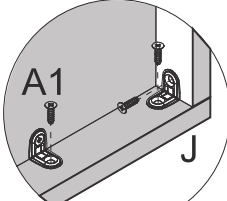
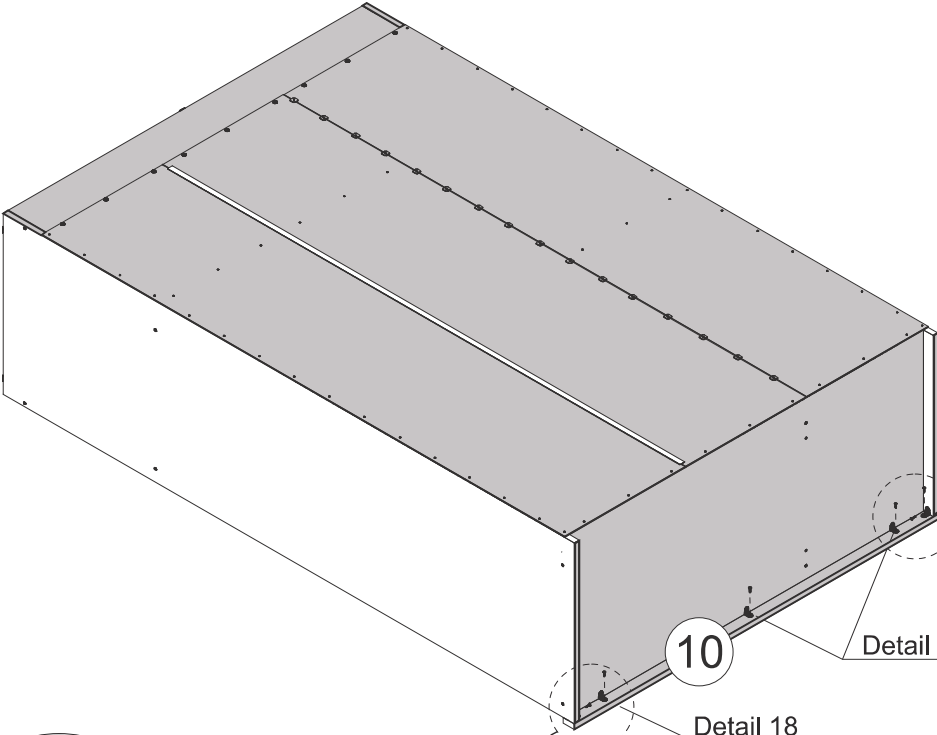
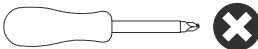


### HARDWARE REQUIRED

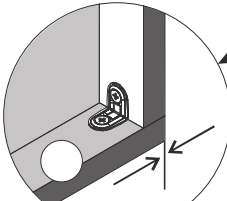
J  02

A1  07  
Ø4,0 x 12mm

### TOOLS REQUIRED



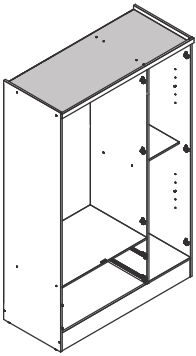
Detail 18



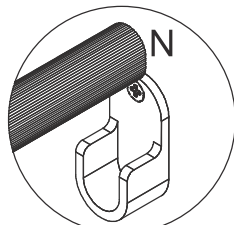
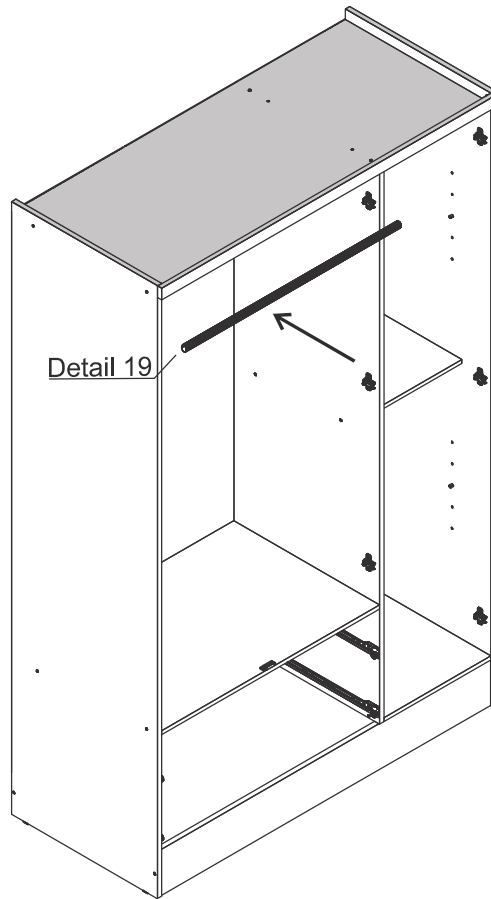
Align corners

# STEP 17

## PARTS REQUIRED



## HARDWARE REQUIRED



Detail 19

# STEP 18

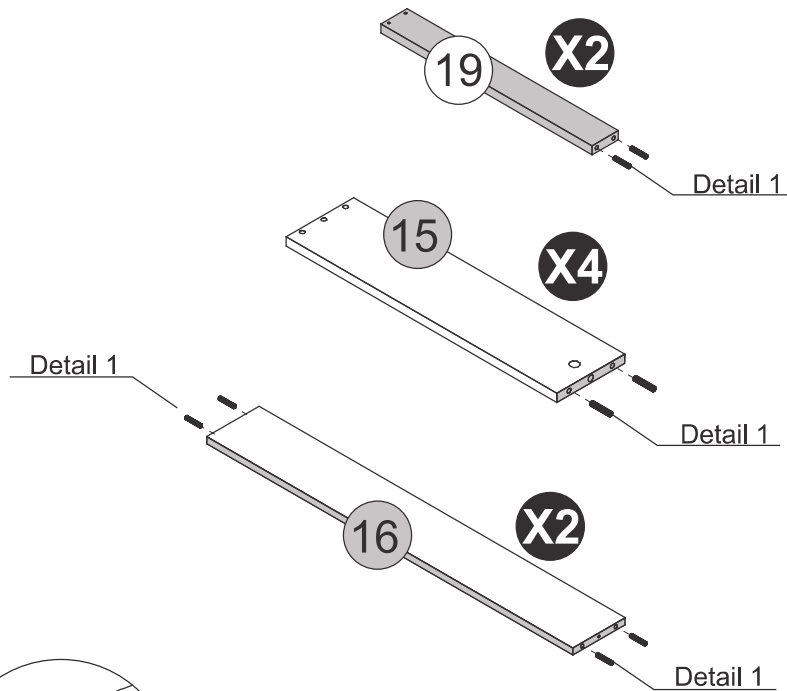
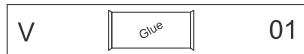
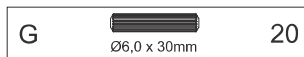
## PARTS REQUIRED

|                  |    |
|------------------|----|
| 15 - DRAWER SIDE | x4 |
|------------------|----|

|                        |    |
|------------------------|----|
| 16 - DRAWER BACK PANEL | x2 |
|------------------------|----|

|                                |    |
|--------------------------------|----|
| 19 - DRAWER BOTTOM SUPPORT BAR | x2 |
|--------------------------------|----|

## HARDWARE REQUIRED



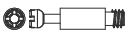
Detail 1

# STEP 19

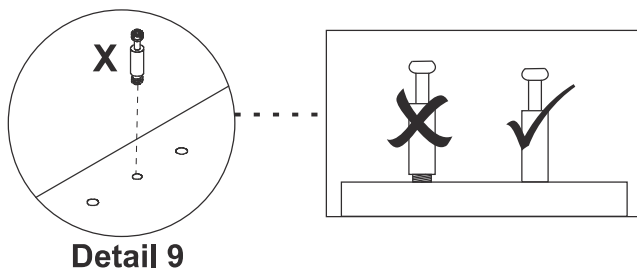
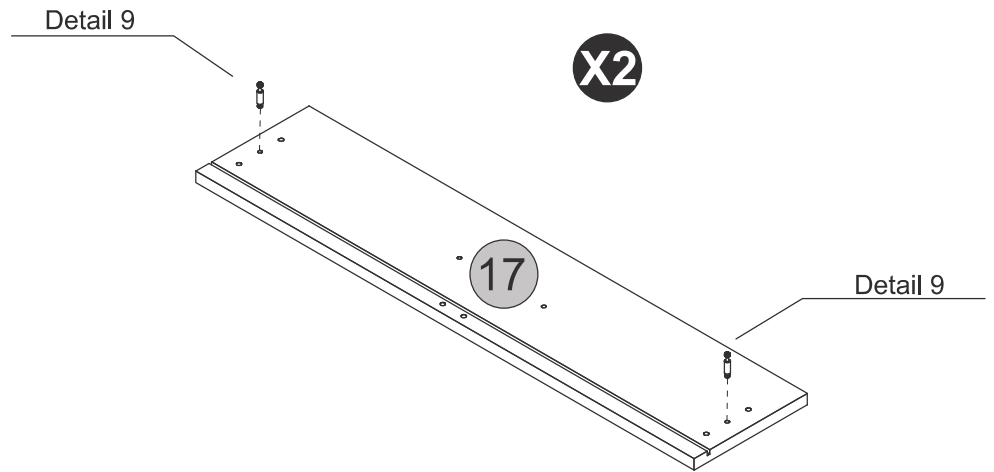
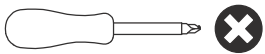
## PARTS REQUIRED

17 - DRAWER FRONT x2

## HARDWARE REQUIRED

X  04

## TOOLS REQUIRED



# STEP 20

## PARTS REQUIRED

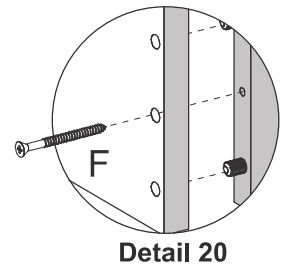
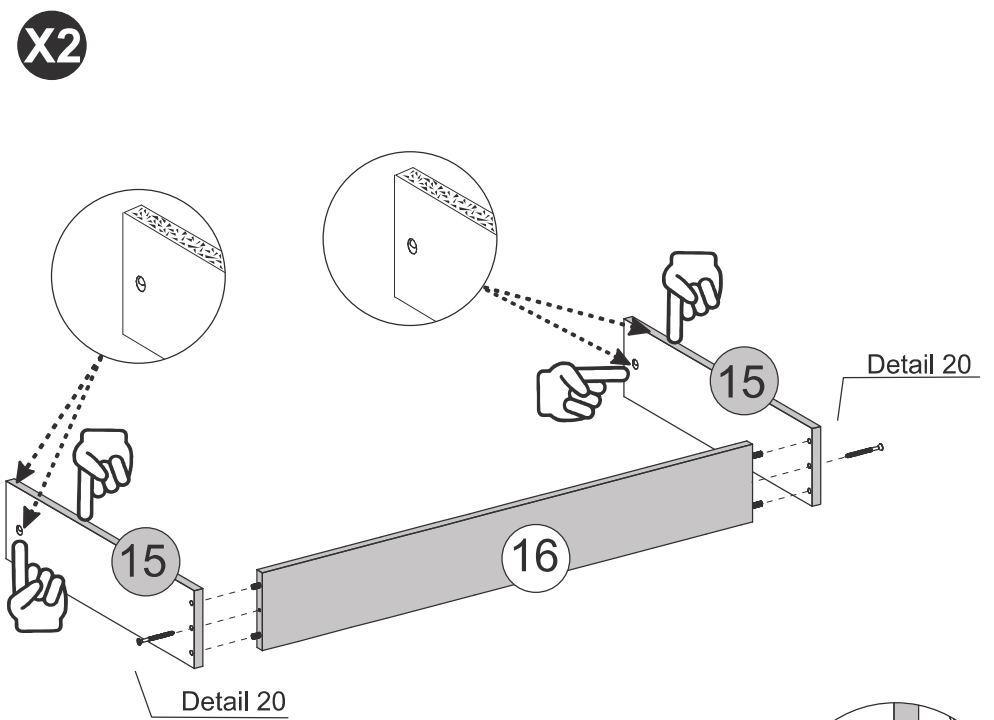
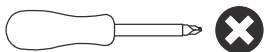
15 - DRAWER SIDE x4

16 - DRAWER BACK PANEL x2

## HARDWARE REQUIRED

F  Ø4,0 x 50mm 04

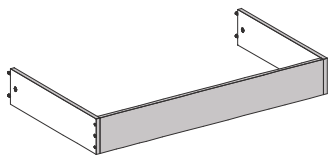
## TOOLS REQUIRED



# STEP 21

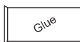
## PARTS REQUIRED

17 - DRAWER FRONT x2



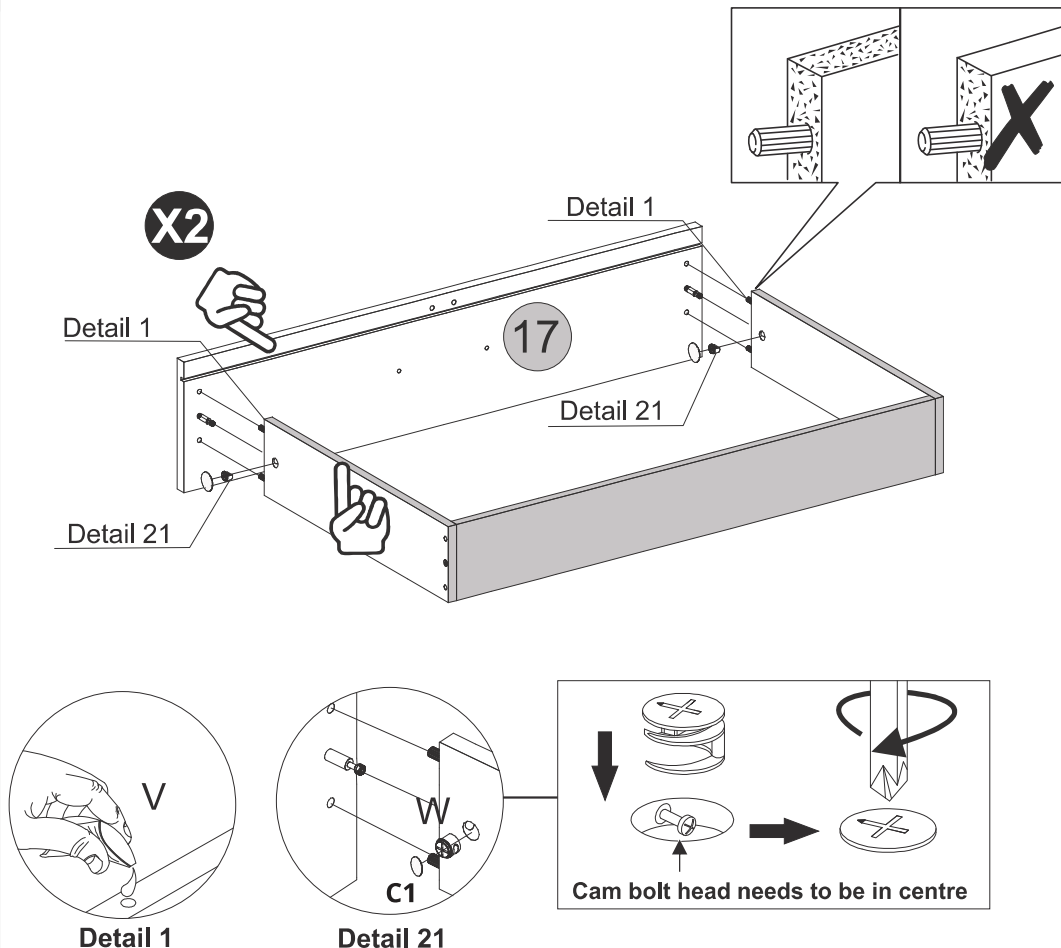
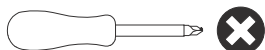
## HARDWARE REQUIRED

C1  04

V  01

W  04

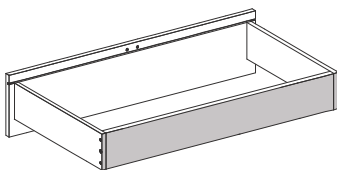
## TOOLS REQUIRED



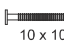
# STEP 22

## PARTS REQUIRED

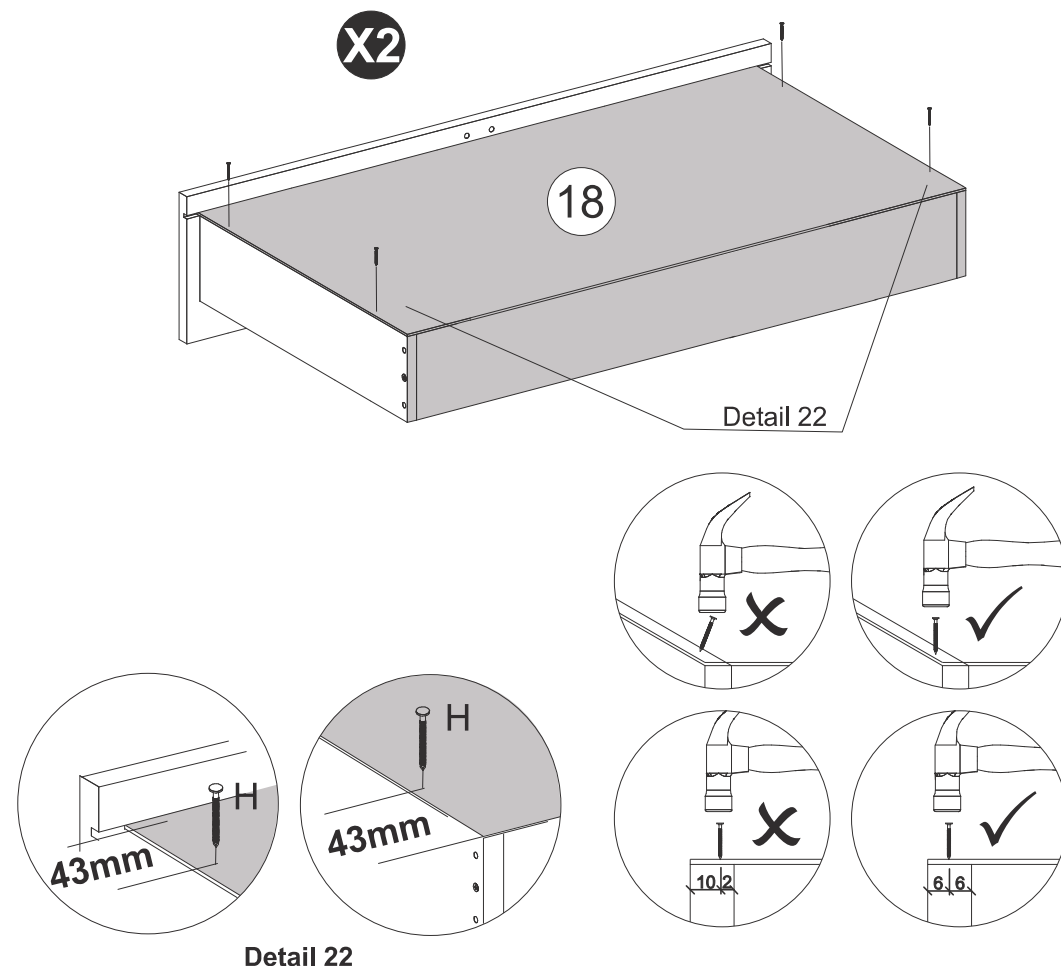
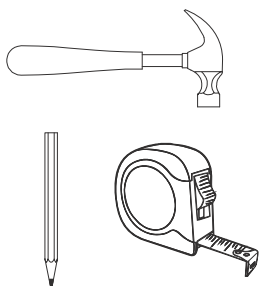
18 - DRAWER BOTTOM x2



## HARDWARE REQUIRED

H  10 x 10 08

## TOOLS REQUIRED

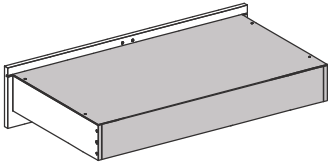





# STEP 23


## PARTS REQUIRED

19 - DRAWER BOTTOM SUPPORT BAR X2

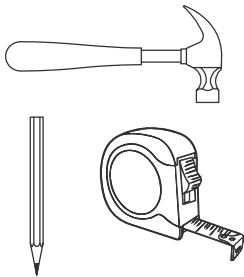


## HARDWARE REQUIRED

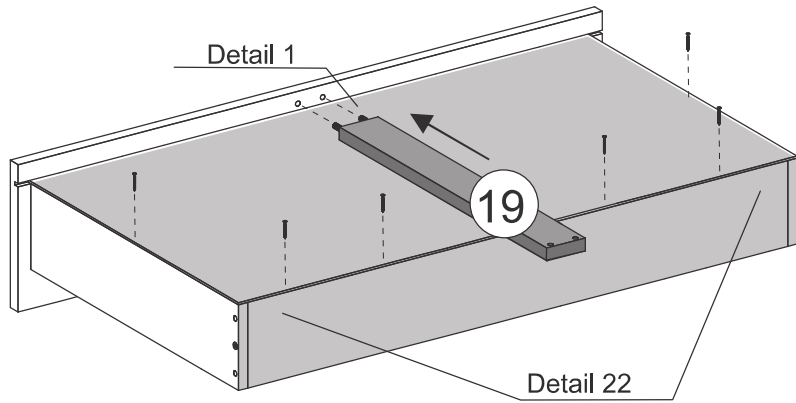
H  12

V  01

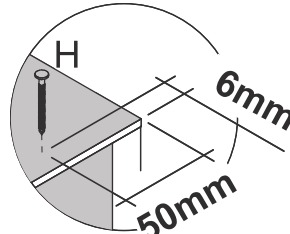
## TOOLS REQUIRED



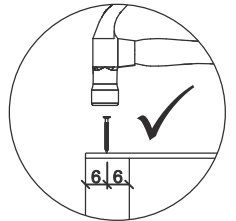
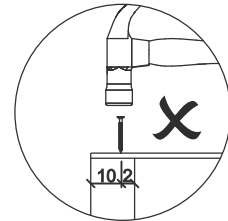
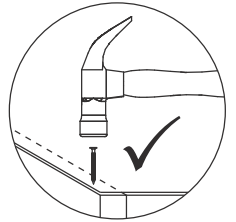
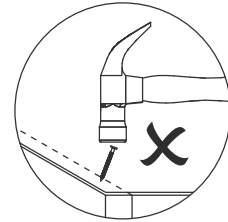
**X2**



Detail 1

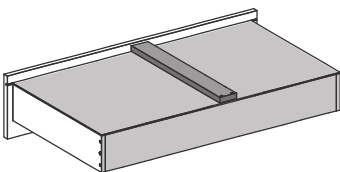


Detail 22





# STEP 24

## PARTS REQUIRED




## HARDWARE REQUIRED

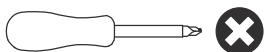
C  08

E  04

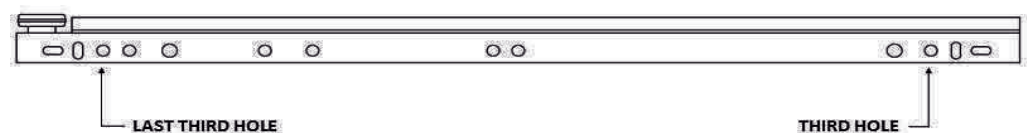
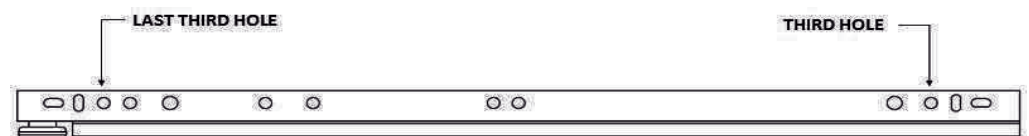
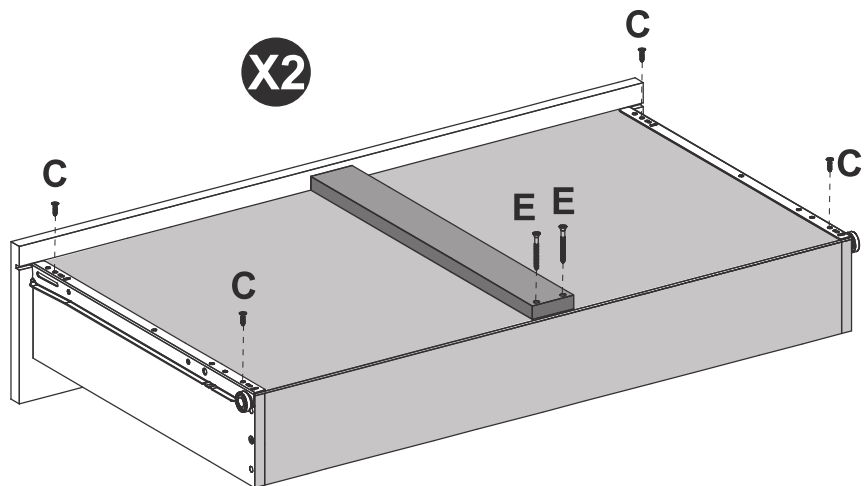
Q  02

Q  02

## TOOLS REQUIRED



**X2**



# STEP 25

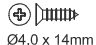
## PARTS REQUIRED

11 - LARGE DOOR x1

13 - RIGHT SMALL DOOR x1

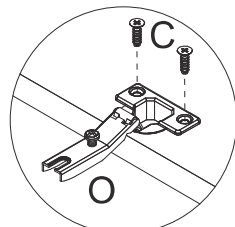
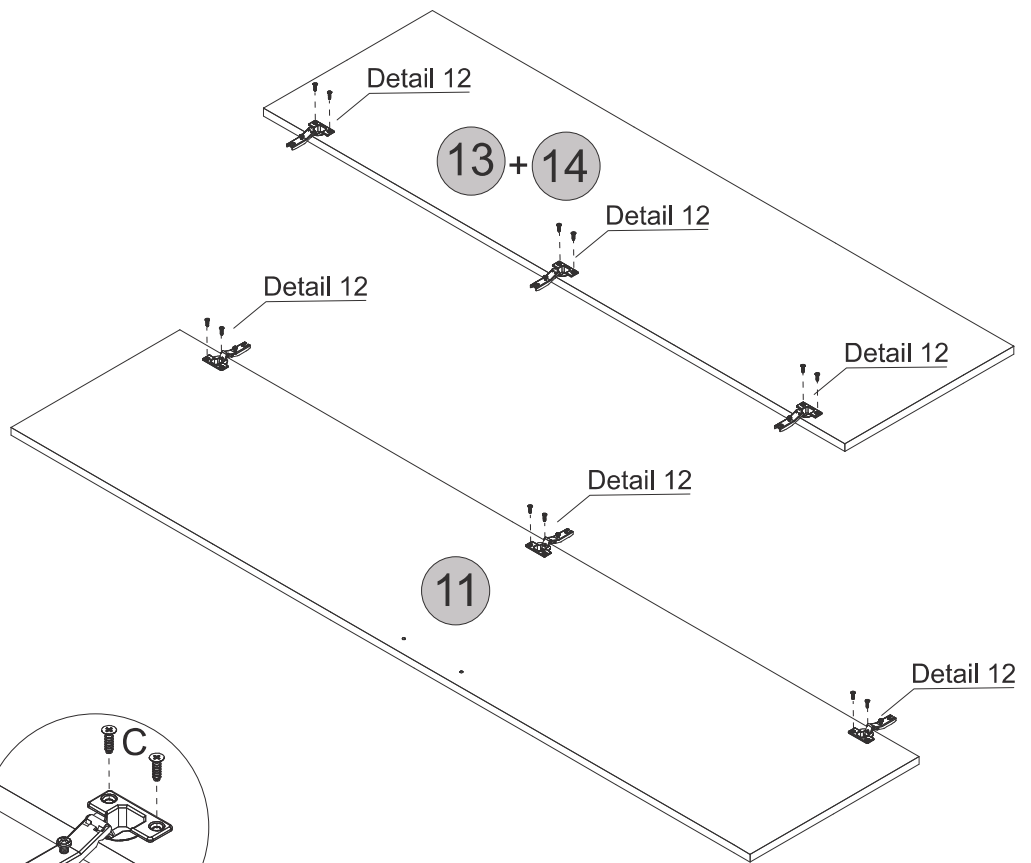
14 - LEFT SMALL DOOR x1

## HARDWARE REQUIRED

C  18  
Ø4.0 x 14mm

O  09

## TOOLS REQUIRED



Detail 12

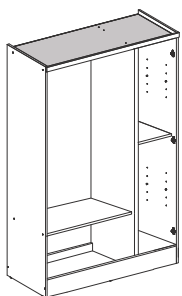
# STEP 26

## PARTS REQUIRED

11 - LARGE DOOR x1

13 - RIGHT SMALL DOOR x1

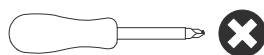
14 - LEFT SMALL DOOR x1



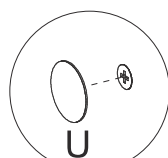
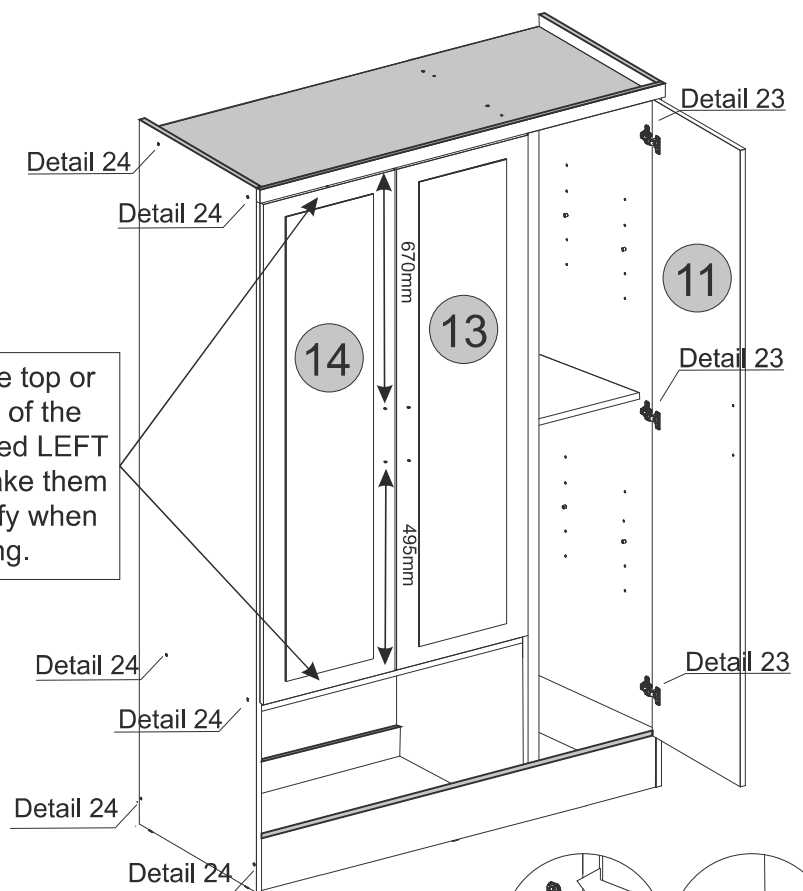
## HARDWARE REQUIRED

U  14

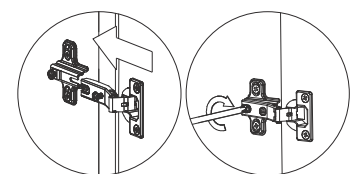
## TOOLS REQUIRED



**!**  
Please note the top or bottom edges of the doors are labelled LEFT or RIGHT to make them easier to identify when assembling.



Detail 24

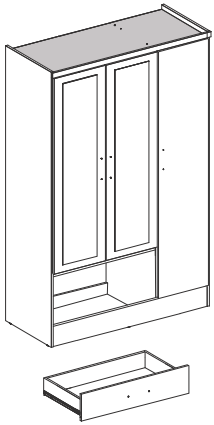


Detail 23


# STEP 27

## PARTS REQUIRED

12 - MOVEABLE SHELF x2

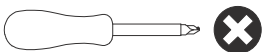


## HARDWARE REQUIRED

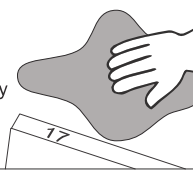
D  10  
Ø4,0 x 22mm

T  05

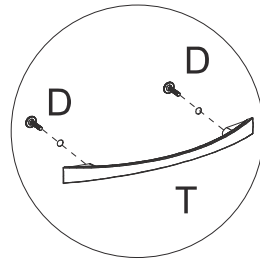
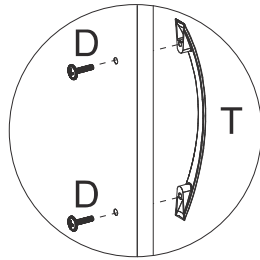
## TOOLS REQUIRED



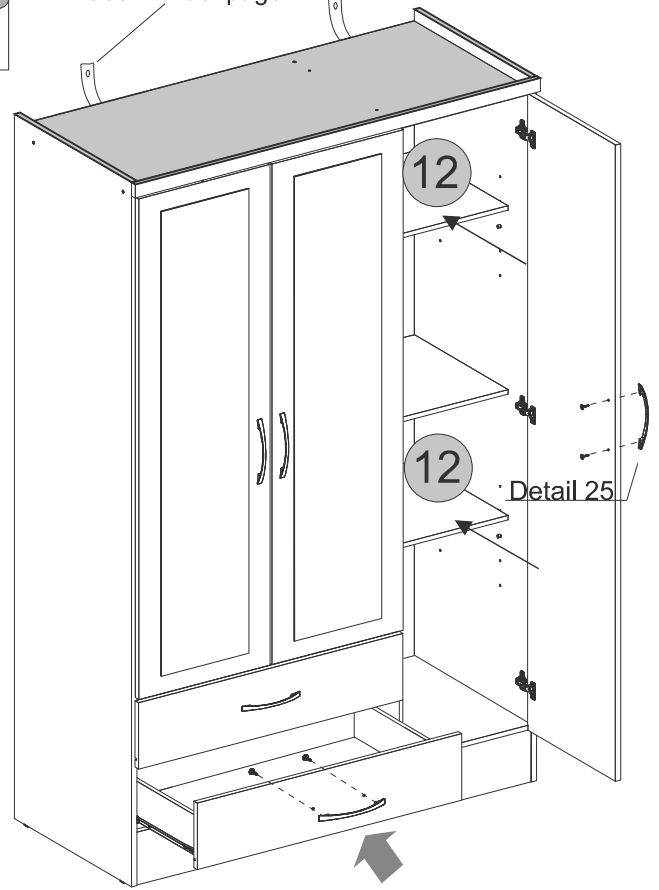
**TIP**  
If desired, after assembly use an alcohol cleaner to erase the number printed on the parts.



See the last page



Detail 25




# STEP 28

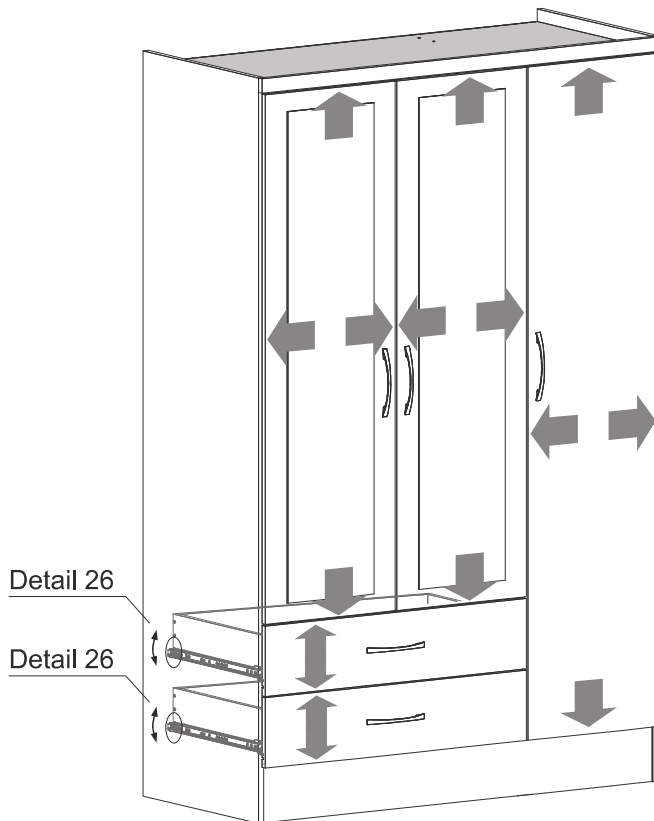
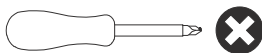
## PARTS REQUIRED



## HARDWARE REQUIRED

C  04  
Ø4,0 x 14mm

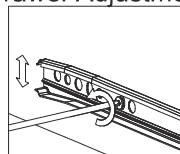
## TOOLS REQUIRED



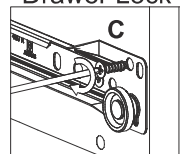
Detail 26

Detail 26

### Drawer Adjustment

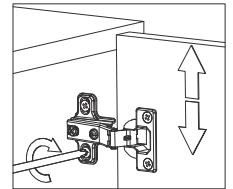


### Drawer Lock

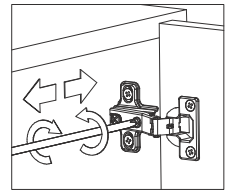


Detail 26

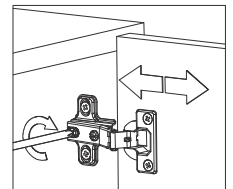
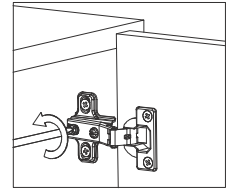
### Height Adjustment



### Internal Adjustment



### Depth Adjustment

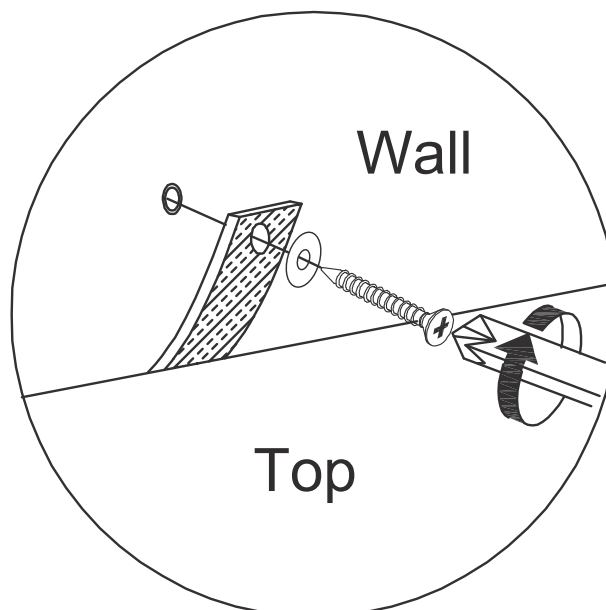
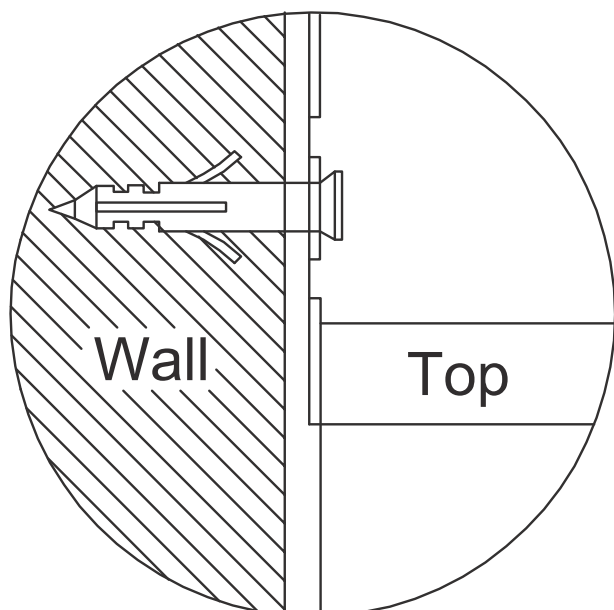
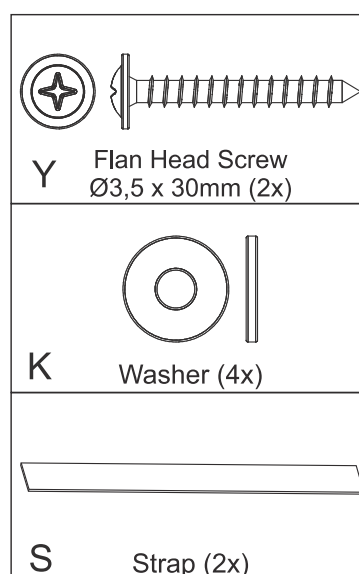
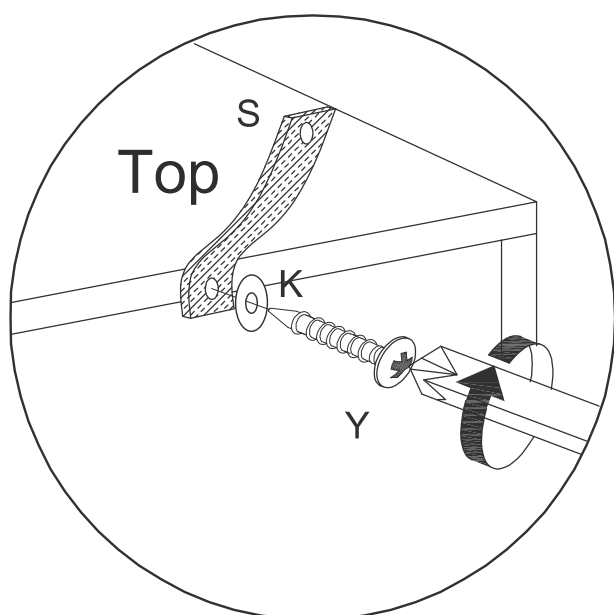


## WARNING

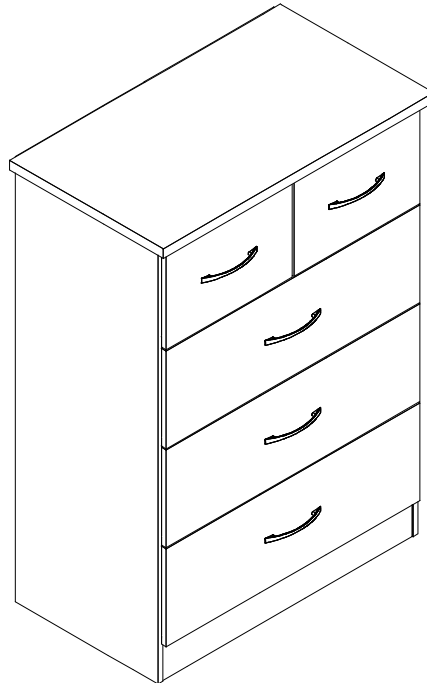
**Serious or fatal injuries can occur from furniture tipping over. To prevent the furniture from tipping over we recommend that it is permanently fixed to the wall.**

Wall fixings are not supplied with this product as different wall materials require different types of fixing devices.

Please make sure you use fixings suitable for the walls in your home.



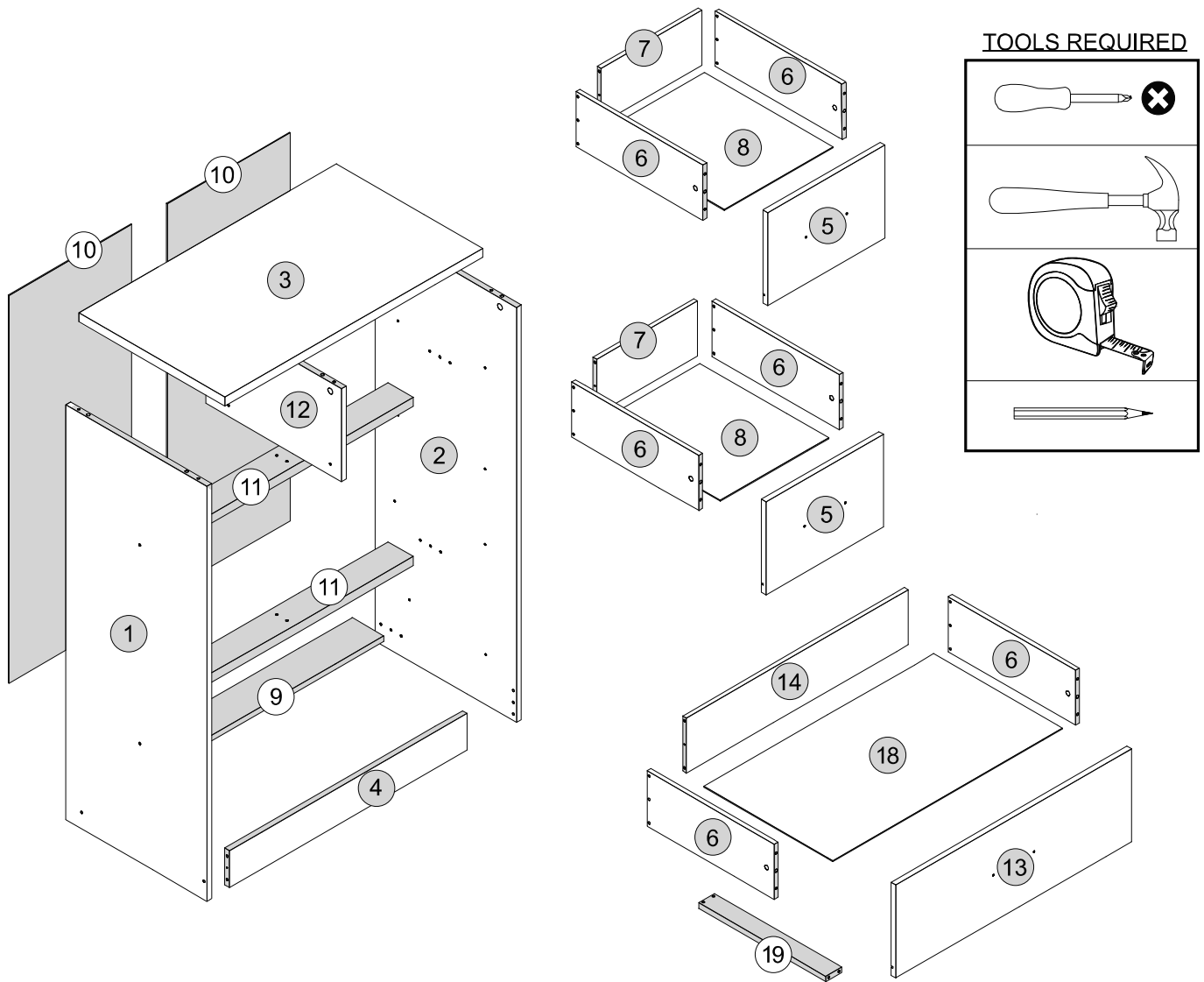
# NEVADA 3+2 DRAWER CHEST ASSEMBLY INSTRUCTIONS



## **IMPORTANT FOR DOMESTIC USE ONLY PLEASE READ BEFORE YOU CONTINUE FURTHER CARE AND MAINTENANCE**

After unpacking this product please keep the original packaging in case it needs to be returned for any reason.

- Please ensure all fittings and parts are present before commencing with assembly.
- Never drag or push products as this could cause damage to the joints making it inferior.
- We strongly recommend that you keep children away from your work area.
- We recommend that you lay a blanket or sheet on the floor to avoid damage to both your floor and the product.
- Assemble this product as close to its final position as possible.
- Do not place this product next to a radiator or in direct sunlight.
- Do not drag or push items across your high gloss furniture as this may cause the surface to scratch
- Wood is a natural product and may expand if subjected to damp and may shrink or crack if subjected to heat. Therefore it is recommended that room temperature is maintained, with no sudden temperature fluctuations.
- Make sure any spillage is wiped off immediately.
- Do not place hot or chilled items directly on to the surface, use a place mat or marking will occur.
- For general cleaning use a soft cotton or micro fibre cloth, and do not use detergents of any kind.
- From time to time it may be necessary to tighten fittings, regular inspections should be carried out.
- Do not place on a wet or damp floor as staining may occur to your floor.



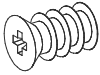
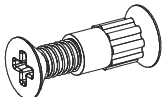
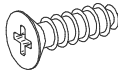
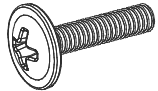
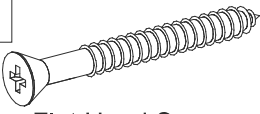
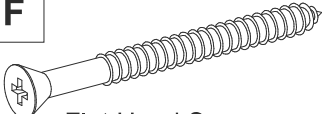
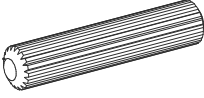


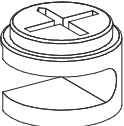

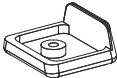

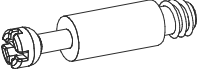


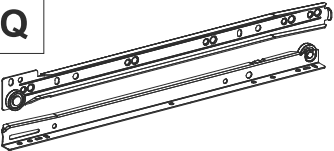


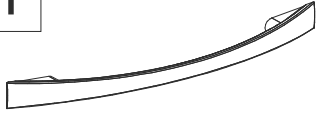
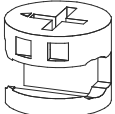

**PARTS LIST**

**Please Note:**  
The below parts have all been stamped with the part number to help identify them during assembly.

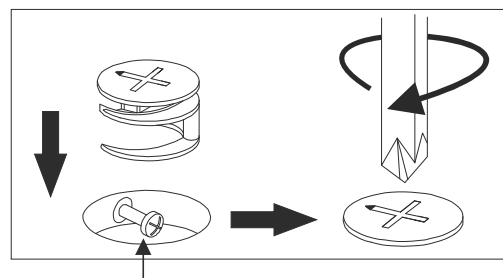
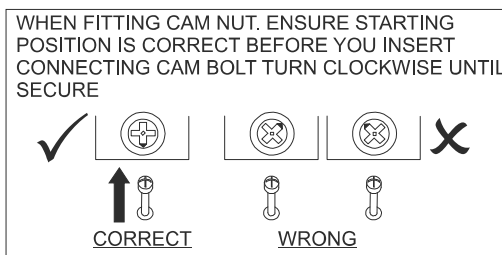
| Part Number | Part Description          | Quantity | Carton |
|-------------|---------------------------|----------|--------|
| 01          | Left Side Panel           | 1        | 1/2    |
| 02          | Right Side Panel          | 1        | 1/2    |
| 03          | Top Panel                 | 1        | 2/2    |
| 04          | Front Baseboard           | 1        | 1/2    |
| 05          | Small Drawer Front        | 1        | 2/2    |
| 06          | Drawer Side               | 10       | 1/2    |
| 07          | Small Drawer Back Panel   | 2        | 1/2    |
| 08          | Small Drawer Bottom       | 2        | 1/2    |
| 09          | Back Baseboard            | 1        | 1/2    |
| 10          | Back Panel                | 1        | 1/2    |
| 11          | Crossbar                  | 2        | 2/2    |
| 12          | Division Panel            | 1        | 1/2    |
| 13          | Large Drawer Front        | 3        | 2/2    |
| 14          | Large Drawer Back Panel   | 3        | 1/2    |
| 18          | Large Drawer Bottom       | 3        | 2/2    |
| 19          | Drawer Bottom Support Bar | 3        | 1/2    |

# FITTINGS LIST

SEC/SH/09/21/HV1

|  |  |   |  |
|--|--|---|--|
| <p><b>A</b></p>  <p>Flat Head Screw<br/>2/+ Ø6,0 x 10mm (16x)</p> | <p><b>B</b></p>  <p>Double Flat Head Screw<br/>1/+ Ø4,0 x 18mm (2x)</p> | <p><b>C</b></p>  <p>Flat Head Screw<br/>2/+ Ø4,0 x 14mm (30x)</p> | <p><b>D</b></p>  <p>Flan Head Screw<br/>2/+ Ø4,0 x 20mm (10x)</p> |
| <p><b>E</b></p>  <p>Flat Head Screw<br/>1/+ Ø3,5 x 40mm (6x)</p>  | <p><b>F</b></p>  <p>Flat Head Screw<br/>2/+ Ø4,0 x 50mm (19x)</p>       | <p><b>G</b></p>  <p>2/+ Dowel Ø6,0 x 30mm (69x)</p>               | <p><b>H</b></p>  <p>2/+ Nail 10x10 Ringed-1,5x23mm (84x)</p>      |
| <p><b>I</b></p>  <p>1/+ Back Panel Bracket 14x14mm (2x)</p>       | <p><b>J</b></p>  <p>2/+ Cam Nut Ø12x8,8MM (10x)</p>                     | <p><b>K</b></p>  <p>1/+ Washer Ø16x7 (4x)</p>                      | <p><b>L</b></p>  <p>1/+ Plastic Foot L 19x17x8mm Ø2 (6x)</p>      |
| <p><b>M</b></p>  <p>Flan Head Screw<br/>1/+ Ø3,5 x 30mm (2x)</p>  | <p><b>N</b></p>  <p>2/+ Cam Bolt (16x)</p>                              | <p><b>O</b></p>  <p>2/+ Hole Plugs 19MM (9x)</p>                  | <p><b>P</b></p>  <p>Glue 10Gr (3x)</p>                            |
| <p><b>Q</b></p>  <p>Drawer Runners 400MM (5x)</p>                 | <p><b>R</b></p>  <p>Back Panel Strip H 799x19x3,8mm (1x)</p>           | <p><b>S</b></p>  <p>Strap 200x20x1MM (2x)</p>                    | <p><b>T</b></p>  <p>Handle (5x)</p>                              |
| <p><b>U</b></p>  <p>1/+ Cam Nut Ø14,9x11MM (6x)</p>             | <p><b>V</b></p>  <p>+2 Hole Plugs Líneo 19mm (9x)</p>                 |   |  |

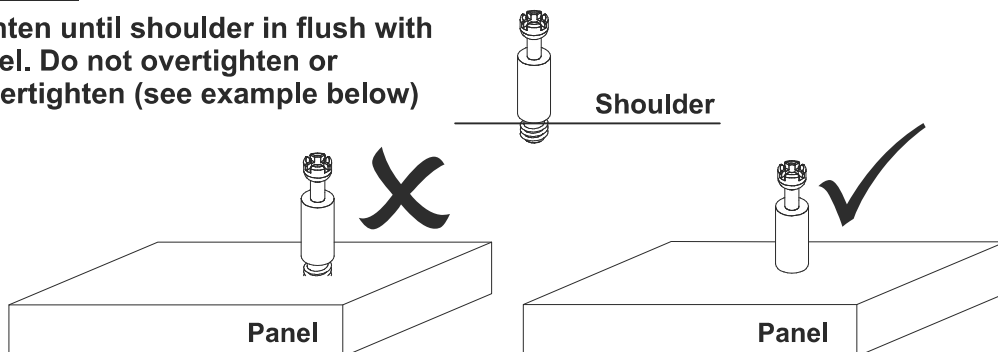
## TIPS FOR FITTINGS CAM-LOCKS



Cam bolt head needs to be in centre

### **CAMBOLT**

**Tighten until shoulder in flush with panel. Do not overtighten or undertighten (see example below)**

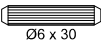


# STEP 1

## PARTS REQUIRED


1 - LEFT SIDE PANEL x1

## HARDWARE REQUIRED

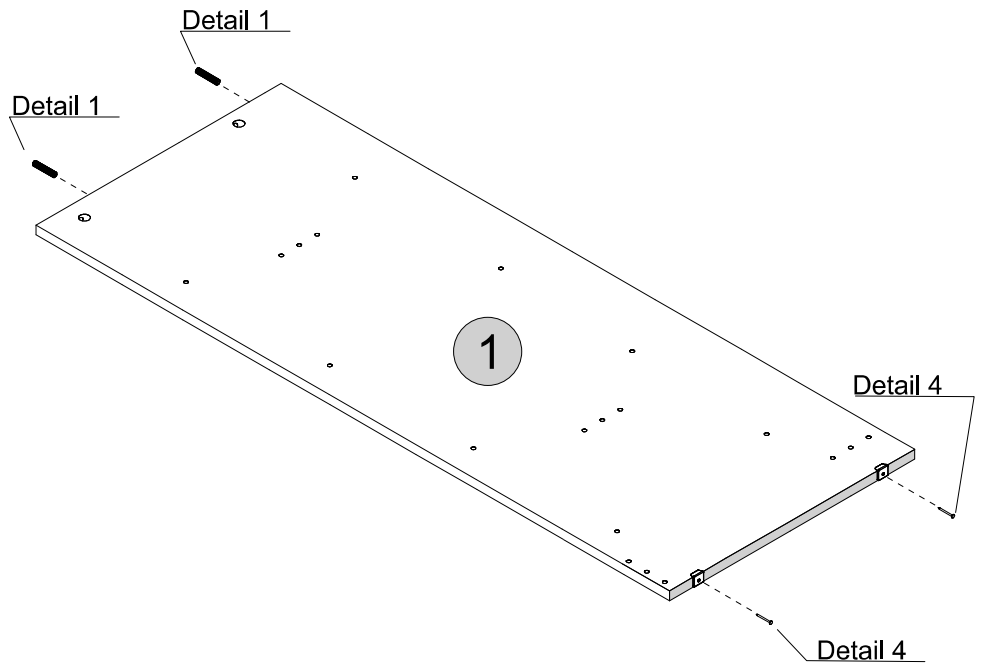
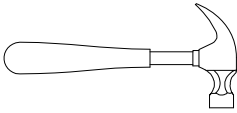
G  02  
Ø6 x 30

H  02  
10 x 10

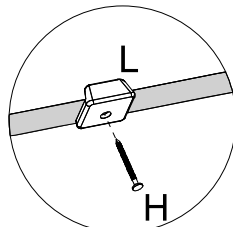
L  02

P  01  
GLUE

## TOOLS REQUIRED



Detail 1



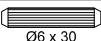
Detail 4

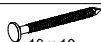
# STEP 2

## PARTS REQUIRED

2 - RIGHT SIDE PANEL x1

## HARDWARE REQUIRED

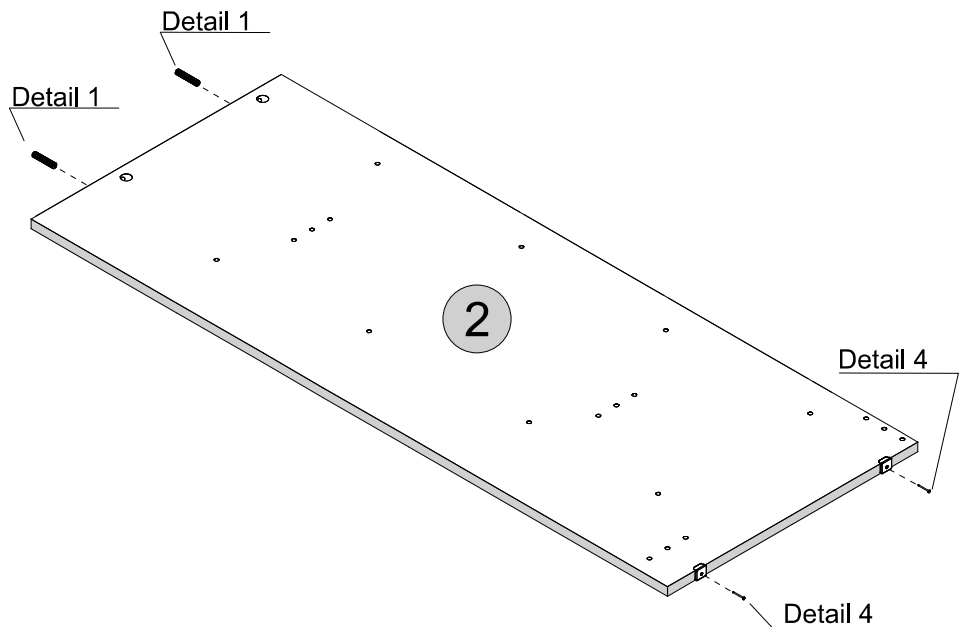
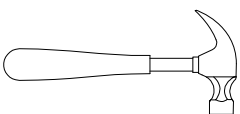
G  02  
Ø6 x 30

H  02  
10 x 10

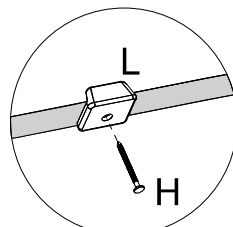
L  02

P  01  
GLUE

## TOOLS REQUIRED



Detail 1



Detail 4




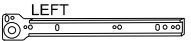
# STEP 3

## PARTS REQUIRED

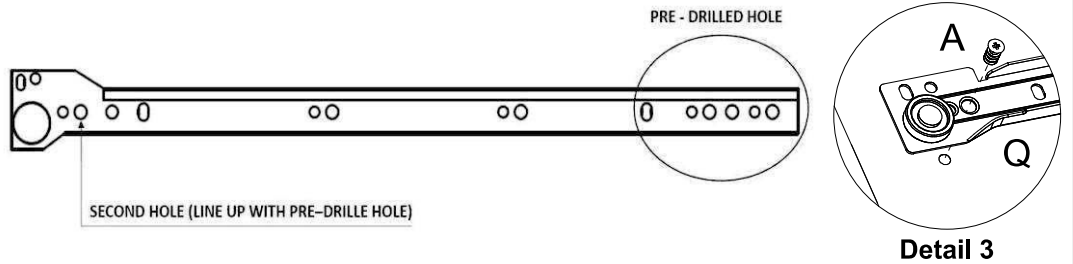
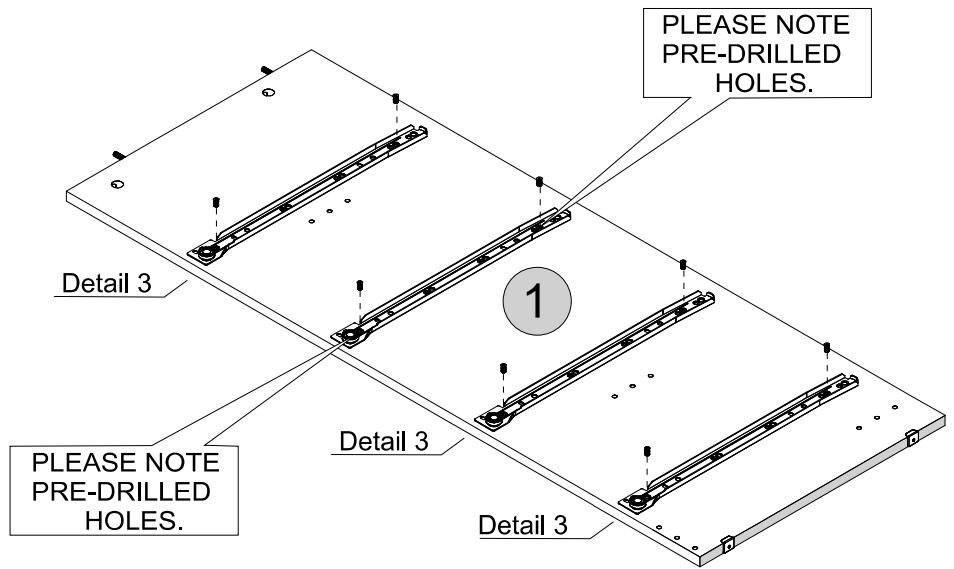
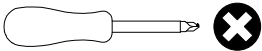
1 - LEFT SIDE PANEL x1

## HARDWARE REQUIRED

A  08  
Ø6 x 10

Q  04  
LEFT

## TOOLS REQUIRED





# STEP 4

## PARTS REQUIRED

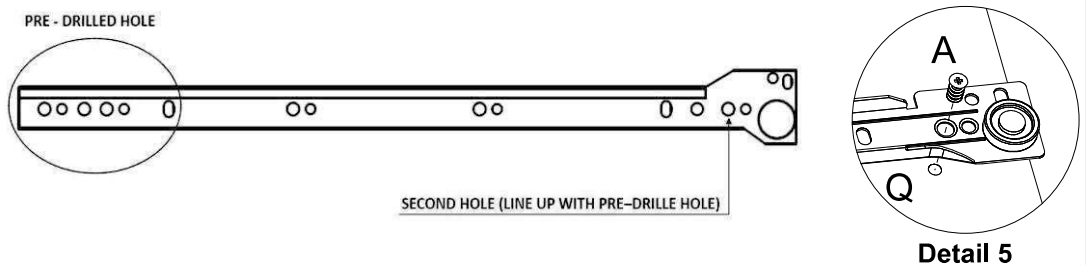
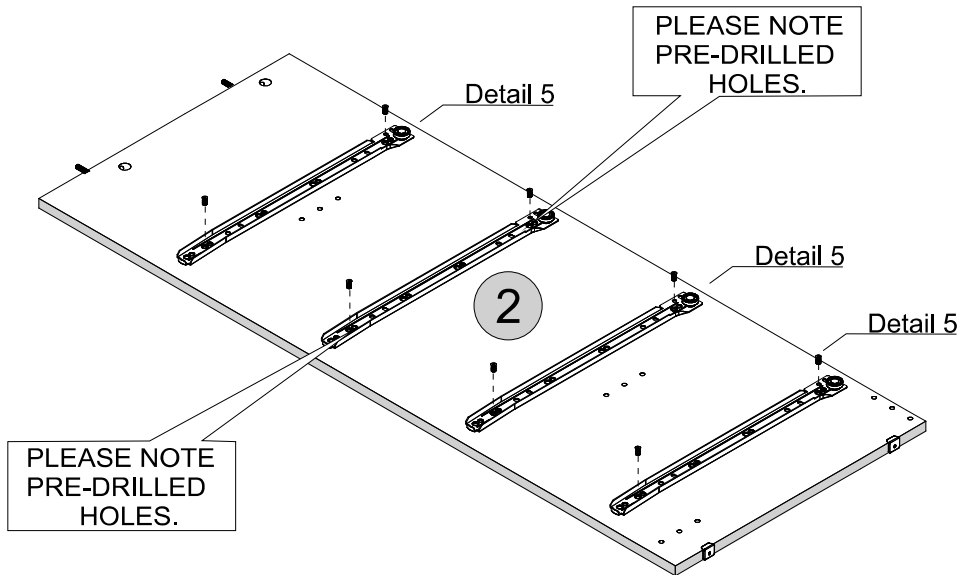
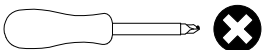
2 - RIGHT SIDE PANEL x1

## HARDWARE REQUIRED

A  08  
Ø6 x 10

Q  04  
RIGHT

## TOOLS REQUIRED



# STEP 5

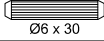
## PARTS REQUIRED

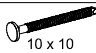
4 - FRONT BASEBOARD x1

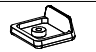
9 - BACK BASEBOARD x1

11 - CROSSBAR x2

## HARDWARE REQUIRED

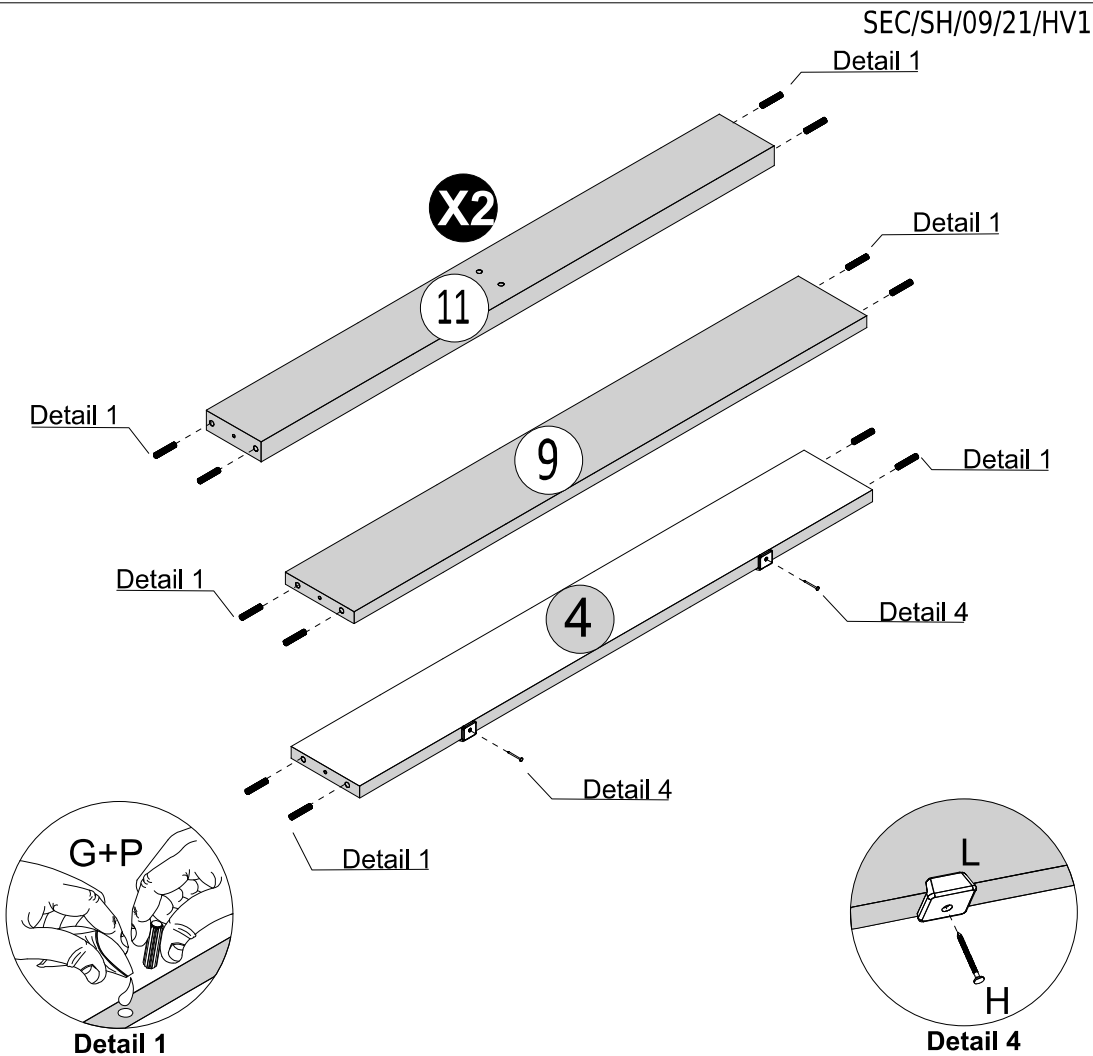
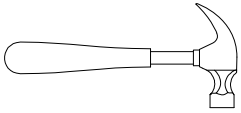
G  16  
Ø6 x 30

H  02  
10 x 10

L  02

P  01  
GLUE

## TOOLS REQUIRED



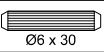
# STEP 6

## PARTS REQUIRED

12 - DIVISION PANEL x1

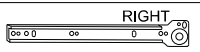
## HARDWARE REQUIRED

B  02  
Ø4.0 x 18mm

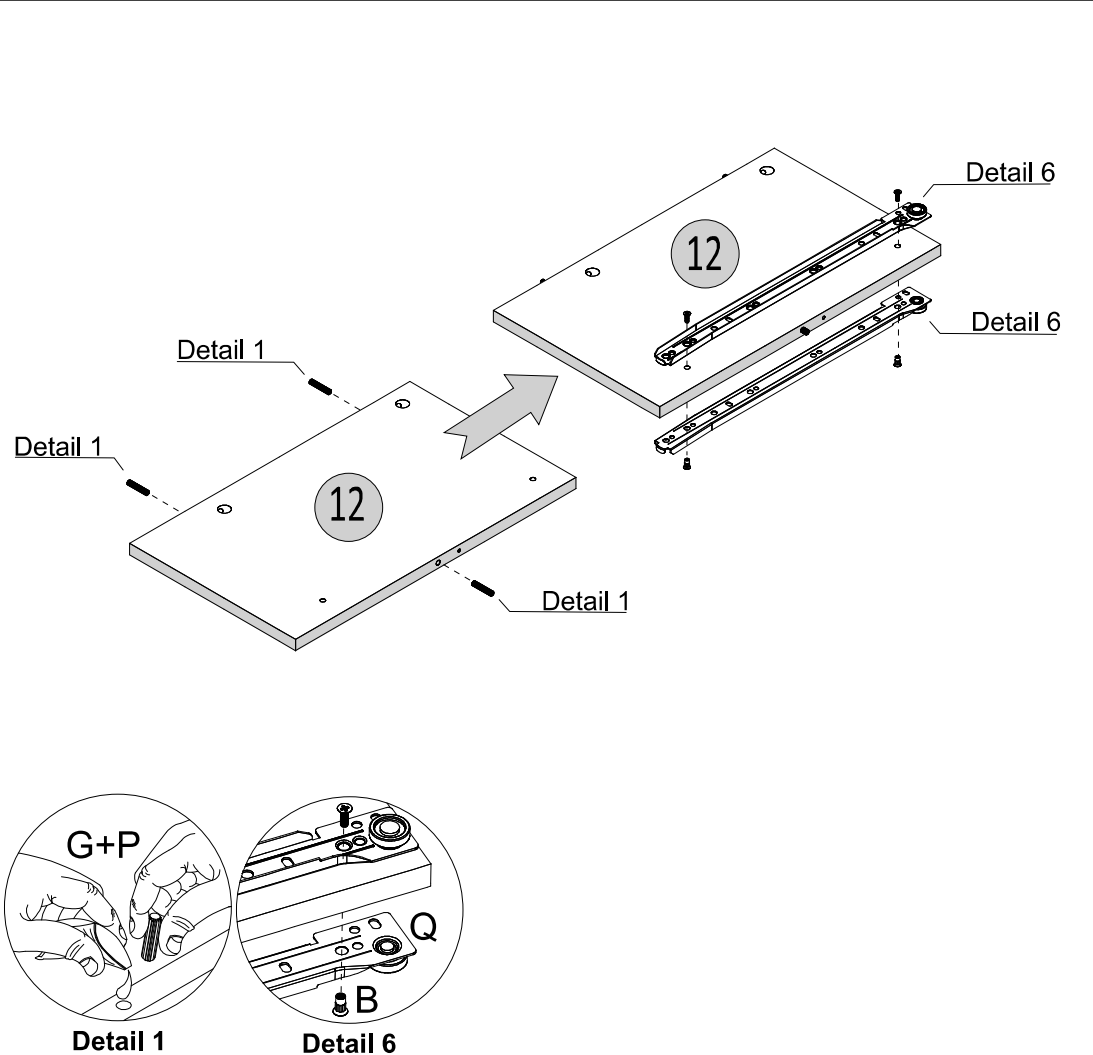
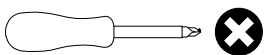
G  03  
Ø6 x 30

P  01  
GLUE

Q  01  
LEFT

Q  01  
RIGHT

## TOOLS REQUIRED





# STEP 7

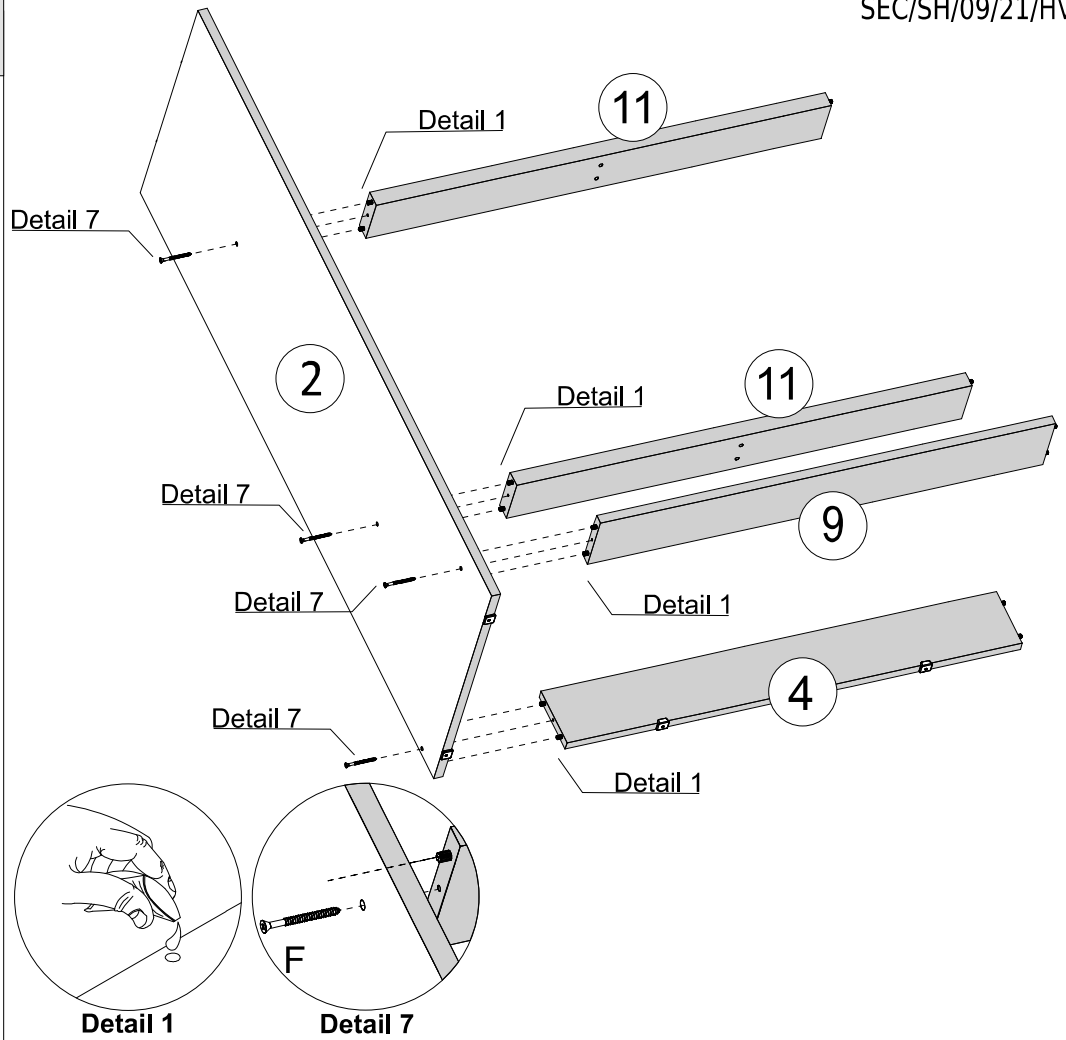
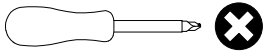
## PARTS REQUIRED

- 2 - RIGHT SIDE PANEL x1
- 4 - FRONT BASEBOARD x1
- 9 - BACK BASEBOARD x1
- 11 - CROSSBAR x2

## HARDWARE REQUIRED

- F  04  
Ø4 x 50
- P  01  
GLUE

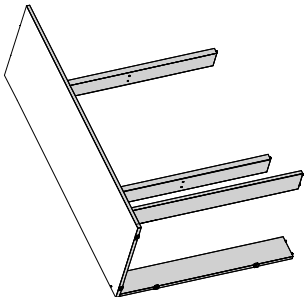
## TOOLS REQUIRED




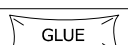
# STEP 8

## PARTS REQUIRED

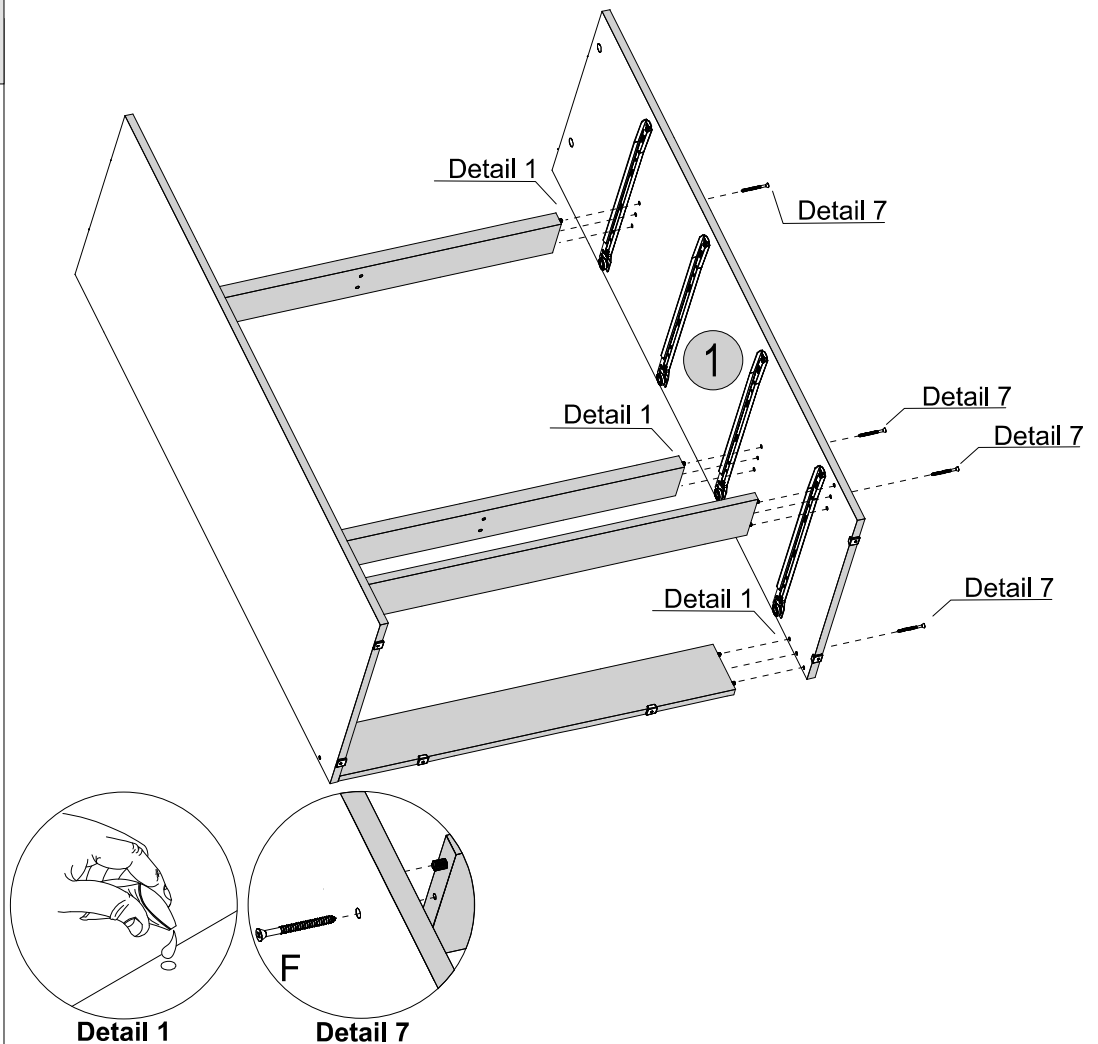
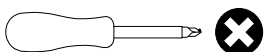
- 1 - LEFT SIDE PANEL x1



## HARDWARE REQUIRED

- F  04  
Ø4 x 50
- P  01  
GLUE

## TOOLS REQUIRED




# STEP 9

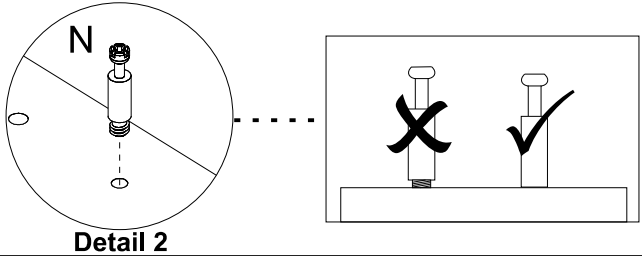
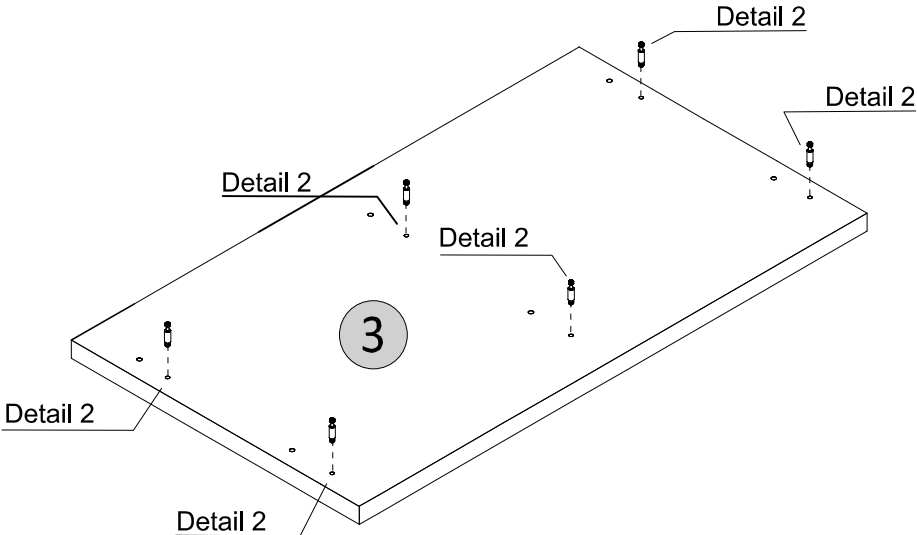
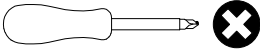
### PARTS REQUIRED

3 - TOP PANEL x1

### HARDWARE REQUIRED

N  06

### TOOLS REQUIRED



Detail 2

# STEP 10

### PARTS REQUIRED

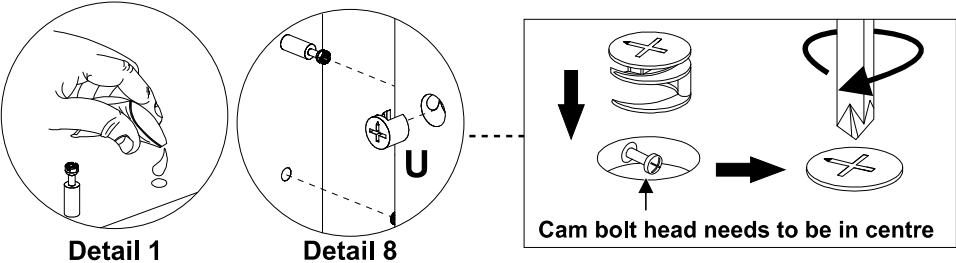
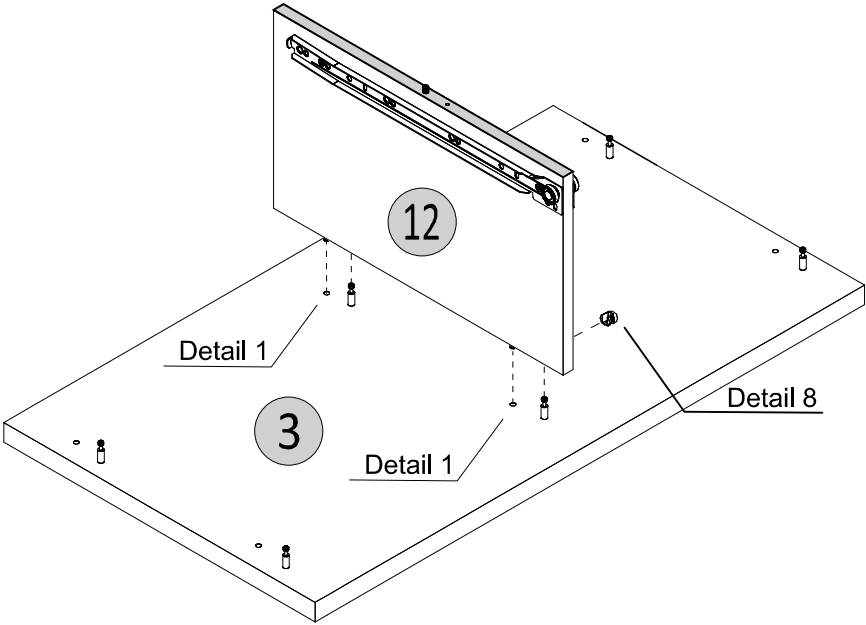
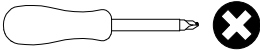
3 - TOP PANEL x1

12 - DIVISION PANEL x1

### HARDWARE REQUIRED

U  02

### TOOLS REQUIRED



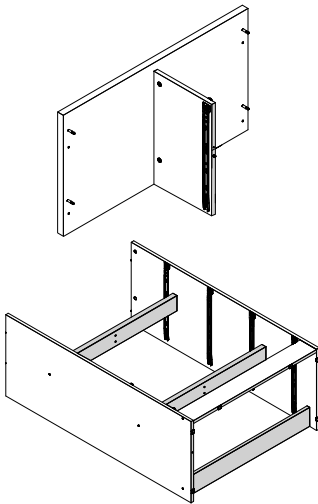
Detail 1

Detail 8


Cam bolt head needs to be in centre

# STEP 11

## PARTS REQUIRED



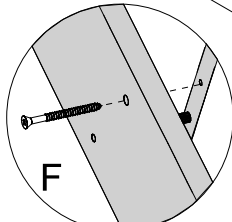
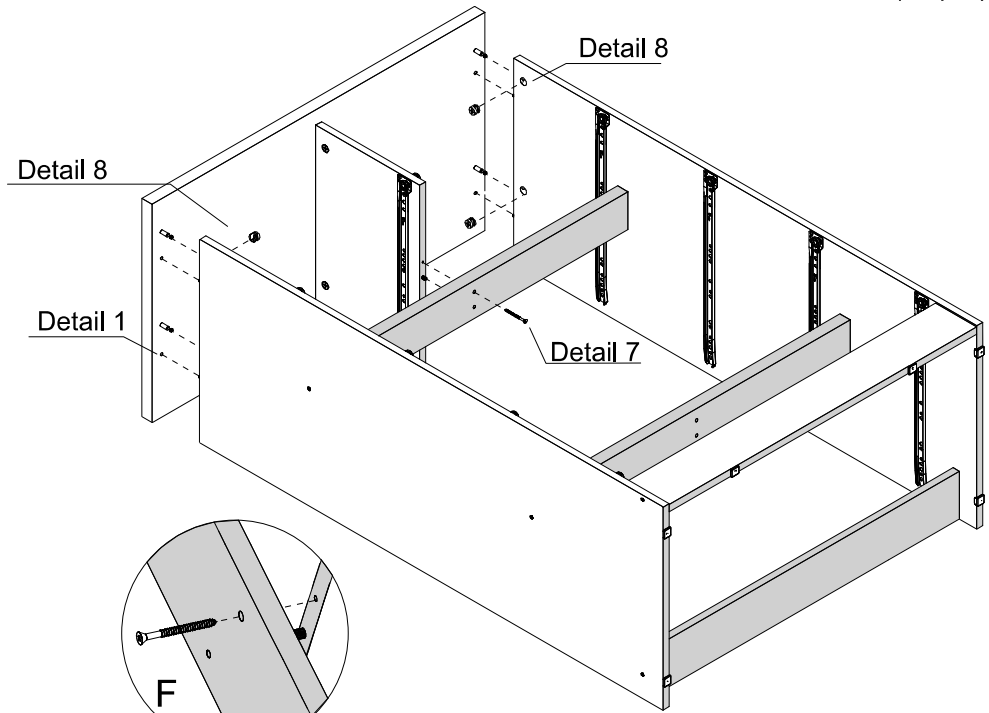
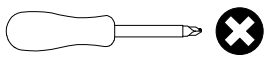
## HARDWARE REQUIRED

F  01  
Ø4 x 50

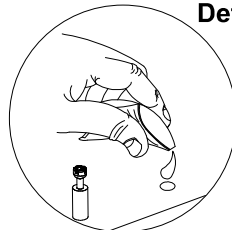
P  01  
GLUE

U  04

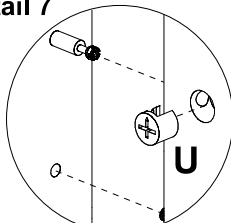
## TOOLS REQUIRED



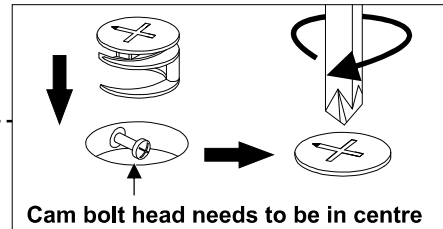
Detail 7



Detail 1



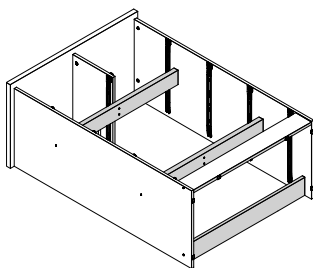
Detail 8




# STEP 12

## PARTS REQUIRED

10 - BACK PANEL x2



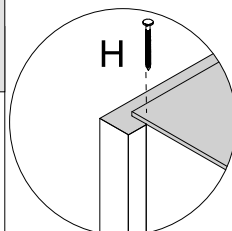
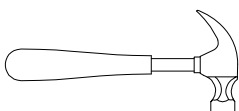
## HARDWARE REQUIRED

H  32

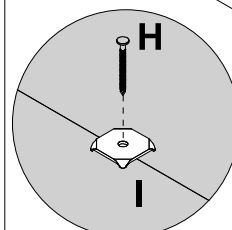
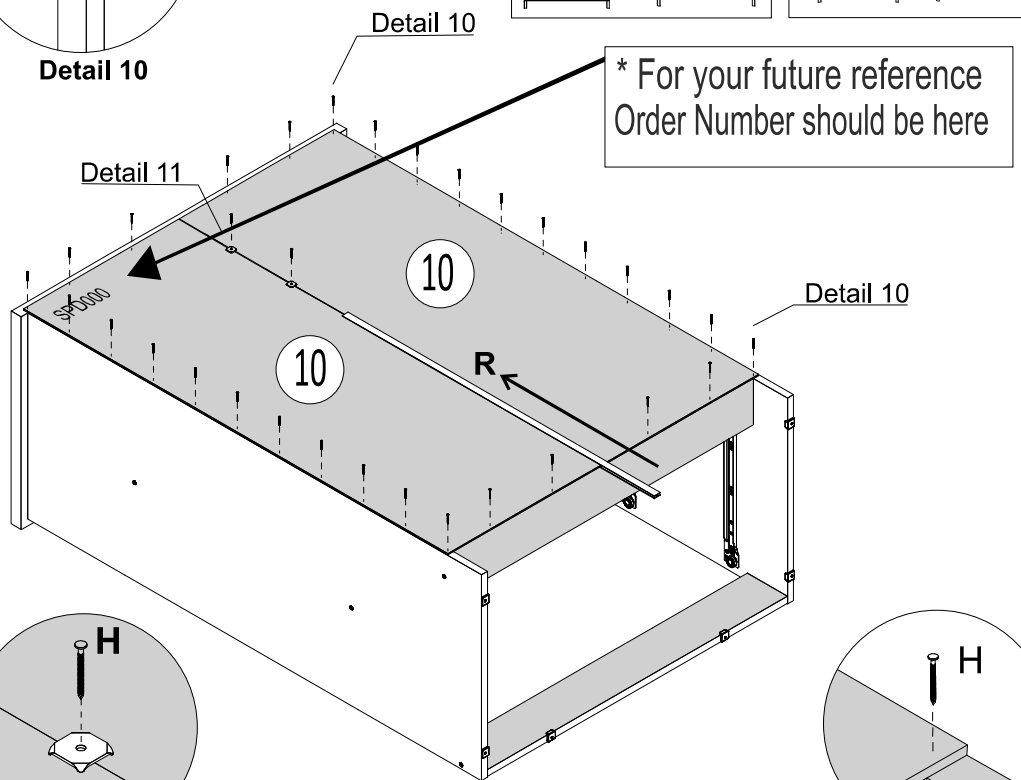
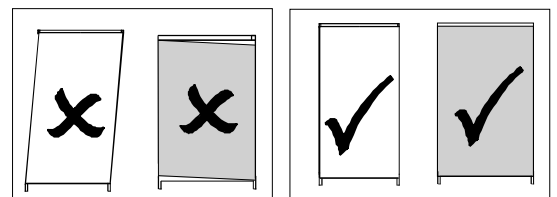
I  02

R  01

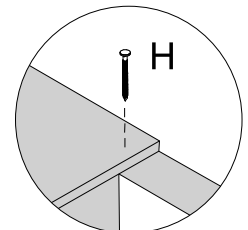
## TOOLS REQUIRED



Detail 10



Detail 11



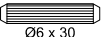

Detail 10

# STEP 13

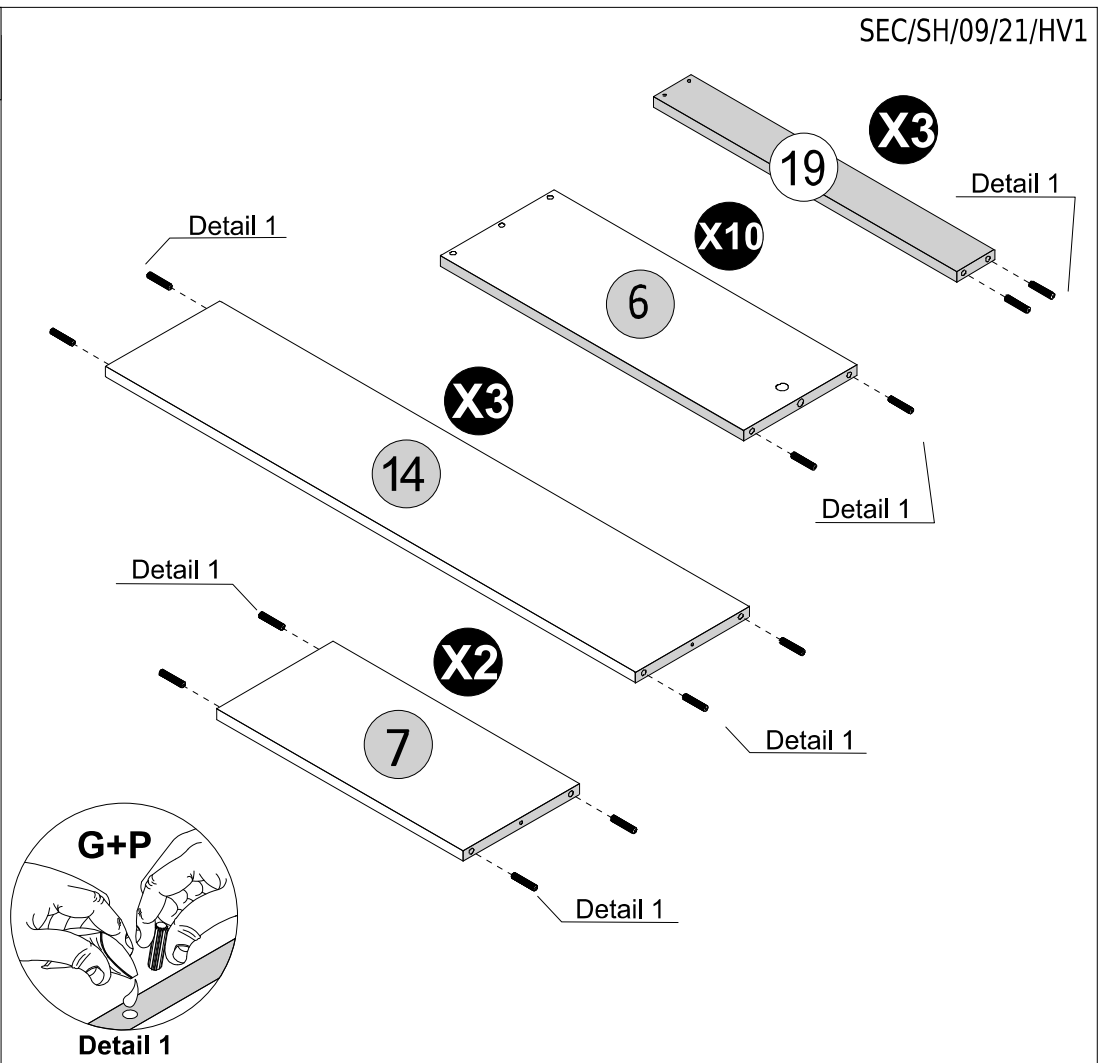
## PARTS REQUIRED

- 6 - DRAWER SIDE x10
- 7 - SMALL DRAWER BACK PANEL x2
- 14 -LARGE DRAWER BACK PANEL x3
- 19 -DRAWER BOTTOM SUPPORT BAR x3

## HARDWARE REQUIRED

- G  46
- P  01

## TOOLS REQUIRED

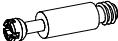


# STEP 14

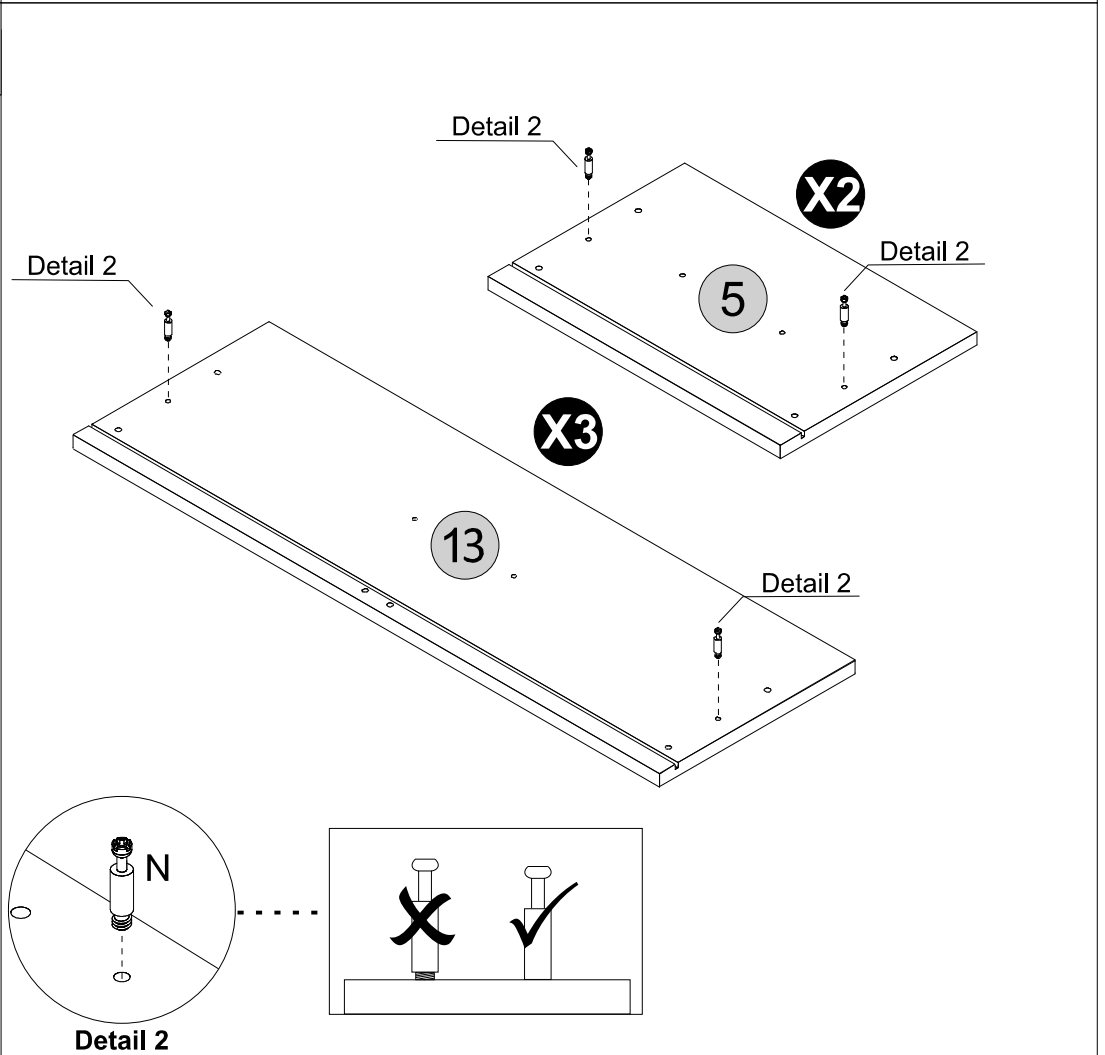
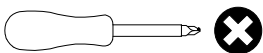
## PARTS REQUIRED

- 13 -LARGE DRAWER FRONT x3
- 5 - SMALL DRAWER FRONT x2

## HARDWARE REQUIRED

- N  10

## TOOLS REQUIRED



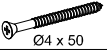
# STEP 15

**PARTS REQUIRED**

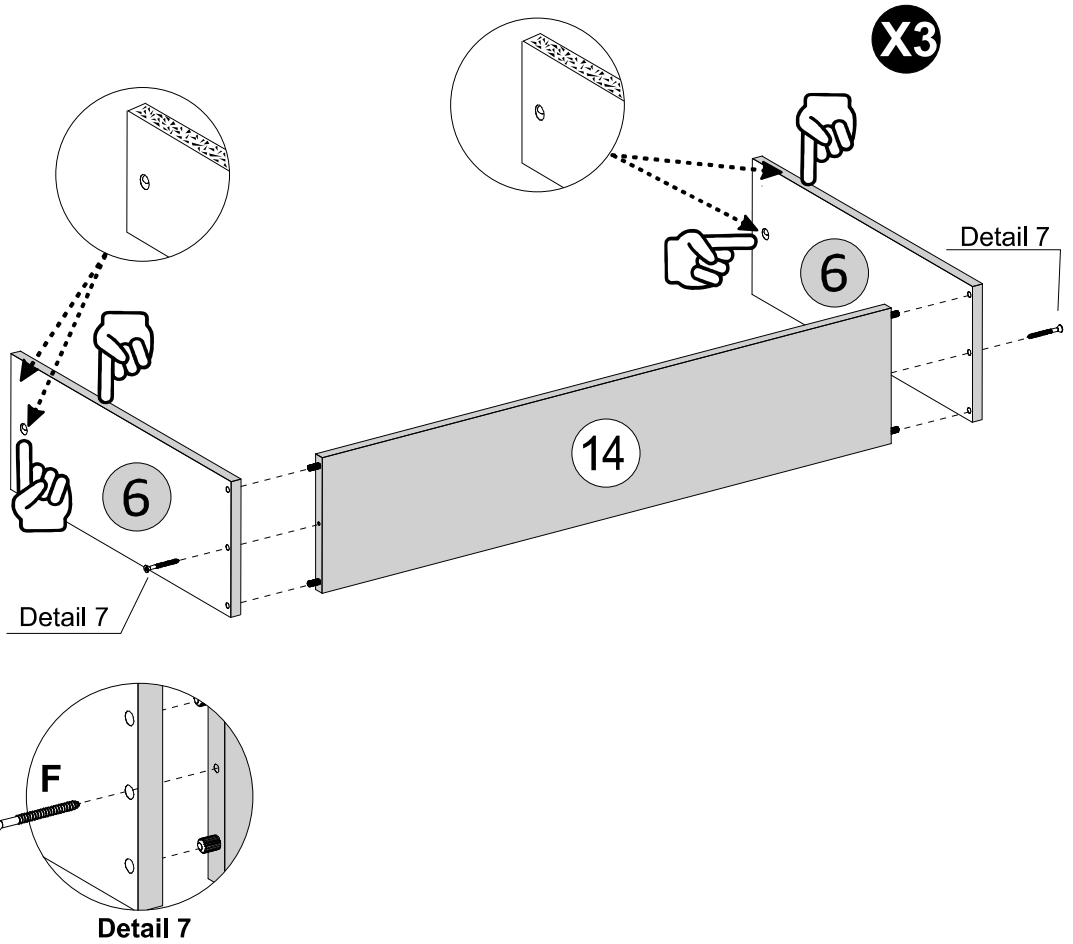
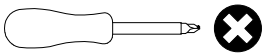
6 - DRAWER SIDE x6

14 - LARGE DRAWER BACK PANEL x3

**HARDWARE REQUIRED**

F  06  
Ø4 x 50

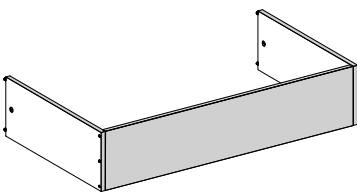
**TOOLS REQUIRED**



# STEP 16

**PARTS REQUIRED**

13 - LARGE DRAWER FRONT x3

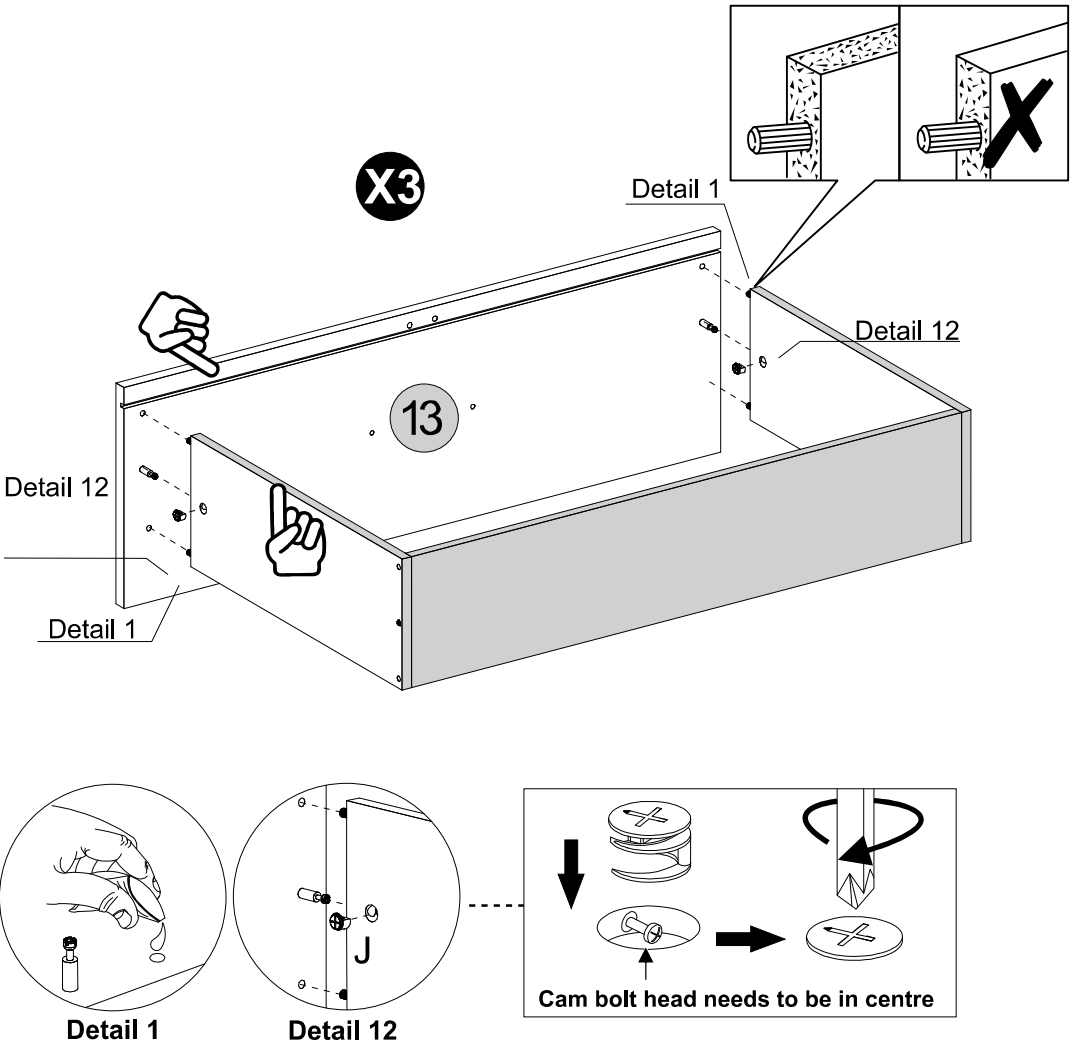
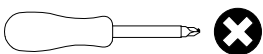


**HARDWARE REQUIRED**

J  06

P  01  
GLUE

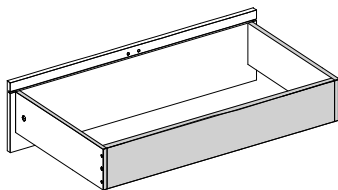
**TOOLS REQUIRED**



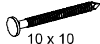
# STEP 17

## PARTS REQUIRED

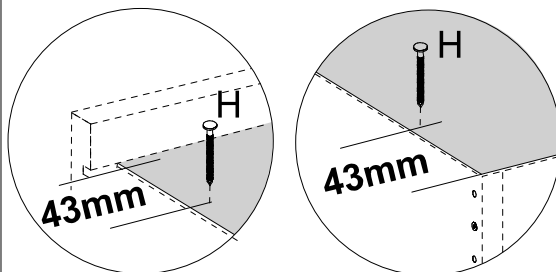
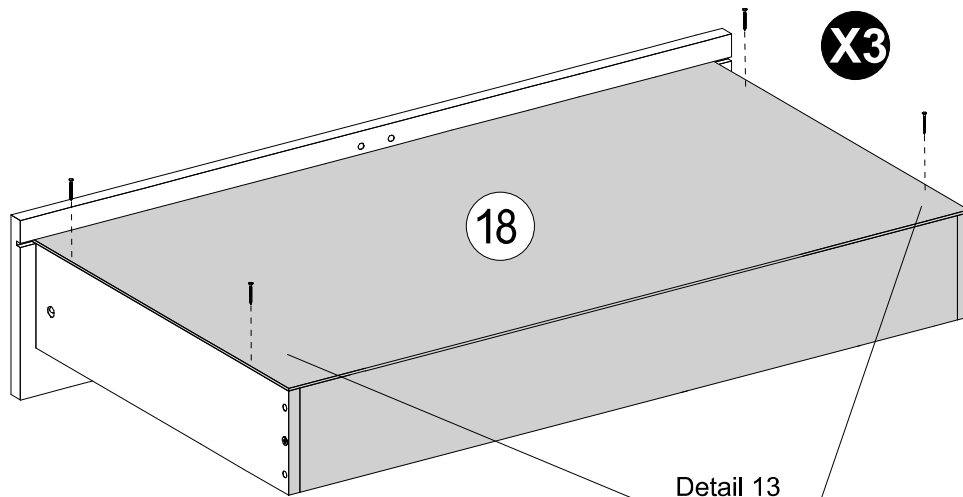
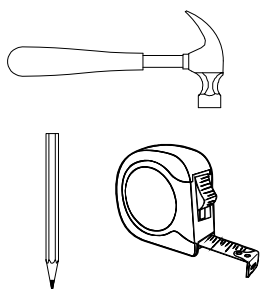
18 -LARGE DRAWER BOTTOM x3



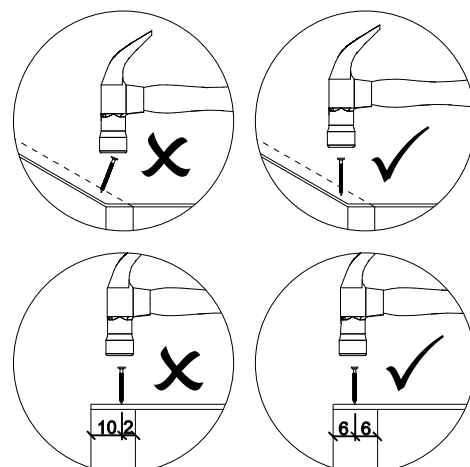
## HARDWARE REQUIRED

H  12

## TOOLS REQUIRED



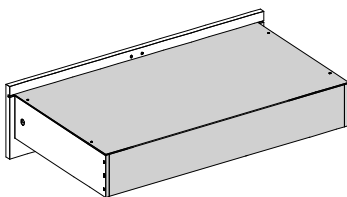
Detail 13



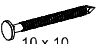
# STEP 18

## PARTS REQUIRED

19 -DRAWER BOTTOM SUPPORT BAR x3

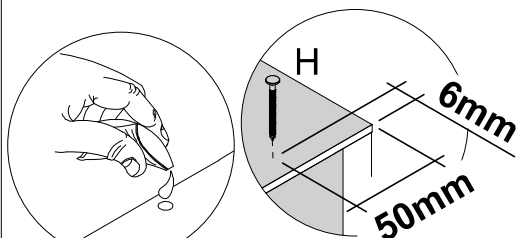
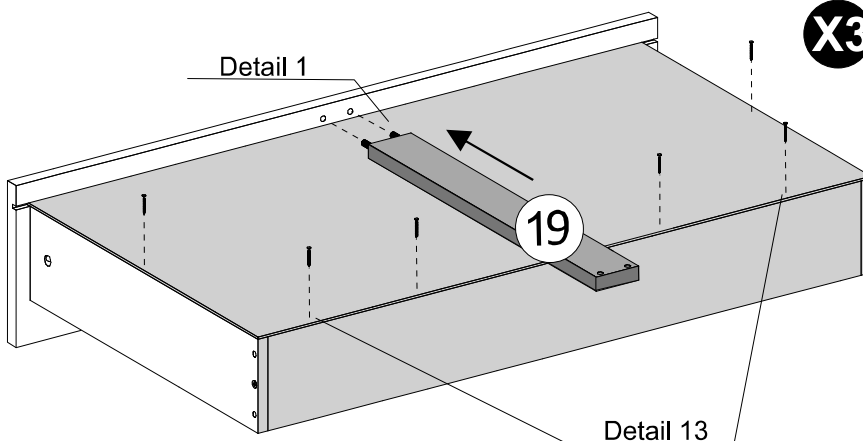
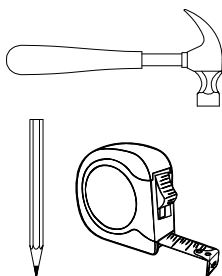


## HARDWARE REQUIRED

H  18

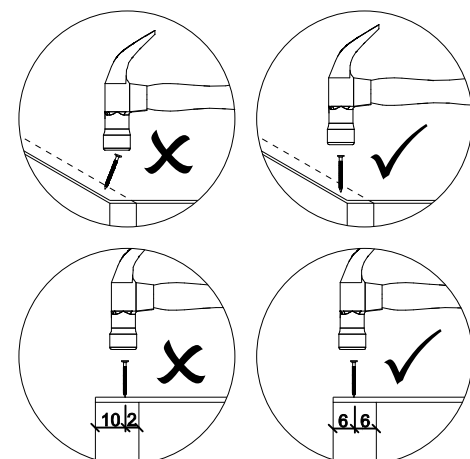
P  01

## TOOLS REQUIRED



Detail 1

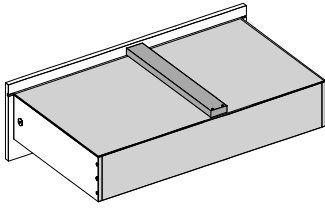
Detail 13



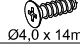
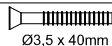


# STEP 19

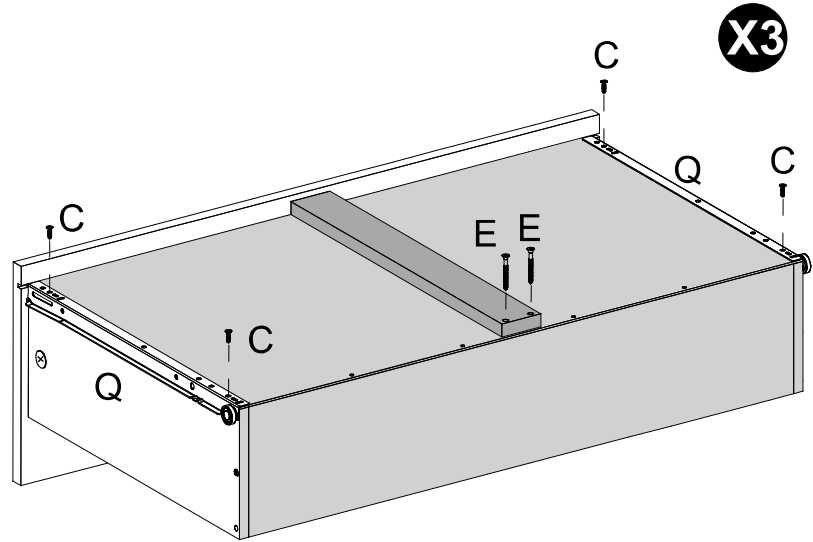
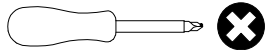
**PARTS REQUIRED**



**HARDWARE REQUIRED**

|   |   |    |
|---|---|----|
| C |  Ø4,0 x 14mm | 12 |
| E |  Ø3,5 x 40mm | 06 |
| Q | LEFT  | 03 |
| Q | RIGHT   | 03 |

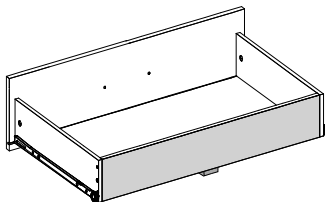
**TOOLS REQUIRED**






**X3**

# STEP 20

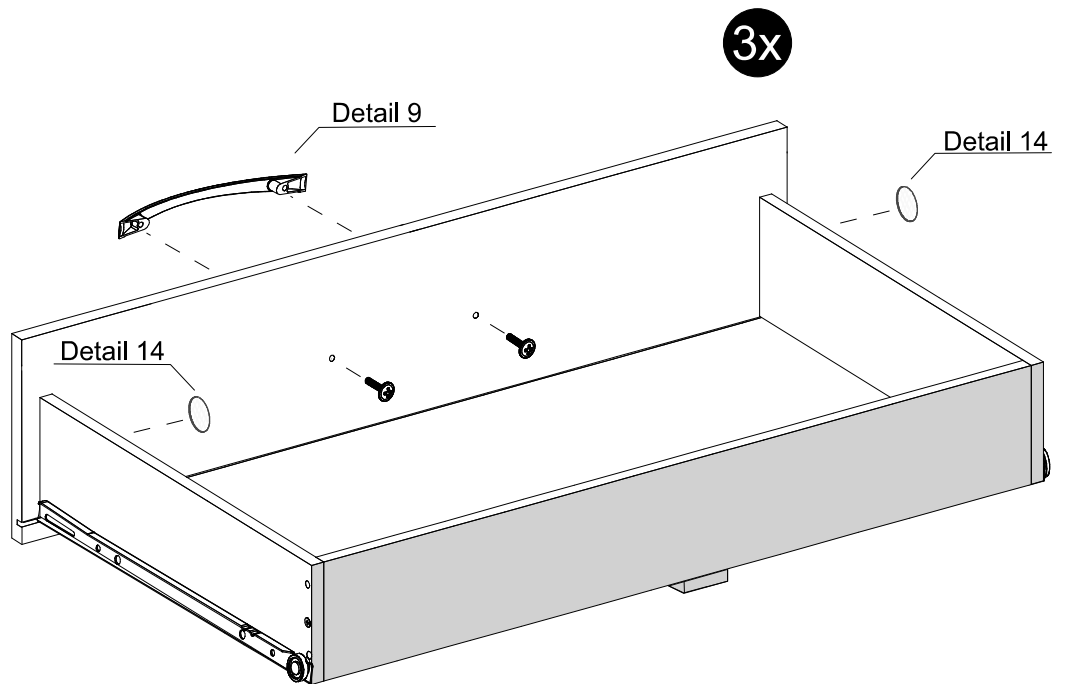
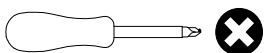
**PARTS REQUIRED**



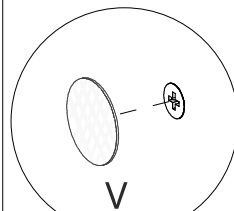
**HARDWARE REQUIRED**

|   |  |    |
|---|--|----|
| D |  4 x 22 | 06 |
| T |         | 03 |
| V |         | 06 |

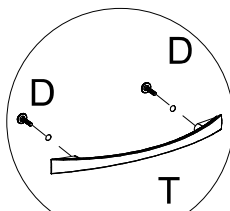
**TOOLS REQUIRED**



**3x**



**Detail 14**



**Detail 9**


# STEP 21

## PARTS REQUIRED

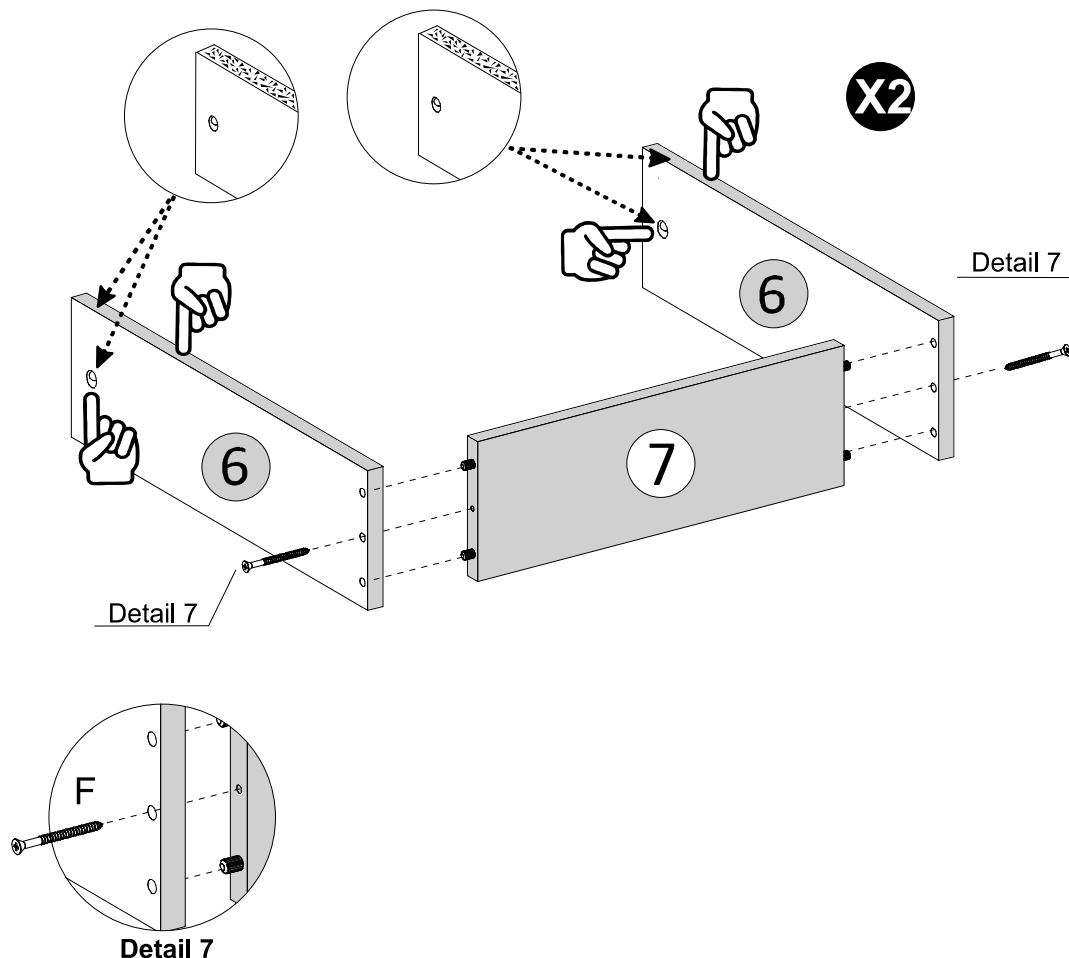
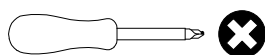
6 - DRAWER SIDE x6

7 - DRAWER BACK PANEL x3

## HARDWARE REQUIRED

F  04  
Ø4 x 50

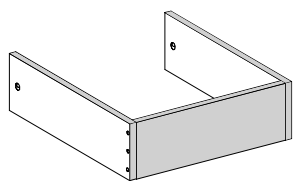
## TOOLS REQUIRED



# STEP 22

## PARTS REQUIRED

5 - SMALL DRAWER FRONT x3

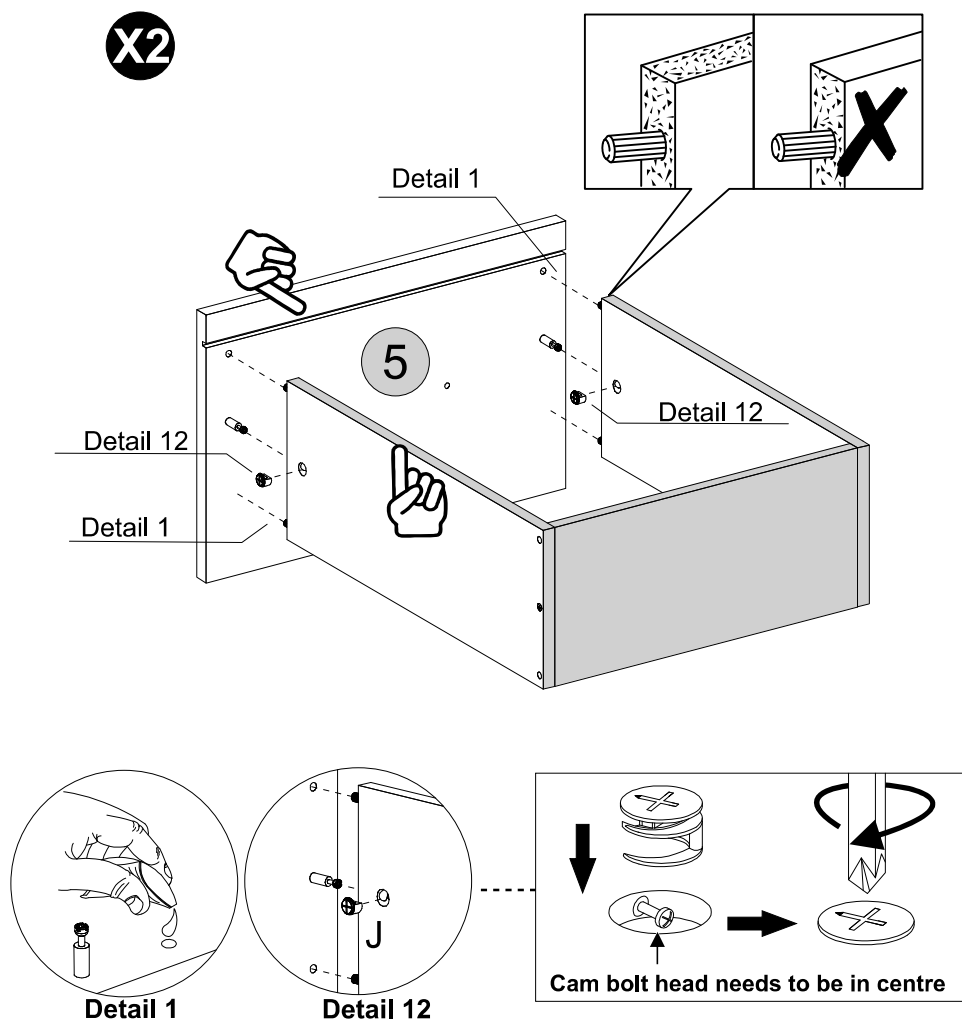
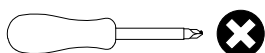


## HARDWARE REQUIRED

J  04

P  01  
GLUE

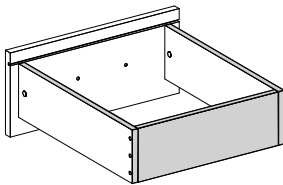
## TOOLS REQUIRED



# STEP 23

## PARTS REQUIRED

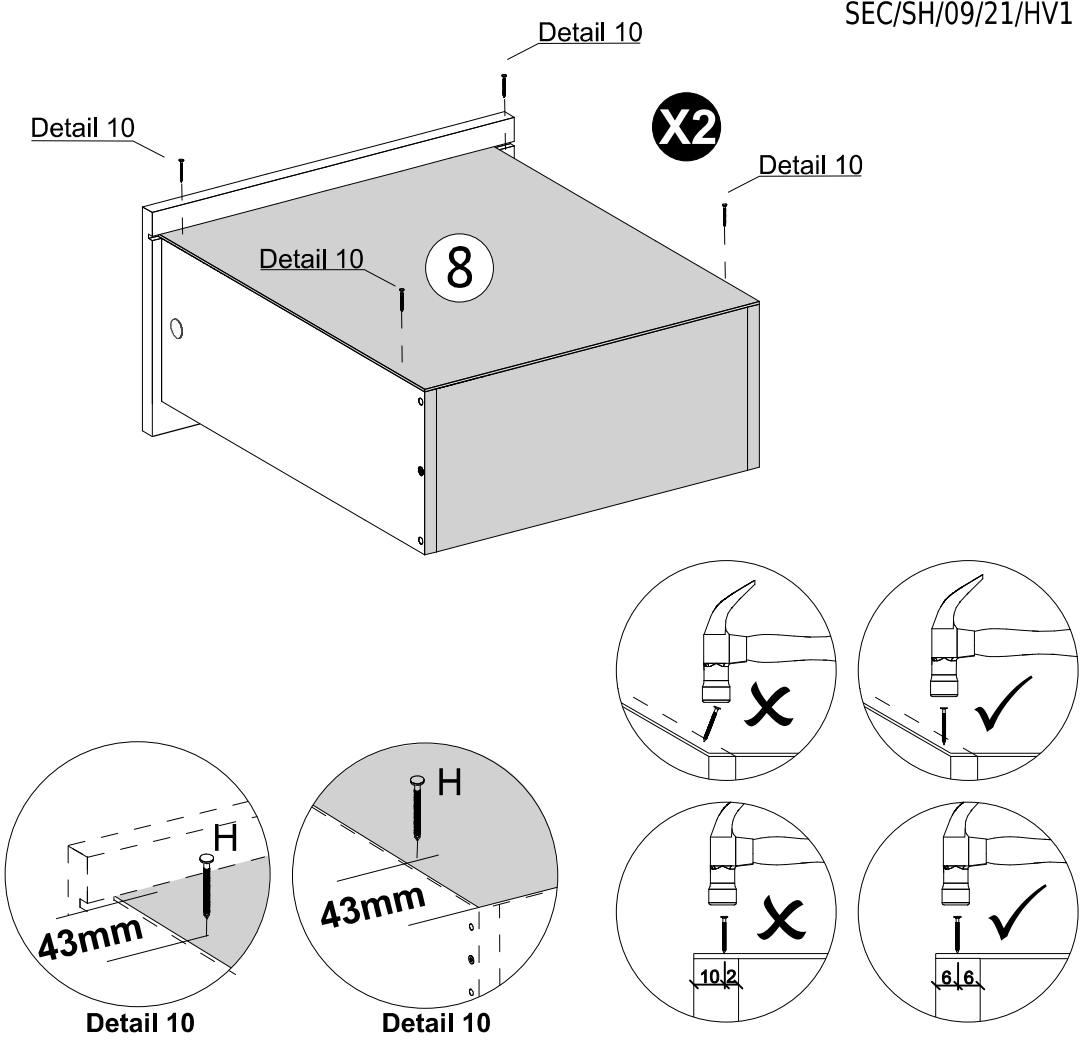
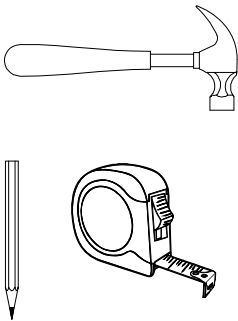
8 - DRAWER BOTTOM x2



## HARDWARE REQUIRED

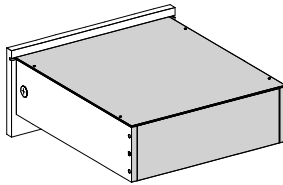
H 10 x 10 08

## TOOLS REQUIRED



# STEP 24

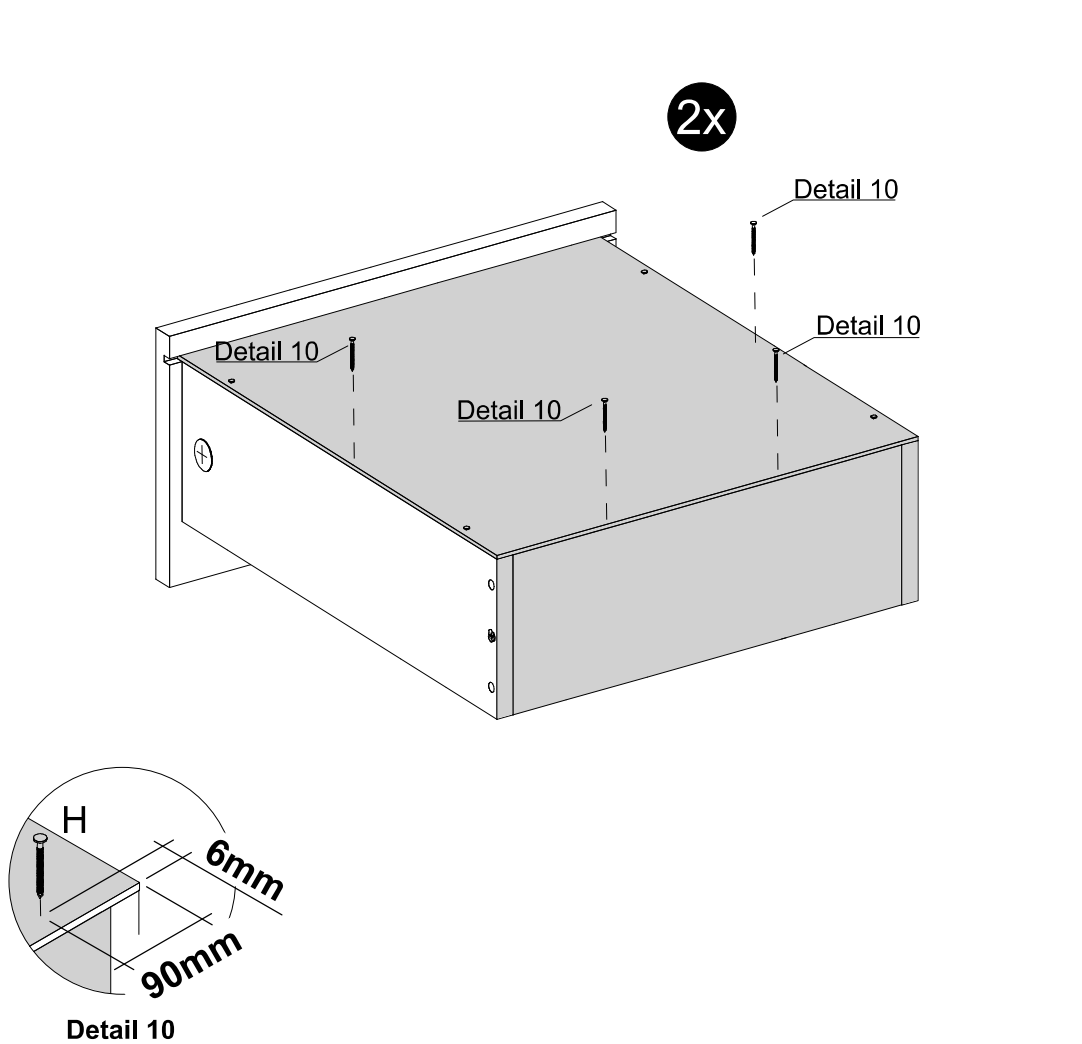
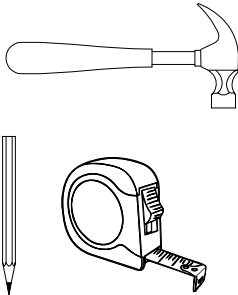
## PARTS REQUIRED



## HARDWARE REQUIRED

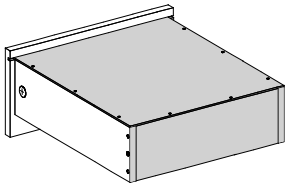
H 10 x 10 08

## TOOLS REQUIRED

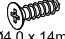


# STEP 25

**PARTS REQUIRED**



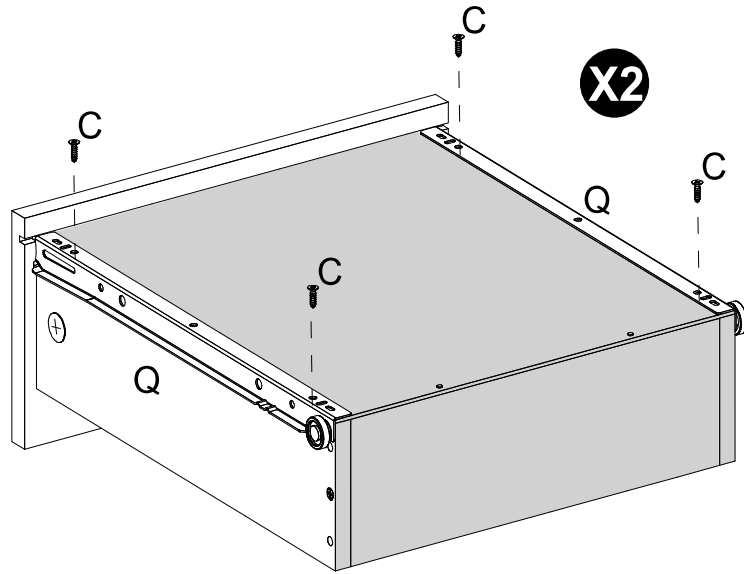
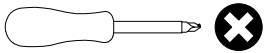
**HARDWARE REQUIRED**

|   |   |    |
|---|---|----|
| C |  Ø4.0 x 14mm | 08 |
|---|---|----|

|   |      |    |
|---|------|----|
| Q | LEFT | 02 |
|---|------|----|

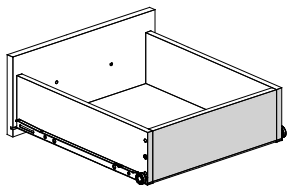
|   |       |    |
|---|-------|----|
| Q | RIGHT | 02 |
|---|-------|----|

**TOOLS REQUIRED**




# STEP 26


**PARTS REQUIRED**



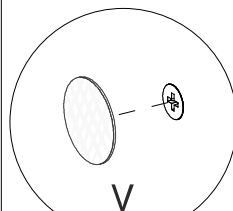
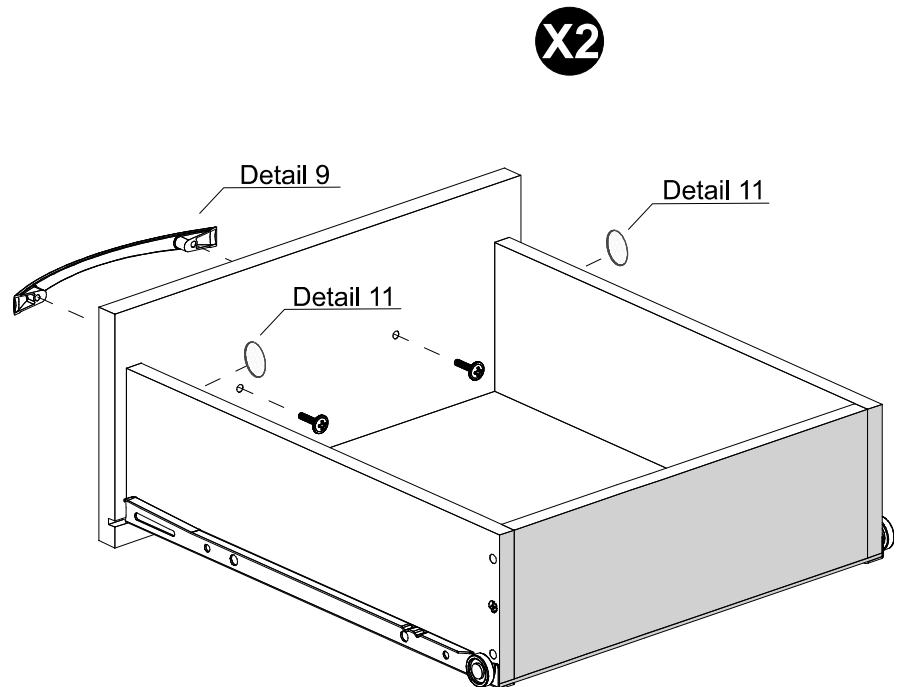
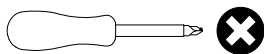
**HARDWARE REQUIRED**

|   |  |    |
|---|--|----|
| D |  4 x 22 | 04 |
|---|--|----|

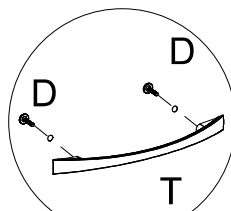
|   |   |    |
|---|---|----|
| V |  | 04 |
|---|---|----|

|   |   |    |
|---|---|----|
| T |  | 02 |
|---|---|----|

**TOOLS REQUIRED**



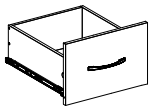
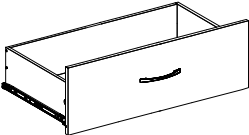
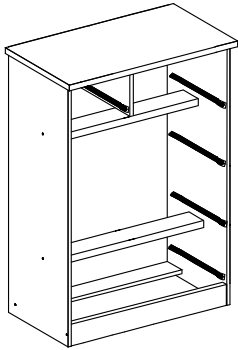
Detail 11



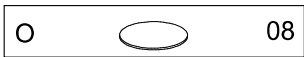
Detail 9

# STEP 27

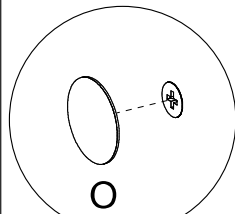
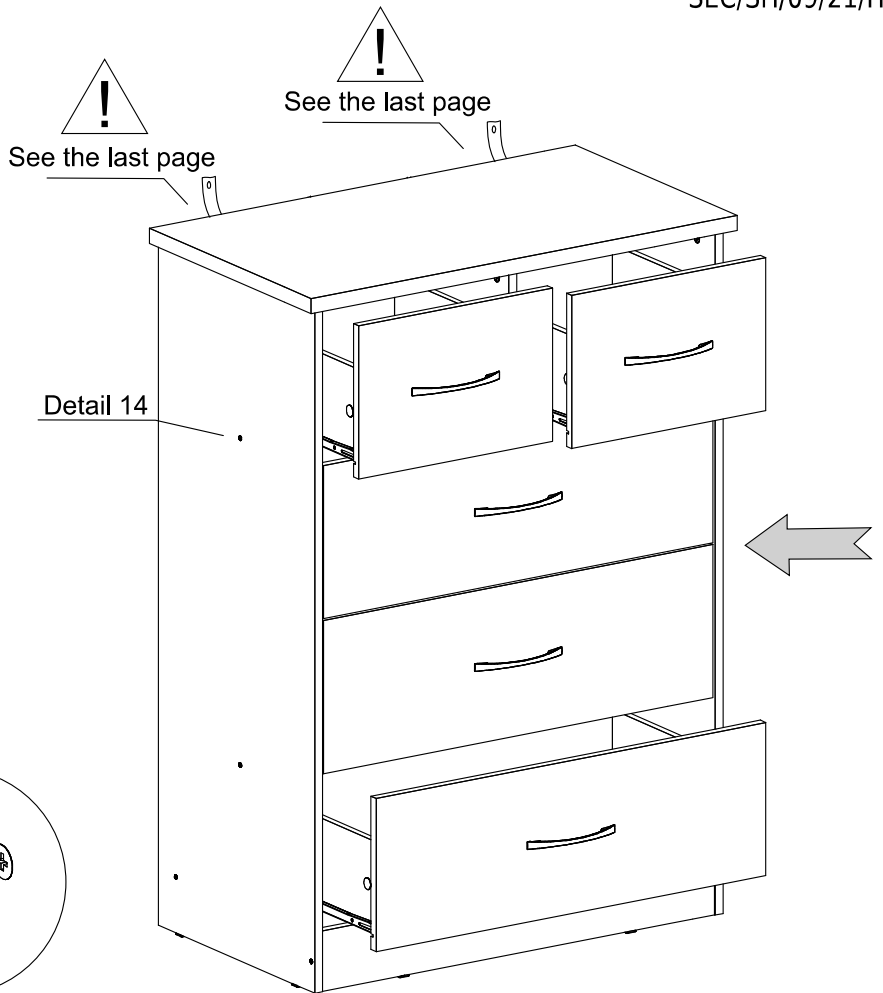
**PARTS REQUIRED**



**HARDWARE REQUIRED**



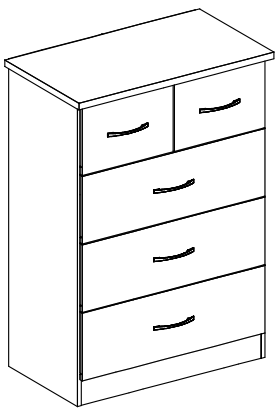
**TOOLS REQUIRED**



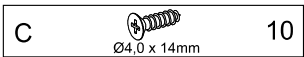
Detail 14

# STEP 28

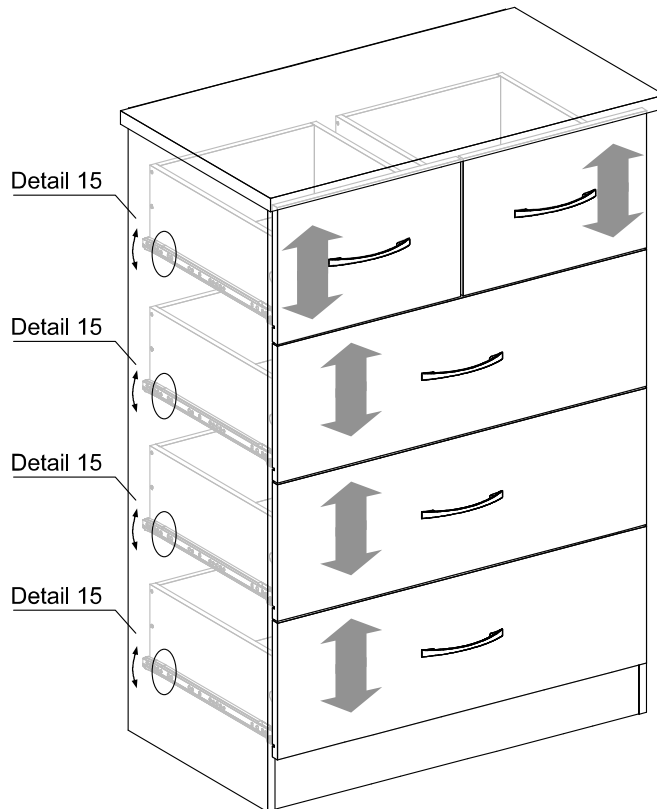
**PARTS REQUIRED**



**HARDWARE REQUIRED**

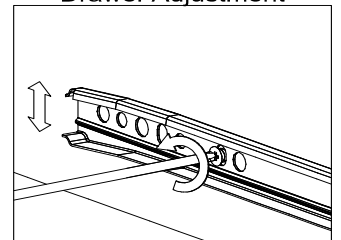


**TOOLS REQUIRED**

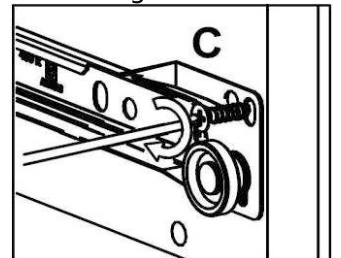


**TIP**  
If desired, after assembly use an alcohol cleaner to erase the number printed on the parts.

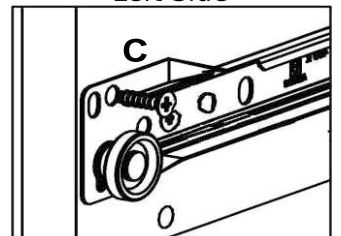
**Drawer Adjustment**



**Right Side**



**Left Side**

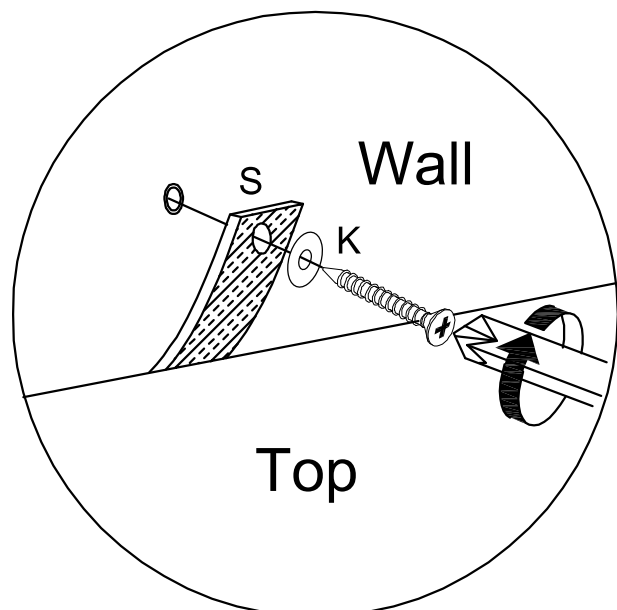
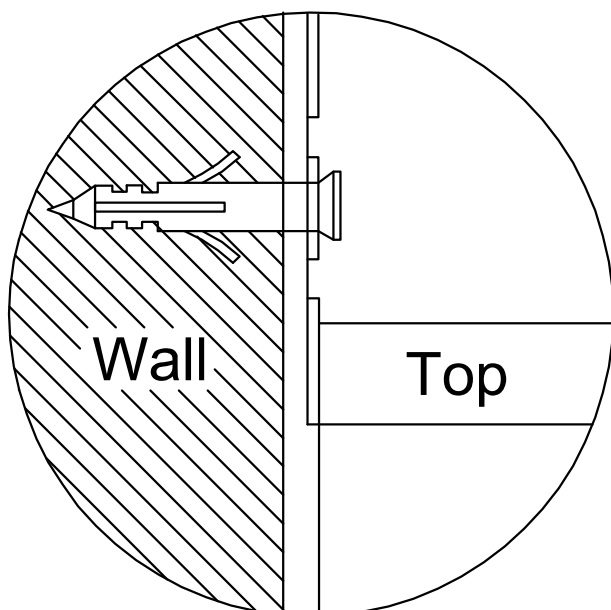
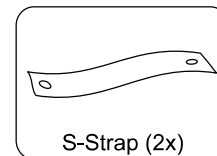
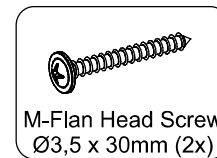
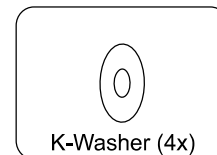
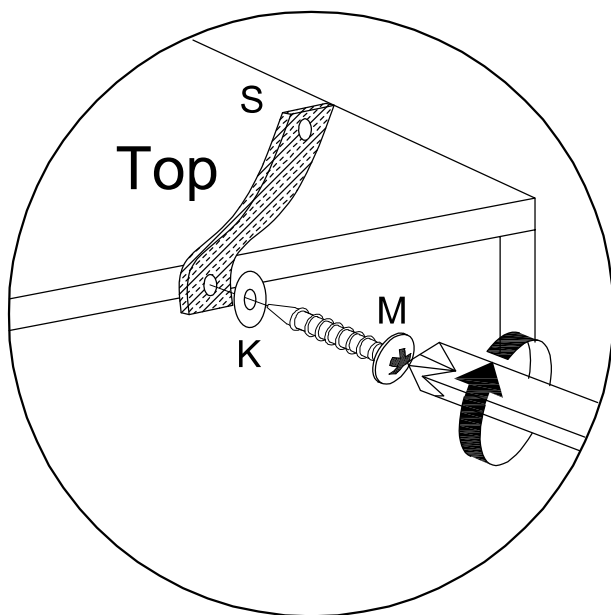


Detail 15

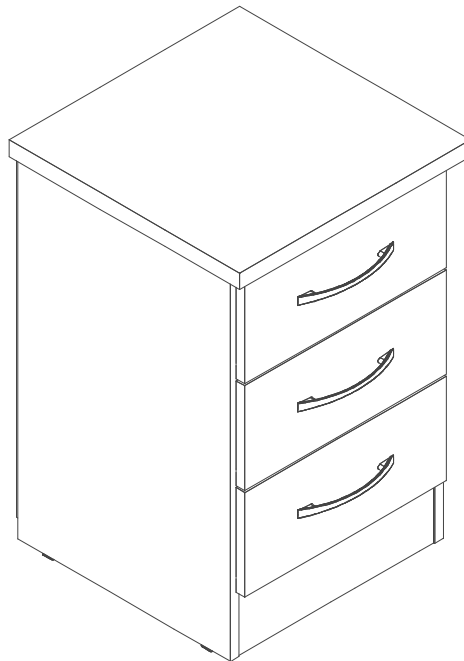
## WARNING

**Serious or fatal injuries can occur from furniture tipping over. To prevent the furniture from tipping over we recommend that it is permanently fixed to the wall.**

Wall fixings are not supplied with this product as different wall materials require different types of fixing devices. Please make sure you use fixings suitable for the walls in your home.



# NEVADA 3 DRAWER BEDSIDE ASSEMBLY INSTRUCTIONS

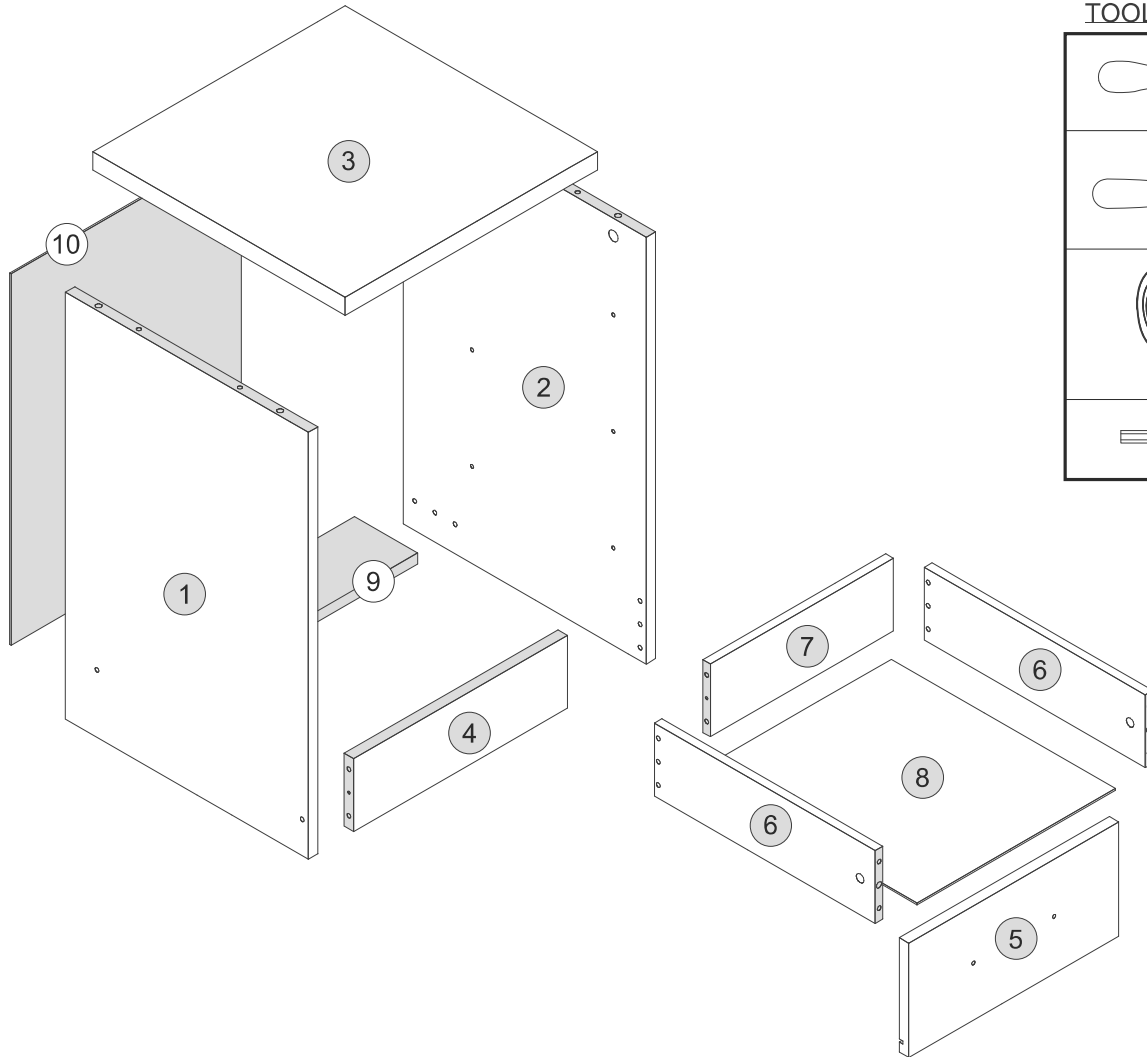


## **IMPORTANT FOR DOMESTIC USE ONLY**

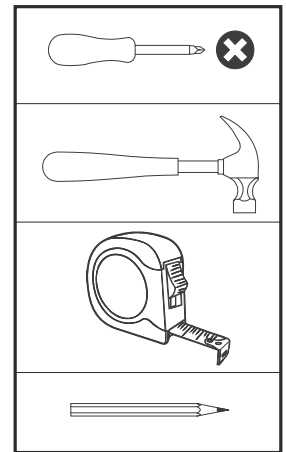
**PLEASE READ BEFORE YOU CONTINUE FURTHER**

## **CARE AND MAINTENANCE**

- After unpacking this product please keep the original packaging in case it needs to be returned for any reason.
- Please ensure all fittings and parts are present before commencing with assembly.
  - Never drag or push products as this could cause damage to the joints making it inferior.
  - We strongly recommend that you keep children away from your work area.
  - We recommend that you lay a blanket or sheet on the floor to avoid damage to both your floor and the product.
  - Assemble this product as close to its final position as possible.
  - Do not place this product next to a radiator or in direct sunlight.
  - Do not drag or push items across your high gloss furniture as this may cause the surface to scratch
  - Wood is a natural product and may expand if subjected to damp and may shrink or crack if subjected to heat. Therefore it is recommended that room temperature is maintained, with no sudden temperature fluctuations.
  - Make sure any spillage is wiped off immediately.
  - Do not place hot or chilled items directly on to the surface, use a place mat or marking will occur.
  - For general cleaning use a soft cotton or micro fibre cloth, and do not use detergents of any kind.
  - From time to time it may be necessary to tighten fittings, regular inspections should be carried out.
  - Do not place on a wet or damp floor as staining may occur to your floor.



**TOOLS REQUIRED**



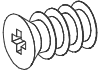
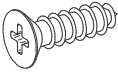
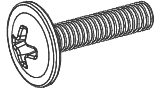

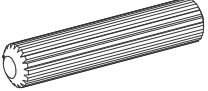

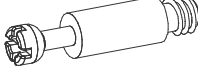
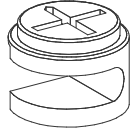
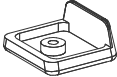



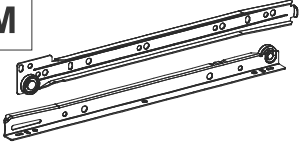
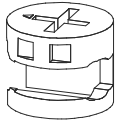
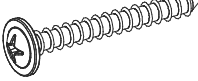



**PARTS LIST**

**Please Note:**  
The below parts have all been stamped with the part number to help identify them during assembly.

| <b>Part Number</b> | <b>Part Description</b> | <b>Quantity</b> | <b>Carton</b> |
|--------------------|-------------------------|-----------------|---------------|
| 01                 | Left Side Panel         | 1               | 1/1           |
| 02                 | Right Side Panel        | 1               | 1/1           |
| 03                 | Top Panel               | 1               | 1/1           |
| 04                 | Front Baseboard         | 1               | 1/1           |
| 05                 | Drawer Front            | 3               | 1/1           |
| 06                 | Drawer Side             | 6               | 1/1           |
| 07                 | Drawer Back Panel       | 3               | 1/1           |
| 08                 | Drawer Bottom           | 3               | 1/1           |
| 09                 | Back Baseboard          | 1               | 1/1           |
| 10                 | Back Panel              | 1               | 1/1           |




## FITTINGS LIST

|  |  |  |  |
|--|--|--|--|
| <p><b>A</b></p>  <p>Flat Head Screw<br/>2/+ Ø6,0 x 10mm (12x)</p> | <p><b>B</b></p>  <p>Flat Head Screw<br/>2/+ Ø4,0 x 14mm (18x)</p> | <p><b>C</b></p>  <p>Flan Head Screw<br/>Ø4,0 x 20mm (6x)</p>     | <p><b>D</b></p>  <p>Flat Head Screw<br/>1/+ Ø4,0 x 50mm (10x)</p> |
| <p><b>E</b></p>  <p>2/+ Dowel Ø6,0 x 30mm (36x)</p>               | <p><b>F</b></p>  <p>2/+ Nail 10x10 Ringed-1,5x23mm (42x)</p>      | <p><b>G</b></p>  <p>2/+ Cam Bolt (10x)</p>                       | <p><b>H</b></p>  <p>1/+ Cam Nut Ø12x8 8mm (6x)</p>                |
| <p><b>I</b></p>  <p>1/+ Plastic Foot L 19x17x8mm Ø2 (4x)</p>      | <p><b>J</b></p>  <p>2/+ Hole Plugs 19mm (4x)</p>                  | <p><b>K</b></p>  <p>Glue 10 Gr (2x)</p>                          | <p><b>L</b></p>  <p>Handle (3x)</p>                               |
| <p><b>M</b></p>  <p>Drawer Runners 350mm (3x)</p>                 | <p><b>N</b></p>  <p>1/+ Cam Nut Ø14,9x11 mm (4x)</p>              | <p><b>O</b></p>  <p>Flan Head Screw<br/>1/+ Ø3,5 x 30mm (1x)</p> | <p><b>P</b></p>  <p>Strap 200x20x1MM (1x)</p>                     |
| <p><b>Q</b></p>  <p>1/+ Washer Ø16x7 (2x)</p>                    | <p><b>R</b></p>  <p>+1/2 Hole Plugs Lineo 19mm (6x)</p>          |  |  |


## TIPS FOR FITTINGS CAM-LOCKS

WHEN FITTING CAM NUT. ENSURE STARTING POSITION IS CORRECT BEFORE YOU INSERT CONNECTING CAM BOLT TURN CLOCKWISE UNTIL SECURE



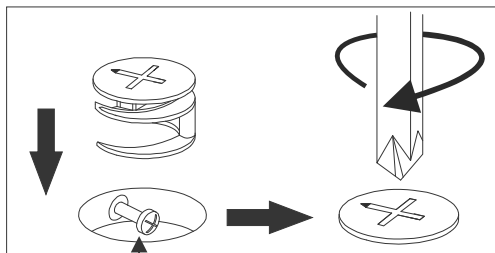
↑

**CORRECT**



↑

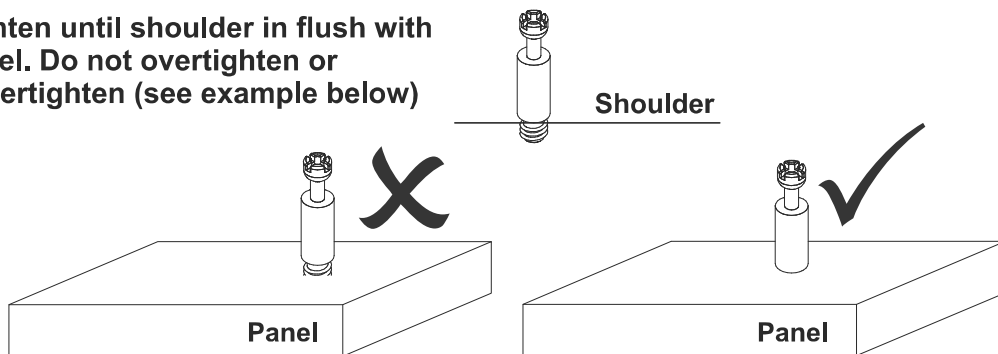
**WRONG**



Cam bolt head needs to be in centre

### CAMBOLT

**Tighten until shoulder in flush with panel. Do not overtighten or undertighten (see example below)**

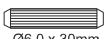



# STEP 1

### PARTS REQUIRED

1 - LEFT SIDE PANEL x1

### HARDWARE REQUIRED

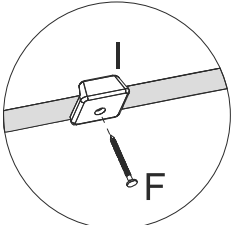
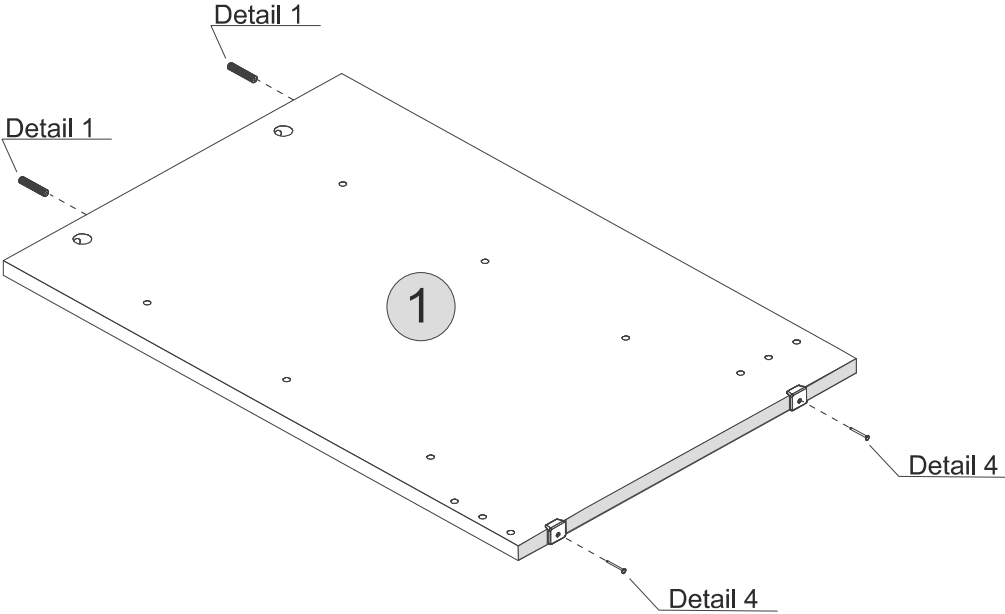
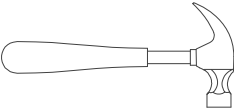
E  02  
Ø6,0 x 30mm

F  02  
10 x 10

I  02

K  01

### TOOLS REQUIRED



Detail 1


Detail 4

# STEP 2

### PARTS REQUIRED

2 - RIGHT SIDE PANEL x1

### HARDWARE REQUIRED

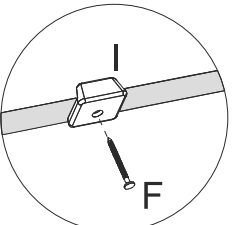
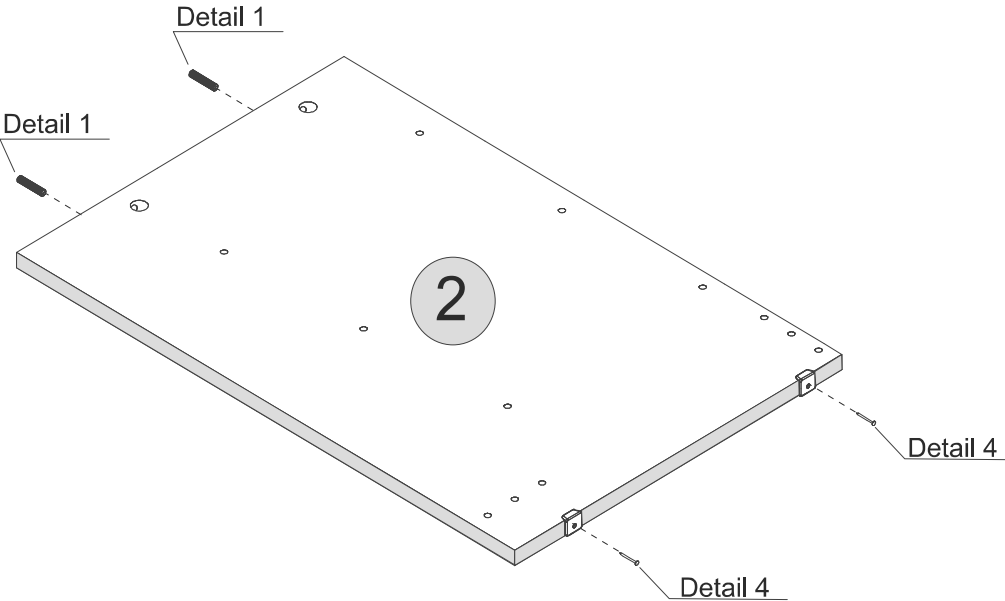
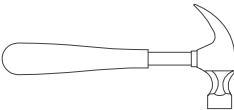
E  02  
Ø6,0 x 30mm

F  02  
10 x 10

I  02

K  01

### TOOLS REQUIRED



Detail 1


Detail 4


# STEP 3

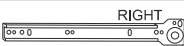
## PARTS REQUIRED

2 - RIGHT SIDE PANEL x1

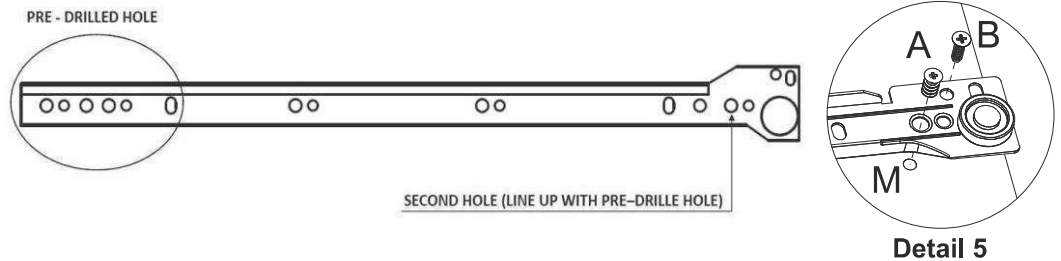
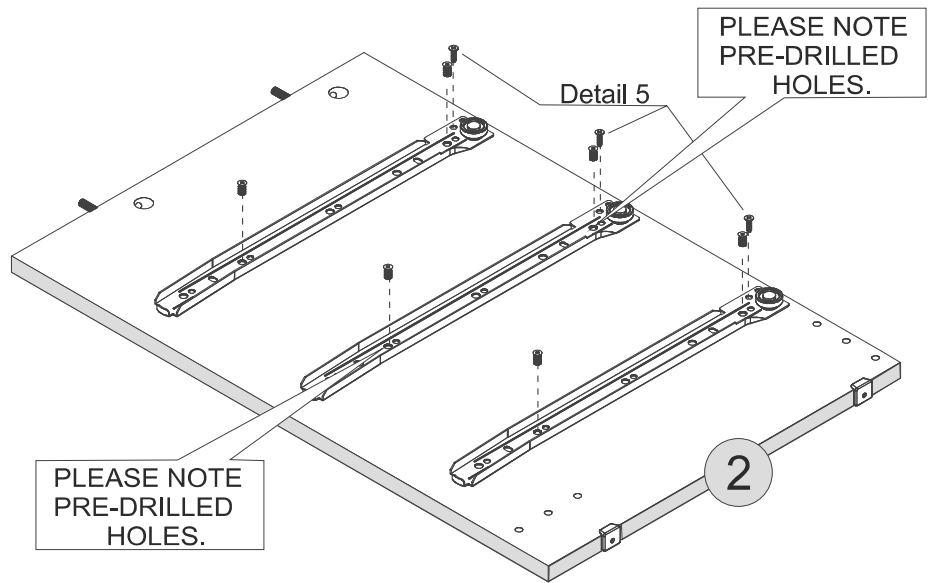
## HARDWARE REQUIRED

A  06  
Ø6.0 x 10mm

B  03  
Ø4.0 x 14mm

M  03  
RIGHT

## TOOLS REQUIRED




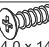
# STEP 4

## PARTS REQUIRED

1 - LEFT SIDE PANEL x1

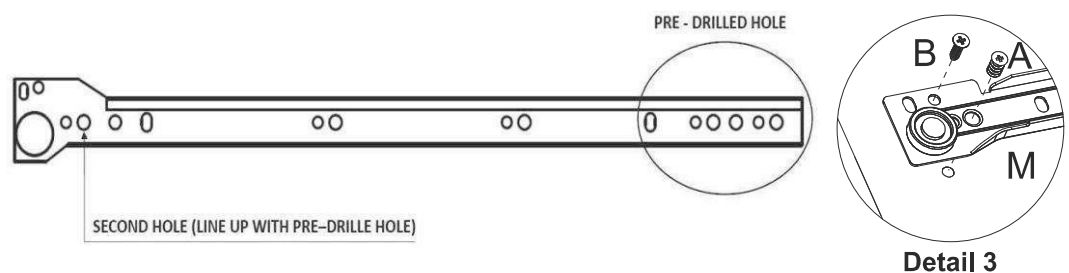
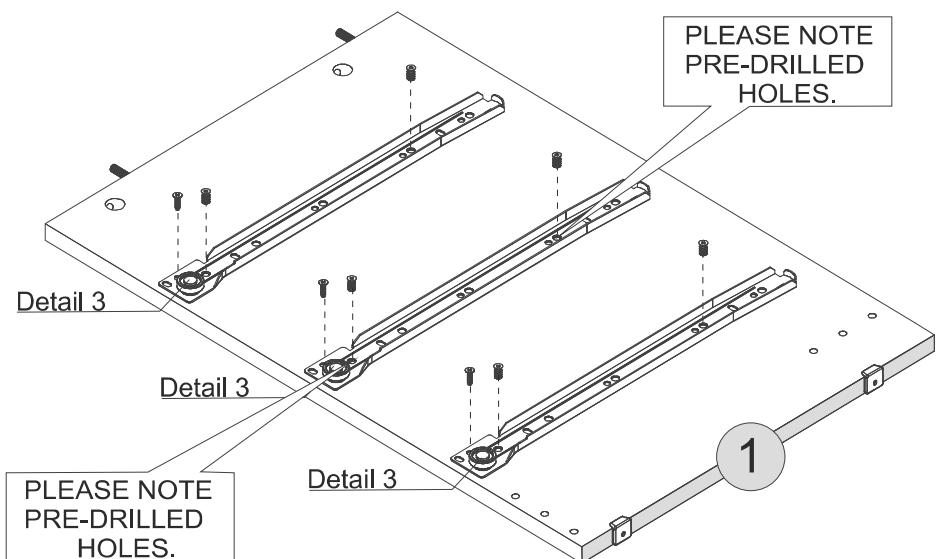
## HARDWARE REQUIRED

A  06  
Ø6.0 x 10mm

B  03  
Ø4.0 x 14mm

M  03  
LEFT

## TOOLS REQUIRED



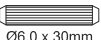
# STEP 5

## PARTS REQUIRED

9 - BACK BASEBOARD x1

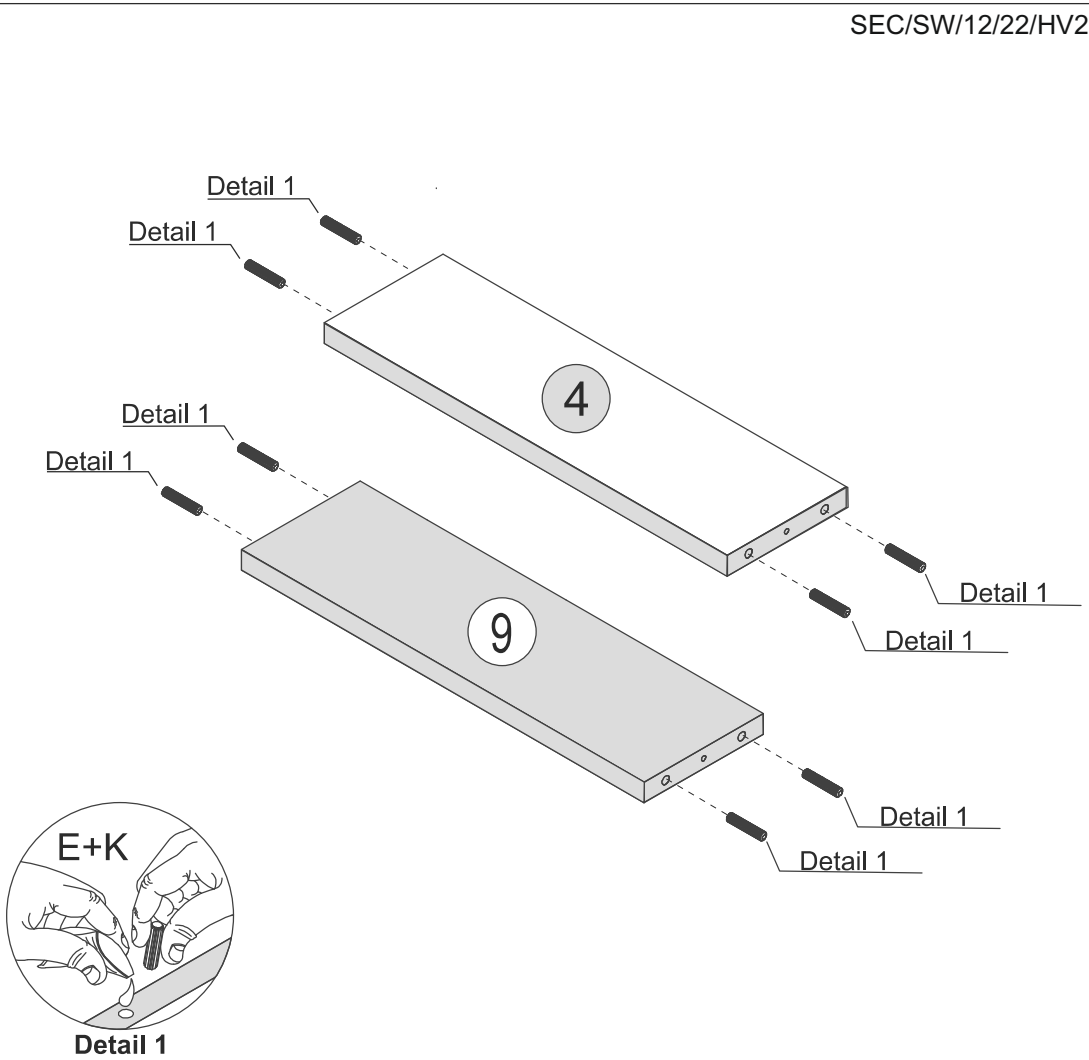
4 - FRONT BASEBOARD x1

## HARDWARE REQUIRED

E  08  
Ø6,0 x 30mm

K  01  
GLUE

## TOOLS REQUIRED



Detail 1

# STEP 6

## PARTS REQUIRED

2 - RIGHT SIDE PANEL x1

9 - BACK BASEBOARD x1

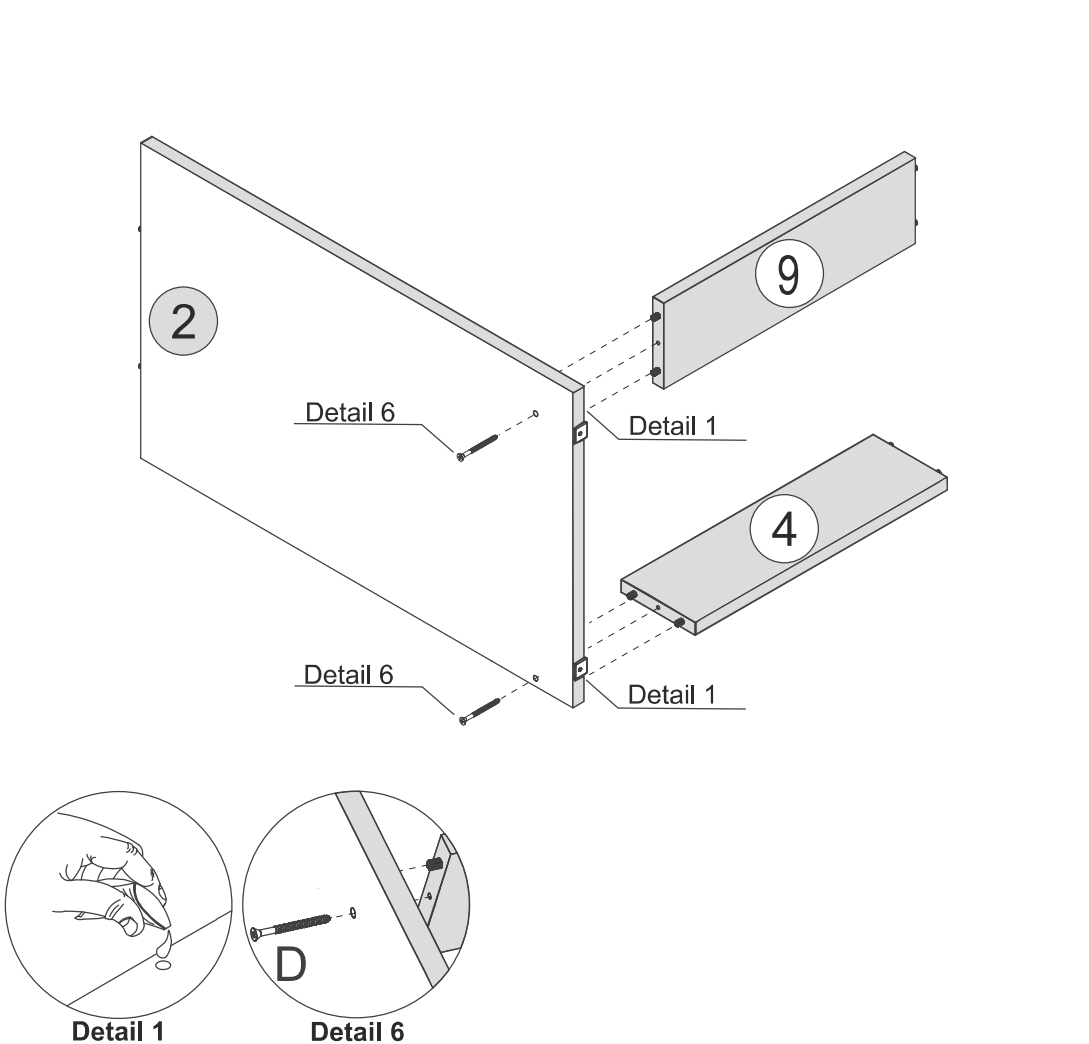
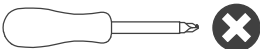
4 - FRONT BASEBOARD x1

## HARDWARE REQUIRED

D  02  
Ø4 x 50mm

K  01  
GLUE

## TOOLS REQUIRED



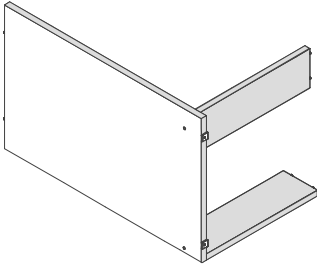
Detail 1

Detail 6

# STEP 7

## PARTS REQUIRED

1 - LEFT SIDE PANEL x1

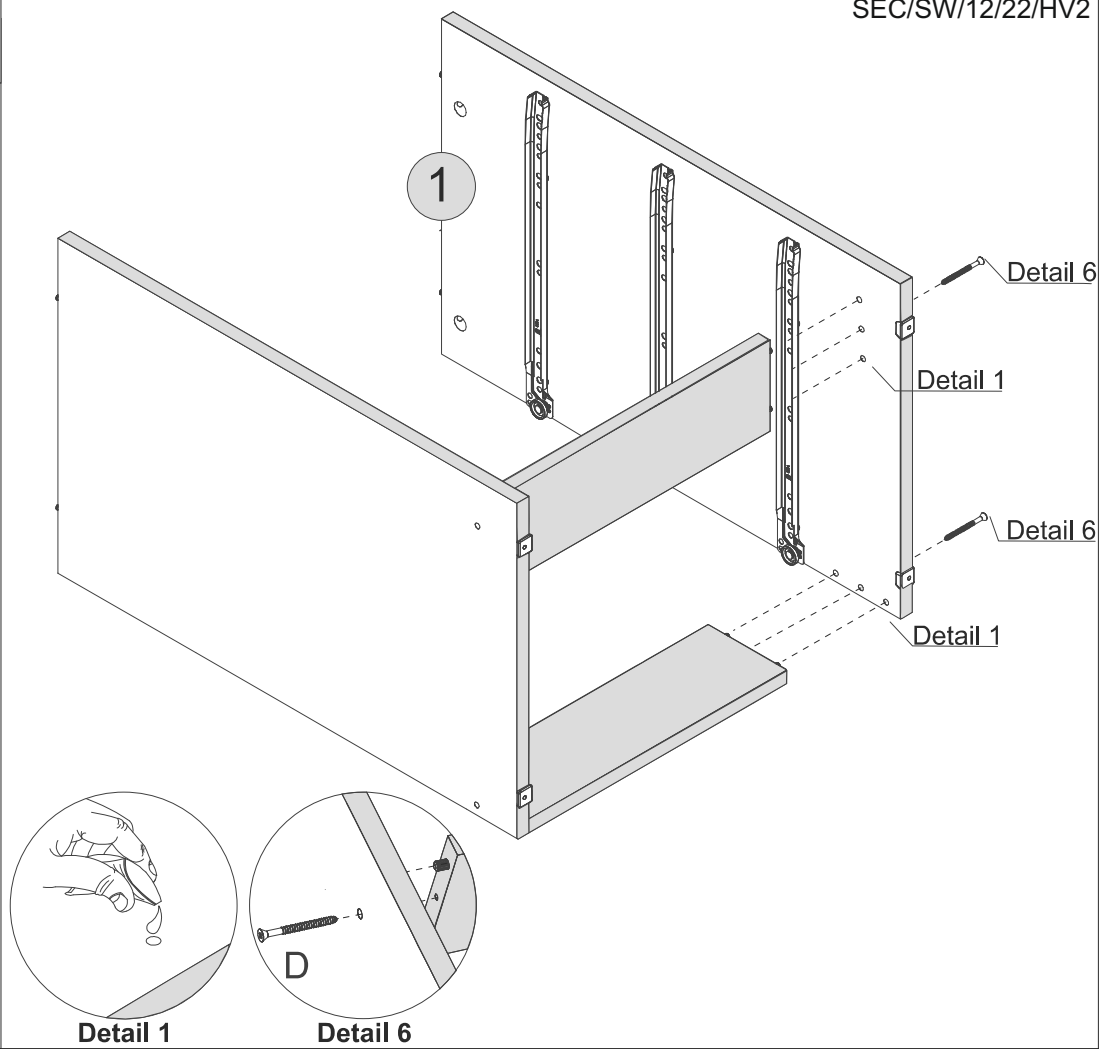
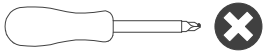


## HARDWARE REQUIRED

D  02  
Ø4 x 50mm

K  01  
GLUE

## TOOLS REQUIRED



Detail 1

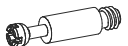
Detail 6

# STEP 8

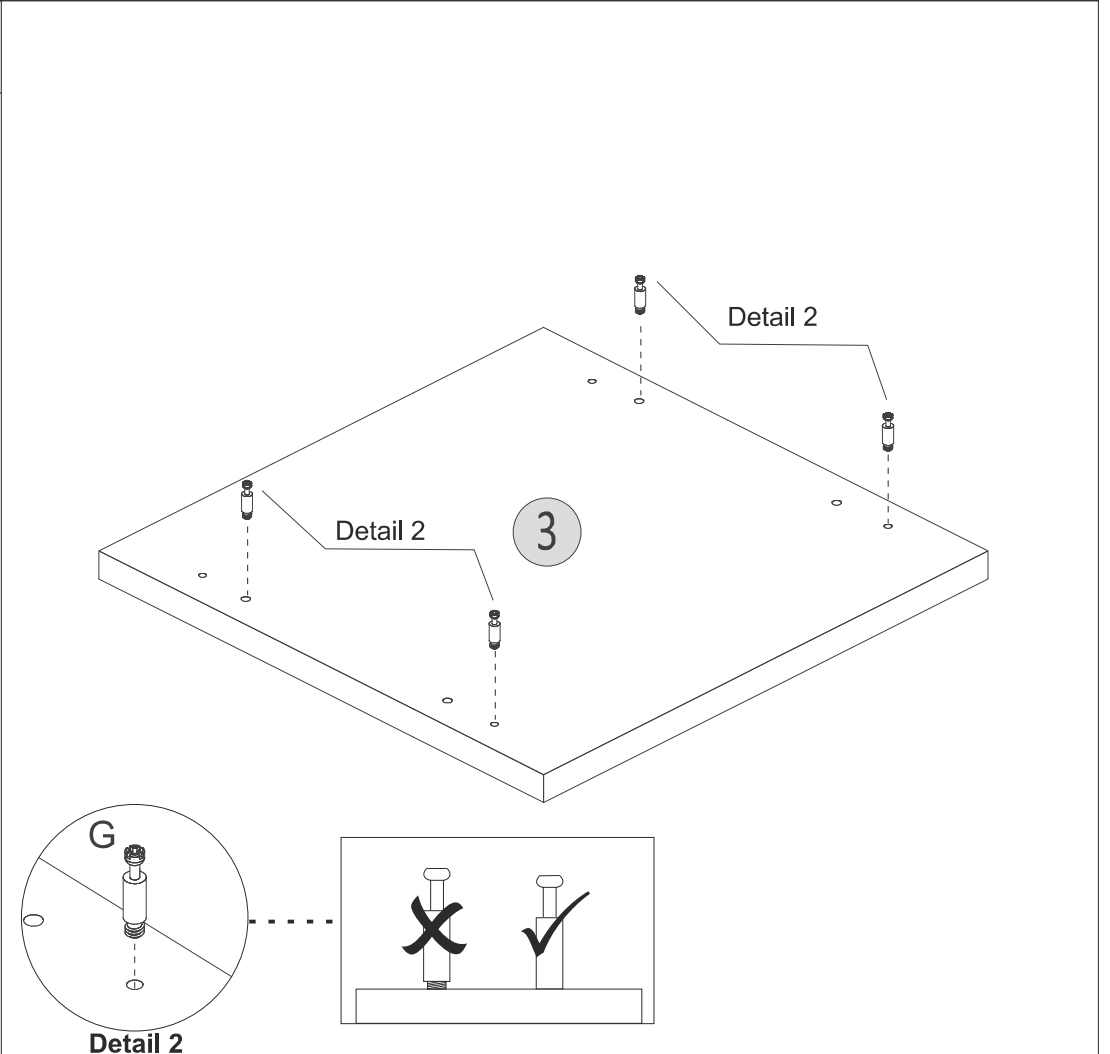
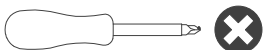
## PARTS REQUIRED

3 - TOP PANEL x1

## HARDWARE REQUIRED

G  04

## TOOLS REQUIRED

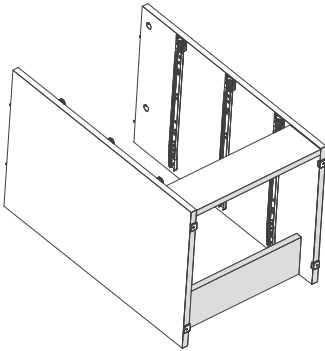


Detail 2

# STEP 9

## PARTS REQUIRED

3 - TOP PANEL x1

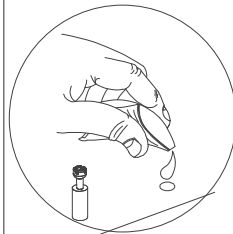
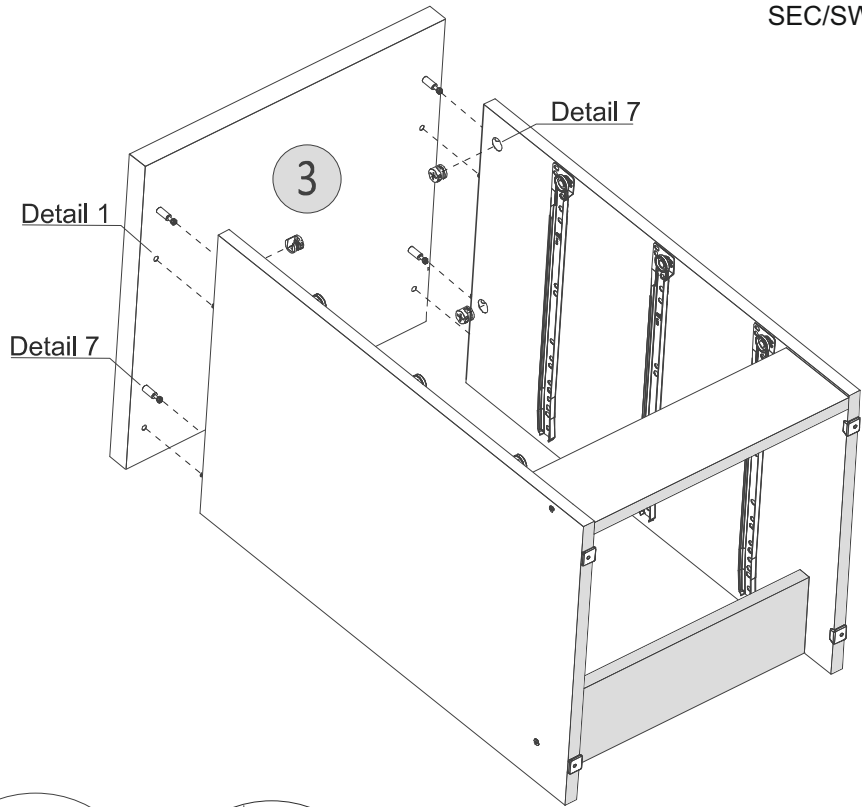
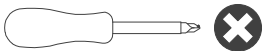


## HARDWARE REQUIRED

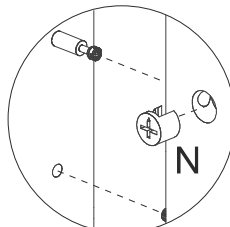
K  01

N  04

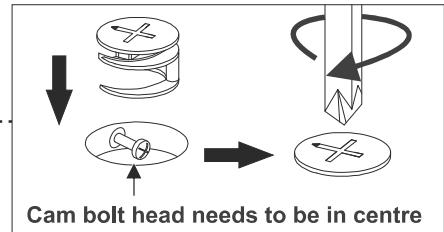
## TOOLS REQUIRED



Detail 1



Detail 7

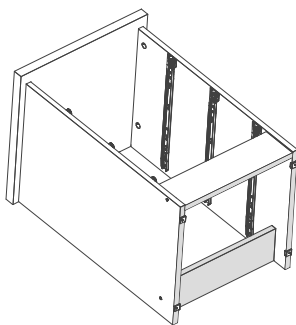


Cam bolt head needs to be in centre

# STEP 10

## PARTS REQUIRED

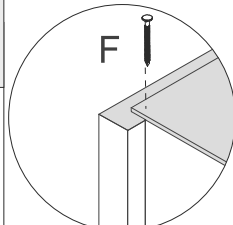
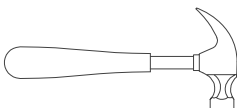
10 - BACK PANEL x1



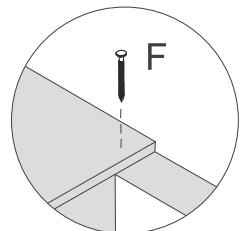
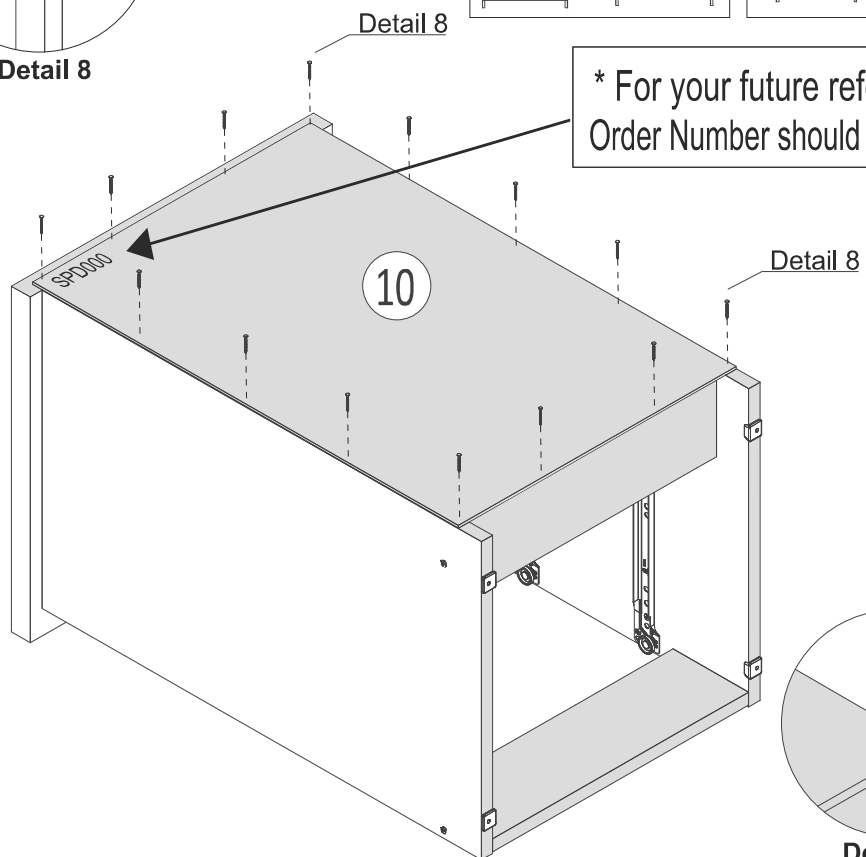
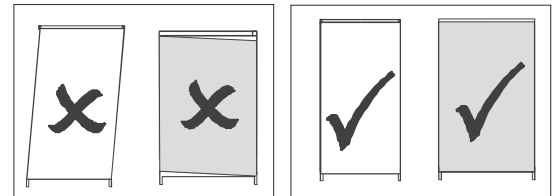
## HARDWARE REQUIRED

F  14

## TOOLS REQUIRED



Detail 8



Detail 8

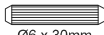
# STEP 11

## PARTS REQUIRED

6 - DRAWER SIDE x6

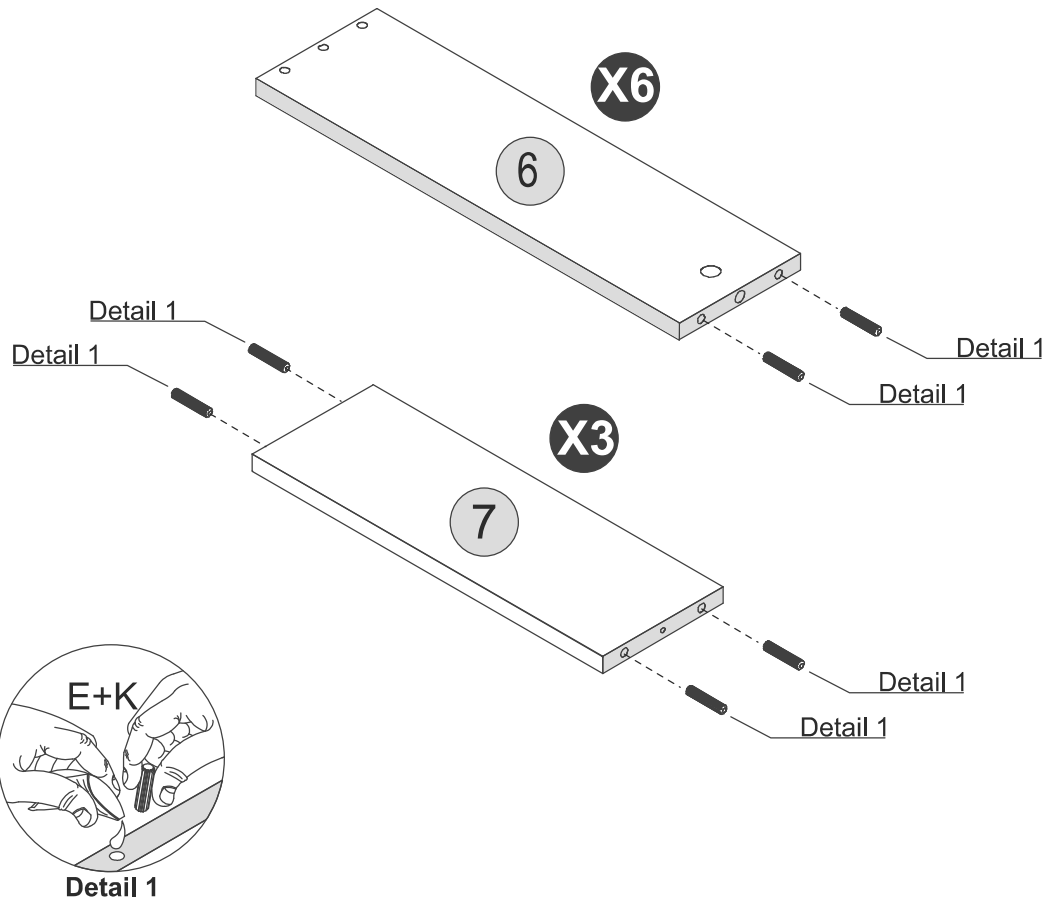
7 - DRAWER BACK PANEL x3

## HARDWARE REQUIRED

E  24  
Ø6 x 30mm

K  01  
GLUE

## TOOLS REQUIRED

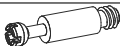


# STEP 12

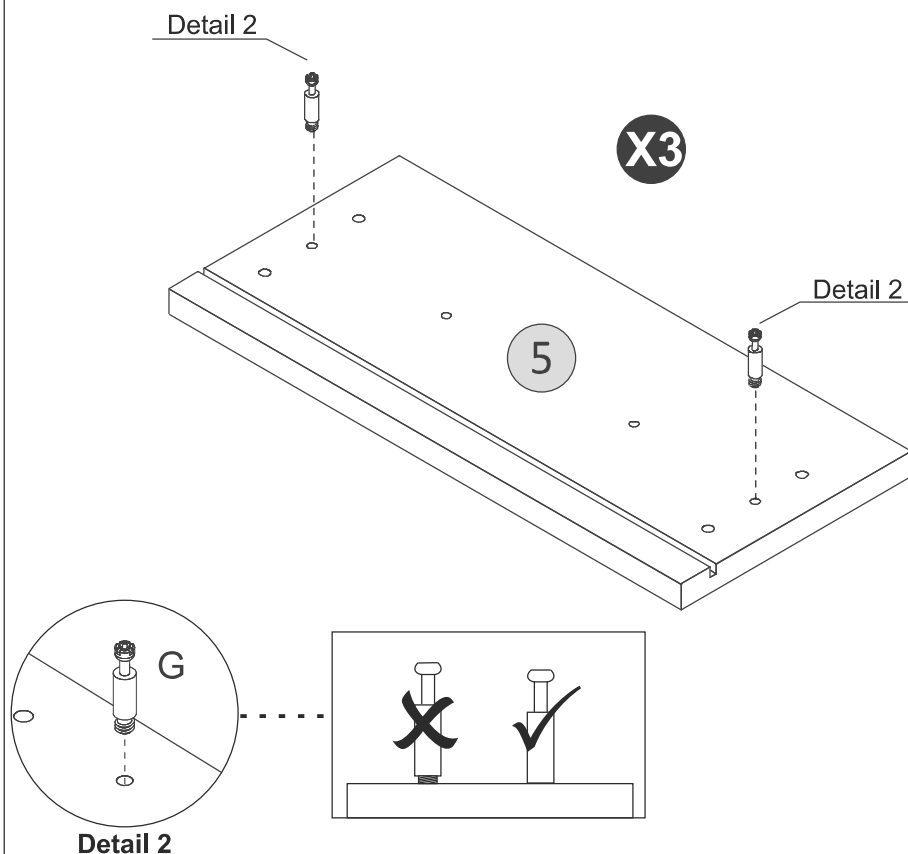
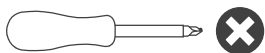
## PARTS REQUIRED

5 - DRAWER FRONT x3

## HARDWARE REQUIRED

G  06

## TOOLS REQUIRED



# STEP 13

## PARTS REQUIRED

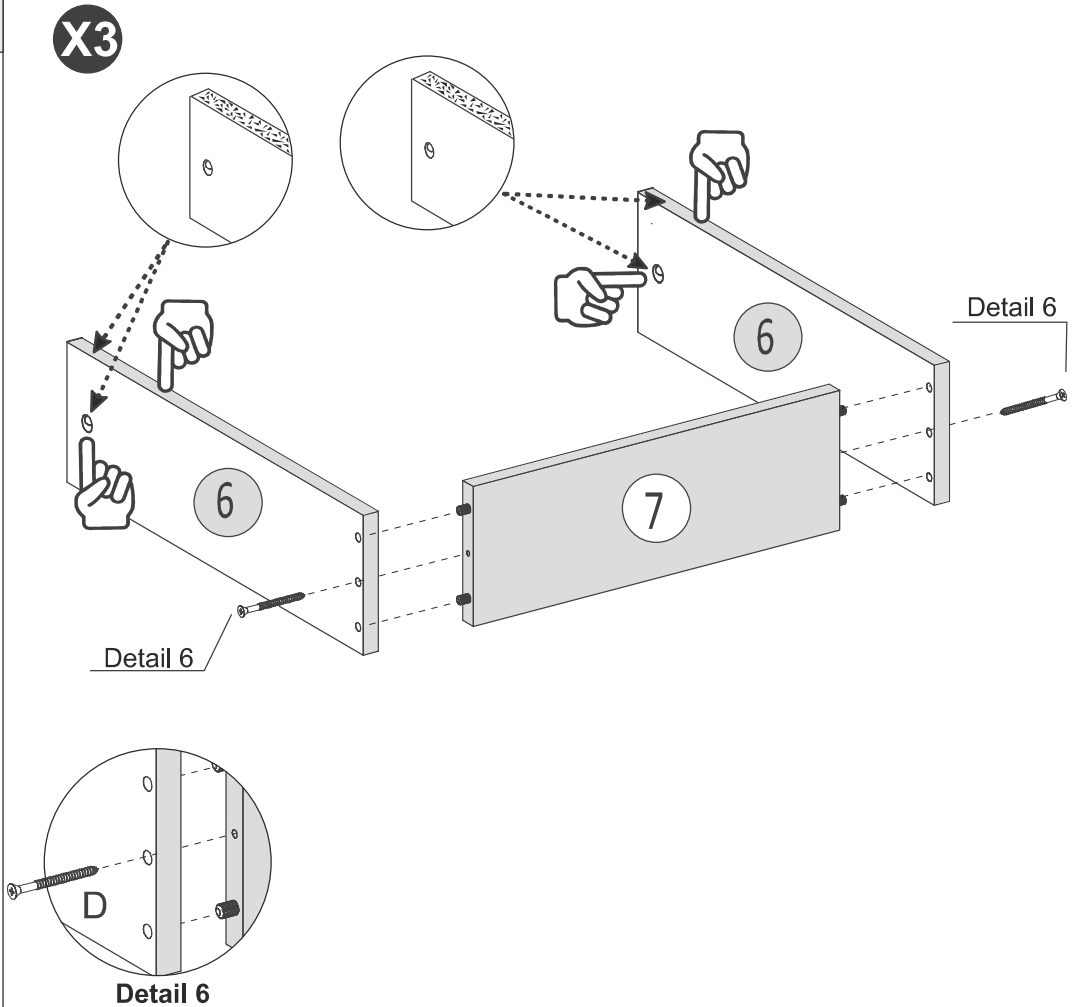
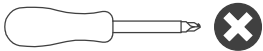
6 - DRAWER SIDE x6

7 - DRAWER BACK PANEL x3

## HARDWARE REQUIRED

D  06  
Ø4 x 50mm

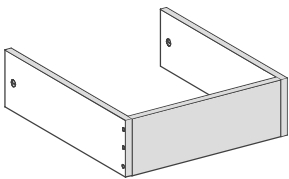
## TOOLS REQUIRED



# STEP 14

## PARTS REQUIRED

5 - DRAWER FRONT x3

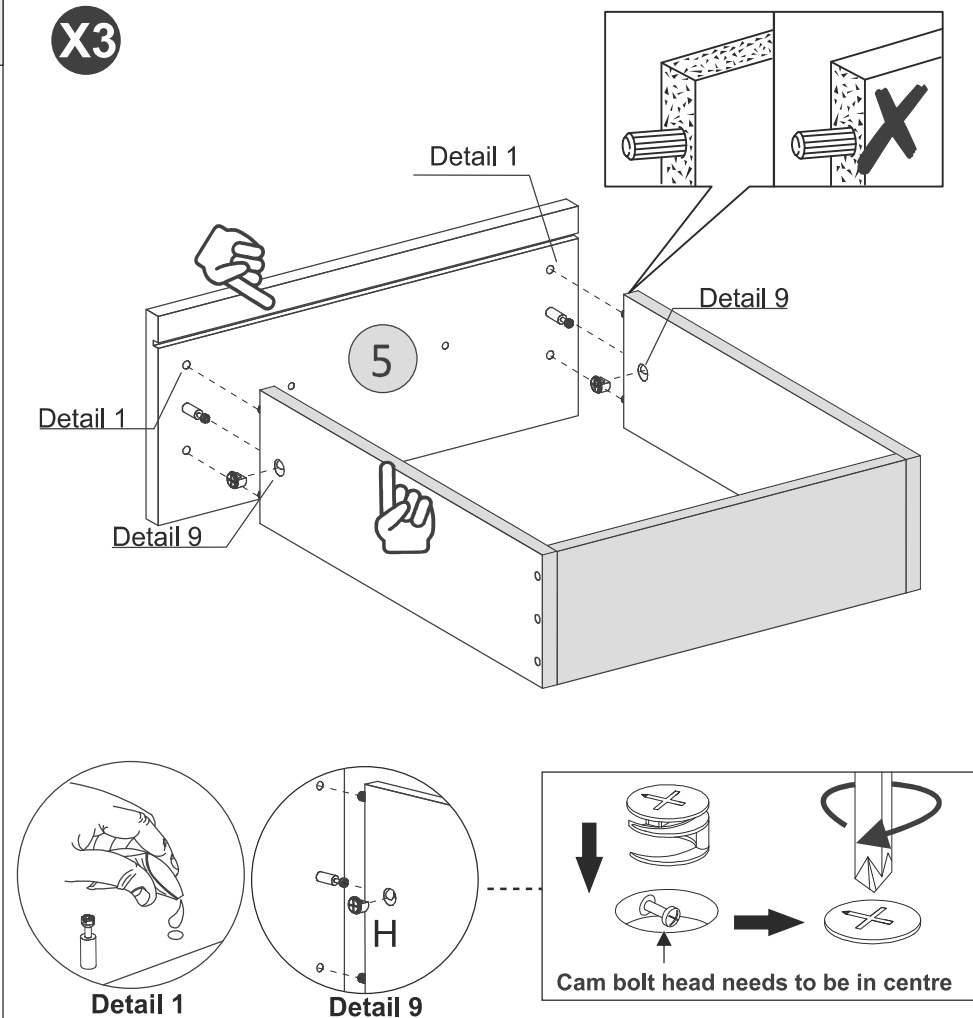


## HARDWARE REQUIRED

H  06

K  01  
GLUE

## TOOLS REQUIRED

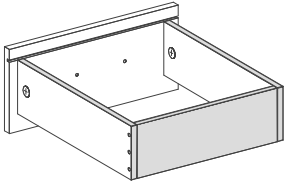




# STEP 15

## PARTS REQUIRED

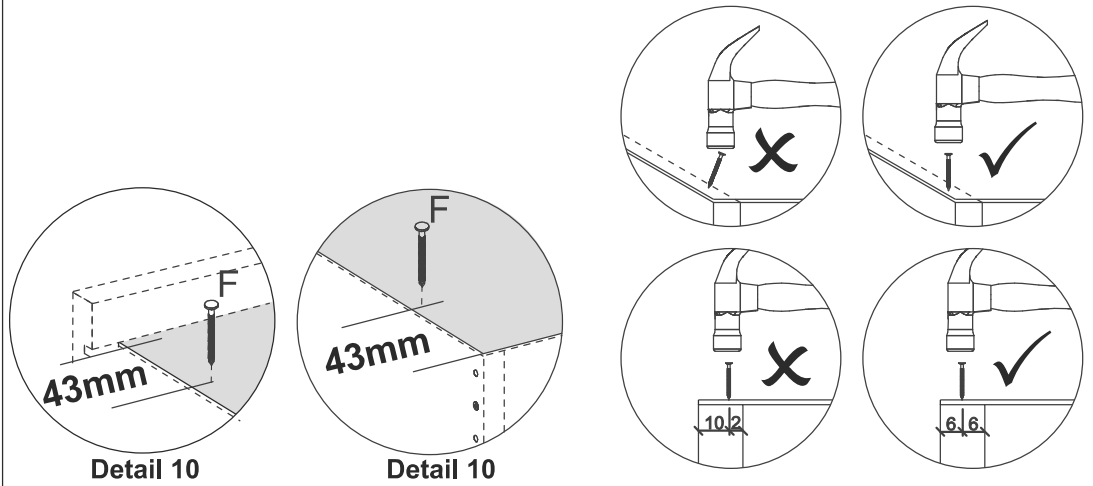
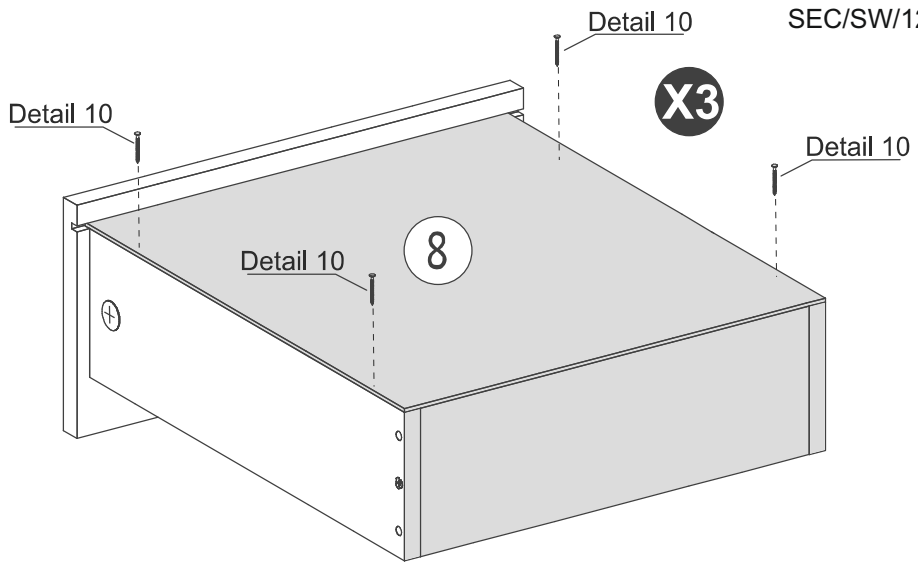
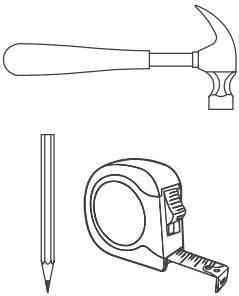
8 - DRAWER BOTTOM x3



## HARDWARE REQUIRED

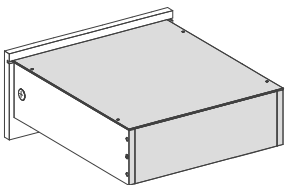
F  12  
10 x 10

## TOOLS REQUIRED



# STEP 16

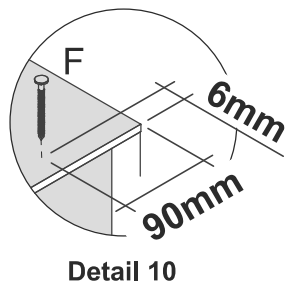
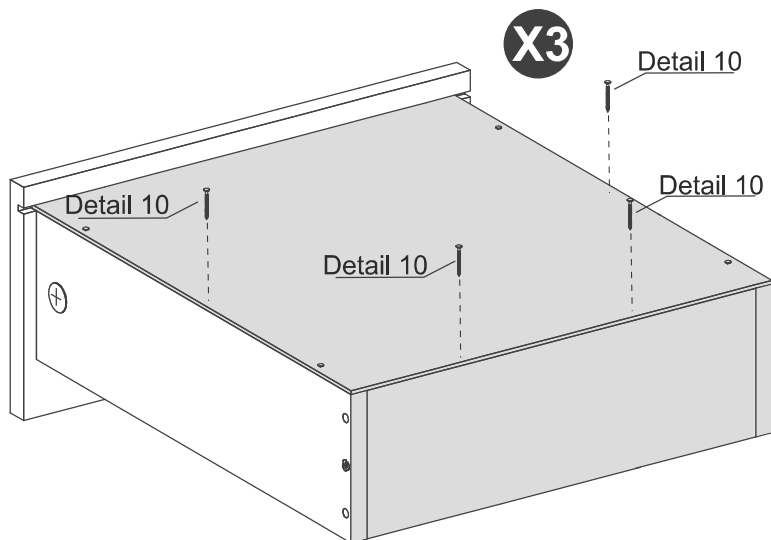
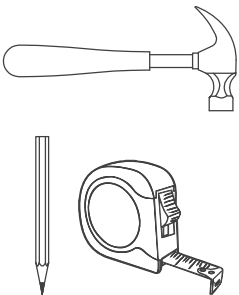
## PARTS REQUIRED



## HARDWARE REQUIRED

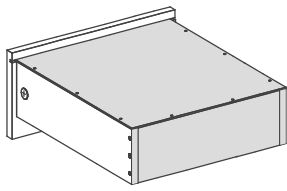
F  12  
10 x 10

## TOOLS REQUIRED

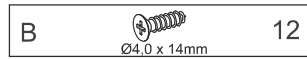


# STEP 17

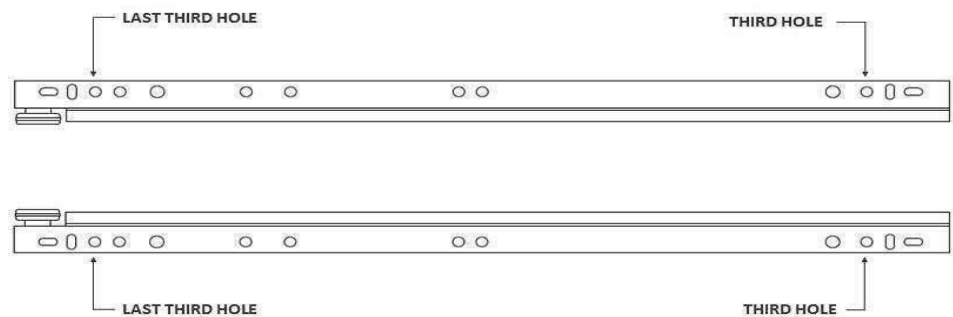
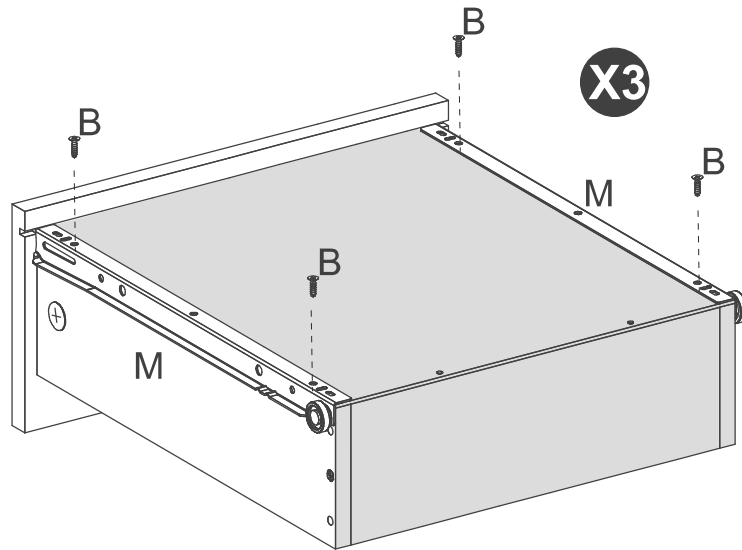
## PARTS REQUIRED



## HARDWARE REQUIRED

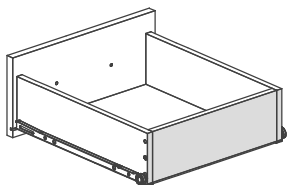


## TOOLS REQUIRED

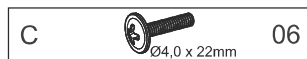


# STEP 18

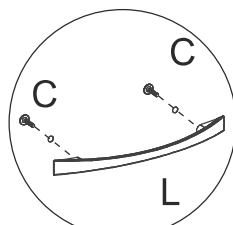
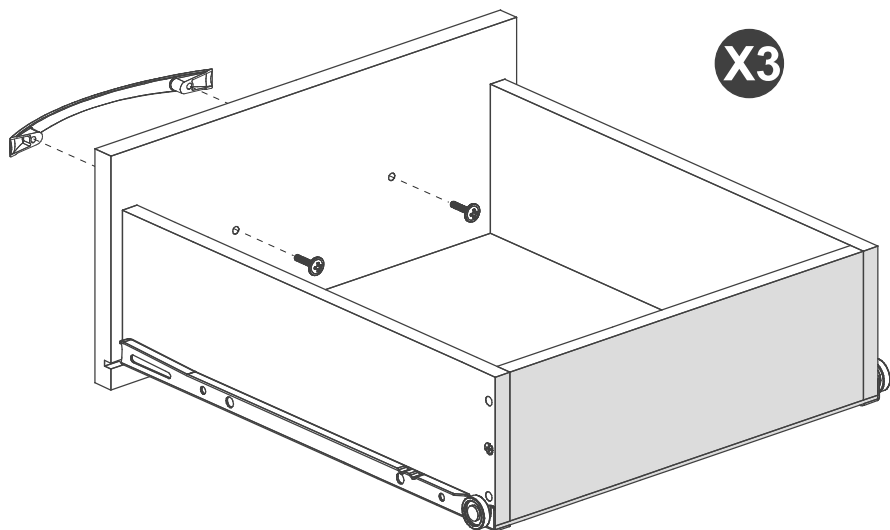
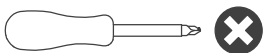
## PARTS REQUIRED



## HARDWARE REQUIRED



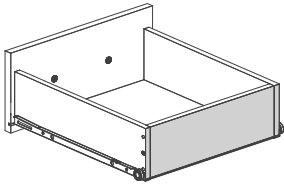
## TOOLS REQUIRED



Detail 11

# STEP 19

PARTS REQUIRED

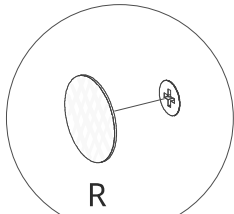
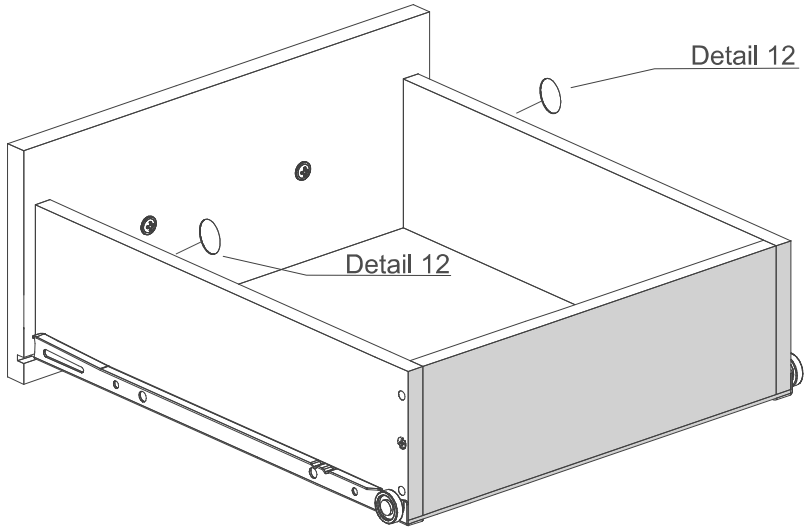


HARDWARE REQUIRED



TOOLS REQUIRED

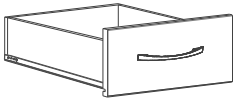
X3



R  
Detail 12

# STEP 20

PARTS REQUIRED



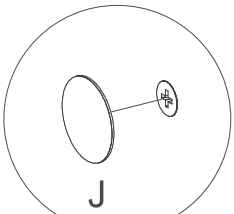
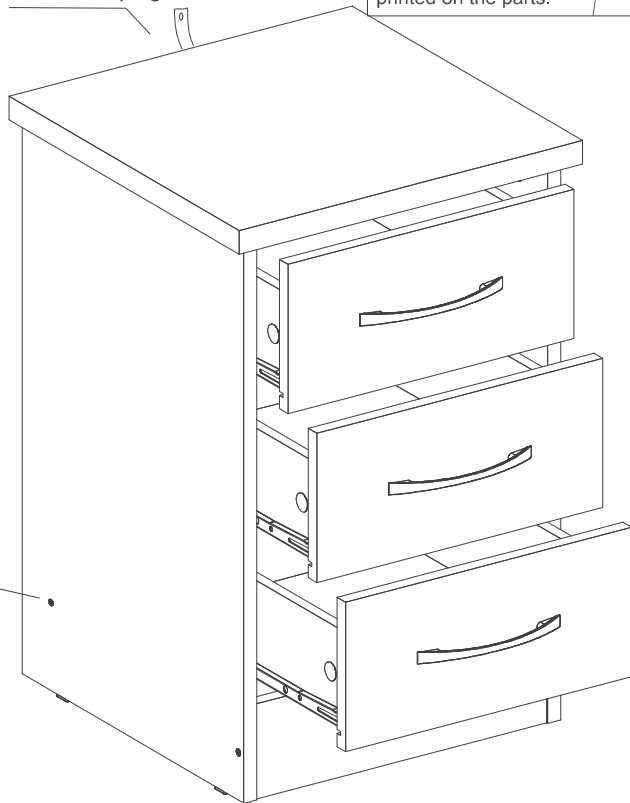
HARDWARE REQUIRED



TOOLS REQUIRED

! See the last page

**TIP**  
If desired, after assembly use an alcohol cleaner to erase the number printed on the parts.



J  
Detail 12

## WARNING

**Serious or fatal injuries can occur from furniture tipping over. To prevent the furniture from tipping over we recommend that it is permanently fixed to the wall.**

Wall fixings are not supplied with this product as different wall materials require different types of fixing devices.

Please make sure you use fixings suitable for the walls in your home.

