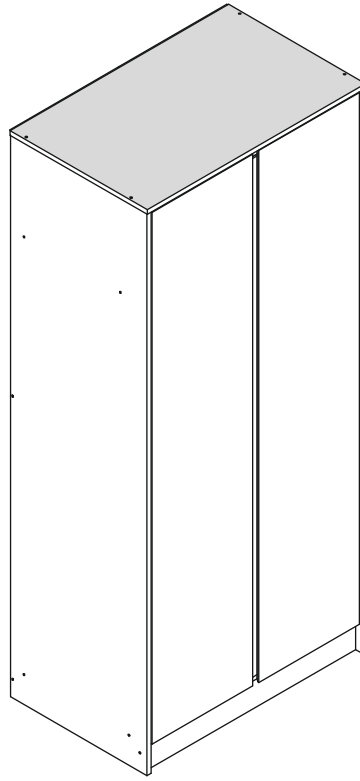


# GREY MALVERN 2 DOOR WARDROBE ASSEMBLY INSTRUCTIONS



**FOR DOMESTIC USE ONLY  
IMPORTANT**

**PLEASE READ BEFORE YOU CONTINUE FURTHER**

THE PRODUCT YOU HAVE PURCHASED WILL GIVE YOU MANY YEARS OF SERVICE IF YOU FOLLOW THE GUIDELINES FOR ITS SAFE ASSEMBLY AND PERIODIC MAINTENANCE AND CLEANING.

ASSEMBLE ON A SOFT CLEAN SURFACE.

DO NOT USE ANY TOOLS OTHER THAN THOSE SHOWN.

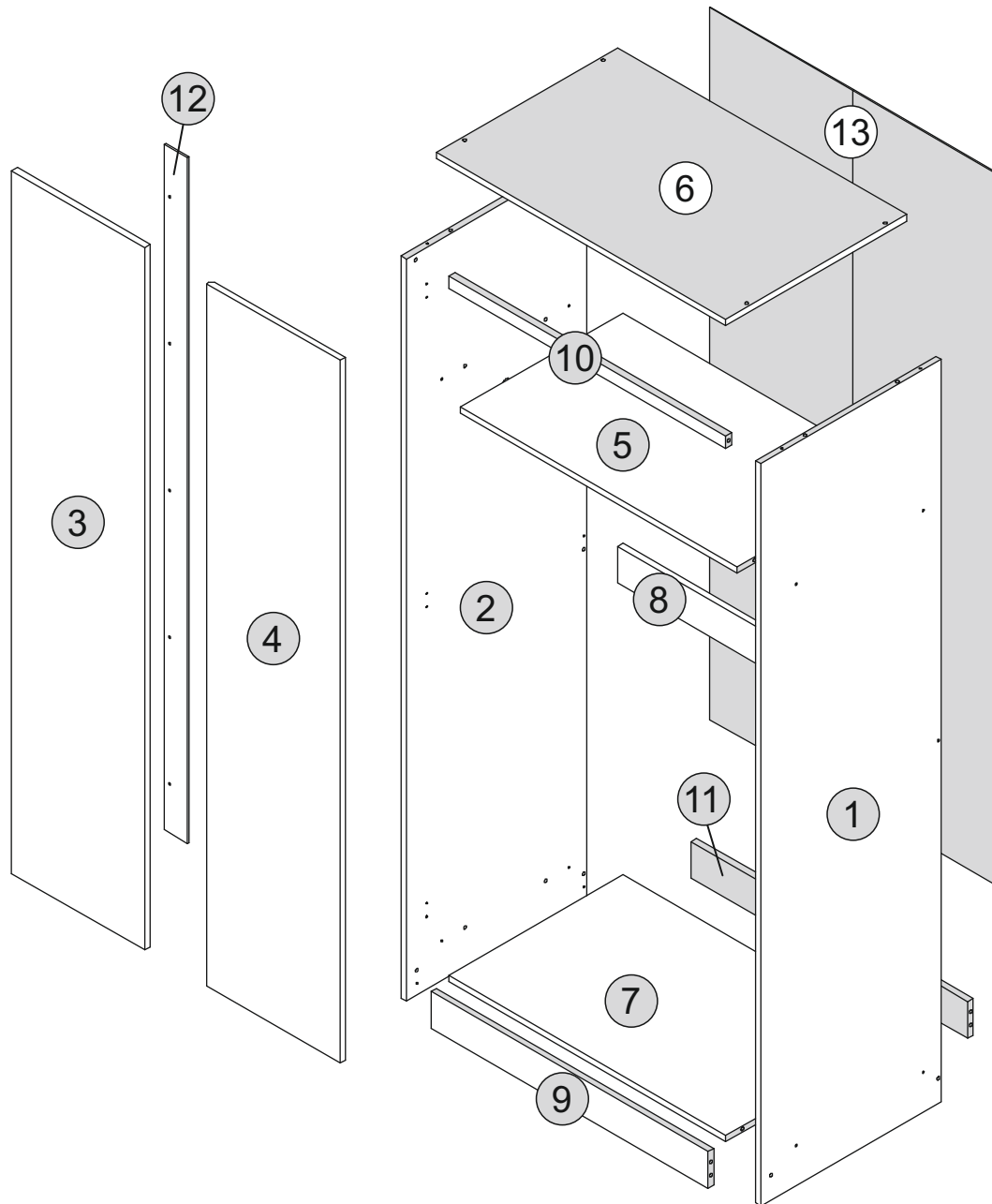
ANY SPANNERS OR ALLEN KEYS REQUIRED ARE INCLUDED WITH THE FITTING KIT.

DO NOT FOR ANY REASON USE A POWER TOOL TO ASSEMBLE THIS PRODUCT. ITS USE WILL INVALIDATE ANY CLAIM YOU MAY HAVE AND COULD MAKE THIS PRODUCT UNSAFE.

DEPENDING ON THE AMOUNT OF USE THIS PRODUCT RECEIVES, IT MAY BE NECESSARY TO TIGHTEN UP THE FIXINGS FROM TIME TO TIME. THIS IS COMPLETELY NORMAL FOR ANY FLAT PACK FURNITURE. DO NOT OVERTIGHTEN FIXINGS.

FOR CLEANING, YOU MAY USE A DAMP CLOTH (NOT WET). DO NOT USE POLISH, DETERGENT OR CHEMICAL CLEANERS.


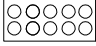




THIS SURFACE OF THIS ITEM IS NOT HEAT RESISTANT. ALWAYS USE A PLACE MAT UNDER HOT OR COLD ITEMS TO PREVENT MARKING.



## PART LIST

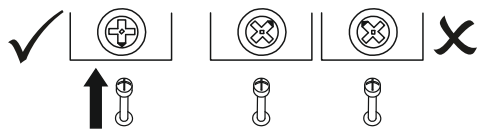
| Part Number | Part Code           | Part Description   | Quantity | Carton |
|-------------|---------------------|--------------------|----------|--------|
| 1           | S100-101-170-ZF1-01 | Right Side Panel   | 1        | 1/2    |
| 2           | S100-101-170-ZF1-02 | Left Side Panel    | 1        | 1/2    |
| 3           | S100-101-170-ZF1-03 | Left Door          | 1        | 1/2    |
| 4           | S100-101-170-ZF1-04 | Right Door         | 1        | 1/2    |
| 5           | S100-101-170-ZF1-05 | Shelf Panel        | 1        | 2/2    |
| 6           | S100-101-170-ZF1-06 | Top Panel          | 1        | 2/2    |
| 7           | S100-101-170-ZF1-07 | Bottom Panel       | 1        | 2/2    |
| 8           | S100-101-170-ZF1-08 | Back Support Panel | 1        | 2/2    |
| 9           | S100-101-170-ZF1-09 | Front Crossbar     | 1        | 2/2    |
| 10          | S100-101-170-ZF1-10 | Support Panel      | 1        | 2/2    |
| 11          | S100-101-170-ZF1-11 | Back Crossbar      | 1        | 2/2    |
| 12          | S100-101-170-ZF1-12 | Door Support       | 1        | 1/2    |
| 13          | S100-101-170-ZF1-13 | Back Panel         | 1        | 1/2    |

# HARDWARE LIST

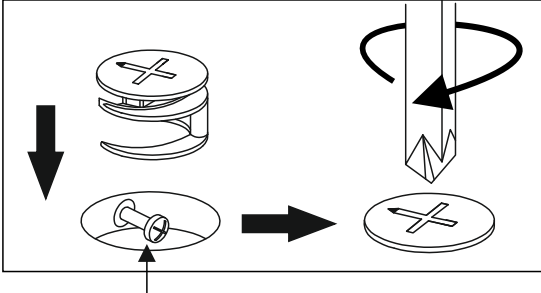
| No | Part Name                                 |   | Qty | Carton |
|----|---|---|-----|--------|
| A  | M8x30mm Wooden Dowel                      |  | x20 | 1      |
| B  | M4x45mm Screw                             |  | x18 | 1      |
| C  | M3.5x16mm Screw                           |  | x35 | 1      |
| D  | PVC L-Bracket                             |  | x2  | 1      |
| E  | Screw Cover <small>(Sticker 12mm)</small> |  | x14 | 1      |
| F  | Plastic Foot                              |  | x5  | 1      |
| G  | 6/8" Nail                                 |  | x46 | 1      |
| H  | Hanging Rail (780mm)                      |  | x1  | 1      |
| I  | Wall Fixing <small>(4x20mm=1pc)</small>   |  | x1  | 1      |
| J  | End Hinges <small>(M11)-Big</small>       |  | x6  | 1      |

## TIPS FOR FITTINGS CAM-LOCKS

WHEN FITTING CAM NUT. ENSURE STARTING POSITION IS CORRECT BEFORE YOU INSERT CONNECTING CAM BOLT TURN CLOCKWISE UNTIL SECURE



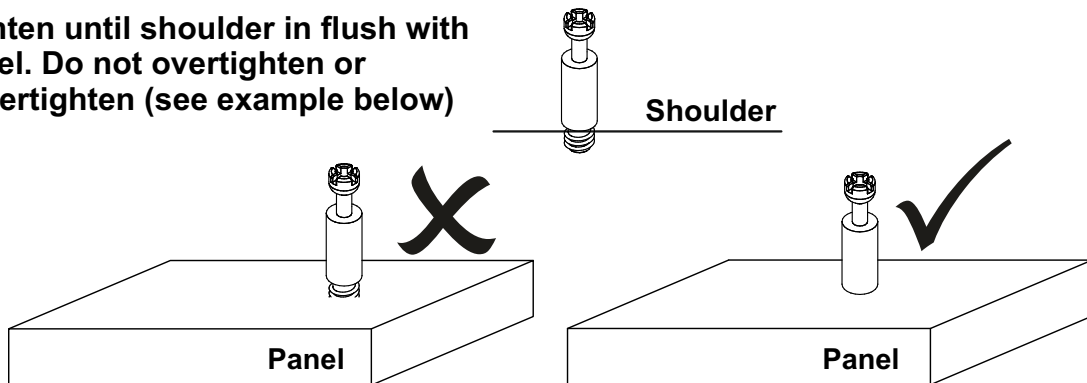
CORRECT
WRONG



**Cam bolt head needs to be in centre**

### CAMBOLT

**Tighten until shoulder in flush with panel. Do not overtighten or undertighten (see example below)**



Shoulder

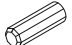


Panel

# STEP 1

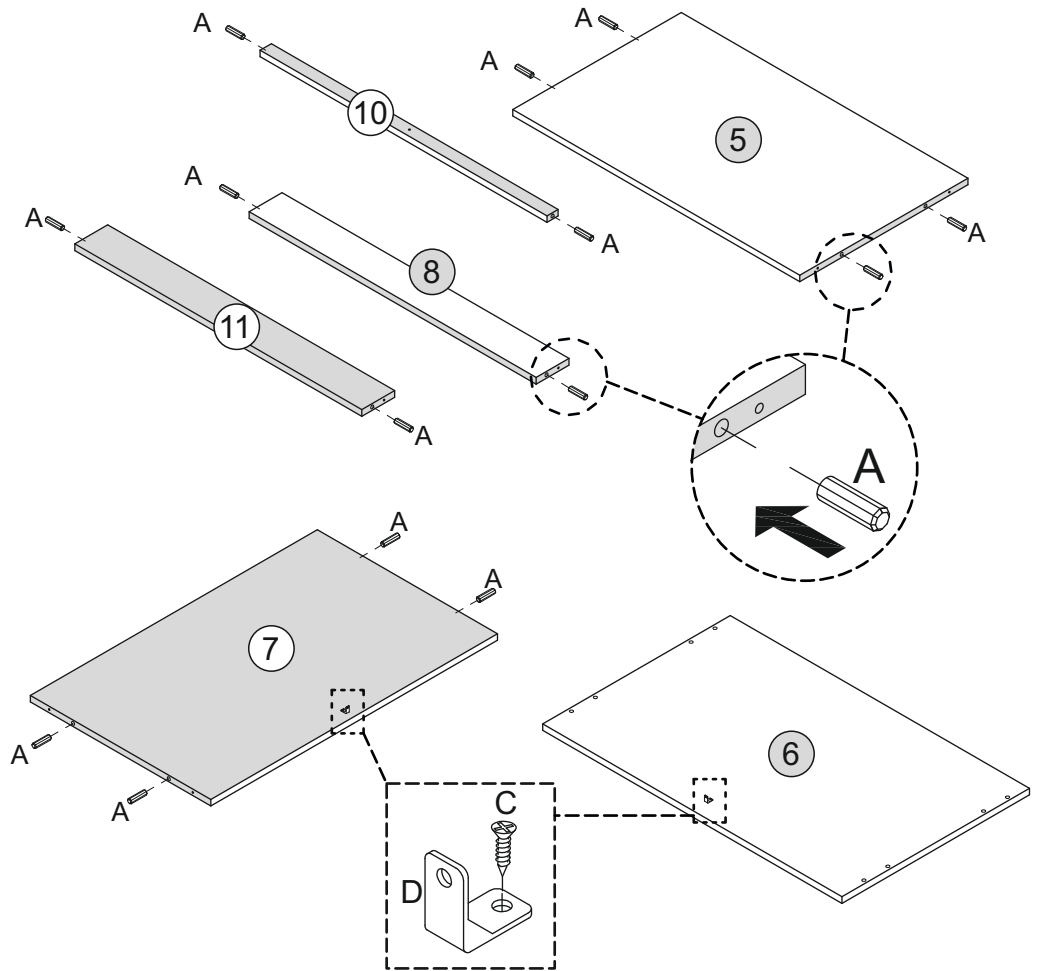
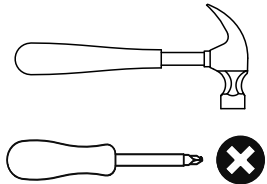
## PARTS REQUIRED

|                        |    |
|------------------------|----|
| 5 - SHELF PANEL        | x1 |
| 6 - TOP PANEL          | x1 |
| 7 - BOTTOM PANEL       | x1 |
| 8 - BACK SUPPORT PANEL | x1 |
| 10 - SUPPORT PANEL     | x1 |
| 11 - BACK CROSSBAR     | x1 |

## HARDWARE REQUIRED

|   |   |    |
|---|---|----|
| A |  | 14 |
| C |  | 02 |
| D |  | 02 |

## TOOLS REQUIRED





# STEP 2

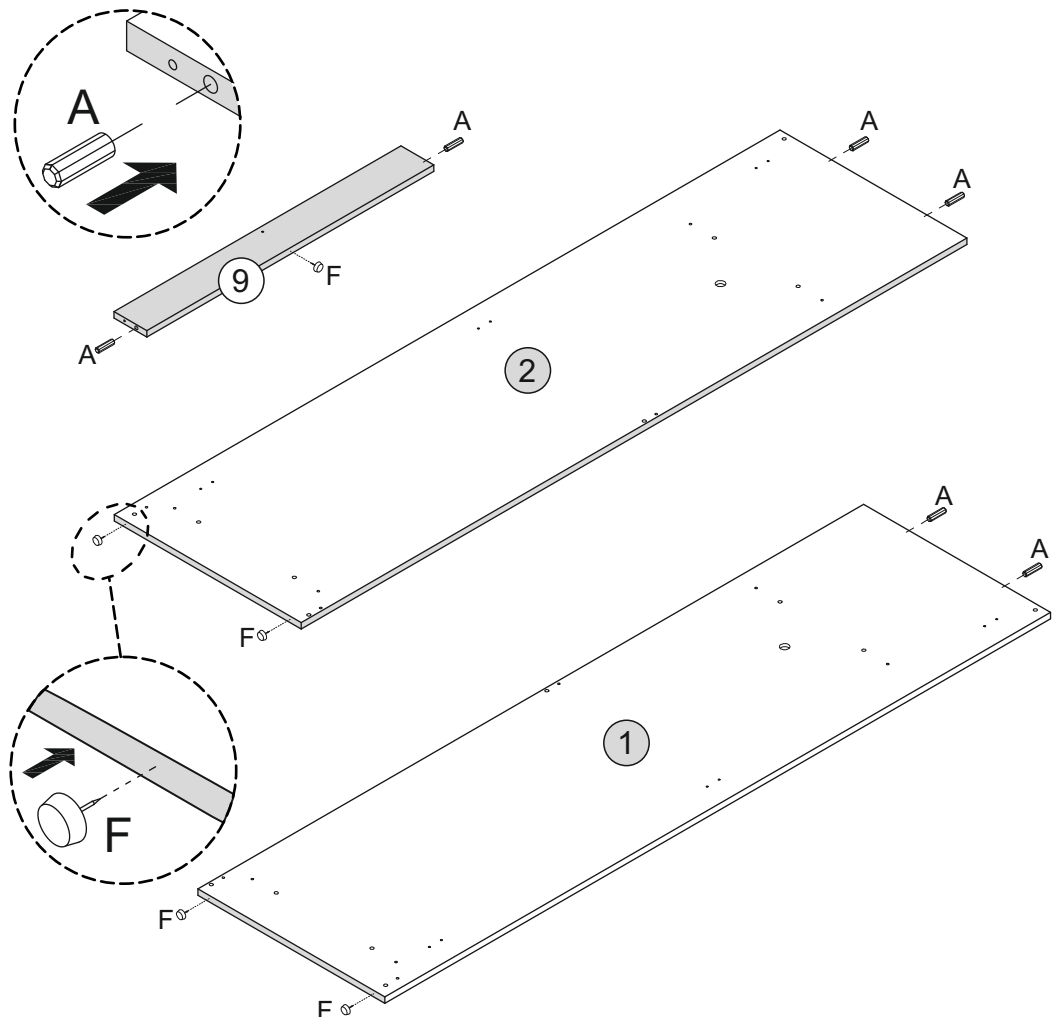
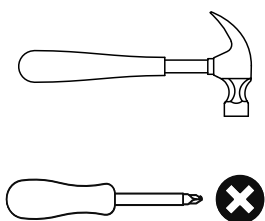
## PARTS REQUIRED

|                      |    |
|----------------------|----|
| 1 - RIGHT SIDE PANEL | x1 |
| 2 - LEFT SIDE PANEL  | x1 |
| 9 - FRONT CROSSBAR   | x1 |

## HARDWARE REQUIRED

|   |   |    |
|---|---|----|
| A |  | 06 |
| F |  | 05 |

## TOOLS REQUIRED





# STEP 3

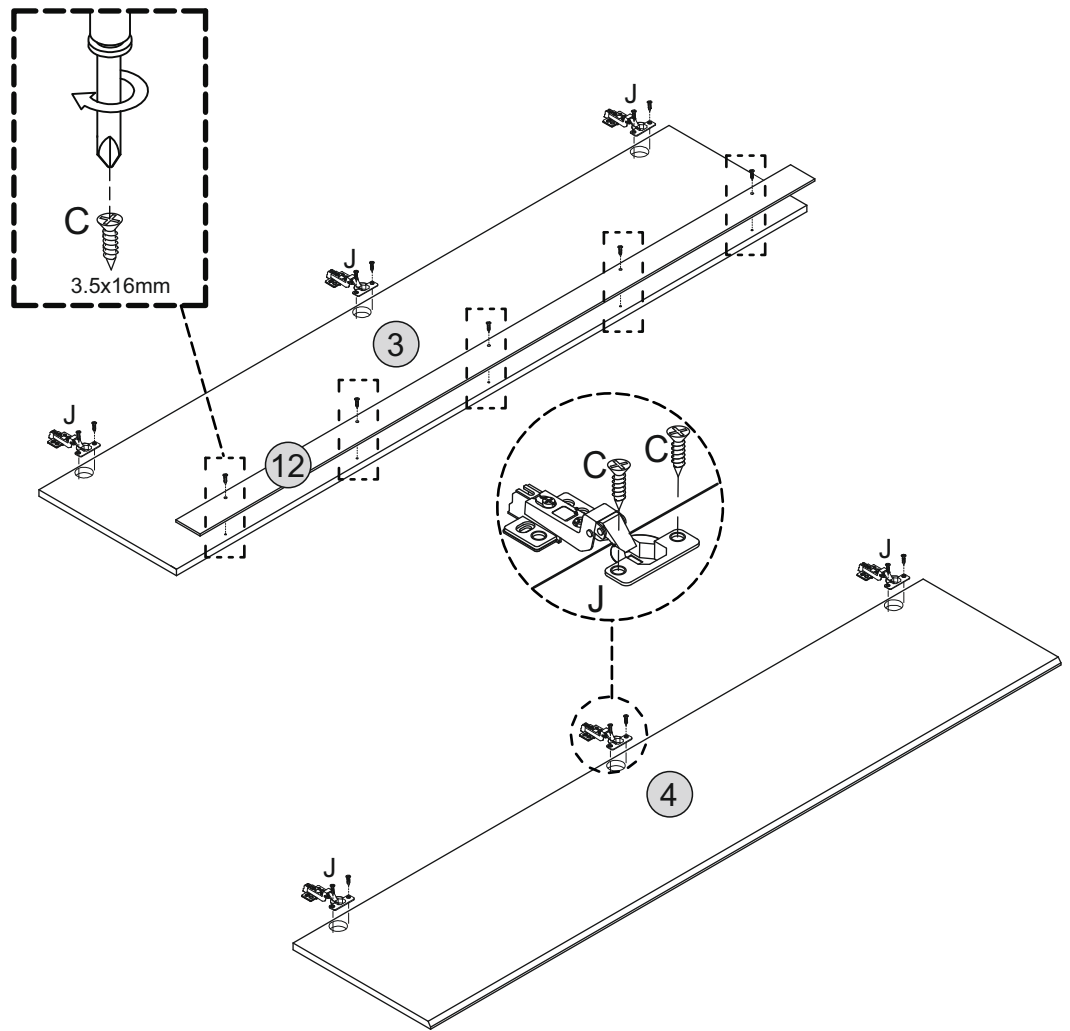
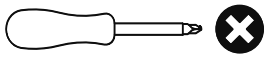
## PARTS REQUIRED

|                   |    |
|-------------------|----|
| 3 - LEFT DOOR     | x1 |
| 4 - RIGHT DOOR    | x1 |
| 12 - DOOR SUPPORT | x1 |

## HARDWARE REQUIRED

|   |  |    |
|---|--|----|
| C |  3.5x16mm | 17 |
| J |           | 06 |

## TOOLS REQUIRED

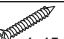
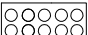


# STEP 4

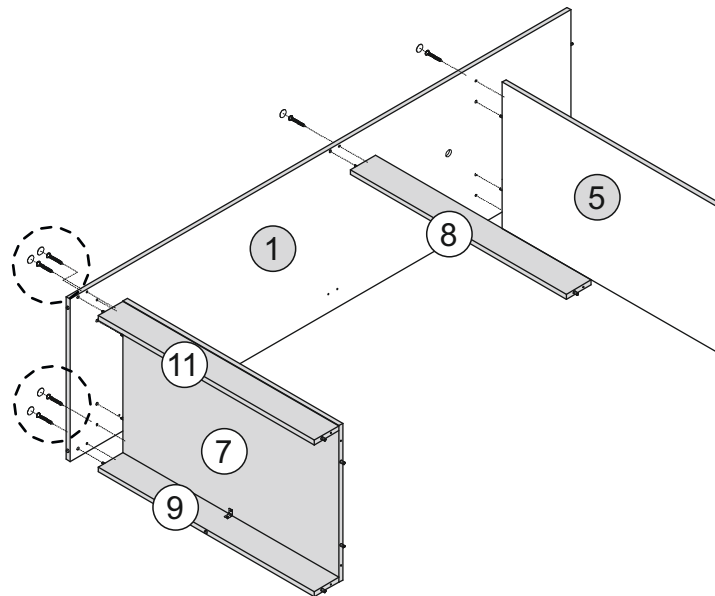
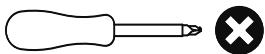
## PARTS REQUIRED

|                        |    |
|------------------------|----|
| 1 - RIGHT SIDE PANEL   | x1 |
| 5 - SHELF PANEL        | x1 |
| 7 - BOTTOM PANEL       | x1 |
| 8 - BACK SUPPORT PANEL | x1 |
| 9 - FRONT CROSSBAR     | x1 |
| 11 - BACK CROSSBAR     | x1 |

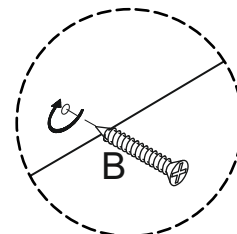
## HARDWARE REQUIRED

|   |  |    |
|---|--|----|
| B |  4x45mm | 07 |
| E |         | 07 |

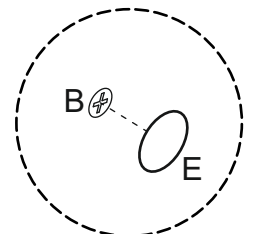
## TOOLS REQUIRED



### STEP 1



### STEP 2

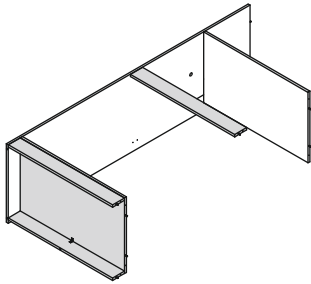


# STEP 5

## PARTS REQUIRED

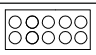
2 - LEFT SIDE PANEL x1

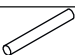
10 - SUPPORT PANEL x1



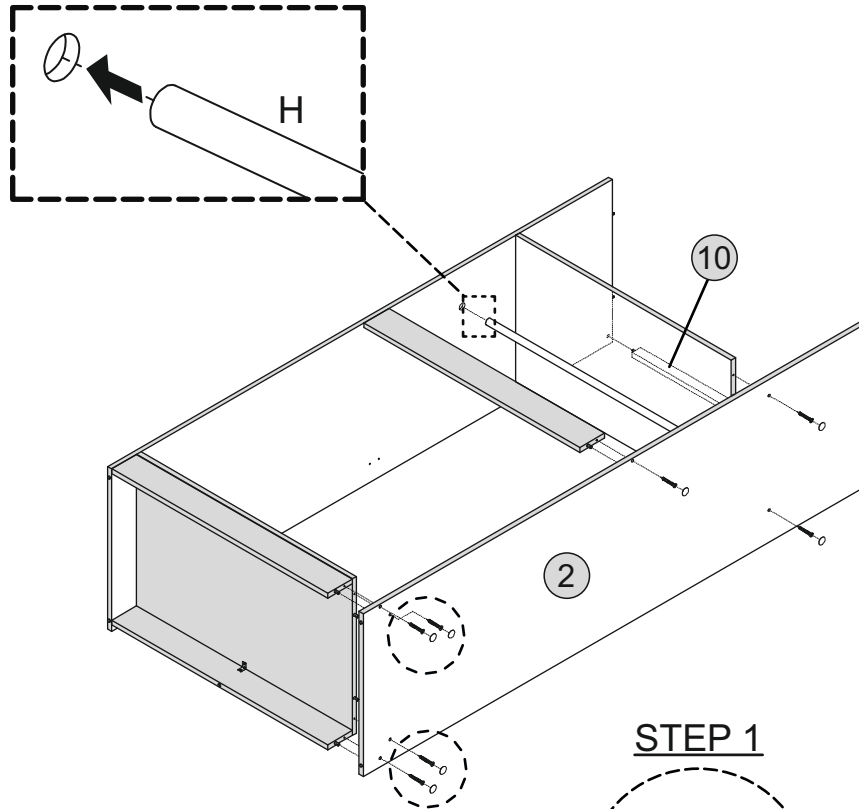
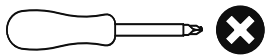
## HARDWARE REQUIRED

B  07

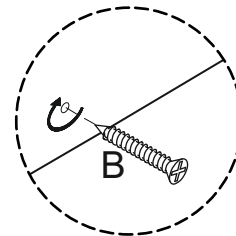
E  07

H  01

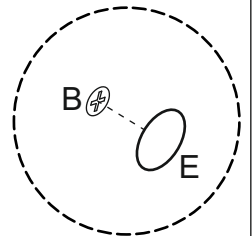
## TOOLS REQUIRED



### STEP 1



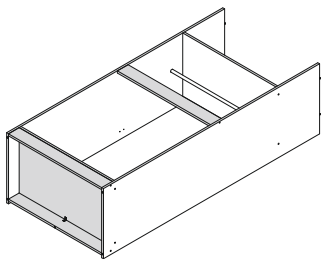
### STEP 2



# STEP 6

## PARTS REQUIRED

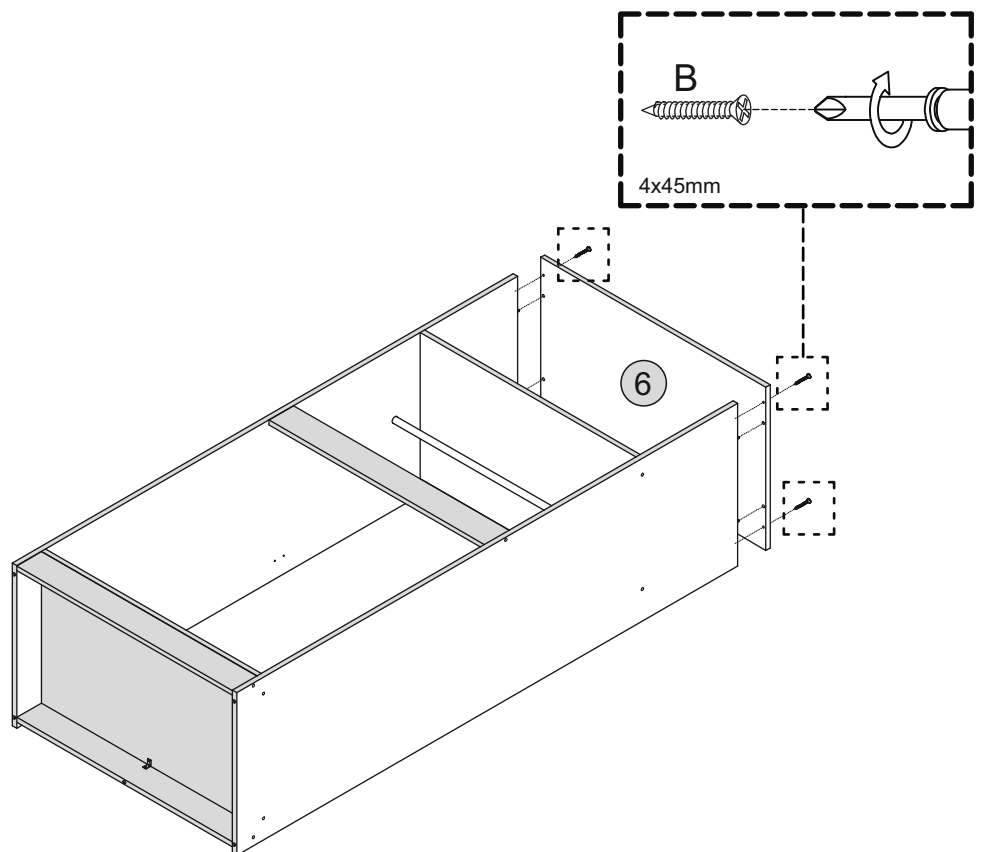
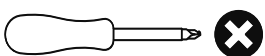
6 - TOP PANEL x1



## HARDWARE REQUIRED

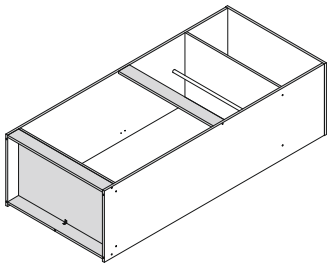
B  04

## TOOLS REQUIRED

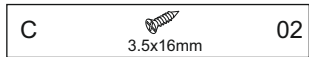


# STEP 7

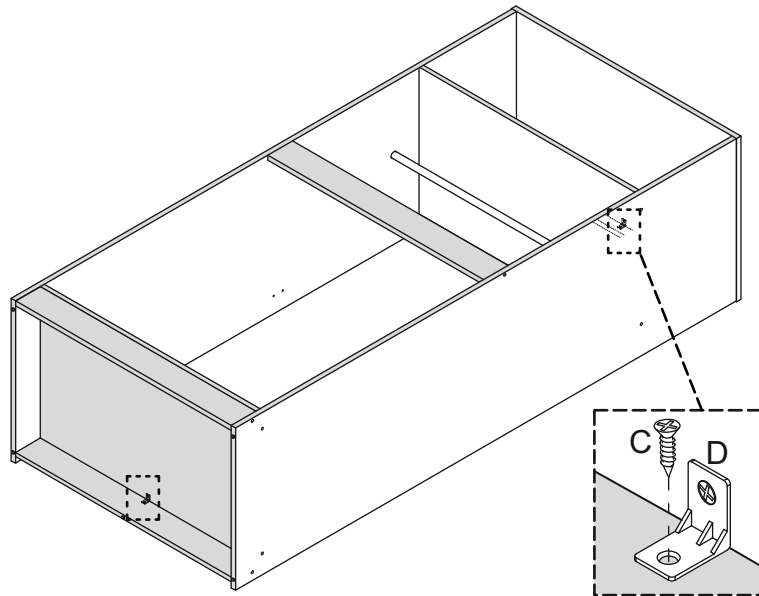
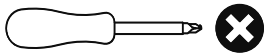
## PARTS REQUIRED



## HARDWARE REQUIRED

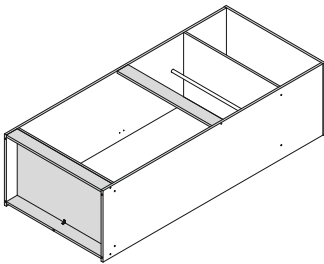


## TOOLS REQUIRED

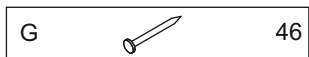
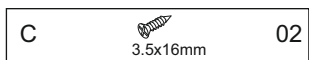


# STEP 8

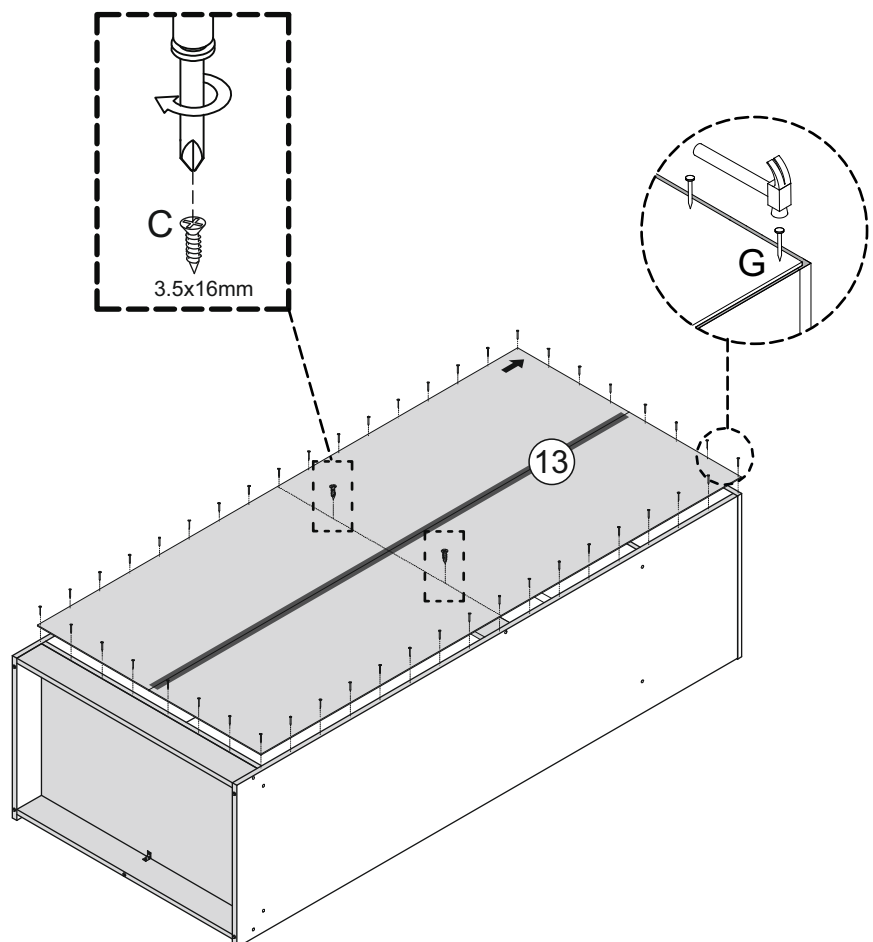
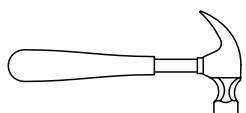
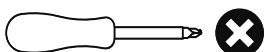
## PARTS REQUIRED



## HARDWARE REQUIRED



## TOOLS REQUIRED

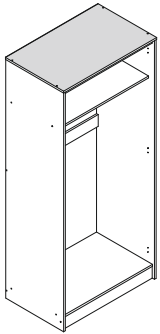


# STEP 9

## PARTS REQUIRED

3 - LEFT DOOR x1

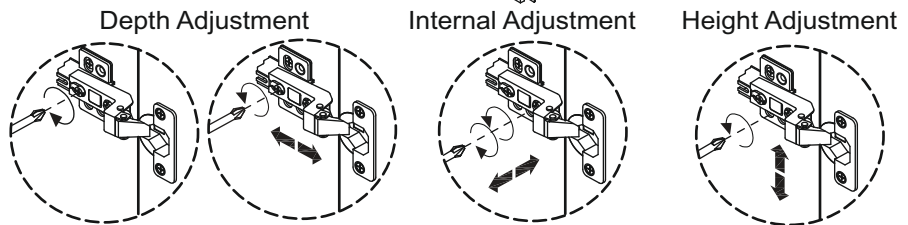
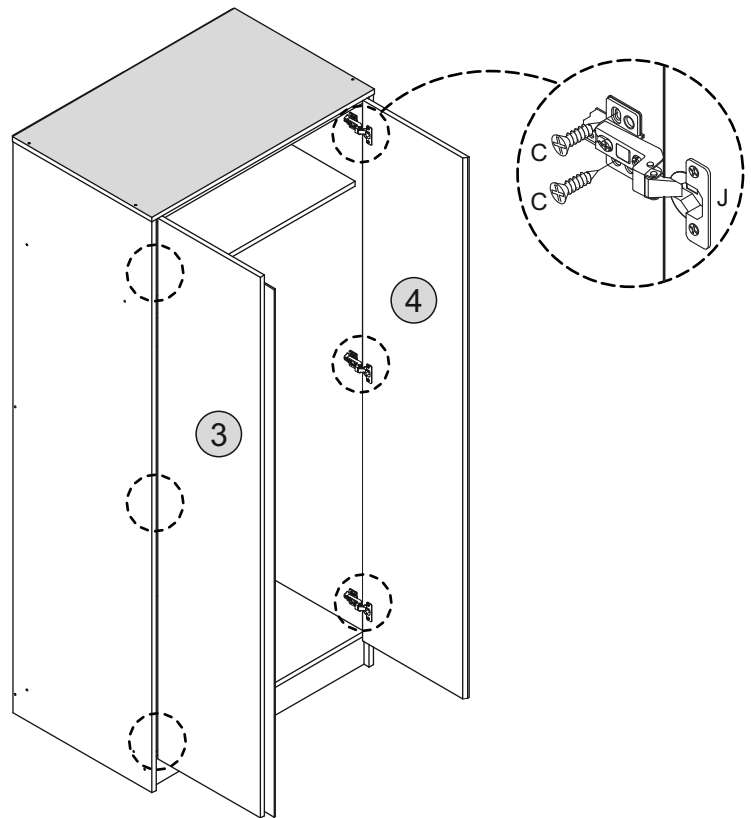
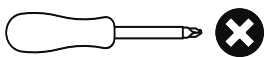
4 - RIGHT DOOR x1



## HARDWARE REQUIRED

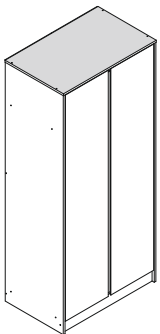
C 3.5x16mm 12

## TOOLS REQUIRED



# STEP 10

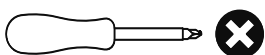
## PARTS REQUIRED



## HARDWARE REQUIRED

I 01

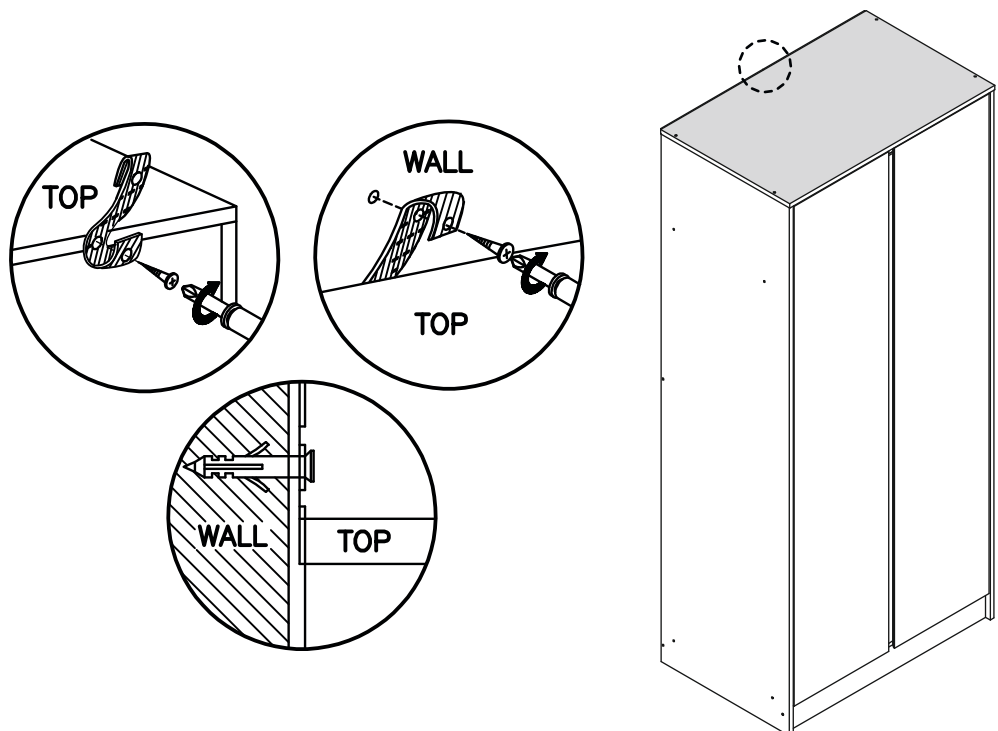
## TOOLS REQUIRED



## WARNING

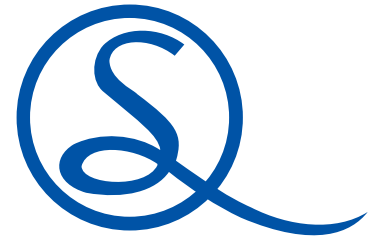
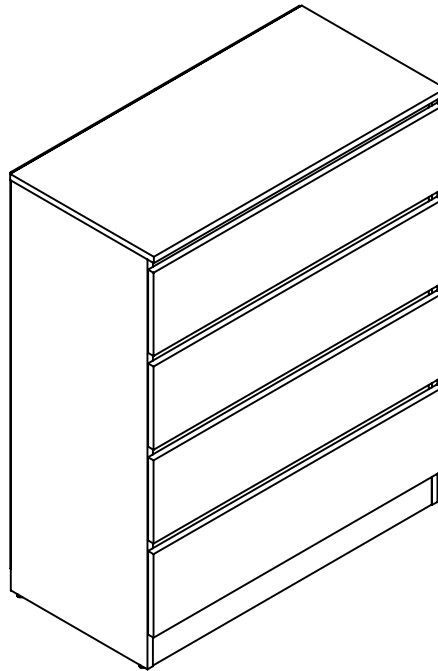
**Serious or fatal injuries can occur from furniture tipping over. To prevent the furniture from tipping over we recommend that it is permanently fixed to the wall.**

Wall fixings are not supplied with this product as different wall materials require different types of fixing devices. Please make sure you use fixings suitable for the walls in your home.





# GREY MALVERN 4 DRAWER CHEST ASSEMBLY INSTRUCTIONS



**FOR DOMESTIC USE ONLY**

**IMPORTANT**

**PLEASE READ BEFORE YOU CONTINUE FURTHER**

THE PRODUCT YOU HAVE PURCHASED WILL GIVE YOU MANY YEARS OF SERVICE IF YOU FOLLOW THE GUIDELINES FOR ITS SAFE ASSEMBLY AND PERIODIC MAINTENANCE AND CLEANING.

ASSEMBLE ON A SOFT CLEAN SURFACE.

DO NOT USE ANY TOOLS OTHER THAN THOSE SHOWN.

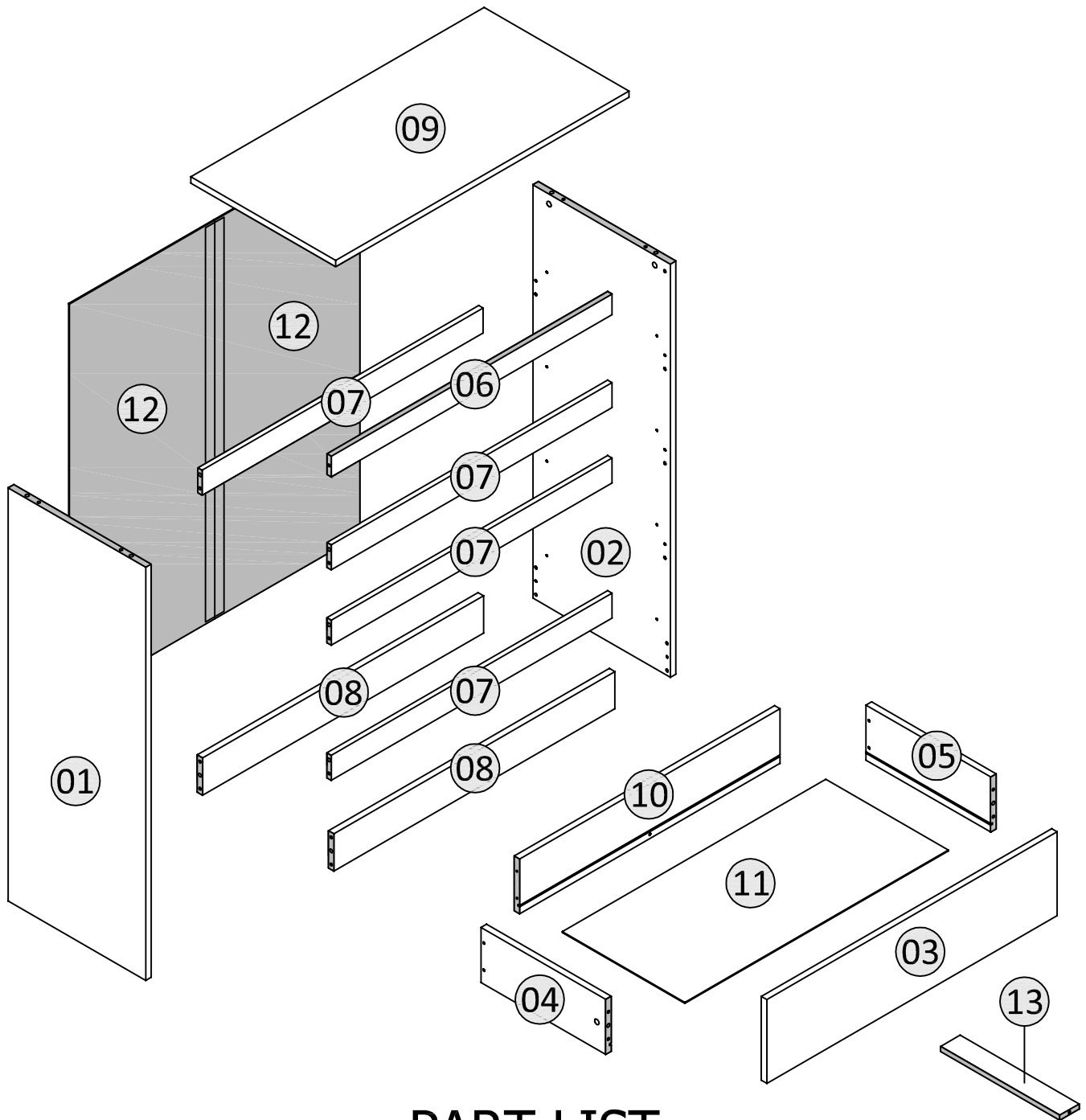
ANY SPANNERS OR ALLEN KEYS REQUIRED ARE INCLUDED WITH THE FITTING KIT.

DO NOT FOR ANY REASON USE A POWER TOOL TO ASSEMBLE THIS PRODUCT. ITS USE WILL INVALIDATE ANY CLAIM YOU MAY HAVE AND COULD MAKE THIS PRODUCT UNSAFE.

DEPENDING ON THE AMOUNT OF USE THIS PRODUCT RECEIVES. IT MAY BE NECESSARY TO TIGHTEN UP THE FIXINGS FROM TIME TO TIME. THIS IS COMPLETELY NORMAL FOR ANY FLAT PACK FURNITURE. DO NOT OVERTIGHTEN FIXINGS.

FOR CLEANING, YOU MAY USE A DAMP CLOTH (NOT WET). DO NOT USE POLISH, DETERGENT OR CHEMICAL CLEANERS.

THIS SURFACE OF THIS ITEM IS NOT HEAT RESISTANT. ALWAYS USE A PLACE MAT UNDER HOT OR COLD ITEMS TO PREVENT MARKING.



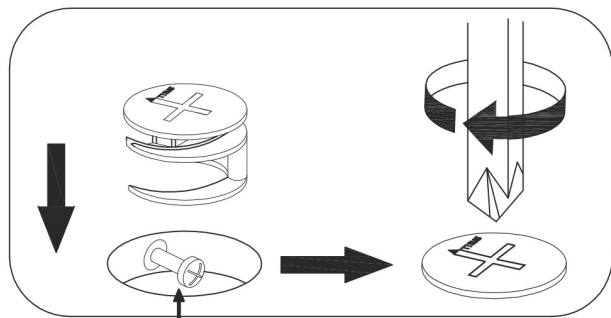
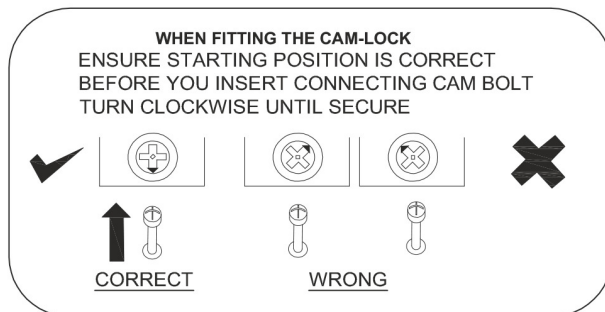
## PART LIST

| <b>Part Number</b> | <b>Part Code</b>    | <b>Part Description</b> | <b>Quantity</b> | <b>Carton</b> |
|--------------------|---------------------|-------------------------|-----------------|---------------|
| 01                 | S100-102-133-TA1-01 | Left Panel              | 1               | 1/2           |
| 02                 | S100-102-133-TA1-02 | Right Panel             | 1               | 1/2           |
| 03                 | S100-102-133-TA1-03 | Drawer Front            | 4               | 1/2           |
| 04                 | S100-102-133-TA1-04 | Drawer Left Panel       | 4               | 2/2           |
| 05                 | S100-102-133-TA1-05 | Drawer Right Panel      | 4               | 2/2           |
| 06                 | S100-102-133-TA1-06 | Top Support Panel       | 1               | 2/2           |
| 07                 | S100-102-133-TA1-07 | Centre Support Panel    | 4               | 2/2           |
| 08                 | S100-102-133-TA1-08 | Bottom Support Panel    | 2               | 2/2           |
| 09                 | S100-102-133-TA1-09 | Top Panel               | 1               | 1/2           |
| 10                 | S100-102-133-TA1-10 | Drawer Back Panel       | 4               | 2/2           |
| 11                 | S100-102-133-TA1-11 | Drawer Bottom Panel     | 4               | 2/2           |
| 12                 | S100-102-133-TA1-12 | Back Panel              | 2               | 1/2           |
| 13                 | S100-102-133-TA1-13 | Drawer Support Panel    | 4               | 1/2           |

# HARDWARE LIST

| No. | Part Name                  |  | Qty    |
|-----|----------------------------|--|--------|
| A   | 5575 Cam Nut               |   | 24     |
| B   | Cam Bolt                   |   | 24     |
| C   | M6 x 30mm Wood Dowel       |   | 42     |
| D   | 38mm Chipboard Screw       |   | 20     |
| E   | 14mm Chipboard Screw       |   | 44     |
| F   | 14" Drawer Slide           |  | 4 sets |
| G   | PVC L Bracket              |   | 1      |
| H   | Table Pin                  |   | 4      |
| J   | Steel Nail                 |   | 45     |
| K   | Safety Pack (4 x 20mm x 1) |   | 1      |

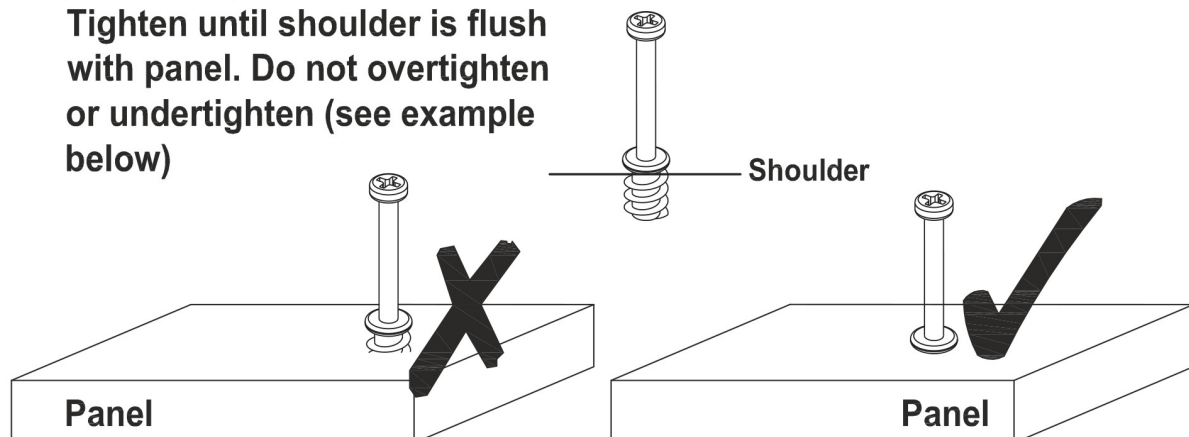
## TIPS FOR FITTING CAM-LOCKS



Cam bolt head needs to be in centre

### CAMBOLT

Tighten until shoulder is flush with panel. Do not overtighten or undertighten (see example below)



# STEP 1

## PARTS REQUIRED

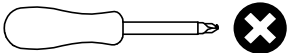
01- LEFT PANEL x1

## HARDWARE REQUIRED

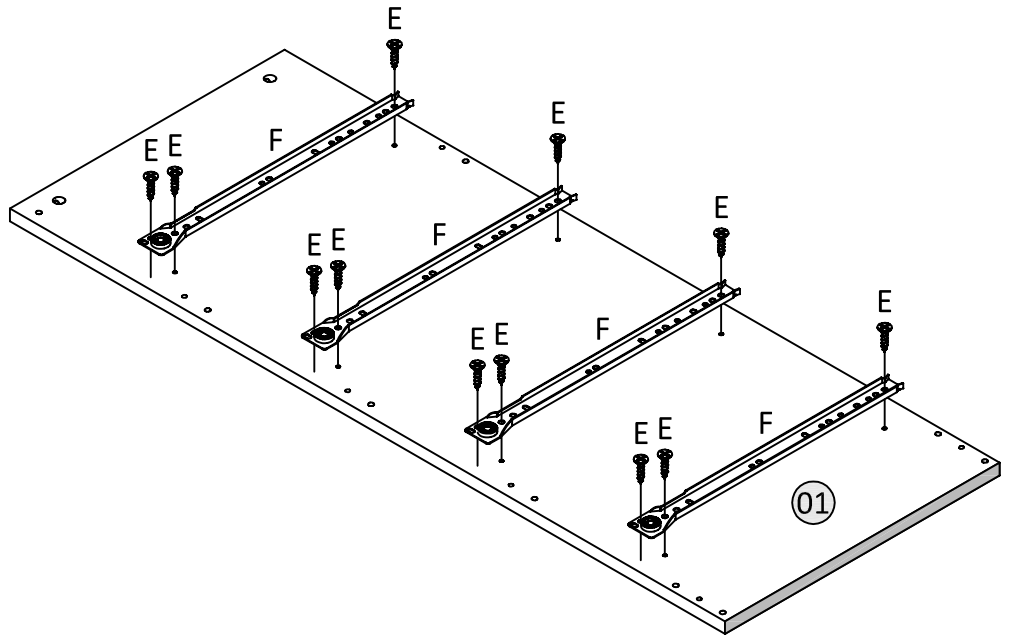
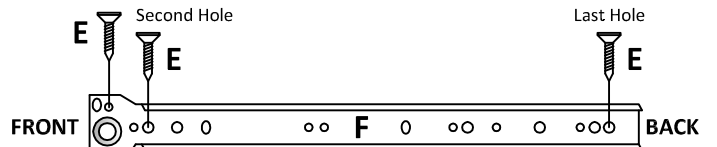
E  12

F  04

## TOOLS REQUIRED



To Assembly the Drawer Slide, Please Follow Step as Below




# STEP 2

## PARTS REQUIRED

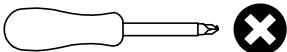
02- RIGHT PANEL x1

## HARDWARE REQUIRED

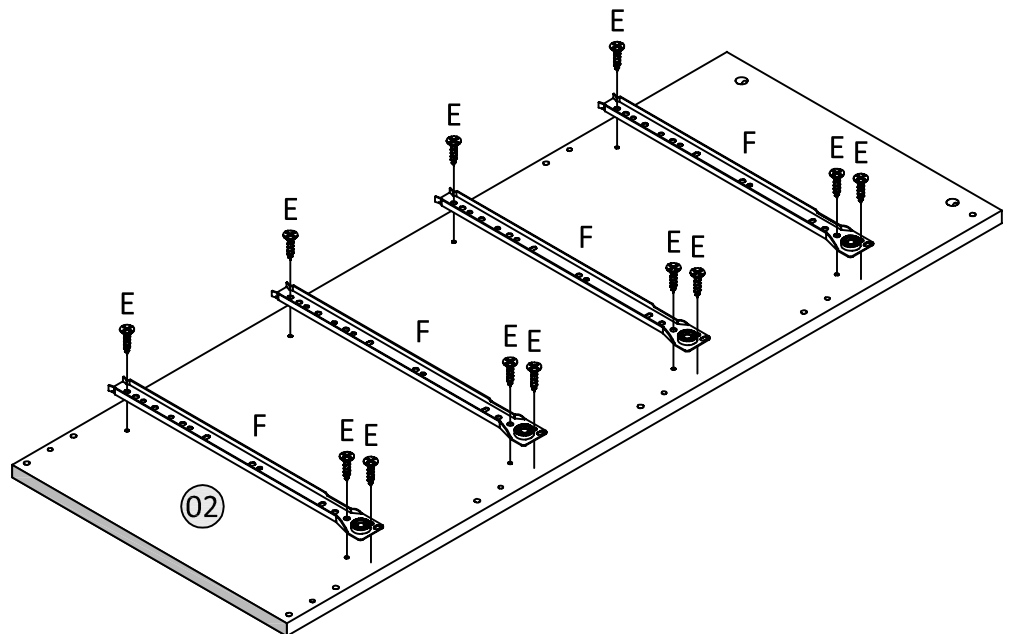
E  12

F  04

## TOOLS REQUIRED



To Assembly the Drawer Slide, Please Follow Step as Below



# STEP 3

## PARTS REQUIRED


01- LEFT PANEL x1

02- RIGHT PANEL x1

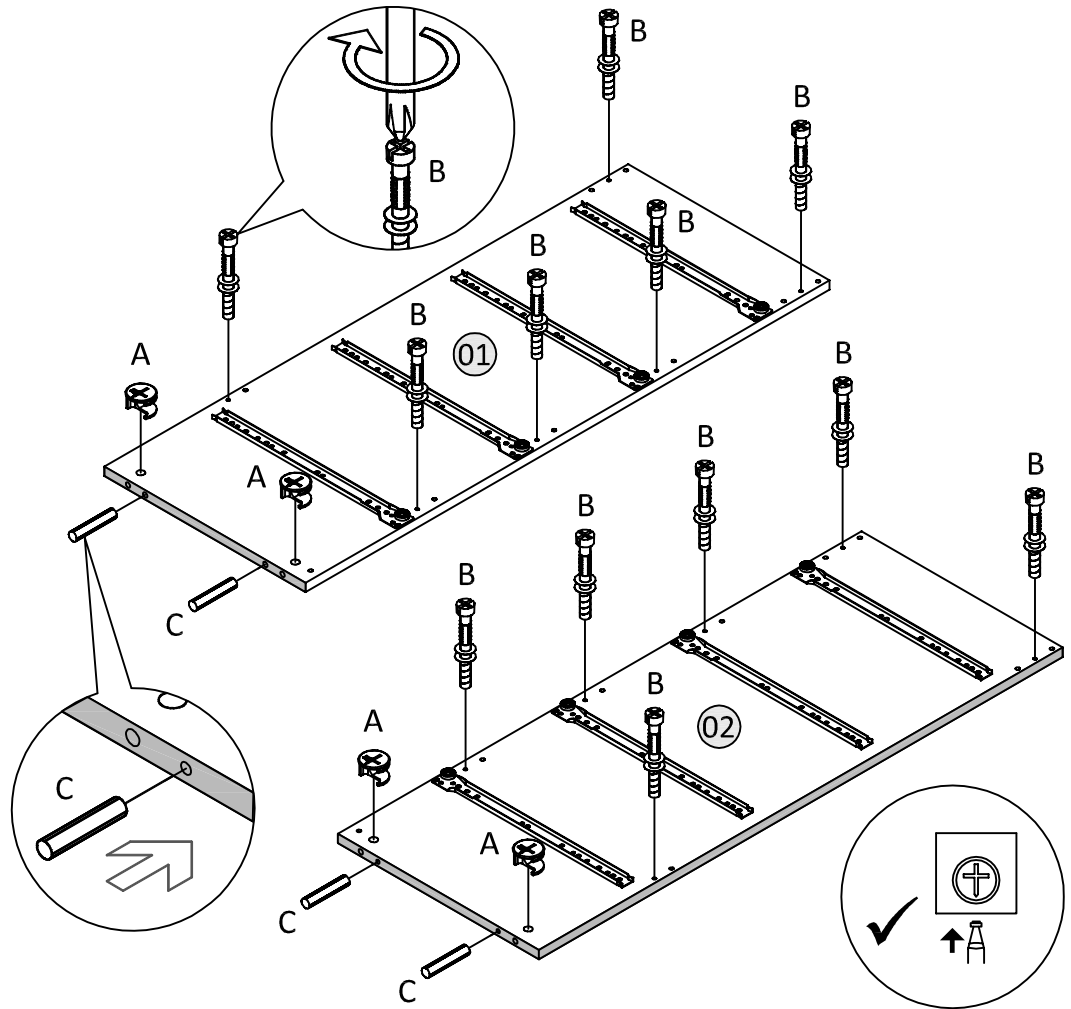
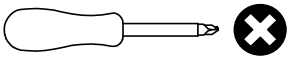
## HARDWARE REQUIRED

A  04

B  12

C  04

## TOOLS REQUIRED



# STEP 4

## PARTS REQUIRED

06- TOP SUPPORT PANEL x1

07- CENTRE SUPPORT PANEL x4


08- BOTTOM SUPPORT PANEL x2

09- TOP PANEL x1

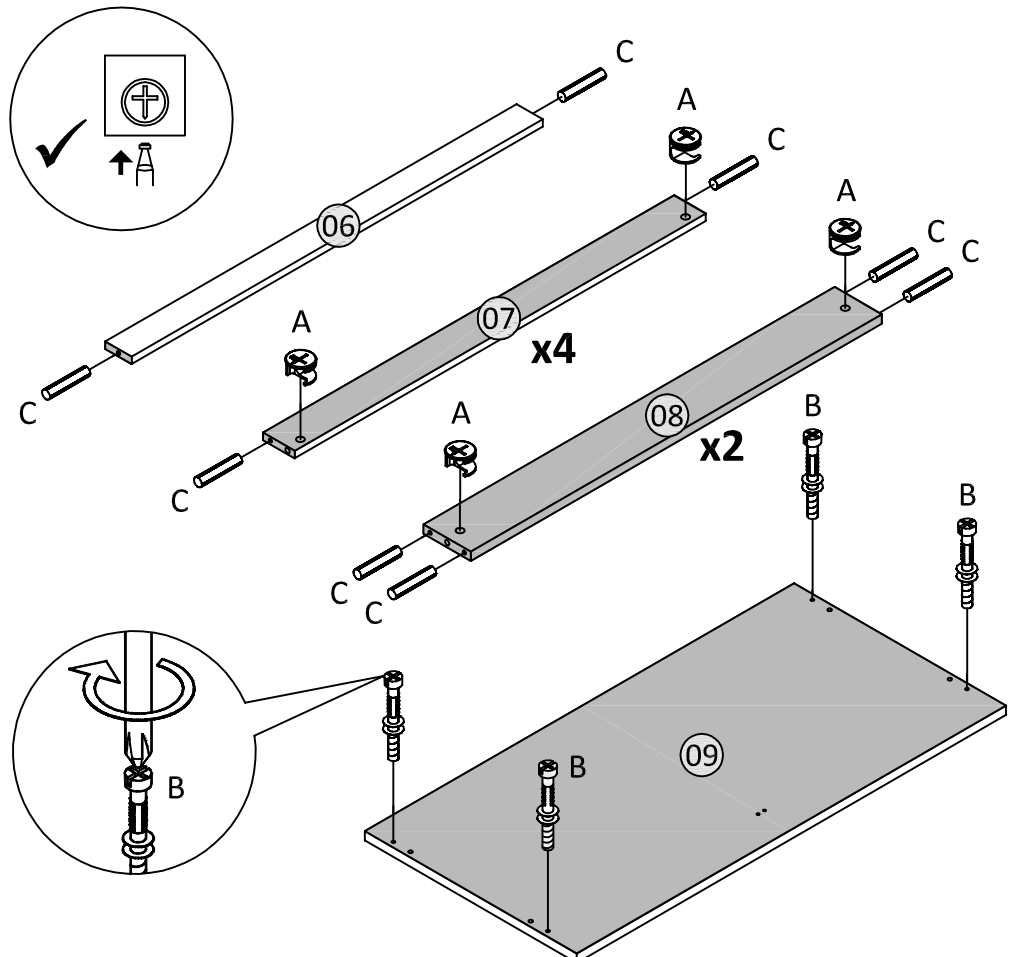
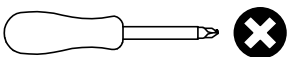
## HARDWARE REQUIRED

A  12

B  04

C  18

## TOOLS REQUIRED



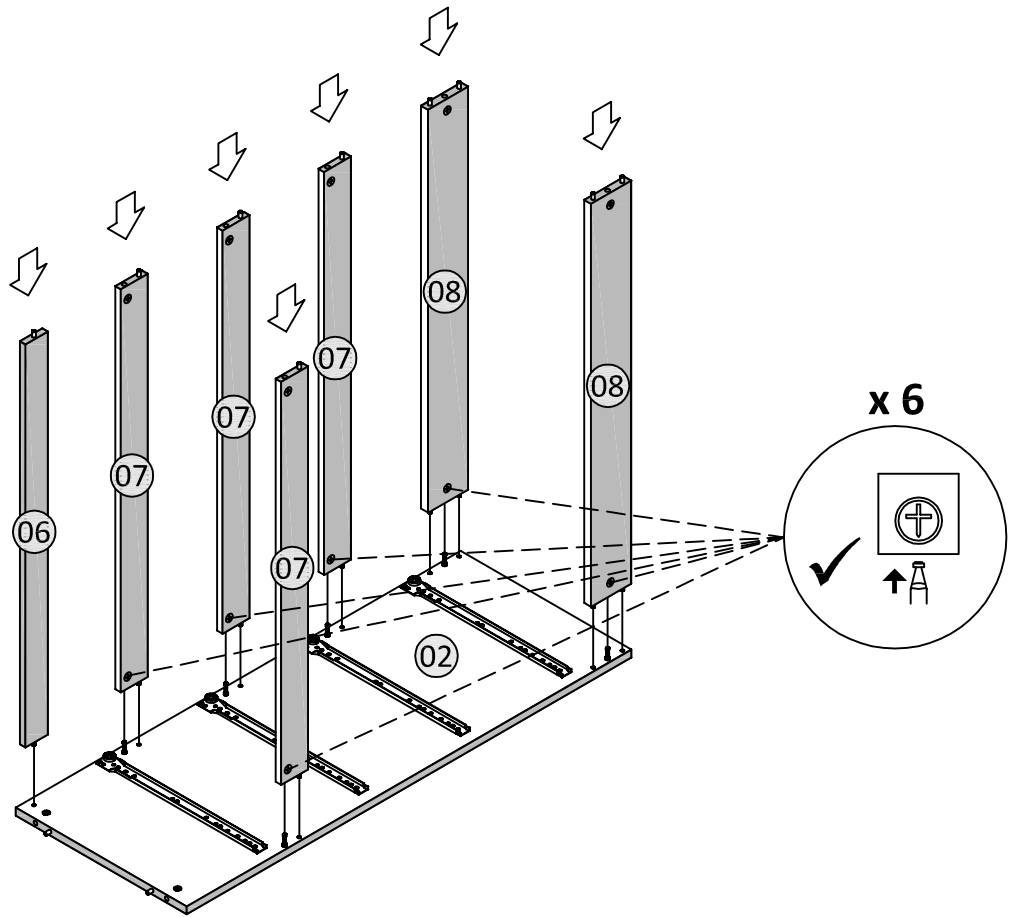
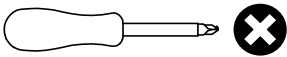
# STEP 5

## PARTS REQUIRED

|                          |    |
|--------------------------|----|
| 02- RIGHT PANEL          | x1 |
| 06- TOP SUPPORT PANEL    | x1 |
| 07- CENTRE SUPPORT PANEL | x4 |
| 08- BOTTOM SUPPORT PANEL | x2 |

## HARDWARE REQUIRED

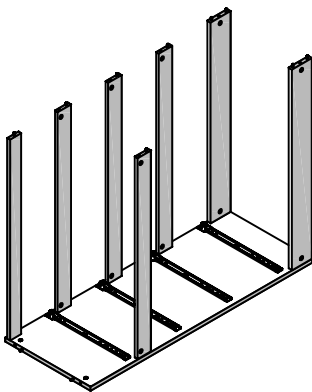
## TOOLS REQUIRED



# STEP 6

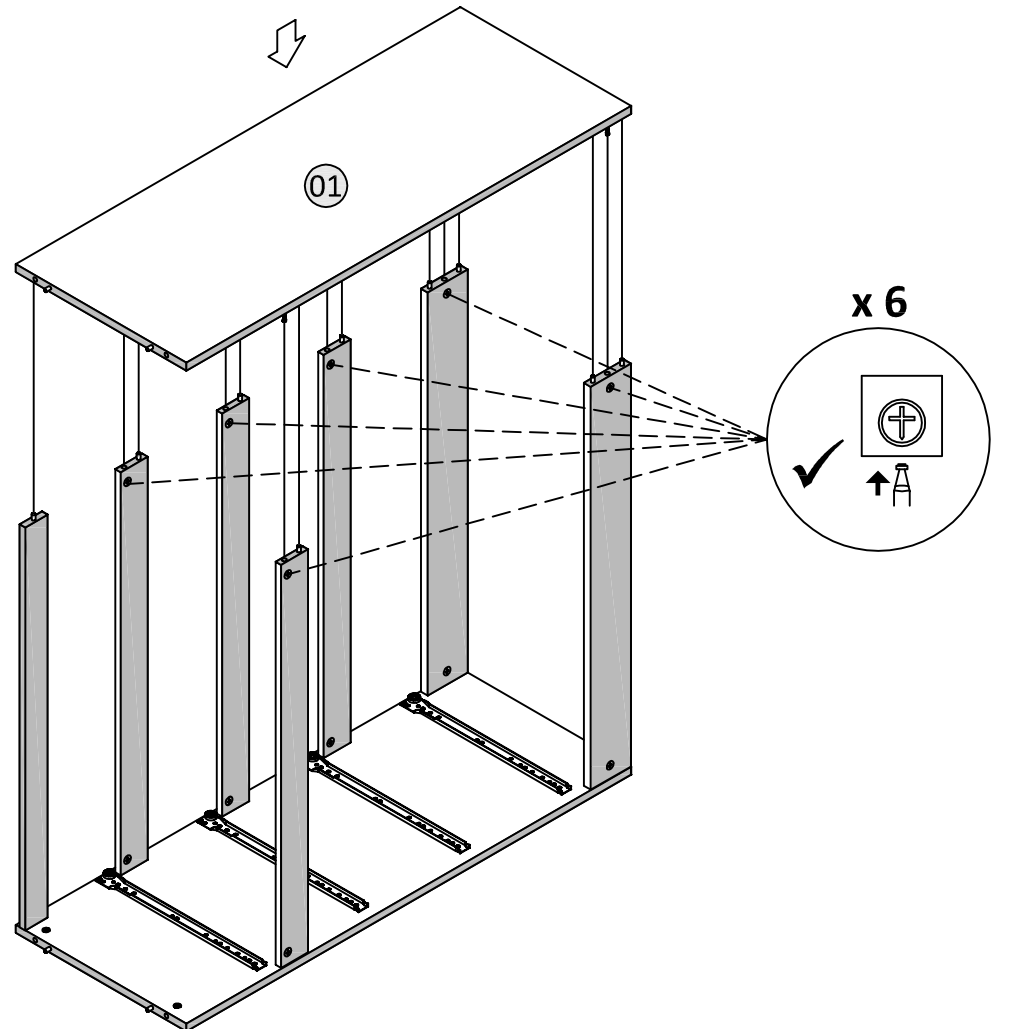
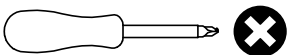
## PARTS REQUIRED

|                |    |
|----------------|----|
| 01- LEFT PANEL | x1 |
|----------------|----|



## HARDWARE REQUIRED

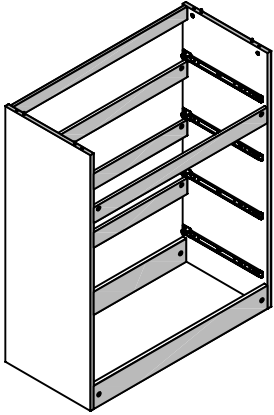
## TOOLS REQUIRED



# STEP 7

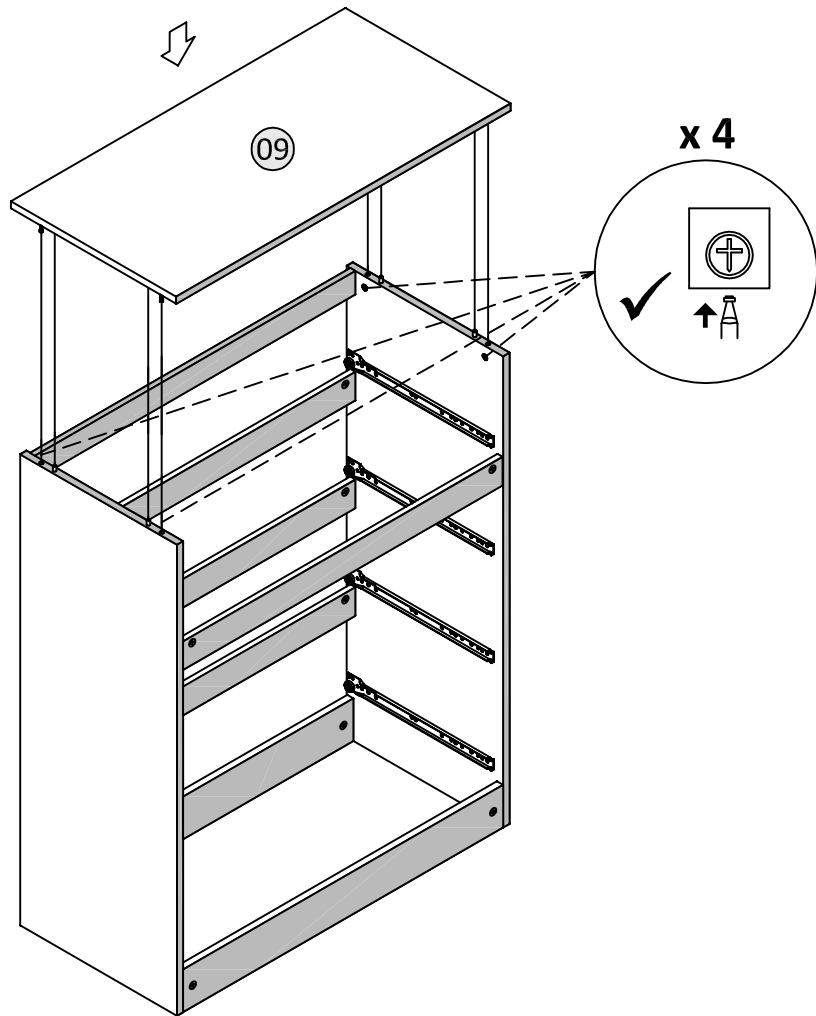
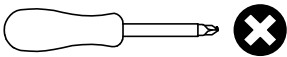
## PARTS REQUIRED

09- TOP PANEL x1



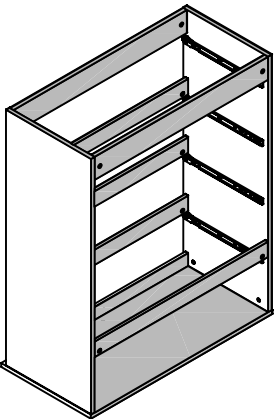
## HARDWARE REQUIRED

## TOOLS REQUIRED



# STEP 8

## PARTS REQUIRED

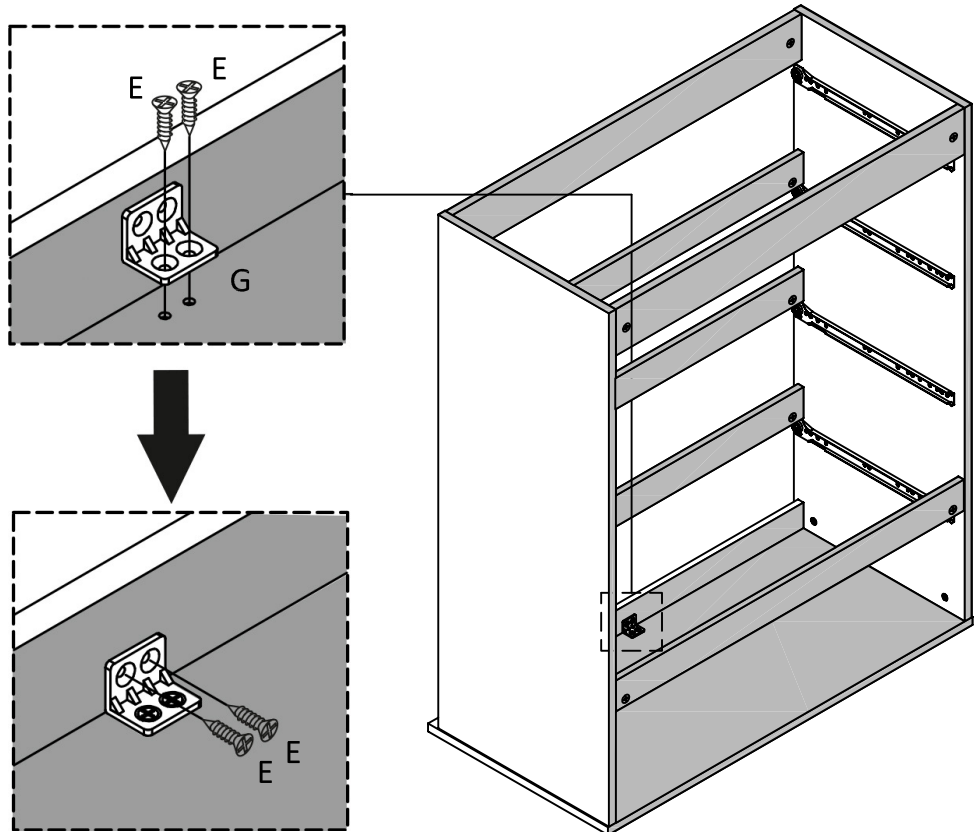
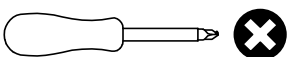


## HARDWARE REQUIRED

E  04

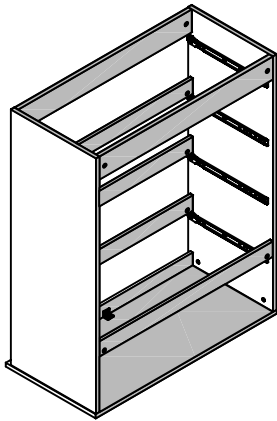
G  01

## TOOLS REQUIRED

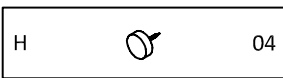


# STEP 9

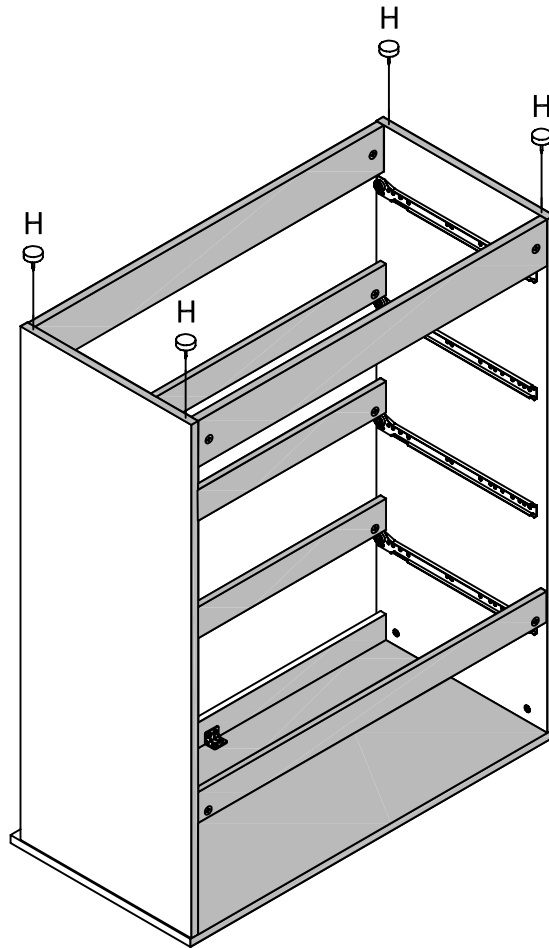
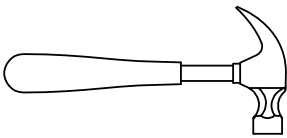
**PARTS REQUIRED**



**HARDWARE REQUIRED**



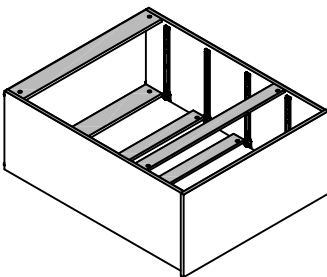
**TOOLS REQUIRED**



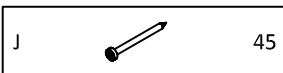
# STEP 10

**PARTS REQUIRED**

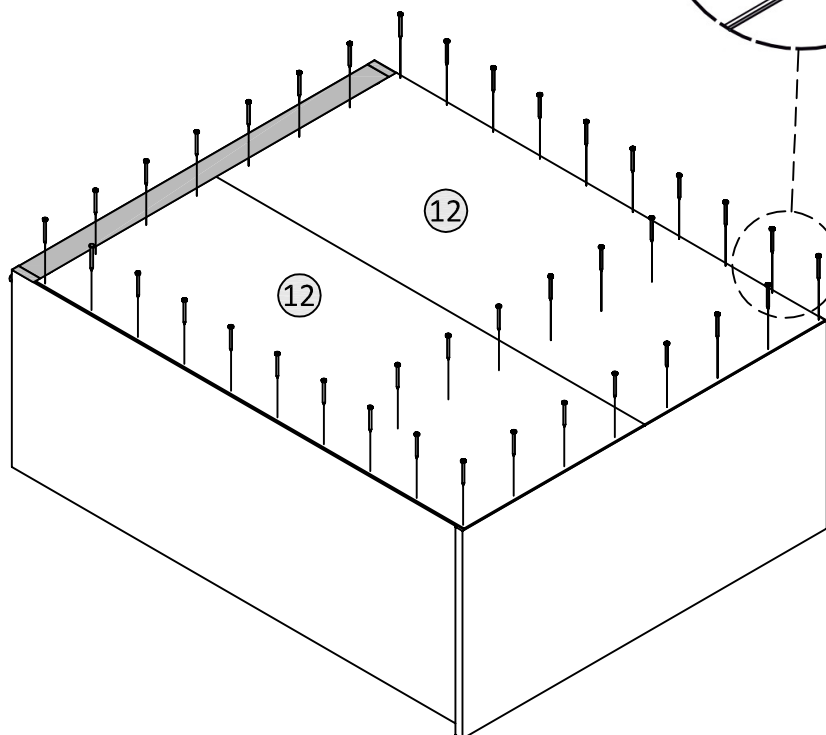
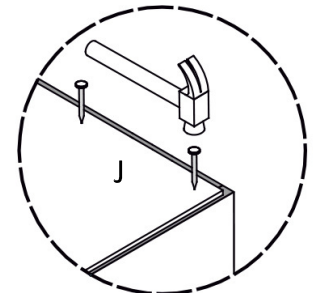
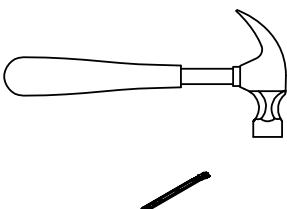
12- BACK PANEL x2



**HARDWARE REQUIRED**



**TOOLS REQUIRED**





# STEP 11


## PARTS REQUIRED

|                          |    |
|--------------------------|----|
| 03- DRAWER FRONT         | x4 |
| 04- DRAWER LEFT PANEL    | x4 |
| 05- DRAWER RIGHT PANEL   | x4 |
| 13- DRAWER SUPPORT PANEL | x4 |

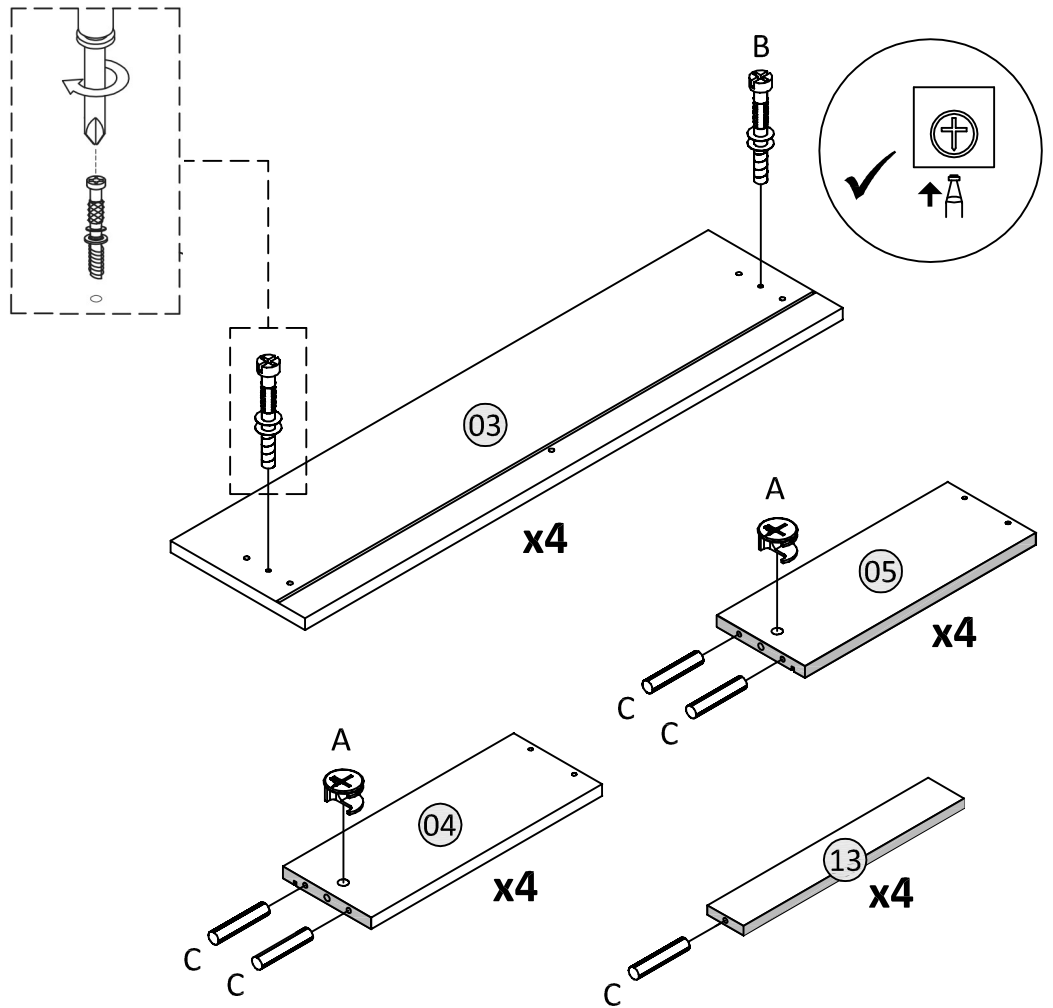
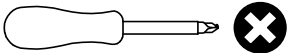
## HARDWARE REQUIRED

|   |   |    |
|---|---|----|
| A |  | 08 |
|---|---|----|

|   |   |    |
|---|---|----|
| B |  | 08 |
|---|---|----|

|   |   |    |
|---|---|----|
| C |  | 20 |
|---|---|----|

## TOOLS REQUIRED




# STEP 12

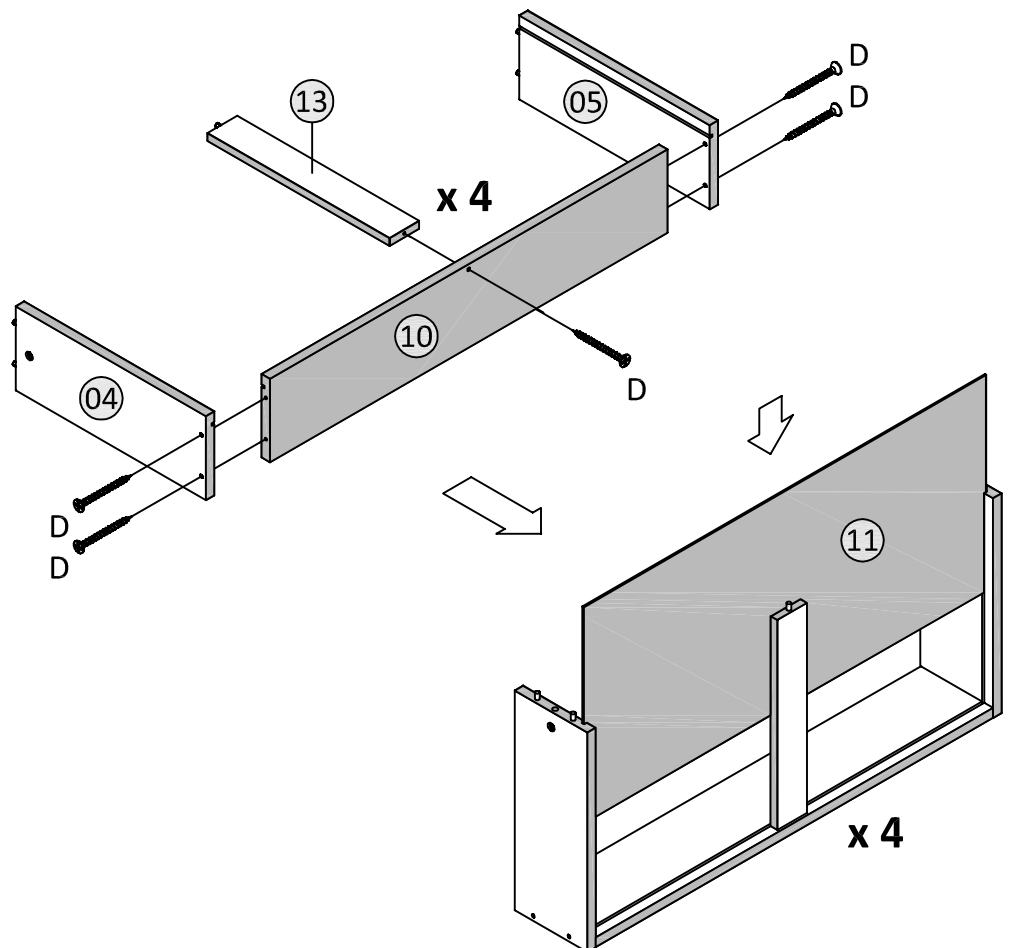
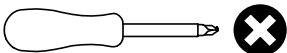
## PARTS REQUIRED

|                          |    |
|--------------------------|----|
| 04- DRAWER LEFT PANEL    | x4 |
| 05- DRAWER RIGHT PANEL   | x4 |
| 10- DRAWER BACK PANEL    | x4 |
| 11- DRAWER BOTTOM PANEL  | x4 |
| 13- DRAWER SUPPORT PANEL | x4 |

## HARDWARE REQUIRED

|   |   |    |
|---|---|----|
| D |  | 20 |
|---|---|----|

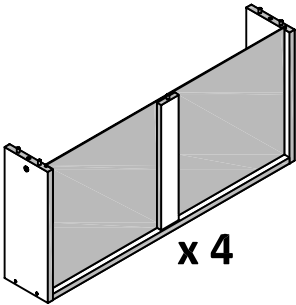
## TOOLS REQUIRED



# STEP 13


## PARTS REQUIRED

03- DRAWER FRONT x4

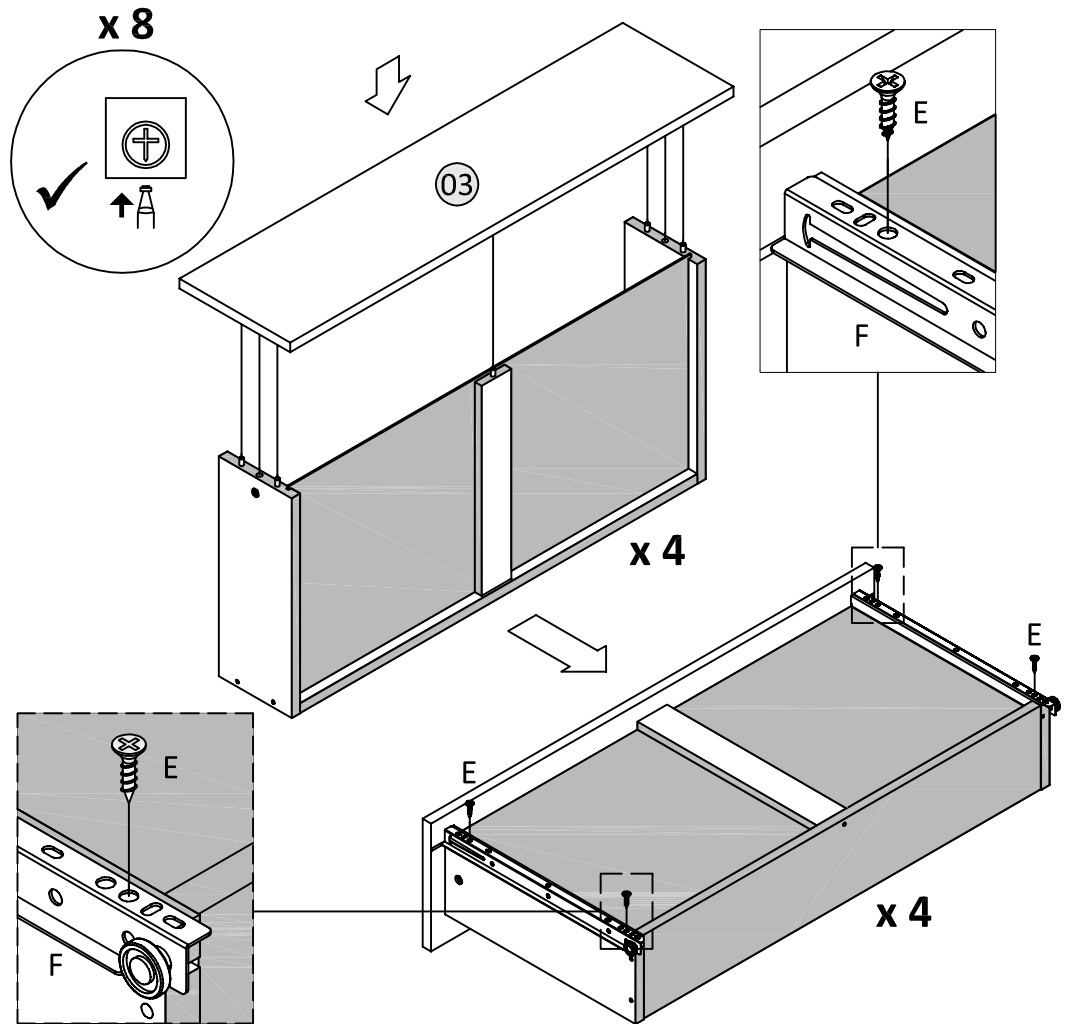
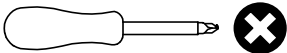


## HARDWARE REQUIRED

E  16

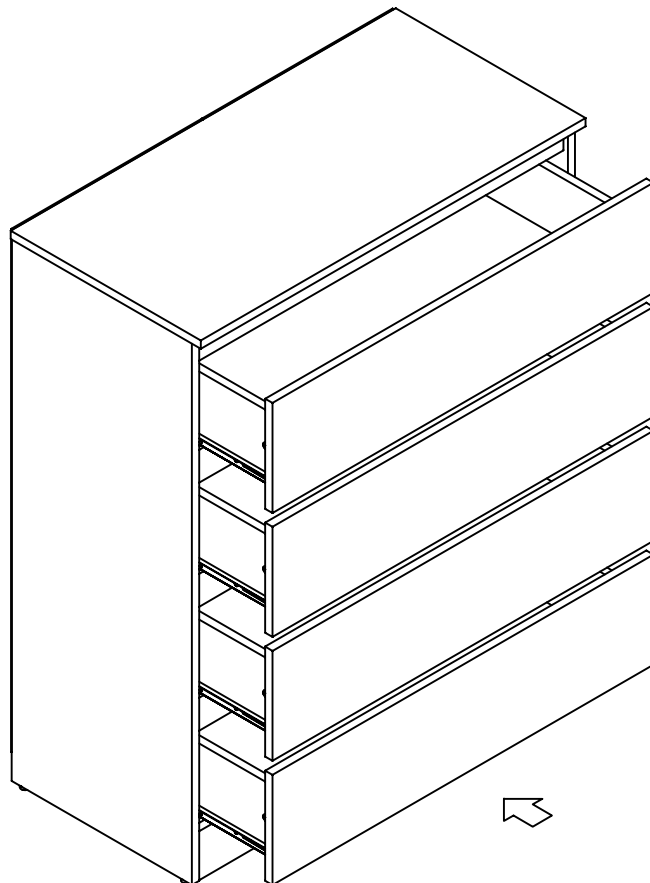
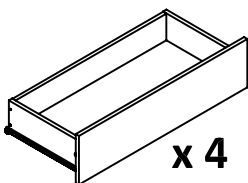
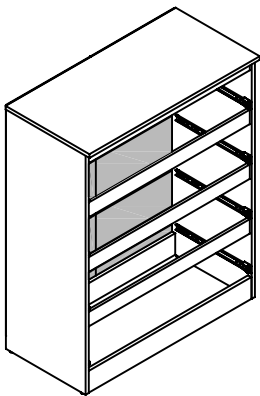
F  04

## TOOLS REQUIRED



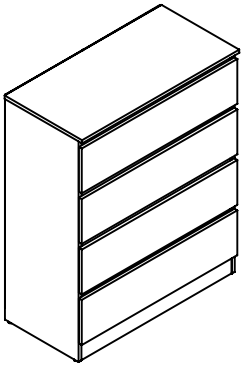
# STEP 14

## PARTS REQUIRED

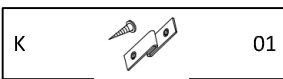


## STEP 15

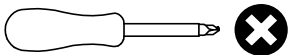
### PARTS REQUIRED



### HARDWARE REQUIRED



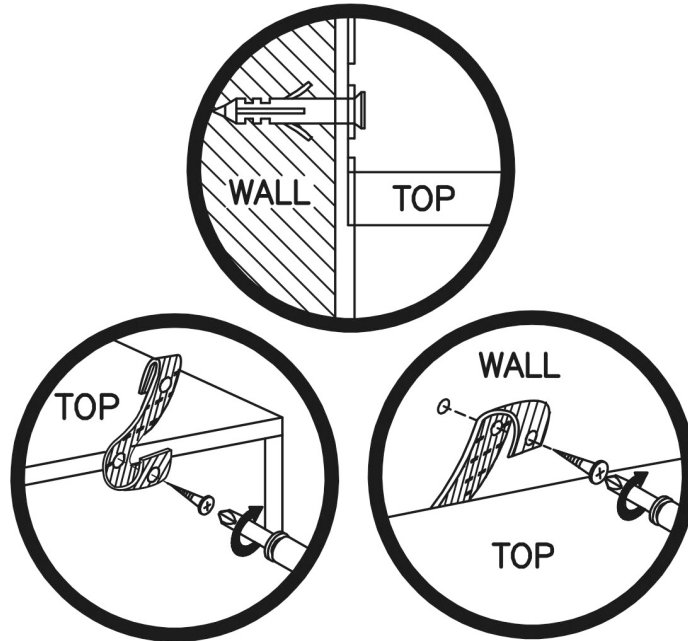
### TOOLS REQUIRED



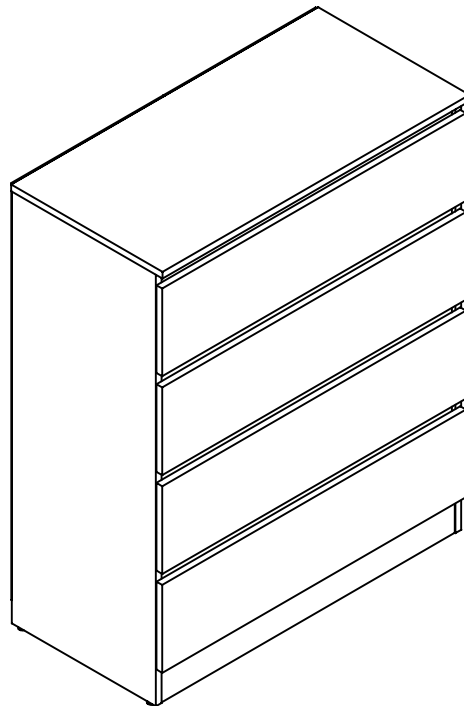
## WARNING

**Serious or fatal injuries can occur from furniture tipping over. To prevent the furniture from tipping over we recommend that it is permanently fixed to the wall.**

Wall fixings are not supplied with this product as different wall materials require different types of fixing devices. Please make sure you use fixings suitable for the walls in your home.

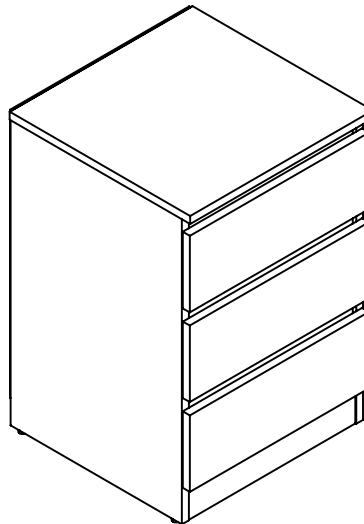


## STEP 16



# FINISH

# GREY MALVERN 3 DRAWER BEDSIDE ASSEMBLY INSTRUCTIONS



## FOR DOMESTIC USE ONLY

### IMPORTANT

### PLEASE READ BEFORE YOU CONTINUE FURTHER

THE PRODUCT YOU HAVE PURCHASED WILL GIVE YOU MANY YEARS OF SERVICE IF YOU FOLLOW THE GUIDELINES FOR ITS SAFE ASSEMBLY AND PERIODIC MAINTENANCE AND CLEANING.

ASSEMBLE ON A SOFT CLEAN SURFACE.

DO NOT USE ANY TOOLS OTHER THAN THOSE SHOWN.

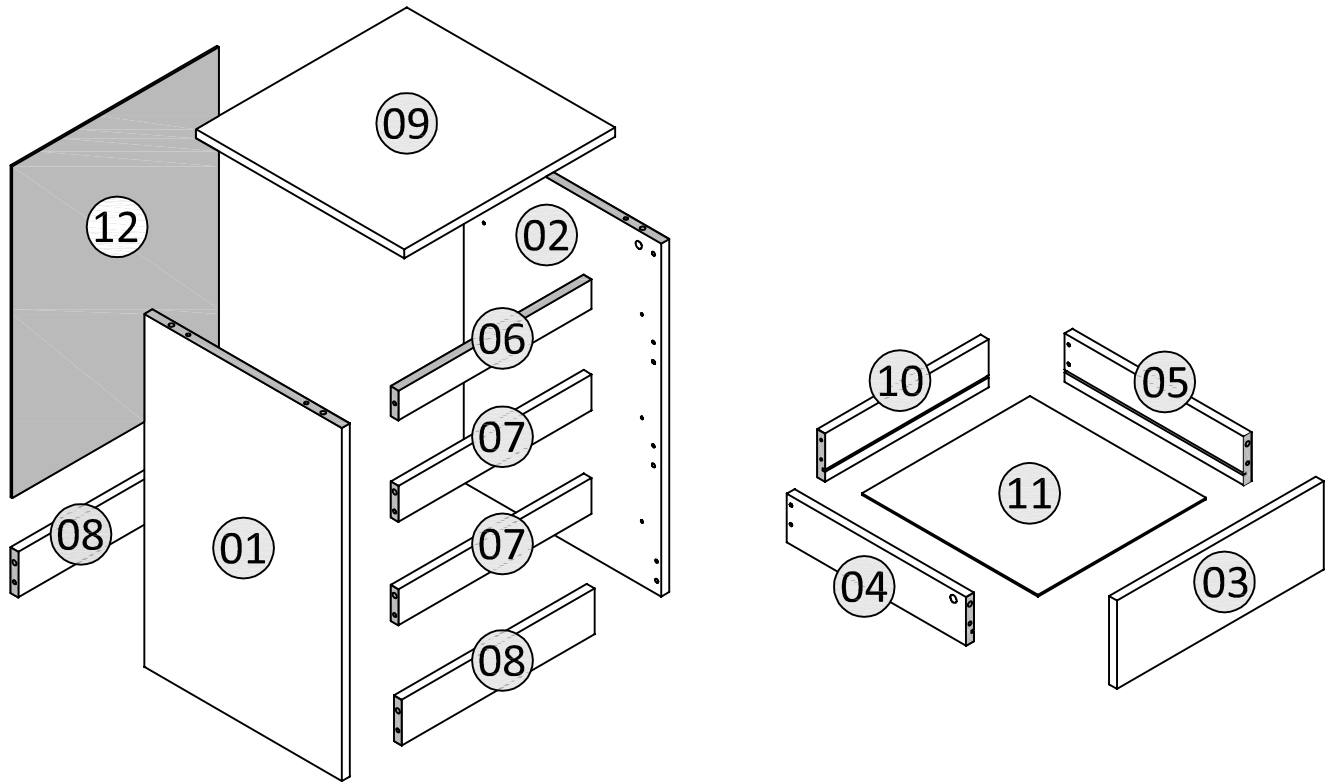
ANY SPANNERS OR ALLEN KEYS REQUIRED ARE INCLUDED WITH THE FITTING KIT.

DO NOT FOR ANY REASON USE A POWER TOOL TO ASSEMBLE THIS PRODUCT. ITS USE WILL INVALIDATE ANY CLAIM YOU MAY HAVE AND COULD MAKE THIS PRODUCT UNSAFE.

DEPENDING ON THE AMOUNT OF USE THIS PRODUCT RECEIVES. IT MAY BE NECESSARY TO TIGHTEN UP THE FIXINGS FROM TIME TO TIME. THIS IS COMPLETELY NORMAL FOR ANY FLAT PACK FURNITURE. DO NOT OVERTIGHTEN FIXINGS.

FOR CLEANING, YOU MAY USE A DAMP CLOTH (NOT WET). DO NOT USE POLISH, DETERGENT OR CHEMICAL CLEANERS.

THIS SURFACE OF THIS ITEM IS NOT HEAT RESISTANT. ALWAYS USE A PLACE MAT UNDER HOT OR COLD ITEMS TO PREVENT MARKING.



## PART LIST

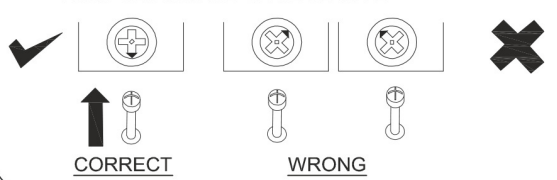
| <u>Part Number</u> | <u>Part Code</u>    | <u>Part Description</u> | <u>Quantity</u> | <u>Carton</u> |
|--------------------|---------------------|-------------------------|-----------------|---------------|
| 01                 | S100-103-069-TA1-01 | Left Panel              | 1               | 1/1           |
| 02                 | S100-103-069-TA1-02 | Right Panel             | 1               | 1/1           |
| 03                 | S100-103-069-TA1-03 | Drawer Front            | 3               | 1/1           |
| 04                 | S100-103-069-TA1-04 | Drawer Left Panel       | 3               | 1/1           |
| 05                 | S100-103-069-TA1-05 | Drawer Right Panel      | 3               | 1/1           |
| 06                 | S100-103-069-TA1-06 | Top Support Panel       | 1               | 1/1           |
| 07                 | S100-103-069-TA1-07 | Centre Support Panel    | 2               | 1/1           |
| 08                 | S100-103-069-TA1-08 | Bottom Support Panel    | 2               | 1/1           |
| 09                 | S100-103-069-TA1-09 | Top Panel               | 1               | 1/1           |
| 10                 | S100-103-069-TA1-10 | Drawer Back Panel       | 3               | 1/1           |
| 11                 | S100-103-069-TA1-11 | Drawer Bottom Panel     | 3               | 1/1           |
| 12                 | S100-103-069-TA1-12 | Back Panel              | 1               | 1/1           |

# HARDWARE LIST

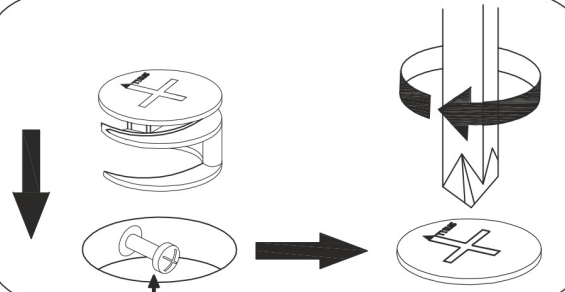
| No. | Part Name                  |  | Qty    |
|-----|----------------------------|--|--------|
| A   | 5575 Cam Nut               |   | 18     |
| B   | Cam Bolt                   |   | 18     |
| C   | M6 x 30mm Wood Dowel       |   | 20     |
| D   | 38mm Chipboard Screw       |   | 12     |
| E   | 14mm Chipboard Screw       |   | 34     |
| F   | 14" Drawer Slide           |  | 3 sets |
| G   | PVC L Bracket              |   | 1      |
| H   | Table Pin                  |   | 4      |
| J   | Steel Nail                 |   | 20     |
| K   | Safety Pack (4 x 20mm x 1) |   | 1      |

## TIPS FOR FITTING CAM-LOCKS

**WHEN FITTING THE CAM-LOCK**  
ENSURE STARTING POSITION IS CORRECT  
BEFORE YOU INSERT CONNECTING CAM BOLT  
TURN CLOCKWISE UNTIL SECURE



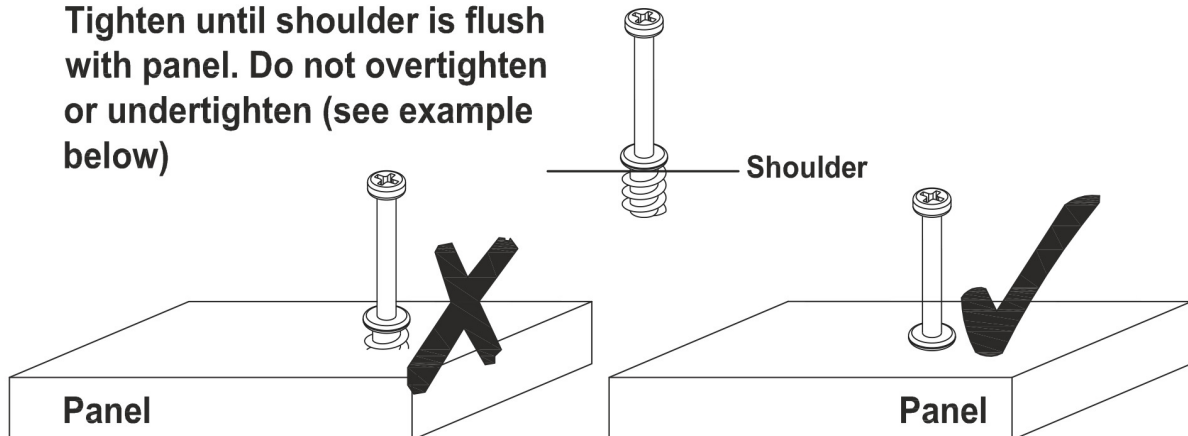
**CORRECT**                      **WRONG**



Cam bolt head needs to be in centre

### CAMBOLT

Tighten until shoulder is flush with panel. Do not overtighten or undertighten (see example below)



Panel                                      Panel

# STEP 1

## PARTS REQUIRED

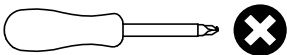
01- LEFT PANEL x1

## HARDWARE REQUIRED

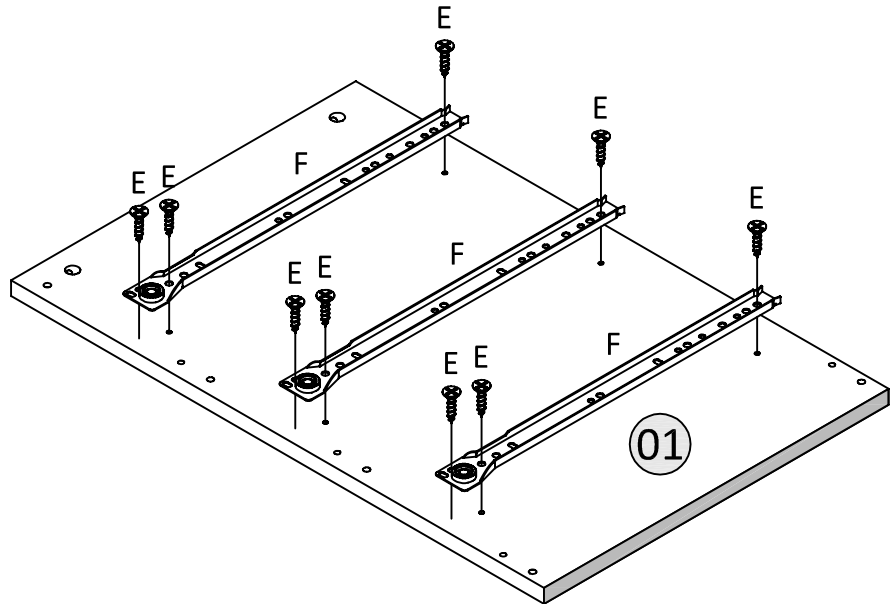
E  09

F  03

## TOOLS REQUIRED



To Assembly the Drawer Slide, Please Follow Step as Below




# STEP 2

## PARTS REQUIRED

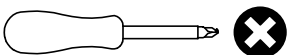
02- RIGHT PANEL x1

## HARDWARE REQUIRED

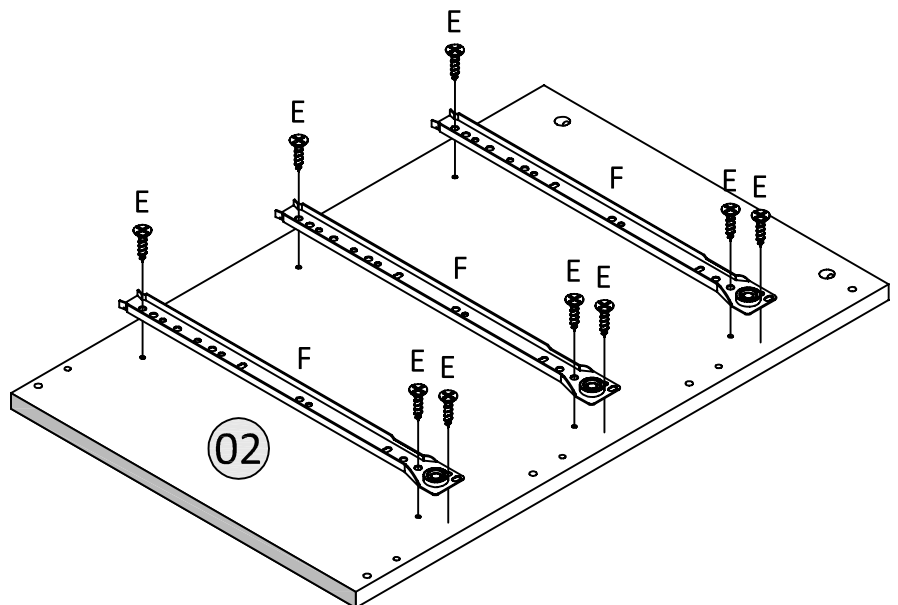
E  09

F  03

## TOOLS REQUIRED



To Assembly the Drawer Slide, Please Follow Step as Below



# STEP 3

## PARTS REQUIRED


01- LEFT PANEL x1

02- RIGHT PANEL x1

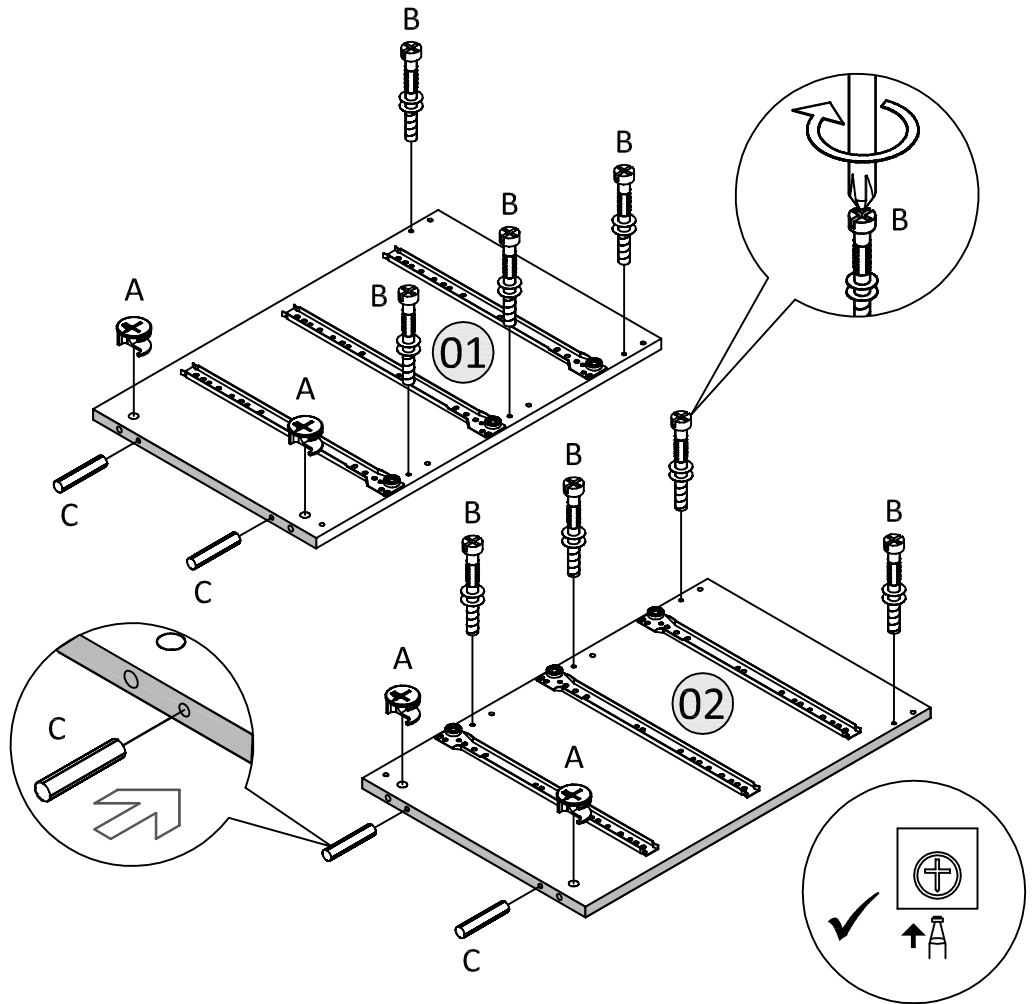
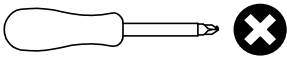
## HARDWARE REQUIRED

A  04

B  08

C  04

## TOOLS REQUIRED



# STEP 4

## PARTS REQUIRED

06- TOP SUPPORT PANEL x1

07- CENTRE SUPPORT PANEL x2


08- BOTTOM SUPPORT PANEL x2

09- TOP PANEL x1

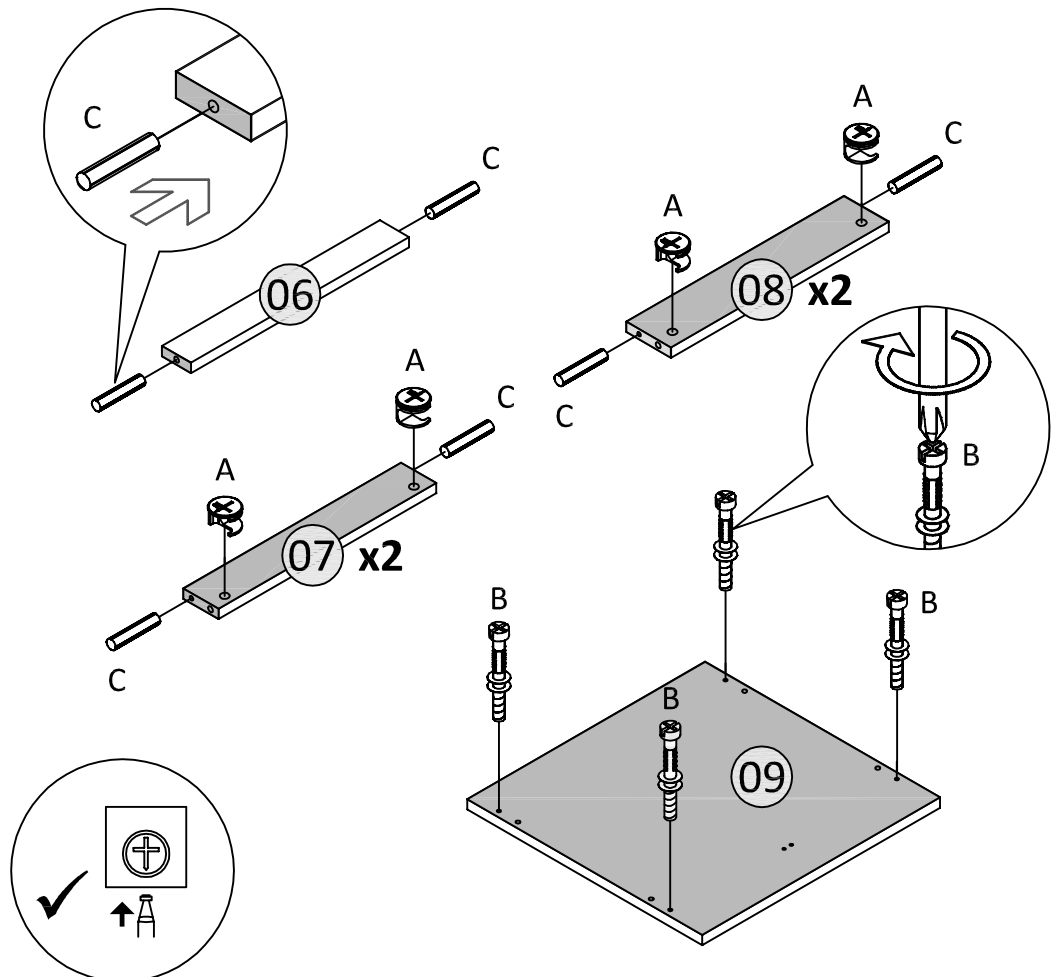
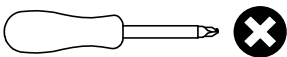
## HARDWARE REQUIRED

A  08

B  04

C  10

## TOOLS REQUIRED





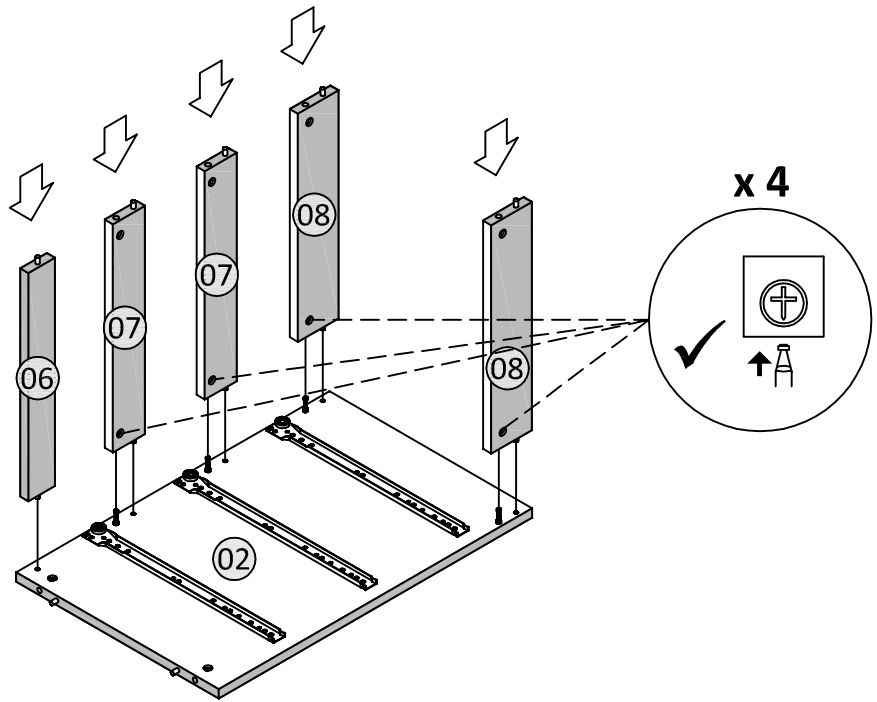
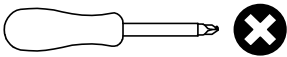
# STEP 5

## PARTS REQUIRED

|                          |    |
|--------------------------|----|
| 02- RIGHT PANEL          | x1 |
| 06- TOP SUPPORT PANEL    | x1 |
| 07- CENTRE SUPPORT PANEL | x2 |
| 08- BOTTOM SUPPORT PANEL | x2 |

## HARDWARE REQUIRED

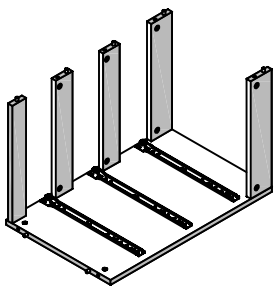
## TOOLS REQUIRED



# STEP 6

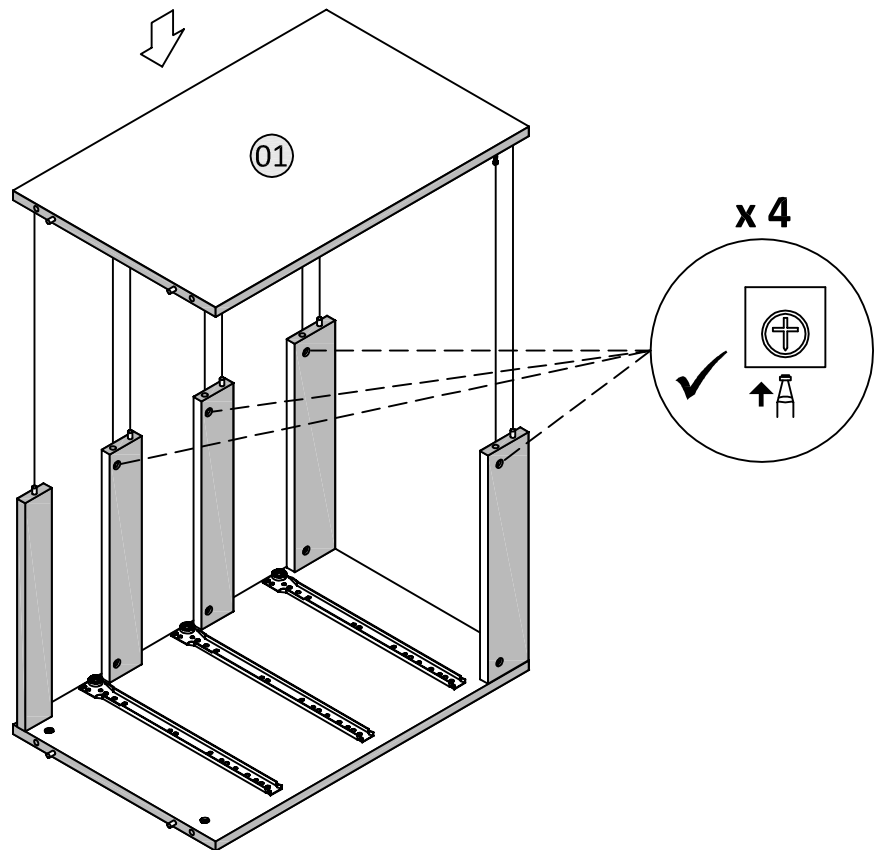
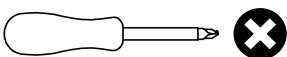
## PARTS REQUIRED

|                |    |
|----------------|----|
| 01- LEFT PANEL | x1 |
|----------------|----|



## HARDWARE REQUIRED

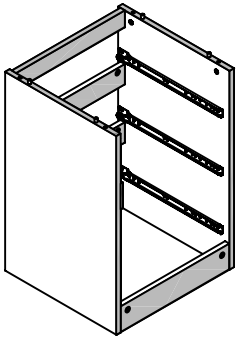
## TOOLS REQUIRED



# STEP 7

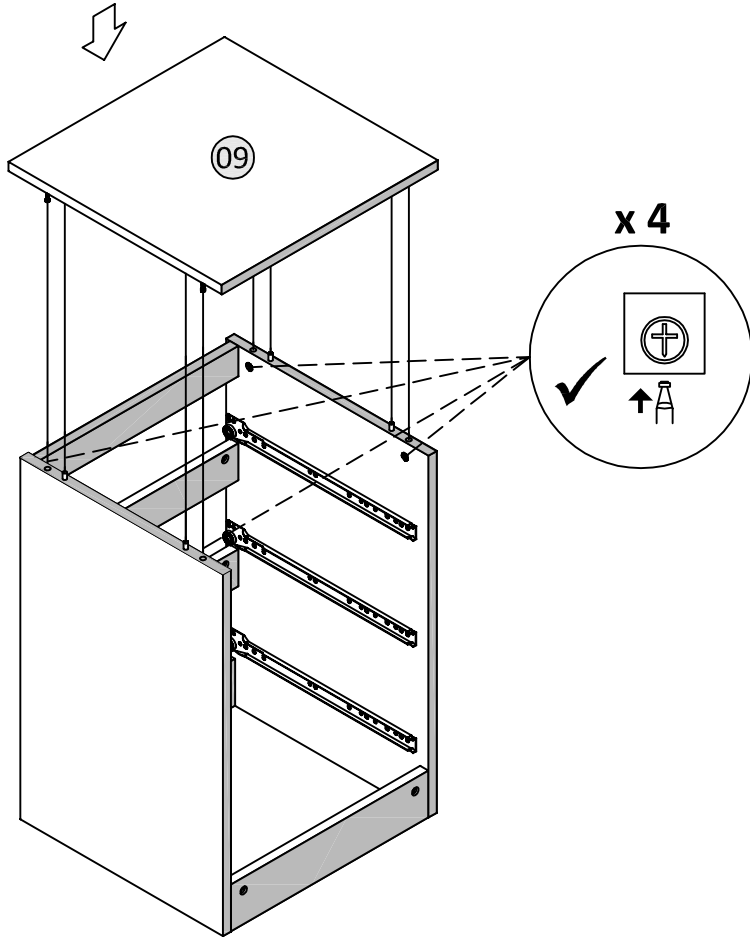
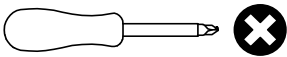
## PARTS REQUIRED

09- TOP PANEL x1



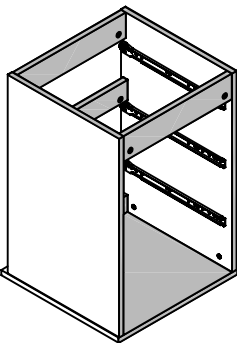
## HARDWARE REQUIRED

## TOOLS REQUIRED



# STEP 8

## PARTS REQUIRED

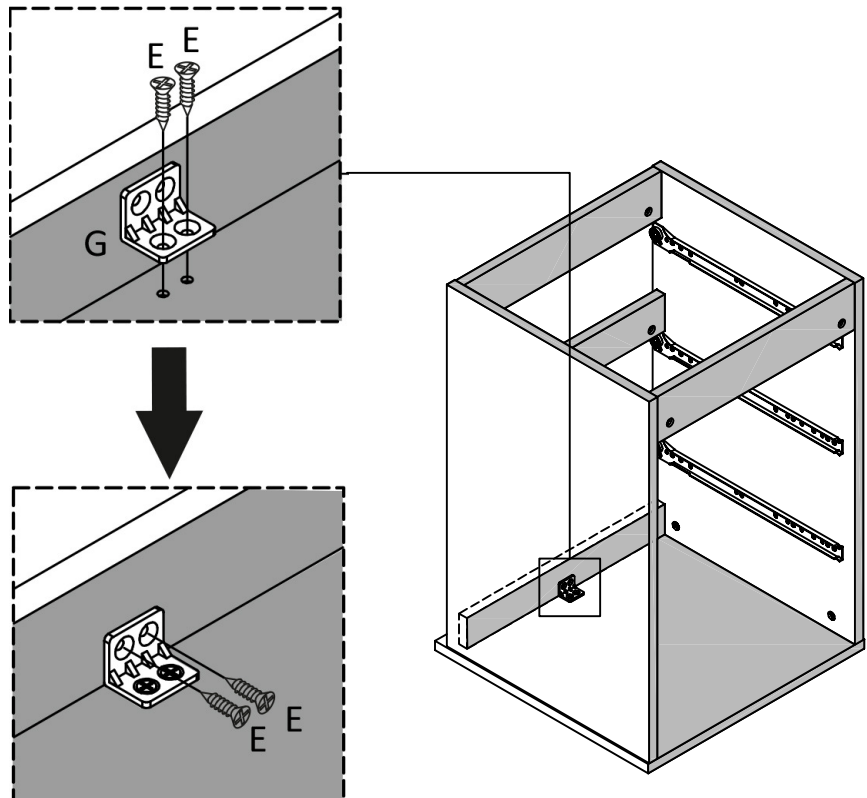
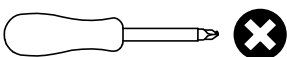


## HARDWARE REQUIRED

E  04

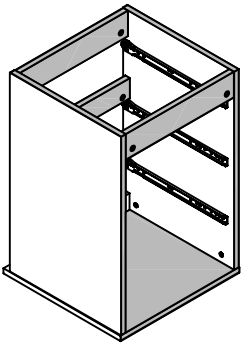
G  01

## TOOLS REQUIRED

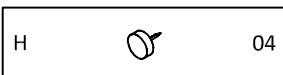


# STEP 9

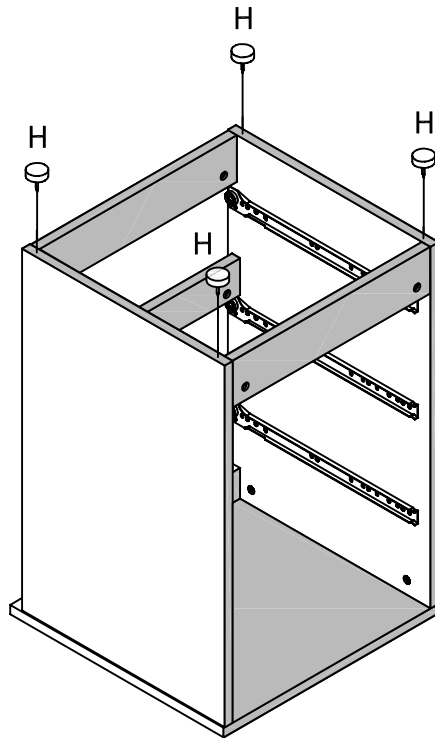
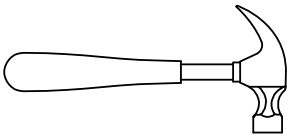
**PARTS REQUIRED**



**HARDWARE REQUIRED**

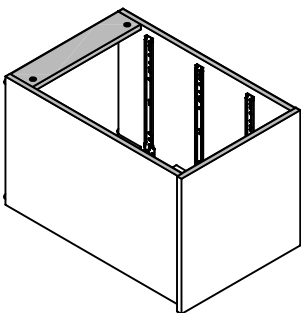
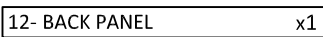


**TOOLS REQUIRED**

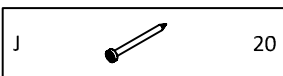


# STEP 10

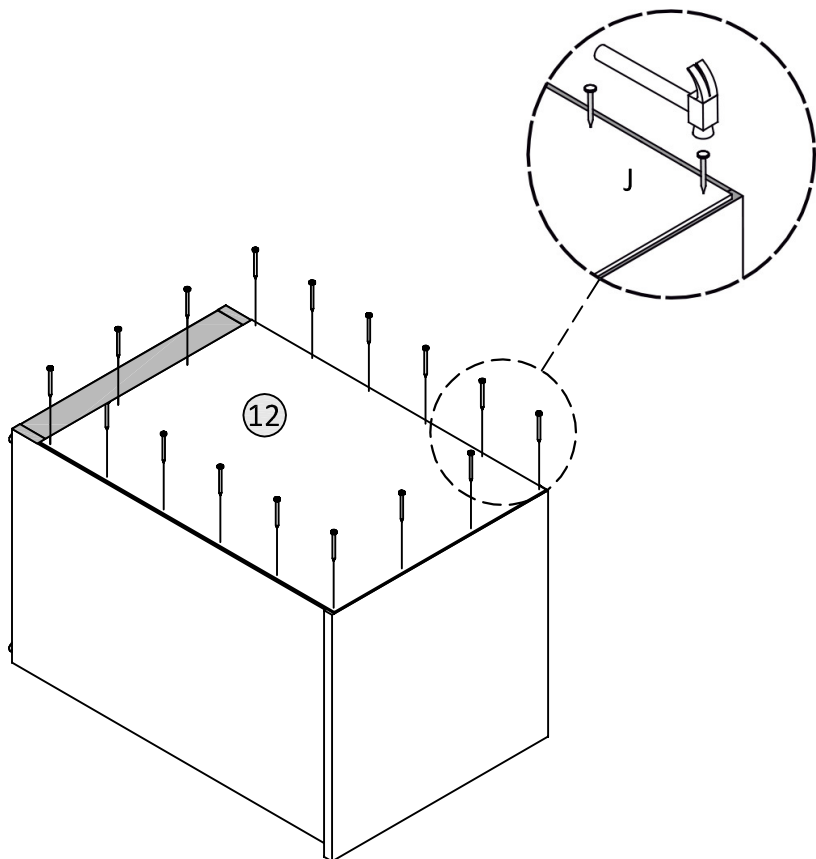
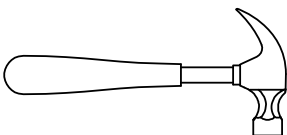
**PARTS REQUIRED**



**HARDWARE REQUIRED**



**TOOLS REQUIRED**






# STEP 11

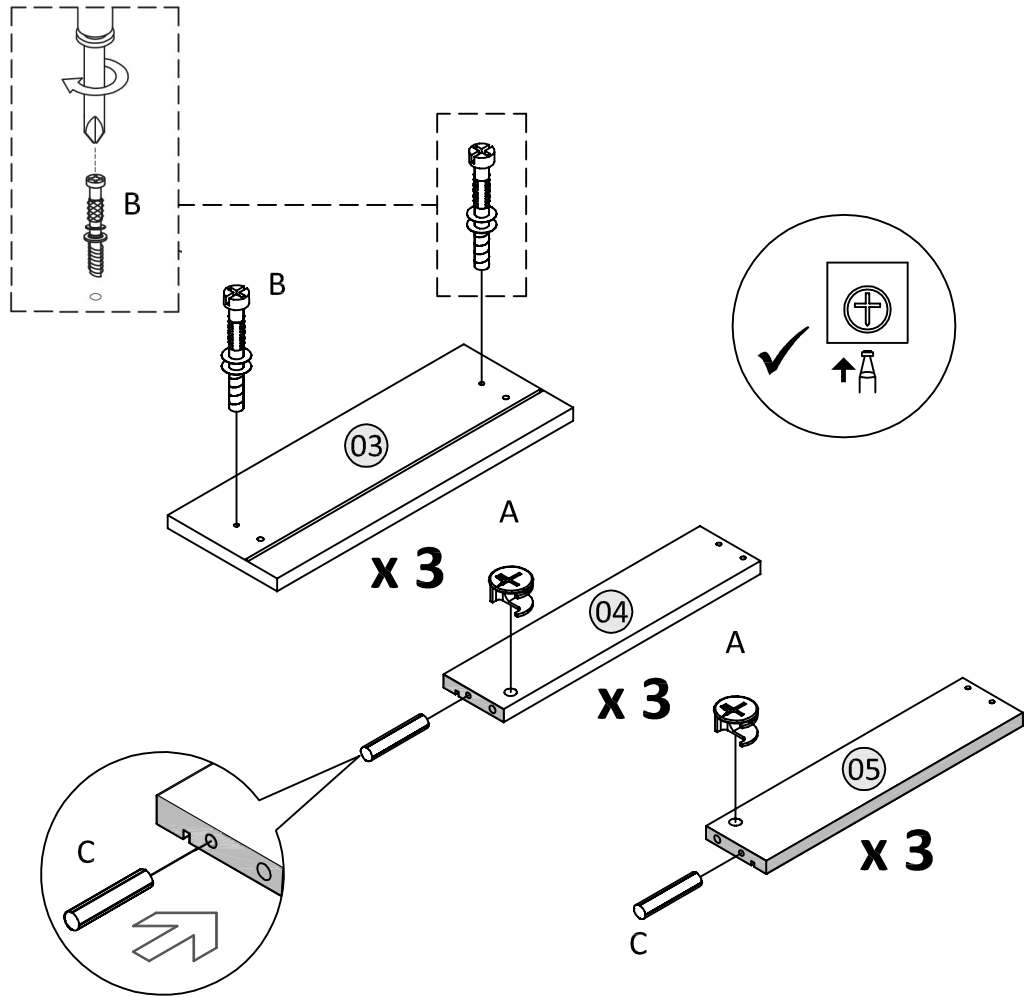
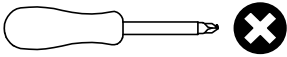
## PARTS REQUIRED

|                        |    |
|------------------------|----|
| 03- DRAWER FRONT       | x3 |
| 04- DRAWER LEFT PANEL  | x3 |
| 05- DRAWER RIGHT PANEL | x3 |

## HARDWARE REQUIRED

|   |   |    |
|---|---|----|
| A |  | 06 |
| B |  | 06 |
| C |  | 06 |

## TOOLS REQUIRED



# STEP 12

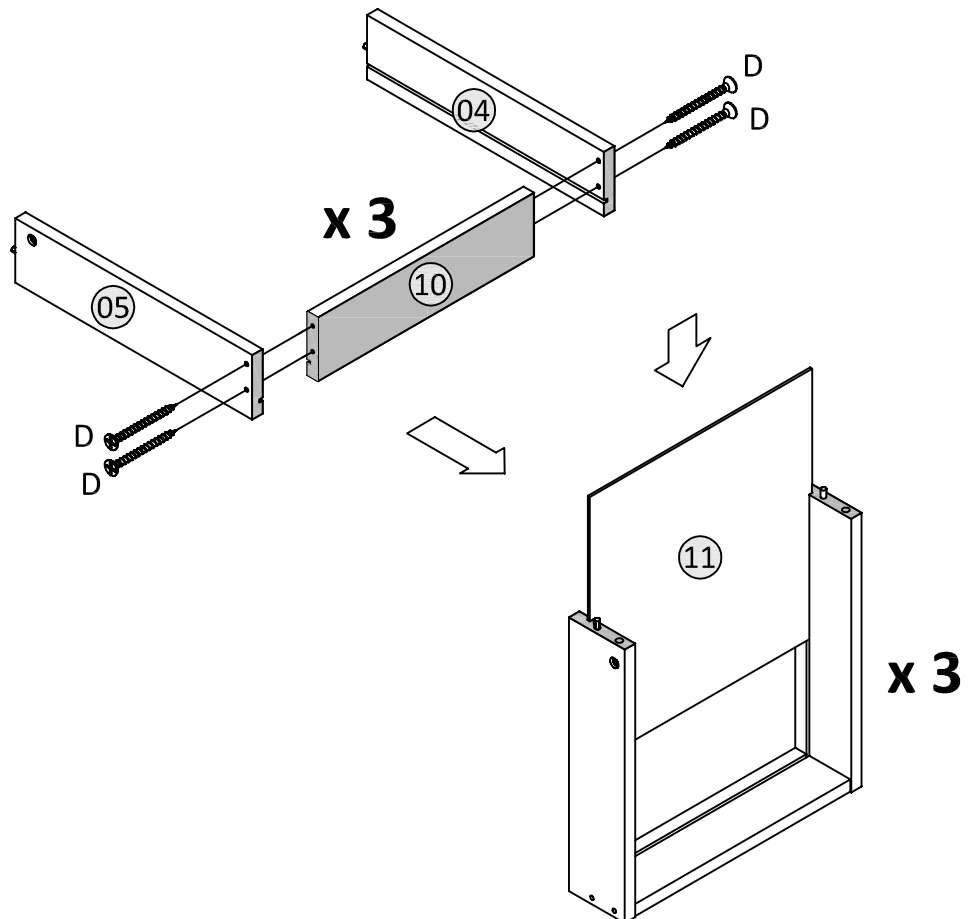
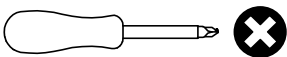
## PARTS REQUIRED

|                         |    |
|-------------------------|----|
| 04- DRAWER LEFT PANEL   | x3 |
| 05- DRAWER RIGHT PANEL  | x3 |
| 10- DRAWER BACK PANEL   | x3 |
| 11- DRAWER BOTTOM PANEL | x3 |

## HARDWARE REQUIRED

|   |   |     |
|---|---|-----|
| D |  | x12 |
|---|---|-----|

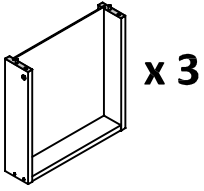
## TOOLS REQUIRED



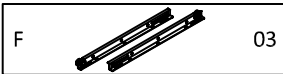
# STEP 13

## PARTS REQUIRED

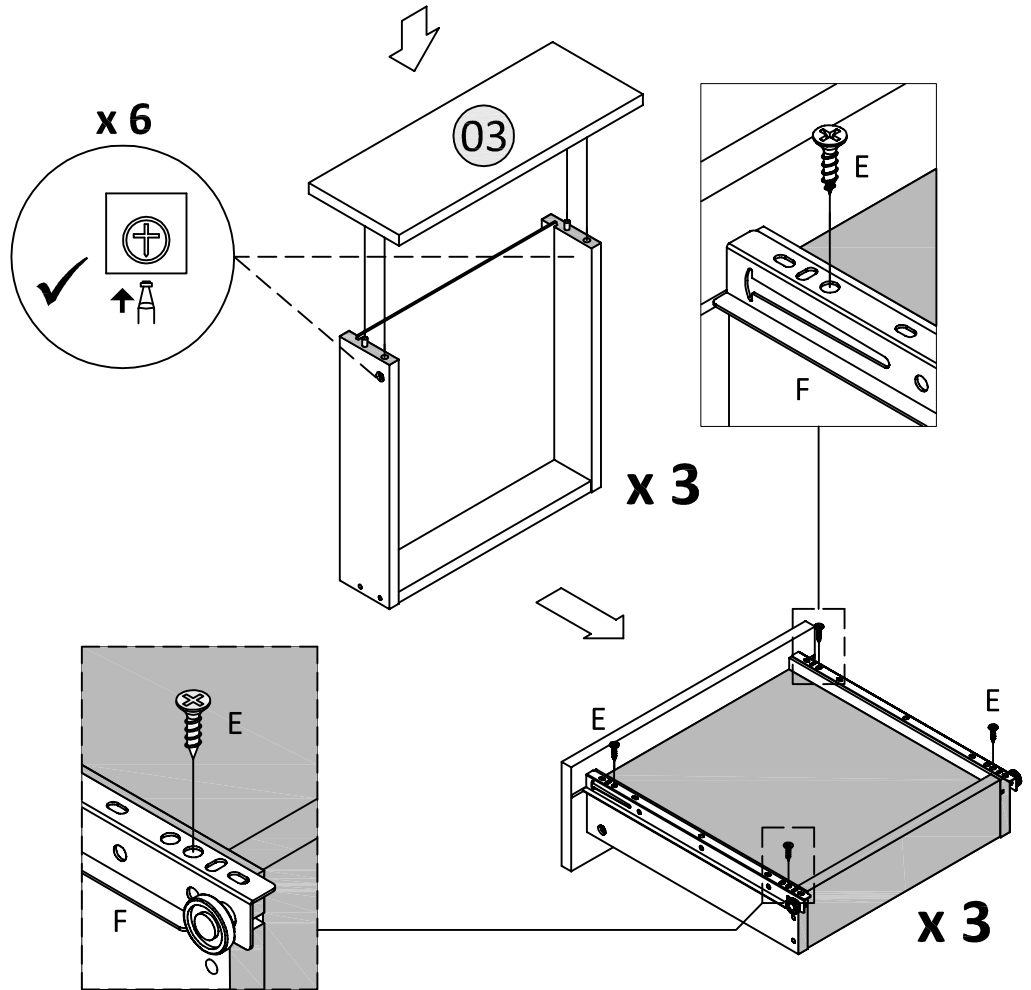
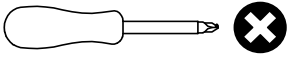
03- DRAWER FRONT x3



## HARDWARE REQUIRED

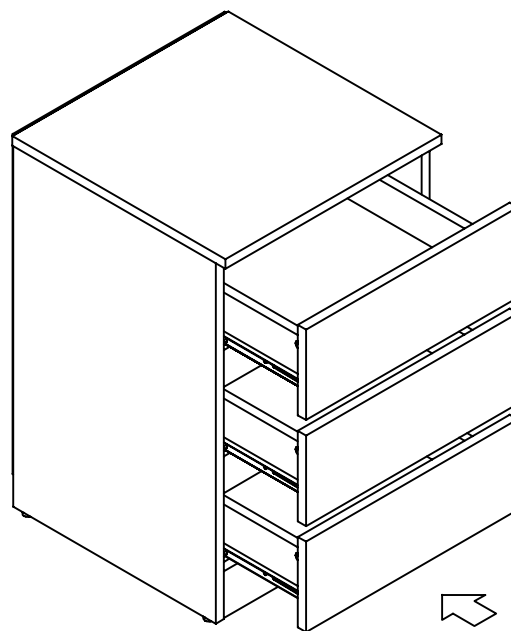
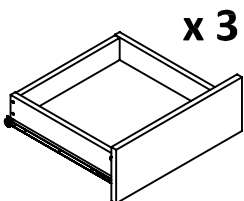
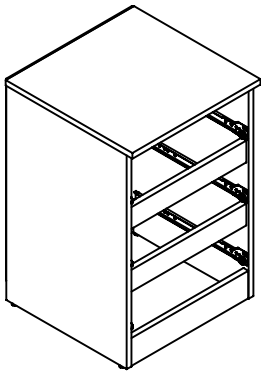


## TOOLS REQUIRED



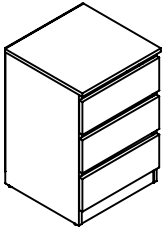
# STEP 14

## PARTS REQUIRED

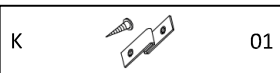


## STEP 15

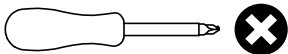
### PARTS REQUIRED



### HARDWARE REQUIRED



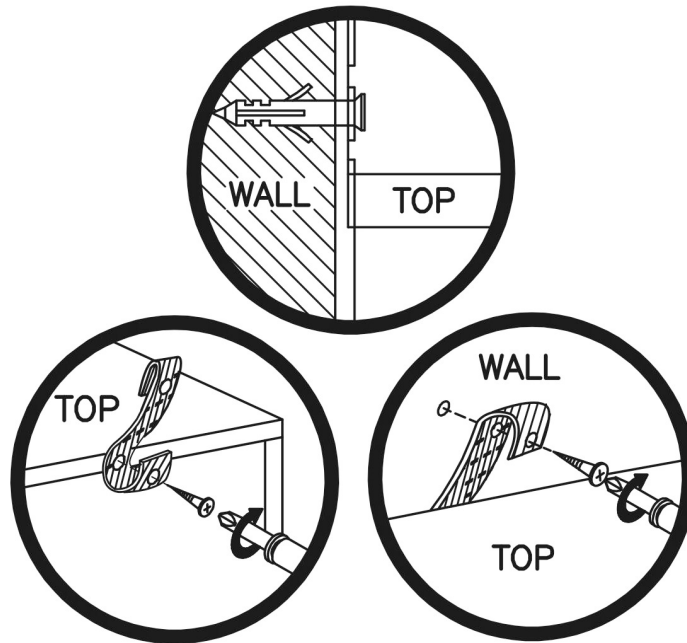
### TOOLS REQUIRED



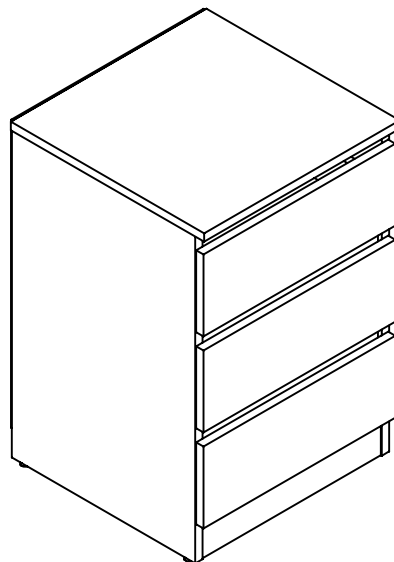
## WARNING

**Serious or fatal injuries can occur from furniture tipping over. To prevent the furniture from tipping over we recommend that it is permanently fixed to the wall.**

Wall fixings are not supplied with this product as different wall materials require different types of fixing devices. Please make sure you use fixings suitable for the walls in your home.



## STEP 16



# FINISH