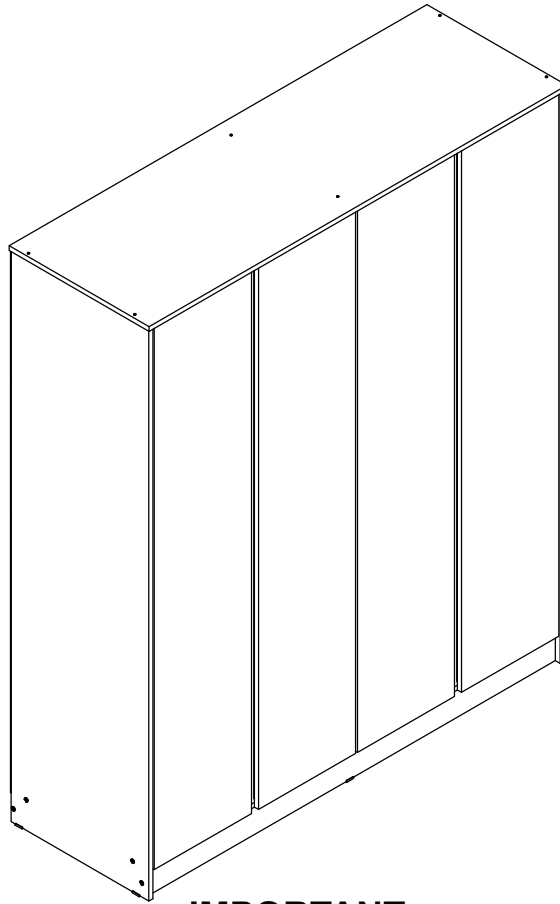
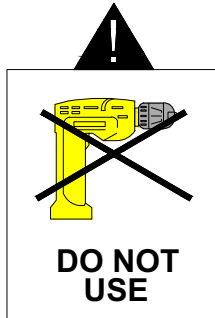


MALVERN 4 DOOR WARDROBE ASSEMBLY INSTRUCTIONS



**IMPORTANT
FOR DOMESTIC USE ONLY
PLEASE READ BEFORE YOU CONTINUE FURTHER**

THE PRODUCT YOU HAVE PURCHASED WILL GIVE YOU MANY YEARS OF SERVICE IF YOU FOLLOW THE GUIDELINES FOR ITS SAFE ASSEMBLY AND PERIODIC MAINTENANCE AND CLEANING.

ASSEMBLE ON A SOFT CLEAN SURFACE.

DO NOT USE ANY TOOLS OTHER THAN THOSE SHOWN.

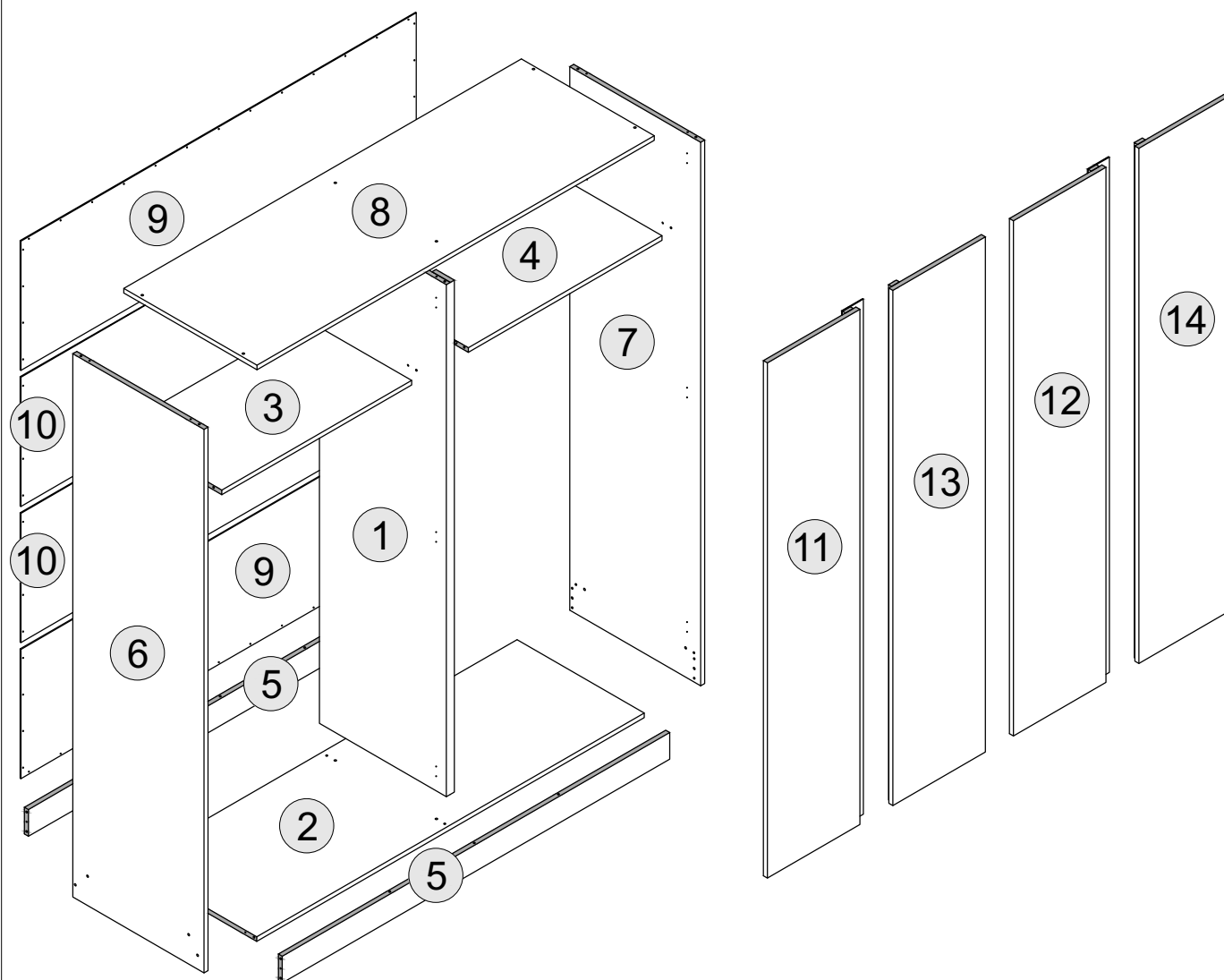
ANY SPANNERS OR ALLEN KEYS REQUIRED ARE INCLUDED WITH THE FITTINGS KIT.

DO NOT FOR ANY REASON USE A POWER TOOL TO ASSEMBLE THIS PRODUCT. ITS USE WILL INVALIDATE ANY CLAIM YOU MAY HAVE AND COULD MAKE THIS PRODUCT UNSAFE.

DEPENDING ON THE AMOUNT OF USE THIS PRODUCT RECEIVES IT MAY BE NECESSARY TO TIGHTEN UP THE FIXINGS FROM TIME TO TIME. THIS IS COMPLETELY NORMAL FOR ANY FLAT PACK FURNITURE. DO NOT OVERTIGHTEN FIXING.

FOR CLEANING, YOU MAY USE A DAMP CLOTH (NOT WET) DO NOT USE POLISH, DETERGENT OR CHEMICAL CLEANERS.



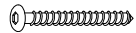
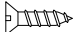
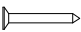

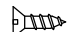


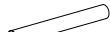




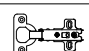



THE SURFACE OF THIS ITEM IS NOT HEAT RESISTANT. ALWAYS USE A PLACE MAT UNDER HOT OR COLD ITEMS TO PREVENT MARKING.

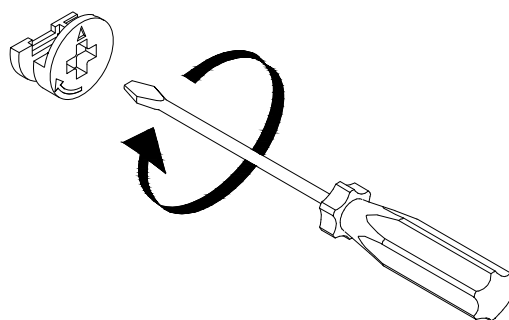


PART LIST

Part Number	Part Code	Part Description	Quantity	Carton
1	S100-101-211-EU1-01	Centre Panel	1	1/3
2	S100-101-211-EU1-02	Bottom Panel	1	2/3
3	S100-101-211-EU1-03	Shelf Panel - Left	1	2/3
4	S100-101-211-EU1-04	Shelf Panel - Right	1	2/3
5	S100-101-211-EU1-05	Base Apron	2	2/3
6	S100-101-211-EU1-06	Side Panel - Left	1	1/3
7	S100-101-211-EU1-07	Side Panel - Right	1	1/3
8	S100-101-211-EU1-08	Top Panel	1	2/3
9	S100-101-211-EU1-09	Back Panel I	2	2/3
10	S100-101-211-EU1-10	Back Panel II	2	2/3
11	S100-101-211-EU1-11	Door - Left	1	3/3
12	S100-101-211-EU1-12	Door - Centre Right	1	3/3
13	S100-101-211-EU1-13	Door - Centre Left	1	3/3
14	S100-101-211-EU1-14	Door - Right	1	3/3

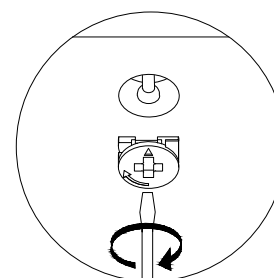
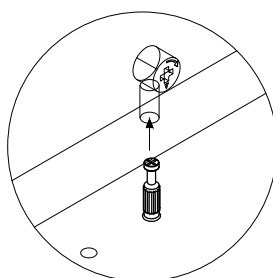
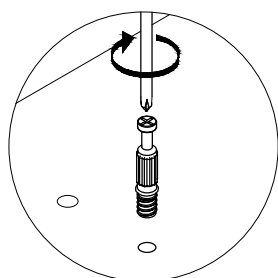
HARDWARE LIST

A		DOWEL 6 X 30MM	34 PCS
B		CAM BOLT + CAM NUT	8 SETS
C		BOLT M6 X 50MM	8 PCS
D		SCREW M3.5 X 16MM	32 PCS
E		TACK	58 PCS
F		PLASTIC FOOT	6 PCS
G		SCREW M3.5 X 12MM	8 PCS
H		TAPPING SCREW M8 X 12MM	24 PCS
I		HANGING RAIL SUPPORT	4 PCS
J		HANGING RAIL	2 PCS
K		SCREW M6 X 50MM	8 PCS
L		PLASTIC H STRIP	3 PCS
M		PVC STOPPER	2 PC
N		HINGES 7/8	6 PCS
O		HINGES 5/8	6 PCS
P		ALLEN KEY	1 PC
Q		ANTI - TIP STRAP	2 PCS
R		SCREW M4 X 16MM	2 PCS



(SCREWDRIVER NOT PROVIDED)

USE A FLAT HEAD SCREWDRIVER TO TIGHTEN THE CAM NUTS. A QUARTER TURN CLOCKWISE IS ALL THAT IS NEEDED.



STEP 1 - USE A CROSS SLOT SCREWDRIVER TO TIGHTEN THE CAM BOLT INTO THE HOLE.

STEP 2 - ALIGN THE CAM BOLT WITH THE HOLE AND PUSH TOGETHER UNTIL FLUSH. (MAKE SURE THE ARROW OF THE CAM LOCK IS POINTING TOWARD ON THE EDGE OF THE PANEL.)

STEP 3 - THE HEAD OF THE BOLT GOES INTO THE WIDE MOUTH OF THE CAM LOCK. YOU THEN TURN THE LOCK SO THE NARROW PART CLOSES OVER THE BOLT.

STEP 1


PARTS REQUIRED

1 - CENTRE PANEL x1

HARDWARE REQUIRED

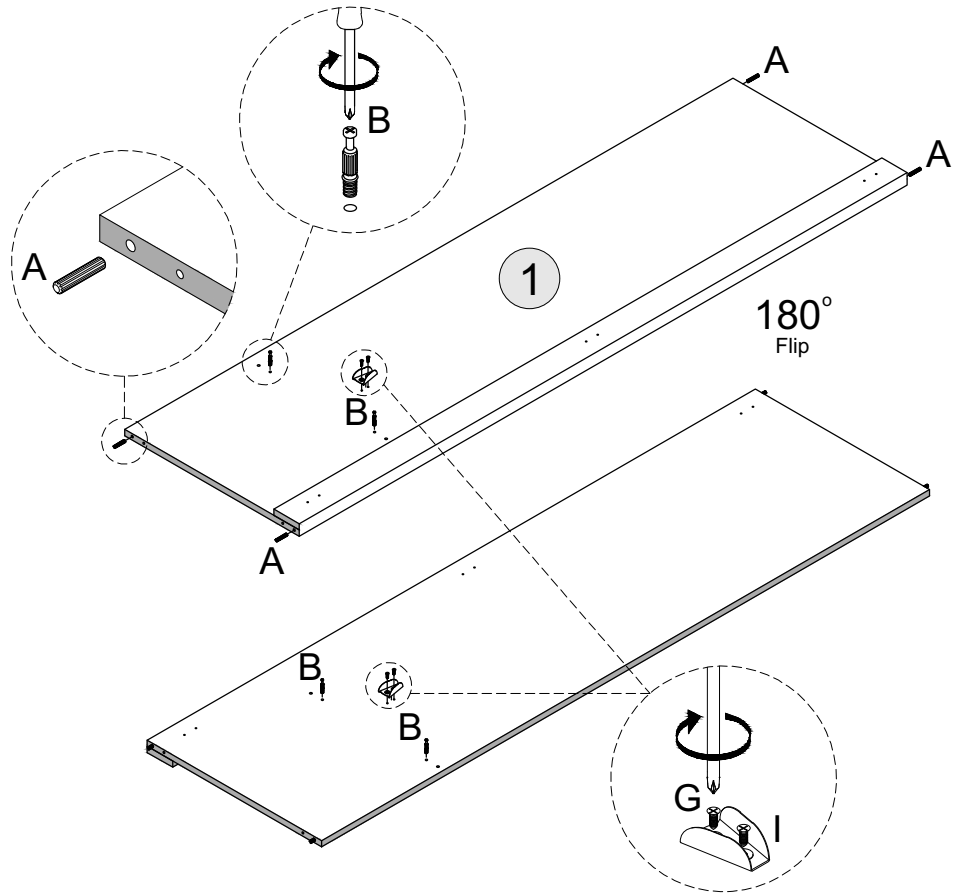
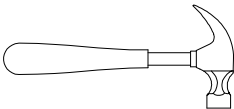
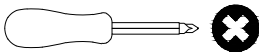
A  04

B  04

G  04

I  02

TOOLS REQUIRED



STEP 2

PARTS REQUIRED

3 - SHELF PANEL - LEFT x1

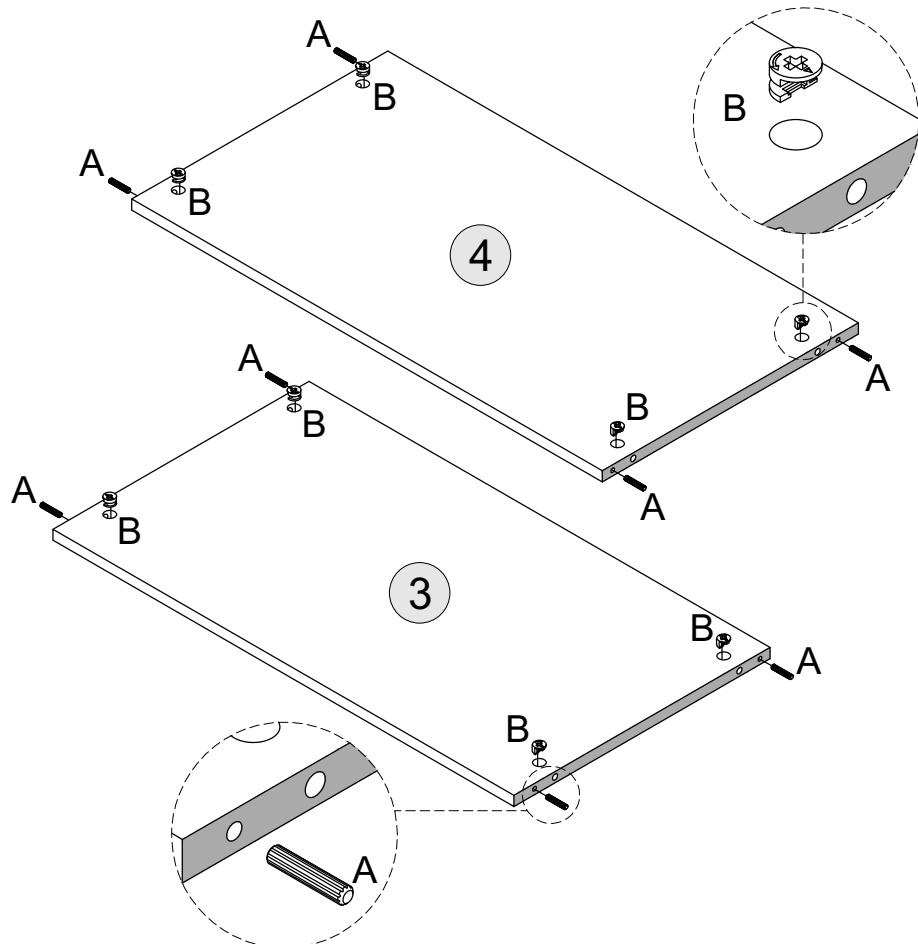
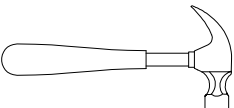
4 - SHELF PANEL - RIGHT x1

HARDWARE REQUIRED

A  08

B  08

TOOLS REQUIRED



STEP 3

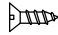
PARTS REQUIRED

6 - SIDE PANEL - LEFT x1

HARDWARE REQUIRED

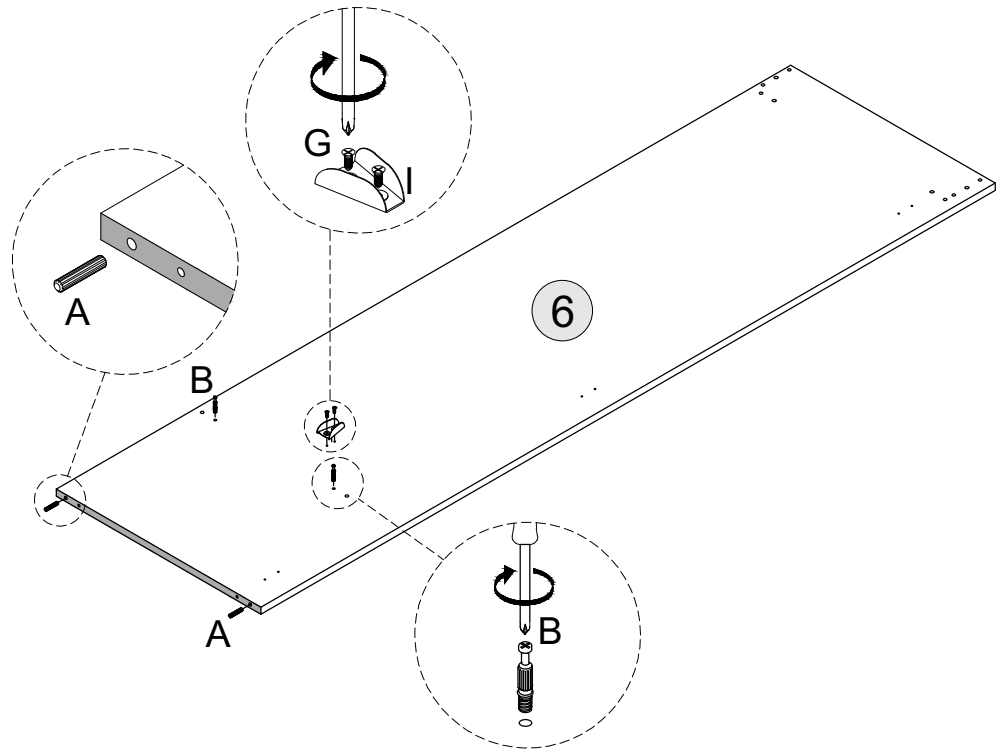
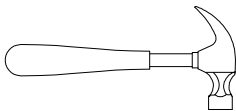
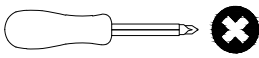
A  02

B  02

G  02

I  01

TOOLS REQUIRED



STEP 4

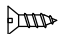
PARTS REQUIRED

7 - SIDE PANEL - RIGHT x1

HARDWARE REQUIRED

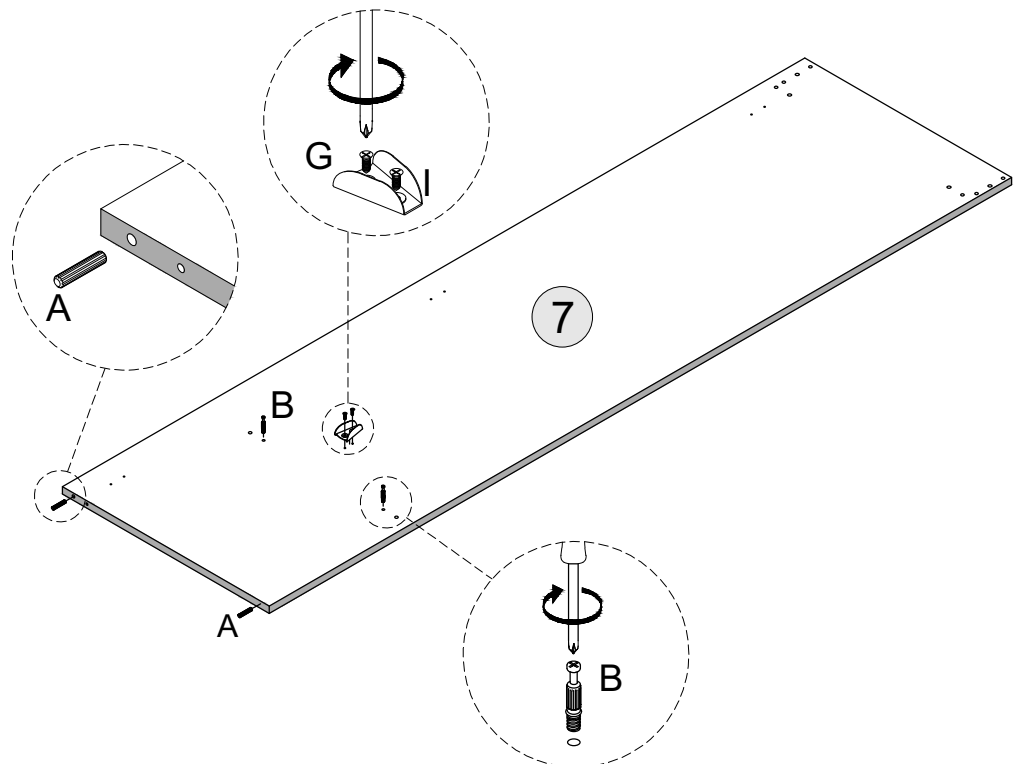
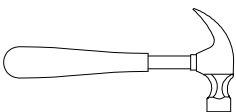
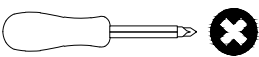
A  02

B  02

G  02

I  01

TOOLS REQUIRED



STEP 5

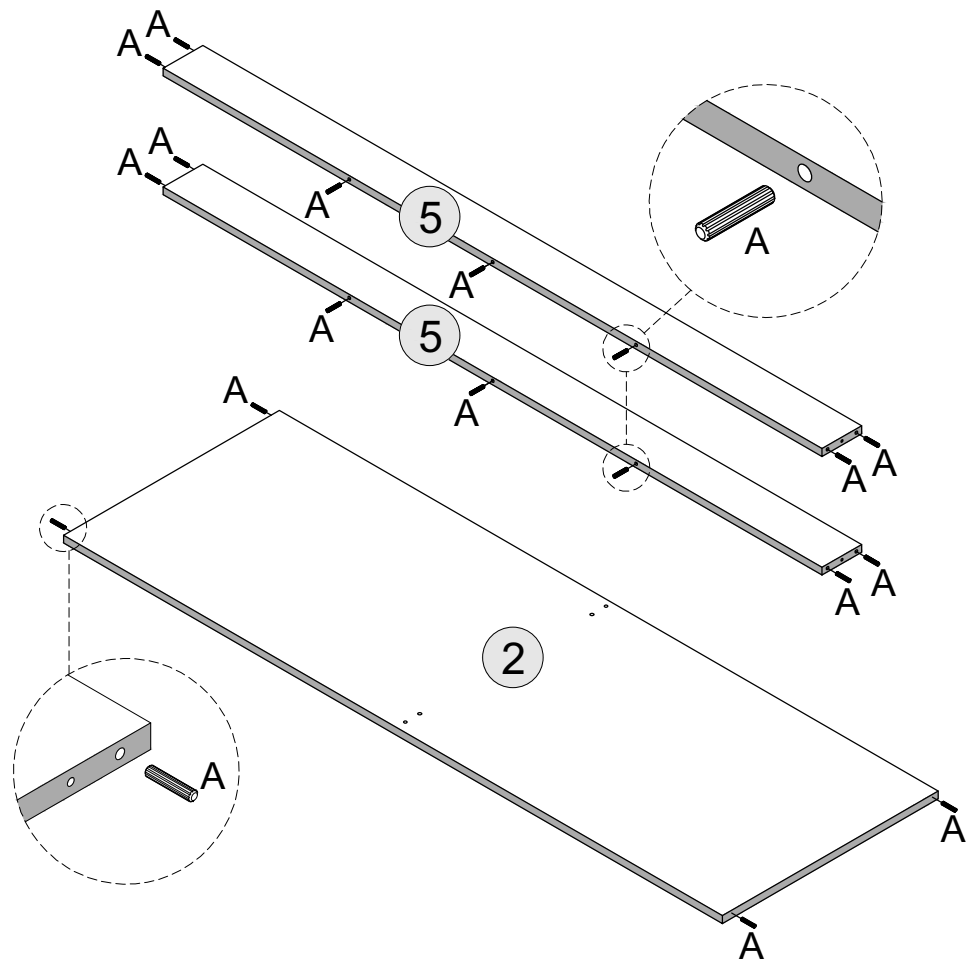
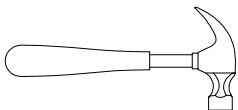
PARTS REQUIRED

2 - BOTTOM PANEL	x1
5 - BASE APRON	x2

HARDWARE REQUIRED

A		18
---	-----------------------------------------------------------------------------------	----

TOOLS REQUIRED

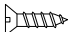



STEP 6

PARTS REQUIRED

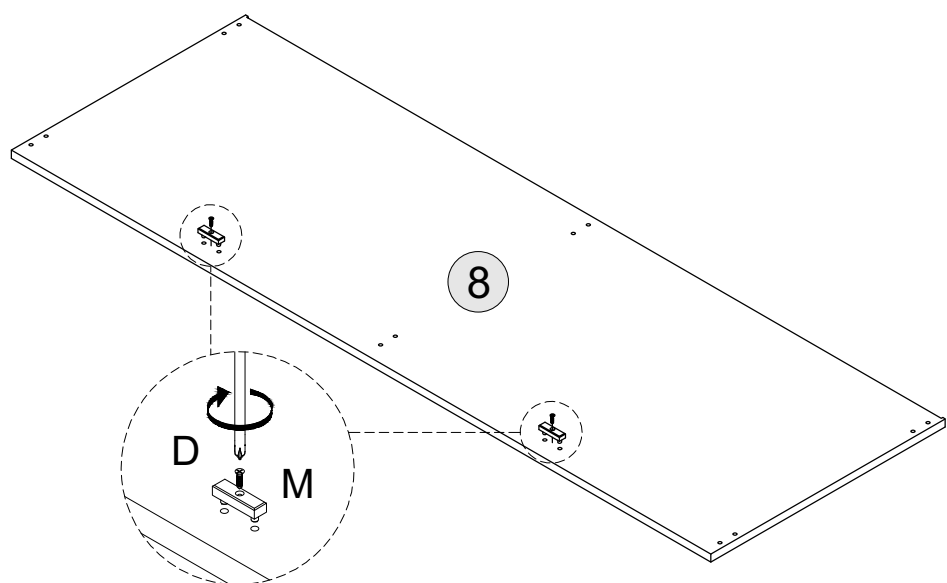
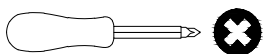
8 - TOP PANEL	x1
---------------	----

HARDWARE REQUIRED

D		02
---	-------------------------------------------------------------------------------------	----

M		02
---	-------------------------------------------------------------------------------------	----

TOOLS REQUIRED



STEP 7

PARTS REQUIRED

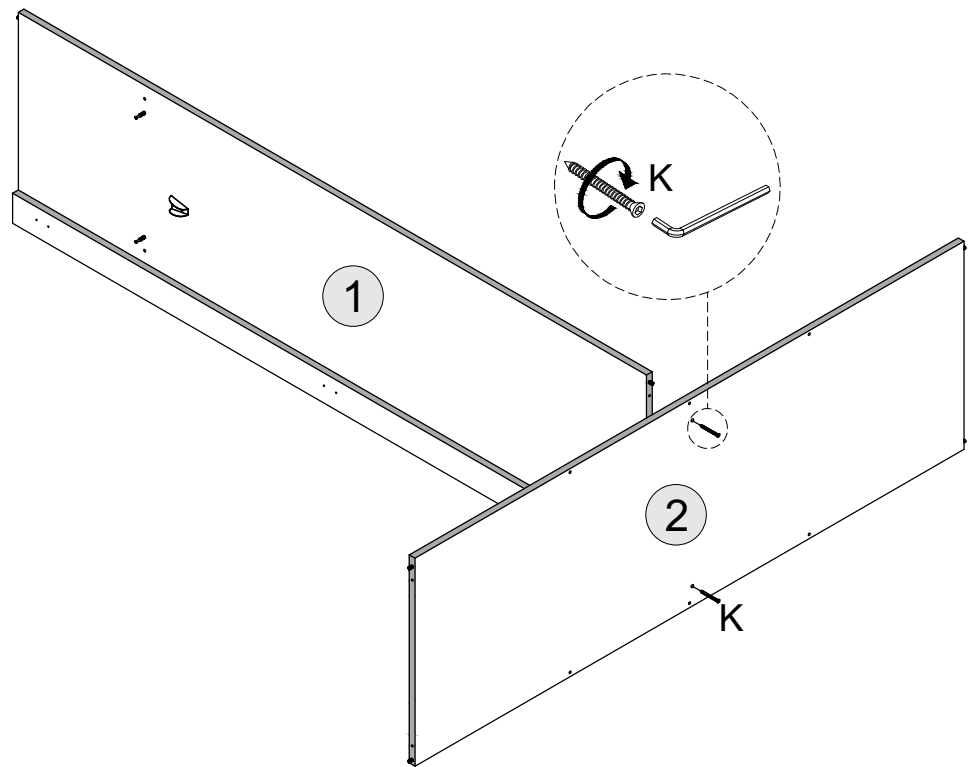
1 - CENTRE PANEL x1

2 - BOTTOM PANEL x1

HARDWARE REQUIRED

K  02

TOOLS REQUIRED

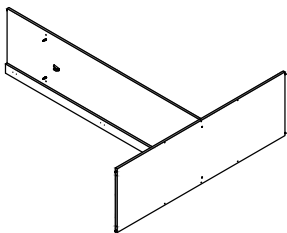


STEP 8

PARTS REQUIRED

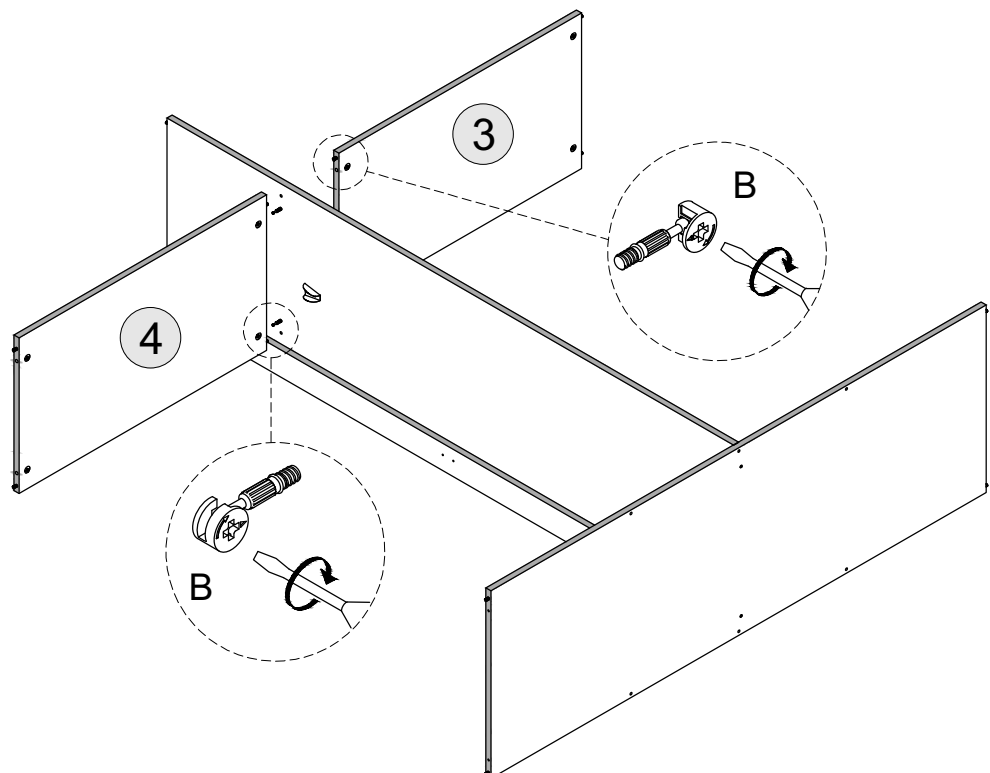
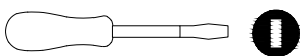
3 - SHELF PANEL - LEFT x1

4 - SHELF PANEL - RIGHT x1



HARDWARE REQUIRED

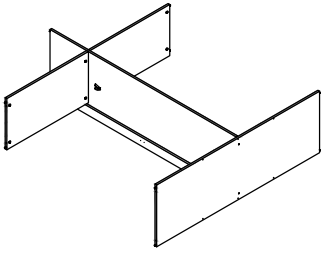
TOOLS REQUIRED



STEP 9

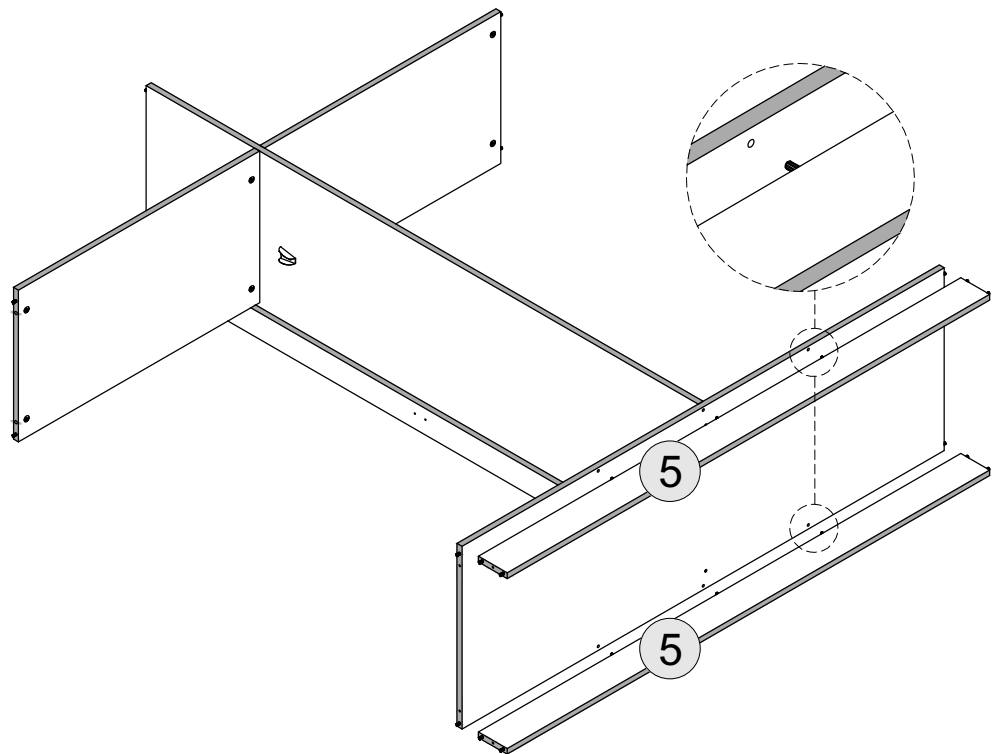
PARTS REQUIRED

5 - BASE APRON x2



HARDWARE REQUIRED

TOOLS REQUIRED

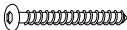


STEP 10

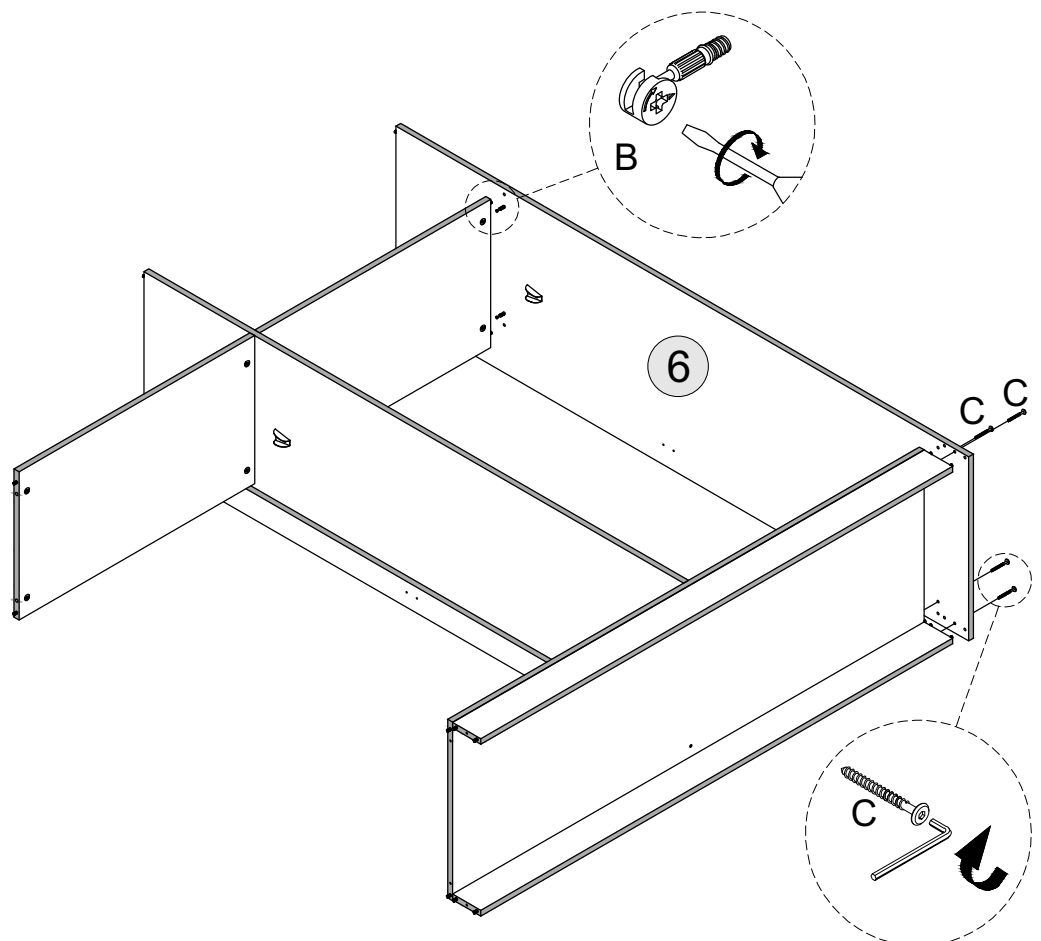
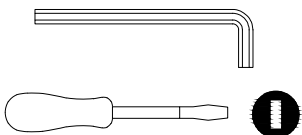
PARTS REQUIRED

6 - SIDE PANEL - LEFT x1

HARDWARE REQUIRED

C  04

TOOLS REQUIRED



STEP 11

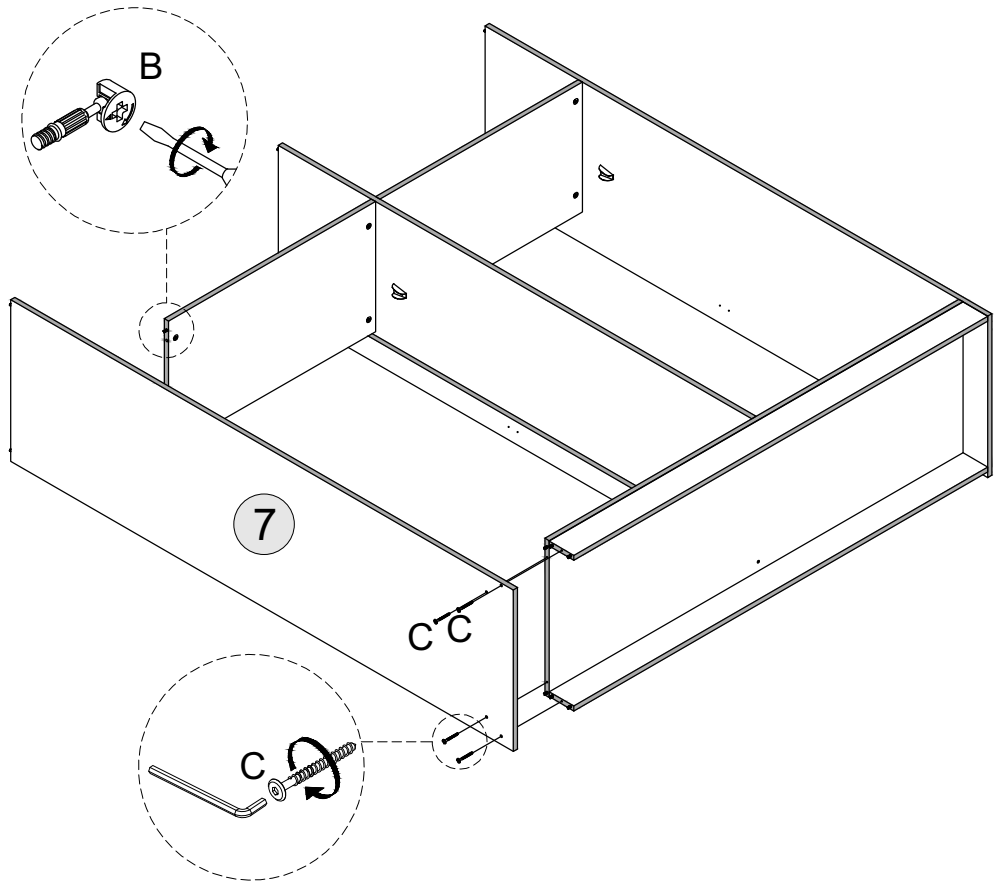
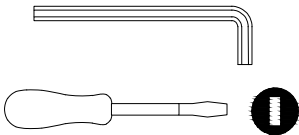
PARTS REQUIRED

7 - SIDE PANEL - RIGHT x1

HARDWARE REQUIRED

C  04

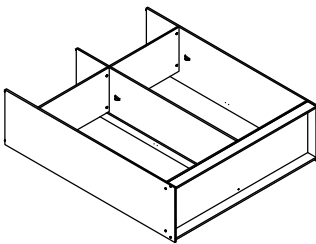
TOOLS REQUIRED



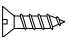
STEP 12

PARTS REQUIRED


8 - TOP PANEL x1



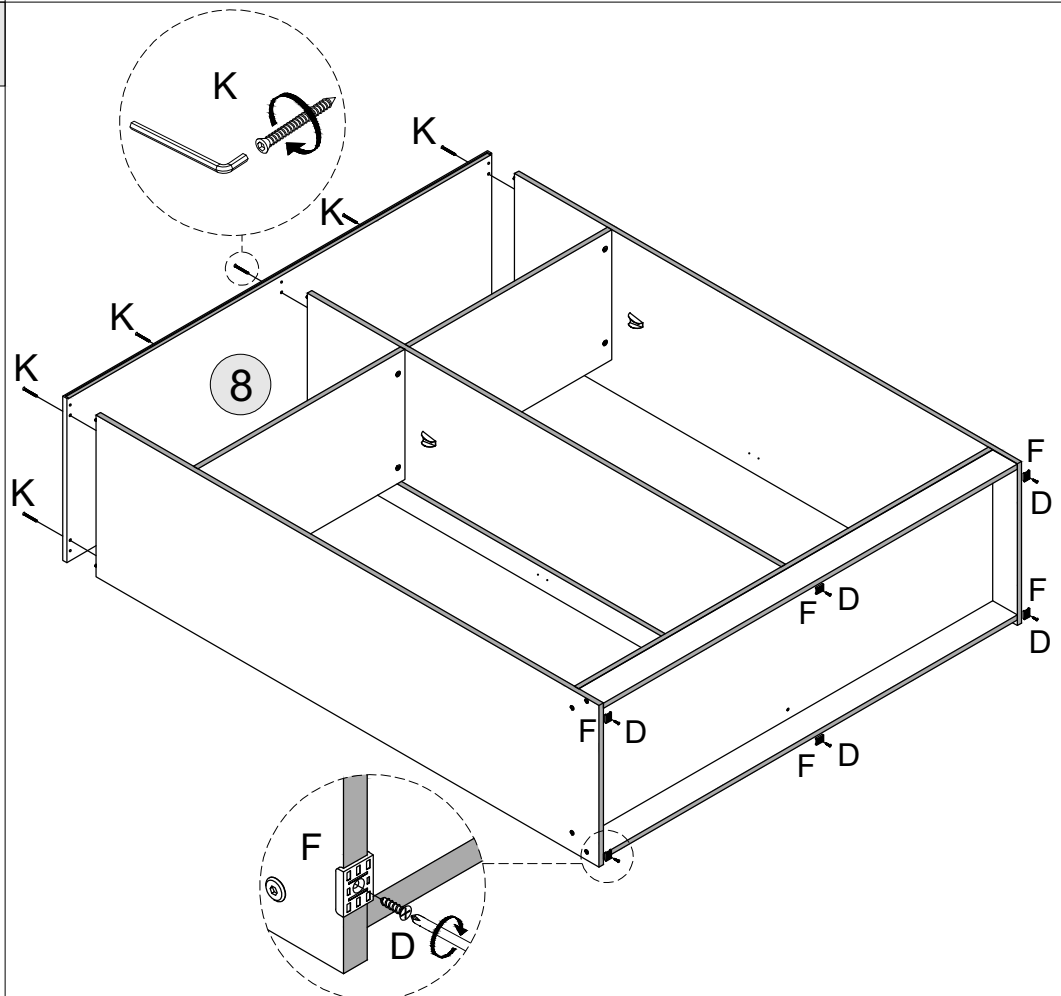
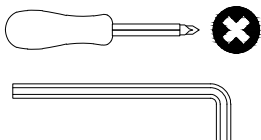
HARDWARE REQUIRED

D  06

F  06

K  06

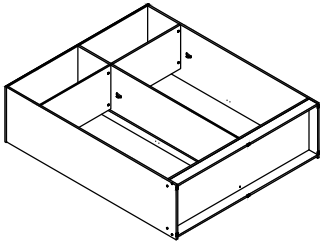
TOOLS REQUIRED



STEP 13

PARTS REQUIRED

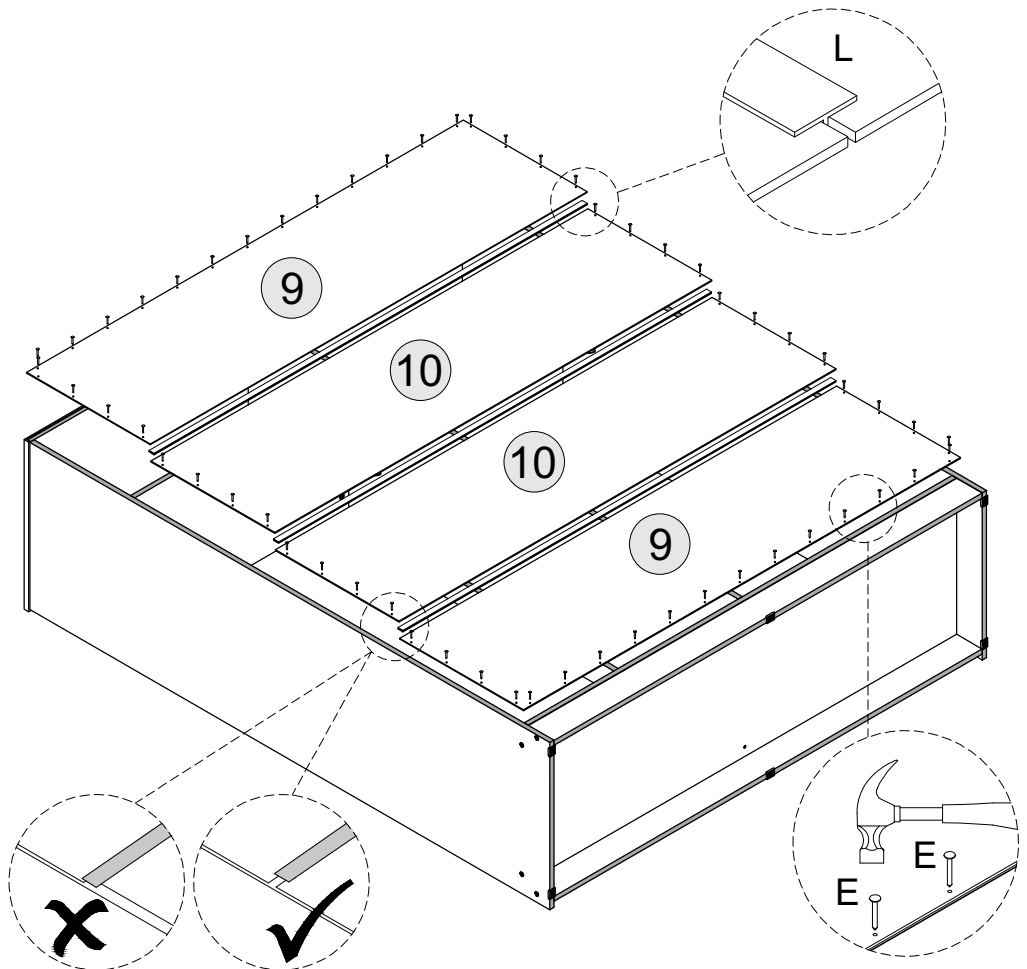
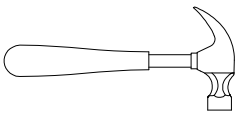
9 - BACK PANEL I	x2
10 - BACK PANEL II	x2



HARDWARE REQUIRED

E		58
L		03

TOOLS REQUIRED



STEP 14

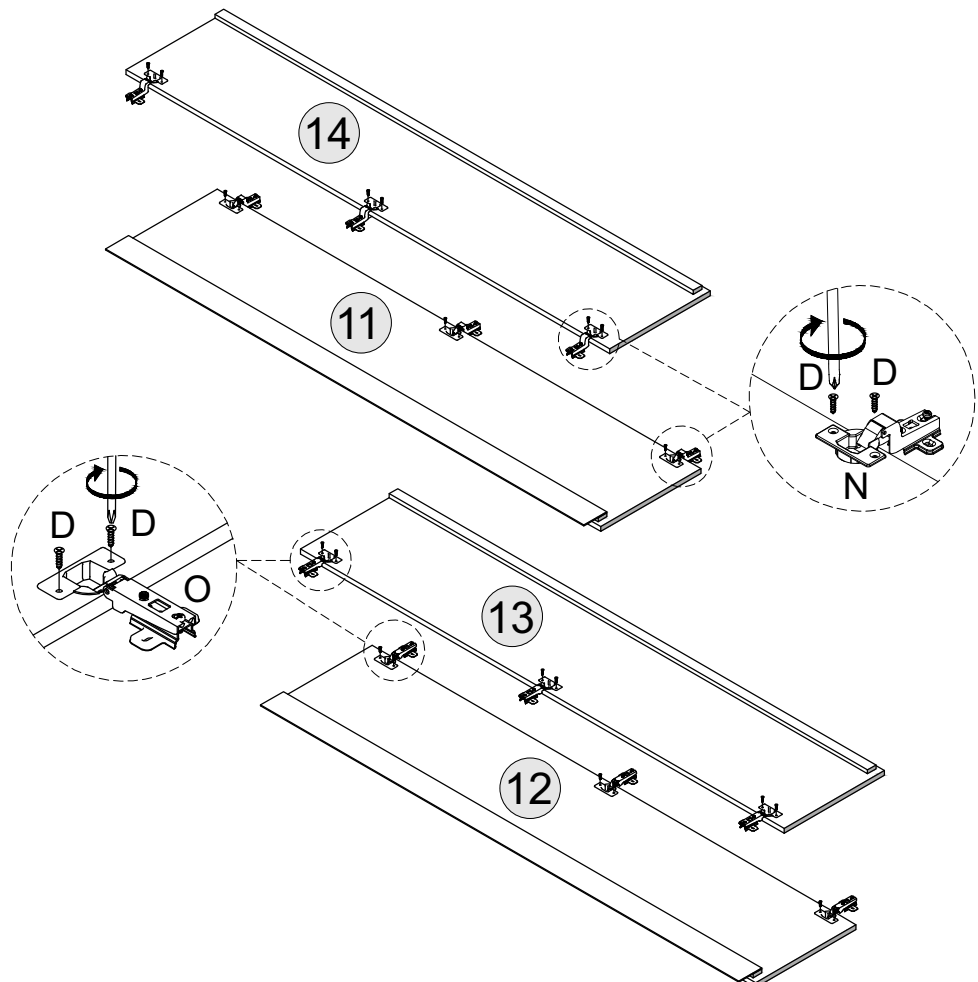
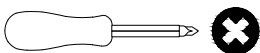
PARTS REQUIRED

11 - DOOR - LEFT	x1
12 - DOOR CENTRE - RIGHT	x1
13 - DOOR CENTRE - LEFT	x1
14 - DOOR - RIGHT	x1

HARDWARE REQUIRED

D		24
N		06
O		06

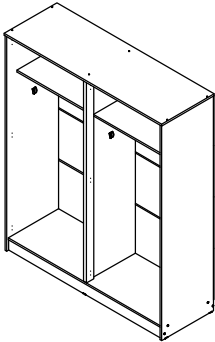
TOOLS REQUIRED



STEP 15

PARTS REQUIRED

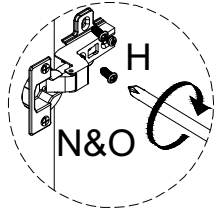
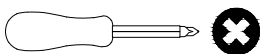
- 11 - DOOR - LEFT x1
- 12 - DOOR CENTRE - RIGHT x1



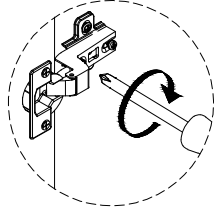
HARDWARE REQUIRED

- H 12
- J 02

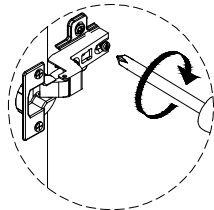
TOOLS REQUIRED



1. VERTICAL ADJUSTMENT VIA SLOT IN THE MOUNTING PLATE

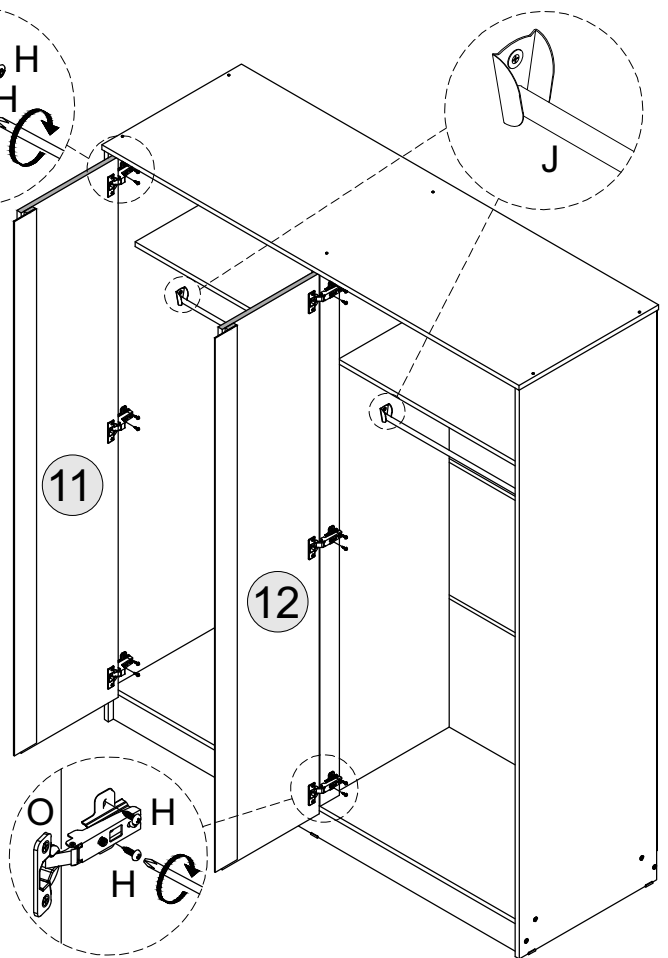


2. LATERAL ADJUSTMENT BY SCREW ADJUSTING



3. FRONT-TO-BACK BY THE SLACKING THE HINGE ARM MOUNTING SCREW

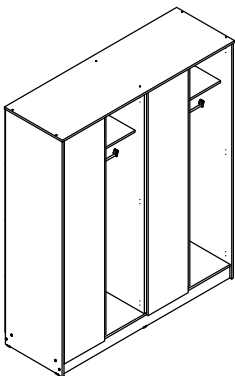
YOU SHOULD RE-ADJUST SCREWS AS SHOWN TO ALIGN DOOR ONCE HINGES HAVE BEEN ATTACHED.



STEP 16

PARTS REQUIRED

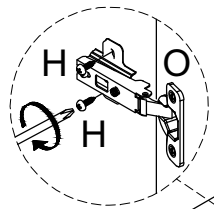
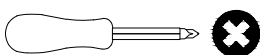
- 13 - DOOR CENTRE - LEFT x1
- 14 - DOOR - RIGHT x1



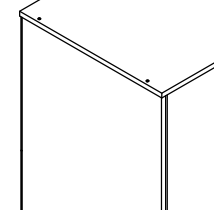
HARDWARE REQUIRED

- H 12

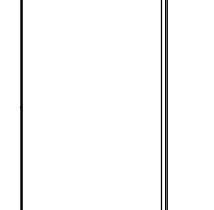
TOOLS REQUIRED



1. VERTICAL ADJUSTMENT VIA SLOT IN THE MOUNTING PLATE

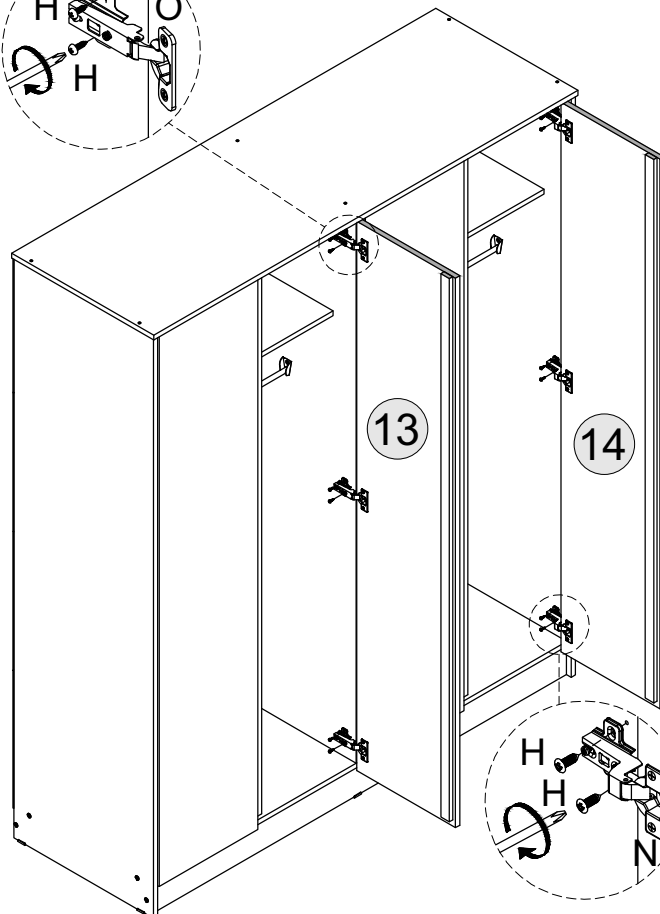


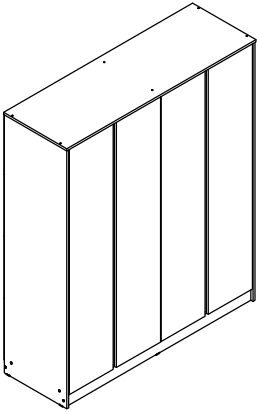
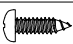
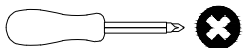
2. LATERAL ADJUSTMENT BY SCREW ADJUSTING



3. FRONT-TO-BACK BY THE SLACKING THE HINGE ARM MOUNTING SCREW

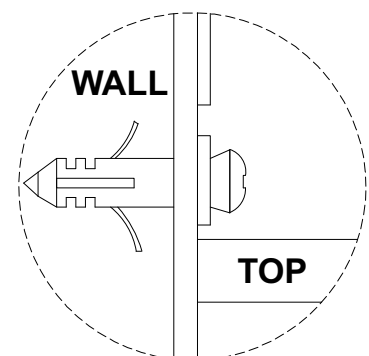
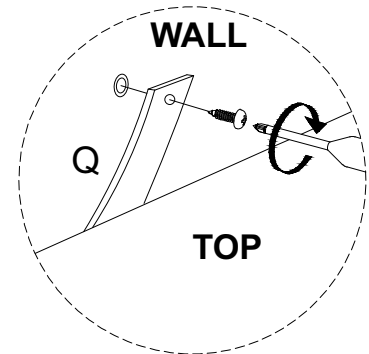
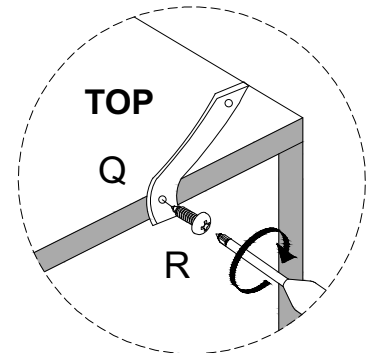
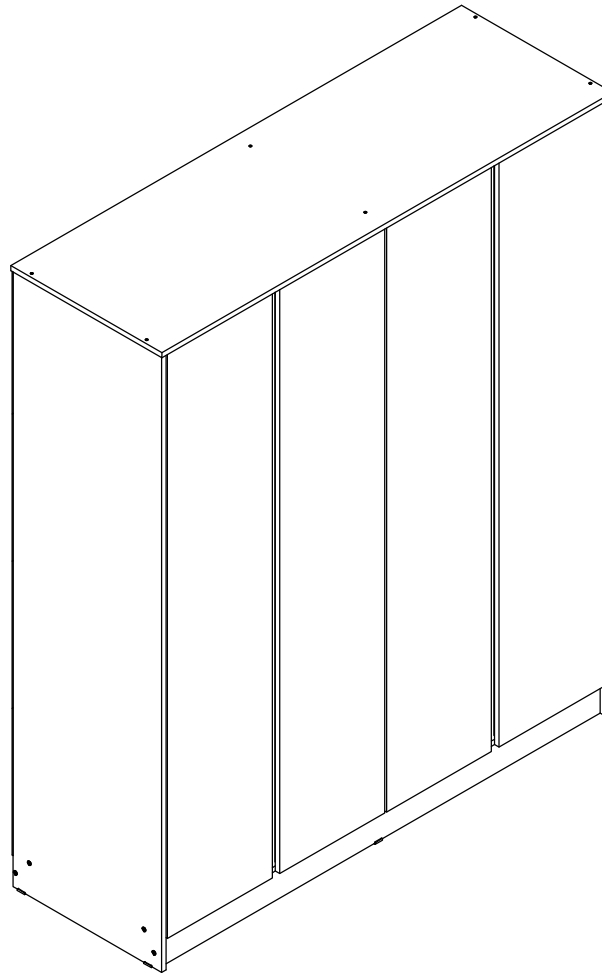
YOU SHOULD RE-ADJUST SCREWS AS SHOWN TO ALIGN DOOR ONCE HINGES HAVE BEEN ATTACHED.



STEP 17PART REQUIREDHARDWARE REQUIREDQ  02R  02TOOLS REQUIRED**WARNING**

Serious or fatal injuries can occur from furniture tipping over. To prevent the furniture from tipping over we recommend that it is permanently fixed to the wall.

Wall fixings are not supplied with this product as different wall materials require different types of fixing devices. Please make sure you use fixings suitable for the walls in your home.



INFORMATIONS IMPORTANTES (FRENCH)

IMPORTANTE POUR USAGE DOMESTIQUE UNIQUEMENT VEUILLEZ LIRE AVANT DE CONTINUER

Le produit que vous avez acheté vous offrira de nombreuses années de service si vous suivez les directives pour son assemblage sûr et son entretien et nettoyage périodiques.

Assemblez sur une surface douce et propre.

N'utilisez aucun autre outil que ceux illustrés.

Toutes les clés ou clés Allen nécessaires sont fournies avec le kit de fixation.

N'utilisez en aucun cas un outil électrique pour assembler ce produit. Son utilisation invalidera toute réclamation que vous pourriez avoir et pourrait rendre ce produit dangereux.

Selon la quantité d'utilisation de ce produit, il peut être nécessaire de resserrer les fixations de temps en temps. Cela est tout à fait normal pour tout meuble en kit. Ne serrez pas trop les fixations.

Pour le nettoyage, vous pouvez utiliser un chiffon humide (pas mouillé).

N'utilisez pas de produits de polissage, de détergent ou de nettoyeurs chimiques.

La surface de cet article n'est pas résistante à la chaleur. Utilisez toujours un set de table sous les articles chauds ou froids pour éviter les marques.

ADVERTENCIA (ANTI-BASCULEMENT)

Des blessures graves, voire mortelles, peuvent survenir en cas de basculement d'un meuble. Pour éviter que le meuble ne bascule, nous recommandons de le fixer de manière permanente au mur.

Les fixations murales ne sont pas fournies avec ce produit, car les différents matériaux de mur nécessitent différents types de dispositifs de fixation. Veuillez vous assurer d'utiliser des fixations adaptées aux murs de votre maison. Veuillez vous référer à la dernière page.

INFORMACIÓN IMPORTANTE (SPANISH)

IMPORTANTE SOLO PARA USO DOMÉSTICO LEER ANTES DE CONTINUAR

El producto que ha adquirido le brindará muchos años de servicio si sigue las pautas para su montaje seguro y su mantenimiento y limpieza periódicos.

Ensamble sobre una superficie suave y limpia.

No utilice herramientas distintas a las que se muestran.

Las llaves inglesas o llaves Allen necesarias se incluyen con el kit de accesorios.

No utilice bajo ningún concepto una herramienta eléctrica para ensamblar este producto. Su uso invalidará cualquier reclamo que pueda tener y podría hacer que este producto sea inseguro.

Dependiendo de la cantidad de uso que reciba este producto, puede ser necesario apretar las fijaciones de vez en cuando. Esto es completamente normal para cualquier mueble en paquete plano. No apriete demasiado las fijaciones.

Para la limpieza, puede utilizar un paño húmedo (no mojado). No utilice abrillantadores, detergentes ni limpiadores químicos.

La superficie de este artículo no es resistente al calor. Utilice siempre un mantel individual debajo de los elementos calientes o fríos para evitar marcarlos.

ADVERTENCIA (ANTI-VUELCO)

El vuelco de los muebles puede provocar lesiones graves o fatales. Para evitar que los muebles se vuelquen, recomendamos fijarlos permanentemente a la pared.

Este producto no incluye fijaciones de pared, ya que los distintos materiales de pared requieren distintos tipos de dispositivos de fijación. Asegúrese de utilizar fijaciones adecuadas para las paredes de su hogar. Veuillez vous référer à la dernière page.

WICHTIGE INFORMATIONEN (GERMAN)

WICHTIG FÜR DEN HAUSHALTSGEBRAUCH BITTE LESEN SIE, BEVOR SIE FORTFAHREN

Das von Ihnen gekaufte Produkt wird Ihnen viele Jahre lang gute Dienste leisten, wenn Sie die Richtlinien für eine sichere Montage und regelmäßige Wartung und Reinigung befolgen.

Montieren Sie es auf einer weichen, sauberen Oberfläche.

Verwenden Sie keine anderen Werkzeuge als die abgebildeten.

Erforderliche Schraubenschlüssel oder Inbusschlüssel sind im Montagesatz enthalten.

Verwenden Sie unter keinen Umständen ein Elektrowerkzeug zur Montage dieses Produkts. Bei Verwendung erlöschen alle Ansprüche, die Sie haben, und das Produkt kann unsicher werden.

Je nachdem, wie häufig dieses Produkt verwendet wird, kann es erforderlich sein, die Befestigungen von Zeit zu Zeit festzuziehen. Dies ist bei Möbeln aus dem Bausatz völlig normal. Ziehen Sie die Befestigungen nicht zu fest an.

Zum Reinigen können Sie ein feuchtes Tuch verwenden (nicht nass).

Verwenden Sie keine Politur, kein Reinigungsmittel oder chemische Reiniger.

Die Oberfläche dieses Artikels ist nicht hitzebeständig. Verwenden Sie immer eine Unterlage unter heißen oder kalten Gegenständen, um Flecken zu vermeiden.

WARNUNG (KIPPSCHUTZ)

Durch das Umkippen von Möbeln können schwere oder tödliche Verletzungen entstehen. Um ein Umkippen der Möbel zu verhindern, empfehlen wir, diese dauerhaft an der Wand zu befestigen.

Wandbefestigungen werden nicht mit diesem Produkt mitgeliefert, da unterschiedliche Wandmaterialien unterschiedliche Arten von Befestigungsvorrichtungen erfordern. Bitte stellen Sie sicher, dass Sie Befestigungsvorrichtungen verwenden, die für die Wände in Ihrem Zuhause geeignet sind. Bitte beachten Sie die letzte Seite.

INFORMAZIONI IMPORTANTI (ITALIAN)

IMPORTANTE, SOLO PER USO DOMESTICO SI PREGA DI LEGGERE PRIMA DI CONTINUARE OLTRE

Il prodotto che hai acquistato ti garantirà molti anni di servizio se segui le linee guida per il suo montaggio sicuro e periodico manutenzione e pulizia.

Montare su una superficie morbida e pulita.

Non utilizzare strumenti diversi da quelli mostrati.

Eventuali chiavi e chiavi a brugola necessarie sono incluse nel kit di raccordi.

Non utilizzare per nessun motivo un utensile elettrico per assemblare questo prodotto. Suo l'uso invaliderà qualsiasi reclamo tu possa avere e potresti avanzare su questo prodotto pericoloso.

A seconda della quantità di utilizzo che questo prodotto riceve, potrebbe essere necessario stringere di tanto in tanto i fissaggi.

Questo è completamente

normalmente per qualsiasi mobile flat pack. Non stringere eccessivamente il fissaggio.

Per la pulizia è possibile utilizzare un panno umido (non bagnato).

Non usare smalti, detersivi o detergenti chimici.

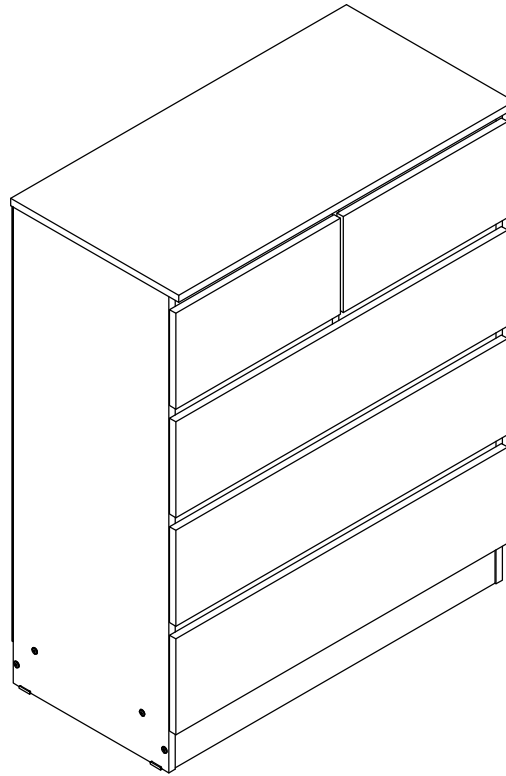
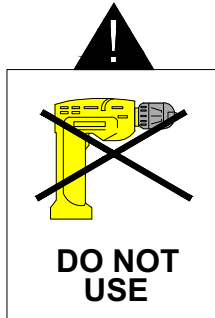
La superficie di questo articolo non è resistente al calore. Usa sempre una tovaglietta sotto oggetti caldi o freddi per evitare segni.

AVVERTIMENTO (ANTIRIBALTAMENTO)

Il ribaltamento dei mobili può provocare lesioni gravi e mortali. A evitare che i mobili si ribaltino, si consiglia di farlo fissato permanentemente al muro.

I fissaggi a parete non sono forniti con questo prodotto in quanto parete diversa i materiali richiedono diversi tipi di dispositivi di fissaggio. Per favore, fallo assicurati di utilizzare fissaggi adatti alle pareti della tua casa. Si prega di fare riferimento all'ultima pagina.

MALVERN 3+2 DRAWER CHEST ASSEMBLY INSTRUCTIONS



IMPORTANT FOR DOMESTIC USE ONLY PLEASE READ BEFORE YOU CONTINUE FURTHER

THE PRODUCT YOU HAVE PURCHASED WILL GIVE YOU MANY YEARS OF SERVICE IF YOU FOLLOW THE GUIDELINES FOR ITS SAFE ASSEMBLY AND PERIODIC MAINTENANCE AND CLEANING.

ASSEMBLE ON A SOFT CLEAN SURFACE.

DO NOT USE ANY TOOLS OTHER THAN THOSE SHOWN.

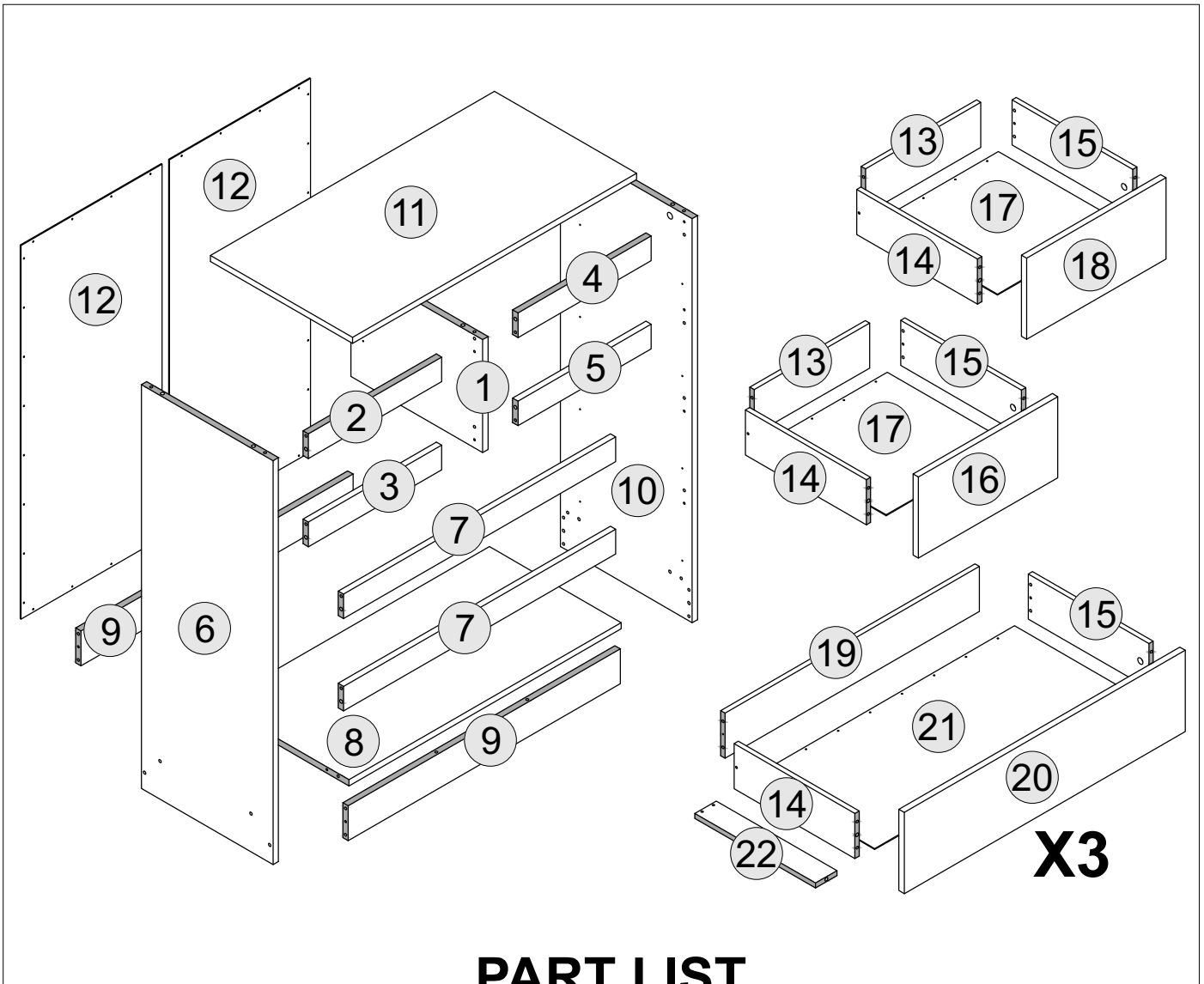
ANY SPANNERS OR ALLEN KEYS REQUIRED ARE INCLUDED WITH THE FITTINGS KIT.

DO NOT FOR ANY REASON USE A POWER TOOL TO ASSEMBLE THIS PRODUCT. ITS USE WILL INVALIDATE ANY CLAIM YOU MAY HAVE AND COULD MAKE THIS PRODUCT UNSAFE.

DEPENDING ON THE AMOUNT OF USE THIS PRODUCT RECEIVES IT MAY BE NECESSARY TO TIGHTEN UP THE FIXINGS FROM TIME TO TIME. THIS IS COMPLETELY NORMAL FOR ANY FLAT PACK FURNITURE. DO NOT OVERTIGHTEN FIXING.

FOR CLEANING, YOU MAY USE A DAMP CLOTH (NOT WET) DO NOT USE POLISH, DETERGENT OR CHEMICAL CLEANERS.



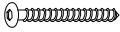
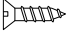
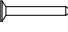

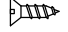

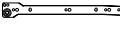

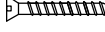

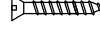


THE SURFACE OF THIS ITEM IS NOT HEAT RESISTANT. ALWAYS USE A PLACE MAT UNDER HOT OR COLD ITEMS TO PREVENT MARKING.

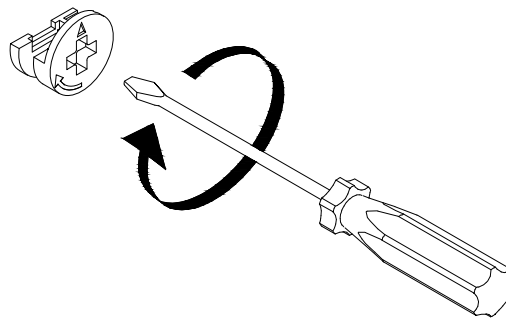


PART LIST

Part Number	Part Code	Part Description	Quantity	Carton
1	S100-102-193-EU1-01	Centre Panel	1	2/2
2	S100-102-193-EU1-02	Small Crossbar I - Left	1	1/2
3	S100-102-193-EU1-03	Small Crossbar II - Left	1	2/2
4	S100-102-193-EU1-04	Small Crossbar I - Right	1	1/2
5	S100-102-193-EU1-05	Small Crossbar II - Right	1	2/2
6	S100-102-193-EU1-06	Side Panel - Left	1	2/2
7	S100-102-193-EU1-07	Large Crossbar	2	1/2
8	S100-102-193-EU1-08	Bottom Panel	1	1/2
9	S100-102-193-EU1-09	Base Apron	2	1/2
10	S100-102-193-EU1-10	Side Panel - Right	1	2/2
11	S100-102-193-EU1-11	Top Panel	1	1/2
12	S100-102-193-EU1-12	Back Panels	2	2/2
13	S100-102-193-EU1-13	Small Drawer Back	2	2/2
14	S100-102-193-EU1-14	Drawer Side - Left	5	2/2
15	S100-102-193-EU1-15	Drawer Side - Right	5	2/2
16	S100-102-193-EU1-16	Small Drawer Front - Left	1	1/2
17	S100-102-193-EU1-17	Small Drawer Base	2	1/2
18	S100-102-193-EU1-18	Small Drawer Front - Right	1	1/2
19	S100-102-193-EU1-19	Large Drawer Back	3	2/2
20	S100-102-193-EU1-20	Large Drawer Front	3	1/2
21	S100-102-193-EU1-21	Large Drawer Base	3	1/2
22	S100-102-193-EU1-22	Drawer Bottom Support Rail	3	2/2

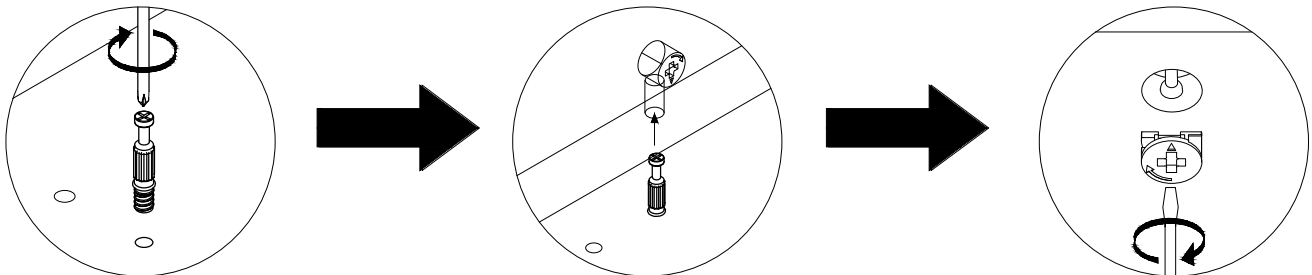
HARDWARE LIST

A		DOWEL 6 X 30MM	74 PCS
B		ALLEN KEY	1 PC
C		BOLT M6 X 50MM	8 PCS
D		SCREW M3.5 X 16MM	34 PCS
E		TACK	32 PCS
F		PLASTIC FOOT	4 PCS
G		SCREW M3.5 X 12MM	72 PCS
H		CAM BOLT + CAM NUT	31 SETS
I		DRAWER RUNNER A - L/R	10 PCS
J		DRAWER RUNNER B - L/R	10 PCS
K		SCREW M4 X 38MM	10 PCS
L		PLASTIC H STRIP	1 PC
M		SCREW M4 X 25MM	6 PCS
N		ANTI - TIP STRAP	2 PCS
O		SCREW M4 X 16MM	2 PCS



(SCREWDRIVER NOT PROVIDED)

USE A FLAT HEAD SCREWDRIVER TO TIGHTEN THE CAM NUTS. A QUARTER TURN CLOCKWISE IS ALL THAT IS NEEDED.



STEP 1 - USE A CROSS SLOT SCREWDRIVER TO TIGHTEN THE CAM BOLT INTO THE HOLE.

STEP 2 - ALIGN THE CAM BOLT WITH THE HOLE AND PUSH TOGETHER UNTIL FLUSH. (MAKE SURE THE ARROW OF THE CAM LOCK IS POINTING TOWARD ON THE EDGE OF THE PANEL.)





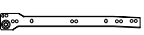
STEP 3 - THE HEAD OF THE BOLT GOES INTO THE WIDE MOUTH OF THE CAM LOCK. YOU THEN TURN THE LOCK SO THE NARROW PART CLOSES OVER THE BOLT.

STEP 1

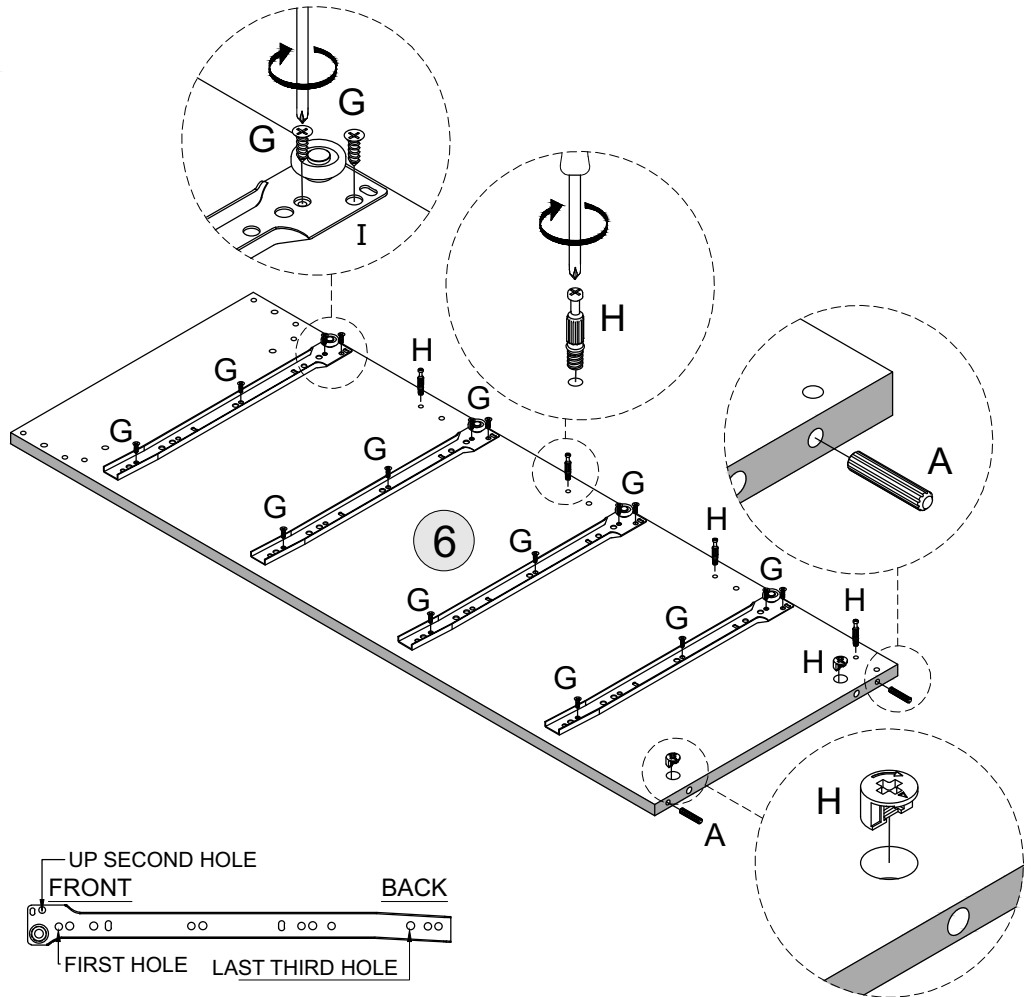
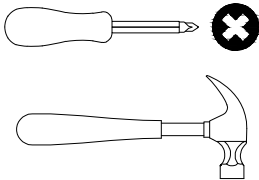
PARTS REQUIRED

6 - SIDE PANEL - LEFT x1

HARDWARE REQUIRED

A		02
G		16
H		04
H		02
I		04

TOOLS REQUIRED


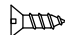


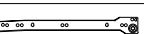


STEP 2

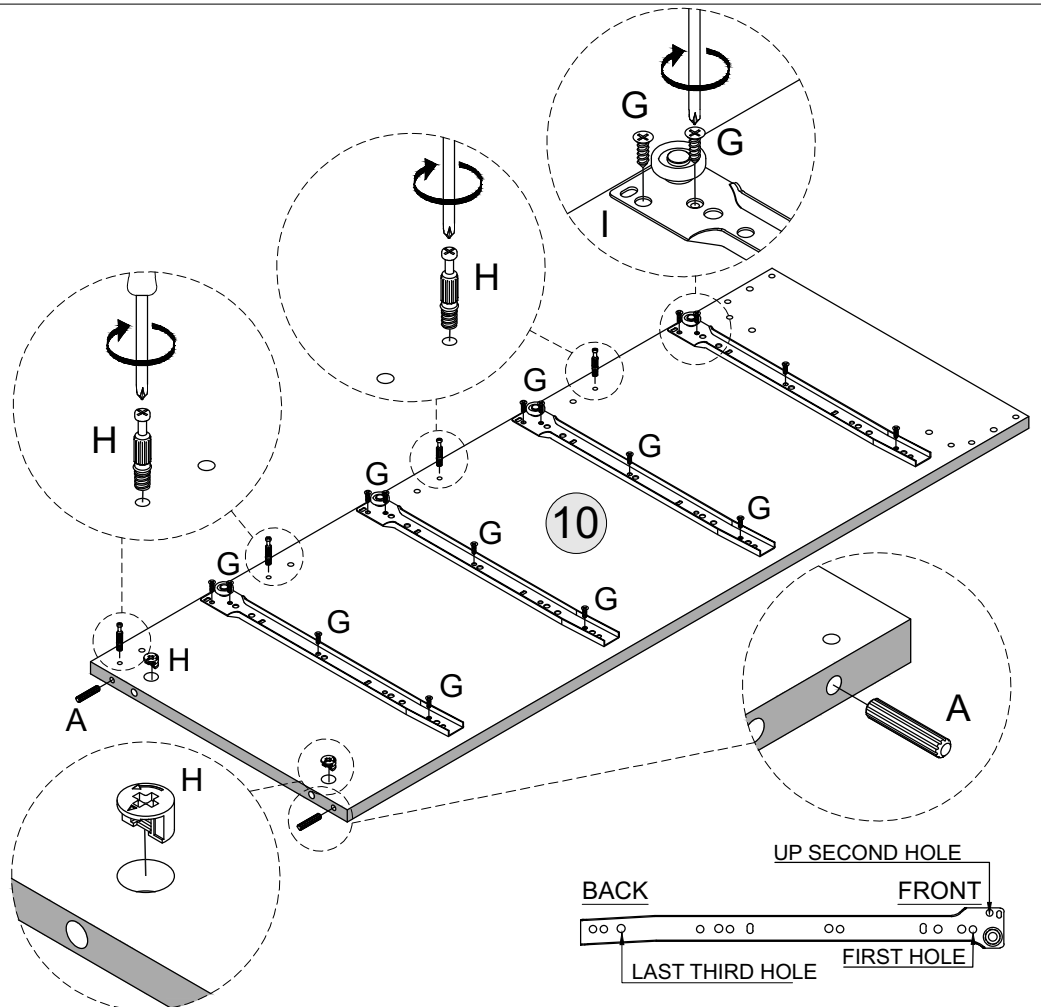
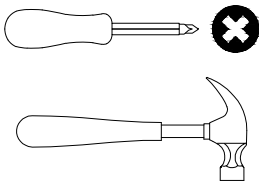
PARTS REQUIRED

10 - SIDE PANEL - RIGHT x1

HARDWARE REQUIRED

A		02
G		16
H		04
H		02
I		04

TOOLS REQUIRED




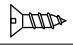
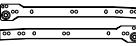


STEP 3

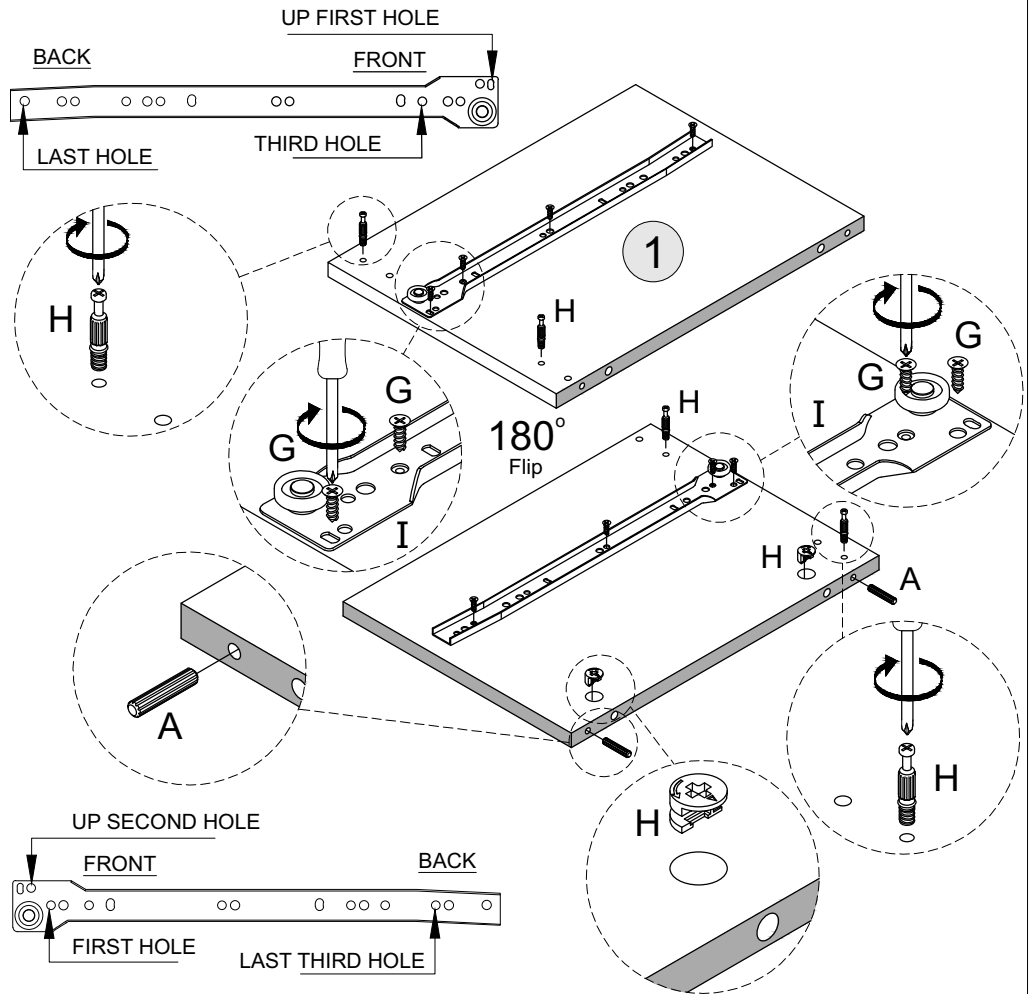
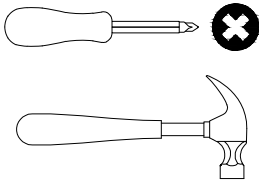
PARTS REQUIRED

1 - CENTRE PANEL x1

HARDWARE REQUIRED

- A  02
- H  04
- H  02
- G  08
- I  02

TOOLS REQUIRED





STEP 4

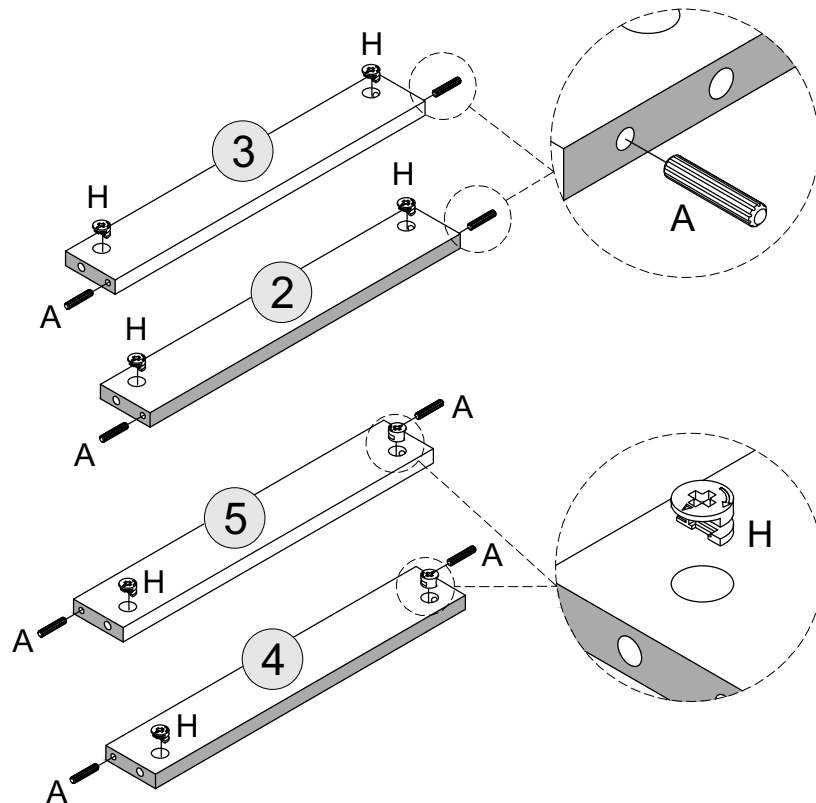
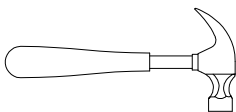
PARTS REQUIRED

- 2 - SMALL CROSSBAR I - LEFT x1
- 3 - SMALL CROSSBAR II - LEFT x1
- 4 - SMALL CROSSBAR I - RIGHT x1
- 5 - SMALL CROSSBAR II - RIGHT x1

HARDWARE REQUIRED

- A  08
- H  08

TOOLS REQUIRED



STEP 5

PARTS REQUIRED

7 - LARGE CROSSBAR x2

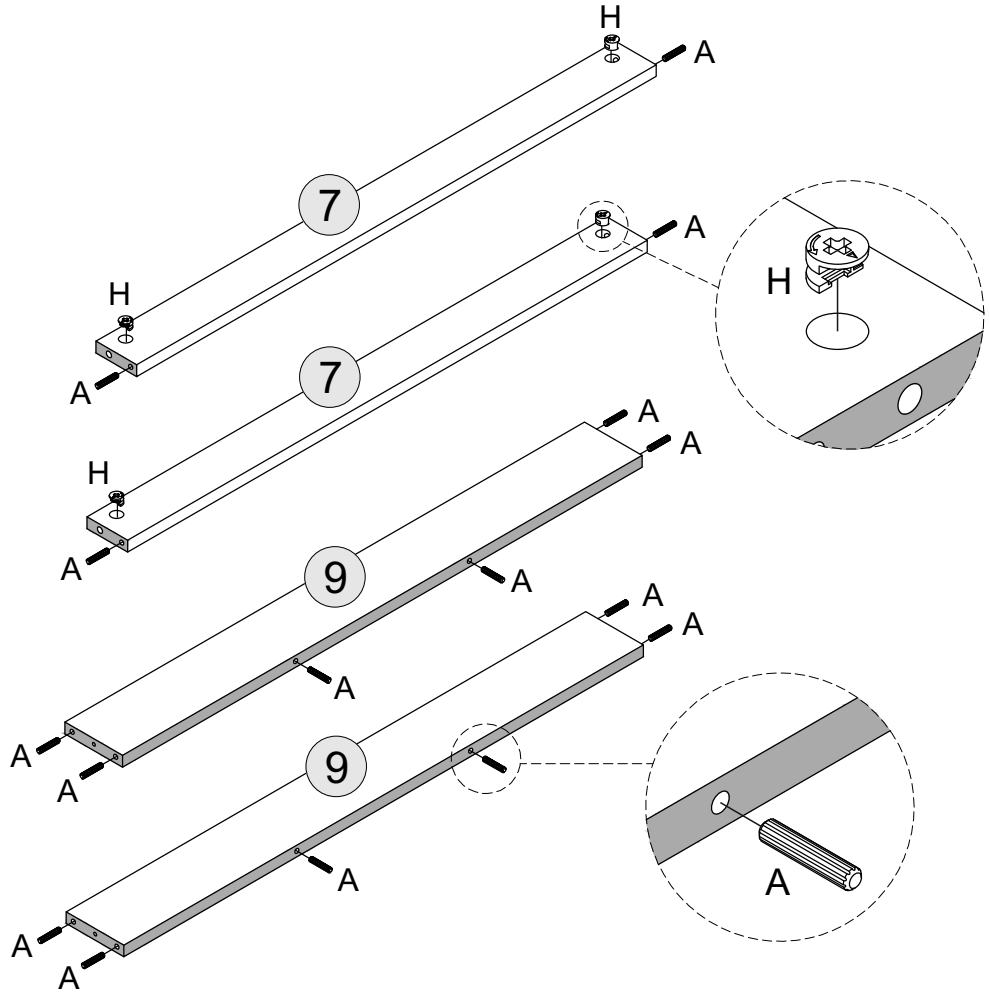
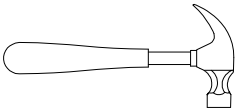
9 - BASE APRON x2

HARDWARE REQUIRED

A  16

H  04

TOOLS REQUIRED




STEP 6

PARTS REQUIRED

8 - BOTTOM PANEL x1

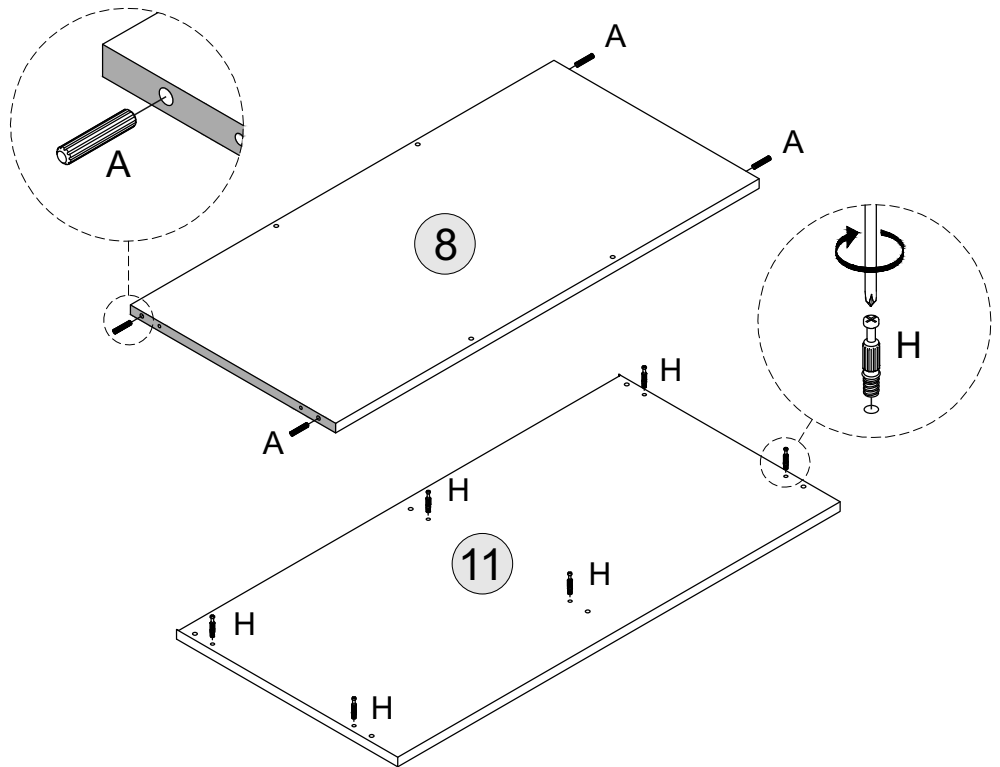
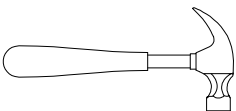
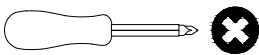
11 - TOP PANEL x1

HARDWARE REQUIRED

A  04

H  06

TOOLS REQUIRED



STEP 7

PARTS REQUIRED

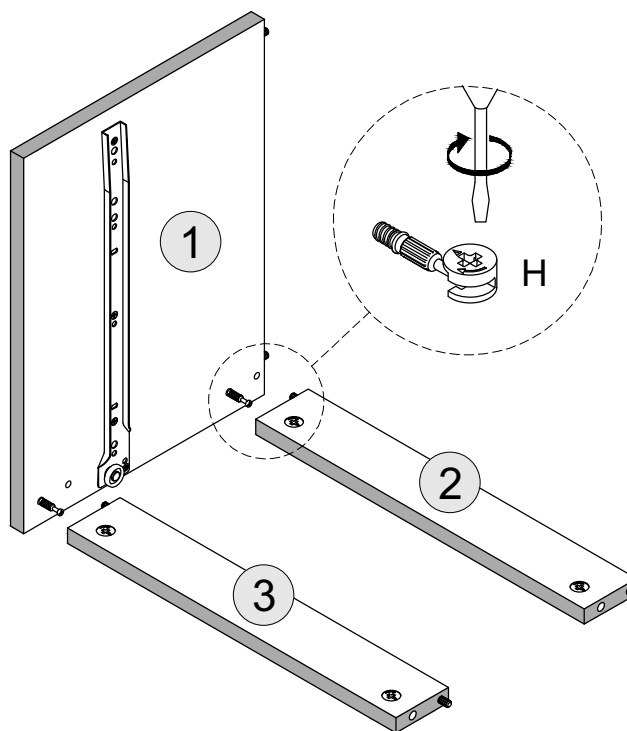
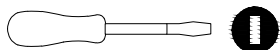
1 - CENTRE PANEL x1

2 - SMALL CROSSBAR I - LEFT x1

3 - SMALL CROSSBAR II - LEFT x1

HARDWARE REQUIRED

TOOLS REQUIRED

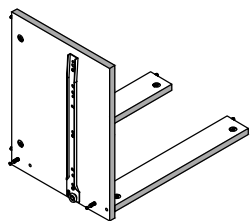


STEP 8

PARTS REQUIRED

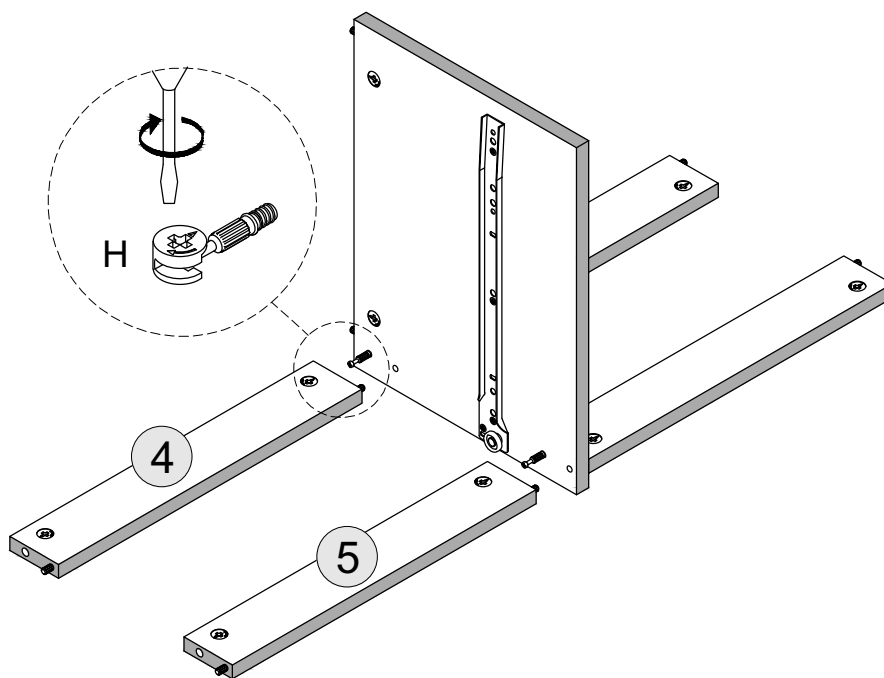
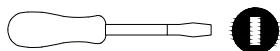
4 - SMALL CROSSBAR I - RIGHT x1

5 - SMALL CROSSBAR II - RIGHT x1



HARDWARE REQUIRED

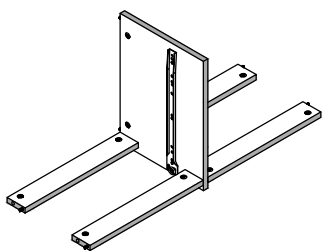
TOOLS REQUIRED



STEP 9

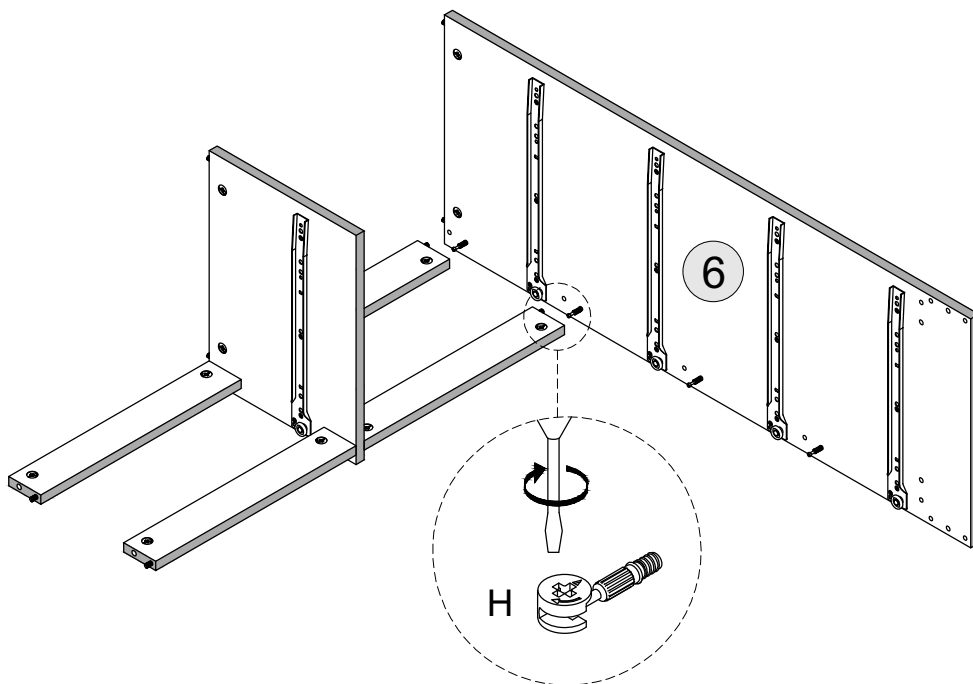
PARTS REQUIRED

6 - SIDE PANEL - LEFT x1



HARDWARE REQUIRED

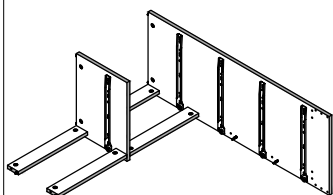
TOOLS REQUIRED



STEP 10

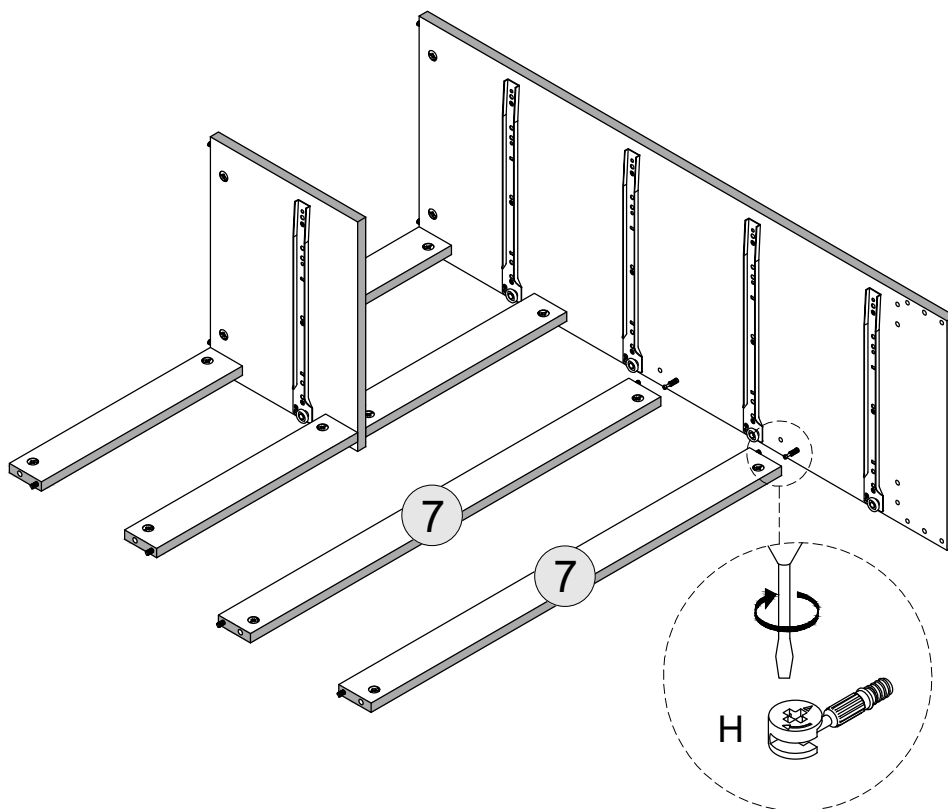
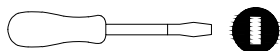
PARTS REQUIRED

7 - LARGE CROSSBAR x2



HARDWARE REQUIRED

TOOLS REQUIRED



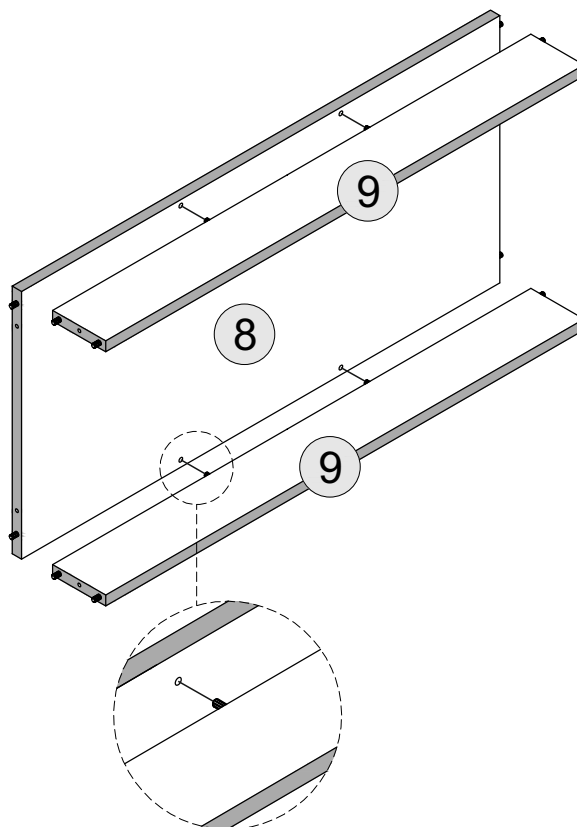
STEP 11

PARTS REQUIRED

8 - BOTTOM PANEL	x1
9 - BASE APRON	x2

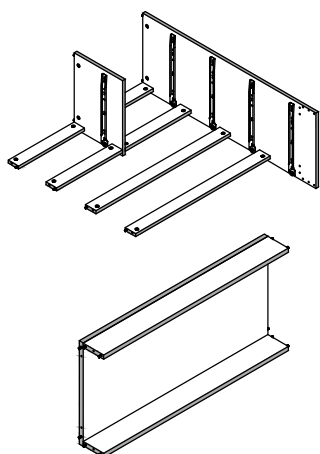
HARDWARE REQUIRED

TOOLS REQUIRED

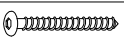


STEP 12

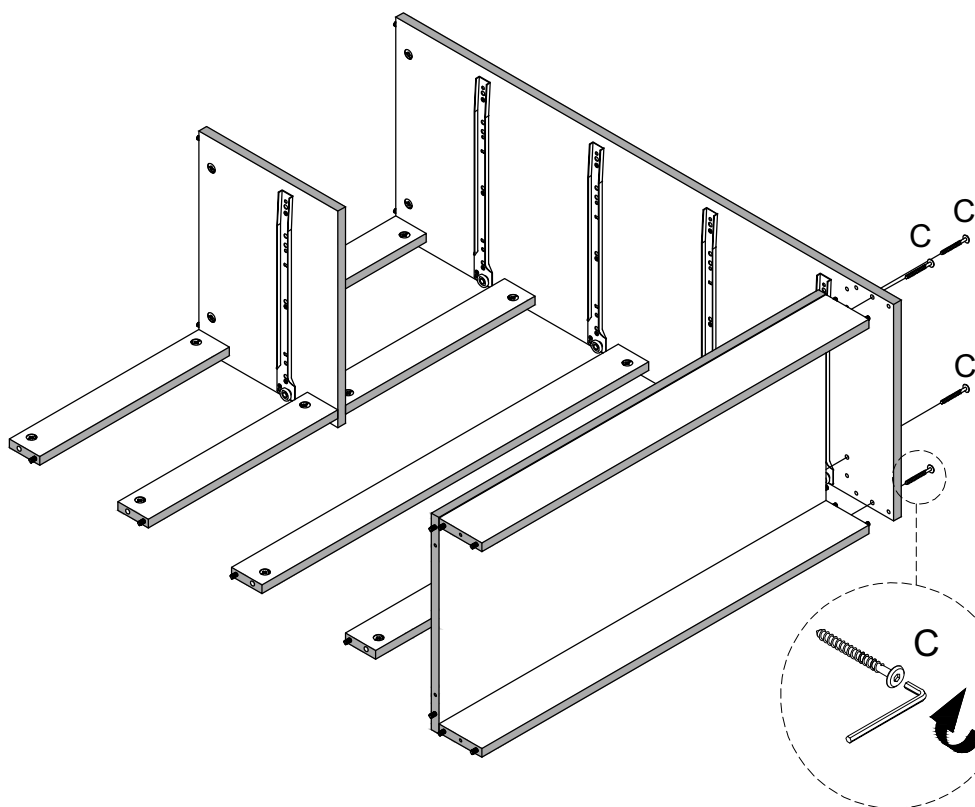
PARTS REQUIRED



HARDWARE REQUIRED

C		04
---	-------------------------------------------------------------------------------------	----

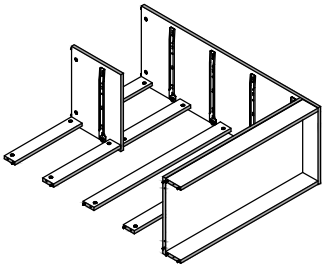
TOOLS REQUIRED



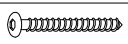
STEP 13

PARTS REQUIRED

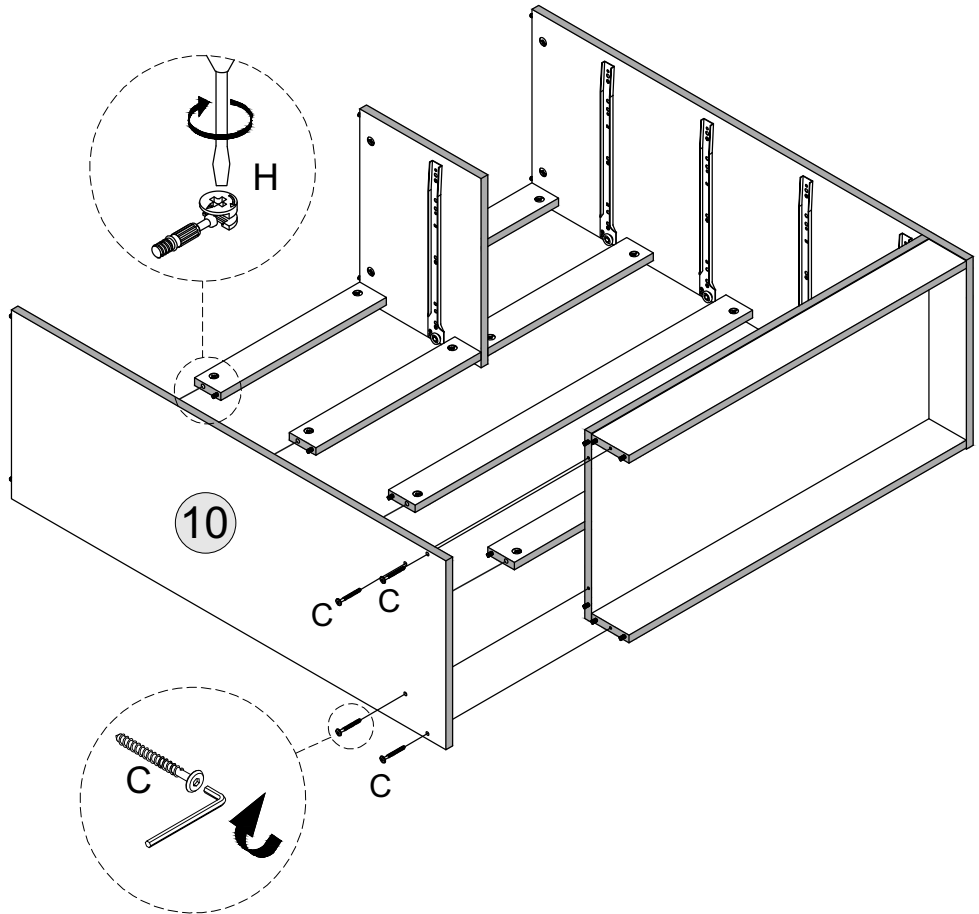
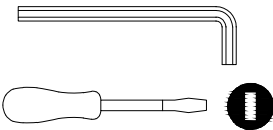
10 - SIDE PANEL - RIGHT x1



HARDWARE REQUIRED

C  04

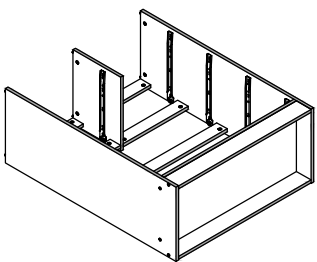
TOOLS REQUIRED



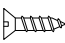
STEP 14

PARTS REQUIRED

11 - TOP PANEL x1

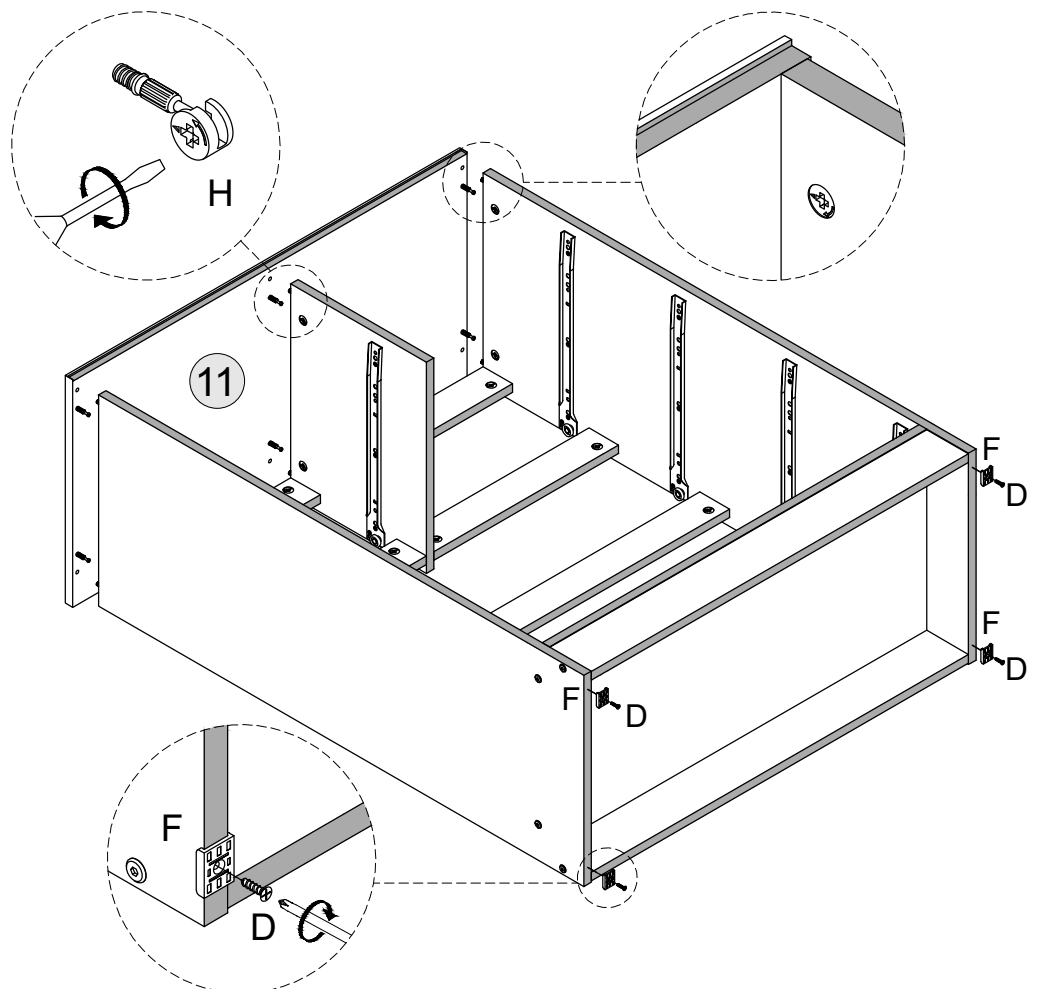
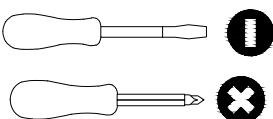


HARDWARE REQUIRED

D  04

F  04

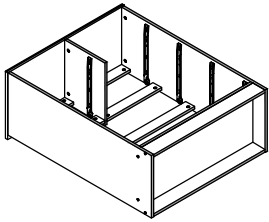
TOOLS REQUIRED



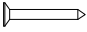
STEP 15

PARTS REQUIRED

12 - BACK PANEL x2

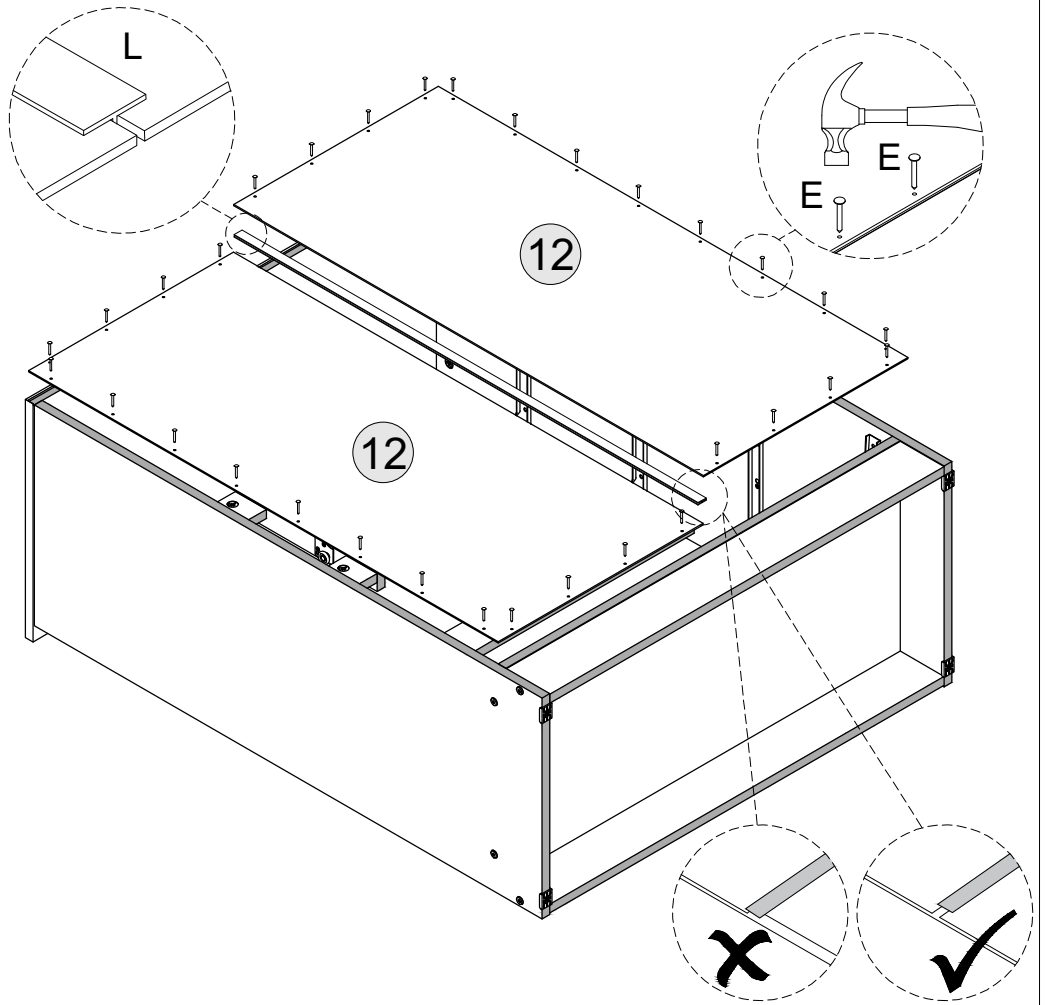
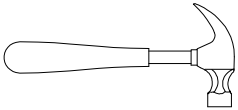


HARDWARE REQUIRED

E  32

L  01

TOOLS REQUIRED



STEP 16

PARTS REQUIRED

13 - SMALL DRAWER BACK x2

14 - DRAWER SIDE-LEFT x2

15 - DRAWER SIDE-RIGHT x2

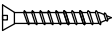
16 - SMALL DRAWER FRONT - LEFT x1

18 - SMALL DRAWER FRONT - RIGHT x1

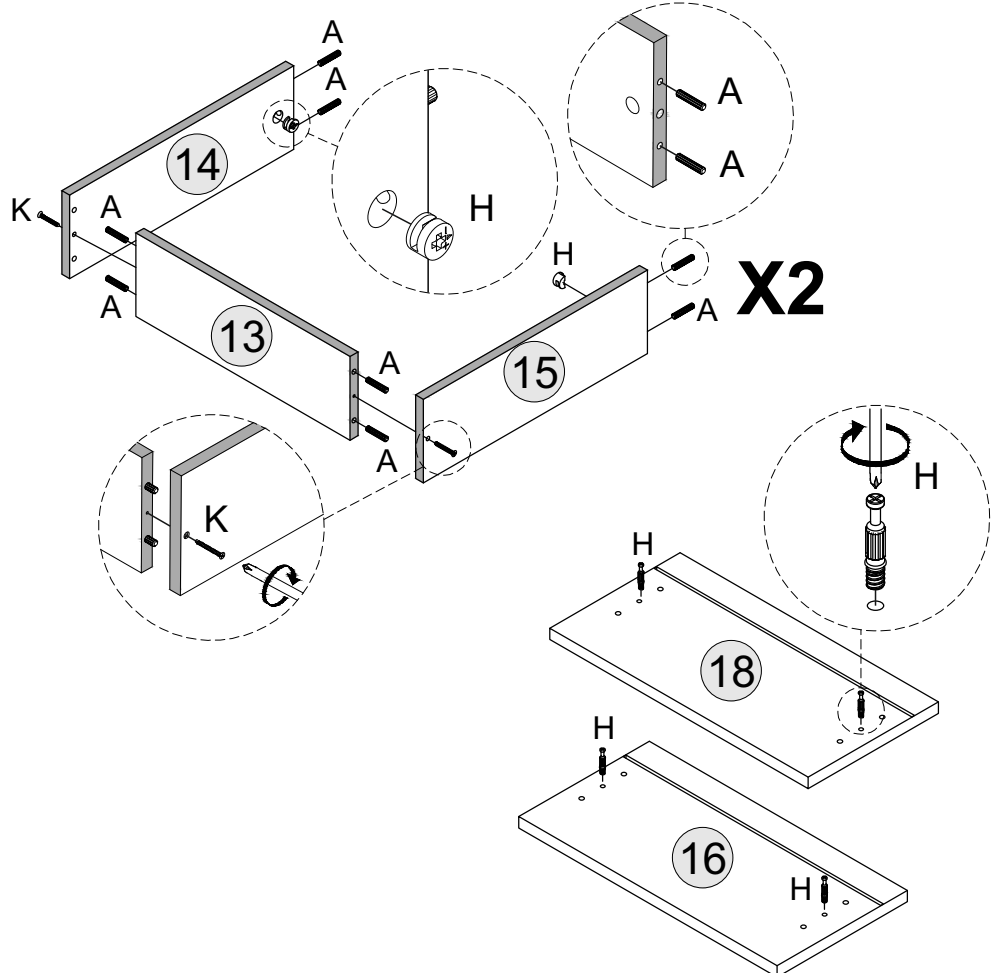
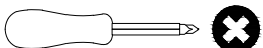
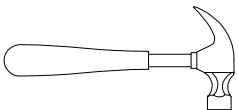
HARDWARE REQUIRED

A  16

H  04

K  04

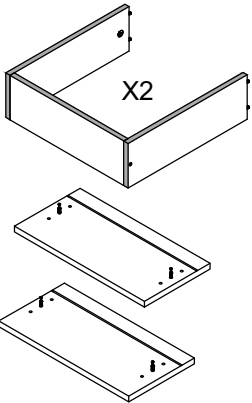
TOOLS REQUIRED



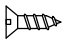
STEP 17

PARTS REQUIRED

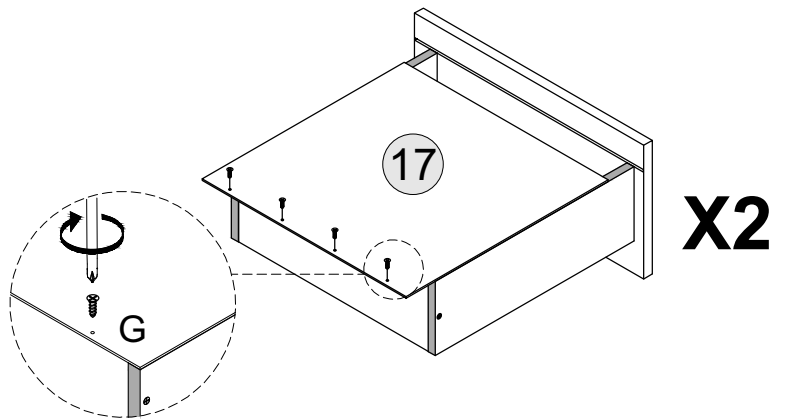
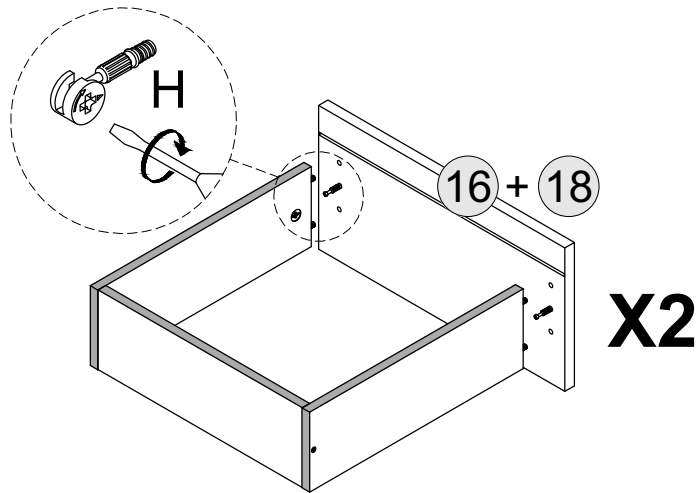
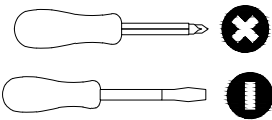
17 - SMALL DRAWER BASE x2



HARDWARE REQUIRED

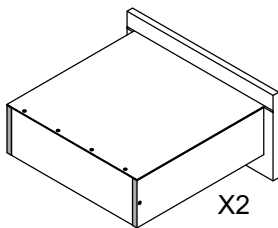
G  08

TOOLS REQUIRED

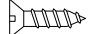


STEP 18

PARTS REQUIRED

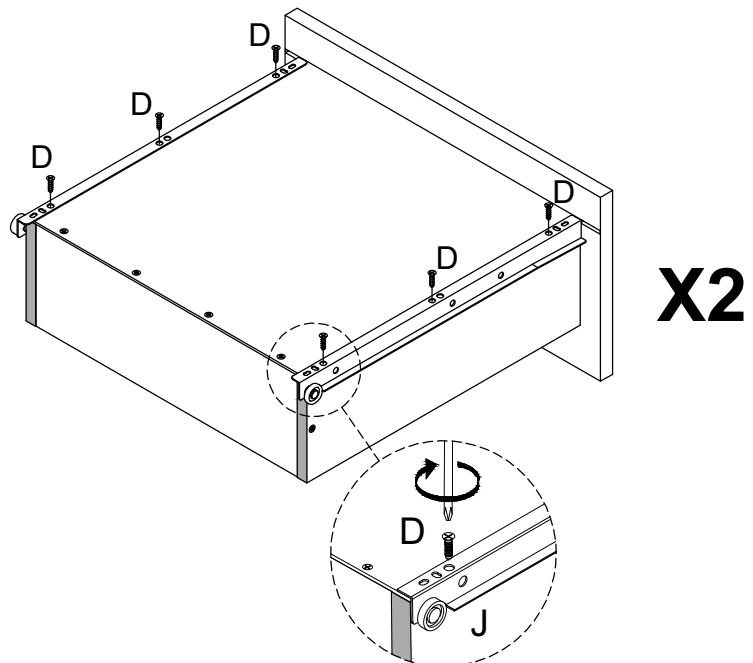
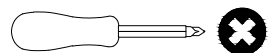


HARDWARE REQUIRED

D  12

J  04

TOOLS REQUIRED

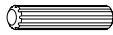


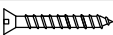


STEP 19

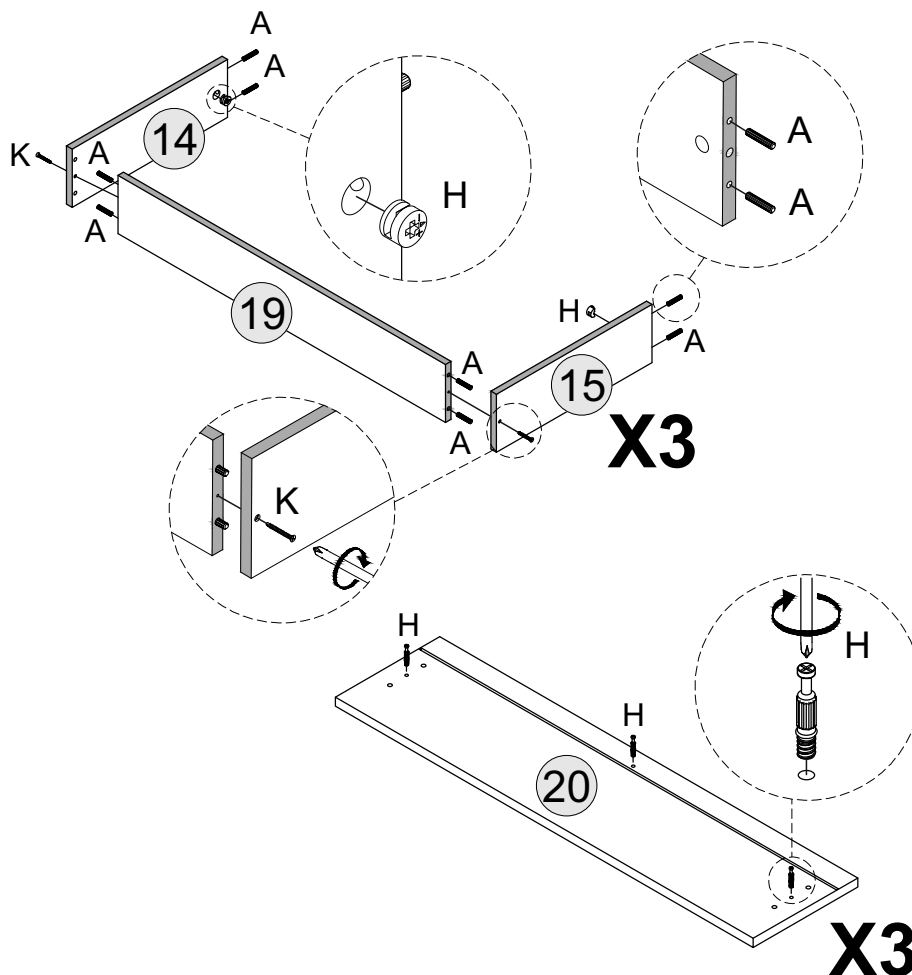
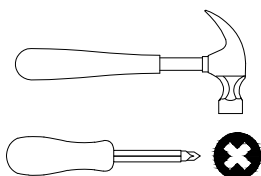
PARTS REQUIRED

- 14 - DRAWER SIDE-LEFT x3
- 15 - DRAWER SIDE-RIGHT x3
- 19 - LARGE DRAWER BACK x3
- 20 - LARGE DRAWER FRONT x3

HARDWARE REQUIRED

- A  24
- H  09
- H  06
- K  06

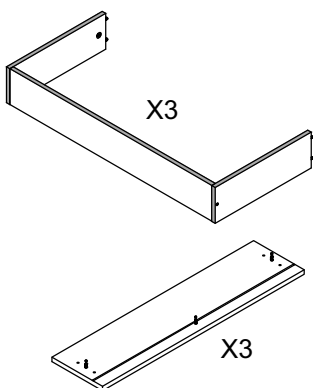
TOOLS REQUIRED



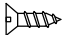
STEP 20

PARTS REQUIRED

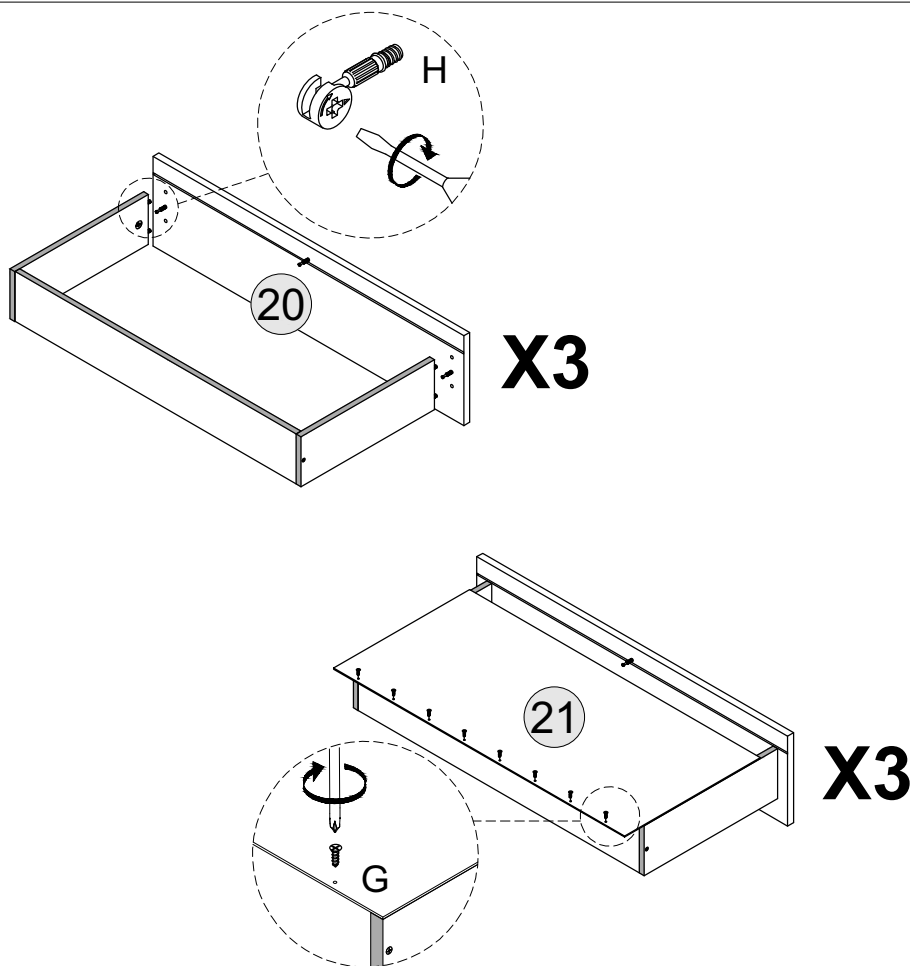
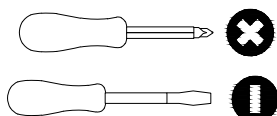
- 21 - LARGE DRAWER BASE x3



HARDWARE REQUIRED

- G  24

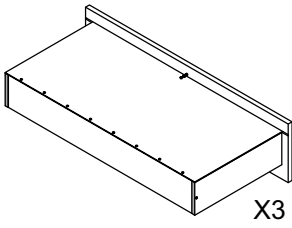
TOOLS REQUIRED



STEP 21

PARTS REQUIRED

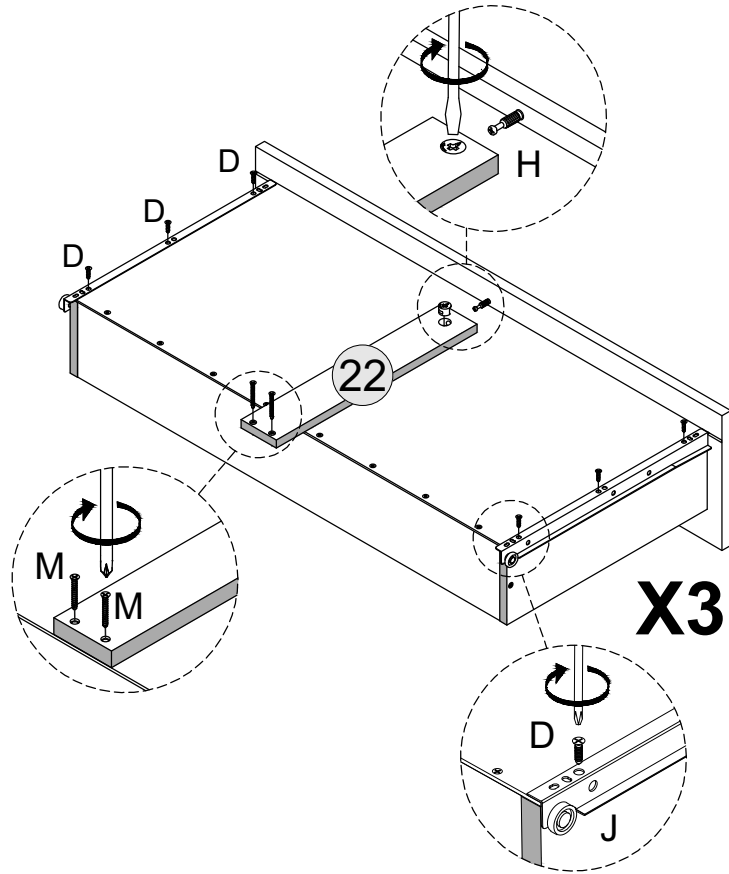
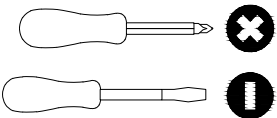
22 - DRAWER BOTTOM SUPPORT RAIL X3



HARDWARE REQUIRED

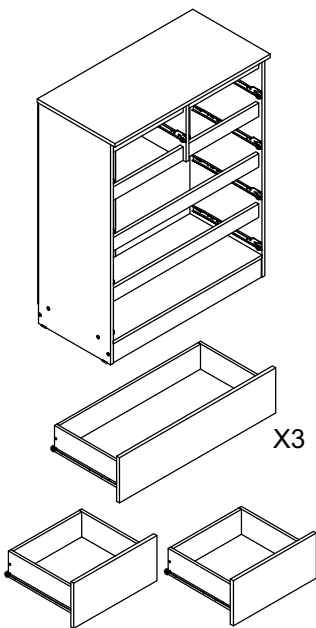
D		18
H		03
J		06
M		06

TOOLS REQUIRED



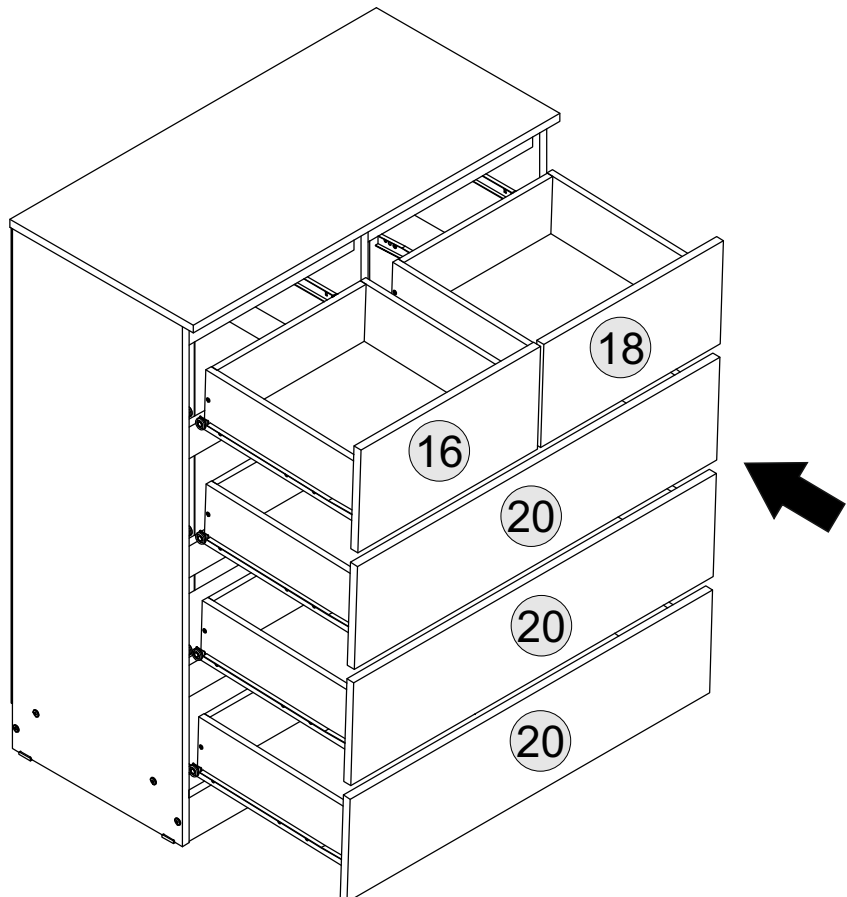
STEP 22

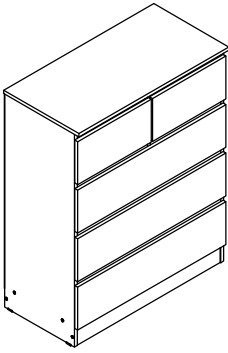
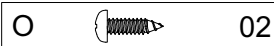
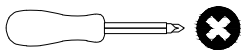
PARTS REQUIRED



HARDWARE REQUIRED

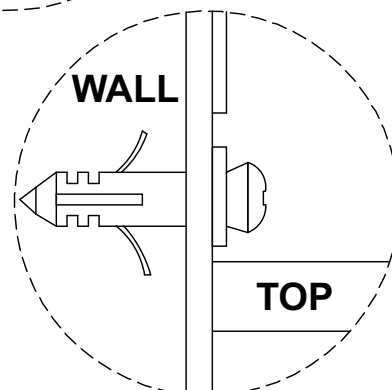
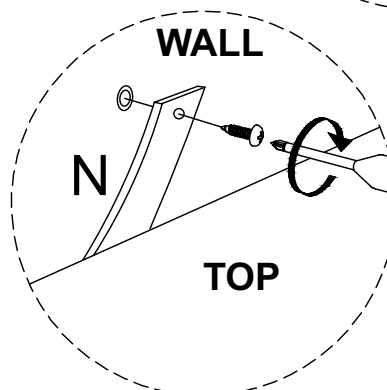
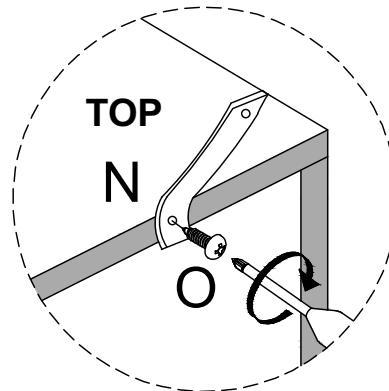
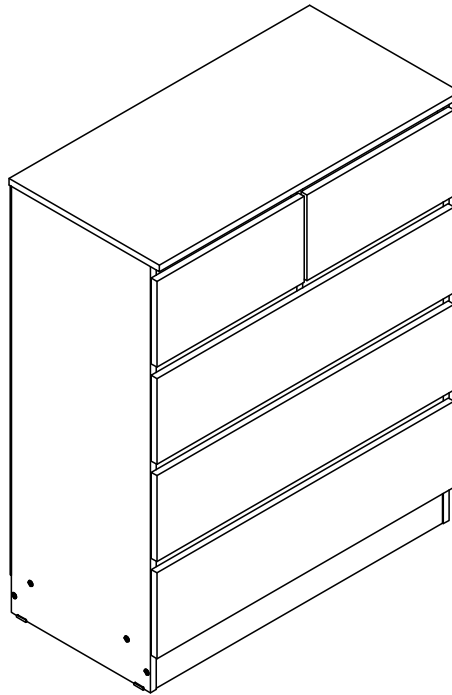
TOOLS REQUIRED



STEP 23PARTS REQUIREDHARDWARE REQUIREDTOOLS REQUIRED**WARNING**

Serious or fatal injuries can occur from furniture tipping over. To prevent the furniture from tipping over we recommend that it is permanently fixed to the wall.

Wall fixings are not supplied with this product as different wall materials require different types of fixing devices. Please make sure you use fixings suitable for the walls in your home.



INFORMATIONS IMPORTANTES (FRENCH)

IMPORTANTE POUR USAGE DOMESTIQUE UNIQUEMENT VEUILLEZ LIRE AVANT DE CONTINUER

Le produit que vous avez acheté vous offrira de nombreuses années de service si vous suivez les directives pour son assemblage sûr et son entretien et nettoyage périodiques.

Assemblez sur une surface douce et propre.

N'utilisez aucun autre outil que ceux illustrés.

Toutes les clés ou clés Allen nécessaires sont fournies avec le kit de fixation.

N'utilisez en aucun cas un outil électrique pour assembler ce produit. Son utilisation invalidera toute réclamation que vous pourriez avoir et pourrait rendre ce produit dangereux.

Selon la quantité d'utilisation de ce produit, il peut être nécessaire de resserrer les fixations de temps en temps. Cela est tout à fait normal pour tout meuble en kit. Ne serrez pas trop les fixations.

Pour le nettoyage, vous pouvez utiliser un chiffon humide (pas mouillé).

N'utilisez pas de produits de polissage, de détergent ou de nettoyeurs chimiques.

La surface de cet article n'est pas résistante à la chaleur. Utilisez toujours un set de table sous les articles chauds ou froids pour éviter les marques.

ADVERTENCIA (ANTI-BASCULEMENT)

Des blessures graves, voire mortelles, peuvent survenir en cas de basculement d'un meuble. Pour éviter que le meuble ne bascule, nous recommandons de le fixer de manière permanente au mur.

Les fixations murales ne sont pas fournies avec ce produit, car les différents matériaux de mur nécessitent différents types de dispositifs de fixation. Veuillez vous assurer d'utiliser des fixations adaptées aux murs de votre maison. Veuillez vous référer à la dernière page.

INFORMACIÓN IMPORTANTE (SPANISH)

IMPORTANTE SOLO PARA USO DOMÉSTICO LEER ANTES DE CONTINUAR

El producto que ha adquirido le brindará muchos años de servicio si sigue las pautas para su montaje seguro y su mantenimiento y limpieza periódicos.

Ensamble sobre una superficie suave y limpia.

No utilice herramientas distintas a las que se muestran.

Las llaves inglesas o llaves Allen necesarias se incluyen con el kit de accesorios.

No utilice bajo ningún concepto una herramienta eléctrica para ensamblar este producto. Su uso invalidará cualquier reclamo que pueda tener y podría hacer que este producto sea inseguro.

Dependiendo de la cantidad de uso que reciba este producto, puede ser necesario apretar las fijaciones de vez en cuando. Esto es completamente normal para cualquier mueble en paquete plano. No apriete demasiado las fijaciones.

Para la limpieza, puede utilizar un paño húmedo (no mojado). No utilice abrillantadores, detergentes ni limpiadores químicos.

La superficie de este artículo no es resistente al calor. Utilice siempre un mantel individual debajo de los elementos calientes o fríos para evitar marcarlos.

ADVERTENCIA (ANTI-VUELCO)

El vuelco de los muebles puede provocar lesiones graves o fatales. Para evitar que los muebles se vuelquen, recomendamos fijarlos permanentemente a la pared.

Este producto no incluye fijaciones de pared, ya que los distintos materiales de pared requieren distintos tipos de dispositivos de fijación. Asegúrese de utilizar fijaciones adecuadas para las paredes de su hogar. Veuillez vous référer à la dernière page.

WICHTIGE INFORMATIONEN (GERMAN)

WICHTIG! NUR FÜR DEN HAUSHALTSGEBRAUCH BITTE LESEN SIE, BEVOR SIE FORTFAHREN

Das von Ihnen gekaufte Produkt wird Ihnen viele Jahre lang gute Dienste leisten, wenn Sie die Richtlinien für eine sichere Montage und regelmäßige Wartung und Reinigung befolgen.

Montieren Sie es auf einer weichen, sauberen Oberfläche.

Verwenden Sie keine anderen Werkzeuge als die abgebildeten.

Erforderliche Schraubenschlüssel oder Inbusschlüssel sind im Montagesatz enthalten.

Verwenden Sie unter keinen Umständen ein Elektrowerkzeug zur Montage dieses Produkts. Bei Verwendung erlöschen alle Ansprüche, die Sie haben, und das Produkt kann unsicher werden.

Je nachdem, wie häufig dieses Produkt verwendet wird, kann es erforderlich sein, die Befestigungen von Zeit zu Zeit festzuziehen. Dies ist bei Möbeln aus dem Bausatz völlig normal. Ziehen Sie die Befestigungen nicht zu fest an.

Zum Reinigen können Sie ein feuchtes Tuch verwenden (nicht nass).

Verwenden Sie keine Politur, kein Reinigungsmittel oder chemische Reiniger.

Die Oberfläche dieses Artikels ist nicht hitzebeständig. Verwenden Sie immer eine Unterlage unter heißen oder kalten Gegenständen, um Flecken zu vermeiden.

WARNUNG (KIPPSCHUTZ)

Durch das Umkippen von Möbeln können schwere oder tödliche Verletzungen entstehen. Um ein Umkippen der Möbel zu verhindern, empfehlen wir, diese dauerhaft an der Wand zu befestigen.

Wandbefestigungen werden nicht mit diesem Produkt mitgeliefert, da unterschiedliche Wandmaterialien unterschiedliche Arten von Befestigungsvorrichtungen erfordern. Bitte stellen Sie sicher, dass Sie Befestigungsvorrichtungen verwenden, die für die Wände in Ihrem Zuhause geeignet sind. Bitte beachten Sie die letzte Seite.

INFORMAZIONI IMPORTANTI (ITALIAN)

IMPORTANTE, SOLO PER USO DOMESTICO SI PREGA DI LEGGERE PRIMA DI CONTINUARE OLTRE

Il prodotto che hai acquistato ti garantirà molti anni di servizio se segui le linee guida per il suo montaggio sicuro e periodico manutenzione e pulizia.

Montare su una superficie morbida e pulita.

Non utilizzare strumenti diversi da quelli mostrati.

Eventuali chiavi e chiavi a brugola necessarie sono incluse nel kit di raccordi.

Non utilizzare per nessun motivo un utensile elettrico per assemblare questo prodotto. Suo l'uso invaliderà qualsiasi reclamo tu possa avere e potresti avanzare su questo prodotto pericoloso.

A seconda della quantità di utilizzo che questo prodotto riceve, potrebbe essere necessario stringere di tanto in tanto i fissaggi.

Questo è completamente

normalmente per qualsiasi mobile flat pack. Non stringere eccessivamente il fissaggio.

Per la pulizia è possibile utilizzare un panno umido (non bagnato).

Non usare smalti, detersivi o detergenti chimici.

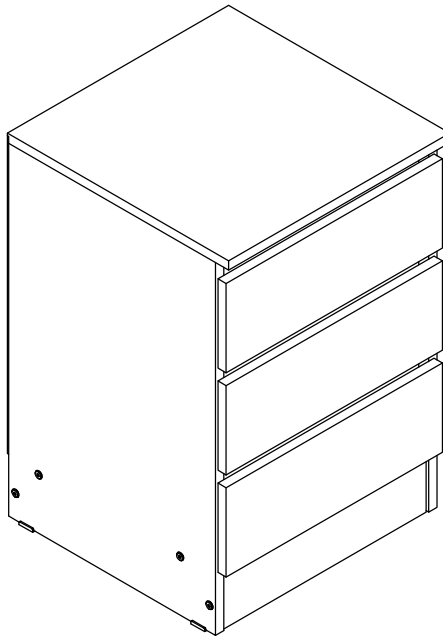
La superficie di questo articolo non è resistente al calore. Usa sempre una tovaglietta sotto oggetti caldi o freddi per evitare segni.

AVVERTIMENTO (ANTIRIBALTAMENTO)

Il ribaltamento dei mobili può provocare lesioni gravi e mortali. A evitare che i mobili si ribaltino, si consiglia di farlo fissato permanentemente al muro.

I fissaggi a parete non sono forniti con questo prodotto in quanto parete diversa i materiali richiedono diversi tipi di dispositivi di fissaggio. Per favore, fallo assicurati di utilizzare fissaggi adatti alle pareti della tua casa. Si prega di fare riferimento all'ultima pagina.

MALVERN 3 DRAWER BEDSIDE ASSEMBLY INSTRUCTIONS



**IMPORTANT
FOR DOMESTIC USE ONLY
PLEASE READ BEFORE YOU CONTINUE FURTHER**

THE PRODUCT YOU HAVE PURCHASED WILL GIVE YOU MANY YEARS OF SERVICE IF YOU FOLLOW THE GUIDELINES FOR ITS SAFE ASSEMBLY AND PERIODIC MAINTENANCE AND CLEANING.

ASSEMBLE ON A SOFT CLEAN SURFACE.

DO NOT USE ANY TOOLS OTHER THAN THOSE SHOWN.

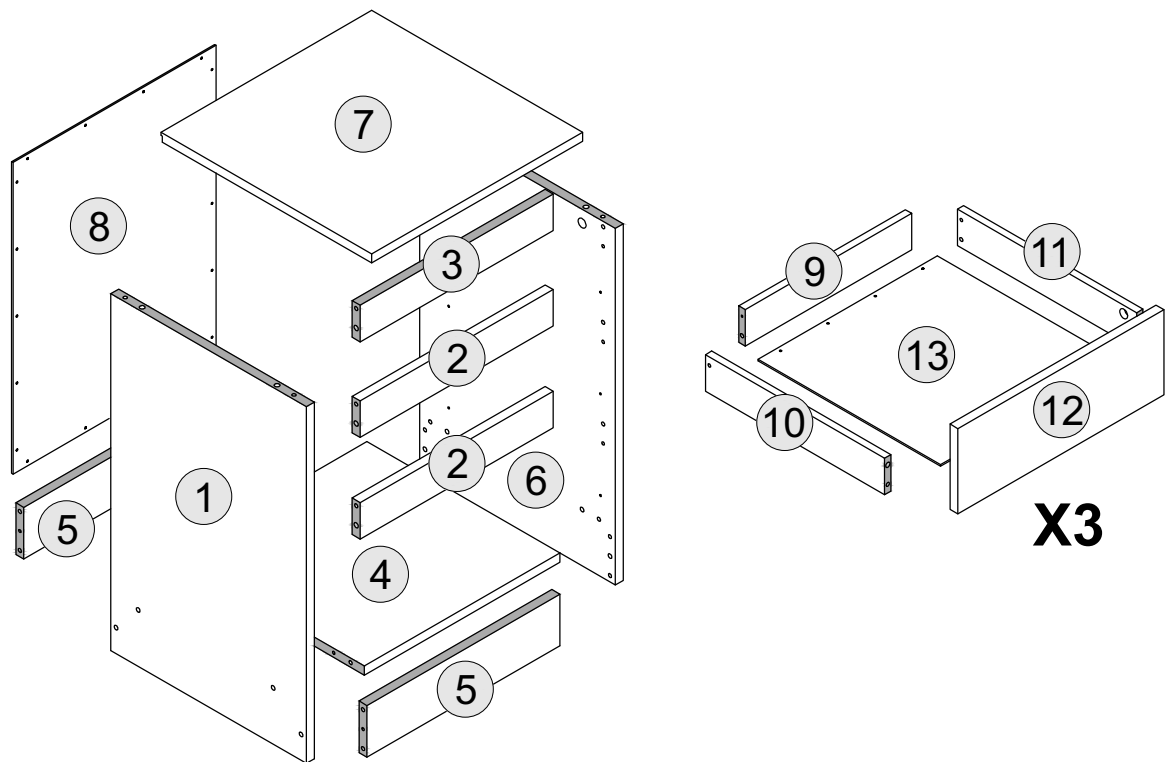
ANY SPANNERS OR ALLEN KEYS REQUIRED ARE INCLUDED WITH THE FITTINGS KIT.

DO NOT FOR ANY REASON USE A POWER TOOL TO ASSEMBLE THIS PRODUCT. ITS USE WILL INVALIDATE ANY CLAIM YOU MAY HAVE AND COULD MAKE THIS PRODUCT UNSAFE.

DEPENDING ON THE AMOUNT OF USE THIS PRODUCT RECEIVES IT MAY BE NECESSARY TO TIGHTEN UP THE FIXINGS FROM TIME TO TIME. THIS IS COMPLETELY NORMAL FOR ANY FLAT PACK FURNITURE. DO NOT OVERTIGHTEN FIXING.

FOR CLEANING, YOU MAY USE A DAMP CLOTH (NOT WET) DO NOT USE POLISH, DÉTERGENT OR CHEMICAL CLEANERS.



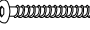
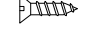


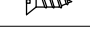
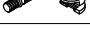
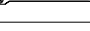

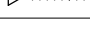
THE SURFACE OF THIS ITEM IS NOT HEAT RESISTANT. ALWAYS USE A PLACE MAT UNDER HOT OR COLD ITEMS TO PREVENT MARKING.

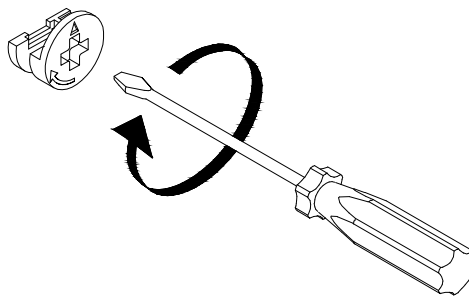


PART LIST

Part Number	Part Code	Part Description	Quantity	Carton
1	S100-103-093-EU1-01	Side Panel - Left	1	1/1
2	S100-103-093-EU1-02	Crossbar	2	1/1
3	S100-103-093-EU1-03	Top Crossbar	1	1/1
4	S100-103-093-EU1-04	Bottom Panel	1	1/1
5	S100-103-093-EU1-05	Base Apron	2	1/1
6	S100-103-093-EU1-06	Side Panel - Right	1	1/1
7	S100-103-093-EU1-07	Top Panel	1	1/1
8	S100-103-093-EU1-08	Back Panel	1	1/1
9	S100-103-093-EU1-09	Drawer Back	3	1/1
10	S100-103-093-EU1-10	Drawer Side - Left	3	1/1
11	S100-103-093-EU1-11	Drawer Side - Right	3	1/1
12	S100-103-093-EU1-12	Drawer Front	3	1/1
13	S100-103-093-EU1-13	Drawer Base	3	1/1

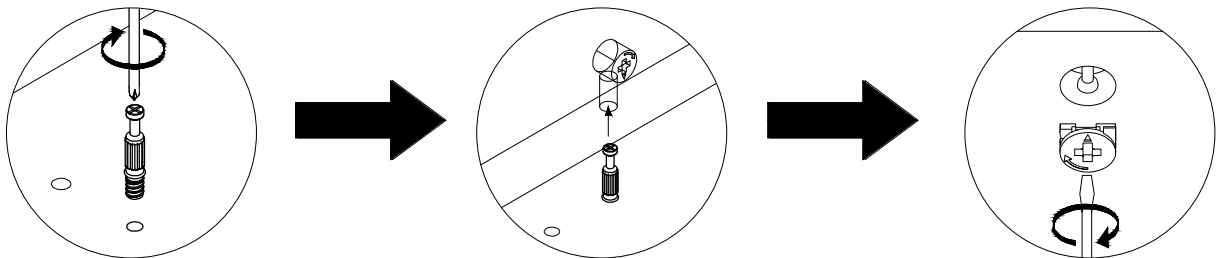
HARDWARE LIST

A		DOWEL 6 X 30MM	34 PCS
B		ALLEN KEY	1 PC
C		BOLT M6 X 50MM	8 PCS
D		SCREW M3.5 X 16MM	22 PCS
E		TACK	18 PCS
F		PLASTIC FOOT	4 PCS
G		SCREW M3.5 X 12MM	36 PCS
H		CAM BOLT + CAM NUT	16 SETS
I		DRAWER RUNNER A - L/R	6 PCS
J		DRAWER RUNNER B - L/R	6 PCS
K		SCREW M4 X 38MM	6 PCS



(SCREWDRIVER NOT PROVIDED)

USE A FLAT HEAD SCREWDRIVER TO TIGHTEN THE CAM NUTS. A QUARTER TURN CLOCKWISE IS ALL THAT IS NEEDED.



STEP 1 - USE A CROSS SLOT SCREWDRIVER TO TIGHTEN THE CAM BOLT INTO THE HOLE.

STEP 2 - ALIGN THE CAM BOLT WITH THE HOLE AND PUSH TOGETHER UNTIL FLUSH. (MAKE SURE THE ARROW OF THE CAM LOCK IS POINTING TOWARD ON THE EDGE OF THE PANEL.)

STEP 3 - THE HEAD OF THE BOLT GOES INTO THE WIDE MOUTH OF THE CAM LOCK. YOU THEN TURN THE LOCK SO THE NARROW PART CLOSES OVER THE BOLT.

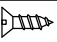
STEP 1

PARTS REQUIRED

1 - SIDE PANEL - LEFT x1

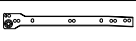
HARDWARE REQUIRED

A  02

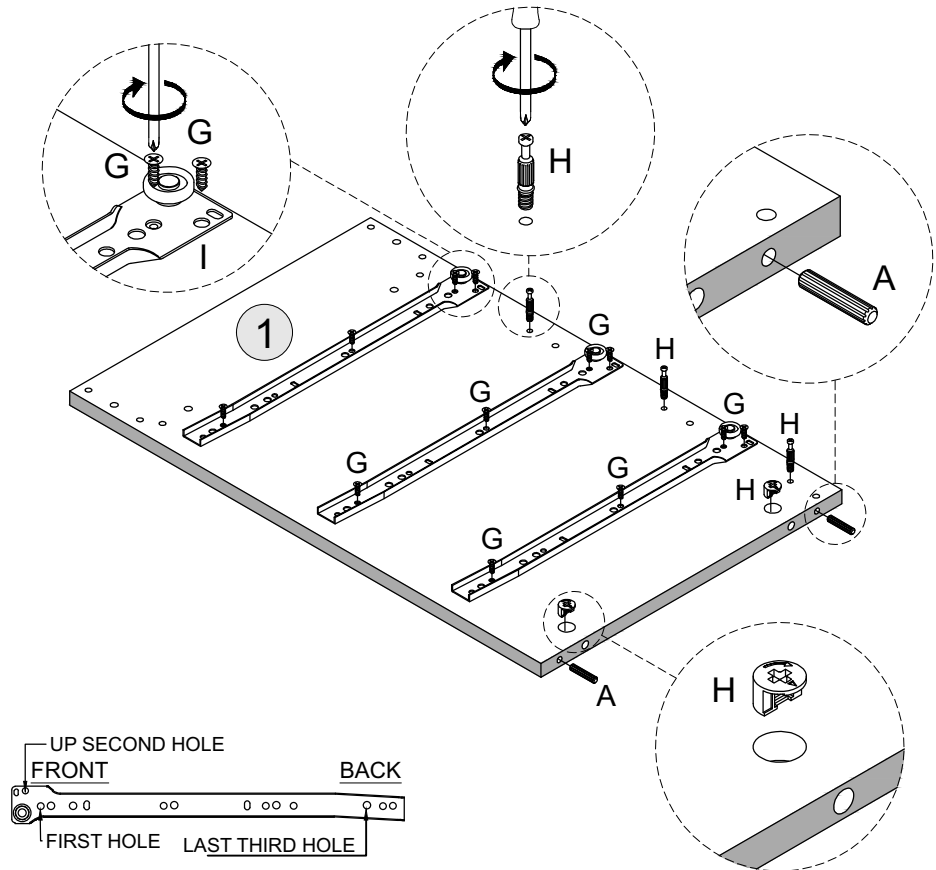
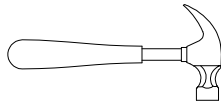
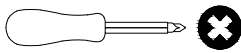
G  12

H  03

H  02

I  03

TOOLS REQUIRED



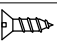
STEP 2

PARTS REQUIRED

6 - SIDE PANEL - RIGHT x1

HARDWARE REQUIRED

A  02

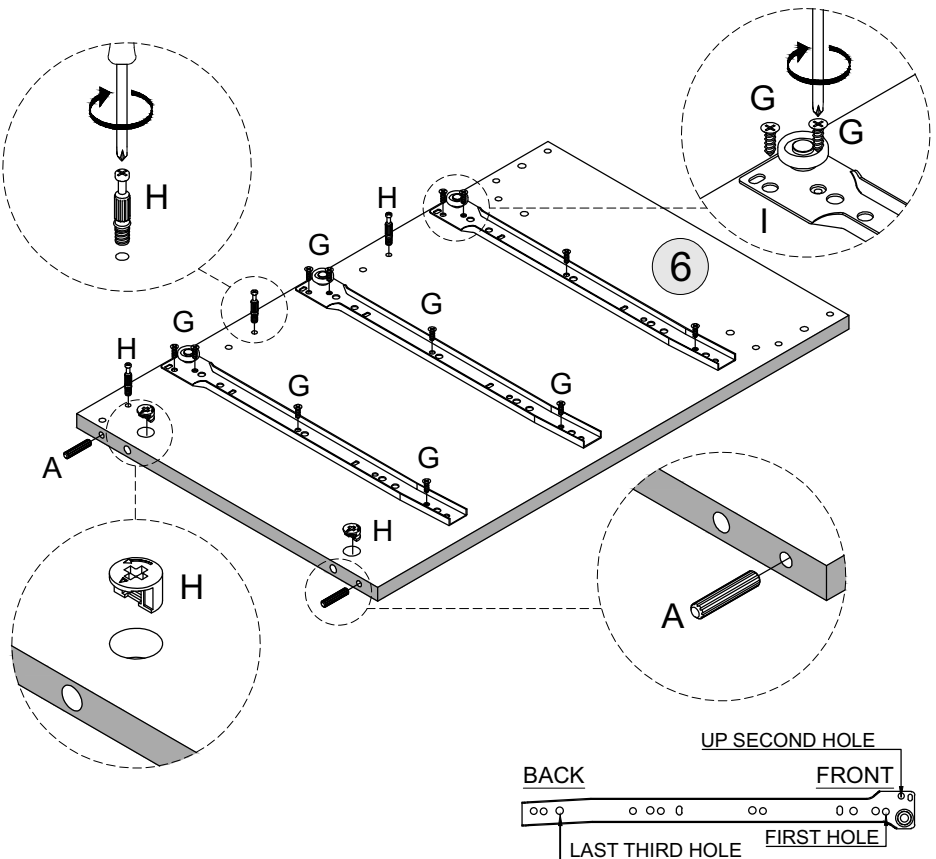
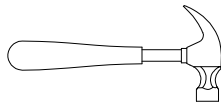
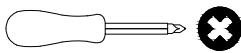
G  12

H  03

H  02

I  03

TOOLS REQUIRED

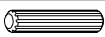



STEP 3

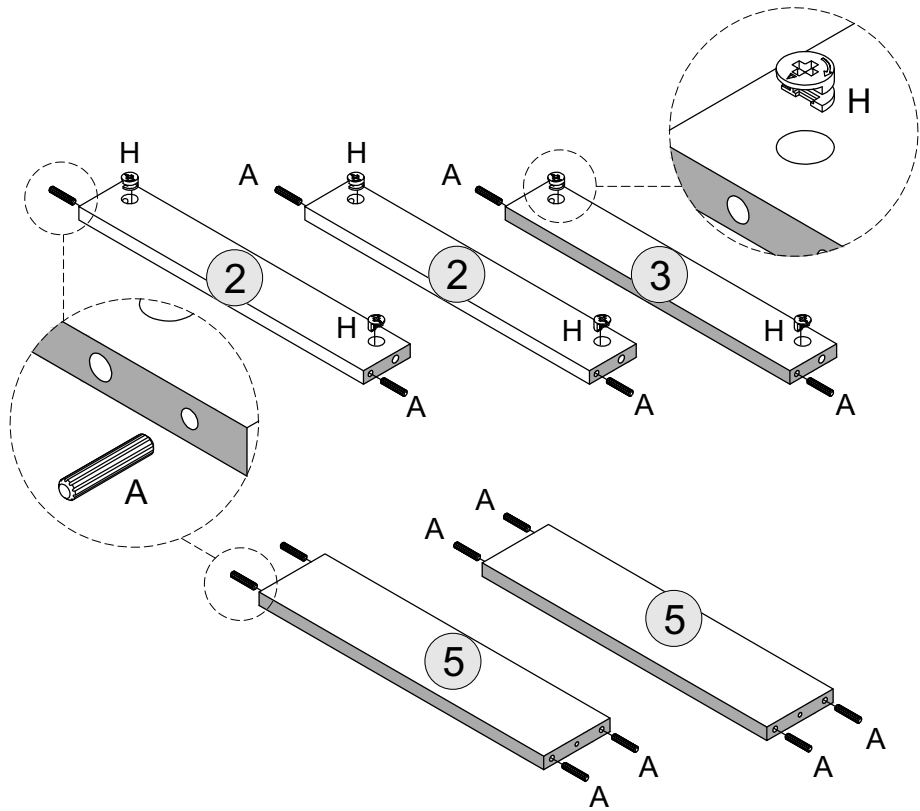
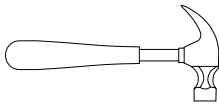
PARTS REQUIRED

2 - CROSSBAR	x2
3 - TOP CROSSBAR	x1
5 - BASE APRON	x2

HARDWARE REQUIRED

A		14
H		06

TOOLS REQUIRED





STEP 4

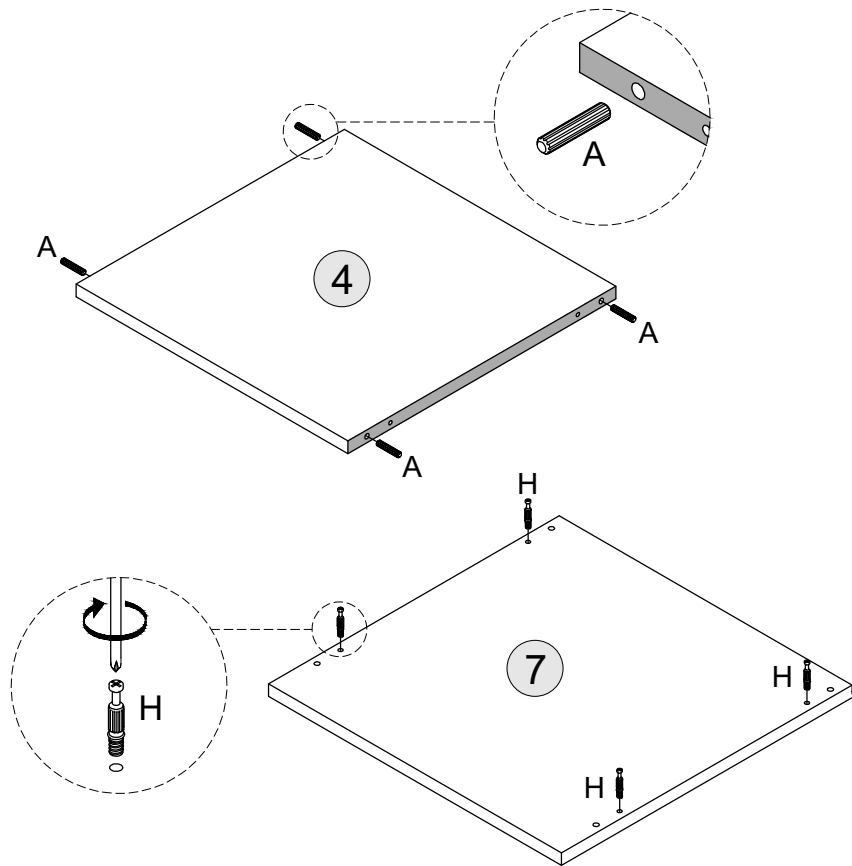
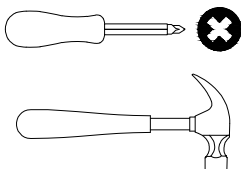
PARTS REQUIRED

4 - BOTTOM PANEL	x1
7 - TOP PANEL	x1

HARDWARE REQUIRED

A		04
H		04

TOOLS REQUIRED



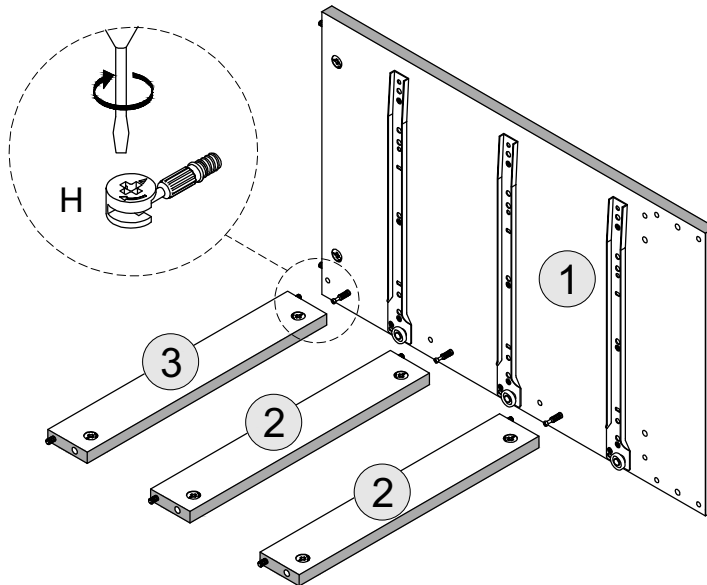
STEP 5

PARTS REQUIRED

1 - SIDE PANEL - LEFT	x1
2 - CROSSBAR	x2
3 - TOP CROSSBAR	x1

HARDWARE REQUIRED

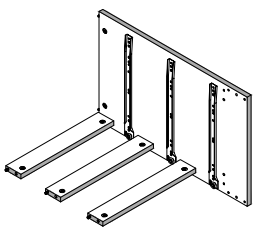
TOOLS REQUIRED



STEP 6

PARTS REQUIRED

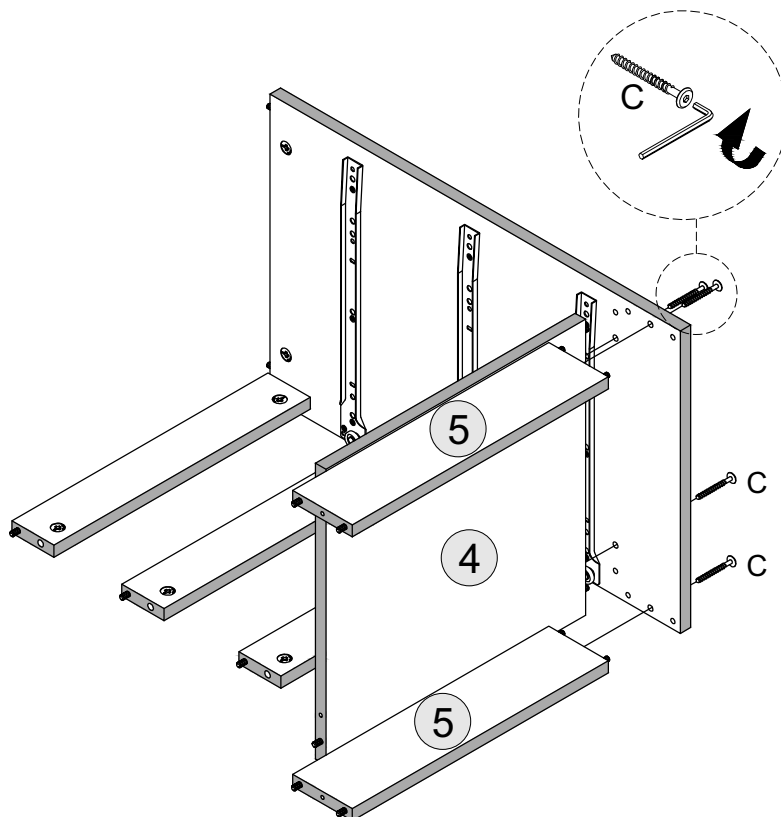
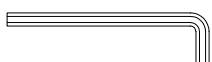
4 - BOTTOM PANEL	x1
5 - BASE APRON	x2



HARDWARE REQUIRED

C		04
---	--	----

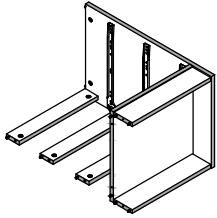
TOOLS REQUIRED




STEP 7

PARTS REQUIRED

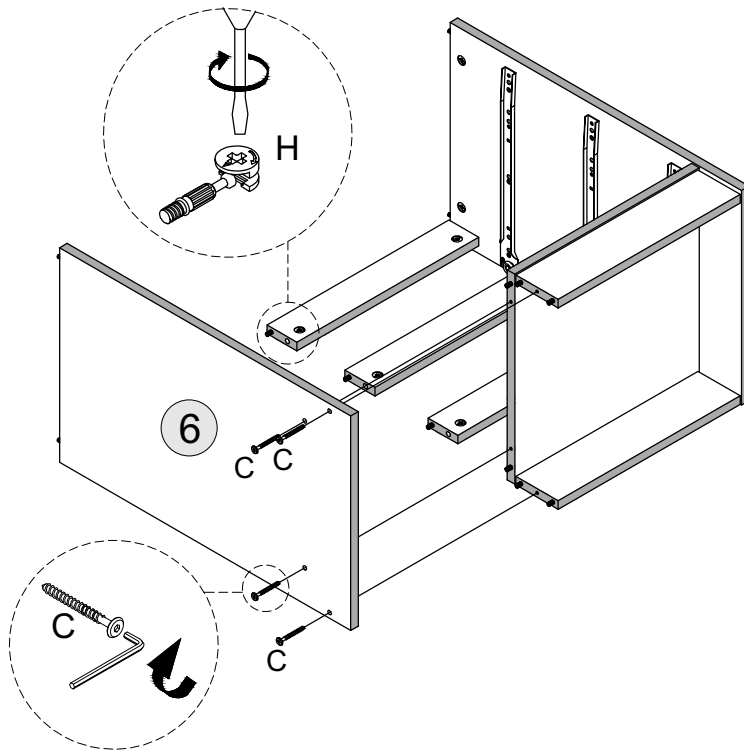
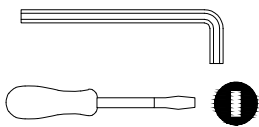
6 - SIDE PANEL - RIGHT x1



HARDWARE REQUIRED

C  04

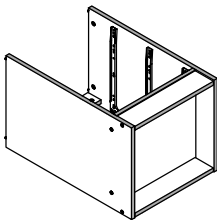
TOOLS REQUIRED



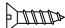
STEP 8

PARTS REQUIRED

7 - TOP PANEL x1

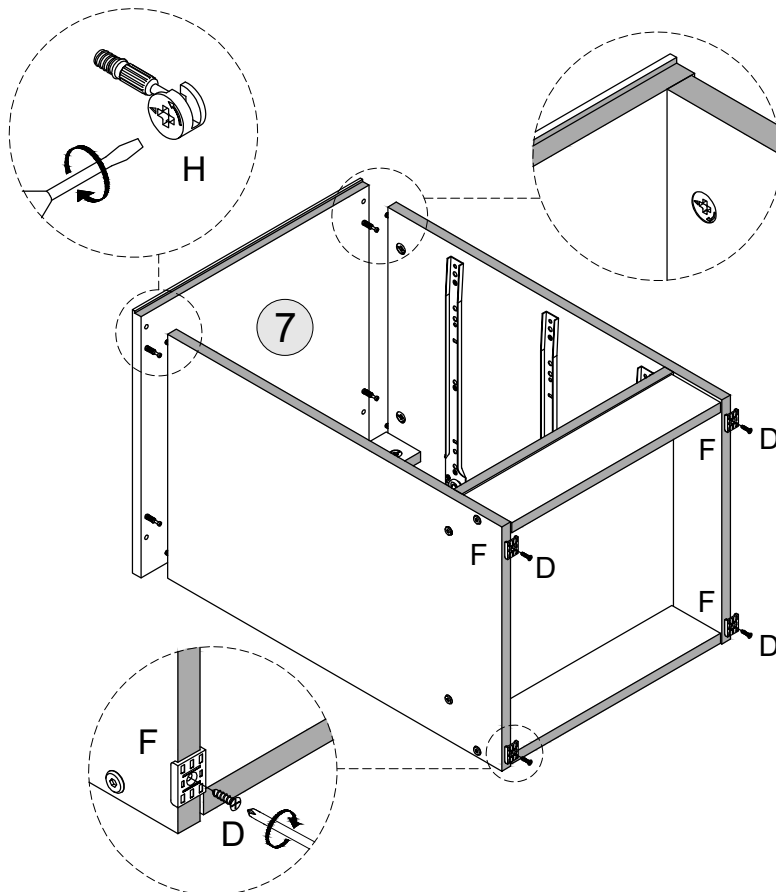
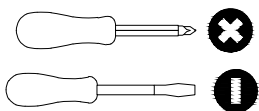


HARDWARE REQUIRED

D  04

F  04

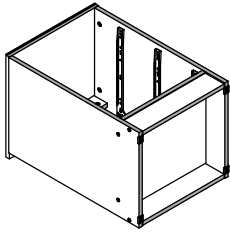
TOOLS REQUIRED



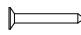
STEP 9

PARTS REQUIRED

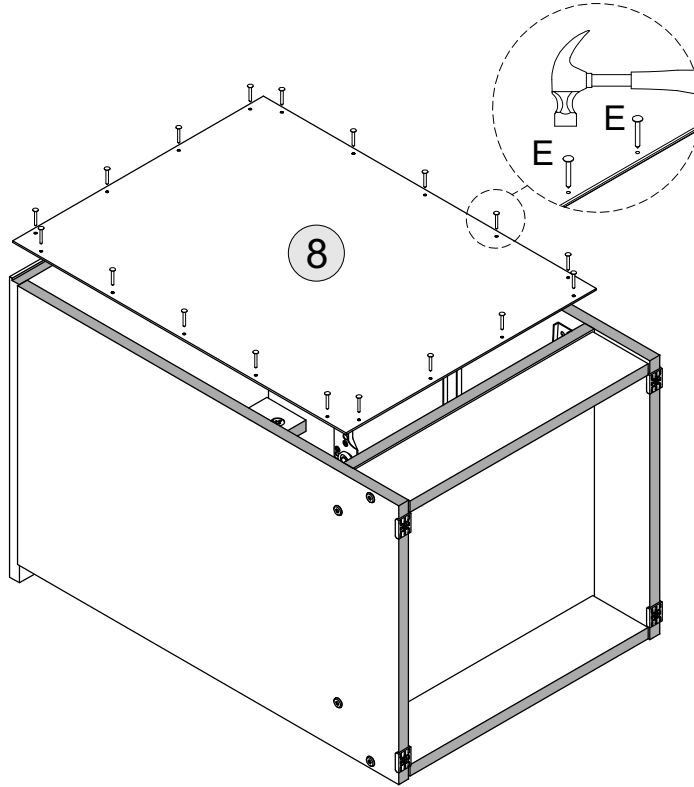
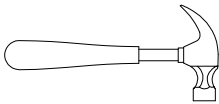
8 - BACK PANEL x1



HARDWARE REQUIRED

E  18

TOOLS REQUIRED



STEP 10

PARTS REQUIRED

9 - DRAWER BACK x3

10 - DRAWER SIDE-LEFT x3

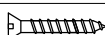
11 - DRAWER SIDE-RIGHT x3

12 - DRAWER FRONT x3

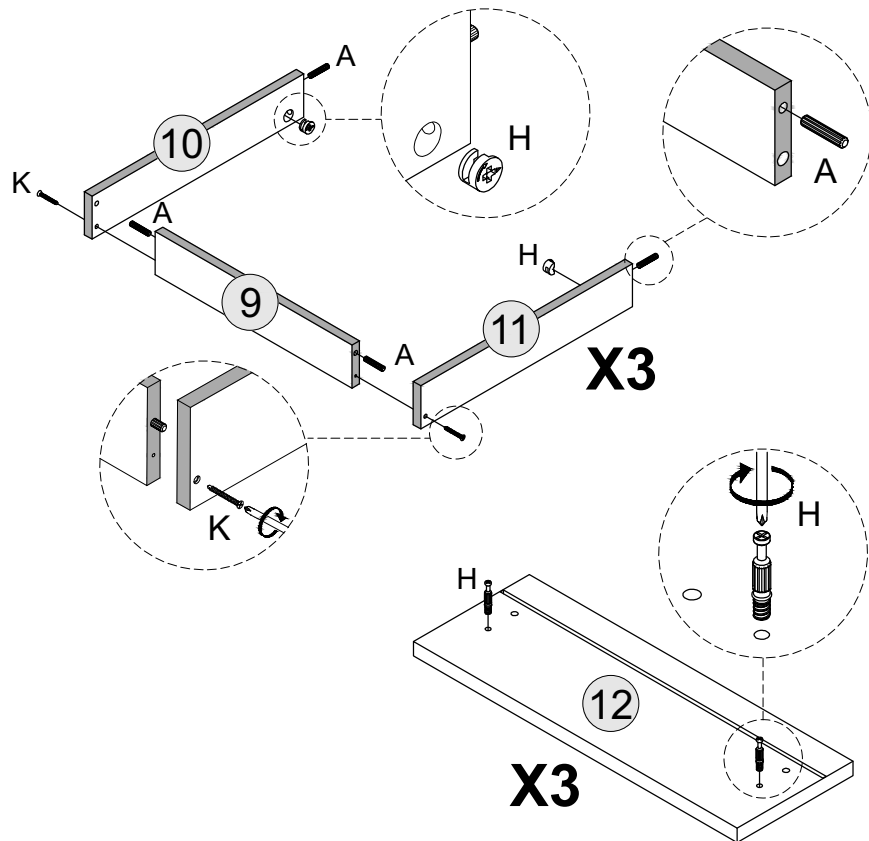
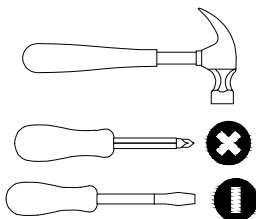
HARDWARE REQUIRED

A  12

H  06

K  06

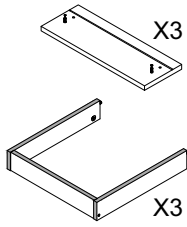
TOOLS REQUIRED



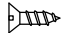
STEP 11

PARTS REQUIRED

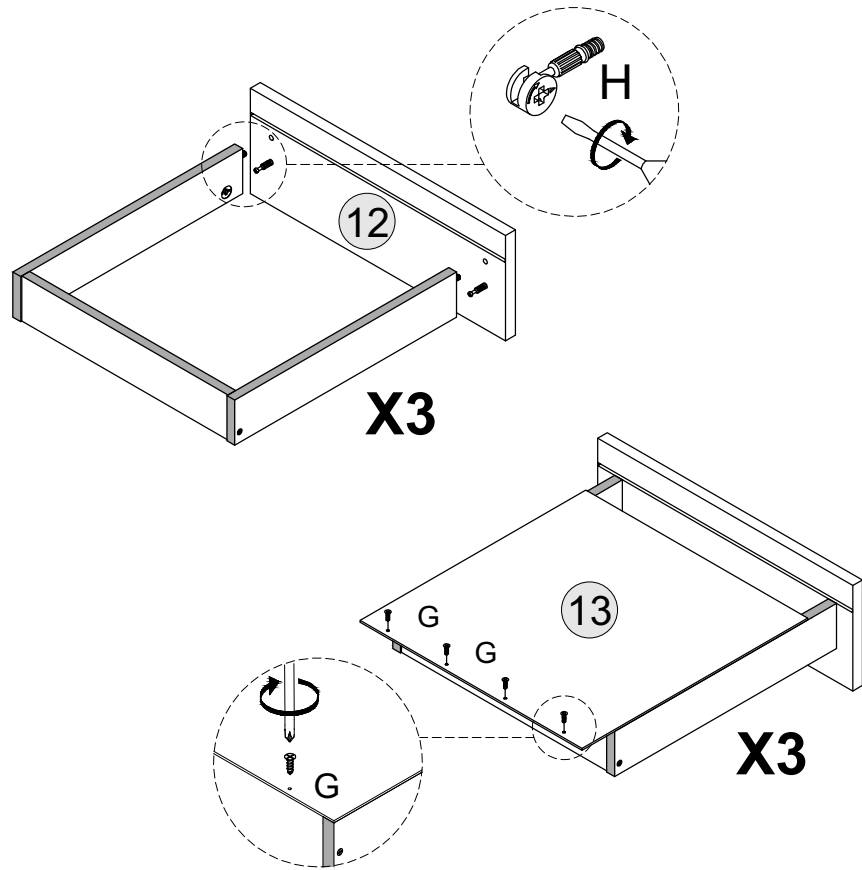
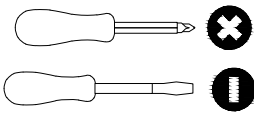
13 - DRAWER BASE x3



HARDWARE REQUIRED

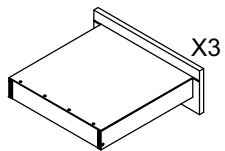
G  12

TOOLS REQUIRED




STEP 12

PARTS REQUIRED

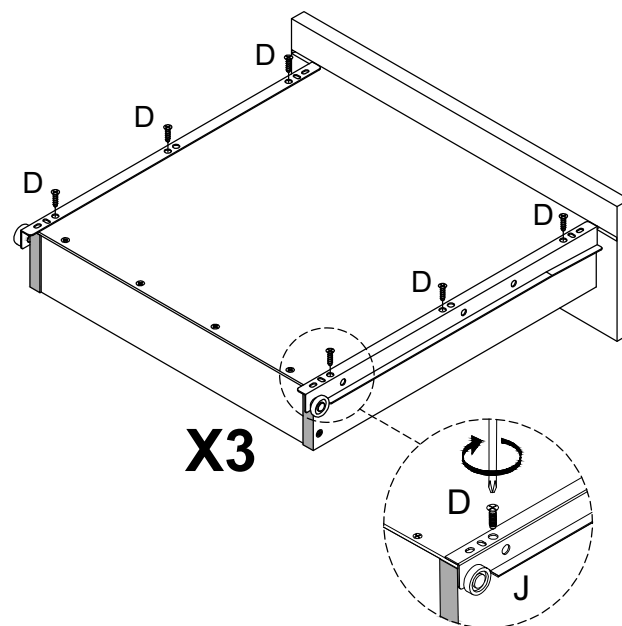
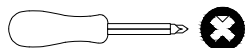


HARDWARE REQUIRED

D  18

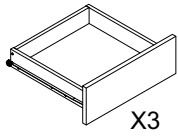
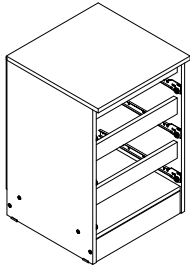
J  06

TOOLS REQUIRED



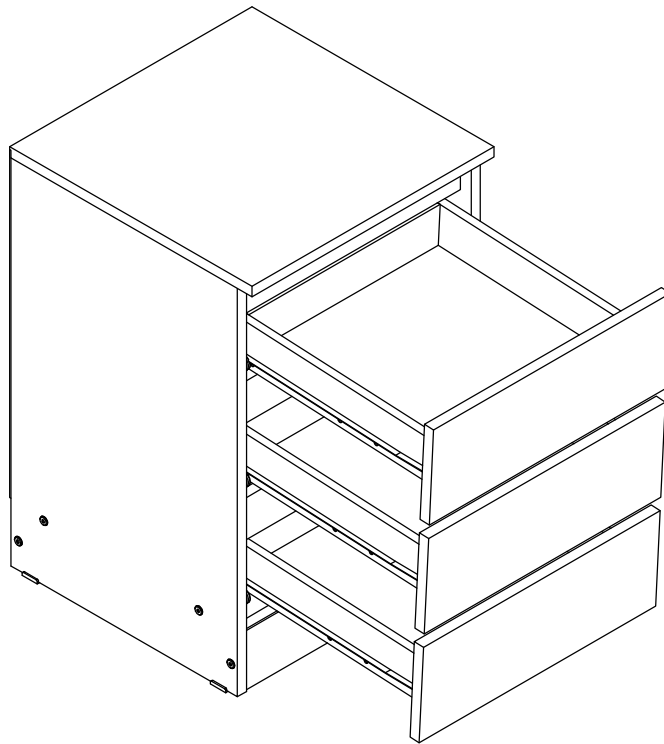
STEP 13

PARTS REQUIRED



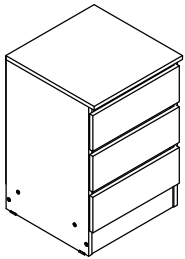
HARDWARE REQUIRED

TOOLS REQUIRED



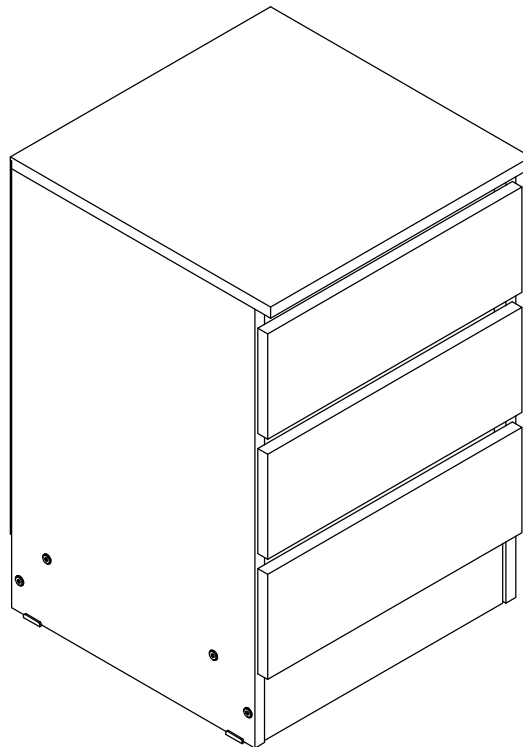
STEP 14

PARTS REQUIRED



HARDWARE REQUIRED

TOOLS REQUIRED



INFORMATIONS IMPORTANTES (FRENCH)

IMPORTANTE POUR USAGE DOMESTIQUE UNIQUEMENT VEUILLEZ LIRE AVANT DE CONTINUER

Le produit que vous avez acheté vous offrira de nombreuses années de service si vous suivez les directives pour son assemblage sûr et son entretien et nettoyage périodiques.

Assemblez sur une surface douce et propre.

N'utilisez aucun autre outil que ceux illustrés.

Toutes les clés ou clés Allen nécessaires sont fournies avec le kit de fixation.

N'utilisez en aucun cas un outil électrique pour assembler ce produit.

Son utilisation invalidera toute réclamation que vous pourriez avoir et pourrait rendre ce produit dangereux.

Selon la quantité d'utilisation de ce produit, il peut être nécessaire de resserrer les fixations de temps en temps. Cela est tout à fait normal pour tout meuble en kit. Ne serrez pas trop les fixations.

Pour le nettoyage, vous pouvez utiliser un chiffon humide (pas mouillé).

N'utilisez pas de produits de polissage, de détergent ou de nettoyeurs chimiques.

La surface de cet article n'est pas résistante à la chaleur. Utilisez toujours un set de table sous les articles chauds ou froids pour éviter les marques.

ADVERTENCIA (ANTI-BASCULEMENT)

Des blessures graves, voire mortelles, peuvent survenir en cas de basculement d'un meuble. Pour éviter que le meuble ne bascule, nous recommandons de le fixer de manière permanente au mur.

Les fixations murales ne sont pas fournies avec ce produit, car les différents matériaux de mur nécessitent différents types de dispositifs de fixation. Veuillez vous assurer d'utiliser des fixations adaptées aux murs de votre maison. Veuillez vous référer à la dernière page.

INFORMACIÓN IMPORTANTE (SPANISH)

IMPORTANTE SOLO PARA USO DOMÉSTICO LEER ANTES DE CONTINUAR

El producto que ha adquirido le brindará muchos años de servicio si sigue las pautas para su montaje seguro y su mantenimiento y limpieza periódicos.

Ensamble sobre una superficie suave y limpia.

No utilice herramientas distintas a las que se muestran.

Las llaves inglesas o llaves Allen necesarias se incluyen con el kit de accesorios.

No utilice bajo ningún concepto una herramienta eléctrica para ensamblar este producto. Su uso invalidará cualquier reclamo que pueda tener y podría hacer que este producto sea inseguro.

Dependiendo de la cantidad de uso que reciba este producto, puede ser necesario apretar las fijaciones de vez en cuando. Esto es completamente normal para cualquier mueble en paquete plano. No apriete demasiado las fijaciones.

Para la limpieza, puede utilizar un paño húmedo (no mojado). No utilice abrillantadores, detergentes ni limpiadores químicos.

La superficie de este artículo no es resistente al calor. Utilice siempre un mantel individual debajo de los elementos calientes o fríos para evitar marcarlos.

ADVERTENCIA (ANTI-VUELCO)

El vuelco de los muebles puede provocar lesiones graves o fatales. Para evitar que los muebles se vuelquen, recomendamos fijarlos permanentemente a la pared.

Este producto no incluye fijaciones de pared, ya que los distintos materiales de pared requieren distintos tipos de dispositivos de fijación. Asegúrese de utilizar fijaciones adecuadas para las paredes de su hogar. Veuillez vous référer à la dernière page.

WICHTIGE INFORMATIONEN (GERMAN)

WICHTIG FÜR DEN HAUSHALTSGEBRAUCH BITTE LESEN SIE, BEVOR SIE FORTFAHREN

Das von Ihnen gekaufte Produkt wird Ihnen viele Jahre lang gute Dienste leisten, wenn Sie die Richtlinien für eine sichere Montage und regelmäßige Wartung und Reinigung befolgen.

Montieren Sie es auf einer weichen, sauberen Oberfläche.

Verwenden Sie keine anderen Werkzeuge als die abgebildeten.

Erforderliche Schraubenschlüssel oder Inbusschlüssel sind im Montagesatz enthalten.

Verwenden Sie unter keinen Umständen ein Elektrowerkzeug zur Montage dieses Produkts. Bei Verwendung erlöschen alle Ansprüche, die Sie haben, und das Produkt kann unsicher werden.

Je nachdem, wie häufig dieses Produkt verwendet wird, kann es erforderlich sein, die Befestigungen von Zeit zu Zeit festzuziehen. Dies ist bei Möbeln aus dem Bausatz völlig normal. Ziehen Sie die Befestigungen nicht zu fest an.

Zum Reinigen können Sie ein feuchtes Tuch verwenden (nicht nass).

Verwenden Sie keine Politur, kein Reinigungsmittel oder chemische Reiniger.

Die Oberfläche dieses Artikels ist nicht hitzebeständig. Verwenden Sie immer eine Unterlage unter heißen oder kalten Gegenständen, um Flecken zu vermeiden.

WARNUNG (KIPPSCHUTZ)

Durch das Umkippen von Möbeln können schwere oder tödliche Verletzungen entstehen. Um ein Umkippen der Möbel zu verhindern, empfehlen wir, diese dauerhaft an der Wand zu befestigen.

Wandbefestigungen werden nicht mit diesem Produkt mitgeliefert, da unterschiedliche Wandmaterialien unterschiedliche Arten von Befestigungsvorrichtungen erfordern. Bitte stellen Sie sicher, dass Sie Befestigungsvorrichtungen verwenden, die für die Wände in Ihrem Zuhause geeignet sind. Bitte beachten Sie die letzte Seite.

INFORMAZIONI IMPORTANTI (ITALIAN)

IMPORTANTE, SOLO PER USO DOMESTICO SI PREGA DI LEGGERE PRIMA DI CONTINUARE OLTRE

Il prodotto che hai acquistato ti garantirà molti anni di servizio se segui le linee guida per il suo montaggio sicuro e periodico manutenzione e pulizia.

Montare su una superficie morbida e pulita.

Non utilizzare strumenti diversi da quelli mostrati.

Eventuali chiavi e chiavi a brugola necessarie sono incluse nel kit di raccordi.

Non utilizzare per nessun motivo un utensile elettrico per assemblare questo prodotto. Suo l'uso invaliderà qualsiasi reclamo tu possa avere e potresti avanzare su questo prodotto pericoloso.

A seconda della quantità di utilizzo che questo prodotto riceve, potrebbe essere necessario stringere di tanto in tanto i fissaggi.

Questo è completamente

normalmente per qualsiasi mobile flat pack. Non stringere eccessivamente il fissaggio.

Per la pulizia è possibile utilizzare un panno umido (non bagnato).

Non usare smalti, detersivi o detergenti chimici.

La superficie di questo articolo non è resistente al calore. Usa sempre una tovaglietta sotto oggetti caldi o freddi per evitare segni.

AVVERTIMENTO (ANTIRIBALTAMENTO)

Il ribaltamento dei mobili può provocare lesioni gravi e mortali. A evitare che i mobili si ribaltino, si consiglia di farlo fissato permanentemente al muro.

I fissaggi a parete non sono forniti con questo prodotto in quanto parete diversa i materiali richiedono diversi tipi di dispositivi di fissaggio. Per favore, fallo assicurati di utilizzare fissaggi adatti alle pareti della tua casa. Si prega di fare riferimento all'ultima pagina.