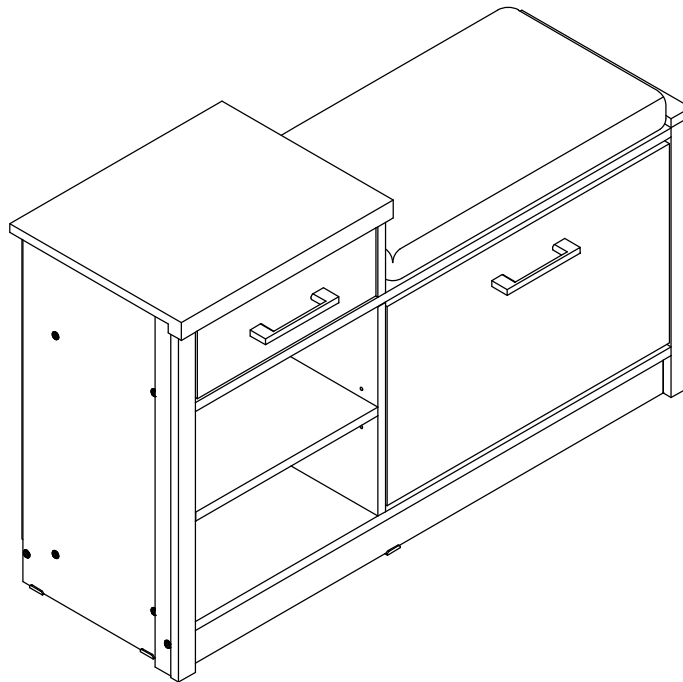
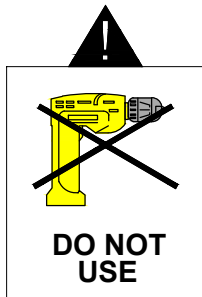


BLACK WOOD GRAIN LISBON MINI SHOE RACK / STORAGE SEAT ASSEMBLY INSTRUCTIONS



IMPORTANT

PLEASE READ BEFORE YOU CONTINUE FURTHER FOR DOMESTIC USE ONLY

THE PRODUCT YOU HAVE PURCHASED WILL GIVE YOU MANY YEARS OF SERVICE IF YOU FOLLOW THE GUIDELINES FOR ITS SAFE ASSEMBLY AND PERIODIC MAINTENANCE AND CLEANING.

ASSEMBLE ON A SOFT CLEAN SURFACE.

DO NOT USE ANY TOOLS OTHER THAN THOSE SHOWN.

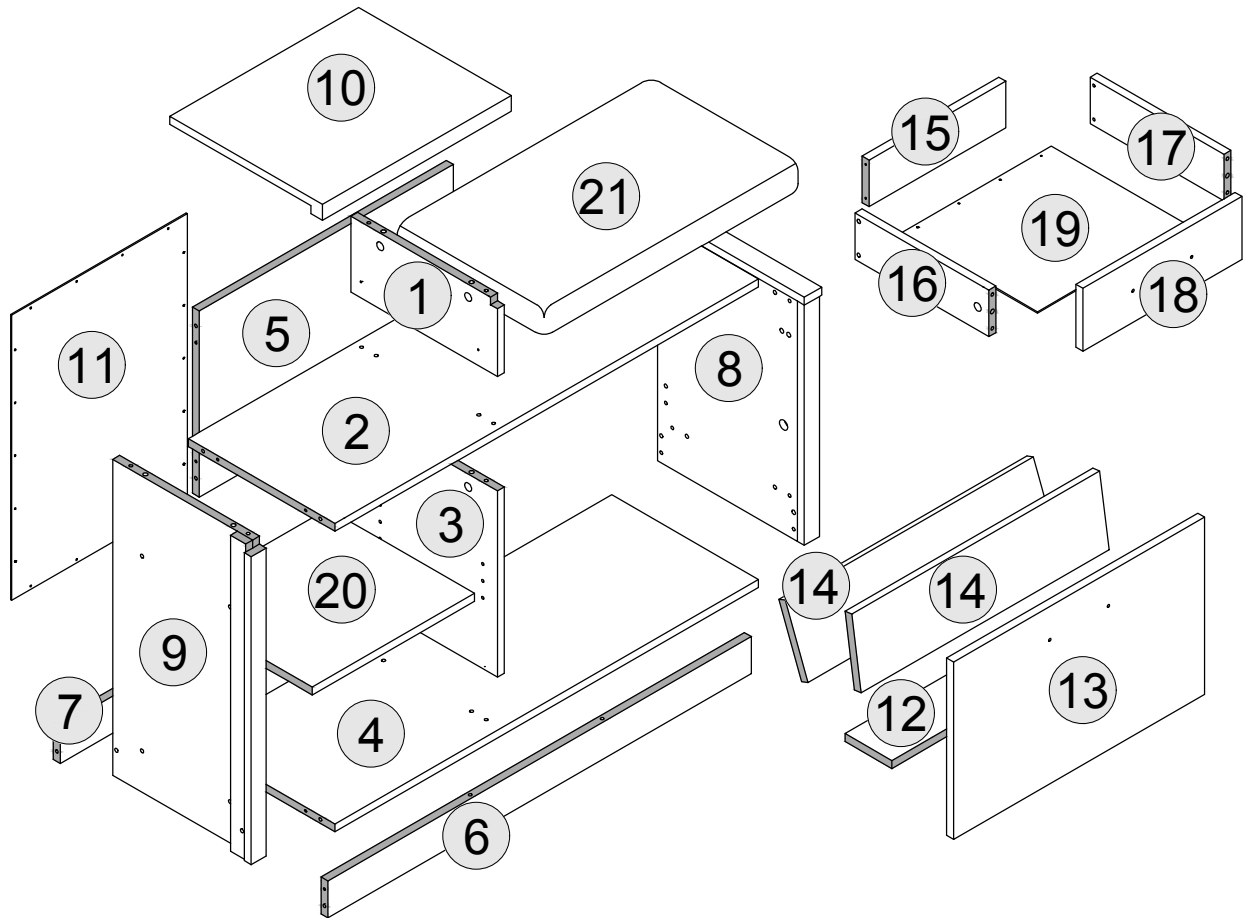
ANY SPANNERS OR ALLEN KEYS REQUIRED ARE INCLUDED WITH THE FITTINGS KIT.

DO NOT FOR ANY REASON USE A POWER TOOL TO ASSEMBLE THIS PRODUCT. ITS USE WILL INVALIDATE ANY CLAIM YOU MAY HAVE AND COULD MAKE THIS PRODUCT UNSAFE.

DEPENDING ON THE AMOUNT OF USE THIS PRODUCT RECEIVES IT MAY BE NECESSARY TO TIGHTEN UP THE FIXINGS FROM TIME TO TIME. THIS IS COMPLETELY NORMAL FOR ANY FLAT PACK FURNITURE. DO NOT OVERTIGHTEN FIXING.

FOR CLEANING, YOU MAY USE A DAMP CLOTH (NOT WET) DO NOT USE POLISH, DETERGENT OR CHEMICAL CLEANERS.


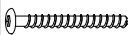
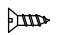
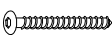





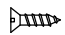
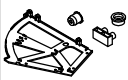

THE SURFACE OF THIS ITEM IS NOT HEAT RESISTANT. ALWAYS USE A PLACE MAT UNDER HOT OR COLD ITEMS TO PREVENT MARKING.

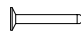
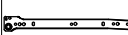


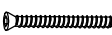
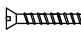




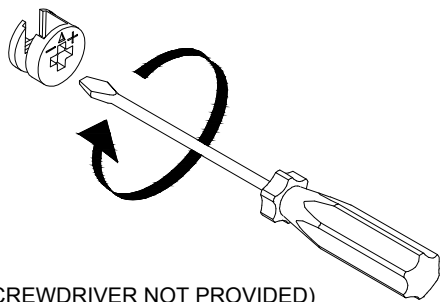
PART LIST

Part Number	Part Code	Part Description	Quantity	Carton
1	S100-120-019-EU1-01	Centre Panel - Small	1	1/1
2	S100-120-019-EU1-02	Middle Panel	1	1/1
3	S100-120-019-EU1-03	Centre Panel - Large	1	1/1
4	S100-120-019-EU1-04	Base Panel	1	1/1
5	S100-120-019-EU1-05	Back Panel I	1	1/1
6	S100-120-019-EU1-06	Base Front Apron	1	1/1
7	S100-120-019-EU1-07	Base Back Apron	1	1/1
8	S100-120-019-EU1-08	Right Side Panel	1	1/1
9	S100-120-019-EU1-09	Left Side Panel	1	1/1
10	S100-120-019-EU1-10	Top Panel	1	1/1
11	S100-120-019-EU1-11	Back Panel II	1	1/1
12	S100-120-019-EU1-12	Small Shelf - Shoe Cabinet	1	1/1
13	S100-120-019-EU1-13	Door - Shoe Cabinet	1	1/1
14	S100-120-019-EU1-14	Large Shelf - Shoe Cabinet	2	1/1
15	S100-120-019-EU1-15	Drawer Back	1	1/1
16	S100-120-019-EU1-16	Drawer Side - Left	1	1/1
17	S100-120-019-EU1-17	Drawer Side - Right	1	1/1
18	S100-120-019-EU1-18	Drawer Front	1	1/1
19	S100-120-019-EU1-19	Drawer Base	1	1/1
20	S100-120-019-EU1-20	Shelf Panel	1	1/1
21	S100-120-019-EU1-21	Cushion	1	1/1

HARDWARE LIST

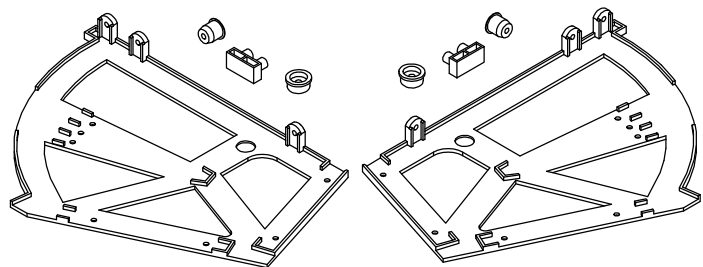
A		DOWEL 6 X 30MM	34 PCS
B		BOLT M7 X 60MM	2 PCS
C		SCREW M3.5 X 12MM	8 PCS
D		BOLT M6 X 50MM	14 PCS
E		PLASTIC FOOT	6 PCS
F		HANDLE	2 PCS
G		ALLEN KEY	1 PC
H		CAM BOLT+CAM NUT	8 SETS
I		HANDLE SCREW 19MM	4 PCS
J		SCREW M3.5 X 16MM	28 PCS
K		SHOE TRAY RACK	1 SET
L		TAPPING SCREW M4.5 X 12MM	2 PCS

M		TACK	22 PCS
N		DRAWER RUNNER A (L&R)	2 PCS
O		DRAWER RUNNER B (L&R)	2 PCS
P		SHELF SUPPORT	4 PCS
Q		SCREW M6 X 50MM	4 PCS
R		SCREW M4 X 38MM	4 PCS
S		ANTI - TIP STRAP	2 PCS
T		SCREW M4 X 16MM	2 PCS

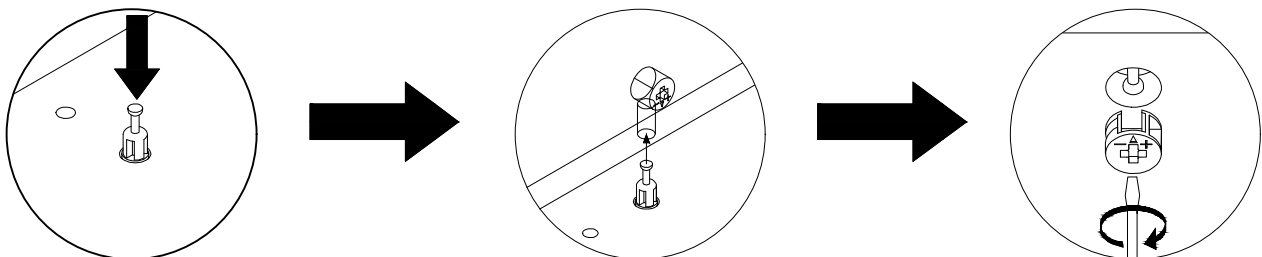


(SCREWDRIVER NOT PROVIDED)

PART OF SHOE RACK (K) HAVE 2 SIDE LEFT AND RIGHT



USE A FLAT HEAD SCREWDRIVER TO TIGHTEN THE CAM NUTS. A QUARTER TURN CLOCKWISE IS ALL THAT IS NEEDED.



STEP 1 - PUSH CAM BOLT INTO INSERT

STEP 2 - ALIGN THE CAM BOLT WITH THE HOLE AND PUSH TOGETHER UNTIL FLUSH. (MAKE SURE THE ARROW OF THE CAM LOCK IS POINTING TOWARD ON THE EDGE OF THE PANEL.)


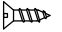

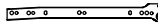
STEP 3 - THE HEAD OF THE BOLT GOES INTO THE WIDE MOUTH OF THE CAM LOCK. YOU THEN TURN THE LOCK SO THE NARROW PART CLOSES OVER THE BOLT.

STEP 1

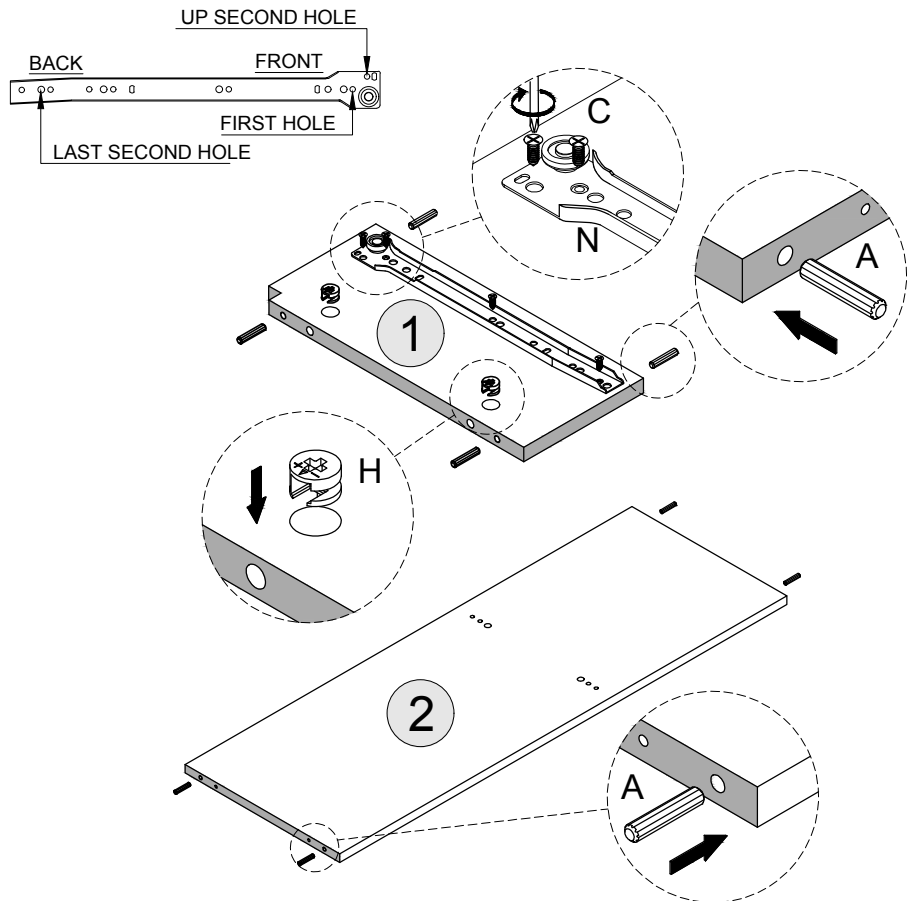
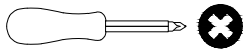
PARTS REQUIRED

1 - CENTRE PANEL - SMALL	x1
2 - MIDDLE PANEL	x1

HARDWARE REQUIRED

A		08
C		04
H		02
N		01

TOOLS REQUIRED







STEP 2

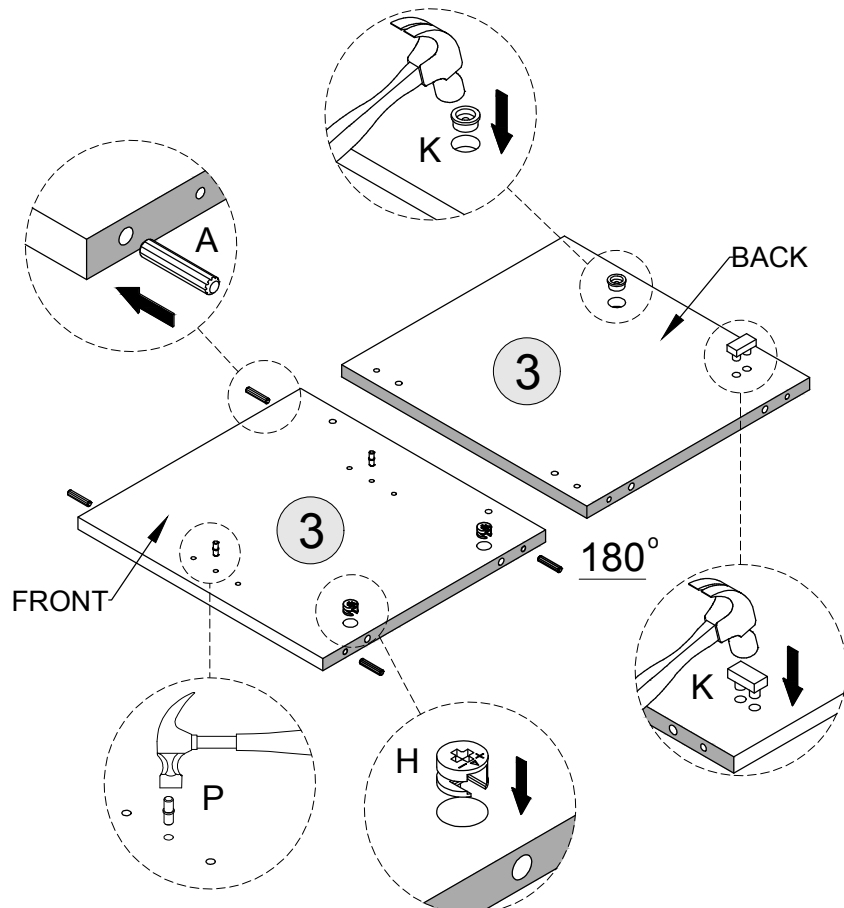
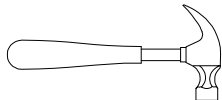
PARTS REQUIRED

3 - CENTRE PANEL - LARGE	x1
--------------------------	----

HARDWARE REQUIRED

A		04
H		02
K		01
P		02

TOOLS REQUIRED



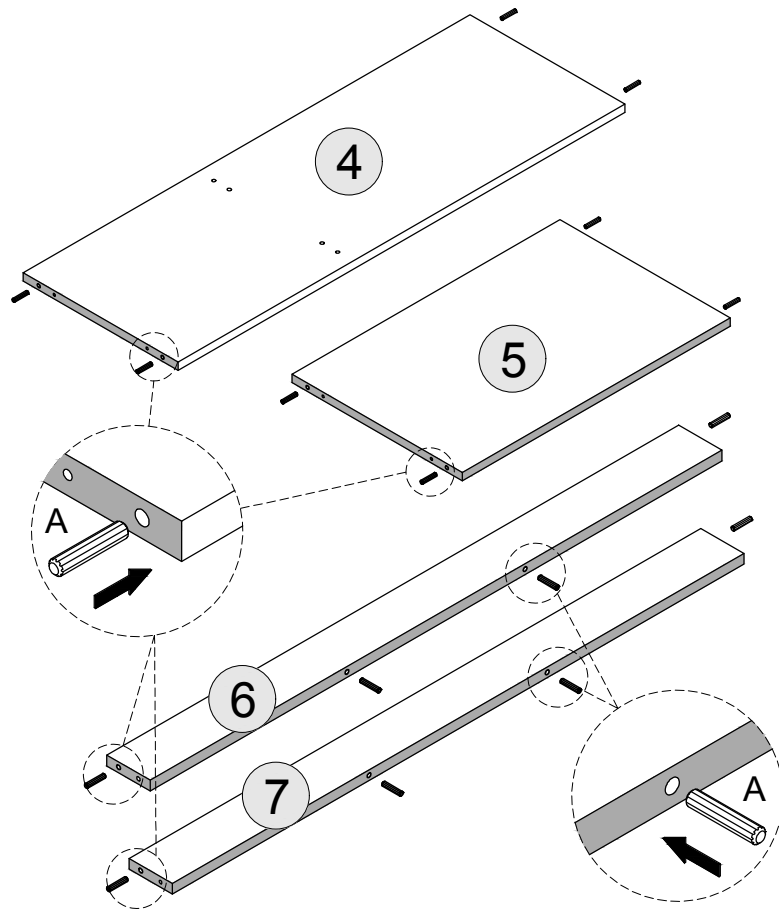
STEP 3

PARTS REQUIRED

4 - BASE PANEL	x1
5 - BACK PANEL I	x1
6 - BASE FRONT APRON	x1
7 - BASE BACK APRON	x1

HARDWARE REQUIRED

A		16
---	---	----





STEP 4

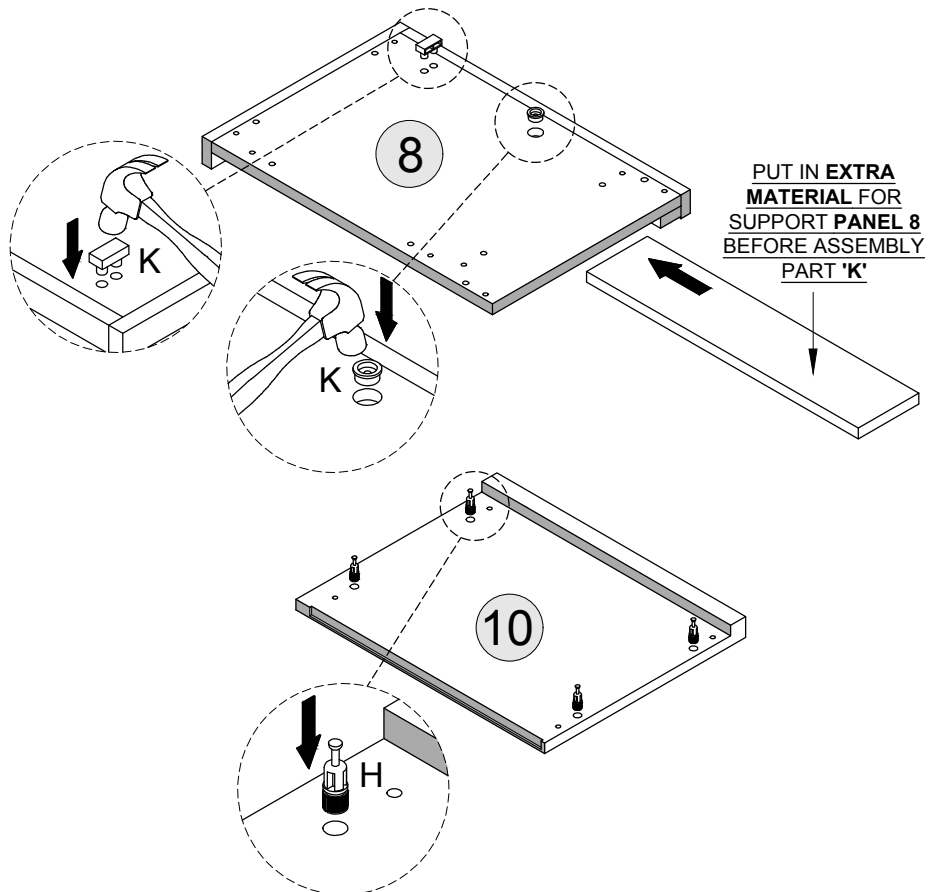
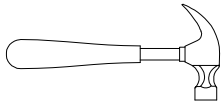
PARTS REQUIRED

8 - RIGHT SIDE PANEL	x1
10 - TOP PANEL	x1

HARDWARE REQUIRED

H		04
K		01

TOOLS REQUIRED



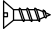
STEP 5

PARTS REQUIRED

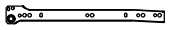
9 - LEFT SIDE PANEL x1

HARDWARE REQUIRED

A  02

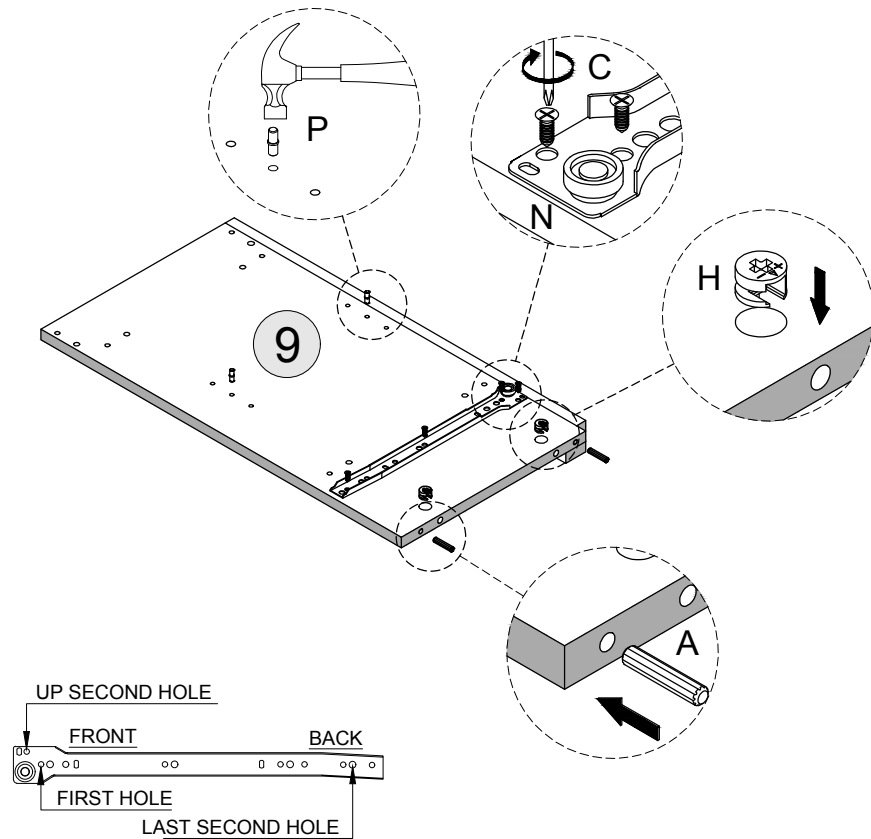
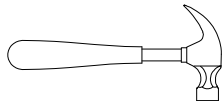
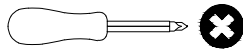
C  04

H  02

N  01

P  02

TOOLS REQUIRED



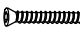
STEP 6

PARTS REQUIRED

1 - CENTRE PANEL - SMALL x1

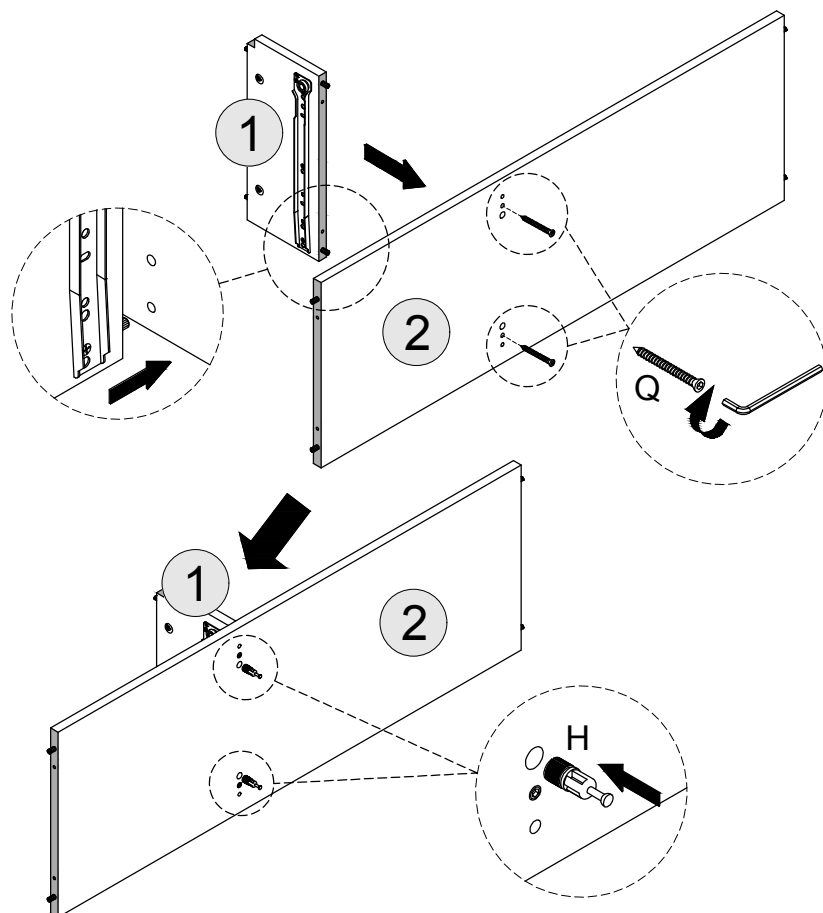
2 - MIDDLE PANEL x1

HARDWARE REQUIRED

Q  02

H  02

TOOLS REQUIRED



STEP 7

PARTS REQUIRED

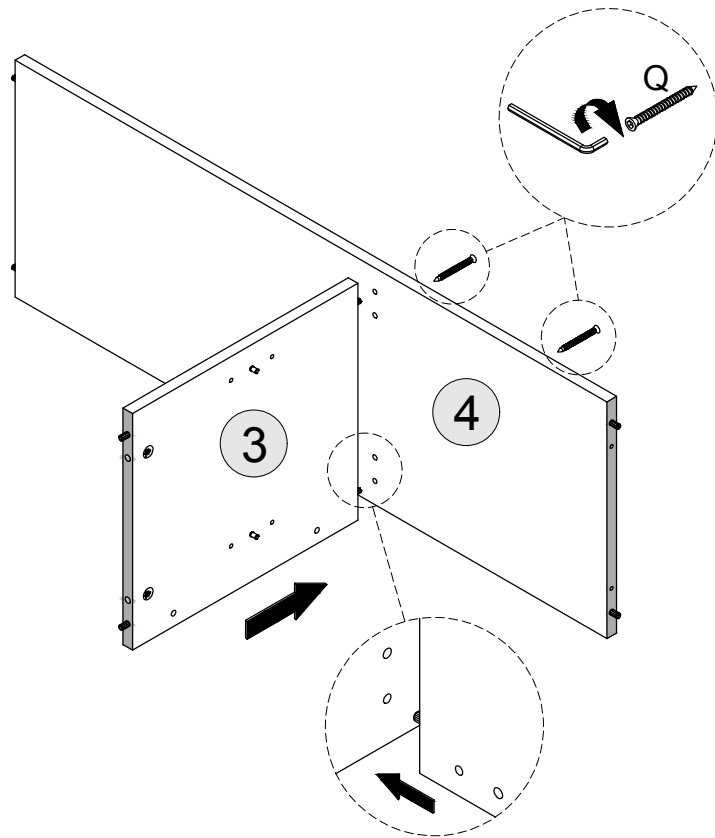
3 - CENTRE PANEL - LARGE x1

4 - BASE PANEL x1

HARDWARE REQUIRED

Q  02

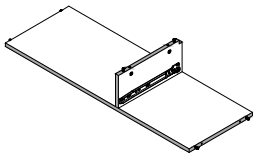
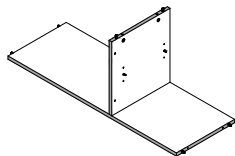
TOOLS REQUIRED



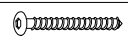
STEP 8

PARTS REQUIRED

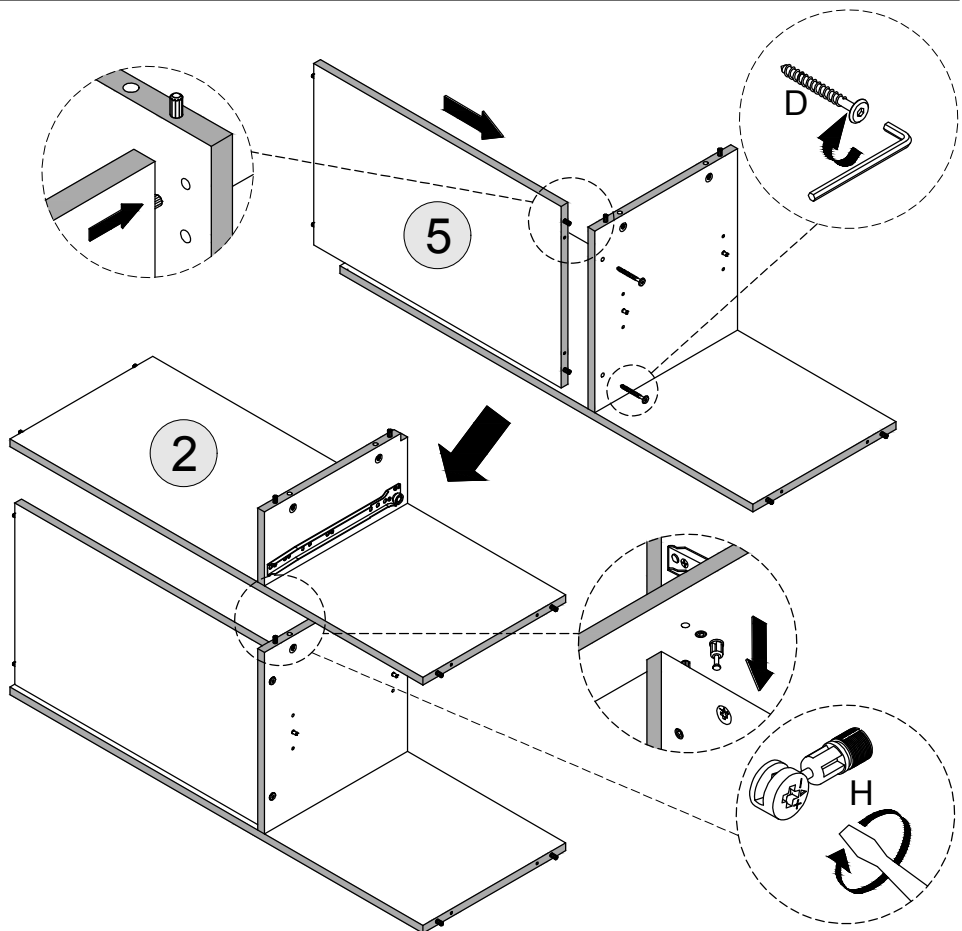
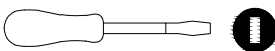
5 - BACK PANEL I x1



HARDWARE REQUIRED

D  02

TOOLS REQUIRED



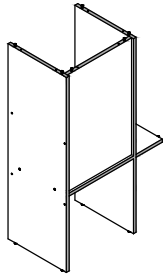
STEP 9

PARTS REQUIRED

6 - BASE FRONT APRON x1

7 - BASE BACK APRON x1

8 - RIGHT SIDE PANEL x1

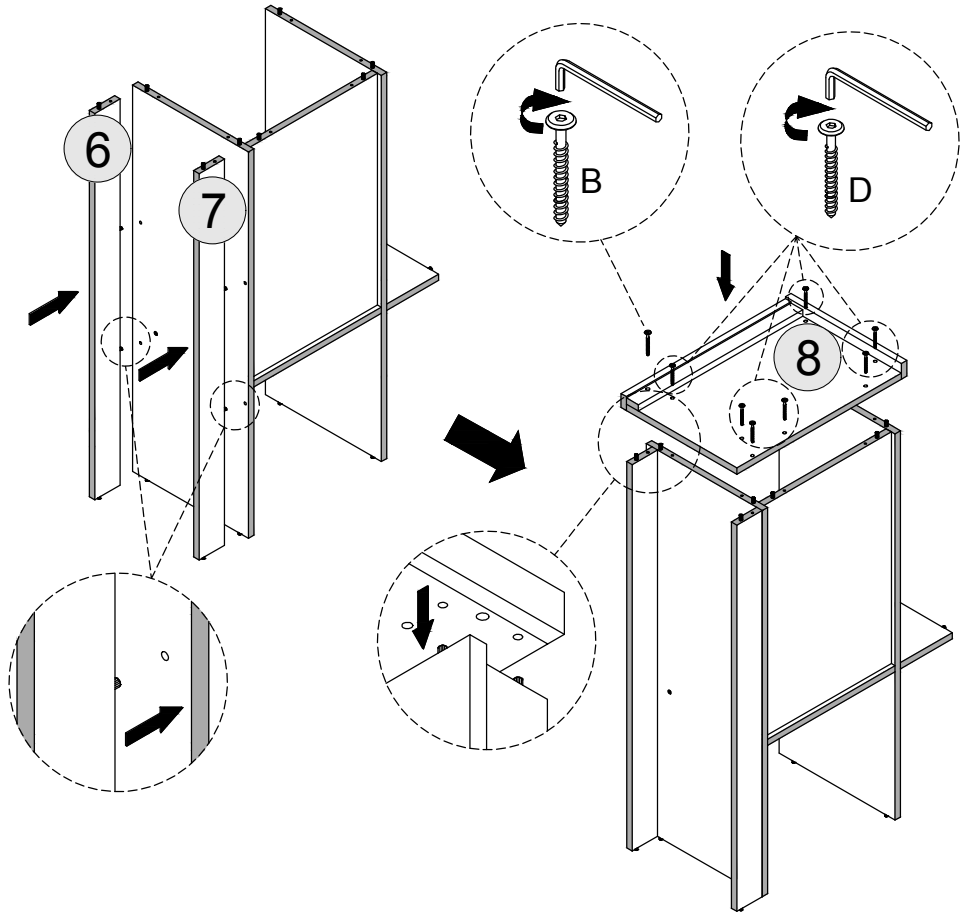


HARDWARE REQUIRED

B 01

D 07

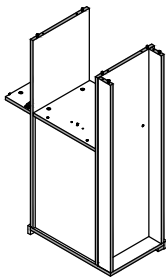
TOOLS REQUIRED



STEP 10

PARTS REQUIRED

9 - LEFT SIDE PANEL x1

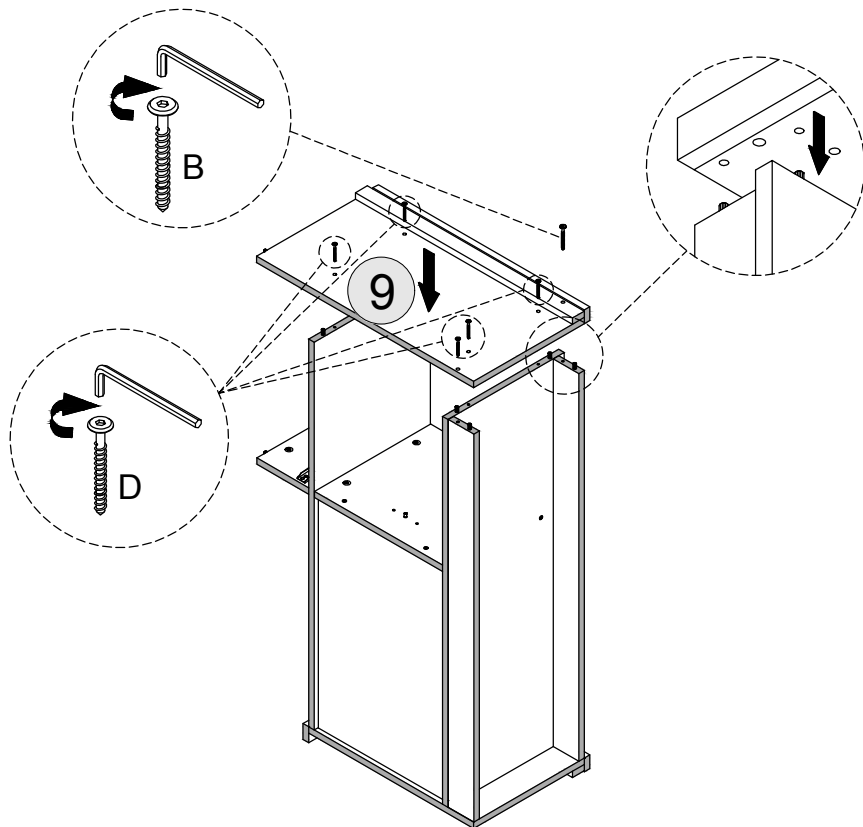


HARDWARE REQUIRED

B 01

D 05

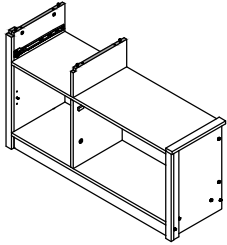
TOOLS REQUIRED



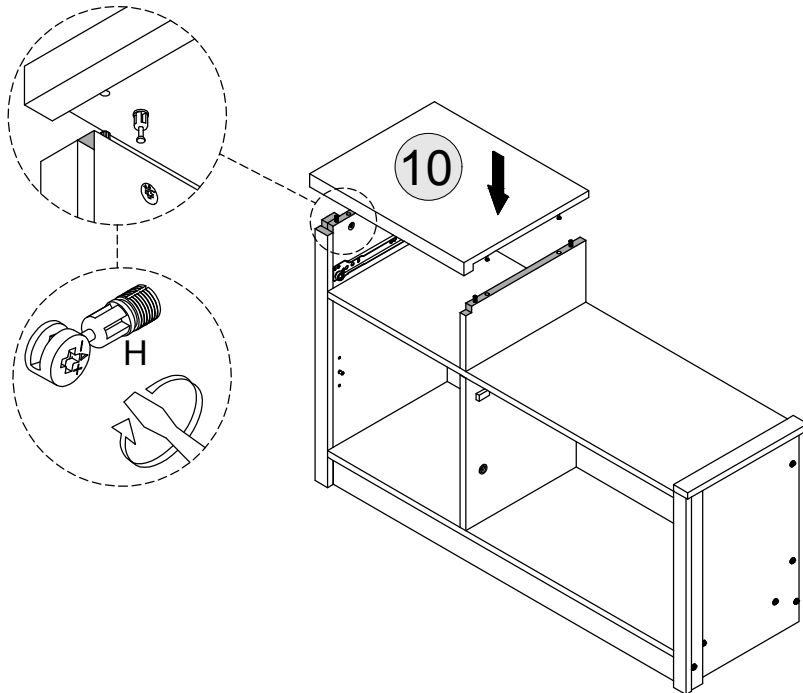
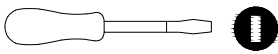
STEP 11

PARTS REQUIRED

10 - TOP PANEL x1



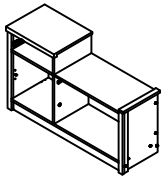
TOOLS REQUIRED



STEP 12

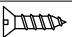
PARTS REQUIRED


11 - BACK PANEL II x1



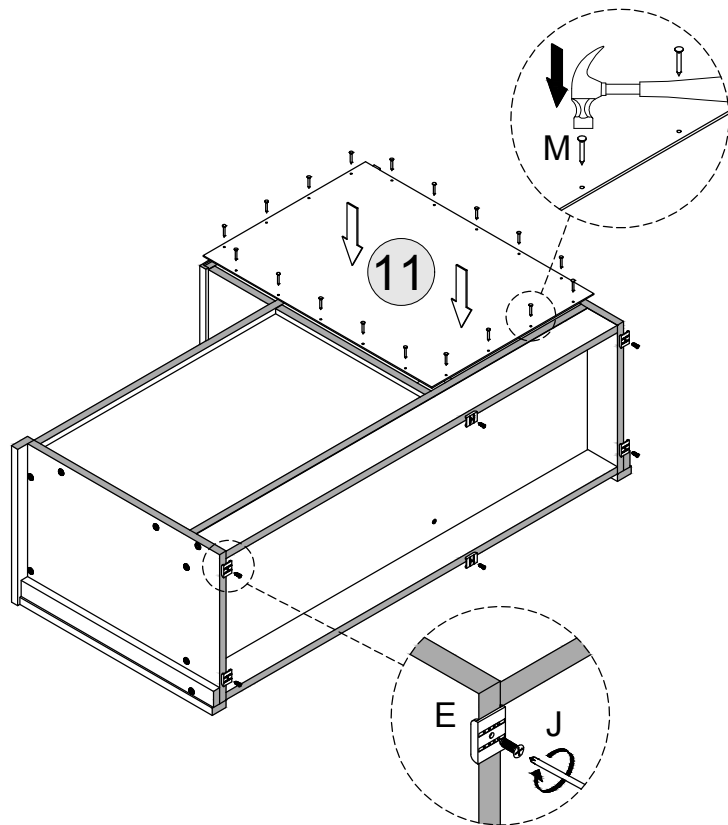
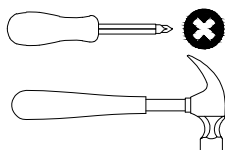
HARDWARE REQUIRED

E  06

J  06

M  18

TOOLS REQUIRED



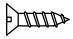
STEP 13

PARTS REQUIRED

12 - SMALL SHELF - SHOE CABINET x1

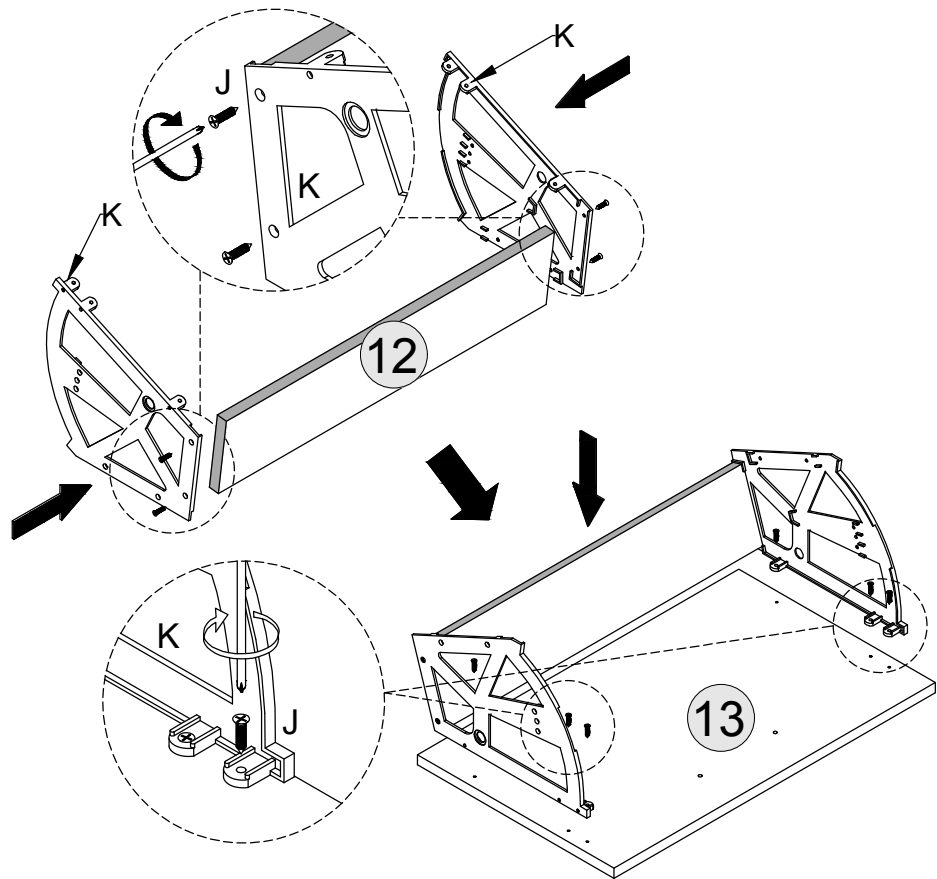
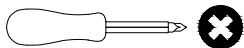
13 - DOOR - SHOE CABINET x1

HARDWARE REQUIRED

J  10

K  02

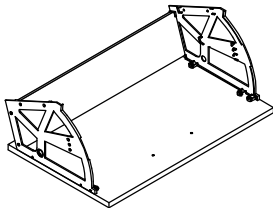
TOOLS REQUIRED



STEP 14

PARTS REQUIRED

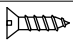
14 - LARGE SHELF - SHOE CABINET x1



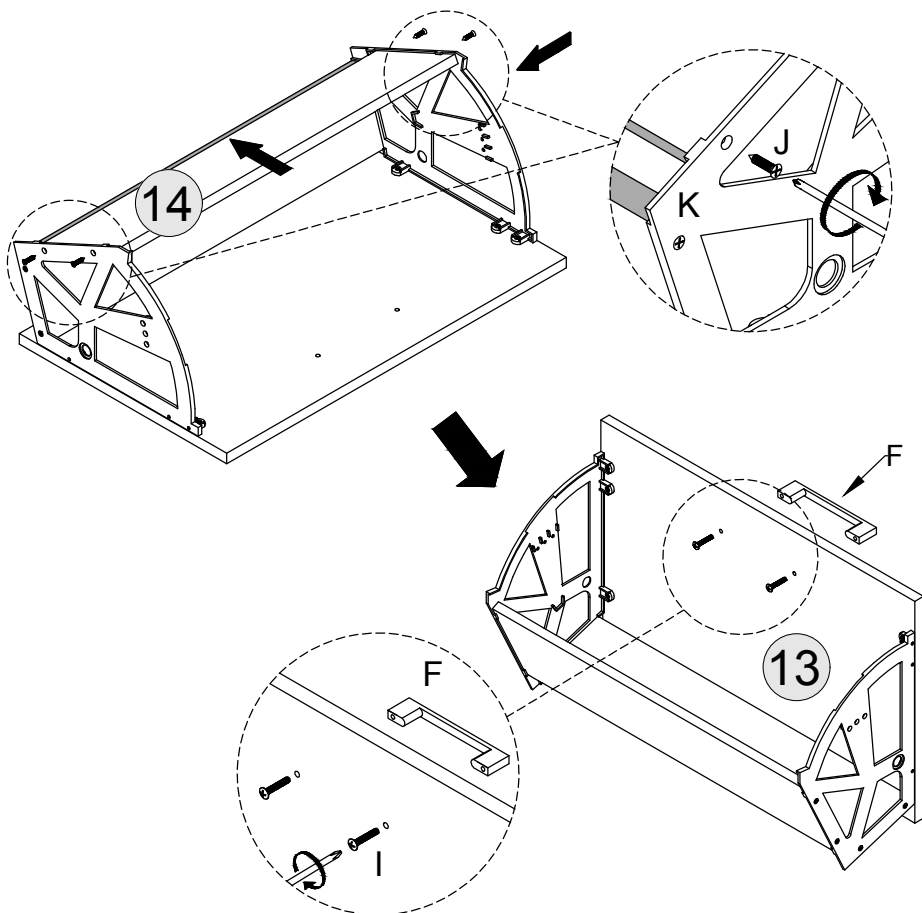
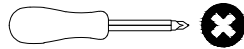
HARDWARE REQUIRED

F  01

I  02

J  04

TOOLS REQUIRED



STEP 15

PARTS REQUIRED

16 - DRAWER SIDE - LEFT x1

17 - DRAWER SIDE - RIGHT x1

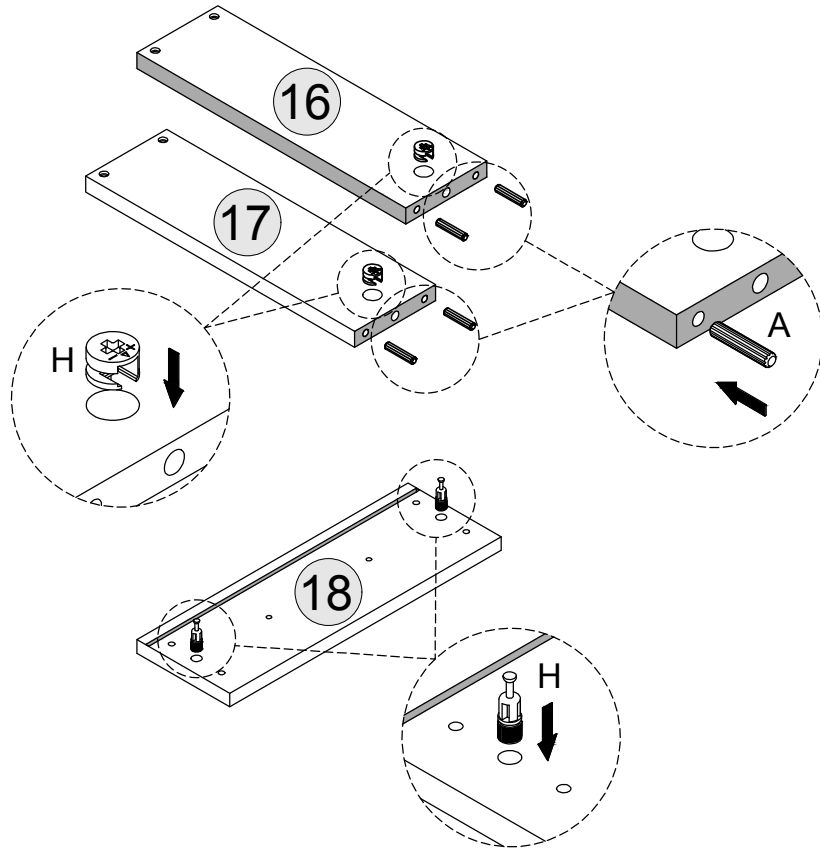
18 - DRAWER FRONT x1

HARDWARE REQUIRED

A  04

H  02

TOOLS REQUIRED



STEP 16

PARTS REQUIRED

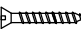
15 - DRAWER BACK x1

16 - DRAWER SIDE - LEFT x1

17 - DRAWER SIDE - RIGHT x1

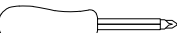
18 - DRAWER FRONT x1

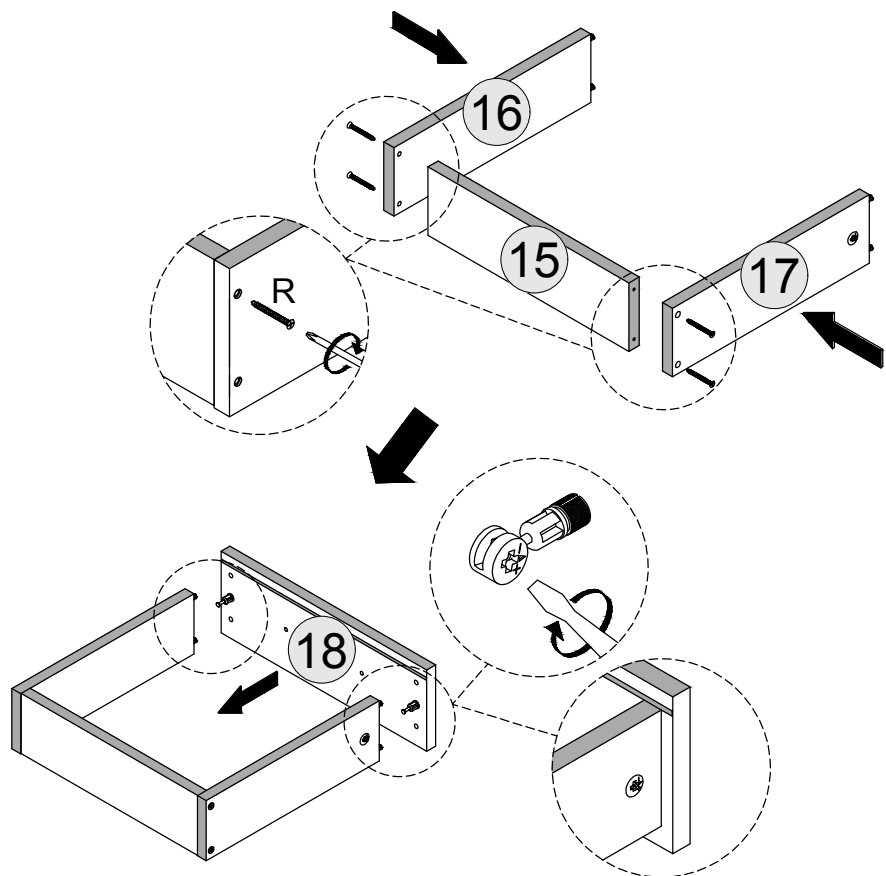
HARDWARE REQUIRED

R  04

TOOLS REQUIRED

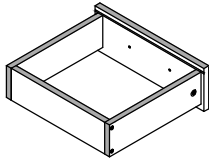
 



STEP 17

PARTS REQUIRED

19 - DRAWER BASE x1



HARDWARE REQUIRED

F 01

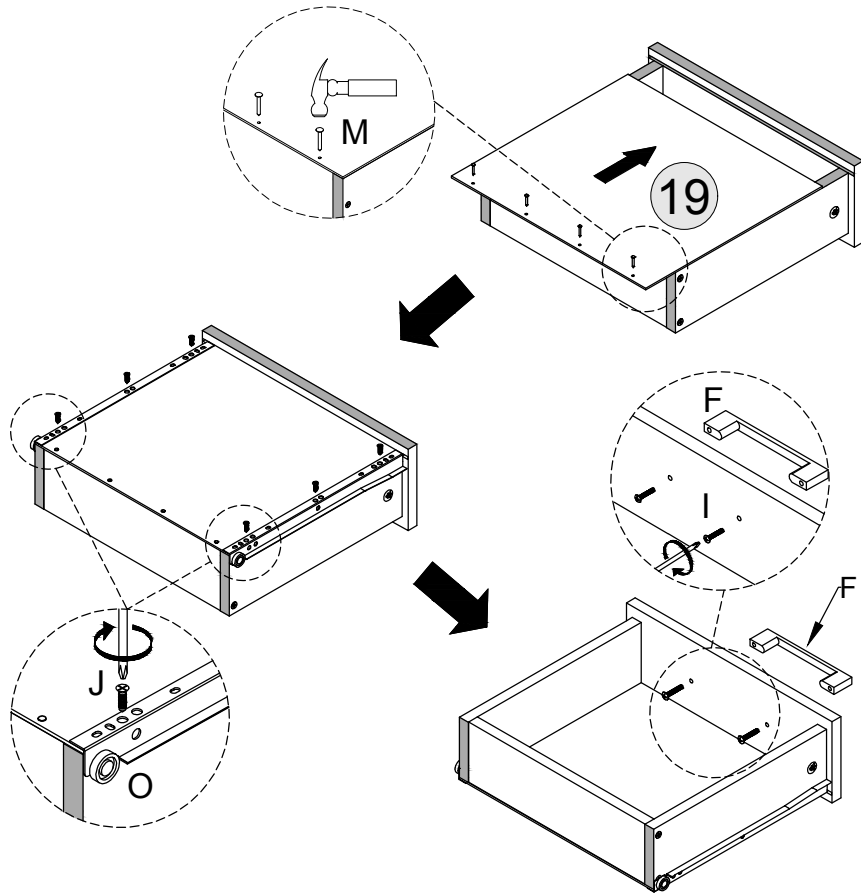
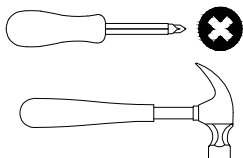
I 02

J 06

M 04

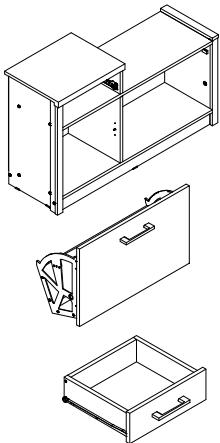
O 02

TOOLS REQUIRED



STEP 18

PARTS REQUIRED

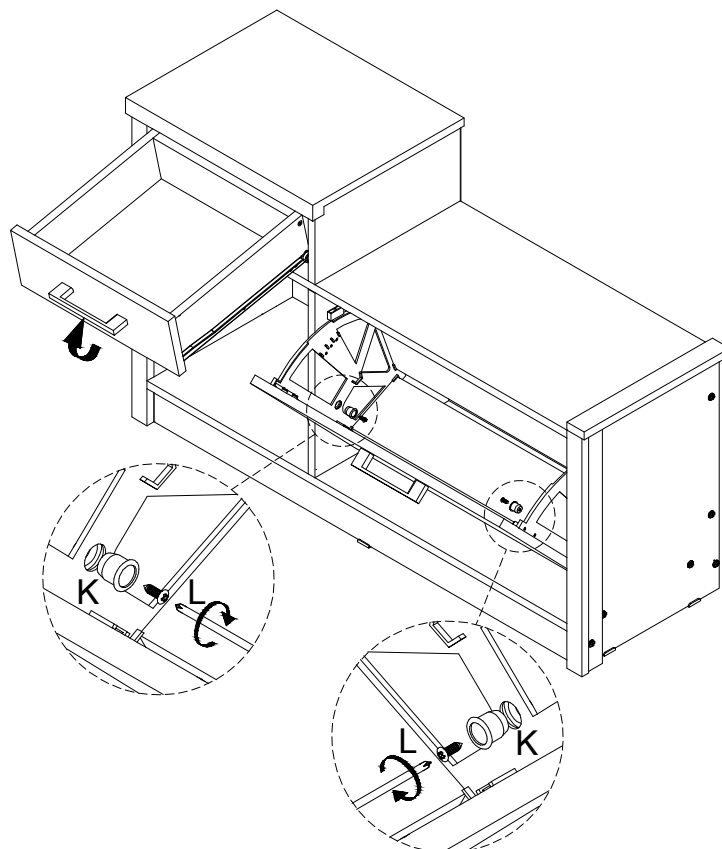


HARDWARE REQUIRED

K 02

L 02

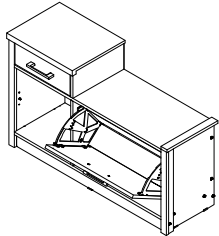
TOOLS REQUIRED



STEP 19

PARTS REQUIRED

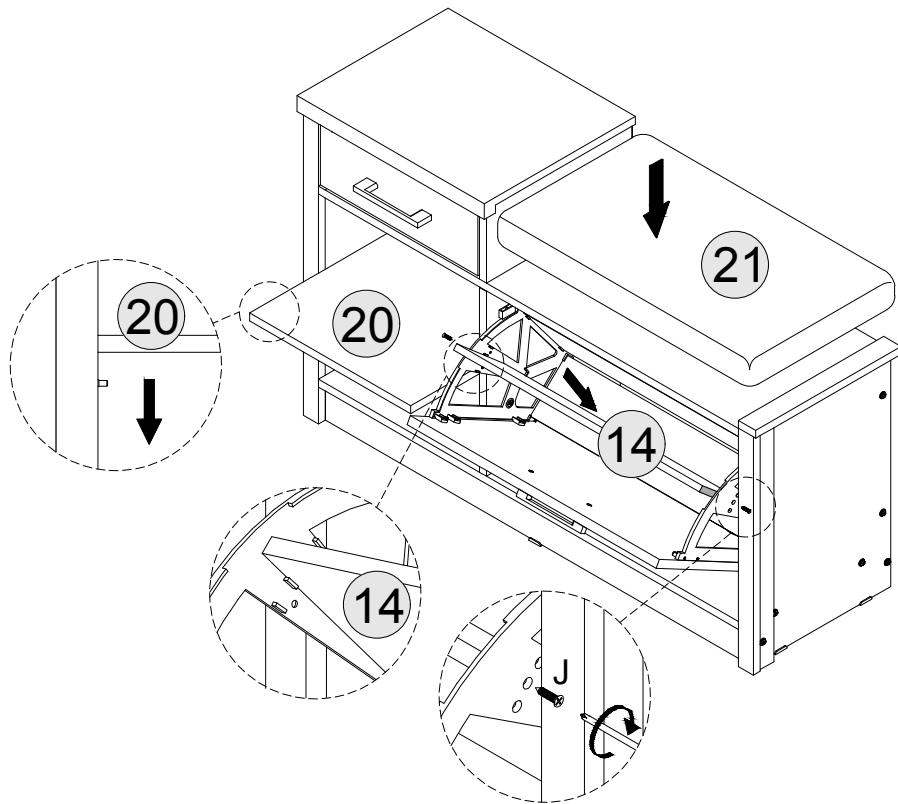
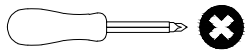
14 - LARGE SHELF - SHOE CABINET	x1
20 - SHELF PANEL	x1
21 - CUSHION	x1



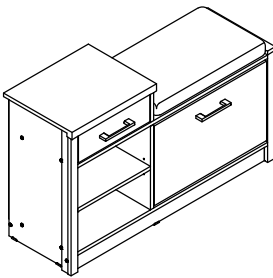
HARDWARE REQUIRED

J		02
---	--	----

TOOLS REQUIRED



STEP 20

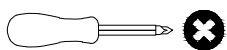


HARDWARE REQUIRED

S		02
---	--	----

T		02
---	--	----

TOOLS REQUIRED



WARNING

Serious or fatal injuries can occur from furniture tipping over. To prevent the furniture from tipping over we recommend that it is permanently fixed to the wall.

Wall fixings are not supplied with this product as different wall materials require different types of fixing devices. Please make sure you use fixings suitable for the walls in your home.

