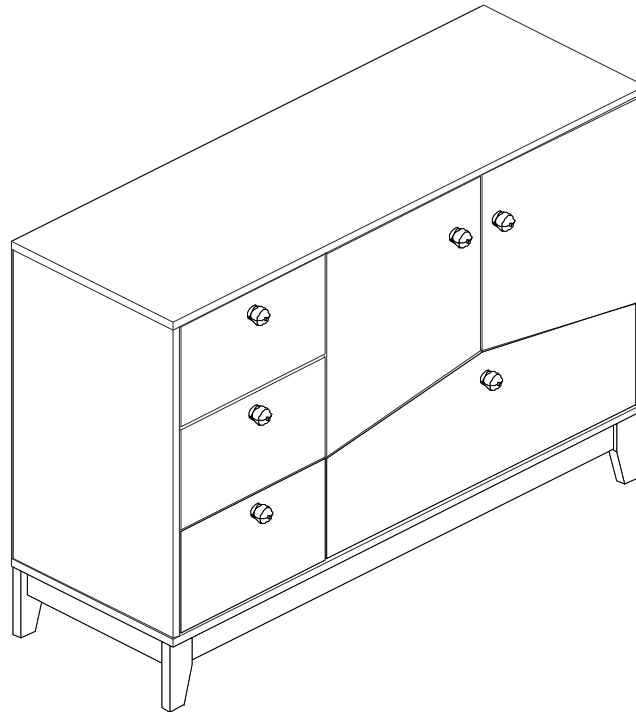


CODY 2 DOOR 4 DRAWER STORAGE UNIT ASSEMBLY INSTRUCTIONS WHITE/PINE EFFECT



IMPORTANT FOR DOMESTIC USE ONLY

PLEASE READ BEFORE YOU CONTINUE FURTHER

CARE AND MAINTENANCE

After unpacking this product please keep the original packaging in case it needs to be returned for any reason.

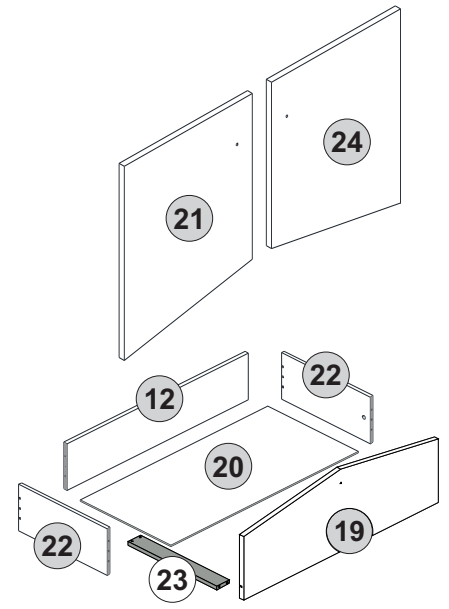
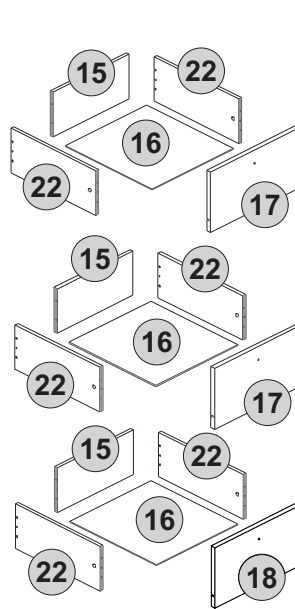
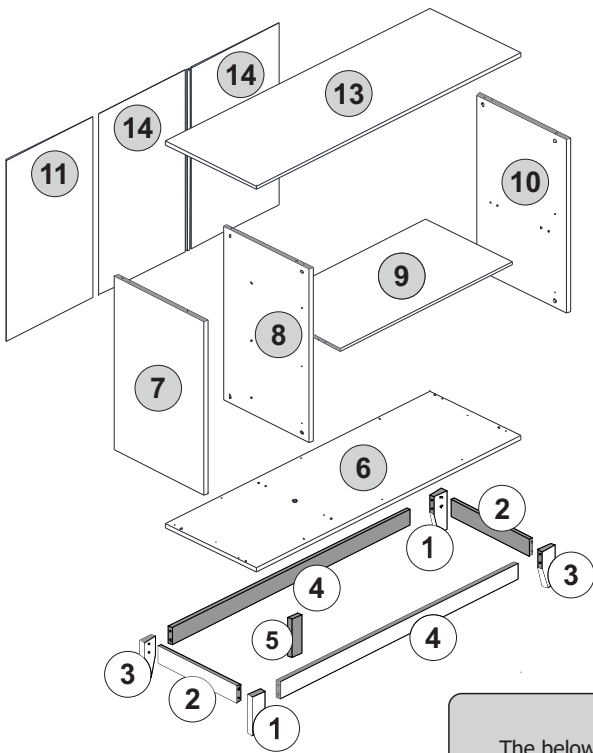
- Please ensure all fittings and parts are present before commencing with assembly.
- Never drag or push products as this could cause damage to the joints making it inferior.
- We strongly recommend that you keep children away from your work area.
- We recommend that you lay a blanket or sheet on the floor to avoid damage to both your floor and the product.
- Assemble this product as close to its final position as possible.
- Do not place this product next to a radiator or in direct sunlight.
- Do not drag or push items across your high gloss furniture as this may cause the surface to scratch
- Wood is a natural product and may expand if subjected to damp and may shrink or crack if subjected to heat. Therefore it is recommended that room temperature is maintained, with no sudden temperature fluctuations.
- Make sure any spillage is wiped off immediately.
- Do not place hot or chilled items directly on to the surface, use a place mat or marking will occur.
- For general cleaning use a soft cotton or micro fibre cloth, and do not use detergents of any kind.
- From time to time it may be necessary to tighten fittings, regular inspections should be carried out.
- Do not place on a wet or damp floor as staining may occur to your floor.



- * Use of power tools to assemble this product will invalidate any claim and could damage this product making it unsafe!!!
- * Please assemble on a clean soft surface to avoid damage.



- * Please check contents and read the instructions before commencing assembly.
- * Assemble this product following the enclosed instructions carefully.
- * Please take care to avoid damaging parts during assembly.











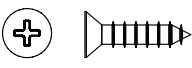

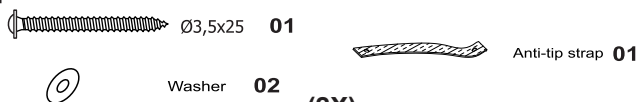





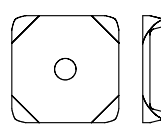
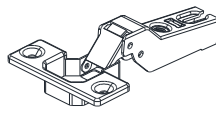
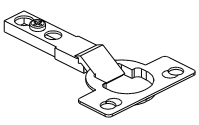
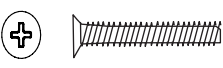
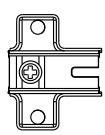
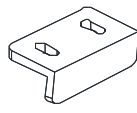


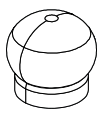
PART LIST

Please Note:

The below parts have all been stamped with the part number/color to help identify them during assembly.

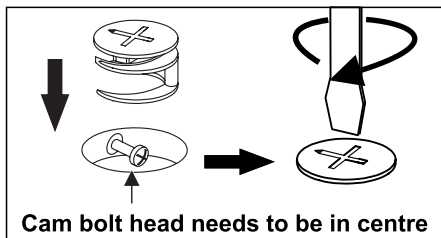
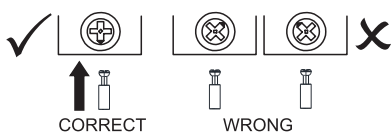
Part Number	Part Code	Part Description	Quantity	Carton
1	S100-120-021-DV1-01	Left Leg	2	2/2
2	S100-120-021-DV1-02	Leg Support Left & Right	2	1/2
3	S100-120-021-DV1-03	Right Leg	2	2/2
4	S100-120-021-DV1-04	Leg Support Front & Back	2	1/2
5	S100-120-021-DV1-05	Centre Foot	1	2/2
6	S100-120-021-DV1-06	Base Panel	1	1/2
7	S100-120-021-DV1-07	Left Side Panel	1	1/2
8	S100-120-021-DV1-08	Division Panel	1	1/2
9	S100-120-021-DV1-09	Shelf	1	2/2
10	S100-120-021-DV1-10	Right Side Panel	1	1/2
11	S100-120-021-DV1-11	Left Back Panel	1	2/2
12	S100-120-021-DV1-12	Drawer Back (Large)	1	2/2
13	S100-120-021-DV1-13	Top Panel	1	1/2
14	S100-120-021-DV1-14	Right Back Panel	2	2/2
15	S100-120-021-DV1-15	Drawer Back (Small)	3	1/2
16	S100-120-021-DV1-16	Drawer Base	3	2/2
17	S100-120-021-DV1-17	Drawer Front White (Small)	2	1/2
18	S100-120-021-DV1-18	Drawer Front Pine (Small)	1	1/2
19	S100-120-021-DV1-19	Drawer Front Pine (Large)	1	1/2
20	S100-120-021-DV1-20	Drawer Base	1	2/2
21	S100-120-021-DV1-21	Left Door	1	2/2
22	S100-120-021-DV1-22	Drawer Sides	8	2/2
23	S100-120-021-DV1-23	Drawer Base Support	1	2/2
24	S100-120-021-DV1-24	Right Door	1	2/2

FITTINGS LIST

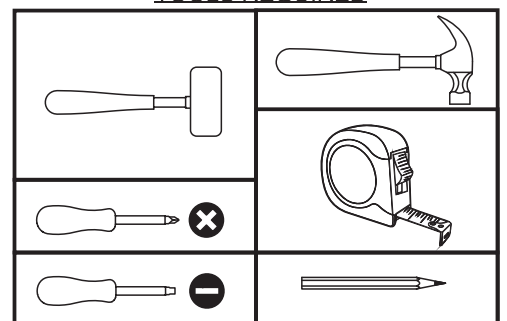
A  Glue (3x)	B  Dowel Ø6,0 x 30mm (50x) 2/+	C  Slide 350mm (4x)	D  Flat Head Screw Ø4,0 x 40mm (14x) 1/+
E  Nail 10 x 10 (52x) 5/+	F  Cam Nut 12mm (12x) 1/+	G  Cam Bolt (32x) 1/+	H  Screw Ø 6x8 (16x) 1/+
I  Flat Head Screw Ø3,0 x 14mm (16x) 1/+	J  Hole Plugs (10x) 2/+	K  Washer 02 (2X) Anti-tip strap 01	
L  Flan Head Screw Ø4,0 x 30mm (6x) 1/+	M  Pan Head Screw Ø4,0 x 14mm (16x) 1/+	N  Dowel Ø8,0 x 30mm (10x) 2/+	O  Flan Head Screw Ø3,5 x 12mm (4x) 1/+
P  Flat Head Screw Ø3,5 x 25mm (2x) 1/+	Q  Back Panel Bracket (5x) 1/+	R  Centre Hinge (2x)	S  End Hinge (2x)
T  Flat Head Screw Ø7 x 40mm (1x)	U  Hinge Plate (4x)	V  Door Stop (2x)	W  Cam Nut 15mm (20x) 1/+
X  Plastic profile 626mm (1x)		Y  Handle(6x)	

TIPS FOR FITTINGS CAM-LOCKS

WHEN FITTING CAM NUT. ENSURE STARTING POSITION IS CORRECT BEFORE YOU INSERT CONNECTING CAM BOLT TURN CLOCKWISE UNTIL SECURE

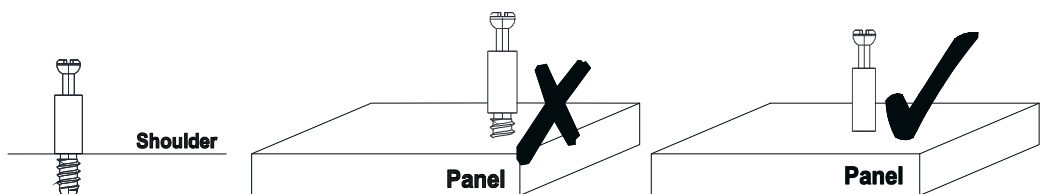


TOOLS REQUIRED



CAMBOLT

Tighten until shoulder in flush with panel. Do not overtighten or undertighten (see example beside)




STEP 1

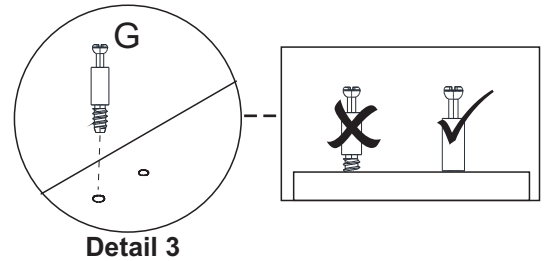
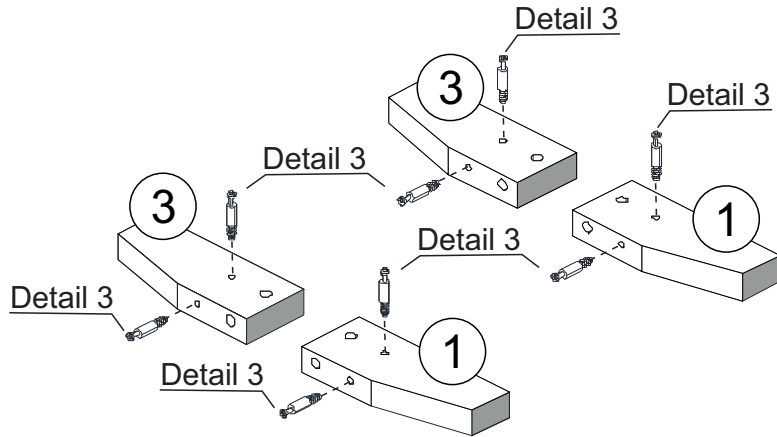
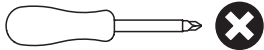
PARTS REQUIRED

- 1 - LEFT LEG x2
- 3 - RIGHT LEG x2

HARDWARE REQUIRED

- G  08

TOOLS REQUIRED

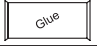




STEP 2

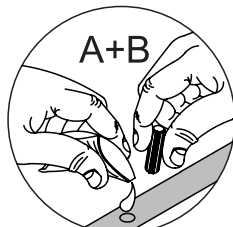
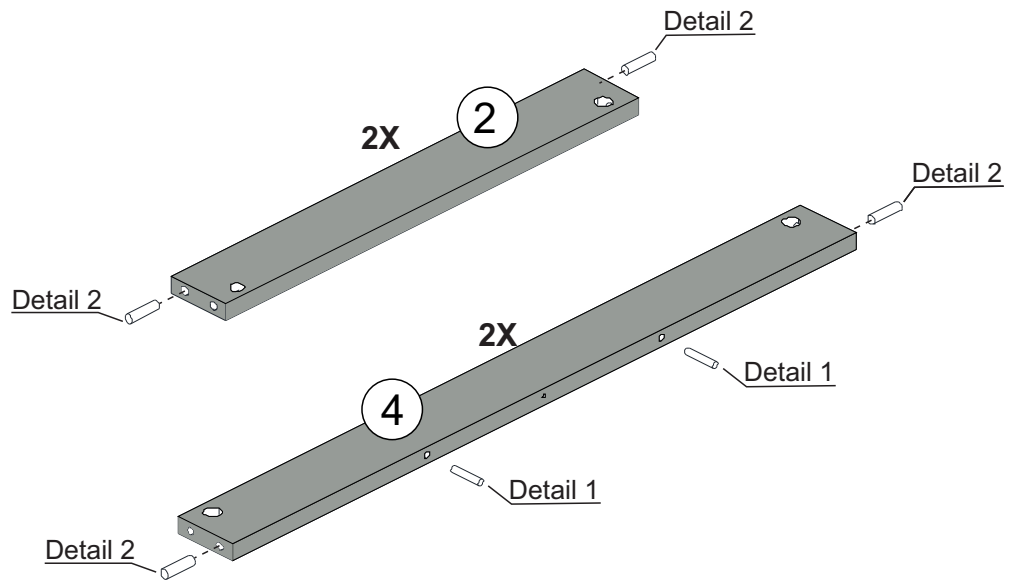
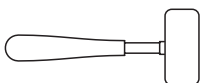
PARTS REQUIRED

- 2- LEG SUPPORT LEFT & RIGHT x2
- 4- LEG SUPPORT FRONT & BACK x2

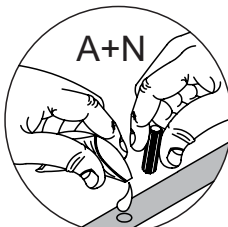
HARDWARE REQUIRED

- A  01
- B  Ø6 x 30mm 04
- N  Ø8 x 30mm 08

TOOLS REQUIRED



Detail 1



Detail 2

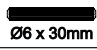
STEP 3


PARTS REQUIRED

9 - SHELF x1

HARDWARE REQUIRED

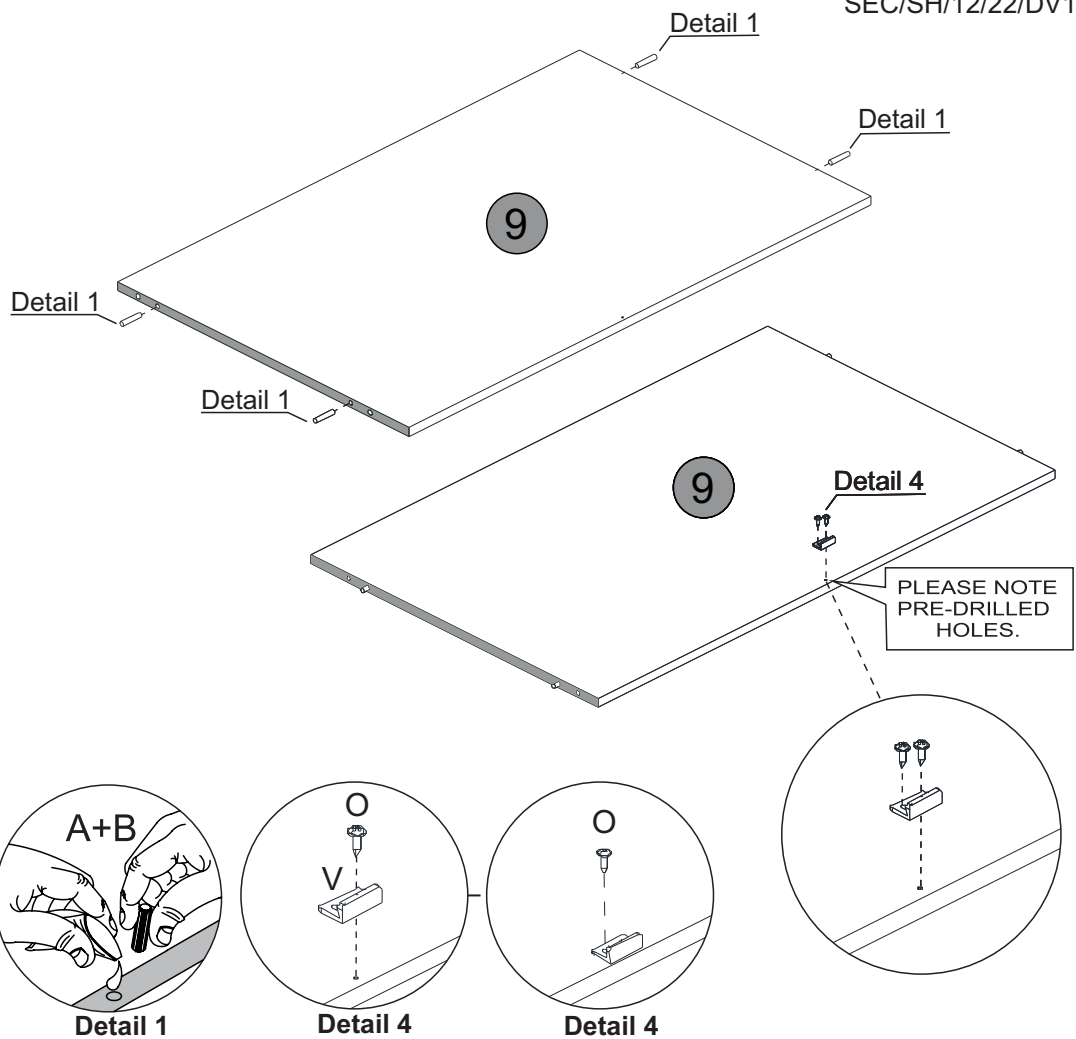
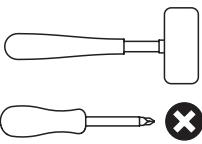
A  01

B  Ø6 x 30mm 04

O  Ø3,5 x 12mm 02

V  01

TOOLS REQUIRED





STEP 4


PARTS REQUIRED

13 - TOP PANEL x1

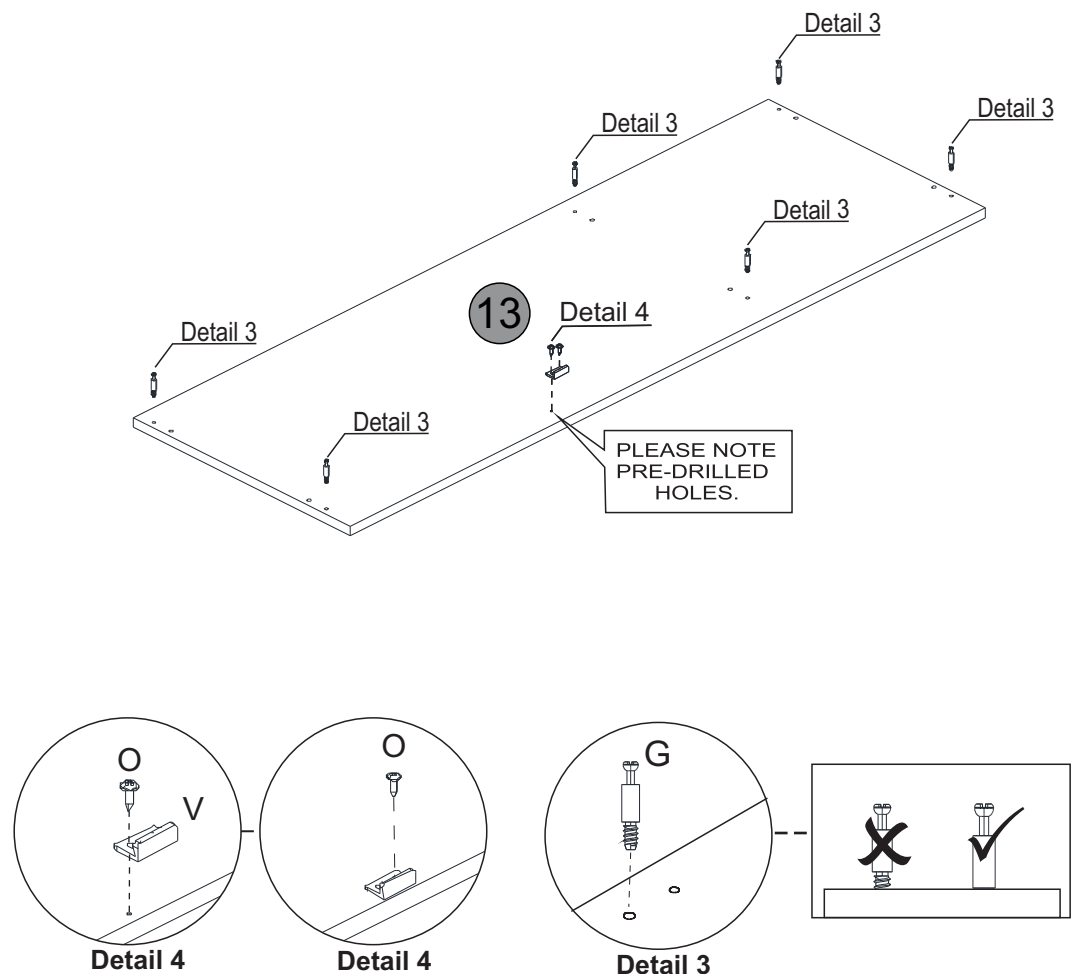
HARDWARE REQUIRED

G  06

O  Ø3,5 x 12mm 02

V  01

TOOLS REQUIRED



STEP 5

PARTS REQUIRED

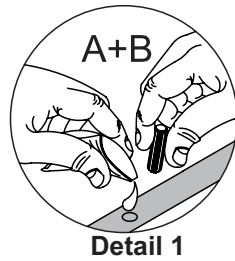
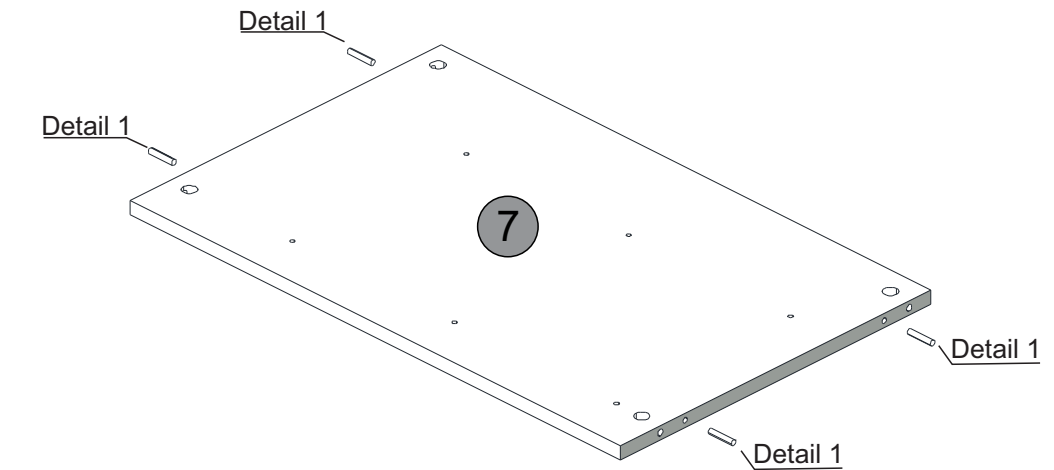
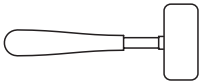
7- LEFT SIDE PANEL x1

HARDWARE REQUIRED

A  01

B  04

TOOLS REQUIRED



STEP 6

PARTS REQUIRED

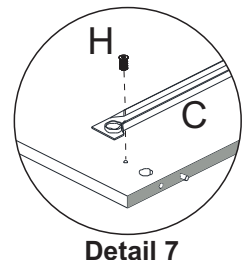
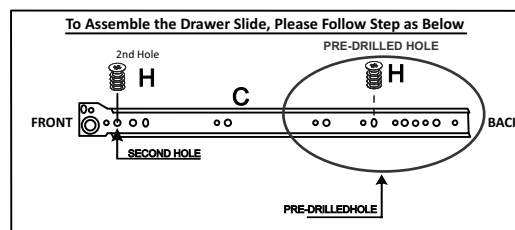
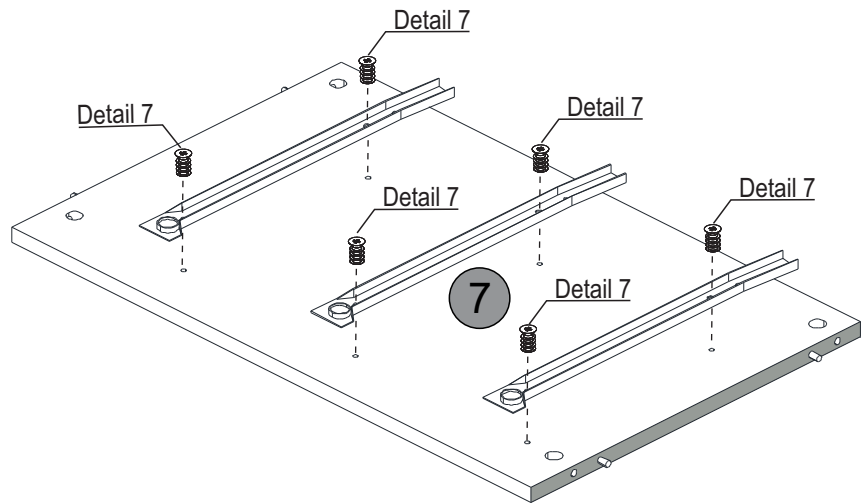
7- LEFT SIDE PANEL x1

HARDWARE REQUIRED

C  03

H  06

TOOLS REQUIRED



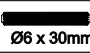
STEP 7

PARTS REQUIRED

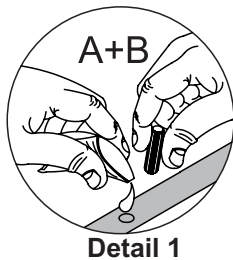
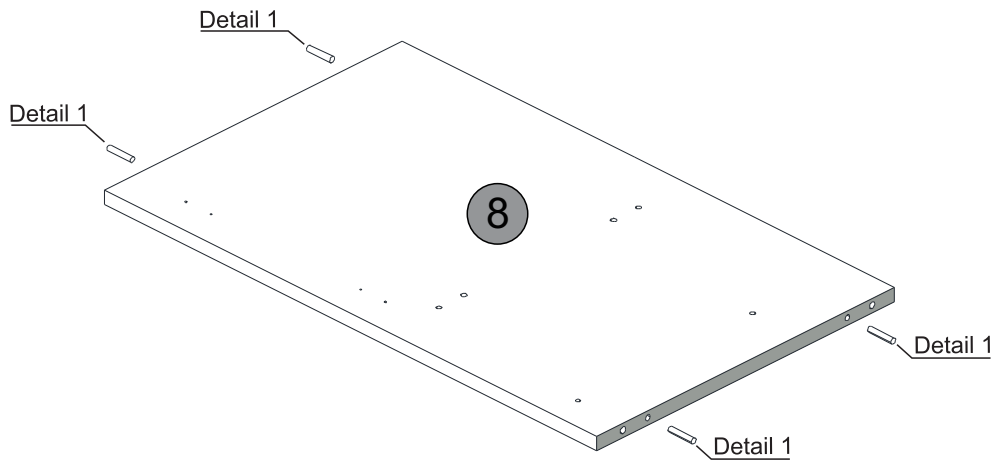
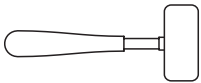
8- DIVISION PANEL x1

HARDWARE REQUIRED

A  01

B  Ø6 x 30mm 04

TOOLS REQUIRED



STEP 8

PARTS REQUIRED

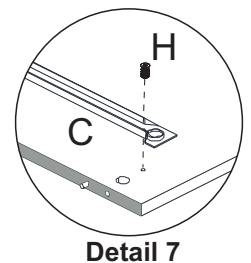
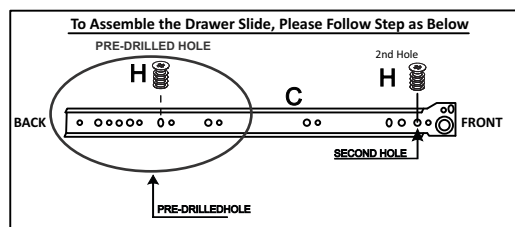
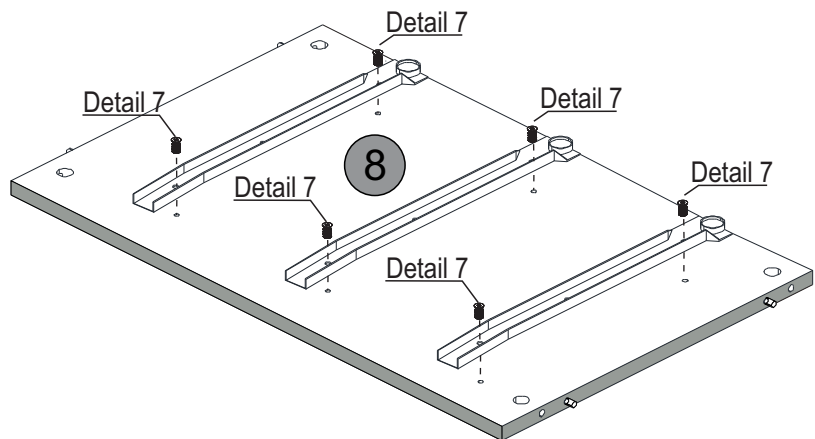
8- DIVISION PANEL x1

HARDWARE REQUIRED

C  350mm 03

H  Ø6 x 8mm 06

TOOLS REQUIRED




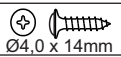



STEP 9

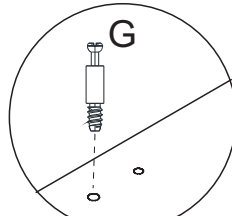
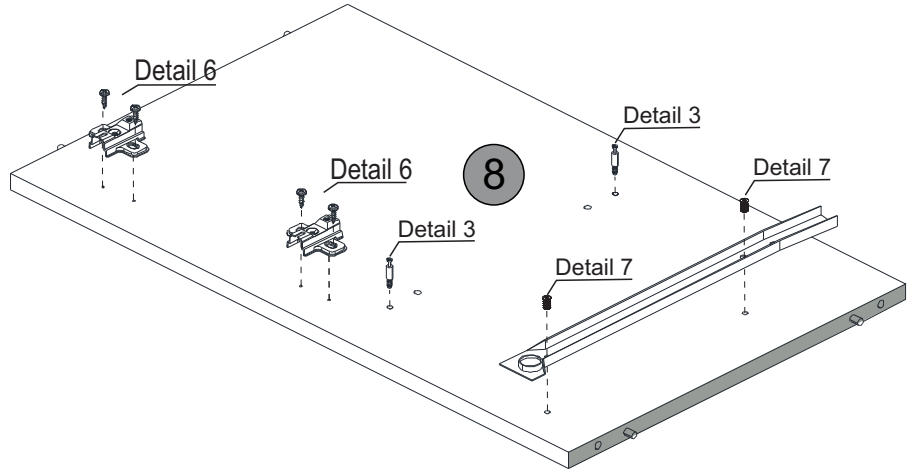
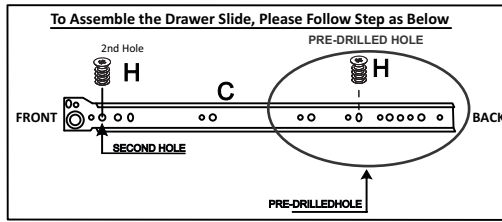
PARTS REQUIRED

8 - DIVISION PANEL x1

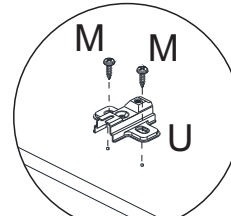
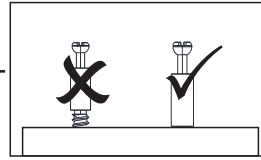
HARDWARE REQUIRED

- C  01
- G  02
- H  02
- M  04
- U  02

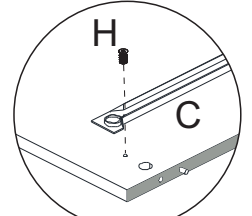
TOOLS REQUIRED



Detail 3



Detail 6



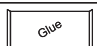
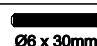

Detail 7

STEP 10

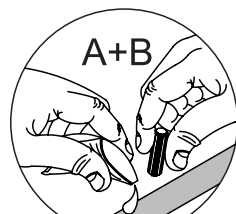
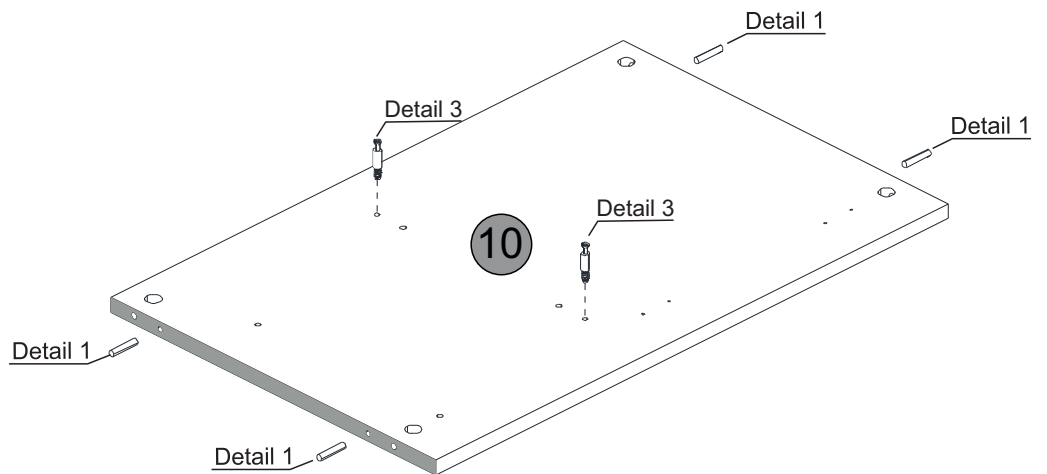
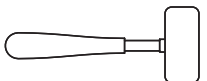
PARTS REQUIRED

10- RIGHT SIDE PANEL x1

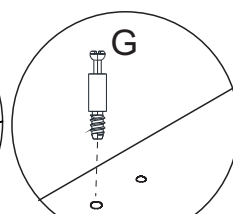
HARDWARE REQUIRED

- A  01
- B  04
- G  02

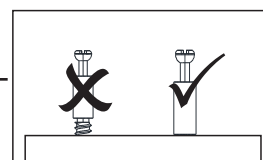
TOOLS REQUIRED



Detail 1



Detail 3



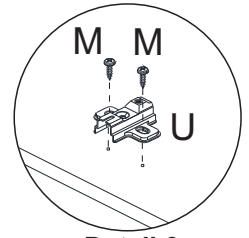
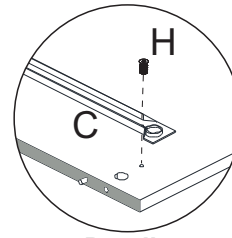
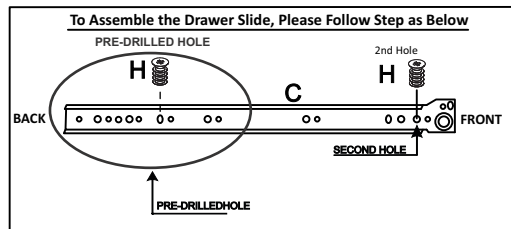
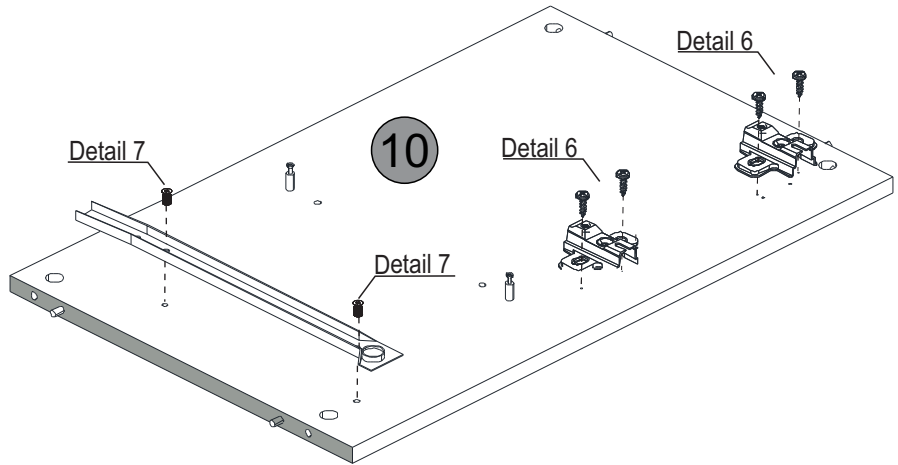
STEP 11

PARTS REQUIRED

10 - RIGHT SIDE PANEL x1

C	Right 350mm	01
H	Ø6 x 8mm	02
M	Ø4.0 x 14mm	04
U		02

TOOLS REQUIRED



Detail 7

Detail 6

STEP 12

PARTS REQUIRED

1 - LEFT LEG x2

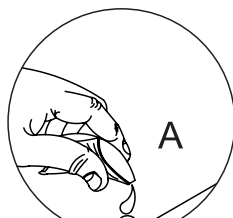
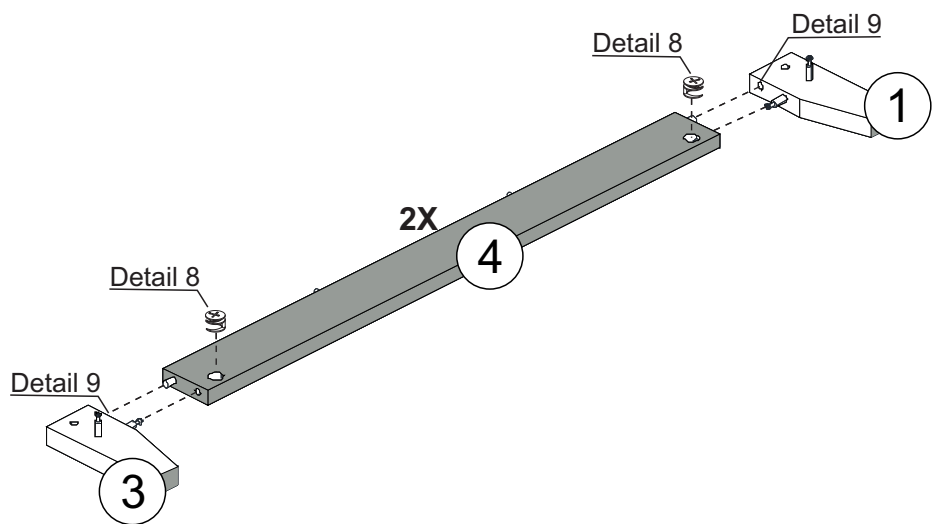
3 - RIGHT LEG x2

4 - LEG SUPPORT FRONT & BACKx2

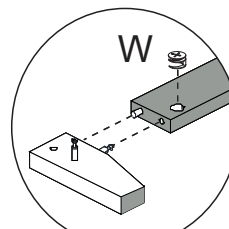
HARDWARE REQUIRED

A	Glue	01
W		04

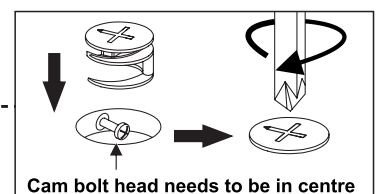
TOOLS REQUIRED



Detail 9



Detail 8

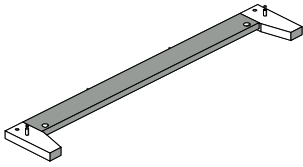


Cam bolt head needs to be in centre

STEP 13

PARTS REQUIRED

2 - LEG SUPPORT LEFT & RIGHTx2

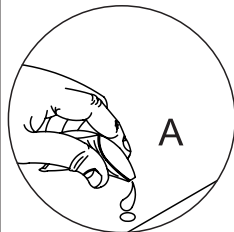
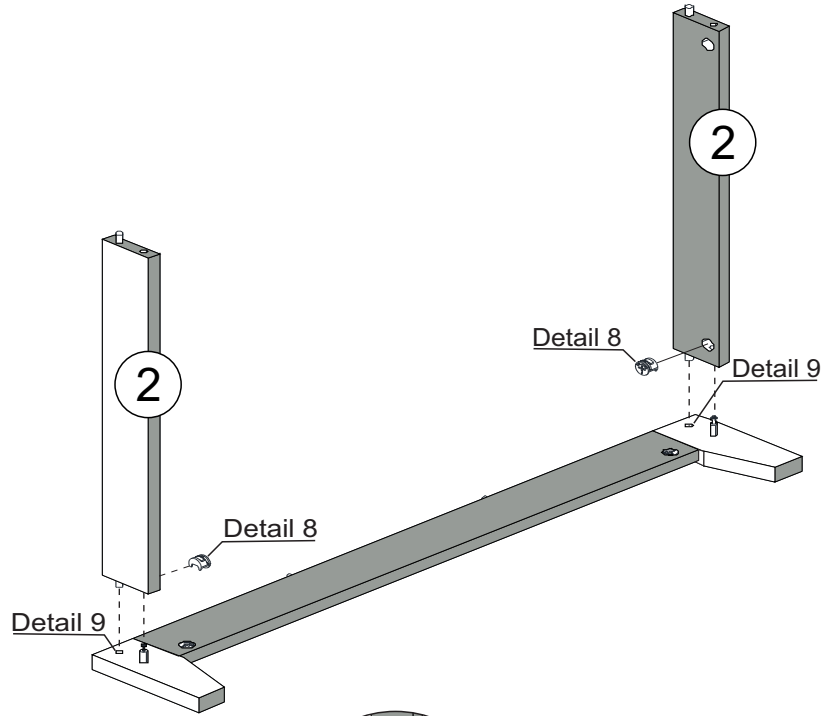
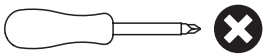


HARDWARE REQUIRED

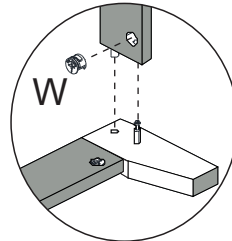
A  01

W  02

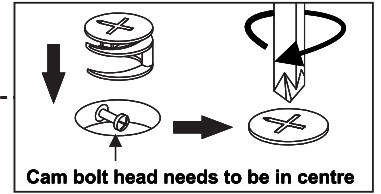
TOOLS REQUIRED



Detail 9

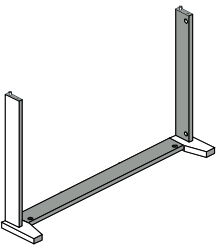


Detail 8




STEP 14

PARTS REQUIRED

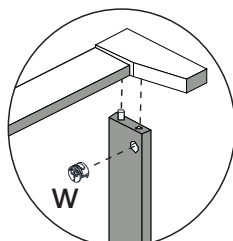
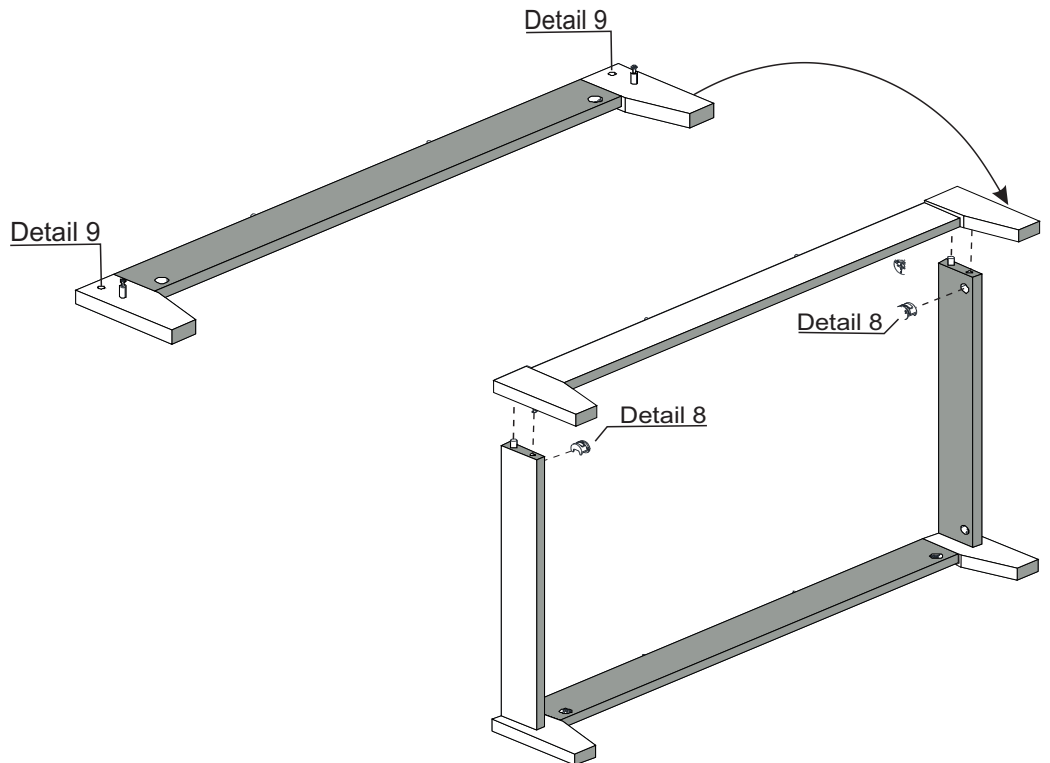
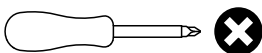


HARDWARE REQUIRED

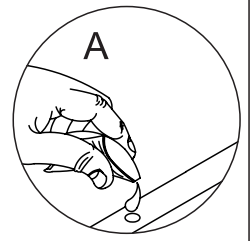
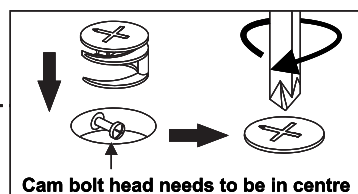
A  01

W  02

TOOLS REQUIRED



Detail 8

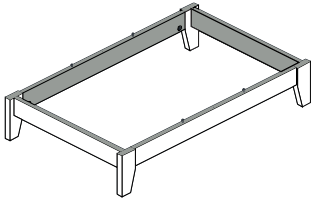


Detail 9

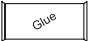
STEP 15

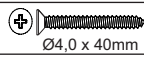
PARTS REQUIRED

6 - BASE PANEL x1

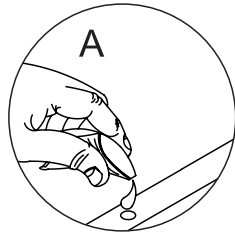
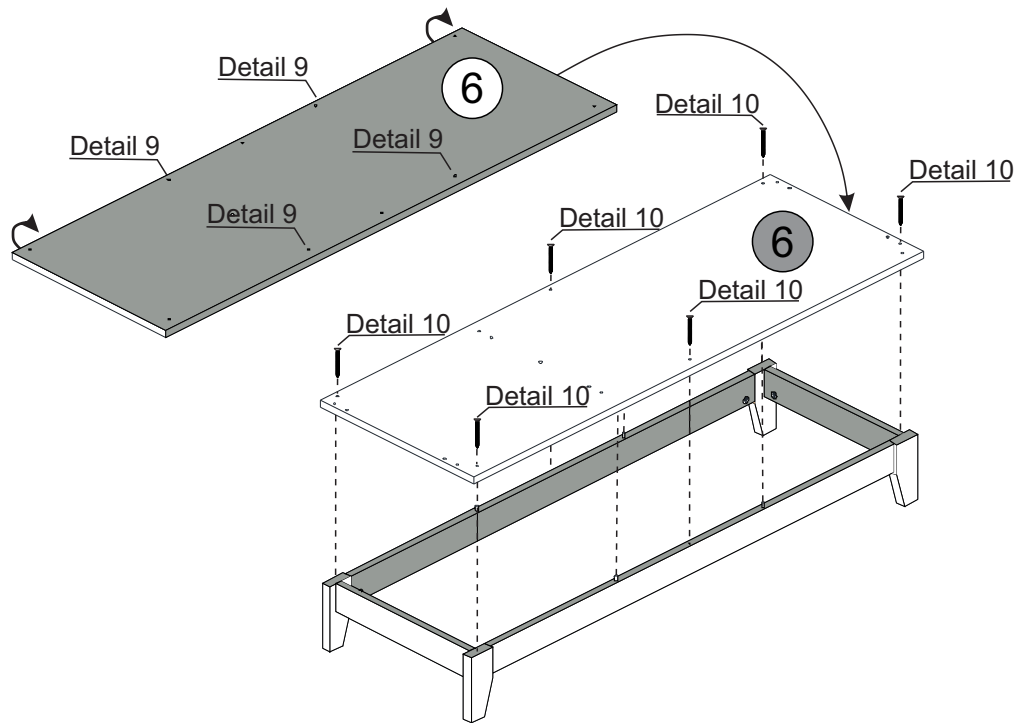
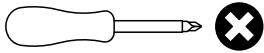


HARDWARE REQUIRED

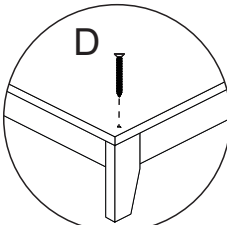
A  01

D  06
Ø4,0 x 40mm

TOOLS REQUIRED



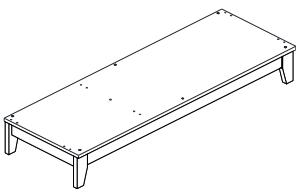
Detail 9




Detail 10

STEP 16

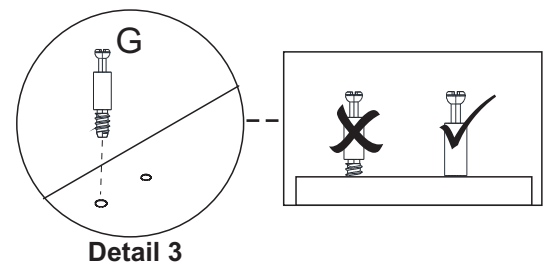
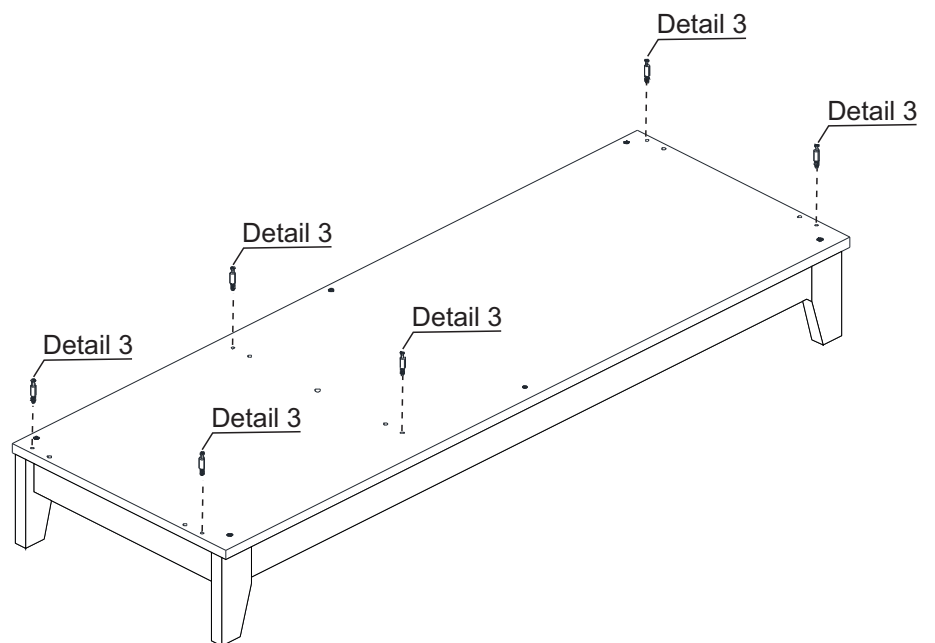
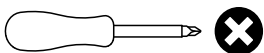
PARTS REQUIRED



HARDWARE REQUIRED

G  06

TOOLS REQUIRED

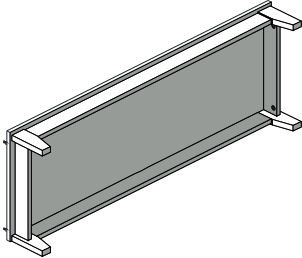


Detail 3


STEP 17

PARTS REQUIRED

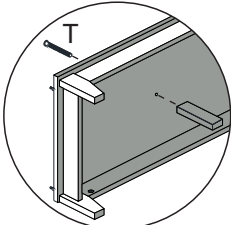
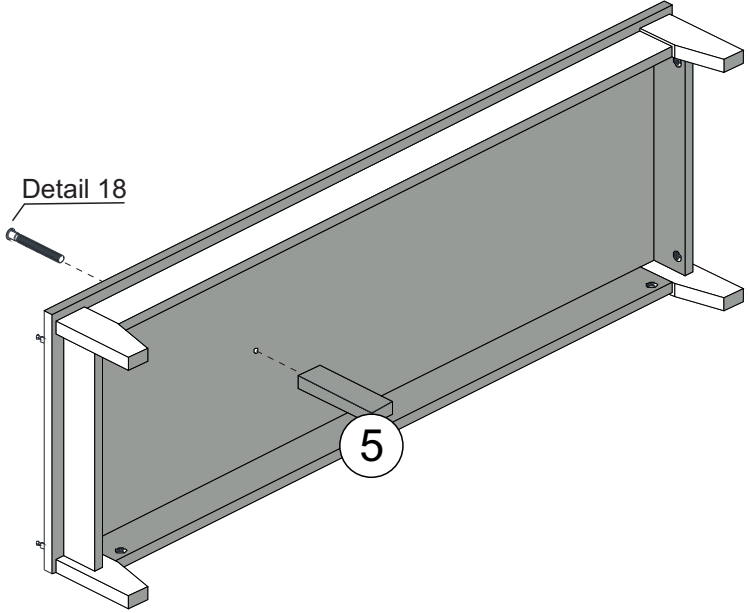
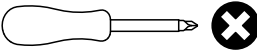
5 - CENTRE FOOT x1



HARDWARE REQUIRED

T  01
Ø7 x 40mm

TOOLS REQUIRED



Detail 18

STEP 18

PARTS REQUIRED

8 - DIVISION PANEL x1

9 - SHELF x1

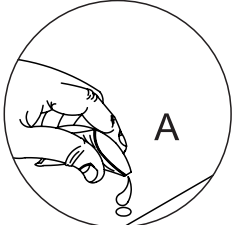
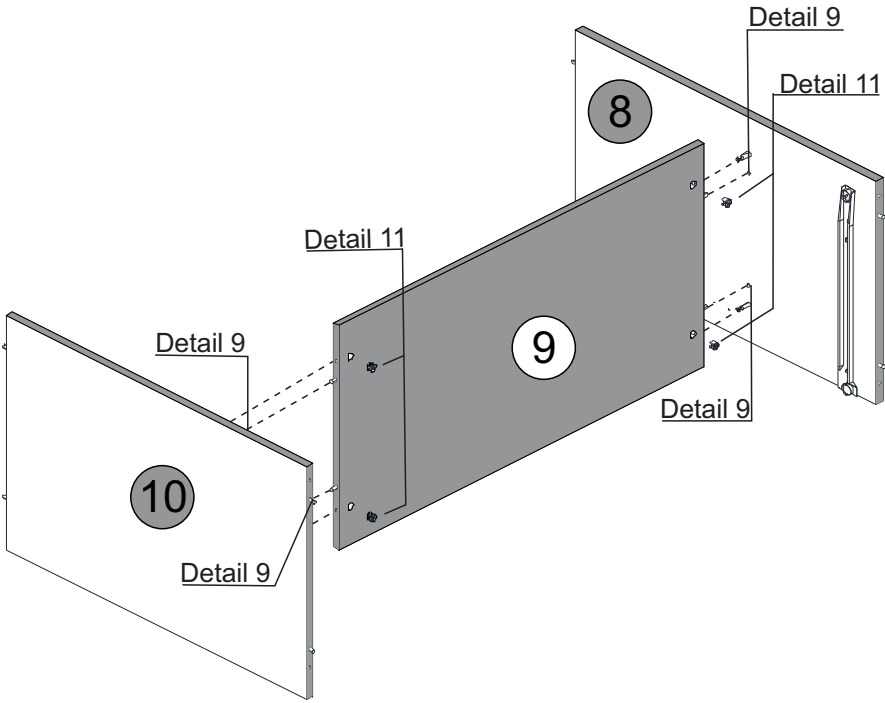
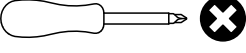
10 - RIGHT SIDE PANEL x1

HARDWARE REQUIRED

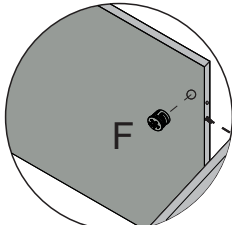
A  01

F  Ø12mm 04

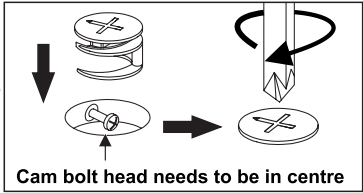
TOOLS REQUIRED



Detail 9

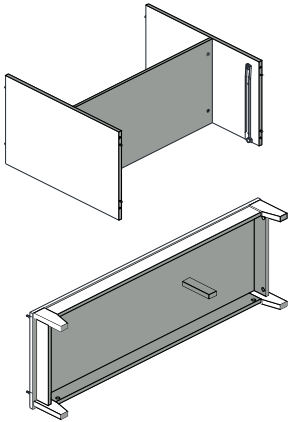


Detail 11




STEP 19

PARTS REQUIRED

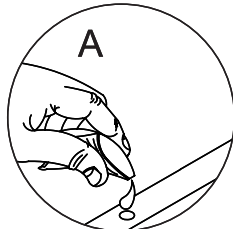
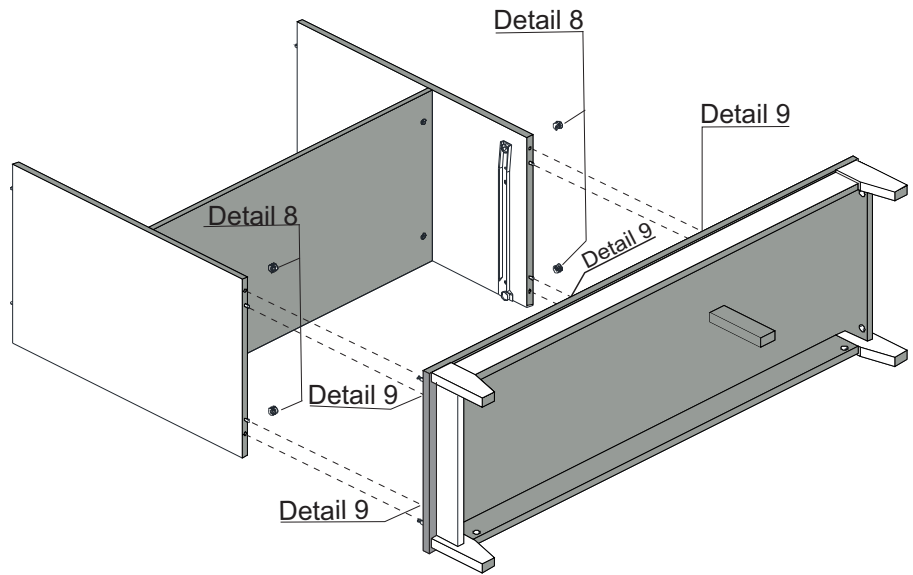
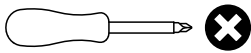


HARDWARE REQUIRED

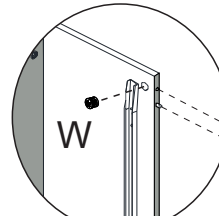
A		01
---	---	----

W		04
---	---	----

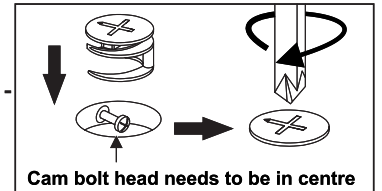
TOOLS REQUIRED



Detail 9



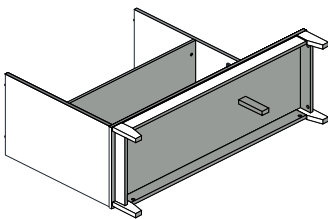
Detail 8




STEP 20

PARTS REQUIRED

7- LEFT SIDE PANEL	x1
--------------------	----

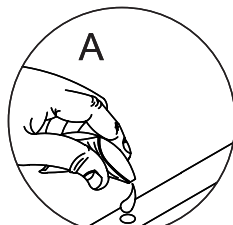
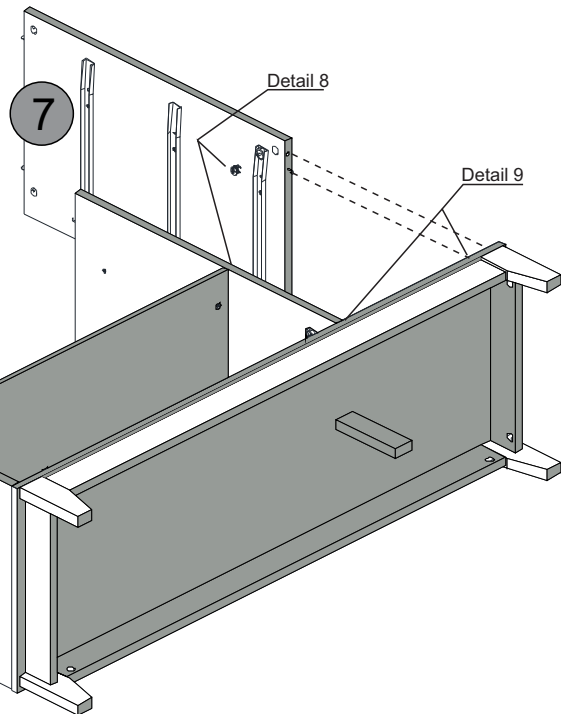
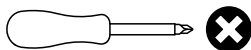


HARDWARE REQUIRED

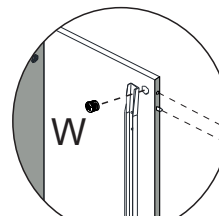
A		01
---	---	----

W		02
---	---	----

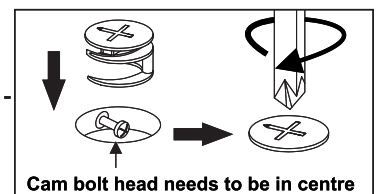
TOOLS REQUIRED



Detail 9



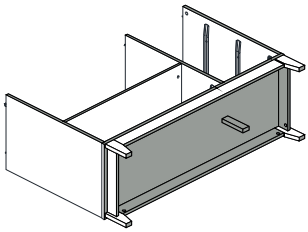
Detail 8



STEP 21

PARTS REQUIRED

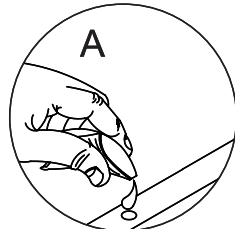
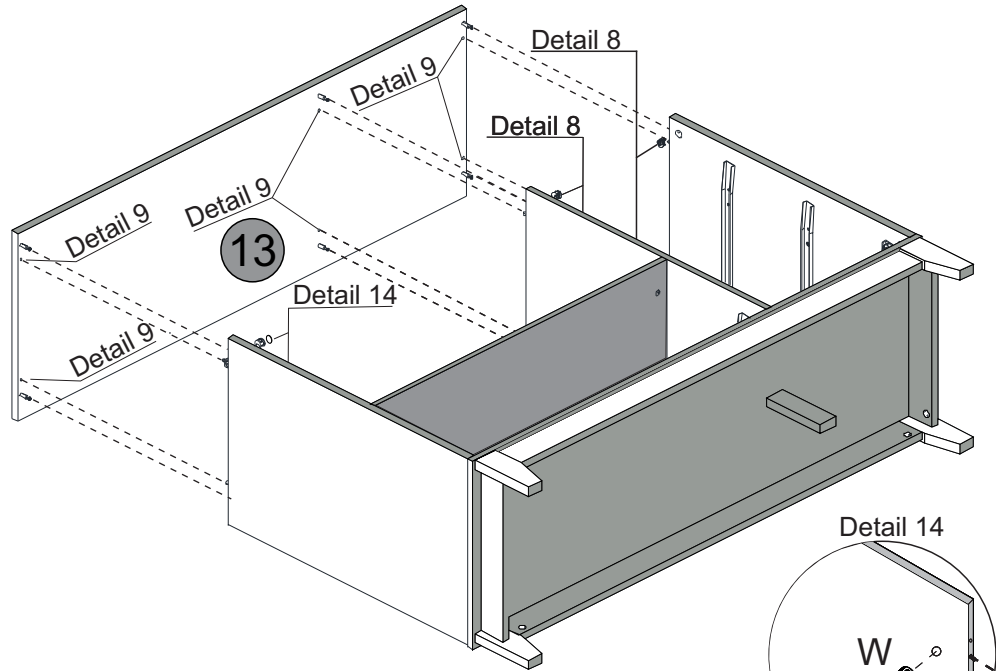
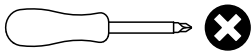
13 - TOP PANEL x1



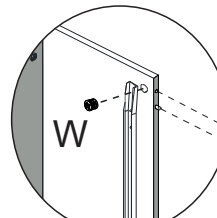
HARDWARE REQUIRED

A		01
W		06
J		02

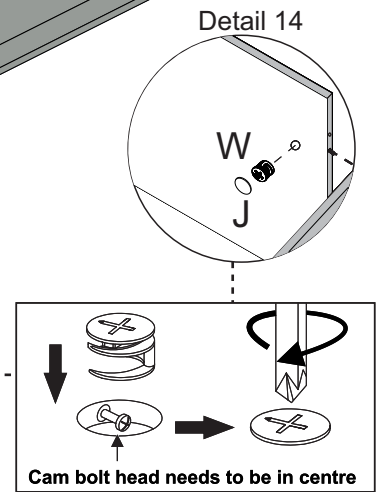
TOOLS REQUIRED



Detail 9



Detail 8



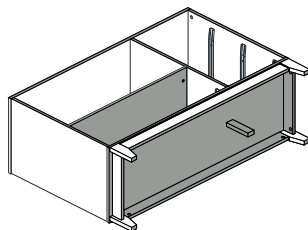
Cam bolt head needs to be in centre

STEP 22

PARTS REQUIRED

11- BACK PANEL x1

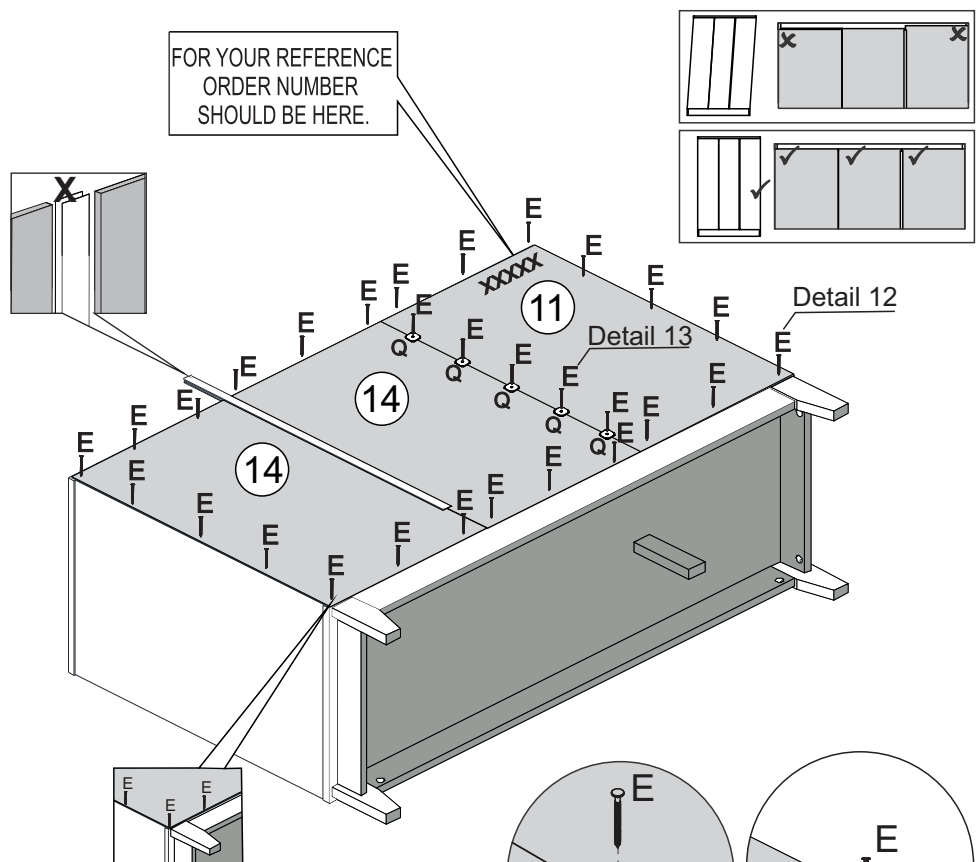
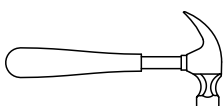
14- BACK PANEL x2



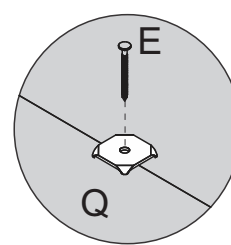
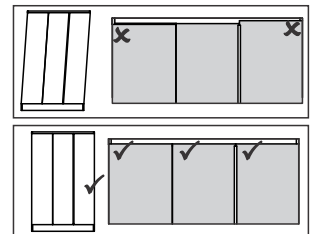
HARDWARE REQUIRED

E		10 x 10	29
Q			05
X			01

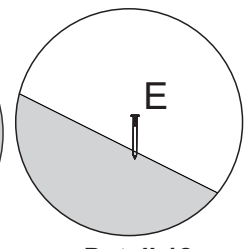
TOOLS REQUIRED



FOR YOUR REFERENCE ORDER NUMBER SHOULD BE HERE.



Detail 13




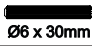
Detail 12

STEP 23

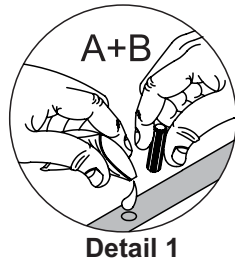
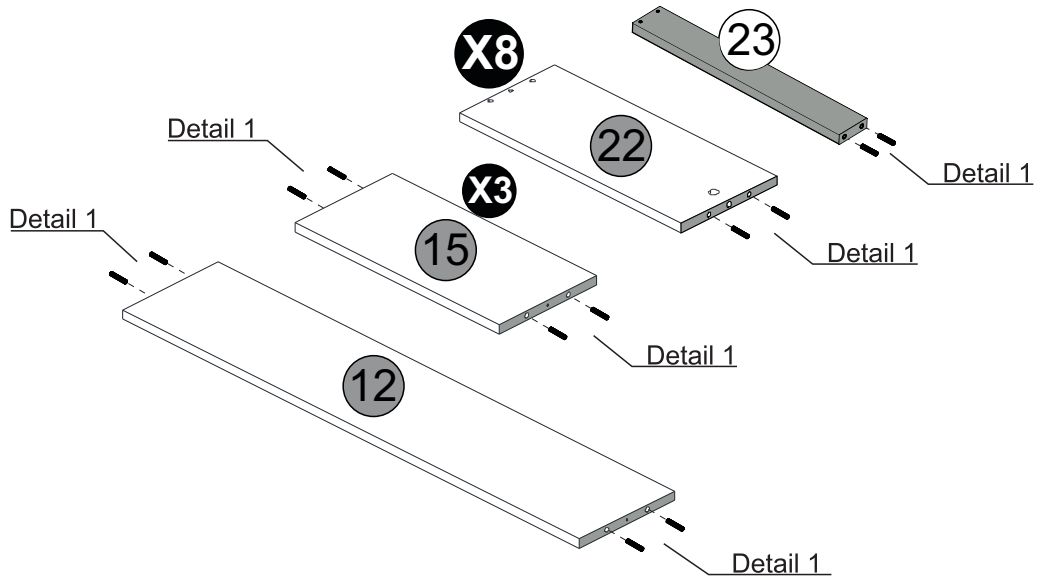
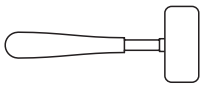
PARTS REQUIRED

- 12- DRAWER BACK (LARGE) x1
- 15- DRAWER BACK (SMALL) x3
- 22- DRAWER SIDES x8
- 23- DRAWER BASE SUPPORT x1

HARDWARE REQUIRED

- A  01
- B  Ø6 x 30mm 34

TOOLS REQUIRED



STEP 24

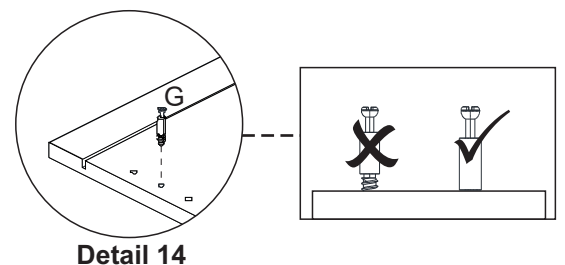
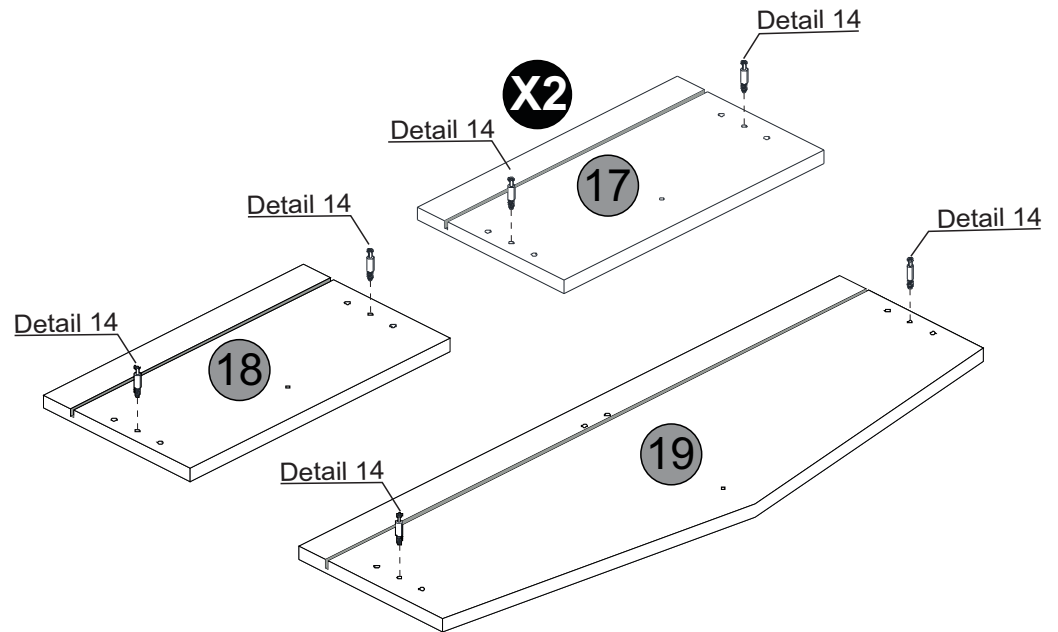
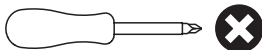
PARTS REQUIRED

- 17- DRAWER FRONT WHITE (SMALL) x2
- 18- DRAWER FRONT PINE (SMALL) x1
- 19- DRAWER FRONT PINE (LARGE) x1

HARDWARE REQUIRED

- G  08

TOOLS REQUIRED



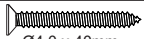
STEP 25

PARTS REQUIRED

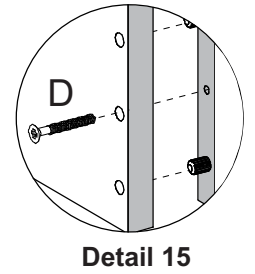
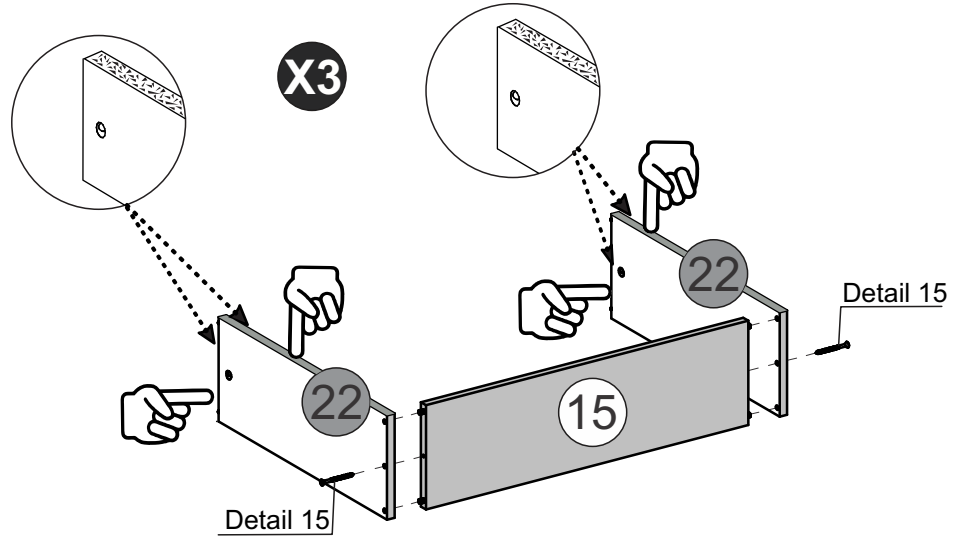
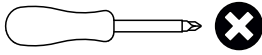
22- DRAWER SIDES x6

15- DRAWER BACK (SMALL) x3

HARDWARE REQUIRED

D  06
Ø4.0 x 40mm

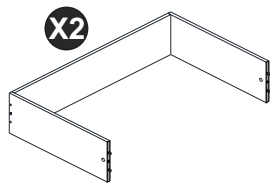
TOOLS REQUIRED




STEP 26

PARTS REQUIRED

17- DRAWER FRONT WHITE (SMALL) x2



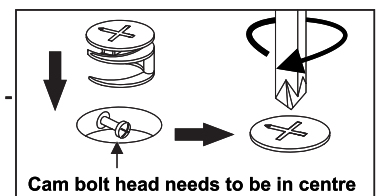
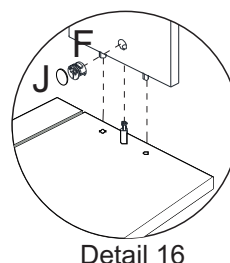
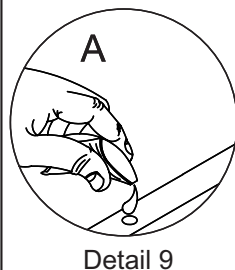
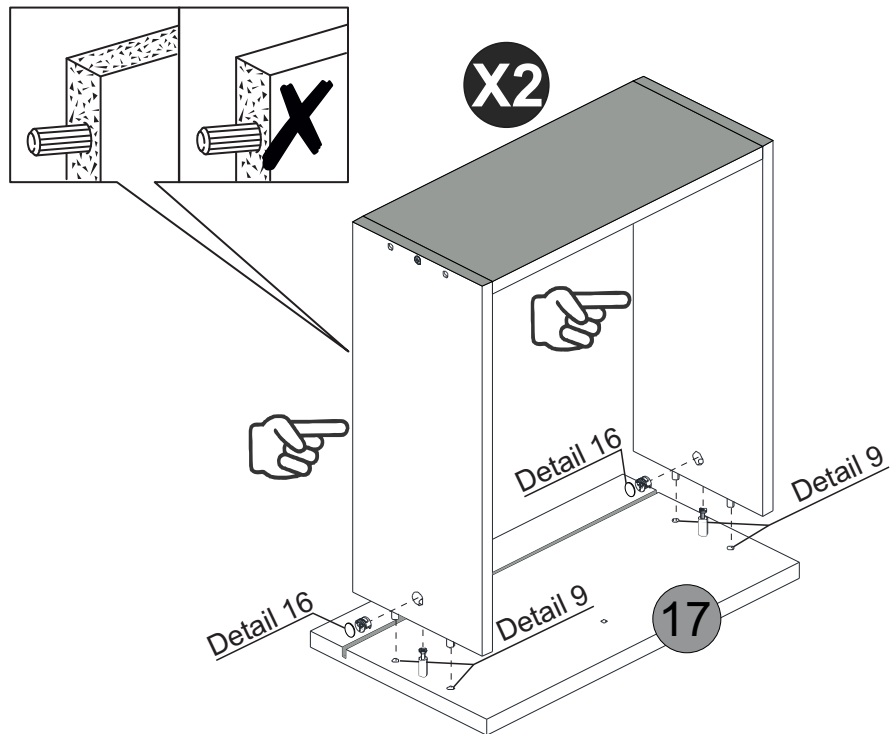
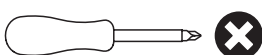
HARDWARE REQUIRED

A  01

F  Ø12mm 04

J  04

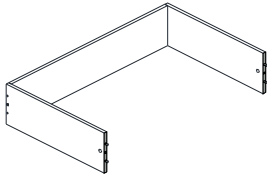
TOOLS REQUIRED



STEP 27

PARTS REQUIRED

18- DRAWER FRONT PINE (SMALL) x1



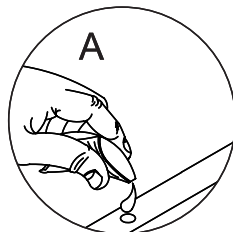
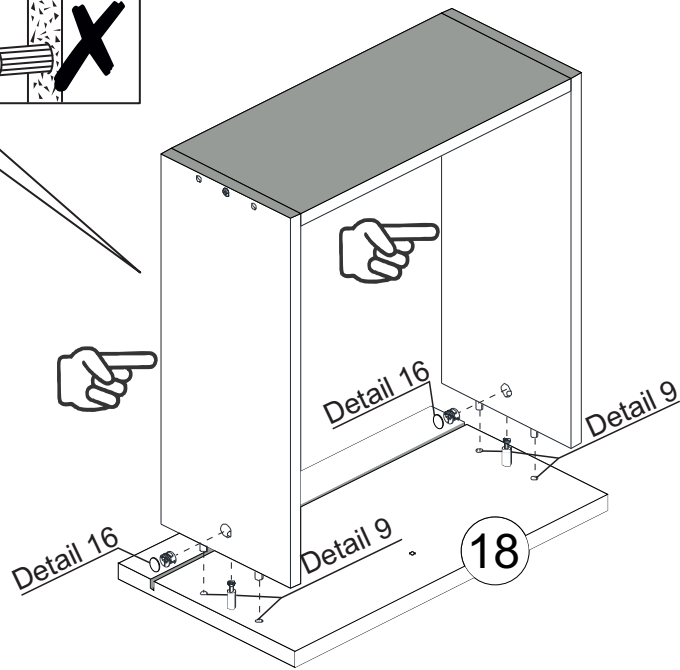
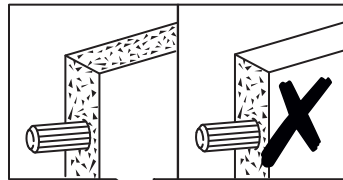
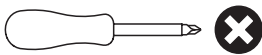
HARDWARE REQUIRED

A 01

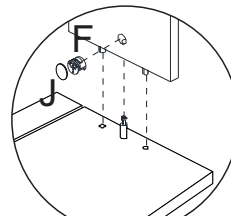
F Ø12mm 02

J 02

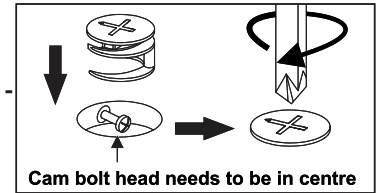
TOOLS REQUIRED



Detail 9



Detail 16

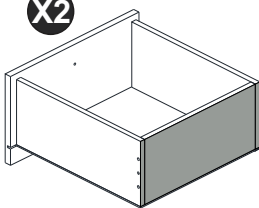


STEP 28

PARTS REQUIRED

16 - DRAWER BASE x2

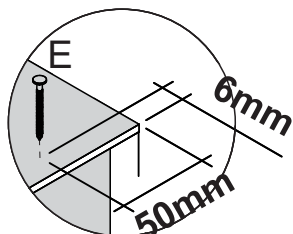
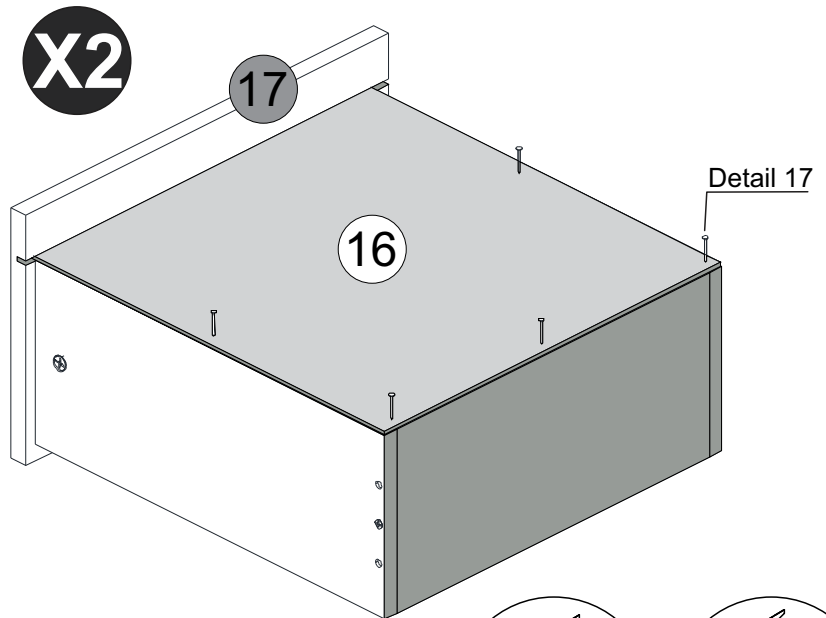
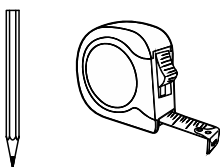
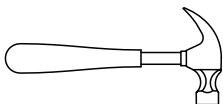
X2



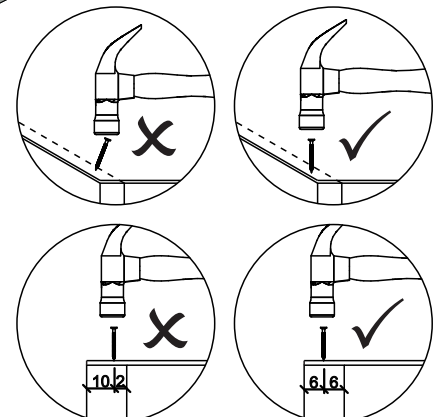
HARDWARE REQUIRED

E 10

TOOLS REQUIRED



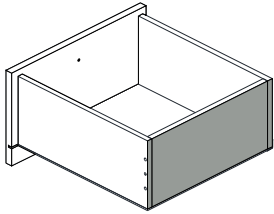
Detail 17



STEP 29

PARTS REQUIRED

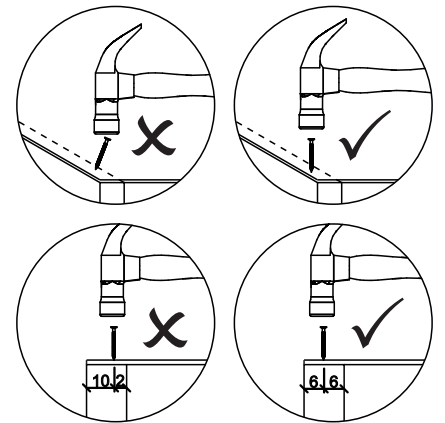
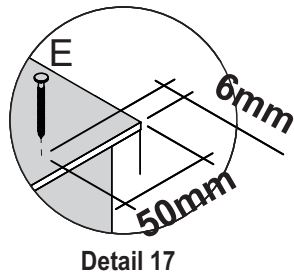
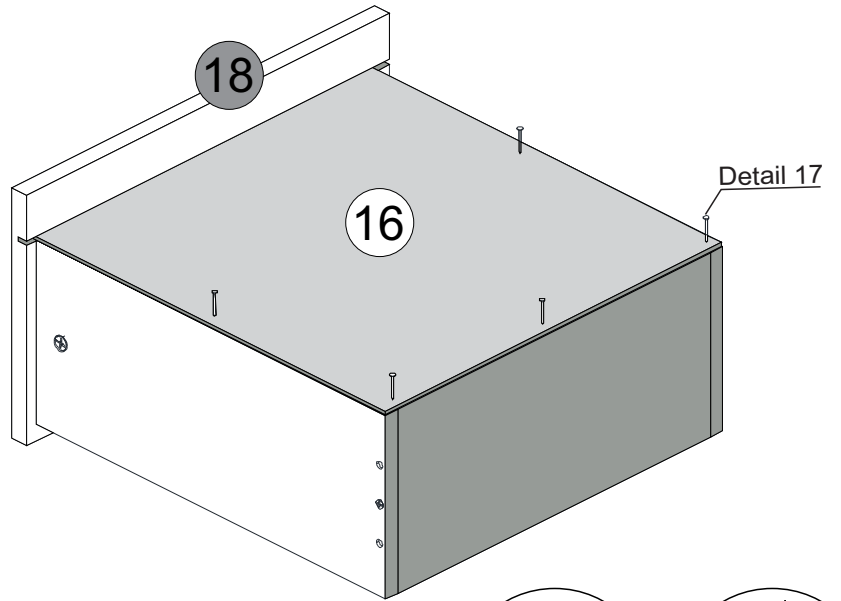
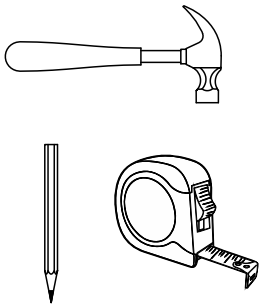
16 - DRAWER BASE x1



HARDWARE REQUIRED

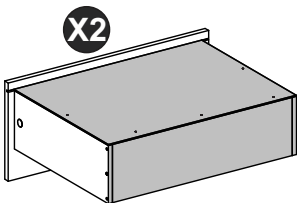
E  05

TOOLS REQUIRED



STEP 30

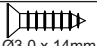
PARTS REQUIRED



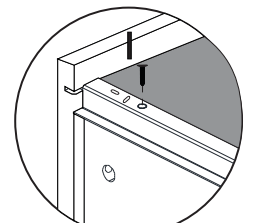
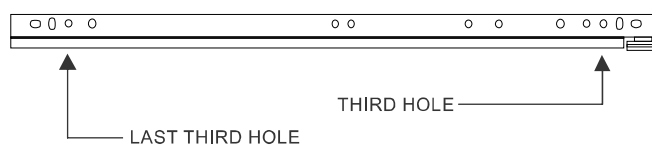
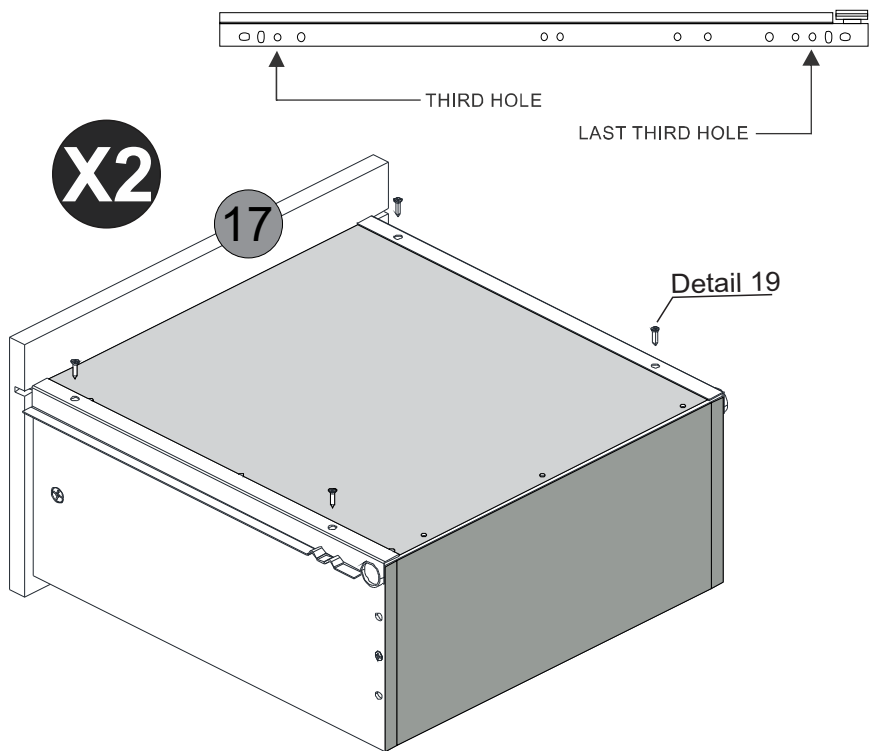
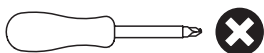
HARDWARE REQUIRED

C  LEFT 02

C  RIGHT 02

I  08
Ø3.0 x 14mm

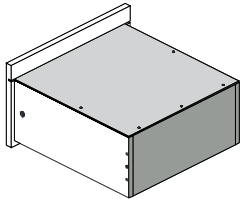
TOOLS REQUIRED



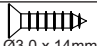
Detail 19

STEP 31

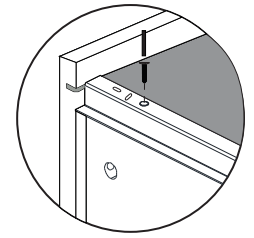
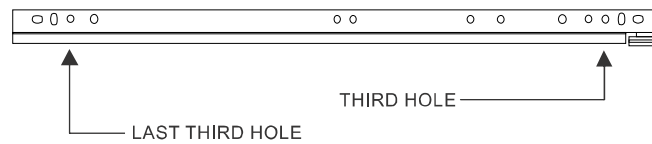
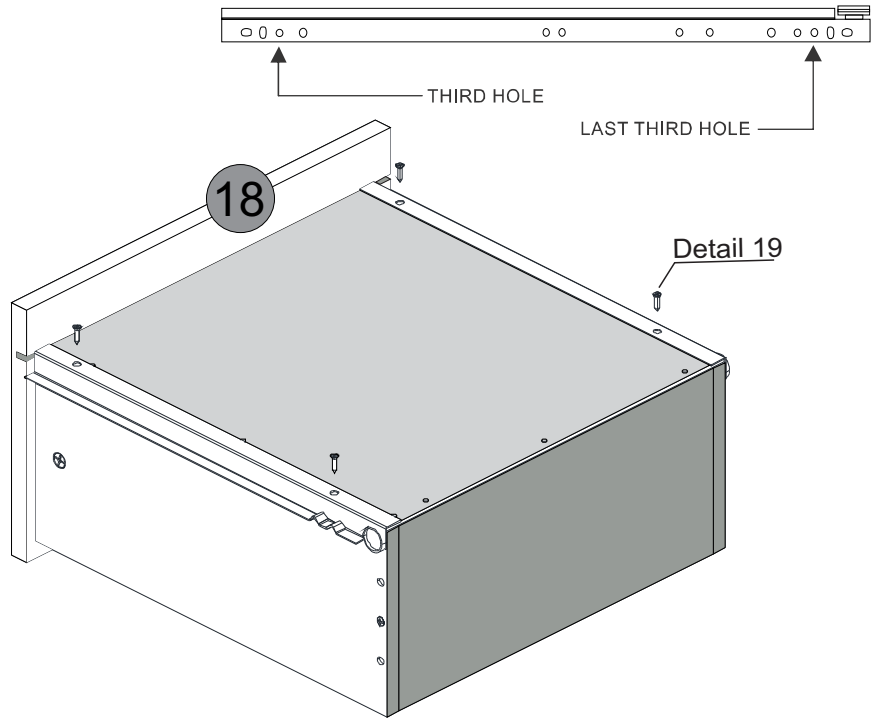
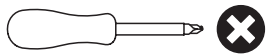
PARTS REQUIRED



HARDWARE REQUIRED

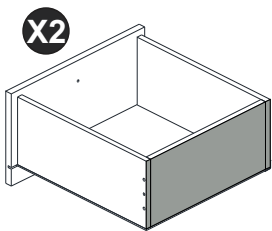
- C LEFT 01
- C RIGHT 01
- I  04
Ø3,0 x 14mm

TOOLS REQUIRED


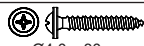


STEP 32

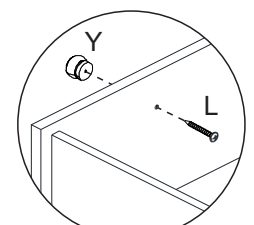
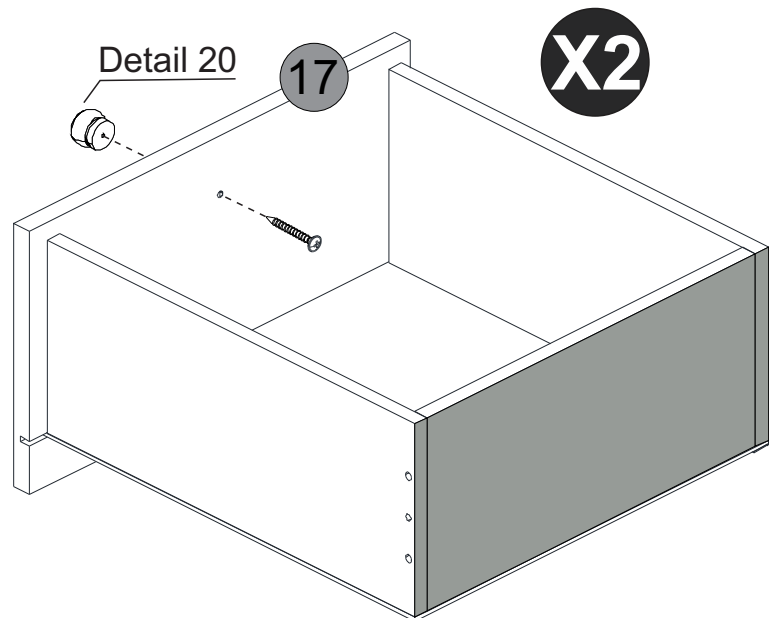
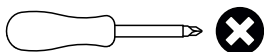
PARTS REQUIRED



HARDWARE REQUIRED

- Y  02
- L  02
Ø4,0 x 30mm

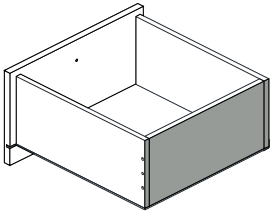
TOOLS REQUIRED



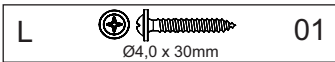
Detail 20

STEP 33

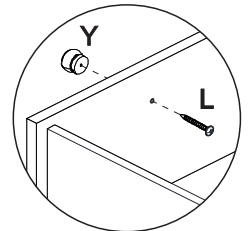
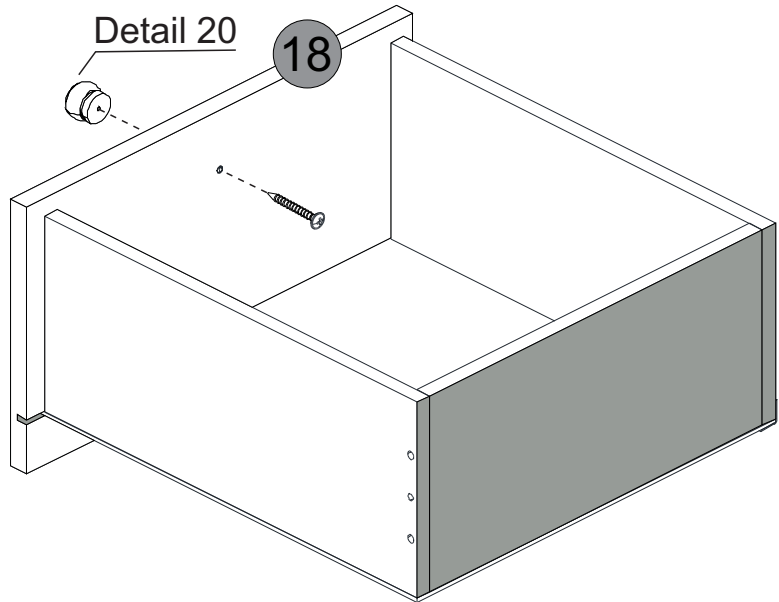
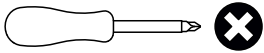
PARTS REQUIRED



HARDWARE REQUIRED



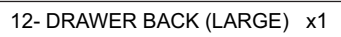
TOOLS REQUIRED



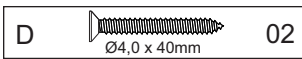
Detail 20

STEP 34

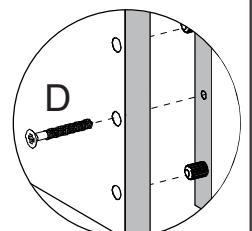
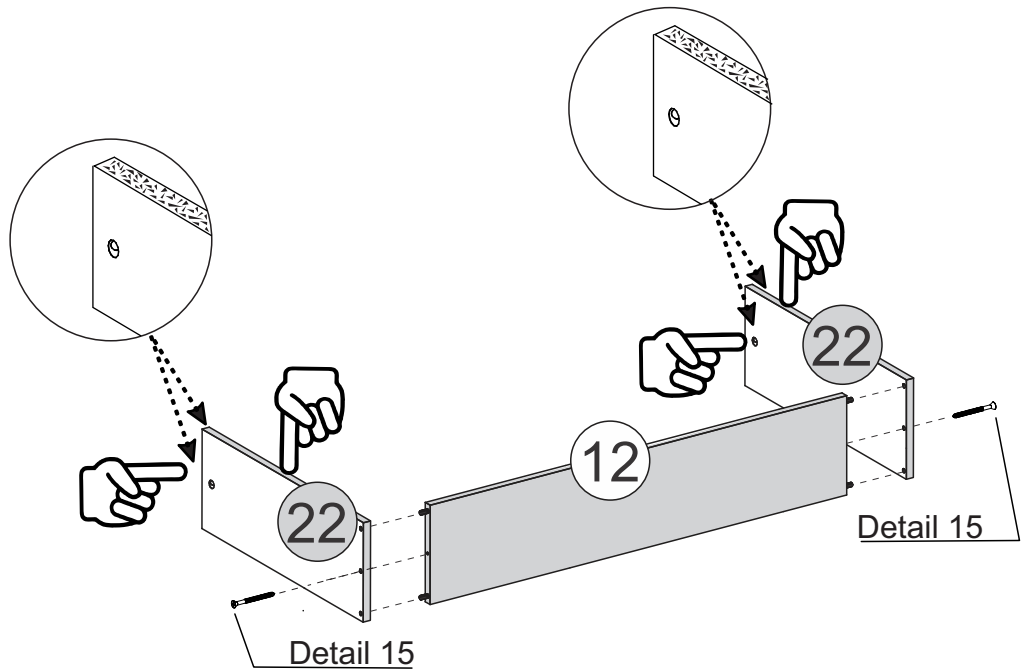
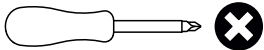
PARTS REQUIRED



HARDWARE REQUIRED



TOOLS REQUIRED

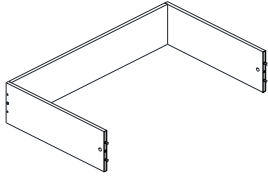


Detail 15

STEP 35

PARTS REQUIRED

19- DRAWER FRONT PINE (LARGE) x1



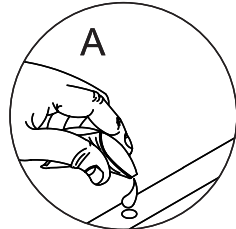
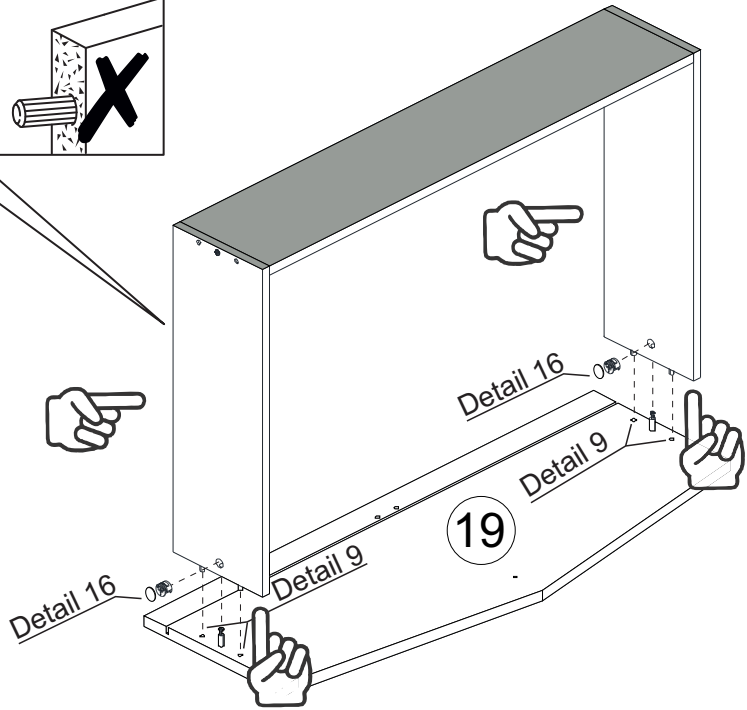
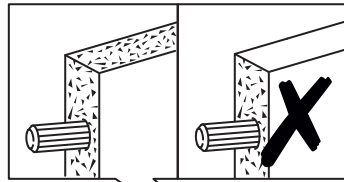
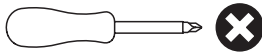
HARDWARE REQUIRED

A 01

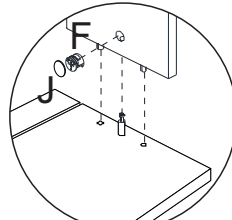
F Ø12mm 02

J 02

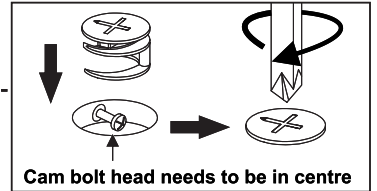
TOOLS REQUIRED



Detail 9



Detail 16

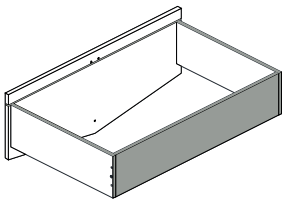


STEP 36

PARTS REQUIRED

20- DRAWER BASE x1

23- DRAWER BASE SUPPORT x1

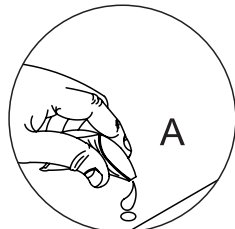
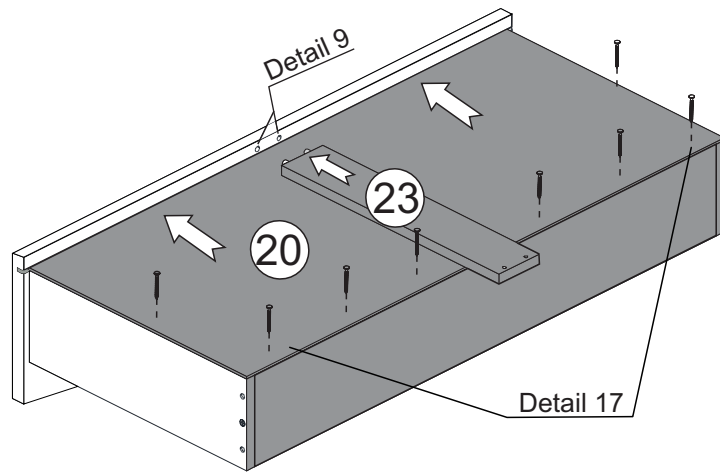
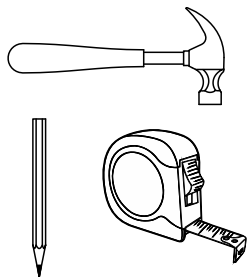


HARDWARE REQUIRED

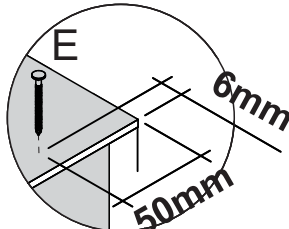
A 01

E 08

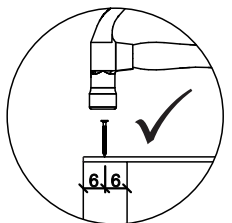
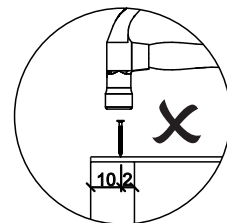
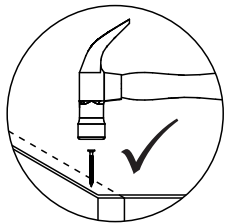
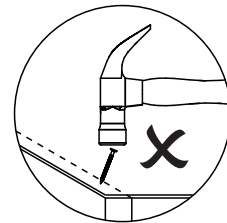
TOOLS REQUIRED



Detail 9

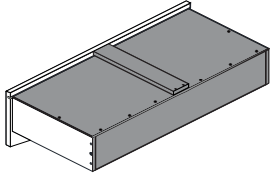


Detail 17

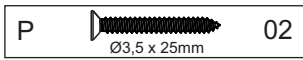
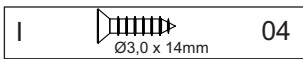


STEP 37

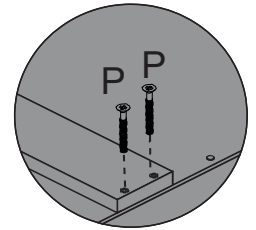
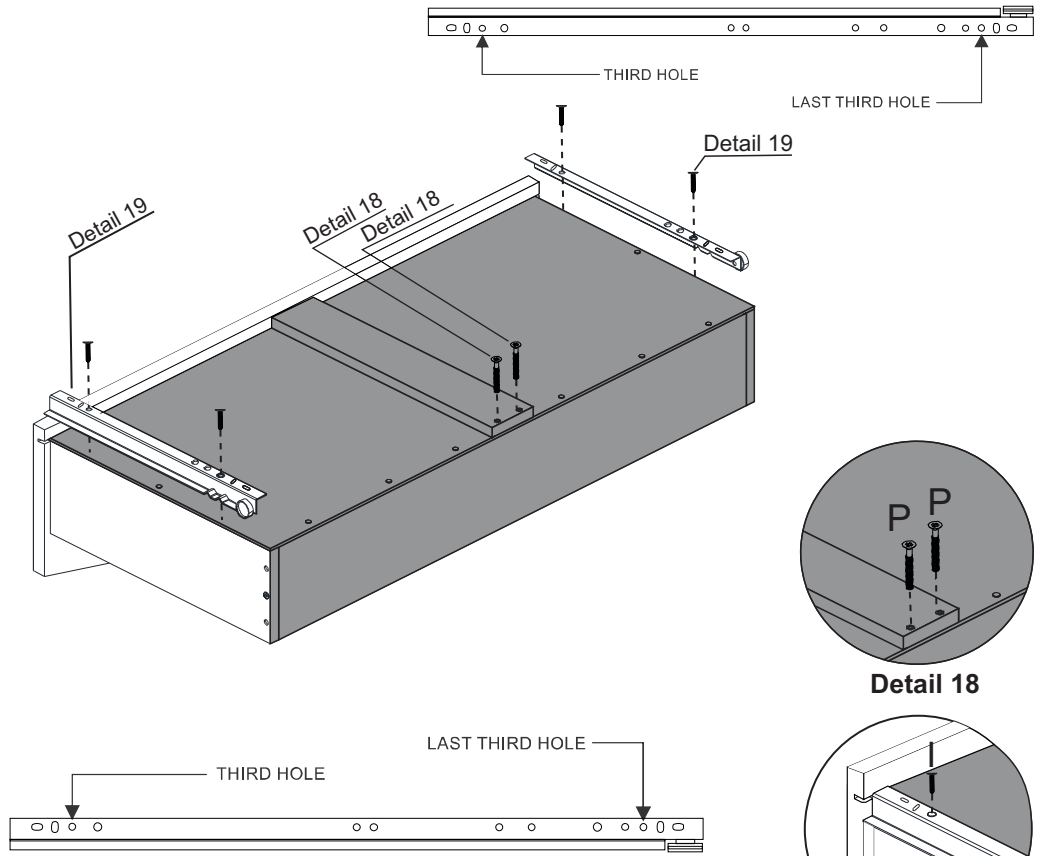
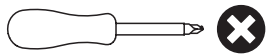
PARTS REQUIRED



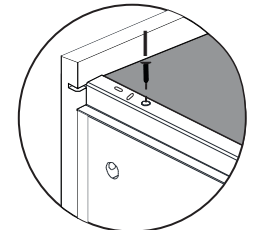
HARDWARE REQUIRED



TOOLS REQUIRED



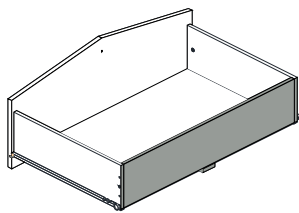
Detail 18



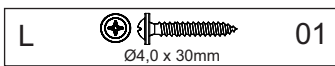
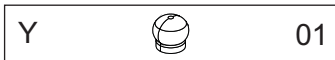
Detail 19

STEP 38

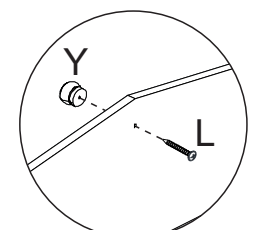
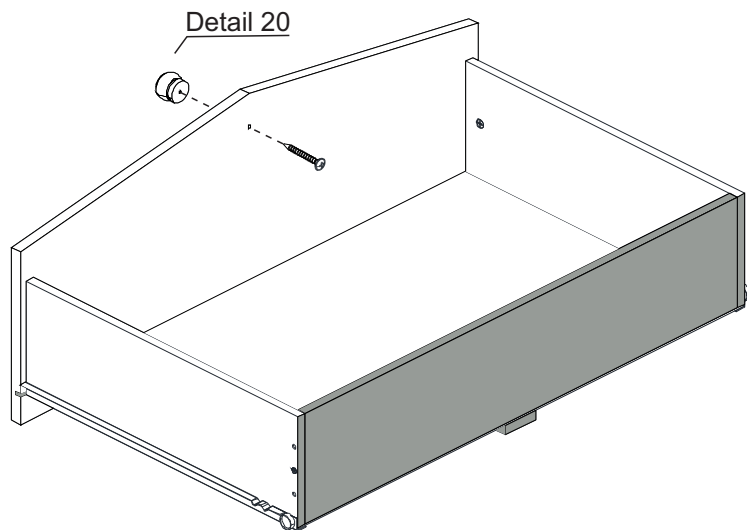
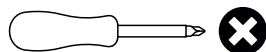
PARTS REQUIRED



HARDWARE REQUIRED



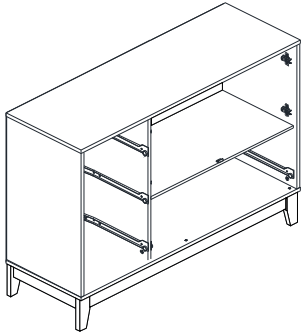
TOOLS REQUIRED



Detail 20

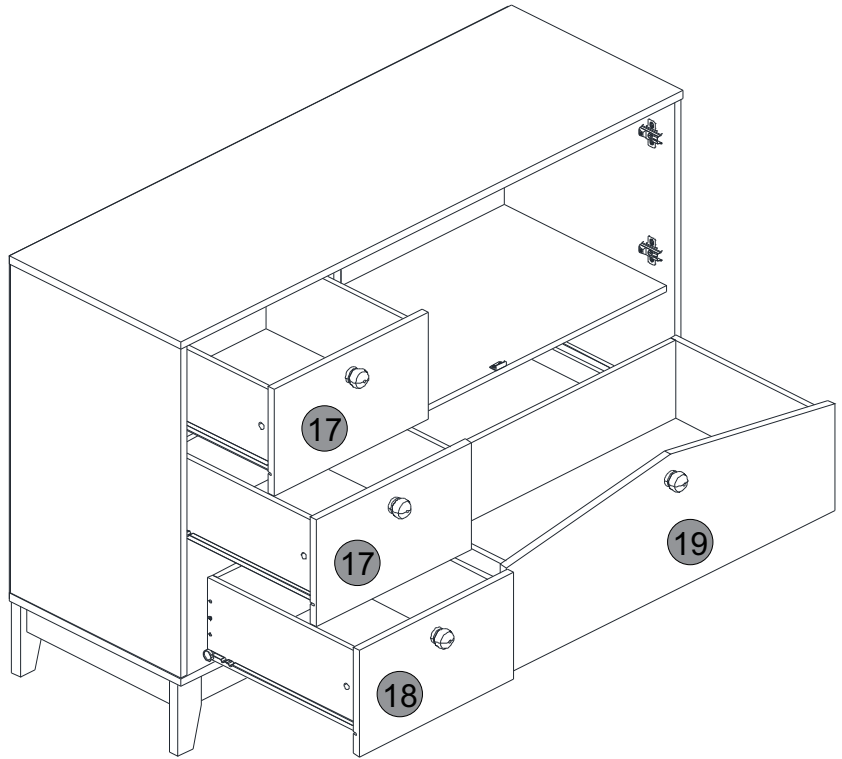
STEP 39

PARTS REQUIRED



HARDWARE REQUIRED

TOOLS REQUIRED

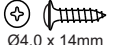



STEP 40

PARTS REQUIRED

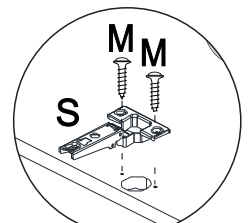
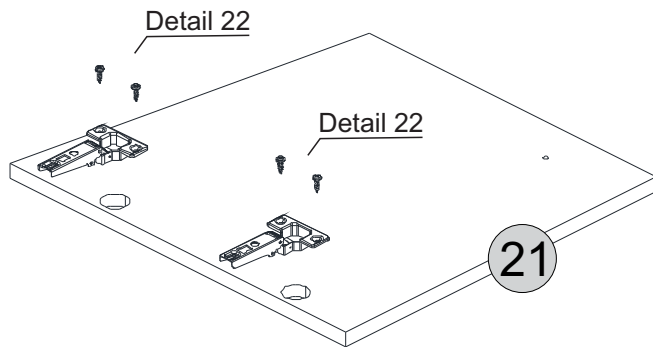
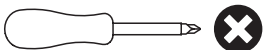
21 - LEFT DOOR x1

HARDWARE REQUIRED

M  04
Ø4,0 x 14mm

S  02

TOOLS REQUIRED




Detail 22

STEP 41

PARTS REQUIRED

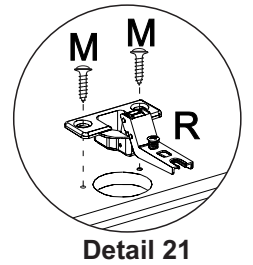
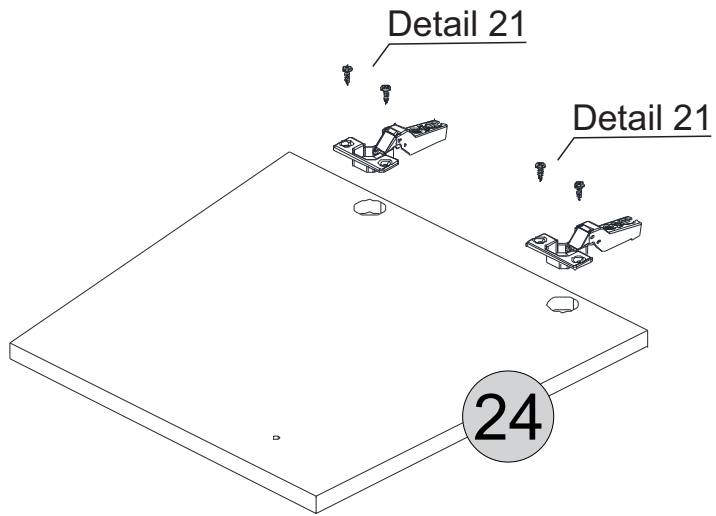
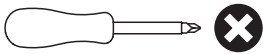
24 - RIGHT DOOR x1

HARDWARE REQUIRED

M  04
Ø4.0 x 14mm

R  02

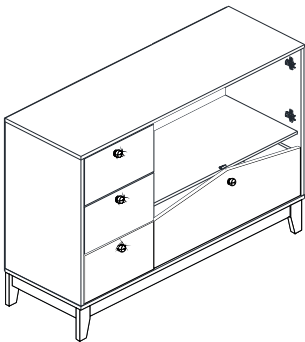
TOOLS REQUIRED



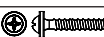
STEP 42

PARTS REQUIRED

24- RIGHT DOOR x1

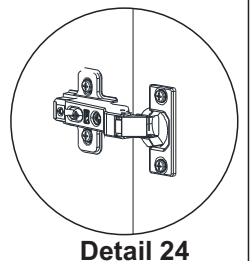
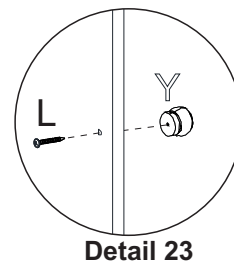
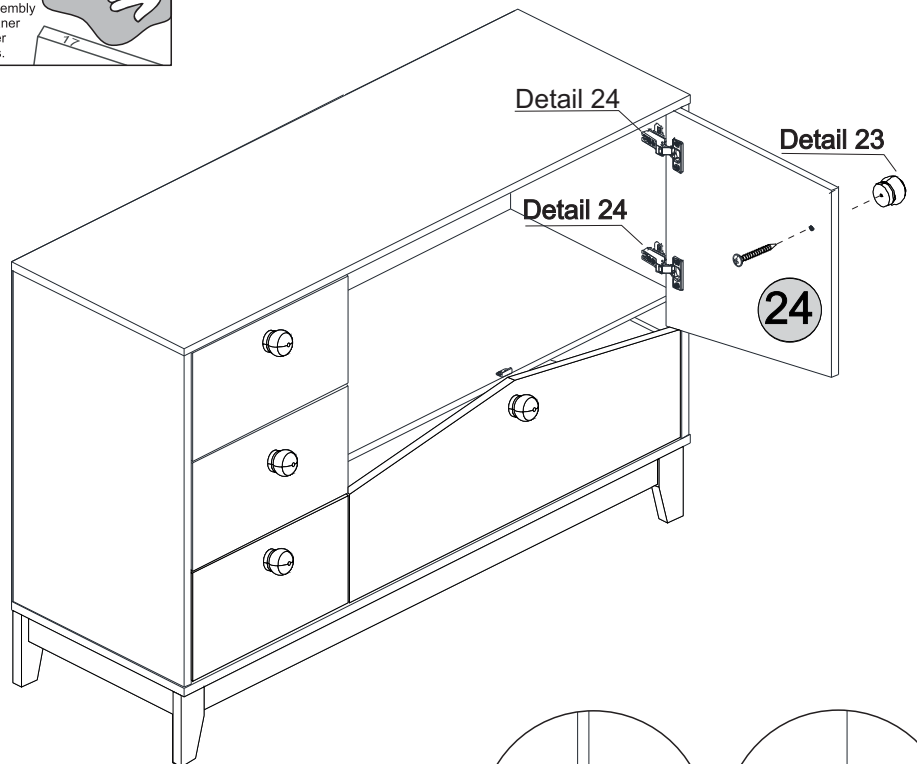
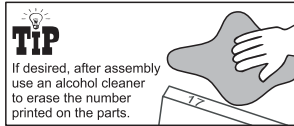
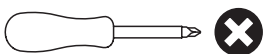


HARDWARE REQUIRED

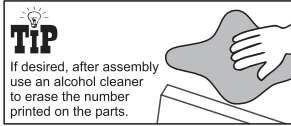
L  01
Ø4.0 x 30mm

Y  01

TOOLS REQUIRED

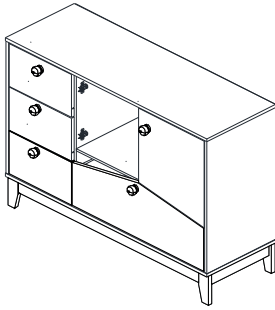


STEP 43



PARTS REQUIRED

21- LEFT DOOR x1

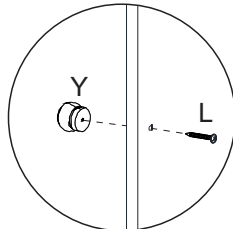
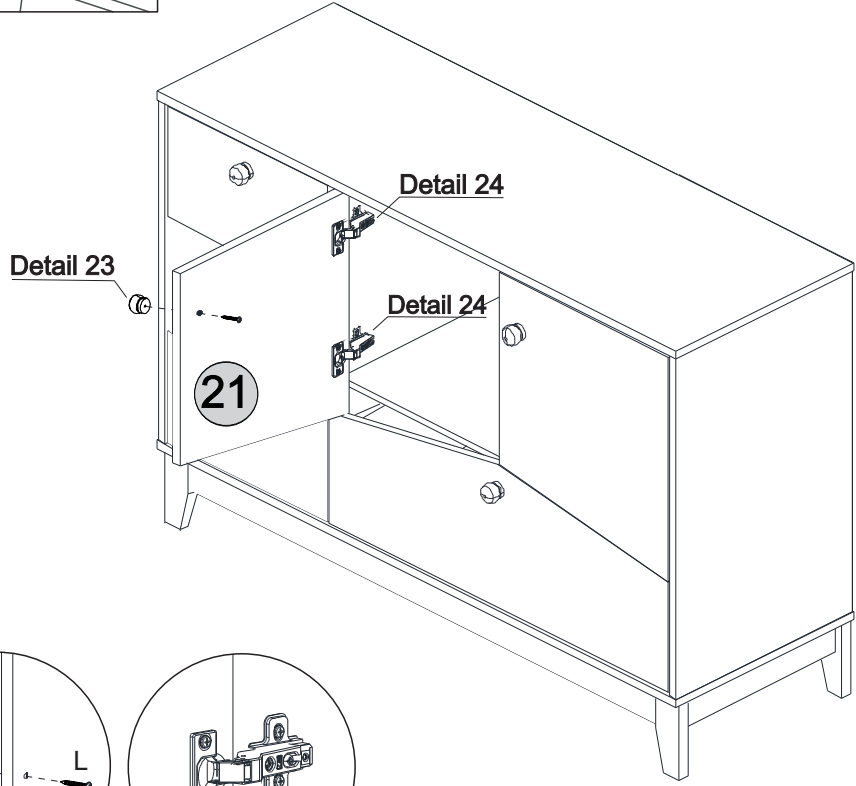
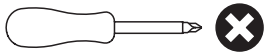


HARDWARE REQUIRED

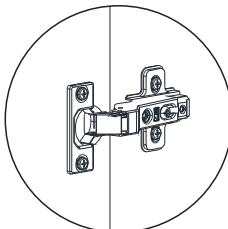
L 01
Ø4,0 x 30mm

Y 01

TOOLS REQUIRED



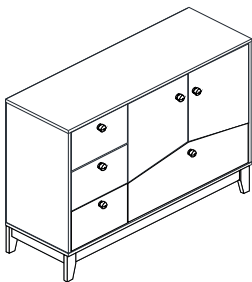
Detail 23



Detail 24

STEP 44

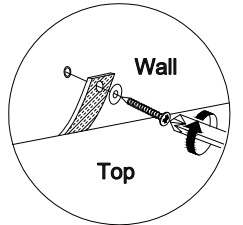
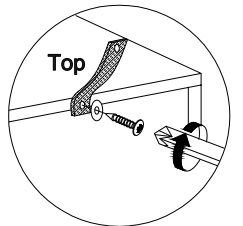
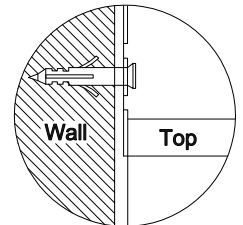
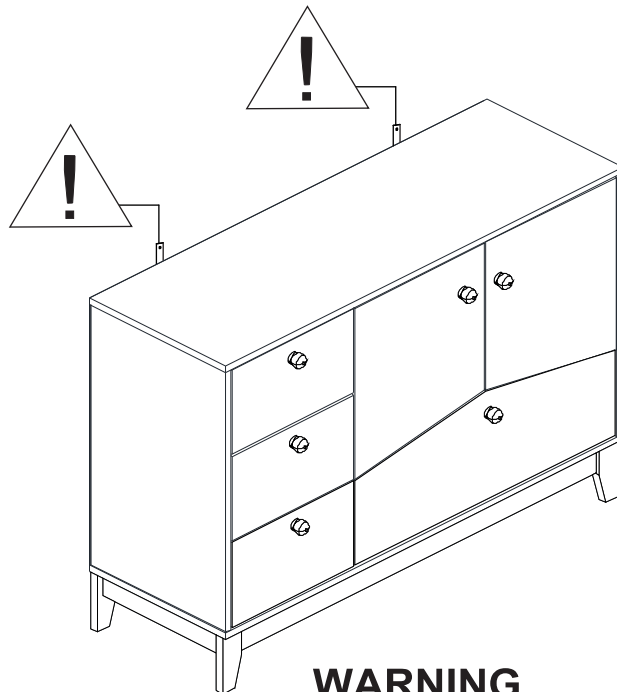
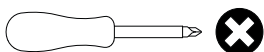
PARTS REQUIRED



HARDWARE REQUIRED

K 02

TOOLS REQUIRED



WARNING

Serious or fatal injuries can occur from furniture tipping over. To prevent the furniture from tipping over we recommend that it is permanently fixed to the wall.

Wall fixings are not supplied with this product as different wall materials require different types of fixing devices. Please make sure you use fixings suitable for the walls in your home.

