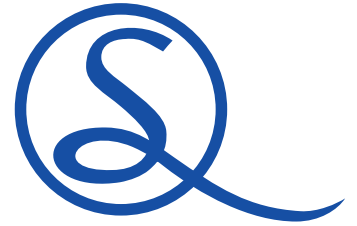
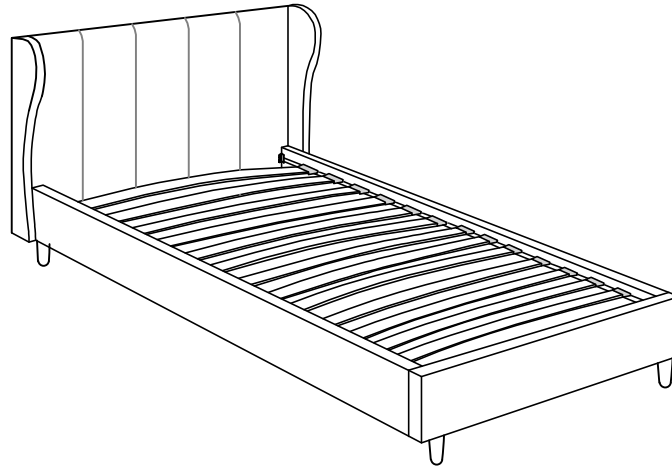


AMELIA 3' BED ASSEMBLY INSTRUCTIONS



**MAX BED
WEIGHT**



FOR DOMESTIC USE ONLY IMPORTANT PLEASE READ BEFORE YOU CONTINUE FURTHER

THE PRODUCT YOU HAVE PURCHASED WILL GIVE YOU MANY YEARS OF SERVICE IF YOU FOLLOW THE GUIDELINES FOR ITS SAFE ASSEMBLY AND PERIODIC MAINTENANCE AND CLEANING.

ASSEMBLE ON A SOFT CLEAN SURFACE.

DO NOT USE ANY TOOLS OTHER THAN THOSE SHOWN.

ANY SPANNERS OR ALLEN KEYS REQUIRED ARE INCLUDED WITH THE FITTINGS KIT.

DO NOT FOR ANY REASON USE A POWER TOOL TO ASSEMBLE THIS PRODUCT . ITS USE WILL INVALIDATE ANY CLAIM YOU MAY HAVE AND COULD MAKE THIS PRODUCT UNSAFE.

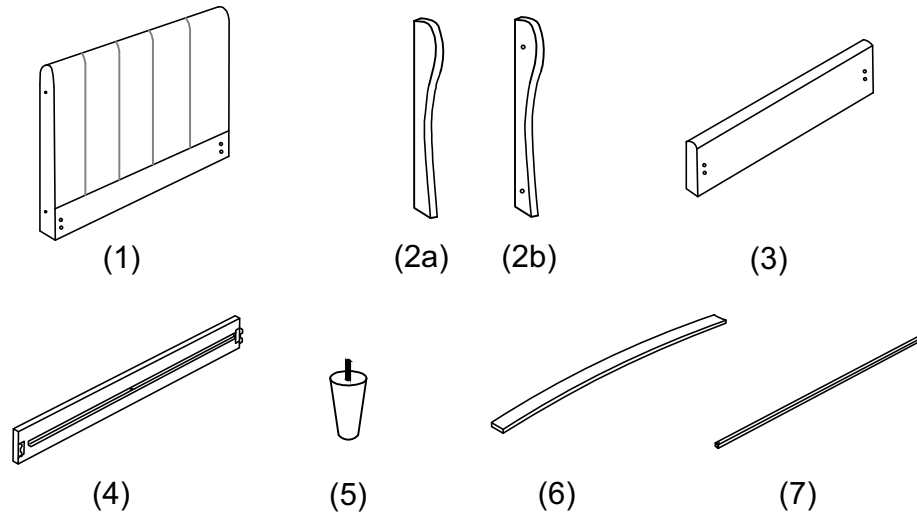
DEPENDING ON THE AMOUNT OF USE THIS PRODUCT RECEIVES IT MAY BE NECESSARY TO TIGHTEN UP THE FIXINGS FROM TIME TO TIME. THIS IS COMPLETELY NORMAL FOR ANY FLAT PACK FURNITURE.

FOR CLEANING YOU MAY USE A DAMP CLOTH(NOT WET). DO NOT USE POLISH,DETERGENT OR CHEMICAL CLEANERS.

THIS PRODUCT MAY STAIN OR MARK IF ALLOWED TO COME INTO CONTACT WITH WET OR DAMP OBJECTS AS MATERIALS USED HAVE NOT BEEN SCOTCH GUARDED.

THE SURFACE OF THIS ITEM IS NOT HEAT RESISTANT, ALWAYS USE A PLACE MAT UNDER **HOT** OR COLD ITEMS. PREVENT MARKING

PARTS LIST



HARDWARE LIST(LOCATED WITHIN CARTON 2)

| | | | |
|---|--|------------------|-------|
| A | | 5/16 X 25MM BOLT | 8 PCS |
| B | | 5/16 X 45MM BOLT | 6 PCS |
| C | | M8 WASHER | 8 PCS |
| D | | ALLEN KEY | 1 PC |
| E | | SPANNER | 1 PC |
| F | | NUT | 2 PCS |

Carton 1

| | | |
|----|-------------|--------|
| 1 | HEADBOARD | 1 PC |
| 2a | LEFT WING | 1 PC |
| 2b | RIGHT WING | 1 PC |
| 3 | FOOTBOARD | 1 PC |
| 5 | WOODEN FEET | 4 PCS |
| 6 | WOODEN SLAT | 13 PCS |

Carton 2

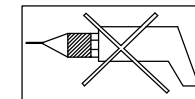
| | | |
|---|-------------------|-------|
| 4 | SIDE RAIL | 2 PCS |
| 7 | CENTRE CROSS RAIL | 1 PC |

CARTON 1

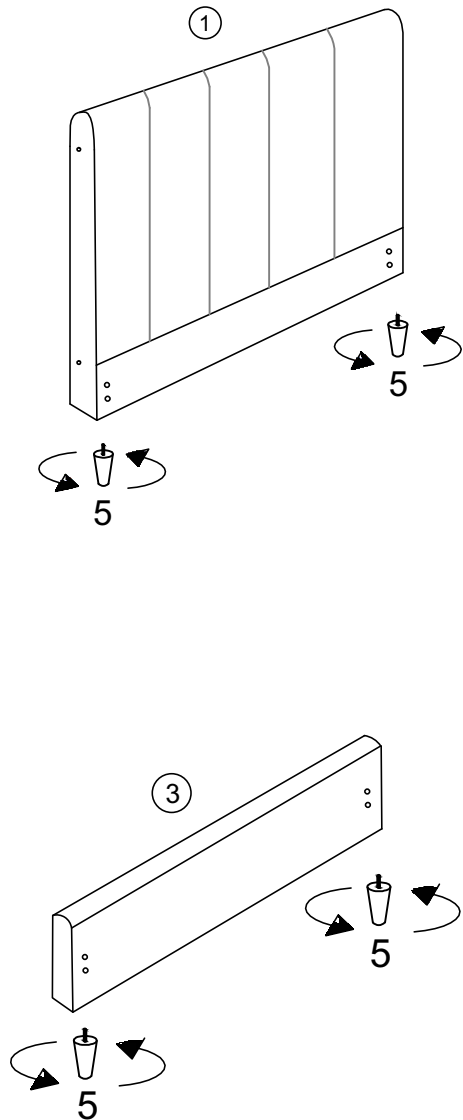
| | | | |
|---|--|-------------|--------|
| G | | PLASTIC CAP | 26 PCS |
|---|--|-------------|--------|

PLEASE CHECK THAT YOU HAVE ALL THE PARTS LISTED BEFORE YOU START ASSEMBLING. IF YOU DO FIND THAT SOMETHING IS MISSING, DO NOT CONTINUE ASSEMBLY. PLEASE CONTACT YOUR SUPPLIER IMMEDIATELY.

USE OF POWER TOOLS TO ASSEMBLE THIS PRODUCT WILL INVALIDATE ANY CLAIM AND DAMAGE THIS PRODUCT MAKING IT UNSAFE.

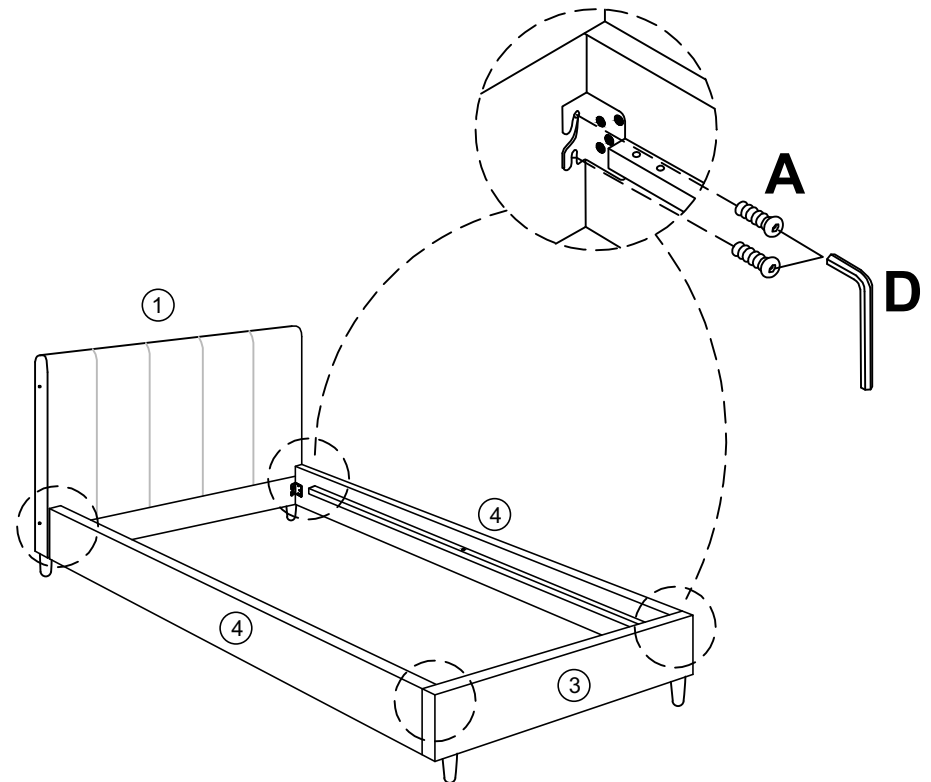


Step 1

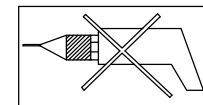


Step 2

 A x 8 PCS





USE OF POWER TOOLS TO ASSEMBLE THIS PRODUCT WILL INVALIDATE ANY CLAIM AND DAMAGE THIS PRODUCT MAKING IT UNSAFE.

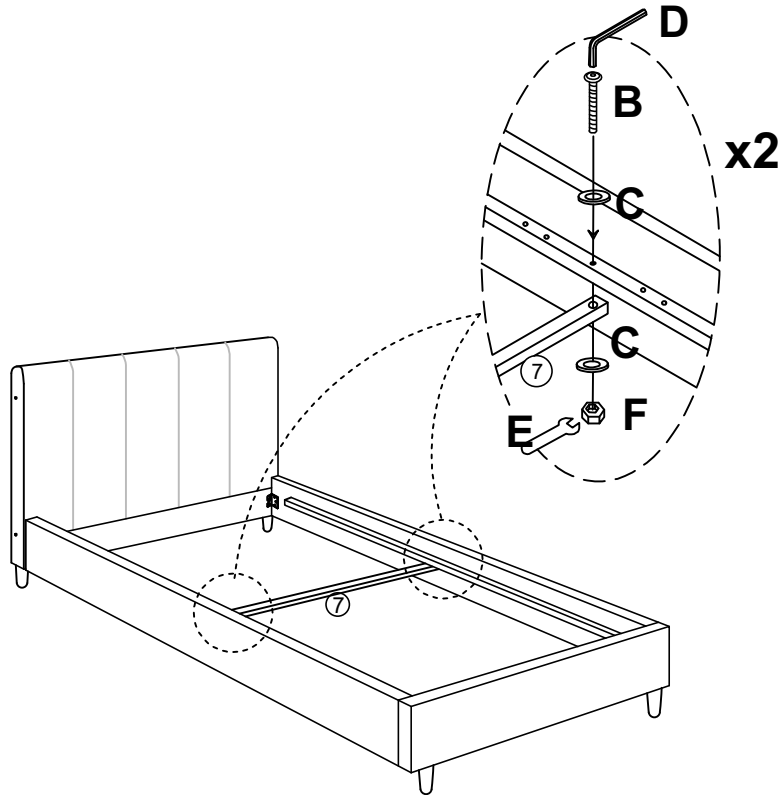


Step 3


 B x 2 PCS

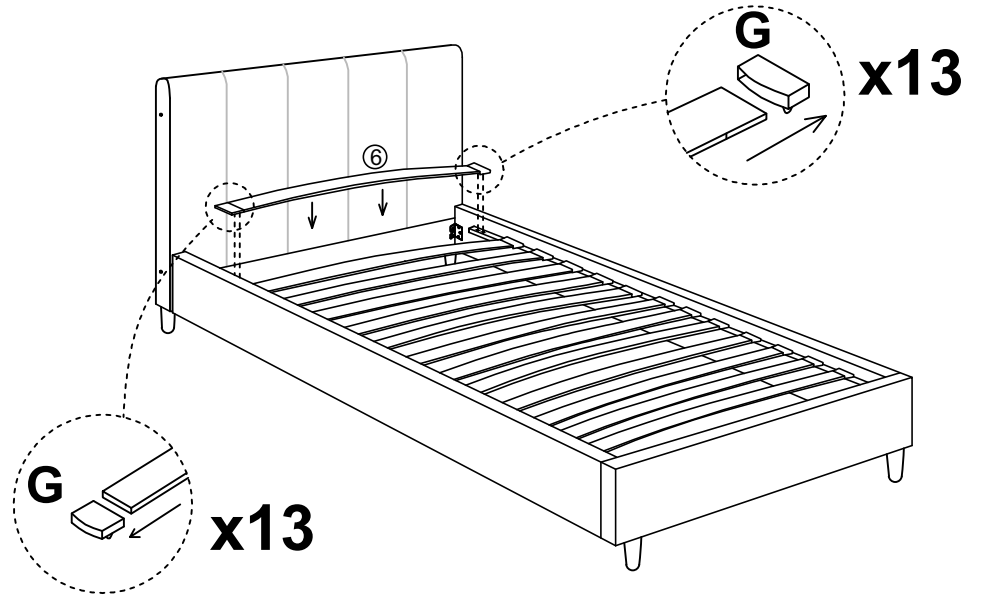
 C x 4 PCS

 F x 2 PCS

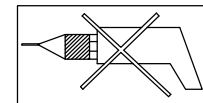


Step 3

 G x 26 PCS



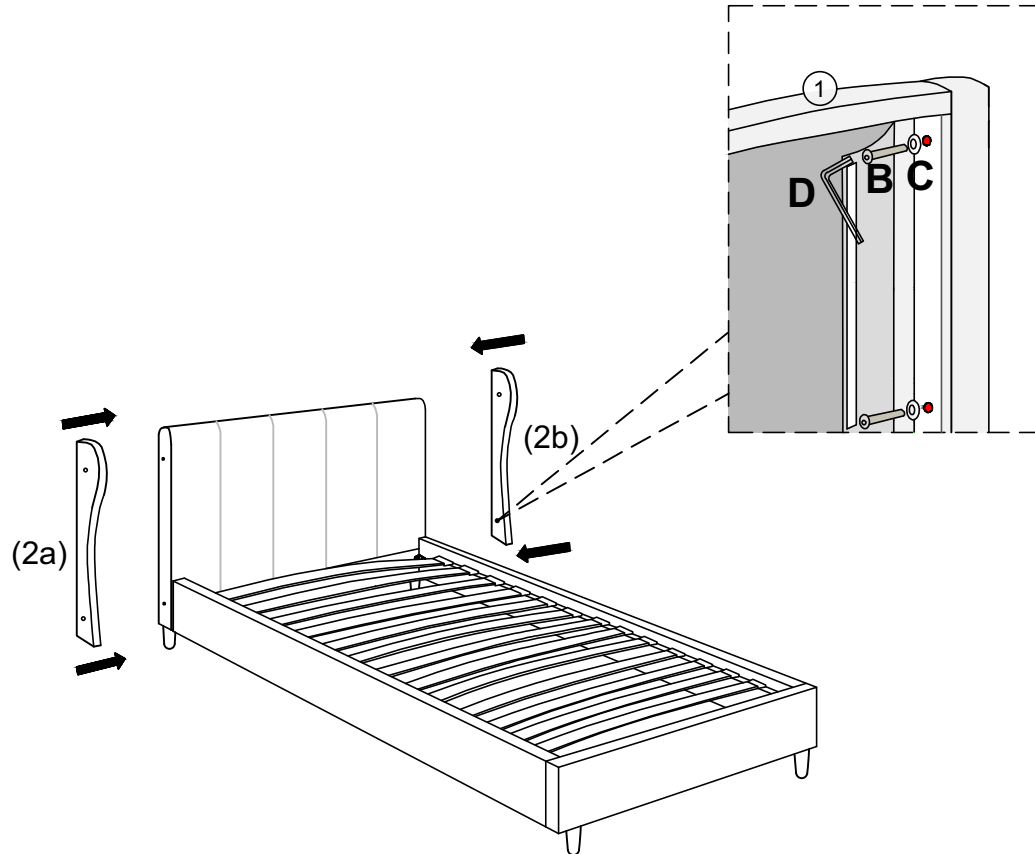
USE OF POWER TOOLS TO ASSEMBLE THIS PRODUCT WILL INVALIDATE ANY CLAIM AND DAMAGE THIS PRODUCT MAKING IT UNSAFE.



Step 5

 B x 4 PCS

 C x 4 PCS



COMPLETED!

USE OF POWER TOOLS TO ASSEMBLE THIS PRODUCT WILL INVALIDATE ANY CLAIM AND DAMAGE THIS PRODUCT MAKING IT UNSAFE.

