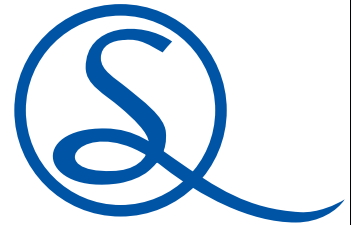
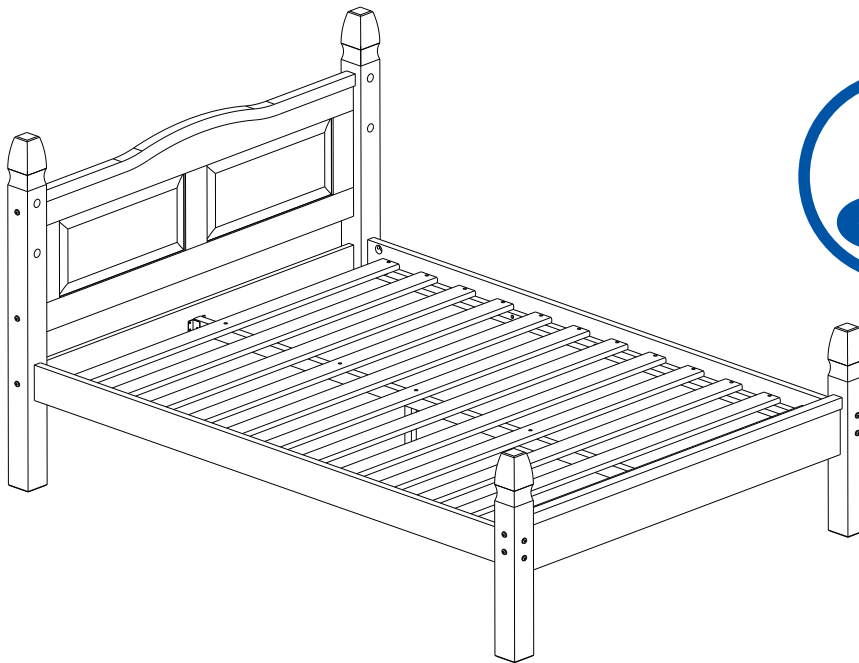
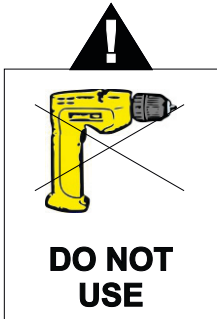


CORONA 4'6" LOW END BED ASSEMBLY INSTRUCTIONS



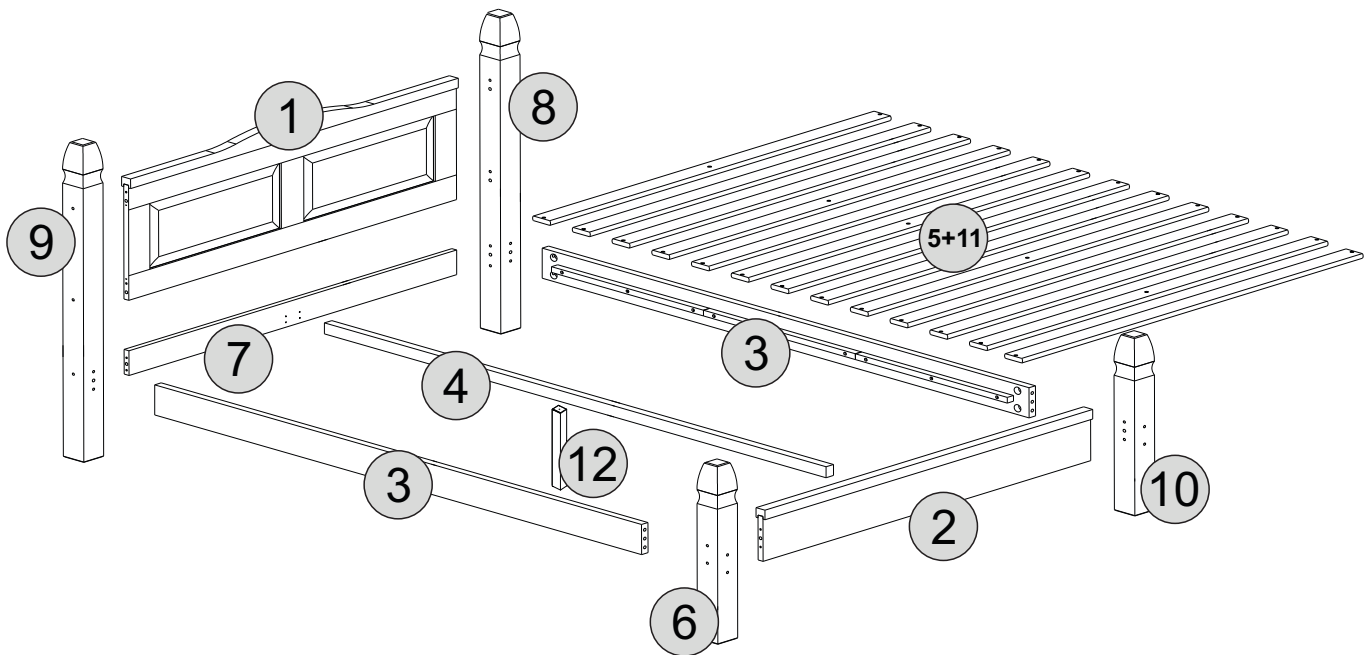
IMPORTANT

PLEASE READ BEFORE YOU CONTINUE FURTHER
FOR DOMESTIC USE ONLY

CARE AND MAINTENANCE

After unpacking this product please keep the original packaging in case it needs to be returned for any reason.

- Please ensure all fittings and parts are present before commencing with assembly.
- We recommend that you lay a blanket or sheet on the floor to avoid damage to both your floor and the product.
- We strongly recommend that you keep children away from your work area.
- Assemble this product as close to its final position as possible.
- Never drag or push products as this could cause damage to the joints making it inferior.
- Do not place this product next to a radiator or in direct sunlight.
- Wood is a natural product and may expand if subjected to damp and may shrink or crack if subjected to heat. Therefore it is recommended that room temperature is maintained, with no sudden temperature fluctuations.
- Make sure any spillage is wiped off immediately.
- Do not place hot or chilled items directly on to the surface, use a place mat or marking will occur.
- For general cleaning use a duster, and do not use detergents of any kind. However, the surface will need to be retreated from time to time. This can be done by using block wax (unperfumed) and rubbing it over the whole item.
- From time to time it may be necessary to tighten fittings, regular inspections should be carried out.



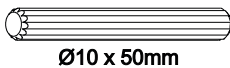

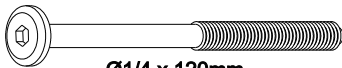

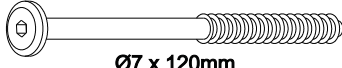
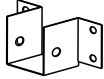
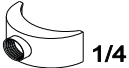




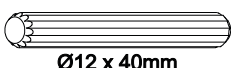
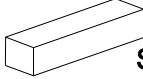

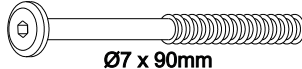
!
 * Use of power tools to assemble this product will invalidate any claim and damage this product making it unsafe !!!
 * Please assemble on a clean soft surface to avoid damage.

!
 * Please check contents and read the instructions before commencing assembly.
 * Assemble this product following the enclosed instructions carefully.
 * Please take care to avoid damaging panels during assembly.

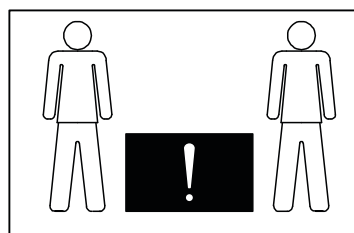
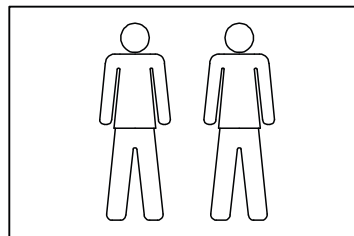
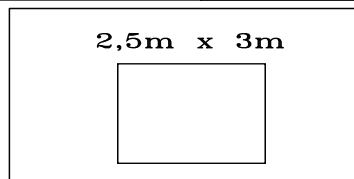
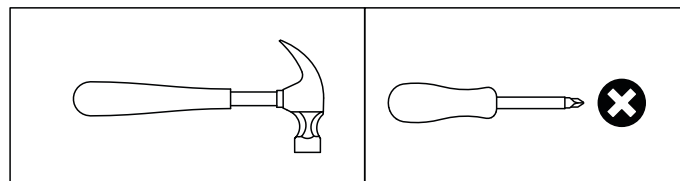
PARTS LIST

Part Number	Part Code	Part Description	Quantity	Carton
1	S200-203-010-LT1-01	Headboard Panel	1	1/3
2	S200-203-010-LT1-02	Footboard Panel	1	1/3
3	S200-203-010-LT1-03	Siderails	2	3/3
4	S200-203-010-LT1-04	Centre Support Rail	1	3/3
5	S200-203-010-LT1-05	Slats (2 holes)	8	2/3
6	S200-203-010-LT1-06	Footboard Left Post	1	2/3
7	S200-203-010-LT1-07	Headboard Crossbeam	1	1/3
8	S200-203-010-LT1-08	Headboard Right Post	1	2/3
9	S200-203-010-LT1-09	Headboard Left Post	1	2/3
10	S200-203-010-LT1-10	Footboard Right Post	1	2/3
11	S200-203-010-LT1-11	Slats (3 holes)	5	2/3
12	S200-203-010-LT1-12	Centre Support Leg	1	2/3

FITTINGS

A	 Ø10 x 50mm	10	H		04
B	 Ø1/4 x 120mm	08	I	 Ø4.0 x 20mm	08
C	 Ø7 x 120mm	10	J		02
D	 1/4	08	K	 Ø1/4 x 60mm	02
E	 Ø3,5 x 30mm	31	L	 1/4	02
F		01	M	 Ø12 x 40mm	04
G	 SPACER	02	N		01
			O	 Ø7 x 90mm	01

TOOLS REQUIRED

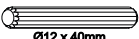


STEP 1

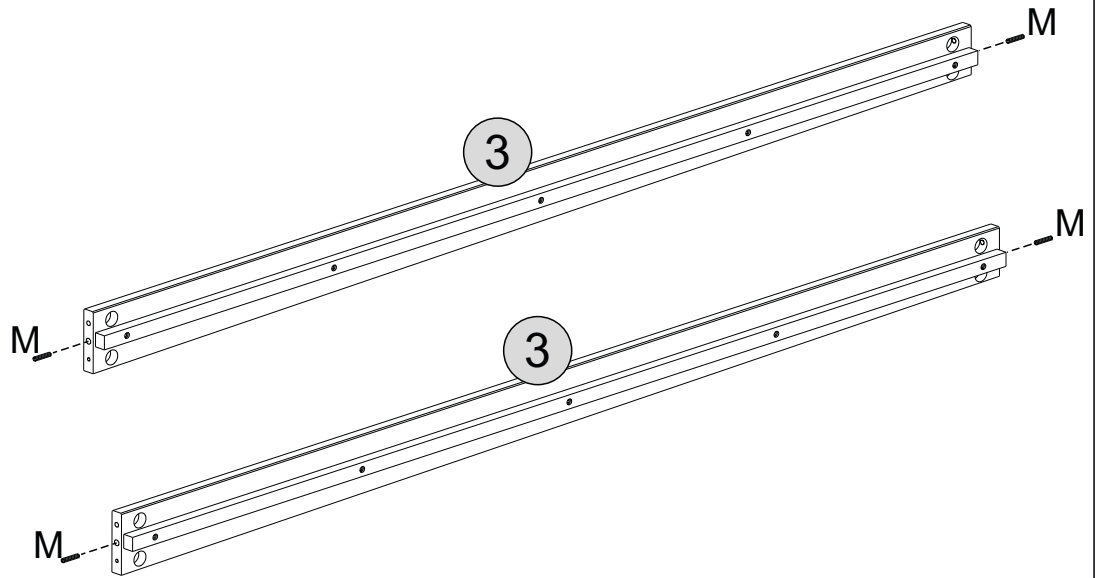
PARTS REQUIRED

3 - SIDERAIL x2

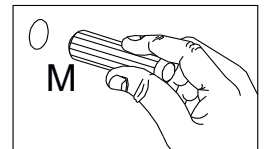
HARDWARE REQUIRED

M  04
Ø12 x 40mm

TOOLS REQUIRED



 Please assemble on a clean soft surface to avoid damage.



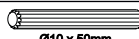
STEP 2


PARTS REQUIRED

1 - HEADBOARD PANEL x1

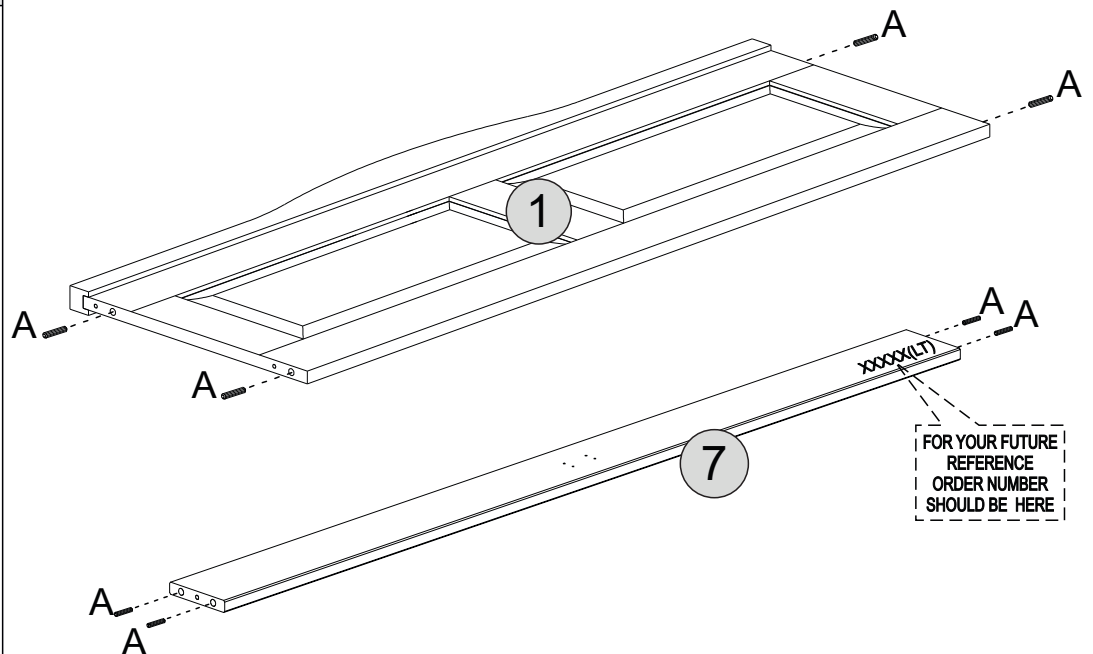
7 - CROSSBEAM x1

HARDWARE REQUIRED

A  08
Ø10 x 50mm

N  01

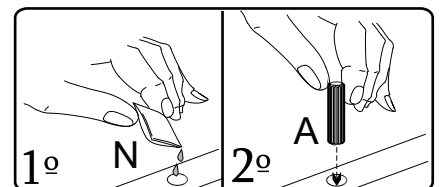
TOOLS REQUIRED



FOR YOUR FUTURE REFERENCE ORDER NUMBER SHOULD BE HERE

 Please assemble on a clean soft surface to avoid damage.

 Glue must be added to the dowel holes on parts 1 and 7.




STEP 3

PARTS REQUIRED

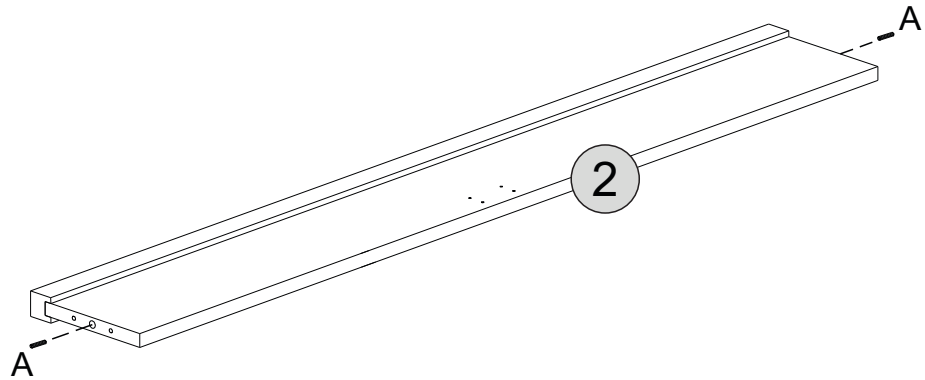
2 - FOOTBOARD PANEL x1

HARDWARE REQUIRED


A  02
Ø10 x 50mm

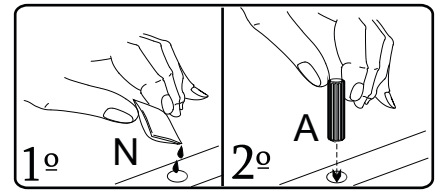
N  01

TOOLS REQUIRED




Please assemble on a clean soft surface to avoid damage.


Glue must be added to the dowel holes on part 2.



STEP 4

PARTS REQUIRED


1 - HEADBOARD PANEL x1

7 - HEADBOARD CROSSBEAM x1

8 - HEADBOARD RIGHT POST x1

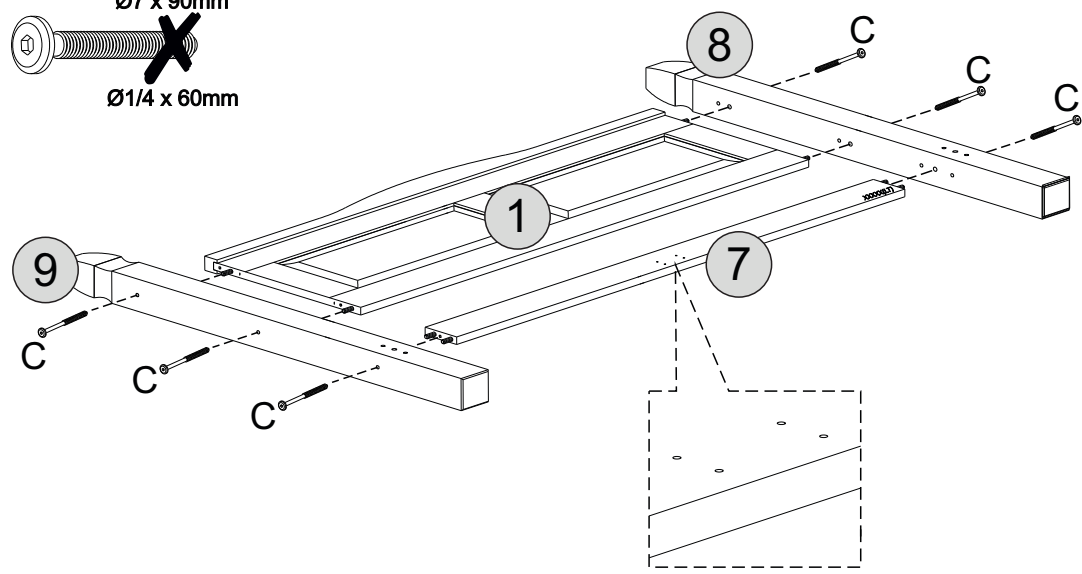
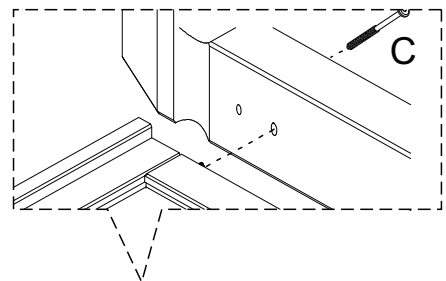
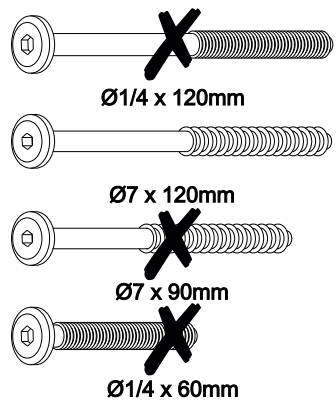
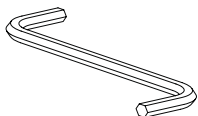
9 - HEADBOARD LEFT POST x1

HARDWARE REQUIRED


C  06
Ø7 x 120mm

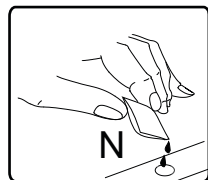
N  01

TOOLS REQUIRED




Please assemble on a clean soft surface to avoid damage.


Glue must be added to the dowel holes on part 8 and 9.

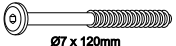



STEP 5

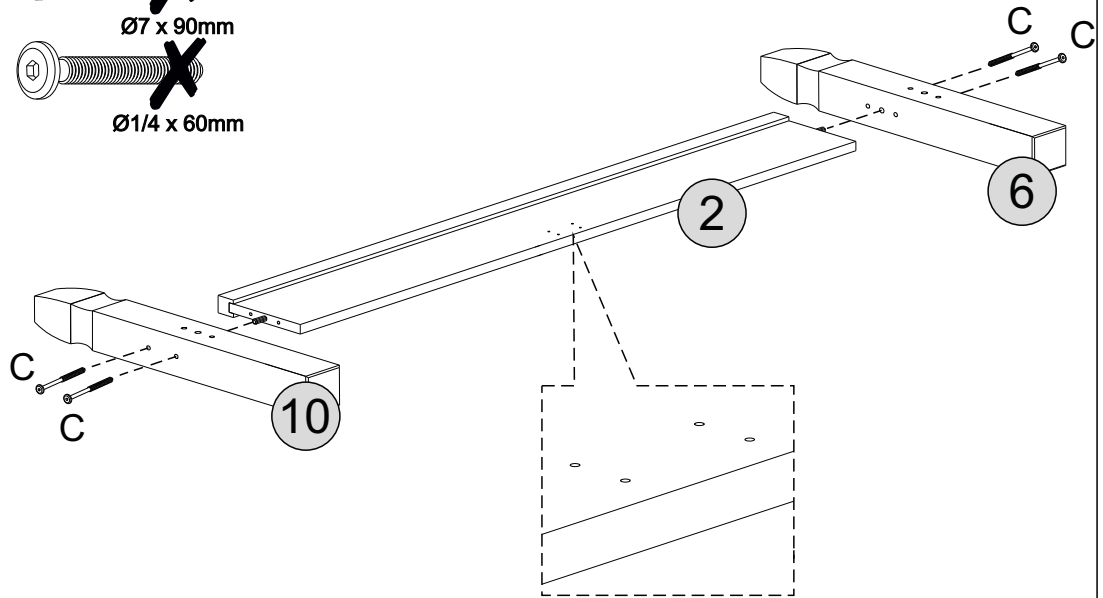
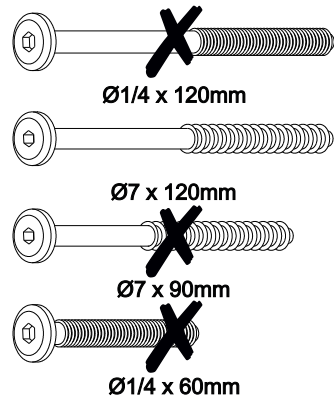
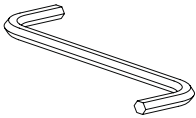
PARTS REQUIRED

- 2 - FOOTBOARD PANEL x1
- 6 - FOOTBOARD LEFT POST x1
- 10 - FOOTBOARD RIGHT POST x1

HARDWARE REQUIRED

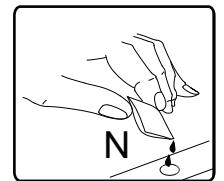
- C  04
Ø7 x 120mm
- N  01

TOOLS REQUIRED



! Please assemble on a clean soft surface to avoid damage.

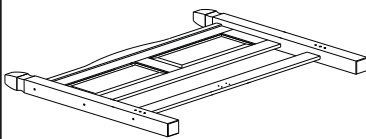
! Glue must be added to the dowel holes on part 6 and 10.



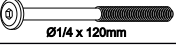

STEP 6

PARTS REQUIRED

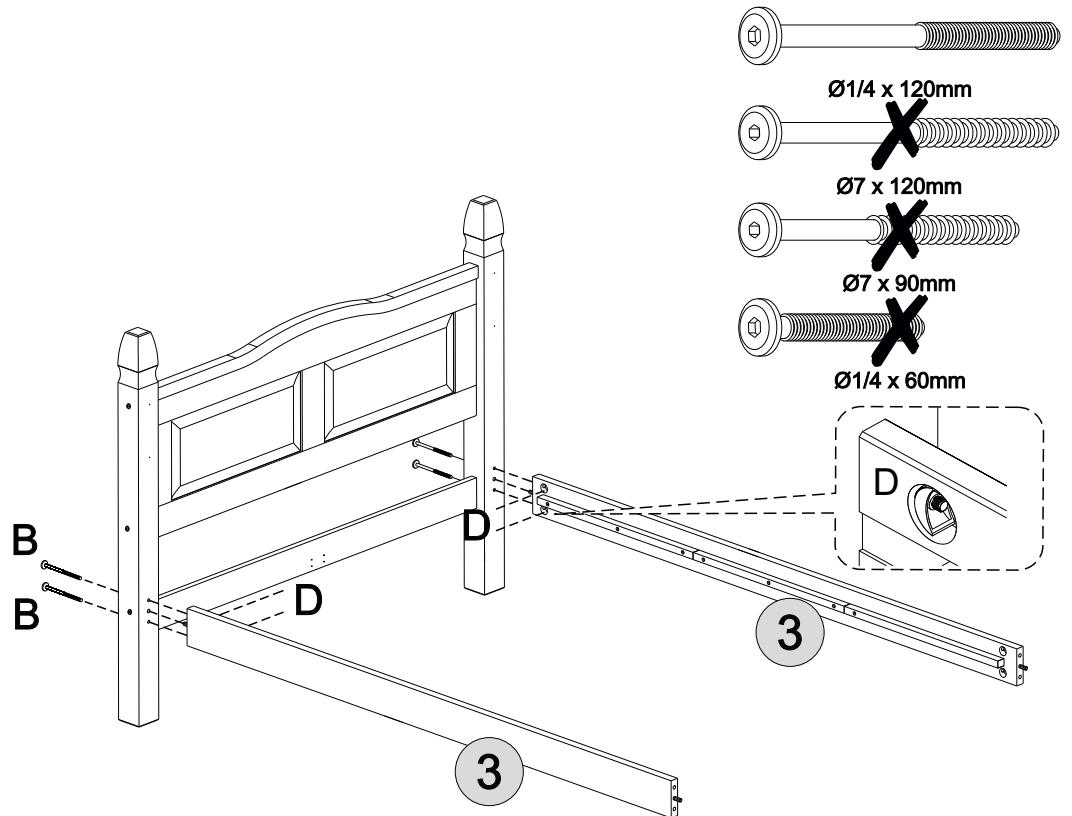
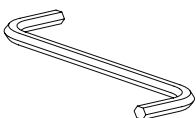
- 3 - SIDERAIL x2



HARDWARE REQUIRED

- B  04
Ø1/4 x 120mm
- D  1/4 04

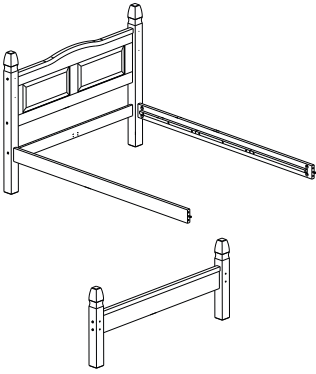
TOOLS REQUIRED



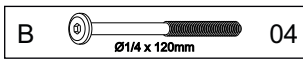
! Please assemble on a clean soft surface to avoid damage.

STEP 7

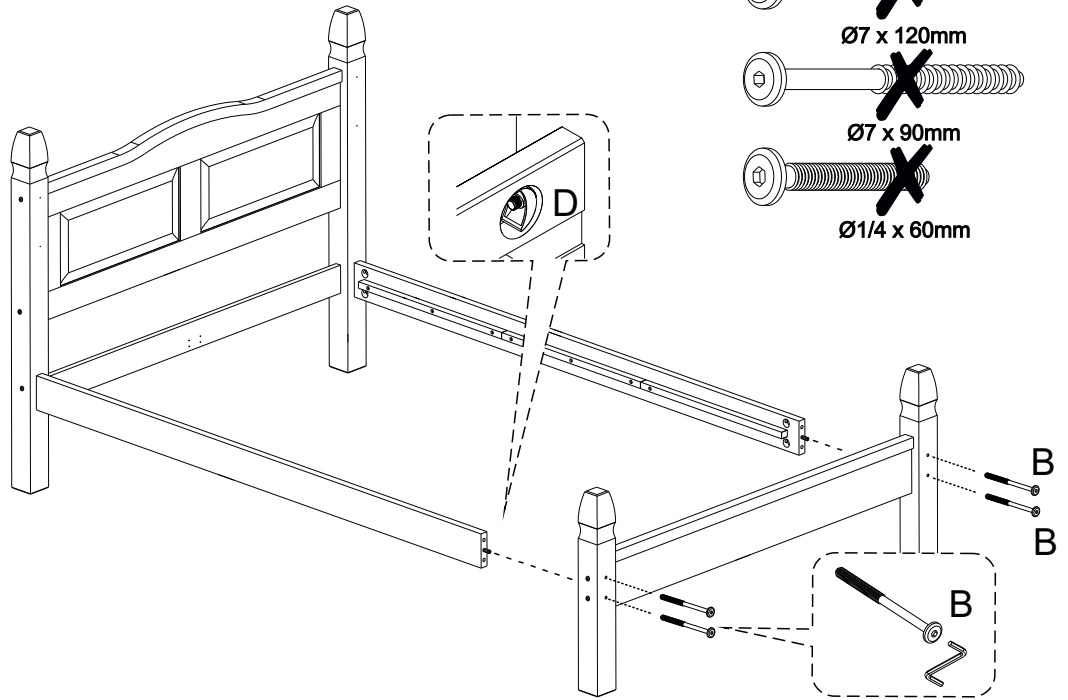
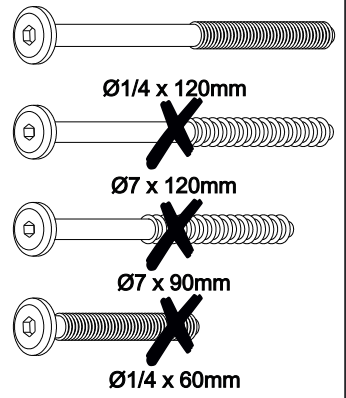
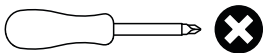
PARTS REQUIRED



HARDWARE REQUIRED

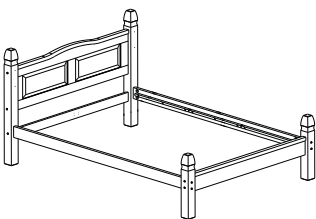


TOOLS REQUIRED

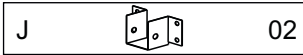
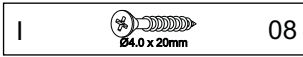


STEP 8

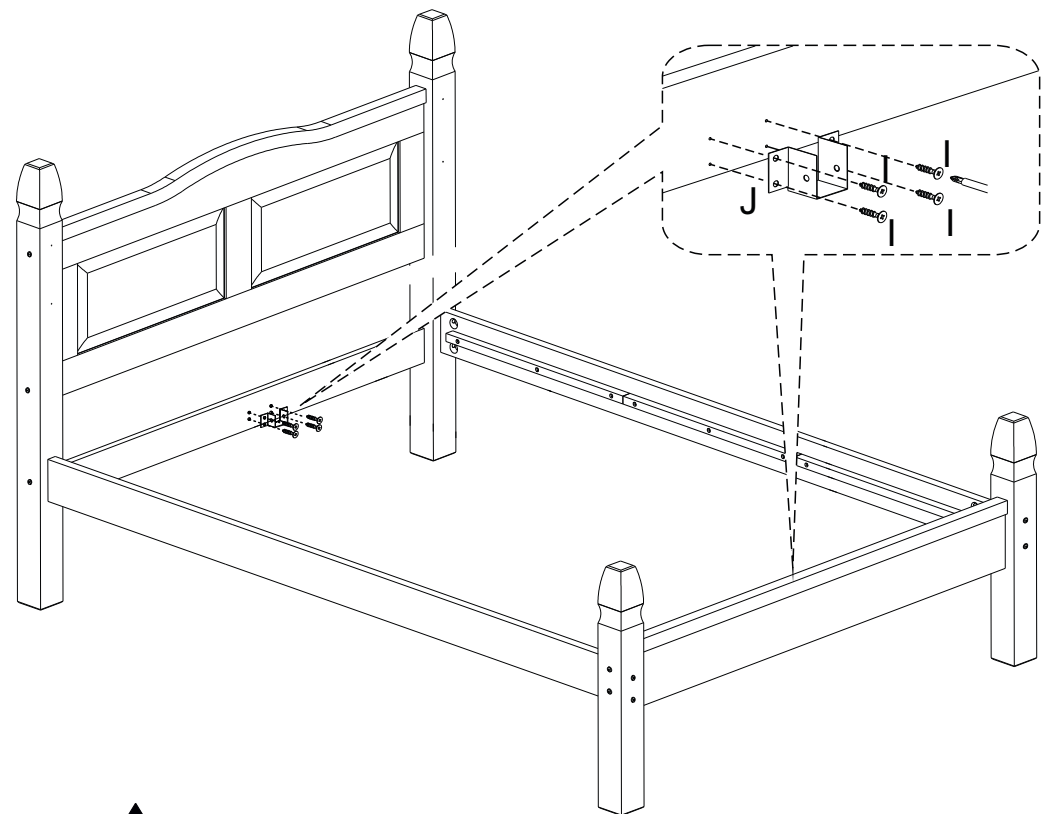
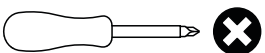
PARTS REQUIRED



HARDWARE REQUIRED



TOOLS REQUIRED

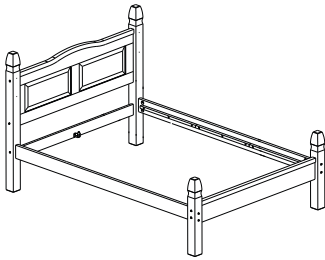


Please assemble on a clean soft surface to avoid damage.

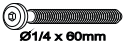


STEP 9

PARTS REQUIRED

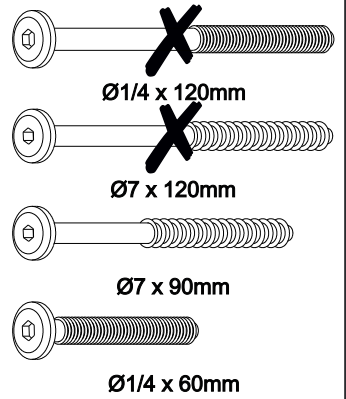
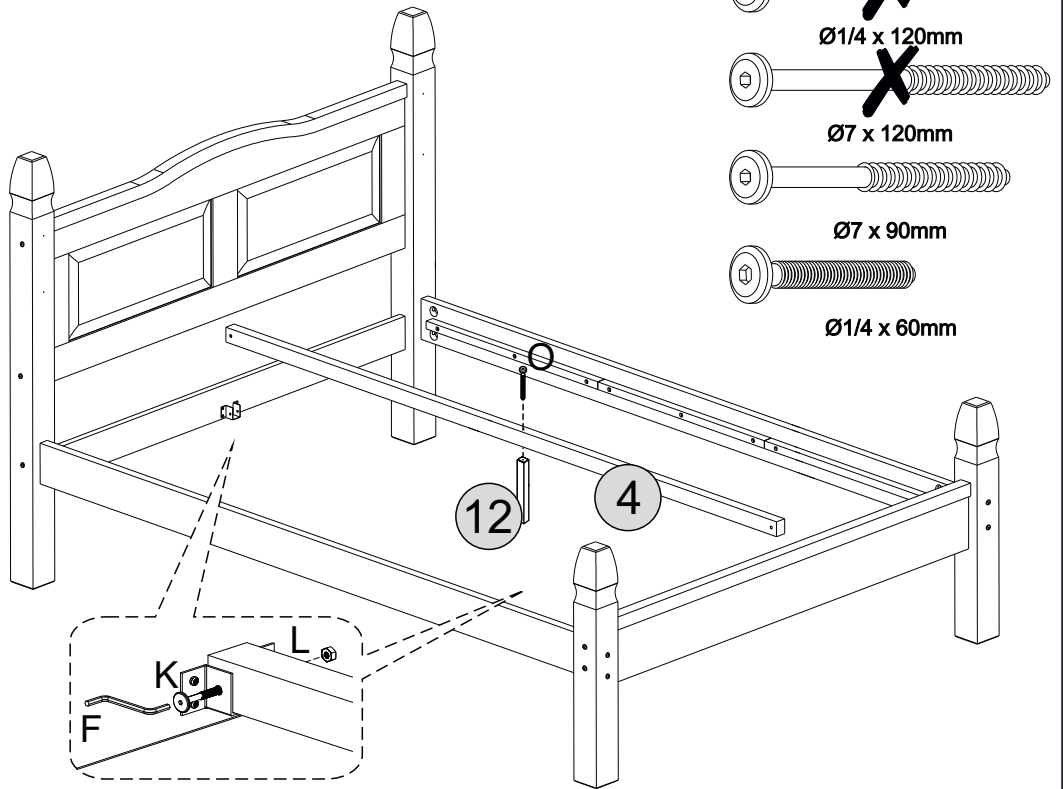
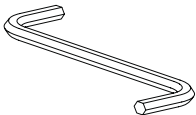
- 04 - CENTRE SUPPORT RAIL x1
- 12 - CENTRE SUPPORT LEG x1



HARDWARE REQUIRED

- K  02
Ø1/4 x 90mm
- L  02
1/4
- O  01
Ø7 x 90mm

TOOLS REQUIRED

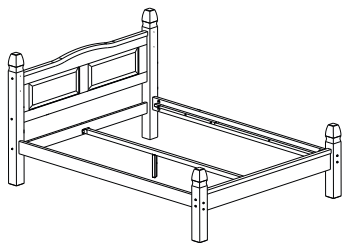


!
Please assemble on a clean soft surface to avoid damage.

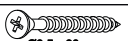
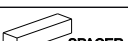
STEP 10

PARTS REQUIRED

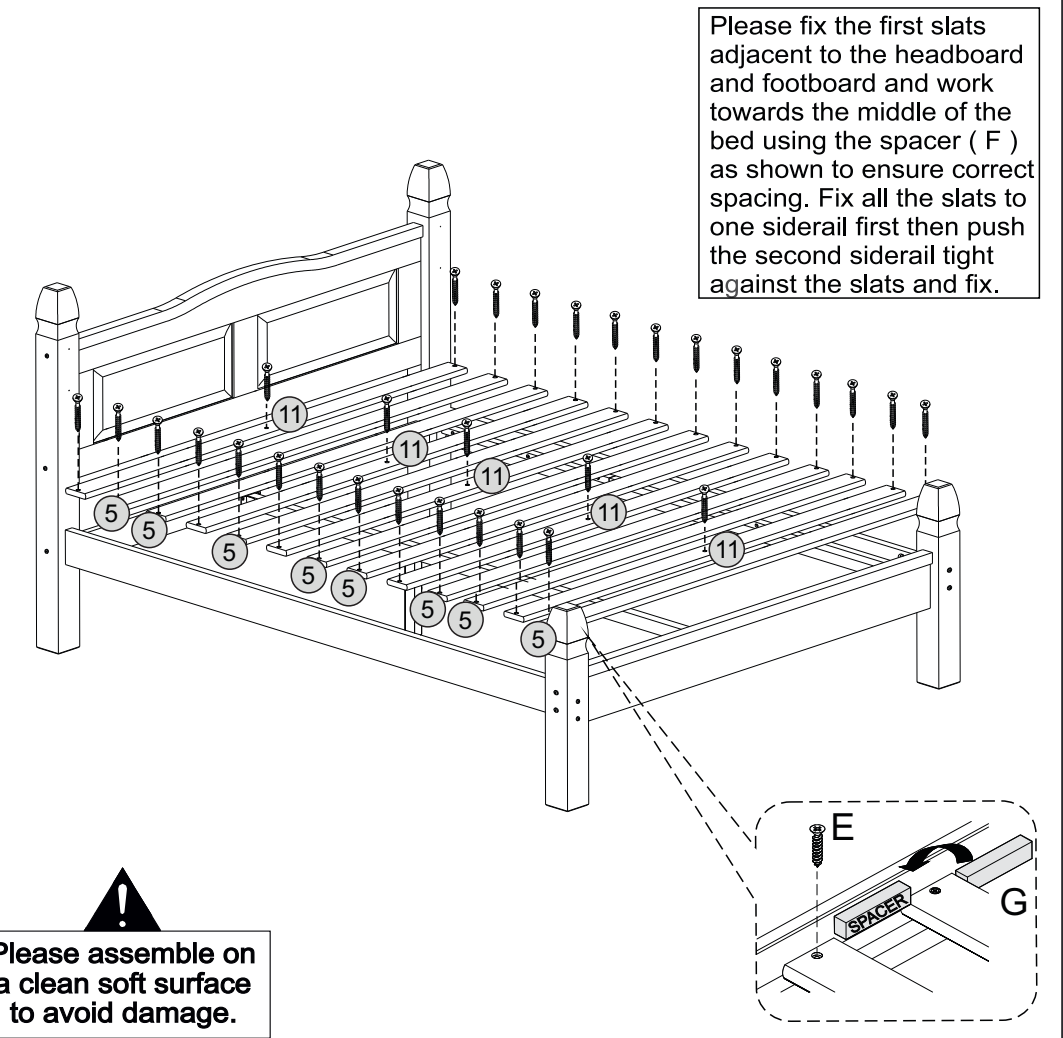
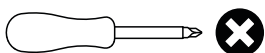
- 5 - SLATS (2 HOLES) x8
- 11 - SLATS (3 HOLES) x5



HARDWARE REQUIRED

- E  31
Ø3,5 x 30mm
- G  02
SPACER

TOOLS REQUIRED

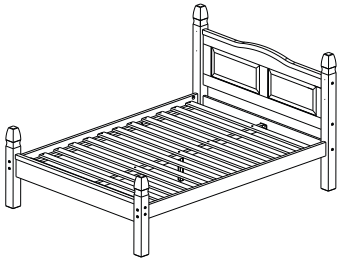


Please fix the first slats adjacent to the headboard and footboard and work towards the middle of the bed using the spacer (F) as shown to ensure correct spacing. Fix all the slats to one siderail first then push the second siderail tight against the slats and fix.

!
Please assemble on a clean soft surface to avoid damage.

STEP 11

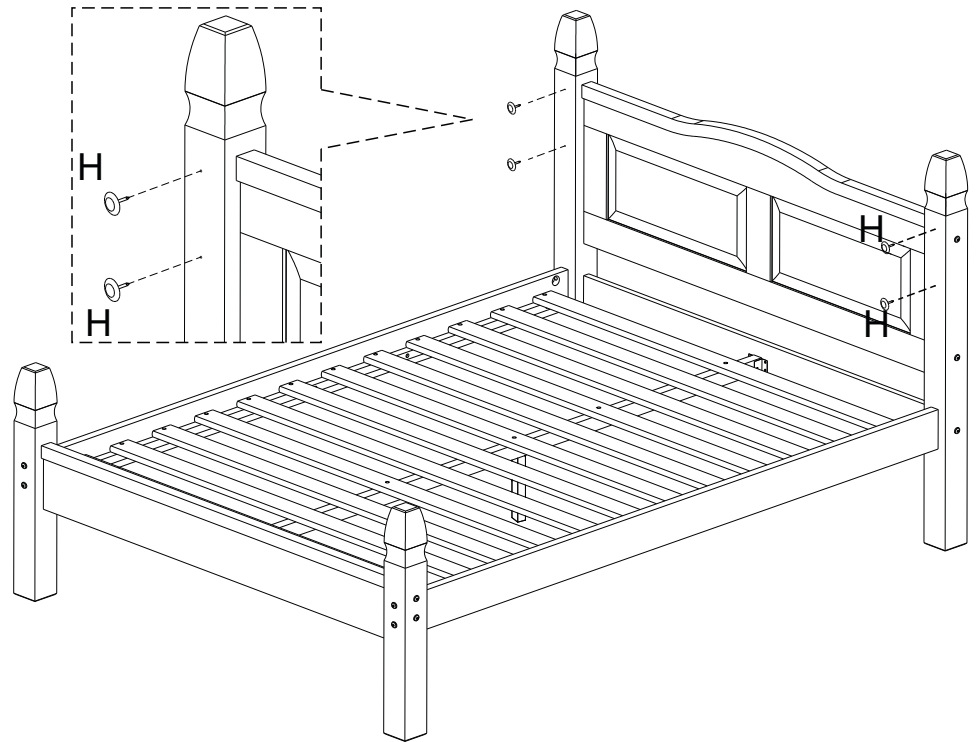
PARTS REQUIRED



HARDWARE REQUIRED



TOOLS REQUIRED



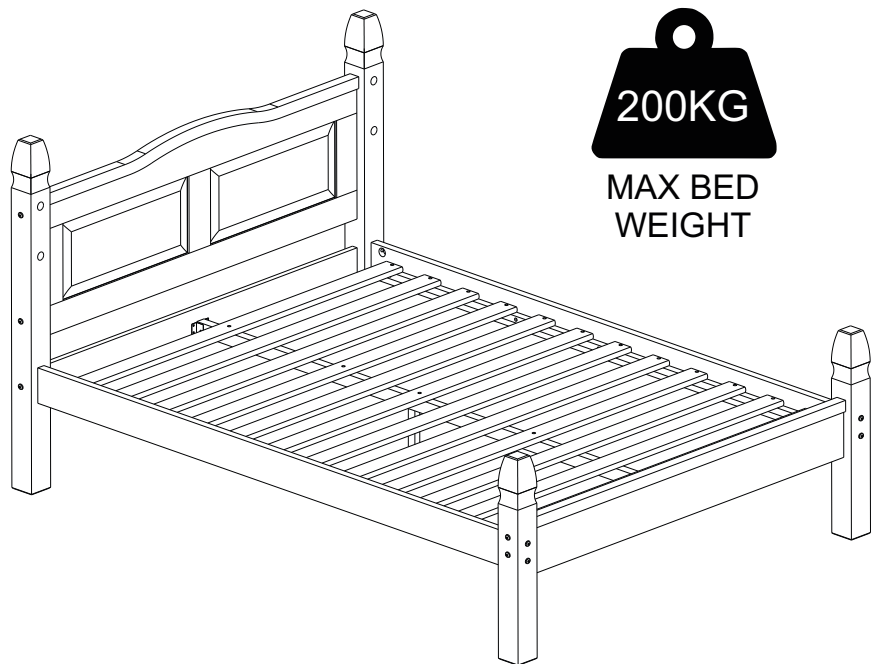
Please assemble on a clean soft surface to avoid damage.

STEP 12

PARTS REQUIRED

HARDWARE REQUIRED

TOOLS REQUIRED



200KG

MAX BED WEIGHT