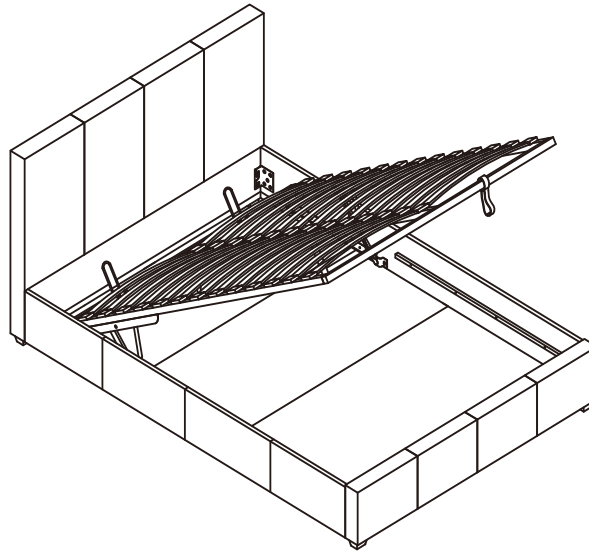


PRADO PLUS 4'6" BED ASSEMBLY INSTRUCTIONS



FOR DOMESTIC USE ONLY **IMPORTANT**

PLEASE READ BEFORE YOU CONTINUE FURTHER

THE PRODUCT YOU HAVE PURCHASED WILL GIVE YOU MANY YEARS OF SERVICE IF YOU FOLLOW THE GUIDELINES FOR ITS SAFE ASSEMBLY AND PERIODIC MAINTENANCE AND CLEANING.

ASSEMBLE ON A SOFT CLEAN SURFACE.

DO NOT USE ANY TOOLS OTHER THAN THOSE SHOWN.

ANY SPANNERS OR ALLEN KEYS REQUIRED ARE INCLUDED WITH THE FITTINGS KIT.

DO NOT FOR ANY REASON USE A POWER TOOL TO ASSEMBLE THIS PRODUCT. ITS USE WILL INVALIDATE ANY CLAIM YOU MAY HAVE AND COULD MAKE THIS PRODUCT UNSAFE.

DEPENDING ON THE AMOUNT OF USE THIS PRODUCT RECEIVES IT MAY BE NECESSARY TO TIGHTEN UP THE FIXINGS FROM TIME TO TIME. THIS IS COMPLETELY NORMAL FOR ANY FLAT PACK FURNITURE.

DO NOT OVERTIGHTEN FIXINGS.

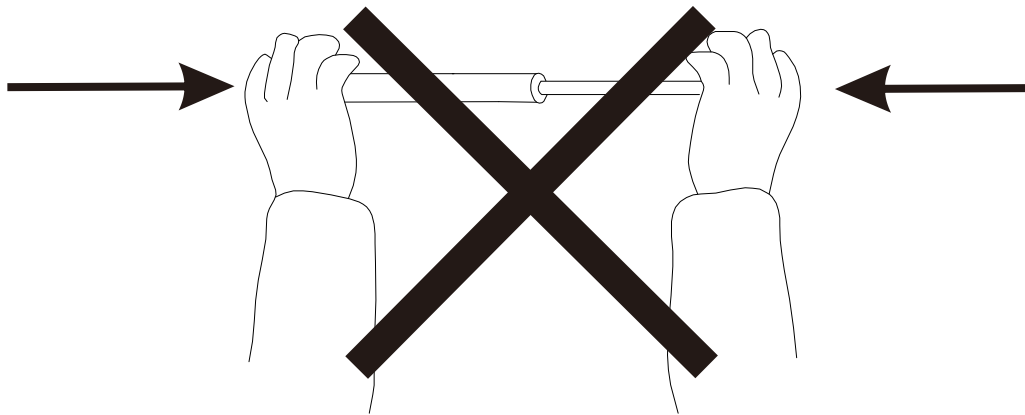
FOR CLEANING, YOU MAY USE A DAMP CLOTH (NOT WET) DO NOT USE POLISH, DETERGENT OR CHEMICAL CLEANERS

THIS PRODUCT MAY STAIN OR MARK IF ALLOWED TO COME INTO CONTACT WITH WET OR DAMP OBJECTS AS MATERIALS USED HAVE NOT BEEN SCOTCH GUARDED.

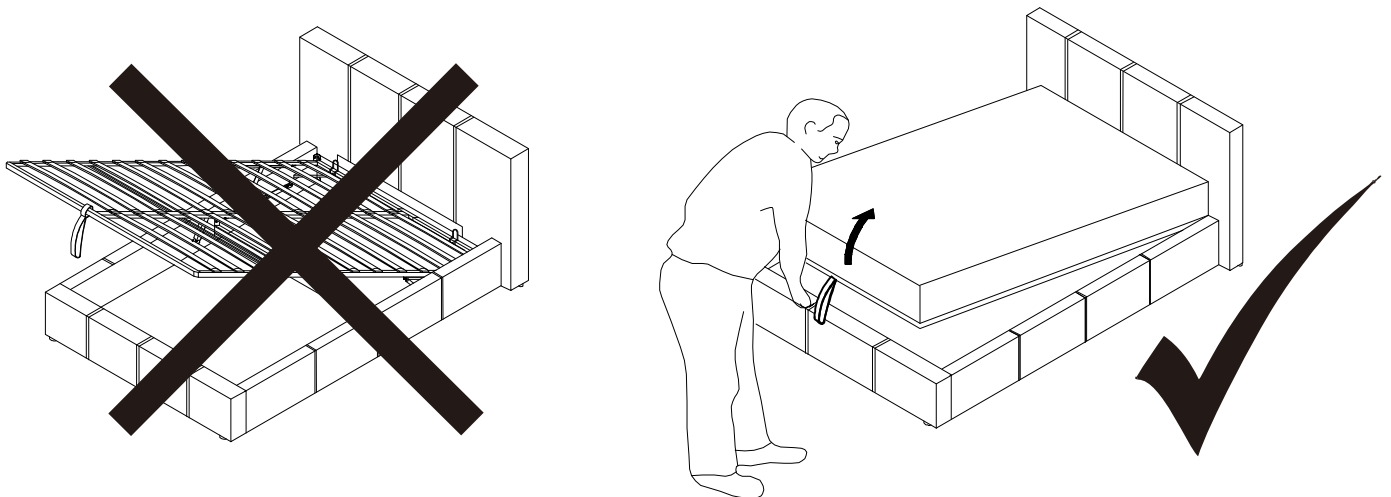
THE SURFACE OF THIS ITEM IS NOT HEAT RESISTANT. ALWAYS USE A PLACE MAT UNDER HOT OR COLD ITEMS TO PREVENT MARKING.

Important information!

The gas lifts used in the construction of this product are extremely strong and cannot be operated by hand when not fitted to the ottoman hinges. All gas lifts are tested in the factory for correct pressure and operation before use.



You must ensure the **MATTRESS** is on the bed frame before lifting the mechanism.
FAILURE TO DO SO MAY RESULT IN INJURY.

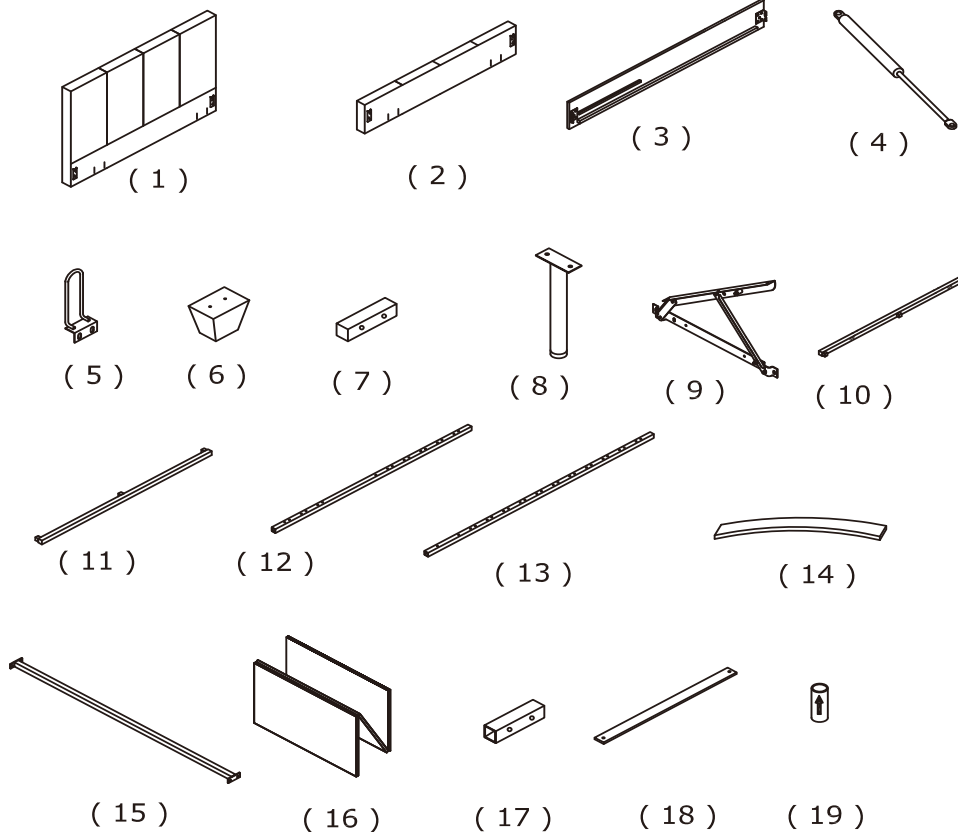


Initially it might appear that the gas lifts are very stiff when opening and closing the ottoman frame, **THIS IS NORMAL.**

After operating the ottoman a few times, the movement of the gas lifts and the opening and closing of the ottoman will become easier.

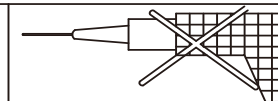
PLEASE CHECK THAT YOU HAVE ALL THE PARTS LISTED BEFORE YOU START ASSEMBLING.
 IF YOU DO FIND THAT SOMETHING IS MISSING, DO NOT CONTINUE ASSEMBLY.
 PLEASE CONTACT YOUR SUPPLIER IMMEDIATELY.

PARTS LIST

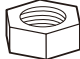






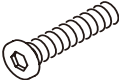

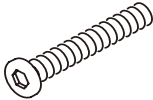









1	HEADBOARD	1 PC
2	FOOTBOARD	1 PC
3	SIDE RAIL LEFT & RIGHT PANEL	2 PCS
4	GAS LIFT	2 PCS
5	MATTRESS SUPPORT	2 PCS
6	WOODEN LEG	4 PCS
7	BASE SUPPORT	1 PC
8	LONG SUPPORT LEG	2 PCS
9	HINGE LEFT & RIGHT	2 PCS
10	BACK TUBE	1 PC
11	FRONT TUBE	1 PC
12	SIDE TUBE	2 PCS
13	CENTRE RAIL	1 PC
14	WOODEN SLAT	26 PCS
15	BOTTOM CENTRE RAIL	1 PC
16	STORAGE PANEL	1 PC
17	STORAGE BASE SUPPORT	4 PCS
18	SUPPORT RAIL	2 PCS
19	SHORT SUPPORT LEG	2 PCS

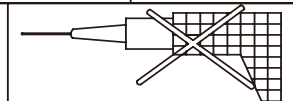
THE USE OF POWER TOOLS TO ASSEMBLE THIS PRODUCT WILL INVALIDATE ANY CLAIM AND MAY DAMAGE THIS PRODUCT MAKING IT UNSAFE



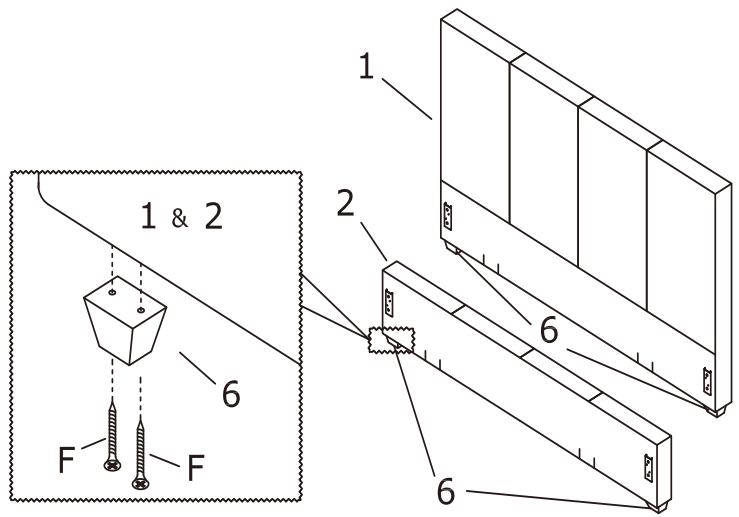
PLEASE CHECK THAT YOU HAVE ALL THE PARTS LISTED BEFORE YOU START ASSEMBLING.
IF YOU DO FIND THAT SOMETHING IS MISSING, DO NOT CONTINUE ASSEMBLY.
PLEASE CONTACT YOUR SUPPLIER IMMEDIATELY.

HARDWARE LIST				I		NUT	4 PCS
A		PLASTIC END CAP	26 PCS	J		Ø8 MM WASHER	12 PCS
B		PLASTIC CENTRE CAP	13 PCS	K		BASE LIFT STRAP	1 PC
C		Ø6 x 15MM ALLEN BOLT	26 PCS	L		PLASTIC FOOT ADJUSTER	2 PCS
D		Ø8 x 25MM ALLEN BOLT	14 PCS	M		Ø6 x 38MM ALLEN BOLT	2 PCS
E		Ø8 x 45MM ALLEN BOLT	2 PCS	N		M6 x 19MM SCREW	4 PCS
F		M4 x 45MM WOOD SCREW	16 PCS	O		Ø6MM WASHER	4 PCS
G		M5 ALLEN KEY	1 PC	P		PLASTIC CAP	2 PCS
H		M4 ALLEN KEY	1 PC	Q		SPANNER	1 PC

THE USE OF POWER TOOLS TO ASSEMBLE THIS PRODUCT WILL INVALIDATE ANY CLAIM AND MAY DAMAGE THIS PRODUCT MAKING IT UNSAFE



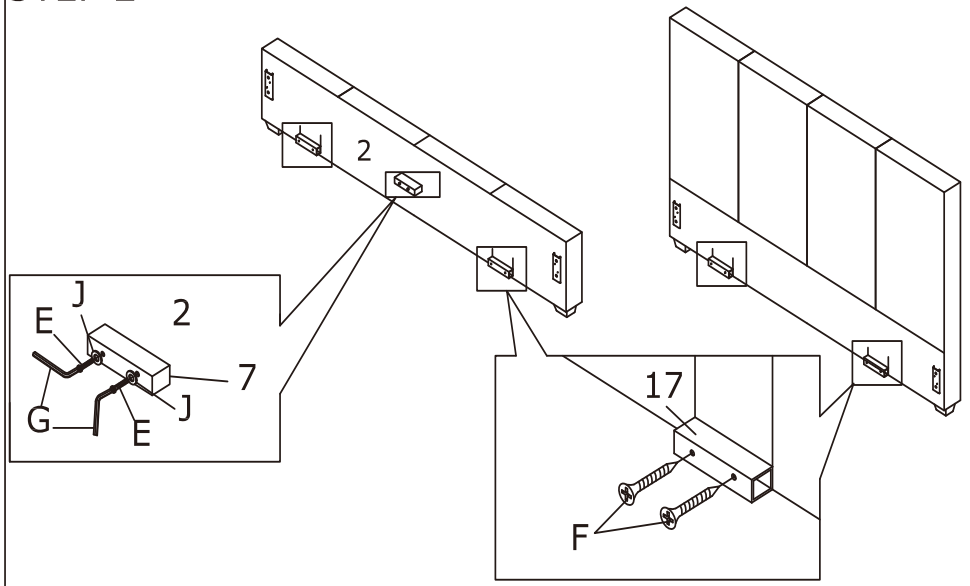
STEP 1



YOU WILL NEED:-

F		8PCS
---	--	------

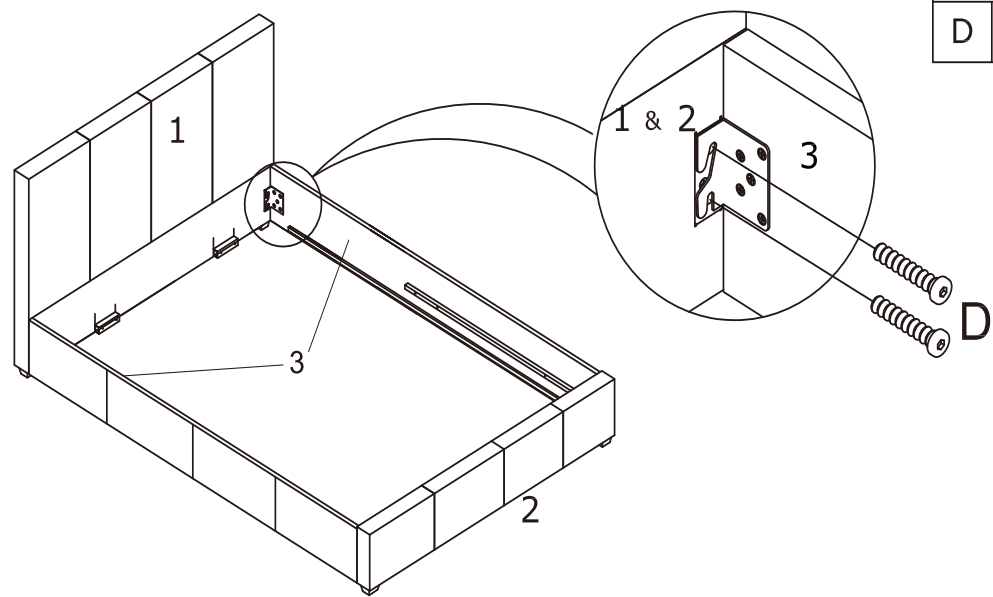
STEP 2



YOU WILL NEED:-

F		8PCS
E		2PCS
J		2PCS

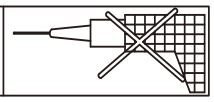
STEP 3



YOU WILL NEED:-






D		8PCS
---	--	------

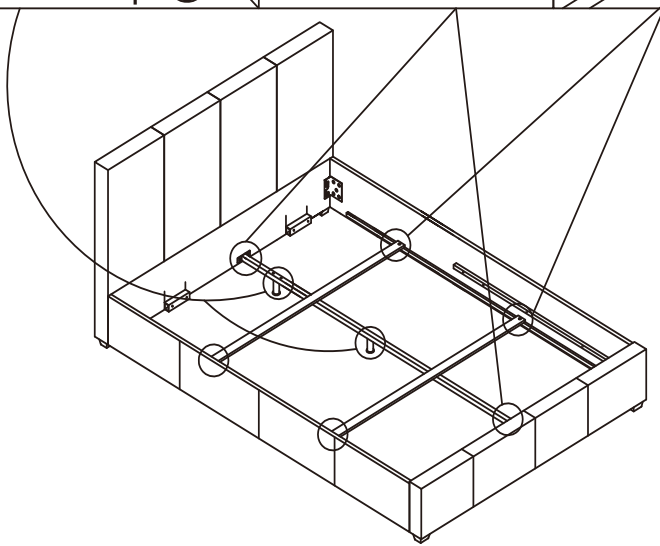
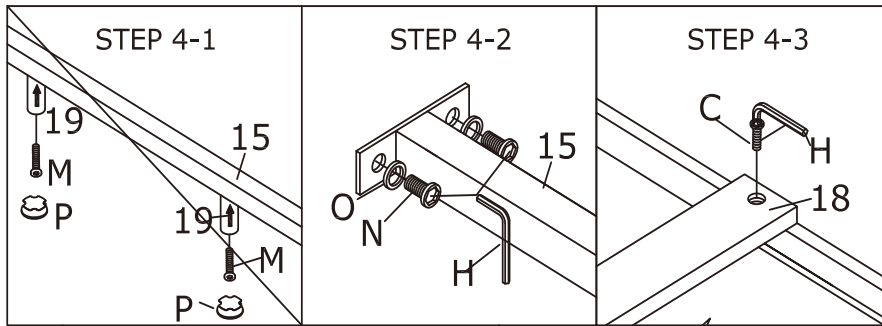
THE USE OF POWER TOOLS TO ASSEMBLE THIS PRODUCT WILL INVALIDATE ANY CLAIM AND MAY DAMAGE THIS PRODUCT MAKING IT UNSAFE



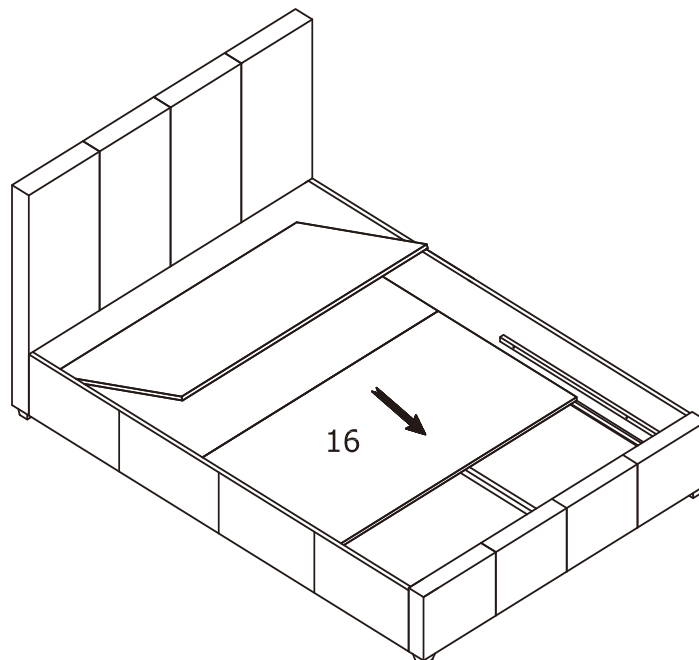
STEP 4

YOU WILL NEED:-

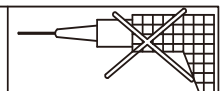
C		4PCS
N		4PCS
M		2PCS
P		2PCS
O		4PCS



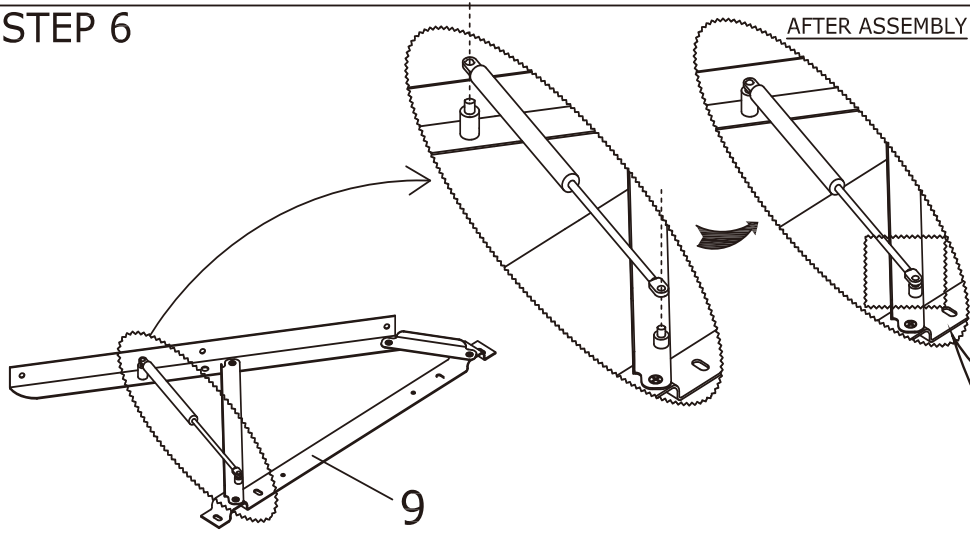
STEP 5



THE USE OF POWER TOOLS TO ASSEMBLE THIS PRODUCT WILL INVALIDATE ANY CLAIM AND MAY DAMAGE THIS PRODUCT MAKING IT UNSAFE

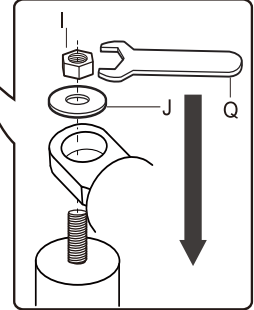


STEP 6

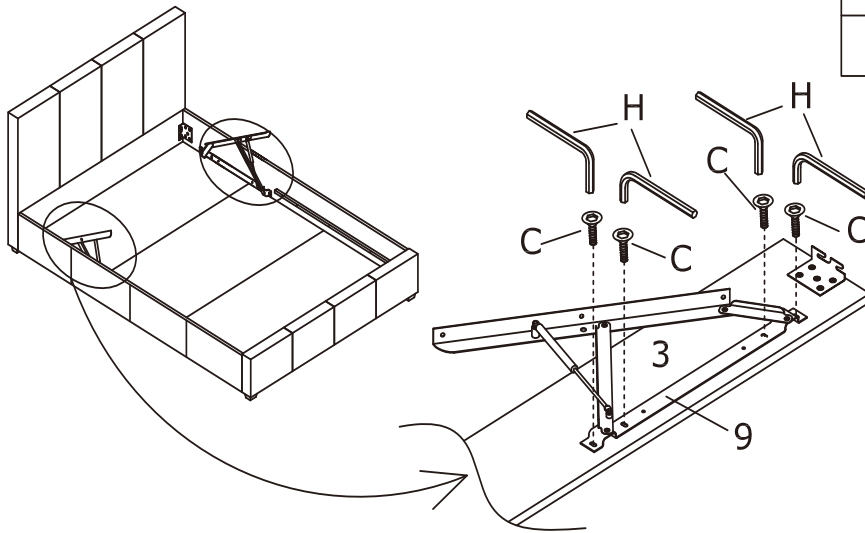


YOU WILL NEED:-

I		4PCS
J		4PCS



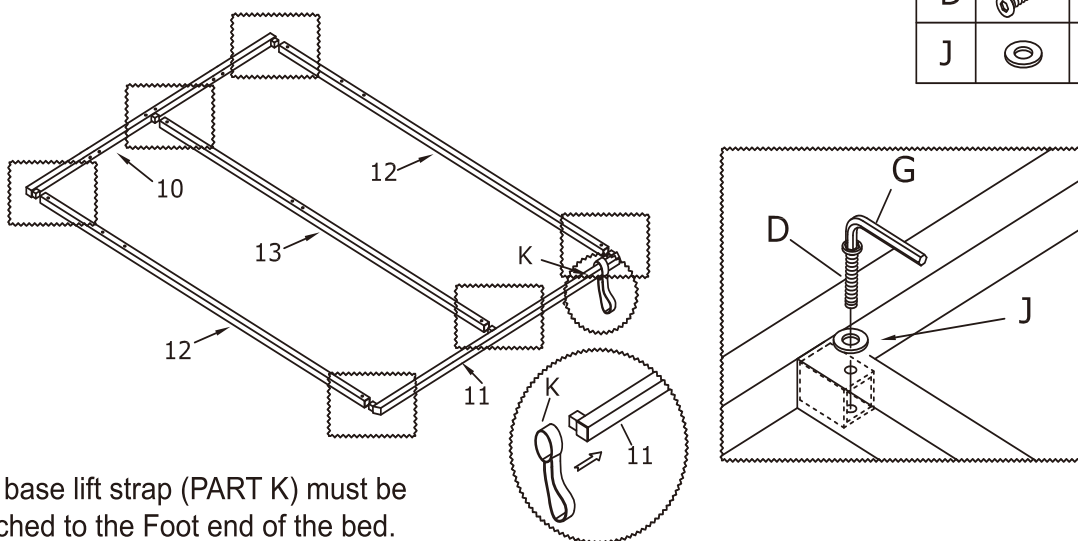
STEP 7



YOU WILL NEED:-

C		8PCS
---	--	------

STEP 8

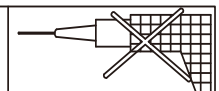


YOU WILL NEED:-

D		6PCS
J		6PCS



The base lift strap (PART K) must be attached to the Foot end of the bed.

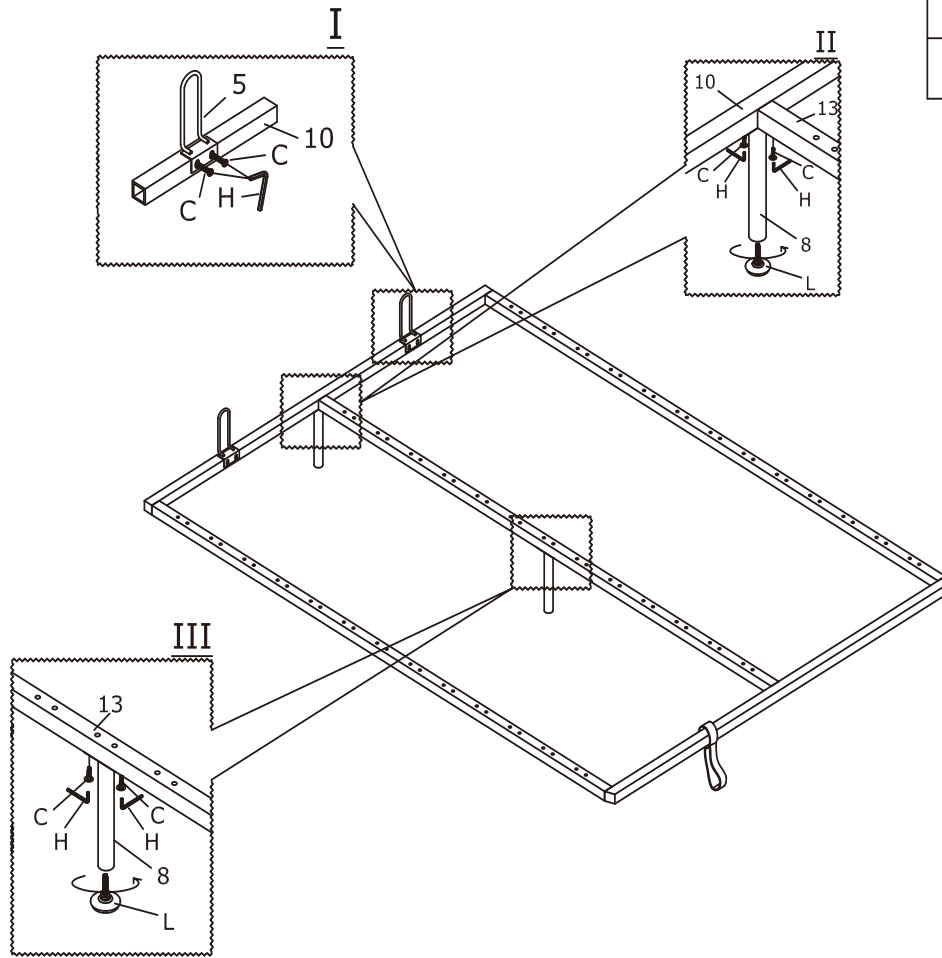
THE USE OF POWER TOOLS TO ASSEMBLE THIS PRODUCT WILL INVALIDATE ANY CLAIM AND MAY DAMAGE THIS PRODUCT MAKING IT UNSAFE



STEP 9

YOU WILL NEED:-

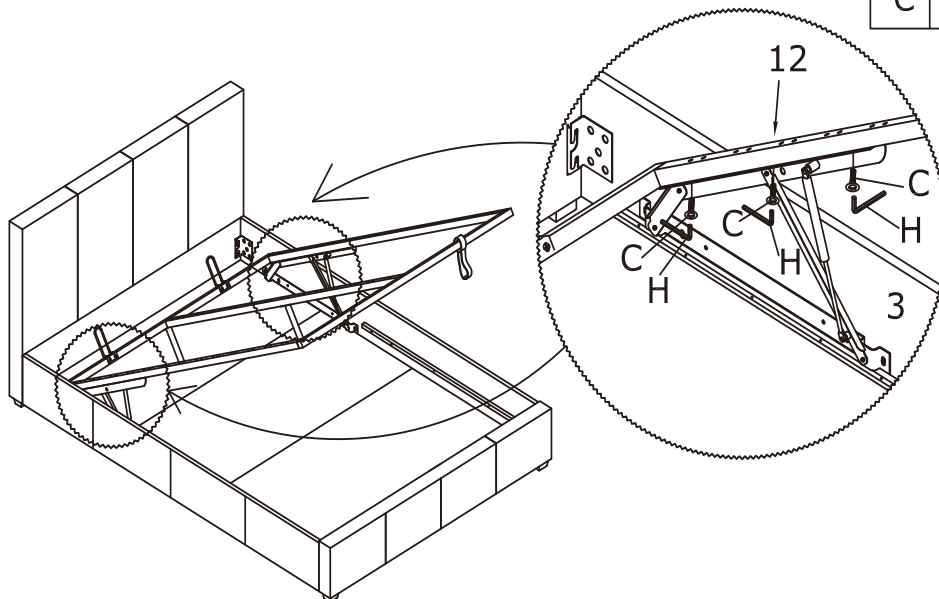
C		8PCS
L		2PCS



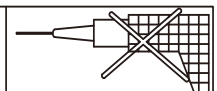
STEP 10

YOU WILL NEED:-

C		6PCS
---	---------------------------------------------------------------------------------------	------





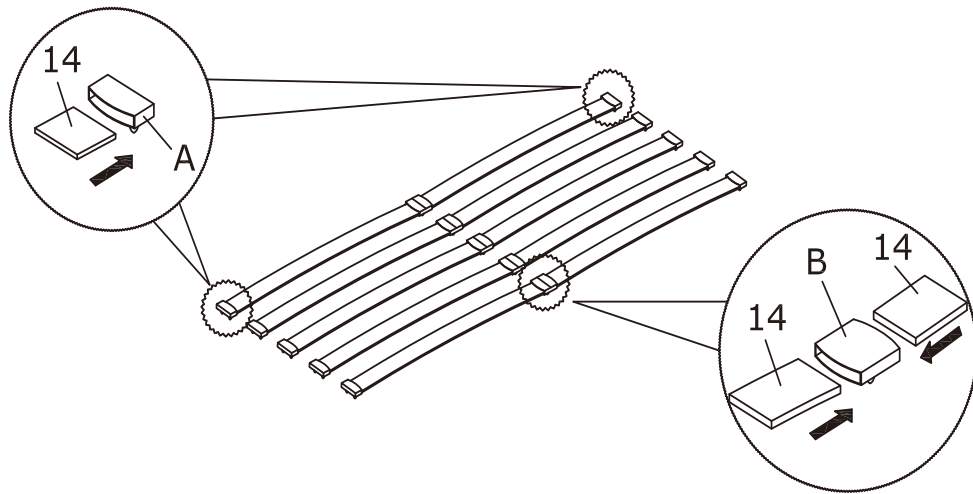
THE USE OF POWER TOOLS TO ASSEMBLE THIS PRODUCT WILL INVALIDATE ANY CLAIM AND MAY DAMAGE THIS PRODUCT MAKING IT UNSAFE



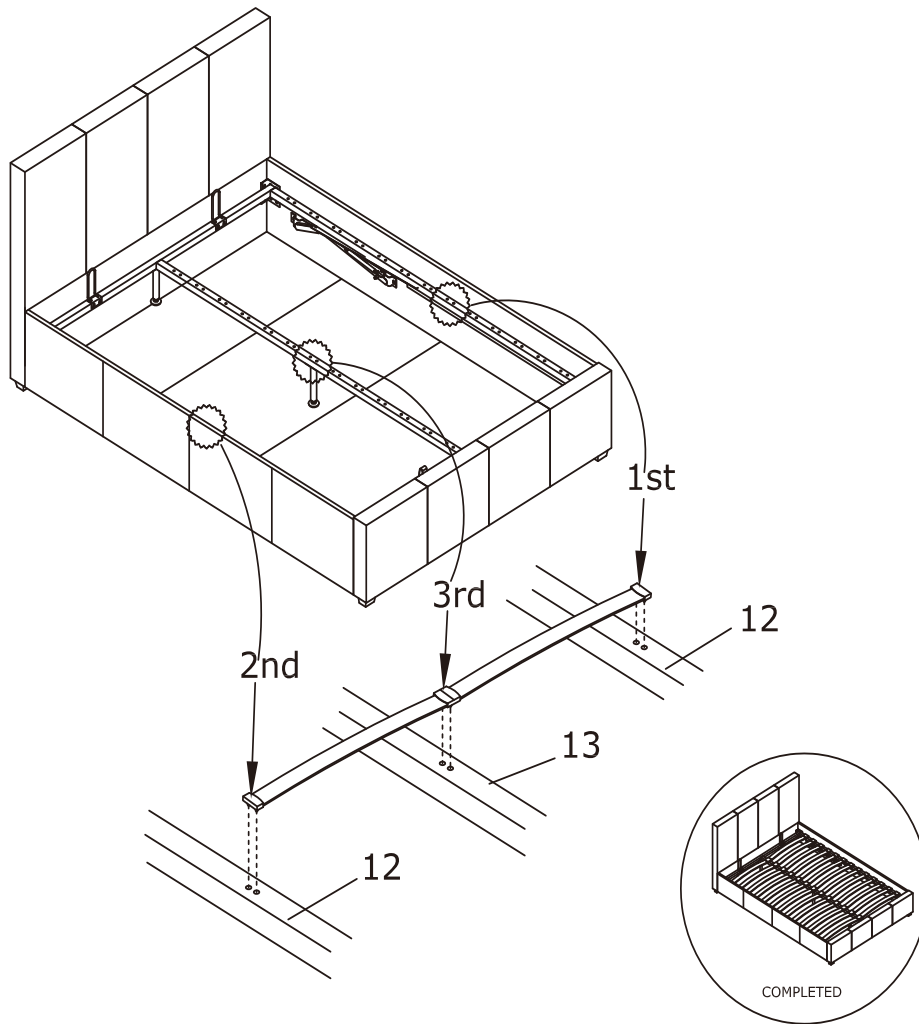
STEP 11

YOU WILL NEED:-

A		26PCS
B		13PCS



STEP 12



THE USE OF POWER TOOLS TO ASSEMBLE THIS PRODUCT WILL INVALIDATE ANY CLAIM AND MAY DAMAGE THIS PRODUCT MAKING IT UNSAFE

