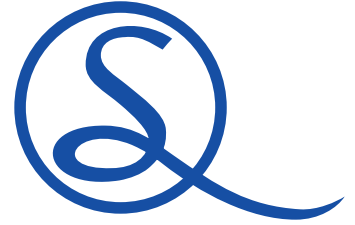
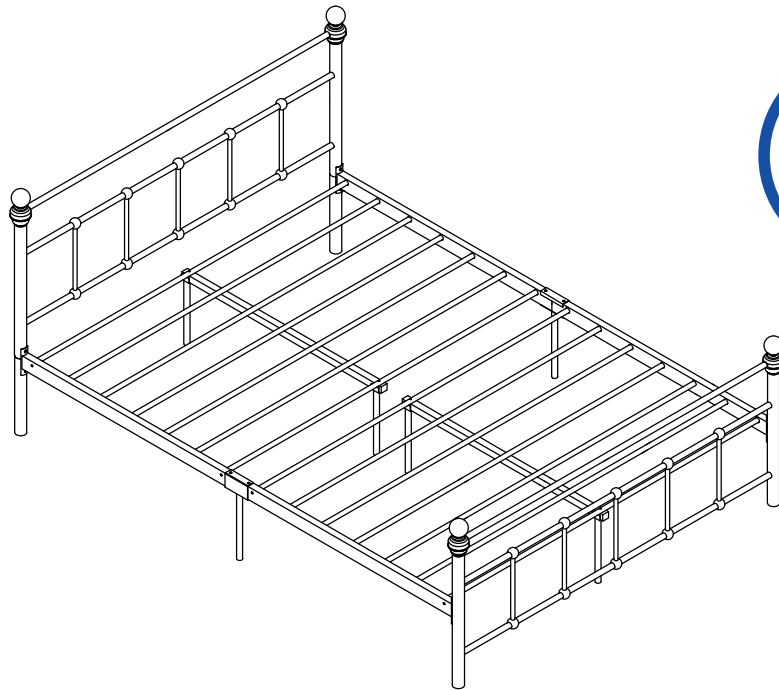
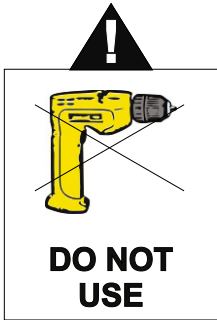


MARLBOROUGH 4'6" BED ASSEMBLY INSTRUCTIONS



FOR DOMESTIC USE ONLY
IMPORTANT

PLEASE READ BEFORE YOU CONTINUE FURTHER

THE PRODUCTS YOU HAVE PURCHASED WILL GIVE YOU MANY YEARS OF SERVICE IF YOU FOLLOW THE GUIDELINES FOR ITS SAFE ASSEMBLY AND PERIODIC MAINTENANCE AND CLEANING.

ASSEMBLE ON A SOFT CLEAN SURFACE.

DO NOT USE ANY TOOLS OTHER THAN THOSE SHOWN.

ANY SPANNERS AND ALLEN KEYS REQUIRED ARE INCLUDED WITH THE FITTINGS KIT.

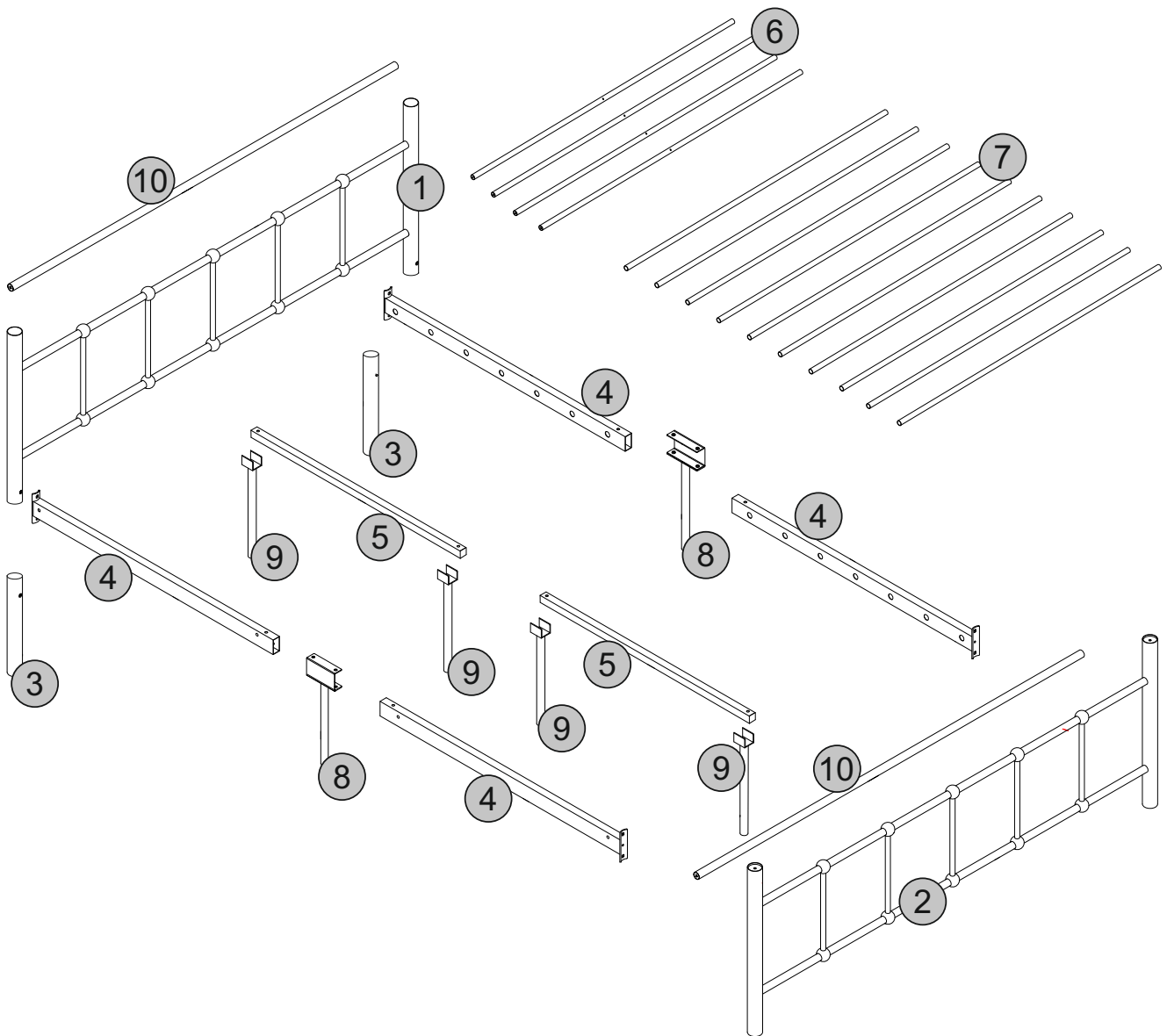
DO NOT FOR ANY REASON USE POWER TOOLS TO ASSEMBLY THIS PRODUCT. ITS USE WILL INVALIDATE ANY CLAIM AND MAY DAMAGE THIS PRODUCT MAKING IT UNSAFE.

DEPENDING ON THE AMOUNT OF USE THIS PRODUCT RECEIVES IT MAY BE NECESSARY TO TIGHTEN UP THE FIXINGS FROM TIME TO TIME.

DO NOT OVERTIGHTEN FIXINGS.

FOR CLEANING, YOU MAY USE A DAMP CLOTH (NOT WET) DO NOT USE POLISH, DETERGENT OR CHEMICAL CLEANERS.

THE SURFACE OF THIS ITEM IS NOT HEAT RESISTANT. ALWAYS USE A PLACE MAT UNDER HOT OR COLD ITEMS TO PREVENT MARKING.












PLEASE CHECK THAT YOU HAVE ALL THE PARTS LISTED BEFORE YOU START ASSEMBLING. IF YOU DO FIND THAT SOMETHING IS MISSING, DO NOT CONTINUE ASSEMBLY. PLEASE CONTACT YOUR SUPPLIER IMMEDIATELY.

PARTS LIST

Part Number	Part Code	Part Description	Quantity	Carton
1	S200-203-069-RJ2-01	Headboard Panel	1	1
2	S200-203-069-RJ2-02	Footboard Panel	1	1
3	S200-203-069-RJ2-03	Leg Extension	2	1
4	S200-203-069-RJ2-04	Siderail	4	1
5	S200-203-069-RJ2-05	Crossbar A	2	1
6	S200-203-069-RJ2-06	Crossbar B	4	1
7	S200-203-069-RJ2-07	Crossbar C	10	1
8	S200-203-069-RJ2-08	Support Leg A	2	1
9	S200-203-069-RJ2-09	Support Leg B	4	1
10	S200-203-069-RJ2-10	Head/Footboard Crossbar	2	1

HARDWARE LIST

REF		HARDWARE NAME	QTY
A		M6 x 16mm Bolt	8PCS
B		M6 x 45mm Bolt	4PCS
C		M6 x 55mm Bolt	4PCS
D		M8 x 20mm Bolt	8PCS
E		Nut	4PCS
F		Finials	4PCS
G		Finial Base	4PCS
H		Allen Key	1PC
I		Spanner	1PC


PLEASE CHECK THAT YOU HAVE ALL THE PARTS LISTED BEFORE YOU START ASSEMBLING. IF YOU DO FIND THAT SOMETHING IS MISSING, DO NOT CONTINUE ASSEMBLY. PLEASE CONTACT YOUR SUPPLIER IMMEDIATELY.

STEP 1

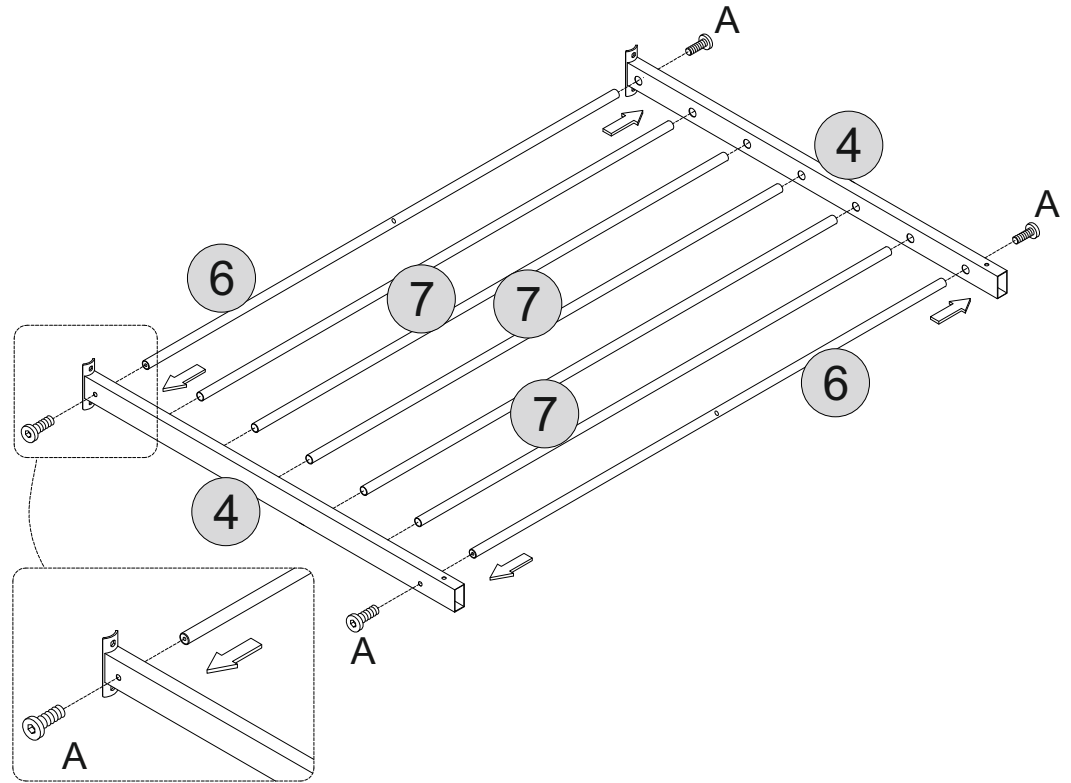
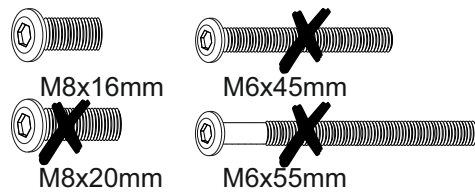
PARTS REQUIRED

4 - SIDERAIL	x2
6 - CROSSBAR B	x2
7 - CROSSBAR C	x5

HARDWARE REQUIRED

A		04
---	---	----

TOOLS REQUIRED




STEP 2

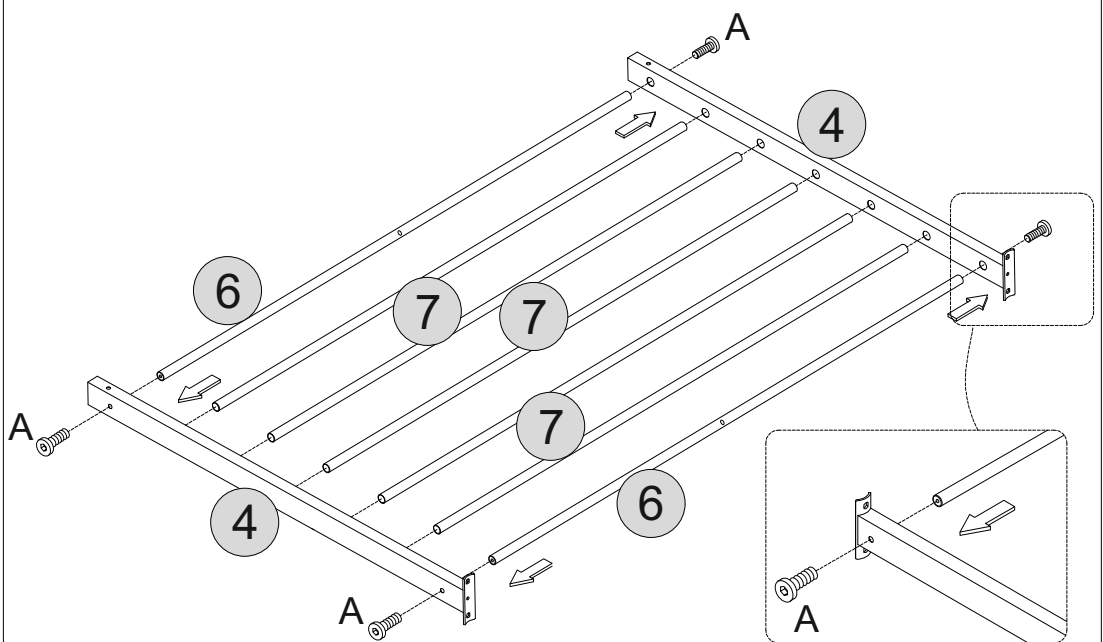
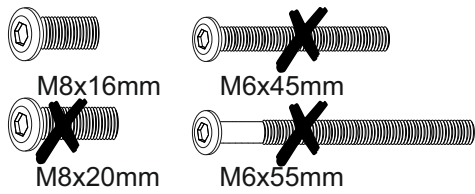
PARTS REQUIRED

4 - SIDERAIL	x2
5 - CROSSBAR B	x2
6 - CROSSBAR C	x5

HARDWARE REQUIRED

A		04
---	---	----

TOOLS REQUIRED

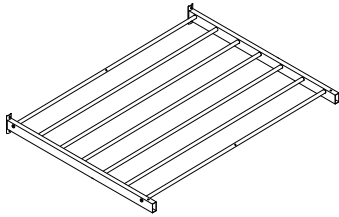


STEP 3

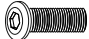
PARTS REQUIRED

1 - HEADBOARD PANEL x1

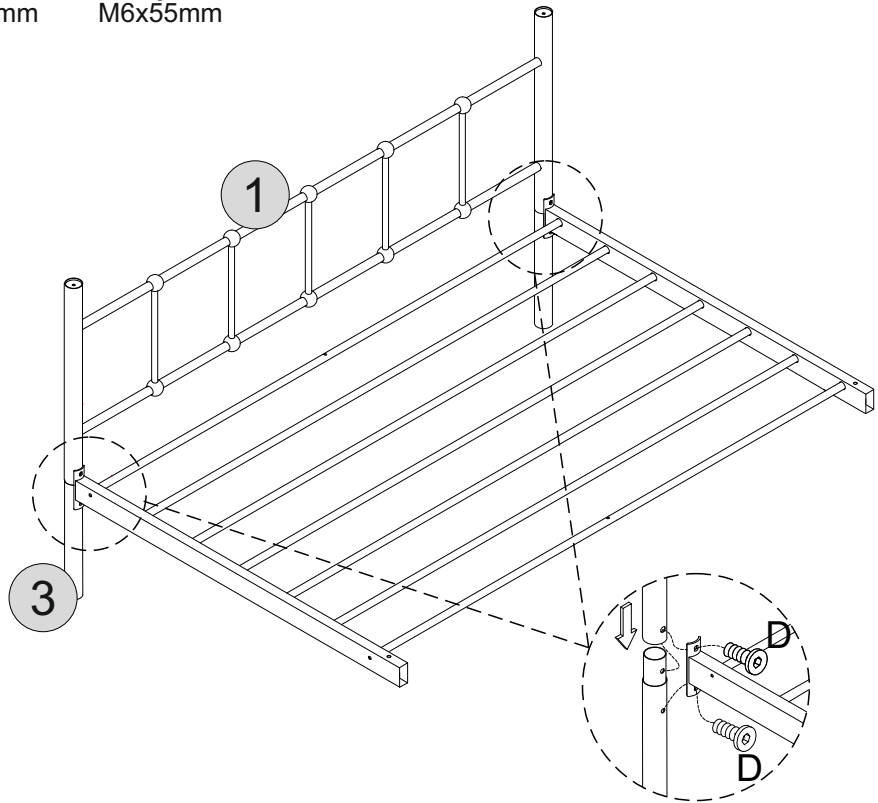
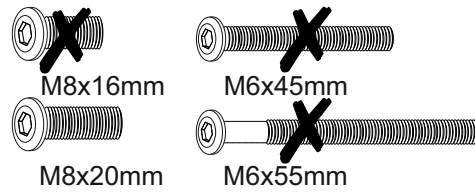
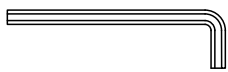
3 - LEG EXTENSION x2



HARDWARE REQUIRED

D  04

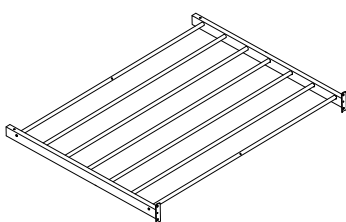
TOOLS REQUIRED




STEP 4

PARTS REQUIRED

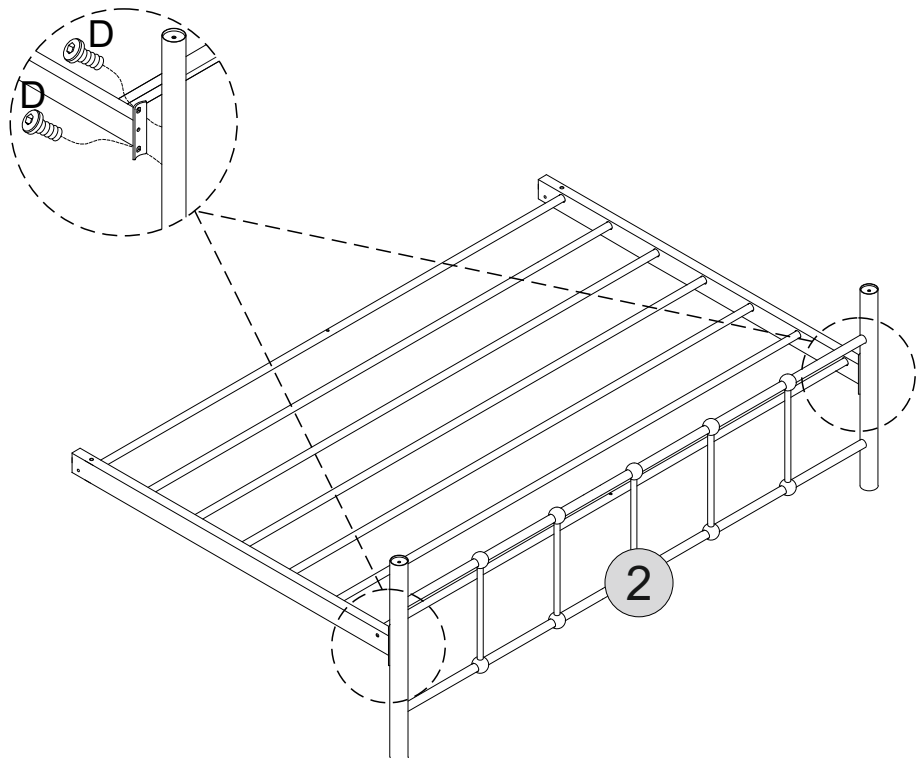
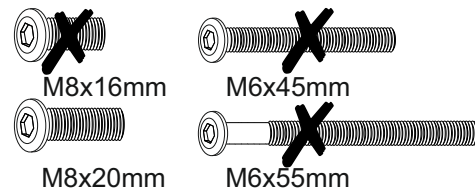
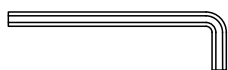
2 - FOOTBOARD PANEL x1



HARDWARE REQUIRED

D  04

TOOLS REQUIRED

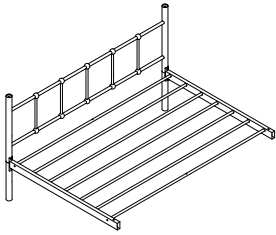


STEP 5

PARTS REQUIRED

5 - CROSSBAR A x1

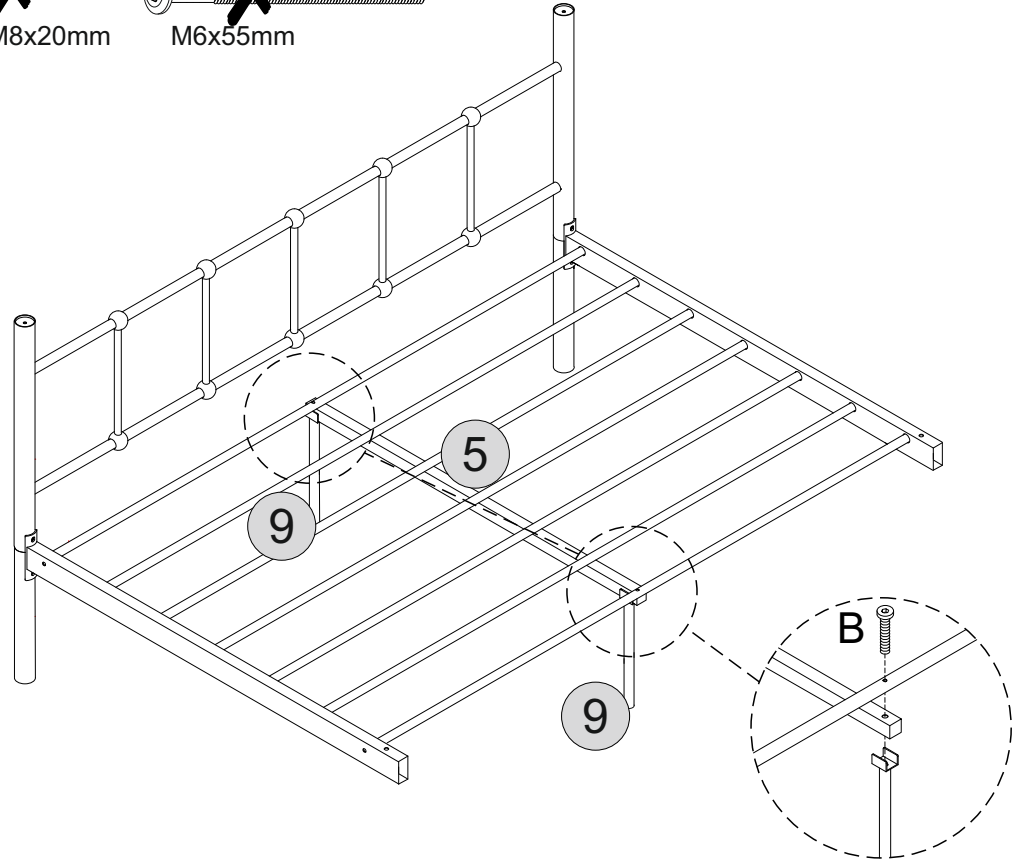
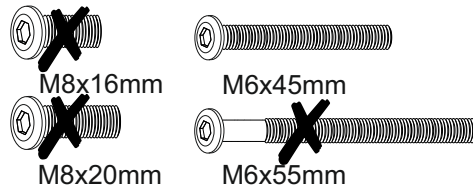
9 - SUPPORT LEG B x2



HARDWARE REQUIRED

B  02

TOOLS REQUIRED

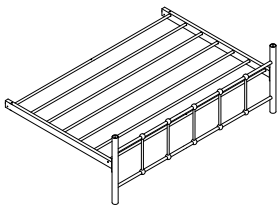


STEP 6

PARTS REQUIRED

5 - CROSSBAR A x1

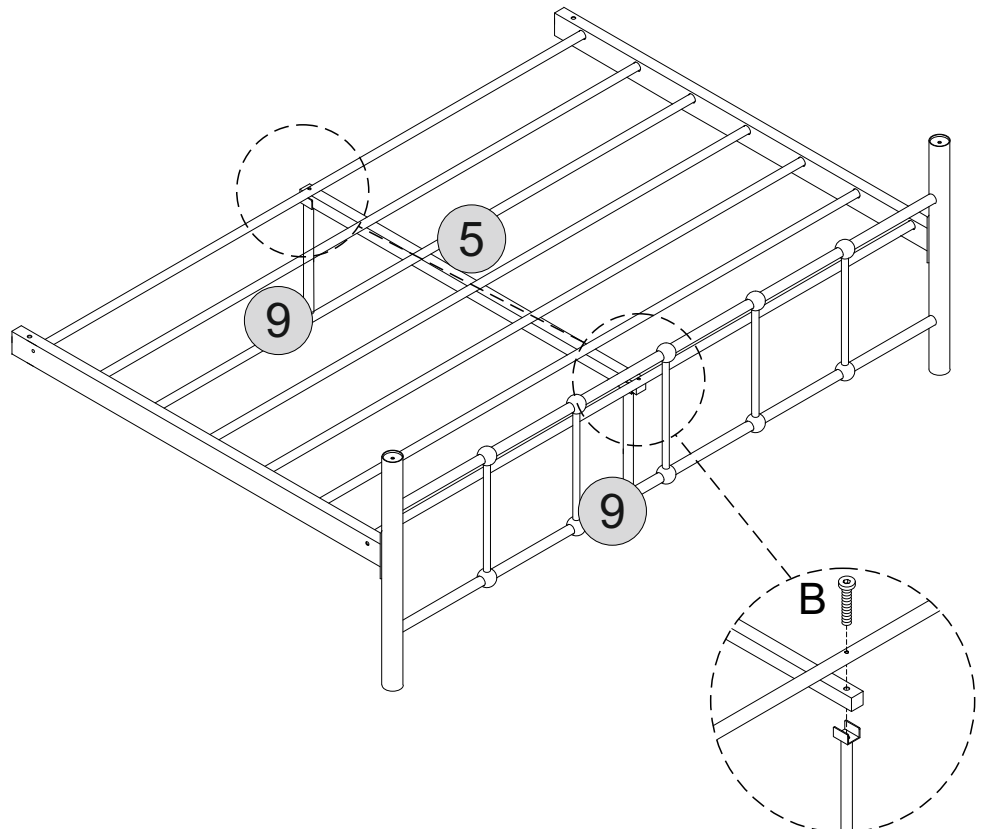
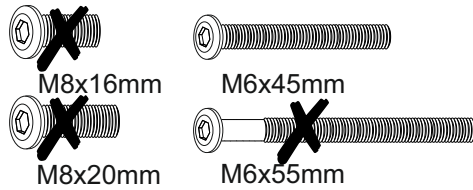
9 - SUPPORT LEG B x2



HARDWARE REQUIRED

B  02

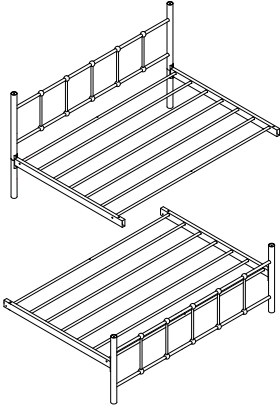
TOOLS REQUIRED



STEP 7

PARTS REQUIRED

8 - SUPPORT LEG A x2

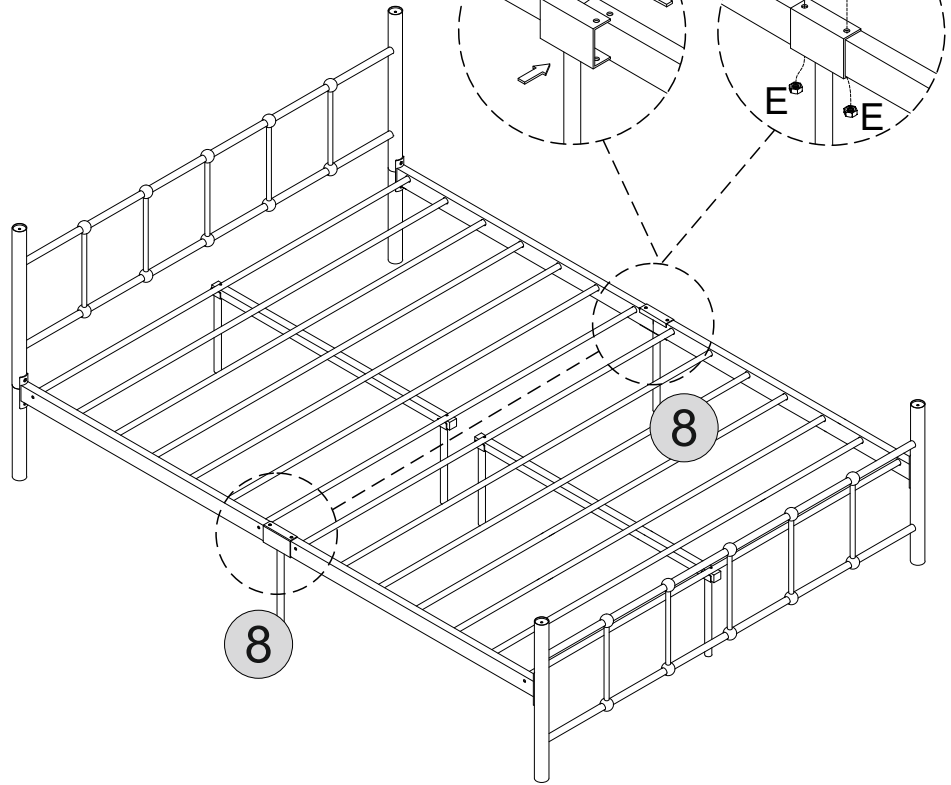
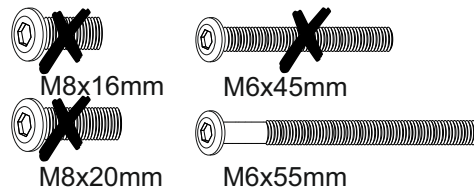
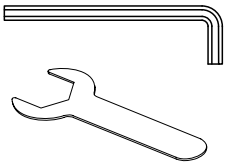


HARDWARE REQUIRED

C  04

E  04

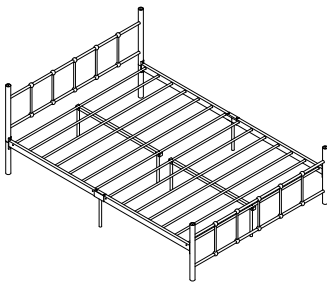
TOOLS REQUIRED



STEP 8

PARTS REQUIRED

10 - HEAD/FOOTBOARD CROSSBAR x2

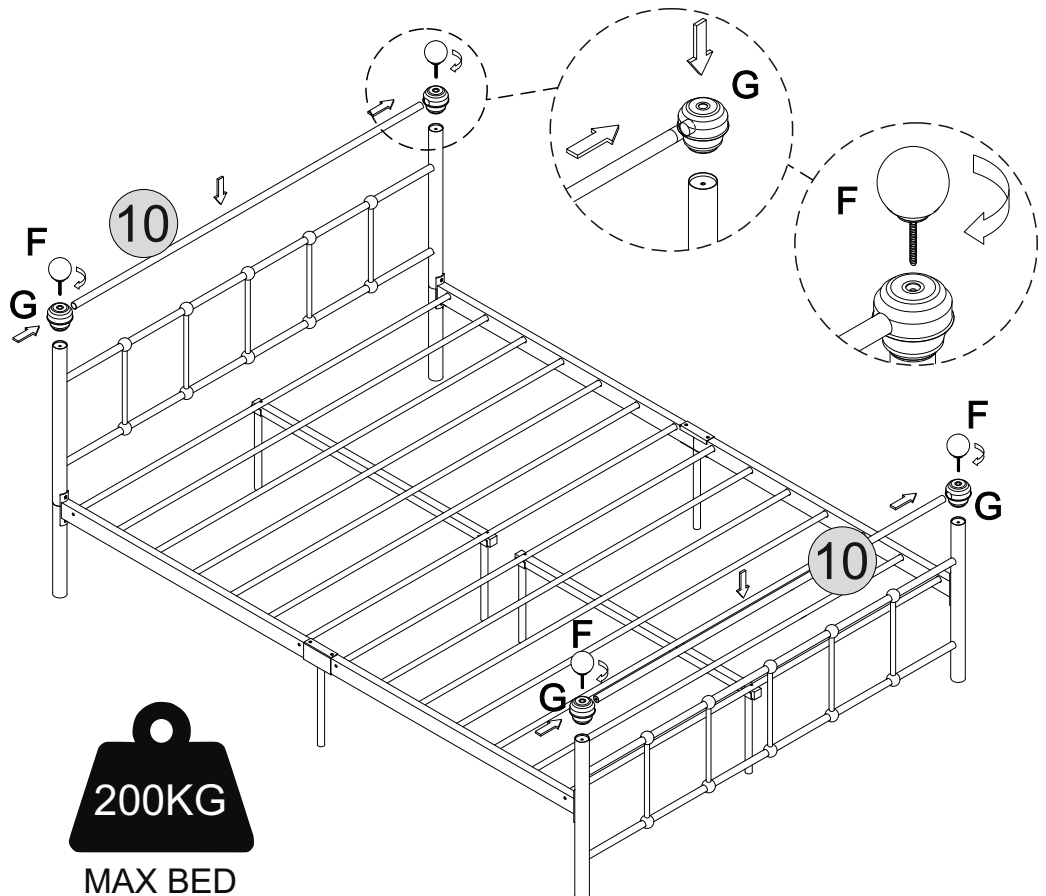


HARDWARE REQUIRED

F  04

G  04

TOOLS REQUIRED



MAX BED WEIGHT