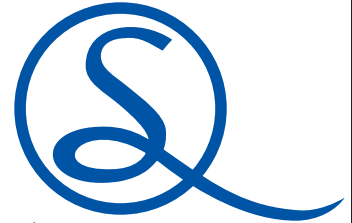
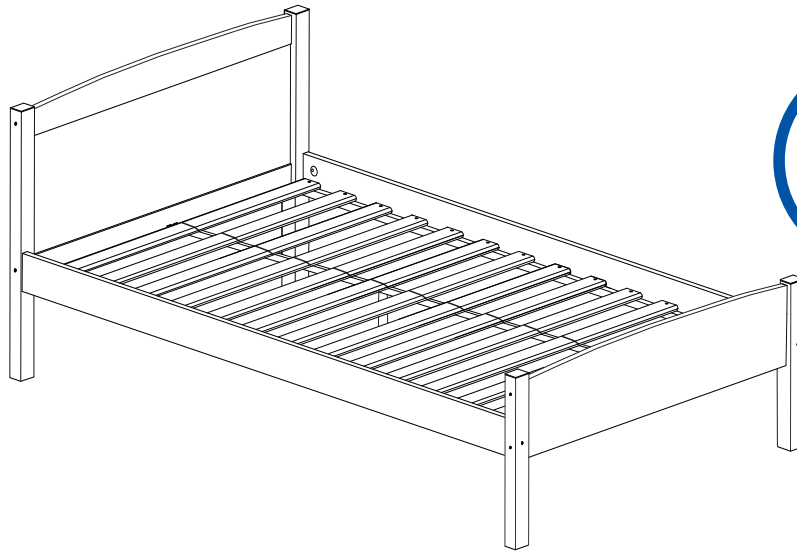


# GREY SLATE AMBER 4'6" BED ASSEMBLY INSTRUCTIONS

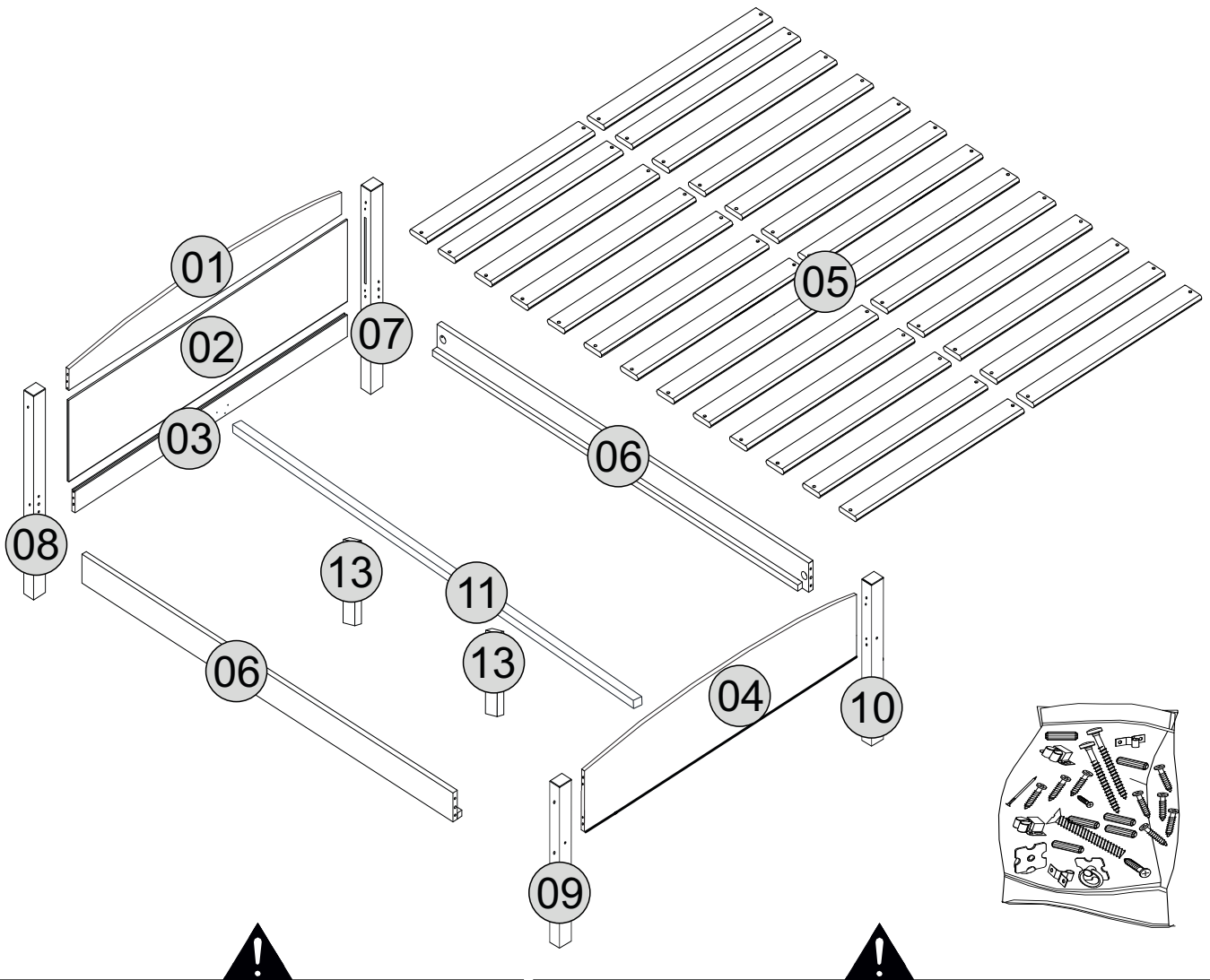


**MAX BED  
WEIGHT**



## **IMPORTANT FOR DOMESTIC USE ONLY PLEASE READ BEFORE YOU CONTINUE FURTHER CARE AND MAINTENANCE**

- After unpacking this product please keep the original packaging in case it needs to be returned for any reason.
- Please ensure all fittings and parts are present before commencing with assembly.
- We recommend that you lay a blanket or sheet on the floor to avoid damage to both your floor and the product.
- We strongly recommend that you keep children away from your work area.
- Assemble this product as close to its final position as possible.
- Never drag or push products as this could cause damage to the joints making it inferior.
- Do not drag or push items across your furniture as this may cause the surface to scratch.
- Do not place this product next to a radiator or in direct sunlight.
- Wood is a natural product and may expand if subjected to damp and may shrink or crack if subjected to heat. Therefore it is recommended that room temperature is maintained, with no sudden temperature fluctuations.
- Make sure any spillage is wiped off immediately.
- Do not place hot or chilled items directly on to the surface, use a place mat or marking will occur.
- For general cleaning use a soft cotton or microfibre cloth, and do not use detergents of any kind.
- Do not place on a wet or damp floor as staining may occur to your floor.
- From time to time it may be necessary to tighten fittings, regular inspections should be carried out.



**\* Use of power tools to assemble this product will invalidate any claim and damage this product making it unsafe !!!**  
**\* Please assemble on a clean soft surface to avoid damage.**

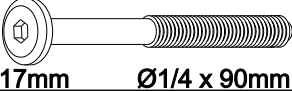




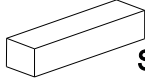
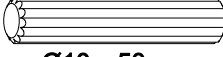
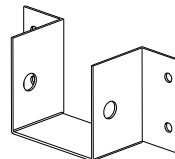
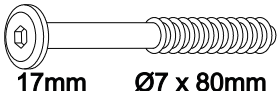
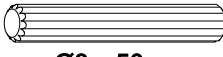


**\* Please check contents and read the instructions before commencing assembly.**  
**\* Assemble this product following the enclosed instructions carefully.**  
**\* Please take care to avoid damaging panels during assembly.**

***Please Note:***  
 The below highlighted parts have been number/colour coded to help identify them during assembly.

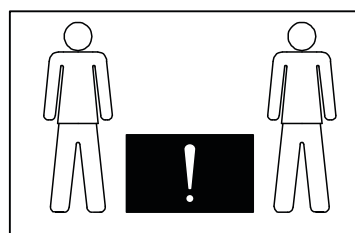
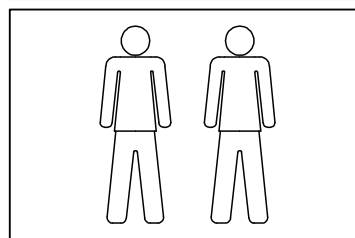
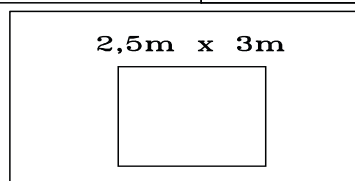
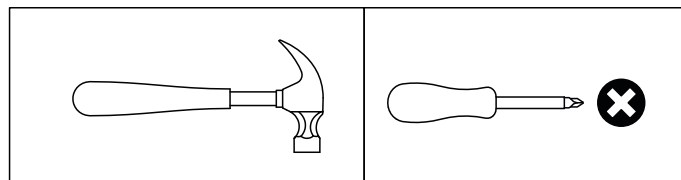
### PARTS LIST

Part Number	Part Code	Part Description	Quantity	Carton
00	S200-203-108-PJ1-00	Hardware Kit	1	1/2
01	S200-203-108-PJ1-01	Upper Crossbeam	1	1/2
02	S200-203-108-PJ1-02	Large Panel	1	1/2
03	S200-203-108-PJ1-03	Lower Crossbeam	1	1/2
04	S200-203-108-PJ1-04	Small Panel	1	1/2
05	S200-203-108-PJ1-05	Slats (02 Holes)	26	1/2
06	S200-203-108-PJ1-06	Siderails	2	2/2
07	S200-203-108-PJ1-07	Right Headboard Post	1	1/2
08	S200-203-108-PJ1-08	Left Headboard Post	1	1/2
09	S200-203-108-PJ1-09	Left Footboard Post	1	1/2
10	S200-203-108-PJ1-10	Right Footboard Post	1	1/2
11	S200-203-108-PJ1-11	Centre Support Rail	1	2/2
13	S200-203-108-PJ1-13	Centre Support Leg	2	2/2

### FITTINGS

A	 17mm Ø1/4 x 90mm	12	H	 Ø4,0 x 20mm	04
B	 1/4	12	I		01
C	 Ø3,5 x 30mm	52	J	 SPACER	02
D	 Ø10 x 50mm	08	K		02
E	 17mm Ø7 x 80mm	02			
F	 Ø8 x 50mm	08	L	 GLUE	01
G	 Ø4,0 x 16mm	08			

### TOOLS REQUIRED



# STEP 1

## PARTS REQUIRED

01- UPPER CROSSBEAM x1

03- LOWER CROSSBEAM x1

07- RIGHT HEADBOARD POST x1


08- LEFT HEADBOARD POST x1

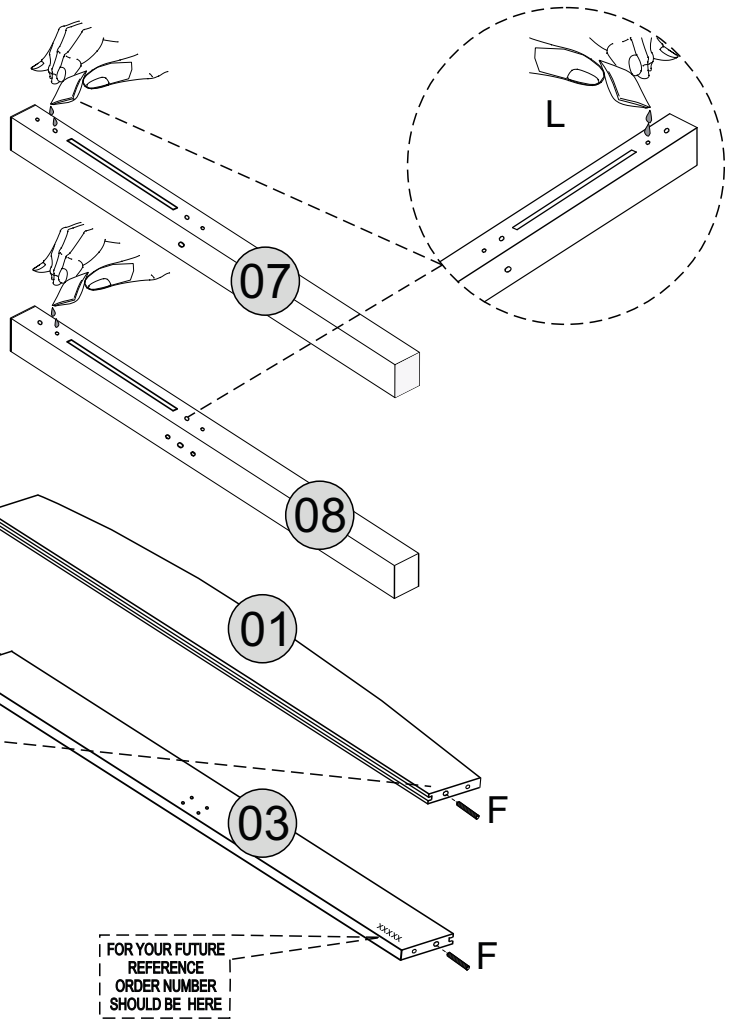
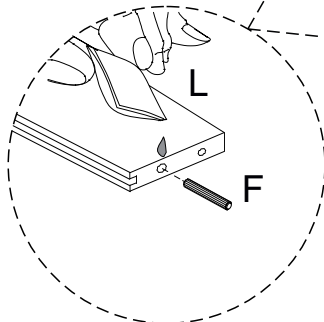
## HARDWARE REQUIRED

F  04  
Ø8 x 50mm

L  01  
GLUE

## TOOLS REQUIRED

 Glue must be added to the dowel holes on part 01,03,07 and 08.



# STEP 2


## PARTS REQUIRED

01- UPPER CROSSBEAM x1

03- LOWER CROSSBEAM x1

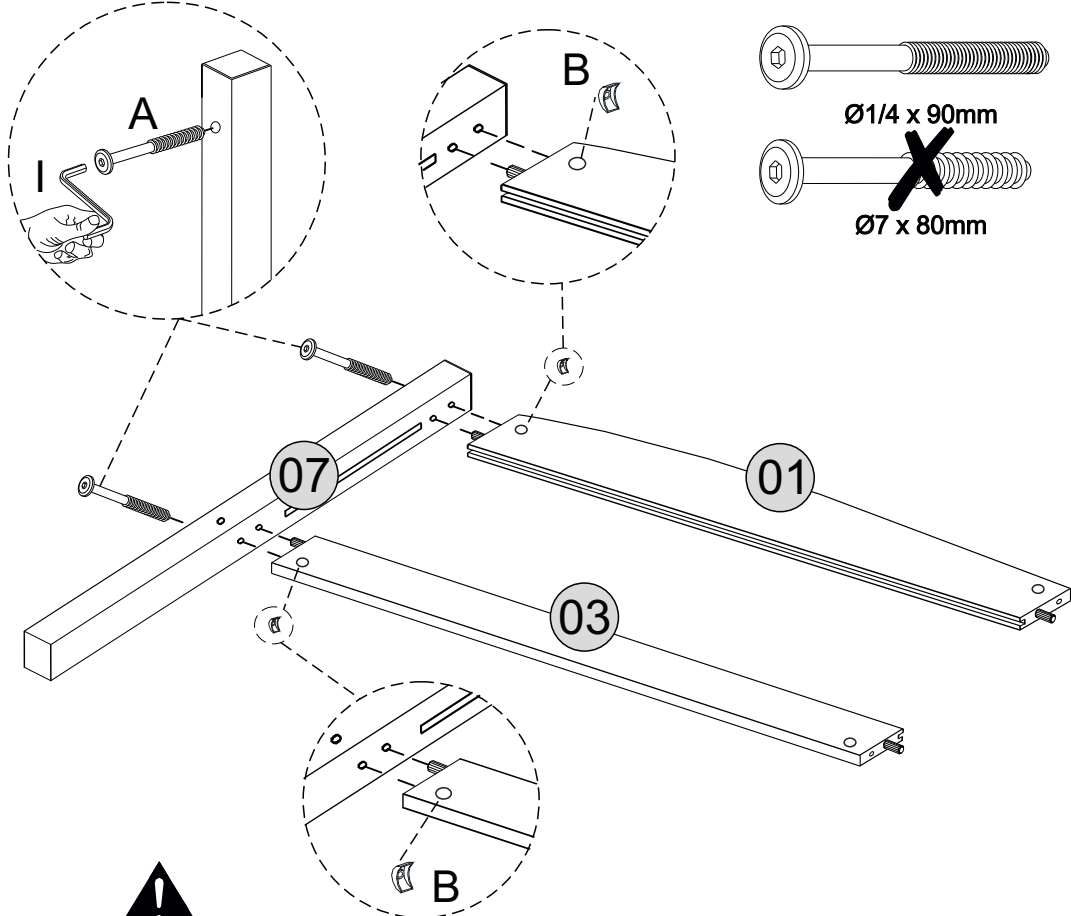
07- RIGHT HEADBOARD POST x1

## HARDWARE REQUIRED

A  02  
17mm Ø1/4 x 90mm

B  02  
1/4

## TOOLS REQUIRED

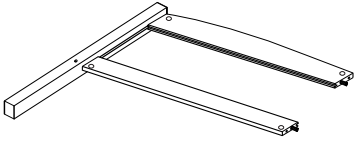


 Please assemble on a clean soft surface to avoid damage.

# STEP 3

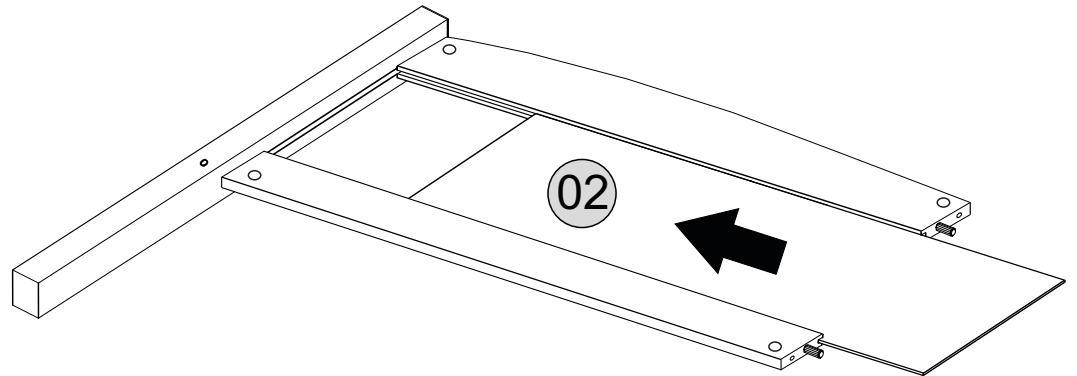
**PARTS REQUIRED**

02- LARGE PANEL x1



**HARDWARE REQUIRED**

**TOOLS REQUIRED**

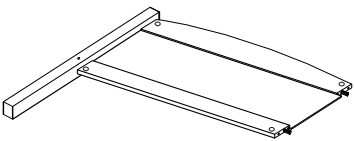


Please assemble on a clean soft surface to avoid damage.


# STEP 4

**PARTS REQUIRED**

08- LEFT HEADBOARD POST x1

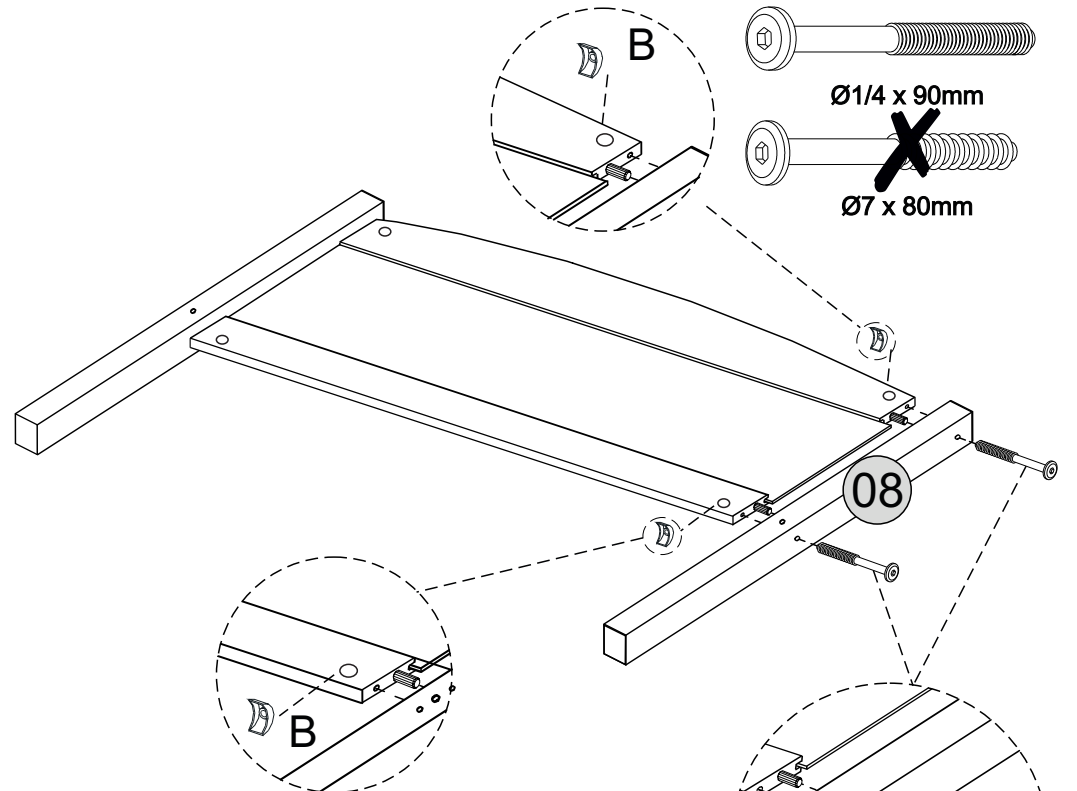


**HARDWARE REQUIRED**

A  02

B  02

**TOOLS REQUIRED**



Please assemble on a clean soft surface to avoid damage.

# STEP 5

## PARTS REQUIRED

04- SMALL PANEL x1

09- LEFT FOOTBOARD POST x1

10- RIGHT HEADBOARD POST x1

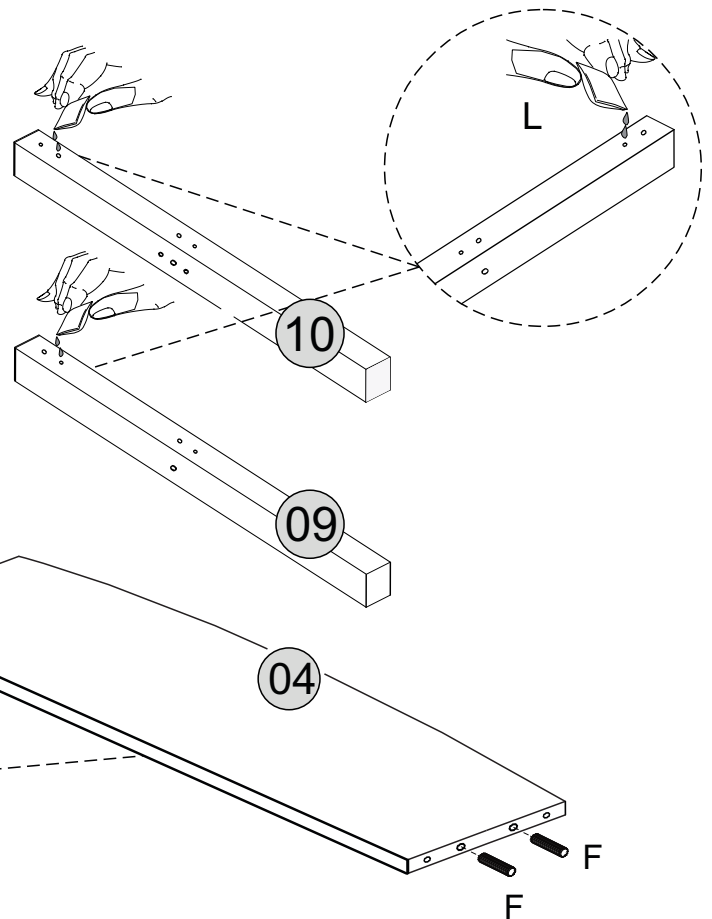
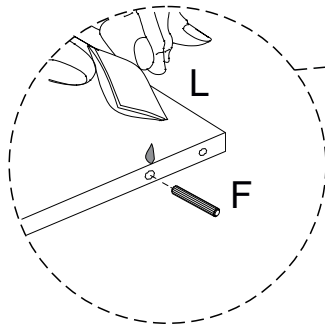
## HARDWARE REQUIRED

F  04  
Ø8 x 50mm

L  01

## TOOLS REQUIRED

 **Glue must be added to the dowel holes on part 04, 09 and 10.**



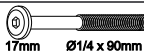
# STEP 6

## PARTS REQUIRED

04- SMALL PANEL x1

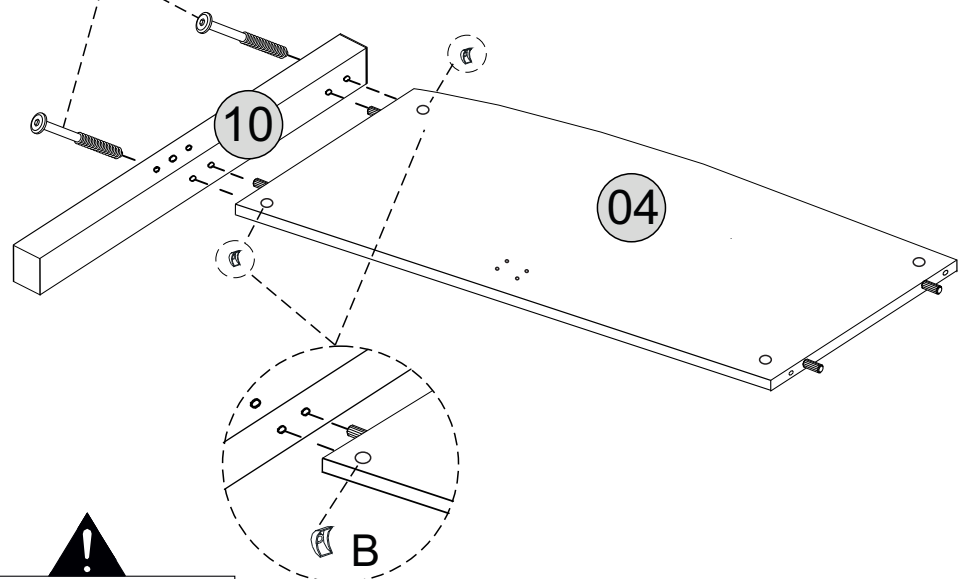
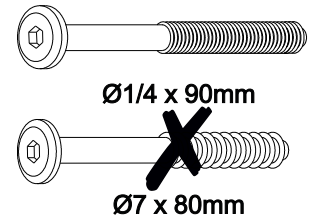
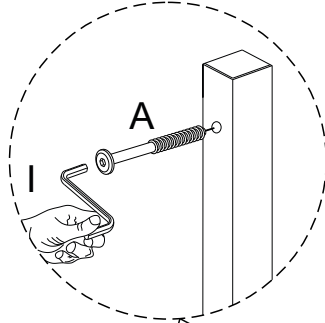
10- RIGHT FOOTBOARD POST x1

## HARDWARE REQUIRED

A  02  
17mm Ø1/4 x 90mm

B  02  
1/4

## TOOLS REQUIRED

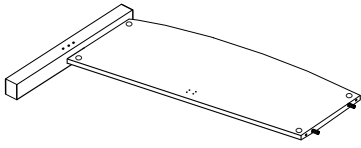


 **Please assemble on a clean soft surface to avoid damage.**

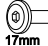
# STEP 7

## PARTS REQUIRED

09-LEFT FOOTBOARD POST x1

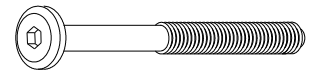


## HARDWARE REQUIRED

A  02  
17mm Ø1/4 x 90mm

B  02  
1/4

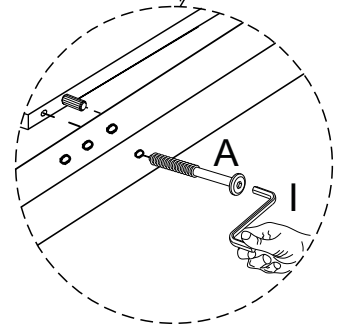
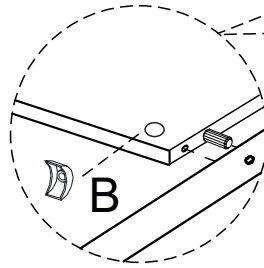
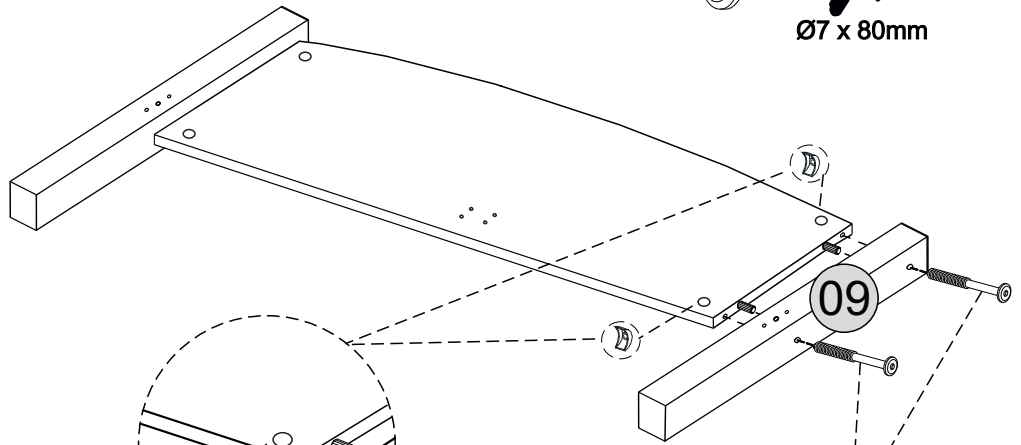
## TOOLS REQUIRED



Ø1/4 x 90mm



Ø7 x 80mm



Please assemble on a clean soft surface to avoid damage.

# STEP 8

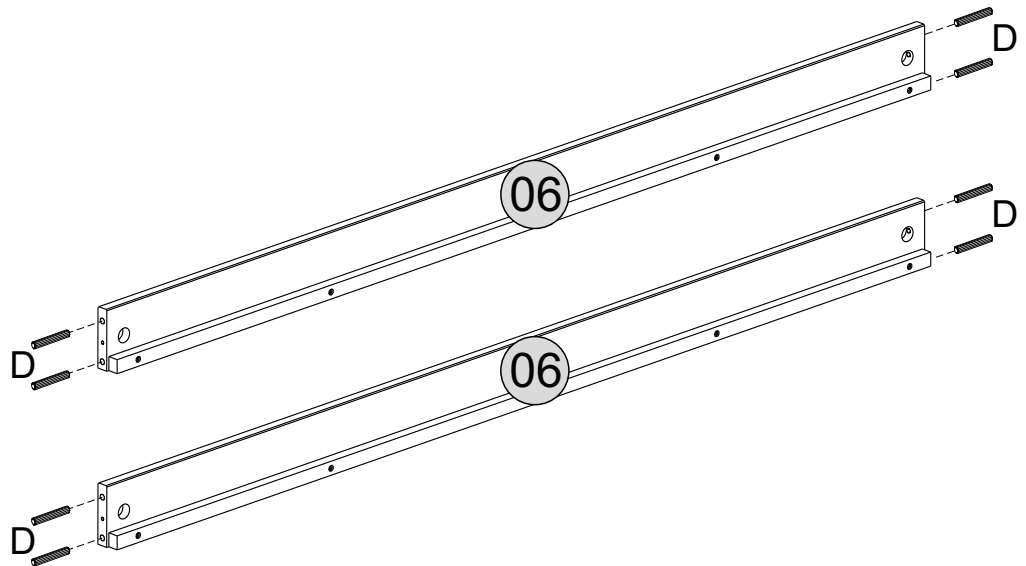
## PARTS REQUIRED

06- SIDERAILS x2

## HARDWARE REQUIRED

D  08  
Ø10 x 50mm

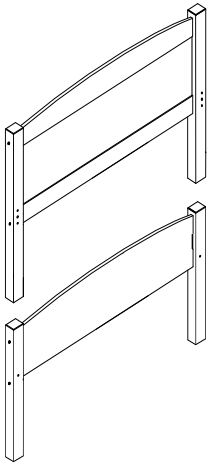
## TOOLS REQUIRED




# STEP 9

## PARTS REQUIRED

06- SIDERAILS x2

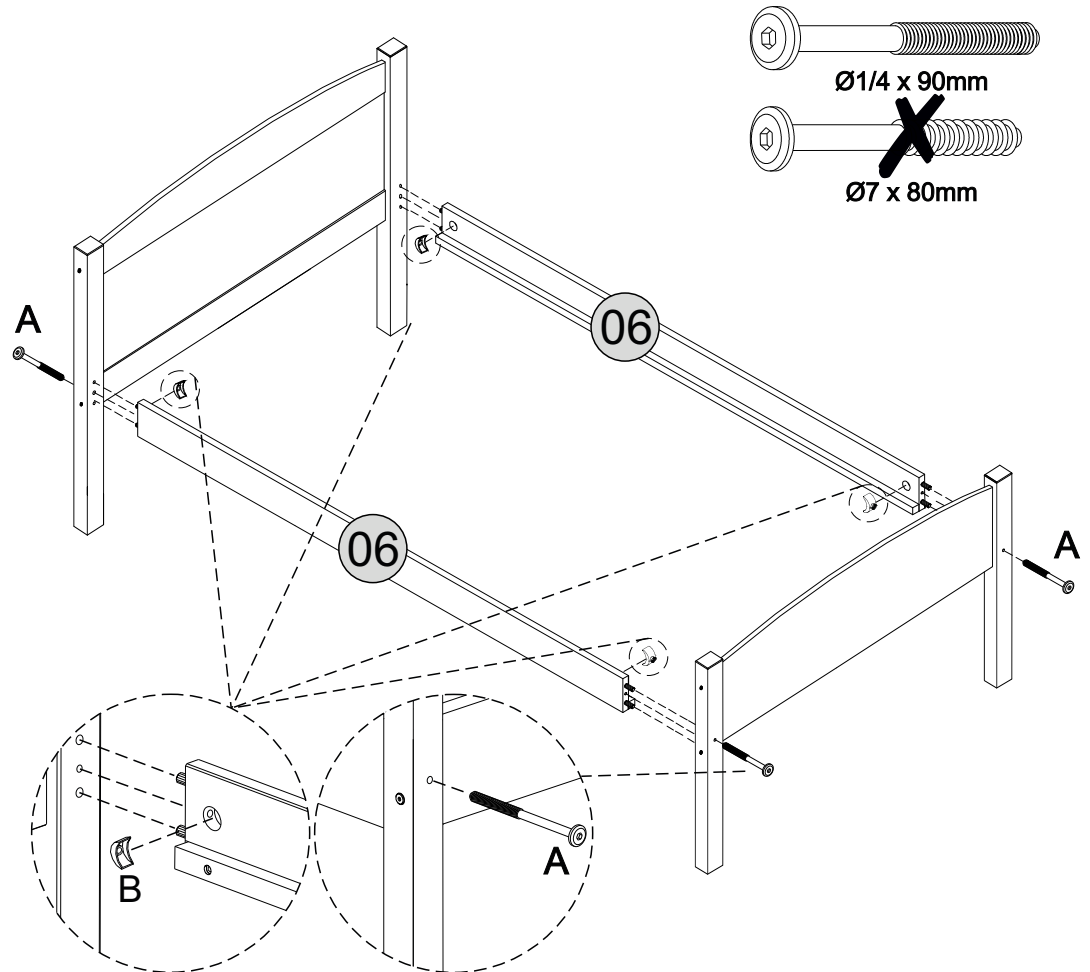


## HARDWARE REQUIRED

A  04

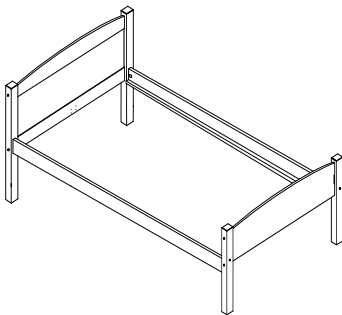
B  04

## TOOLS REQUIRED




# STEP 10

## PARTS REQUIRED

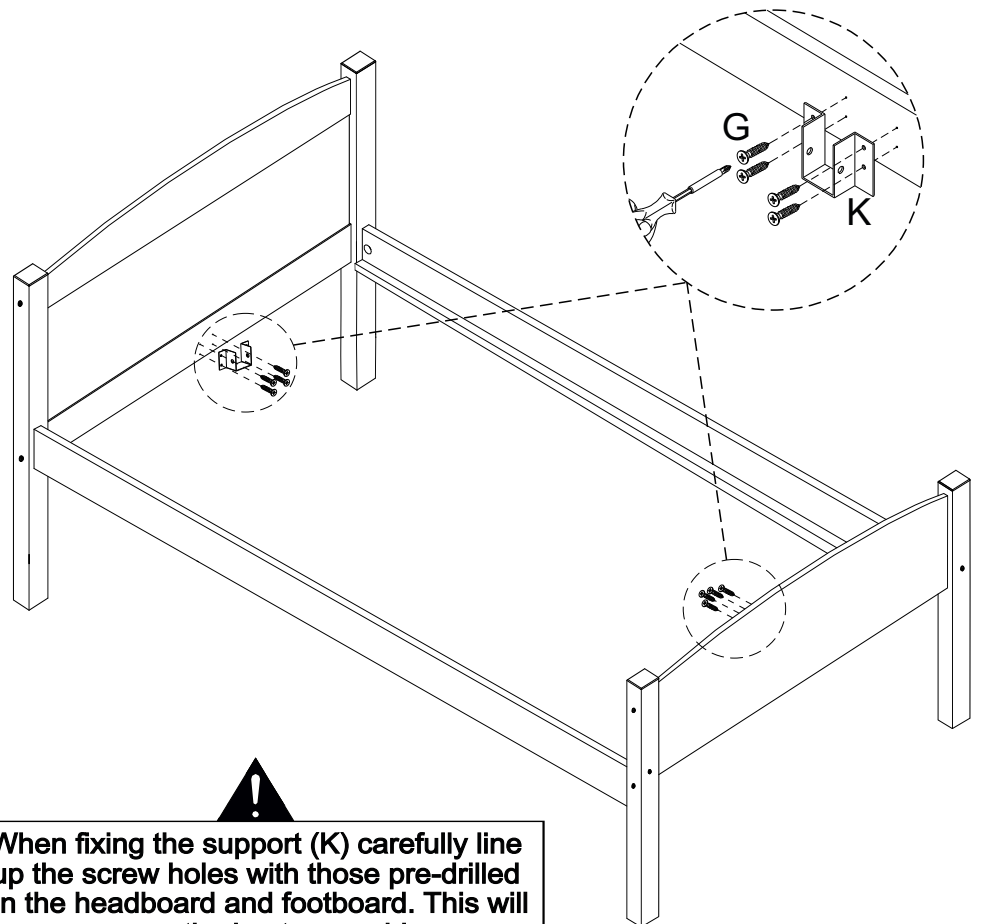
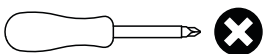


## HARDWARE REQUIRED

G  08

K  02

## TOOLS REQUIRED



**!**  
When fixing the support (K) carefully line up the screw holes with those pre-drilled on the headboard and footboard. This will ensure the best assembly.



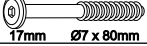
# STEP 11

## PARTS REQUIRED

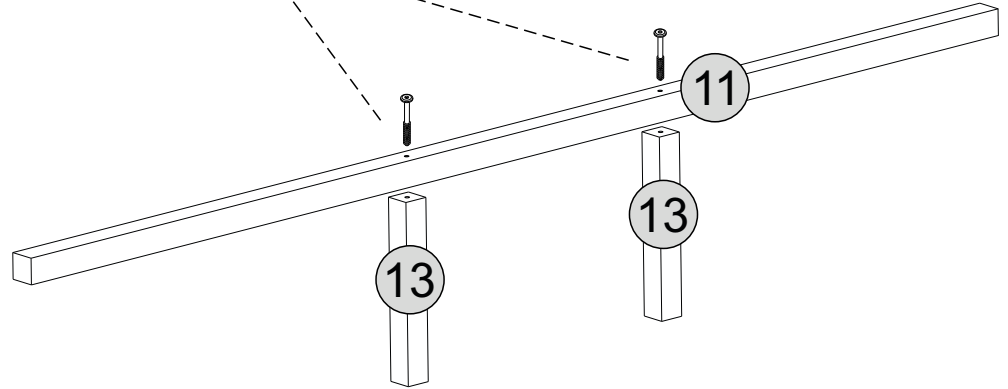
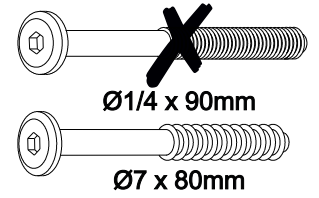
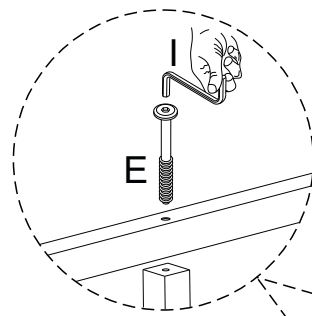
11- CENTRE SUPPORT RAIL x1

13- CENTRE SUPPORT LEG x2

## HARDWARE REQUIRED

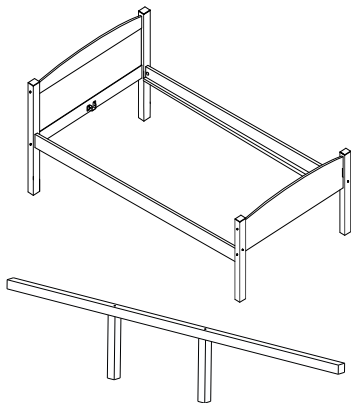
E  02  
17mm Ø7 x 80mm

## TOOLS REQUIRED



# STEP 12

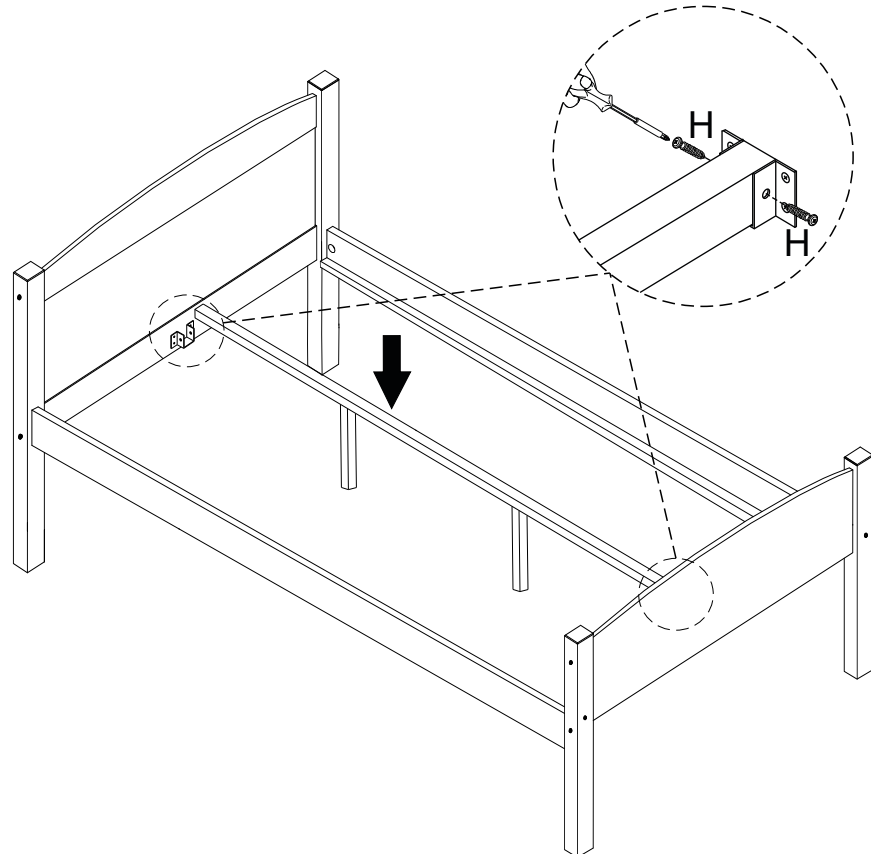
## PARTS REQUIRED



## HARDWARE REQUIRED

H  04  
Ø4,0 x 20mm

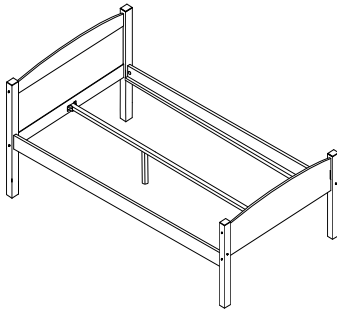
## TOOLS REQUIRED



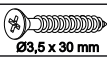
# STEP 13

## PARTS REQUIRED

05- SLATS (02 HOLES) x26

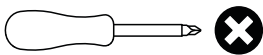


## HARDWARE REQUIRED

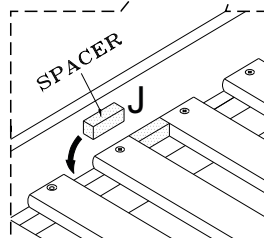
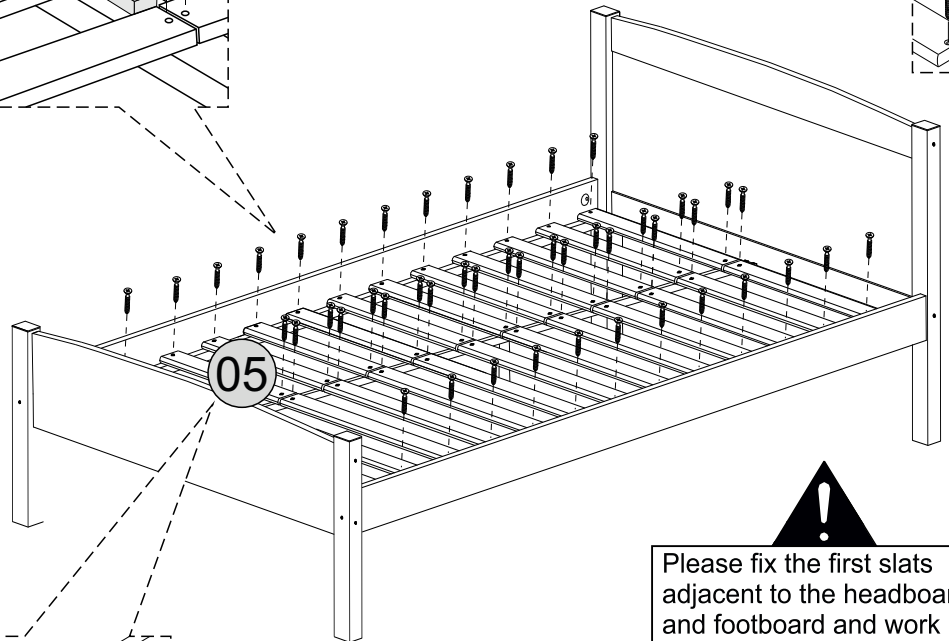
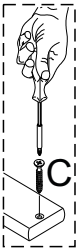
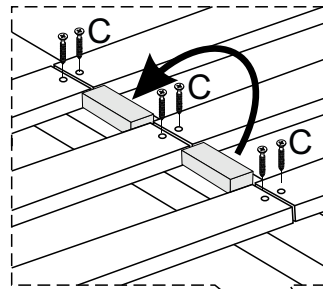
C  52  
Ø3,5 x 30 mm

J  02  
SPACER

## TOOLS REQUIRED



200KG  
MAX BED  
WEIGHT



**!**  
Please fix the first slats adjacent to the headboard and footboard and work towards the middle of the bed using the spacer ( J ) as shown to ensure correct spacing. Fix all the slats to one siderail first then push the second siderail tight against the slats and fix.