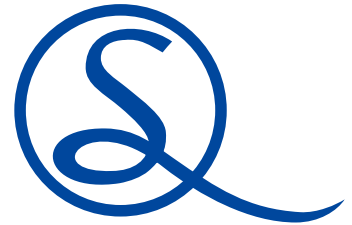
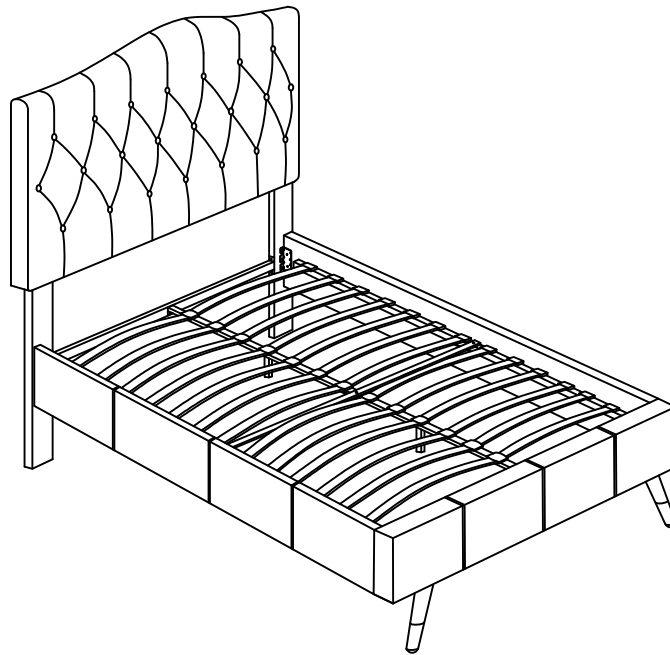


GREY VELVET FABRIC FREYA 4'6" BED ASSEMBLY INSTRUCTIONS



**MAX BED
WEIGHT**



FOR DOMESTIC USE ONLY IMPORTANT

PLEASE READ BEFORE YOU CONTINUE FURTHER

THE PRODUCT YOU HAVE PURCHASED WILL GIVE YOU MANY YEARS OF SERVICE IF YOU FOLLOW THE GUIDELINES FOR ITS SAFE ASSEMBLY AND PERIODIC MAINTENANCE AND CLEANING.

ASSEMBLE ON A SOFT CLEAN SURFACE.

DO NOT USE ANY TOOLS OTHER THAN THOSE SHOWN.

ANY SPANNERS OR ALLEN KEYS REQUIRED ARE INCLUDED WITH THE FITTINGS KIT.

DO NOT FOR ANY REASON USE A POWER TOOL TO ASSEMBLE THIS PRODUCT. ITS USE WILL INVALIDATE ANY CLAIM YOU MAY HAVE AND COULD MAKE THIS PRODUCT UNSAFE.

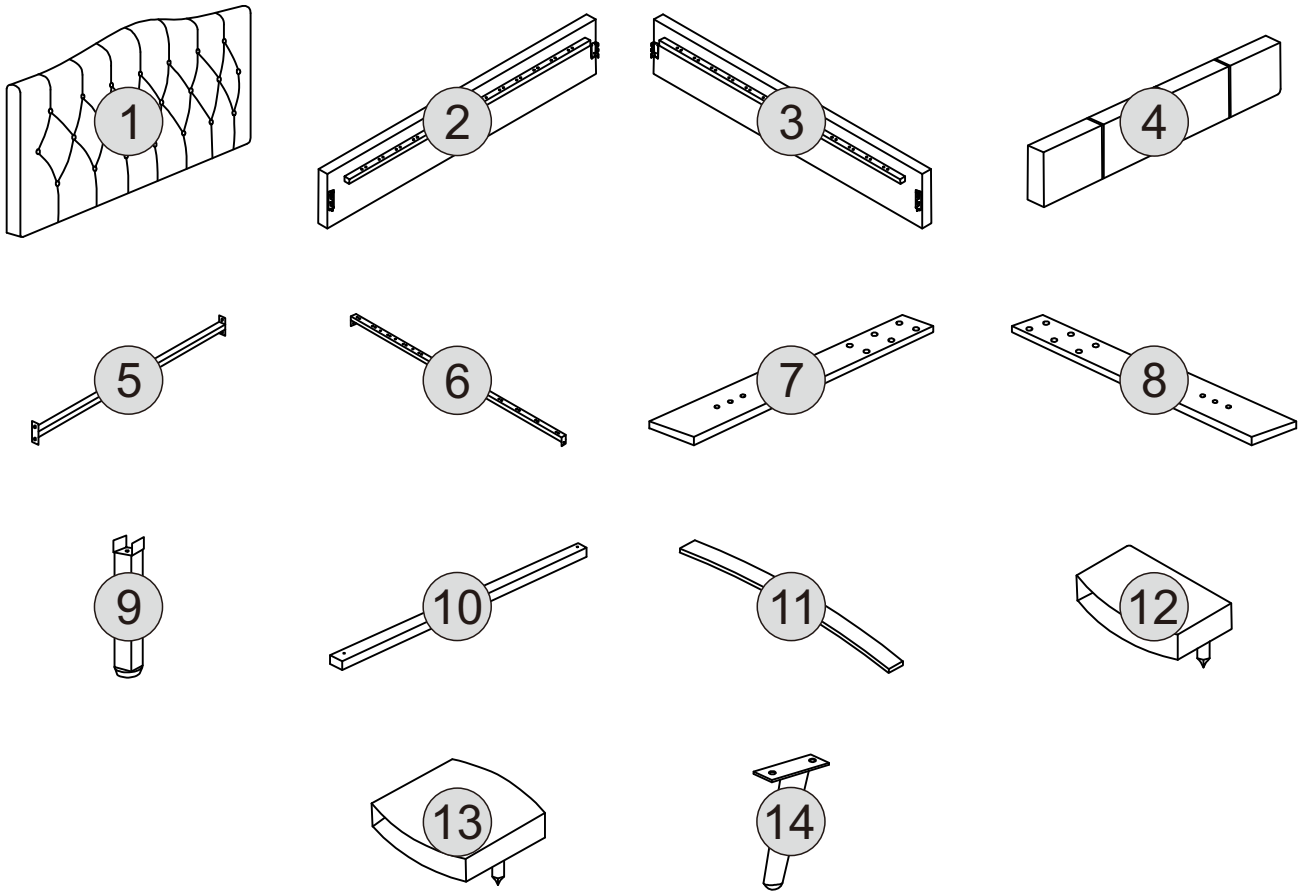
DEPENDING ON THE AMOUNT OF USE THIS PRODUCT RECEIVES IT MAY BE NECESSARY TO TIGHTEN UP THE FIXINGS FROM TIME TO TIME. THIS IS COMPLETELY NORMAL FOR ANY FLAT PACK FURNITURE.

DO NOT OVERTIGHTEN FIXINGS.

FOR CLEANING, YOU MAY USE A DAMP CLOTH (NOT WET) DO NOT USE POLISH, DETERGENT OR CHEMICAL CLEANERS

THIS PRODUCT MAY STAIN OR MARK IF ALLOWED TO COME INTO CONTACT WITH WET OR DAMP OBJECTS AS MATERIALS USED HAVE NOT BEEN SCOTCH GUARDED.

THE SURFACE OF THIS ITEM IS NOT HEAT RESISTANT. ALWAYS USE A PLACE MAT UNDER HOT OR COLD ITEMS TO PREVENT MARKING.


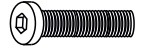
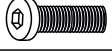





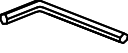
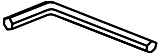



PART LIST

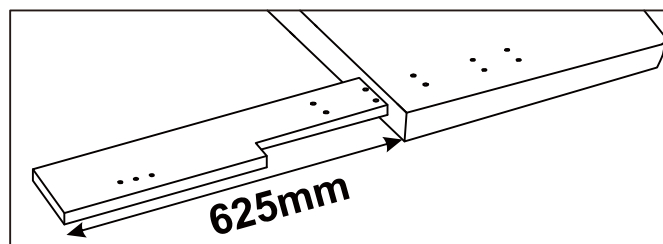
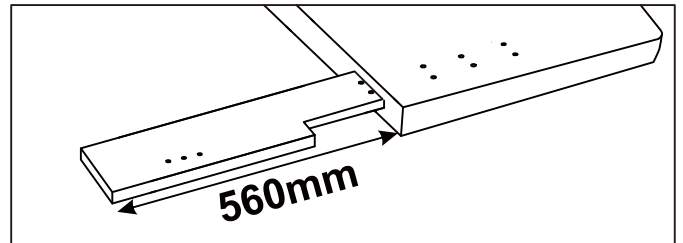
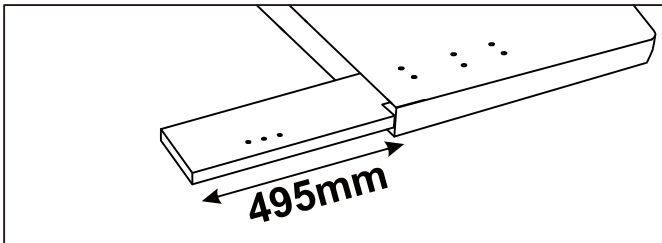
Part Number	Part Code	Part Description	Quantity	Carton
1	S200-203-115-HA1-01	Headboard	1	1/2
2	S200-203-115-HA1-02	Left Side Rail	1	2/2
3	S200-203-115-HA1-03	Right Side Rail	1	2/2
4	S200-203-115-HA1-04	Footboard	1	2/2
5	S200-203-115-HA1-05	Headboard Frame Rail	1	2/2
6	S200-203-115-HA1-06	Centre Frame Rail	1	2/2
7	S200-203-115-HA1-07	Right Leg	1	2/2
8	S200-203-115-HA1-08	Left Leg	1	2/2
9	S200-203-115-HA1-09	Support Leg	1	2/2
10	S200-203-115-HA1-10	Crossrail	1	2/2
11	S200-203-115-HA1-11	Slats	26	1/2
12	S200-203-115-HA1-12	Plastic Slat Cap	26	2/2
13	S200-203-115-HA1-13	Centre Slat Cap	13	2/2
14	S200-203-115-HA1-14	Leg	2	1/2

**PLEASE CHECK THAT YOU HAVE ALL THE PARTS LISTED
BEFORE YOU START ASSEMBLING. IF YOU DO FIND THAT
SOMETHING IS MISSING. DO NOT CONTINUE ASSEMBLY.
PLEASE CONTACT YOUR SUPPLIER IMMEDIATELY.**

HARDWARE LIST

REF		HARDWARE NAME	QTY
A		5/16" x 2" BOLT	9 PCS
B		1/4" x 2" BOLT	8 PCS
C		1/4" x 1/4" BOLT	6 PCS
D		1/4" x 1" BOLT	10 PCS
E		5/16" x 19MM FLAT WASHER	25 PCS
F		5/16" x 22MM FLAT WASHER	8 PCS
G		5/16" x 13MM SPRING WASHER	14 PCS
H		5/16" x 12MM NUT	3 PCS
I		M4 ALLEN KEY	1 PC
J		M5 ALLEN KEY	1 PC
K		12MM SPANNER	1 PC

**PLEASE USE THE MEASUREMENTS REFERENCED
BELOW TO FIT YOUR LEFT AND RIGHT LEG TO YOUR
HEADBOARD WITH THE HEIGHT YOU WOULD LIKE YOUR
BED TO BE.**






STEP 1

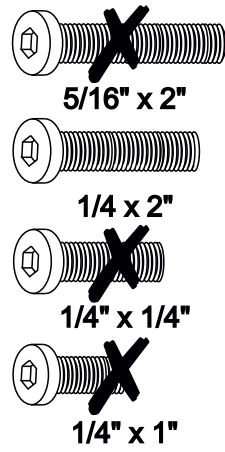
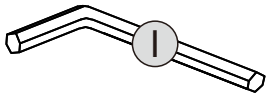
PARTS REQUIRED

1 - HEADBOARD	x1
7 - RIGHT LEG	x1
8 - LEFT LEG	x1

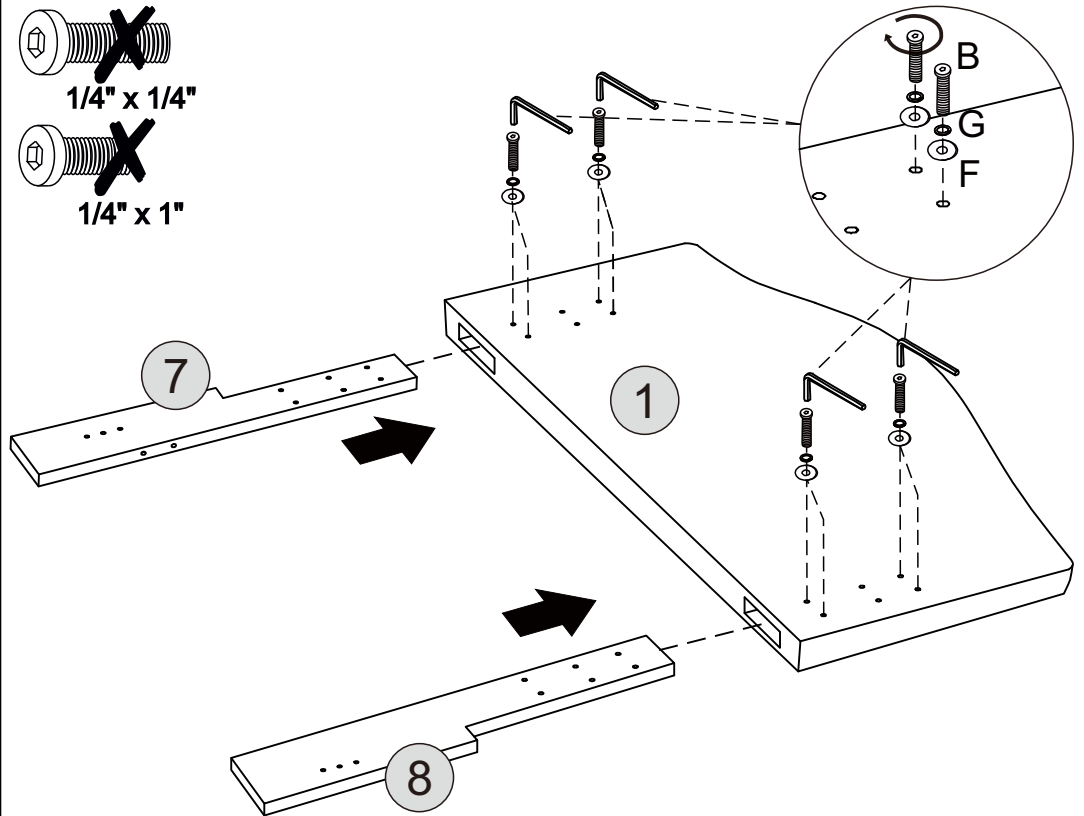
HARDWARE REQUIRED

B		08
F		08
G		08

TOOLS REQUIRED



HEADBOARD HEIGHT IS ADJUSTABLE BY 65MM.
PLEASE GO TO PAGE 3 FOR REFERENCE.






STEP 2

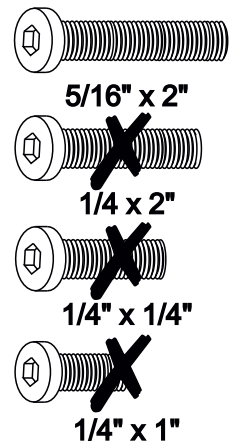
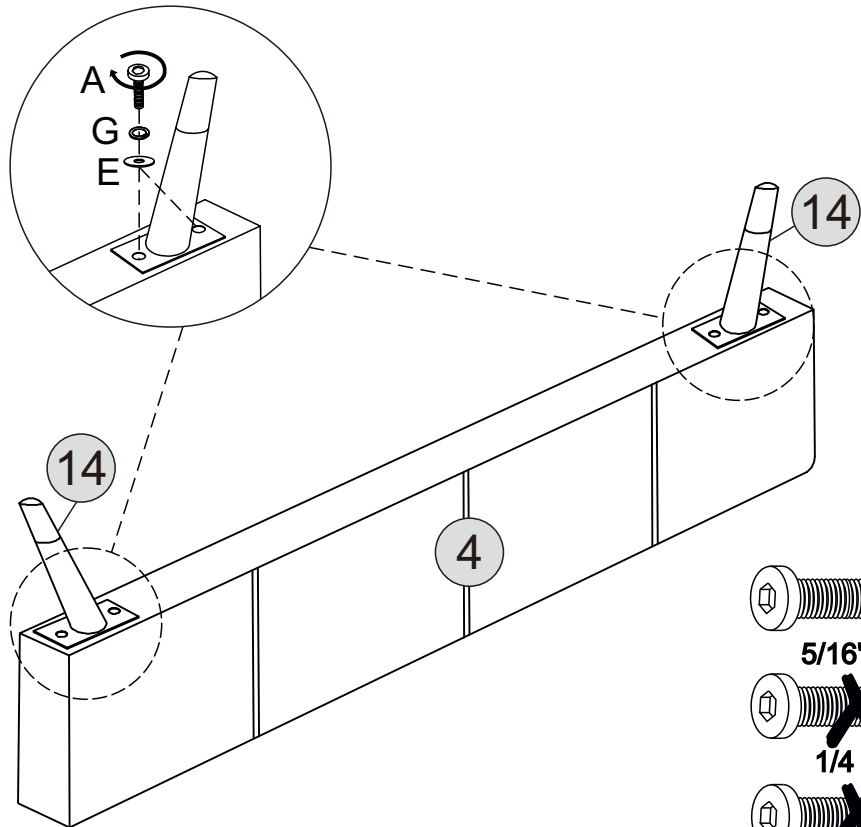
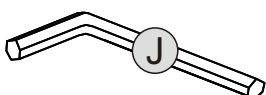
PARTS REQUIRED

4 - FOOTBOARD	x1
14- LEG	x2

HARDWARE REQUIRED

A		04
E		04
G		04

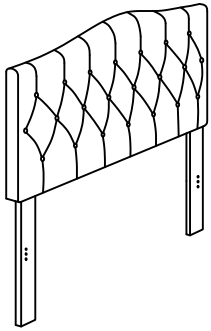
TOOLS REQUIRED




STEP 3

PARTS REQUIRED

5 - HEADBOARD FRAME RAIL x1

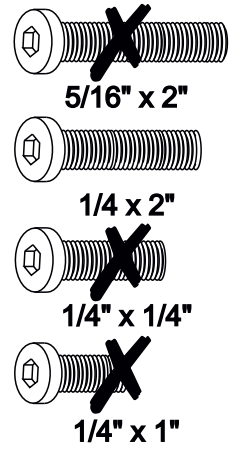
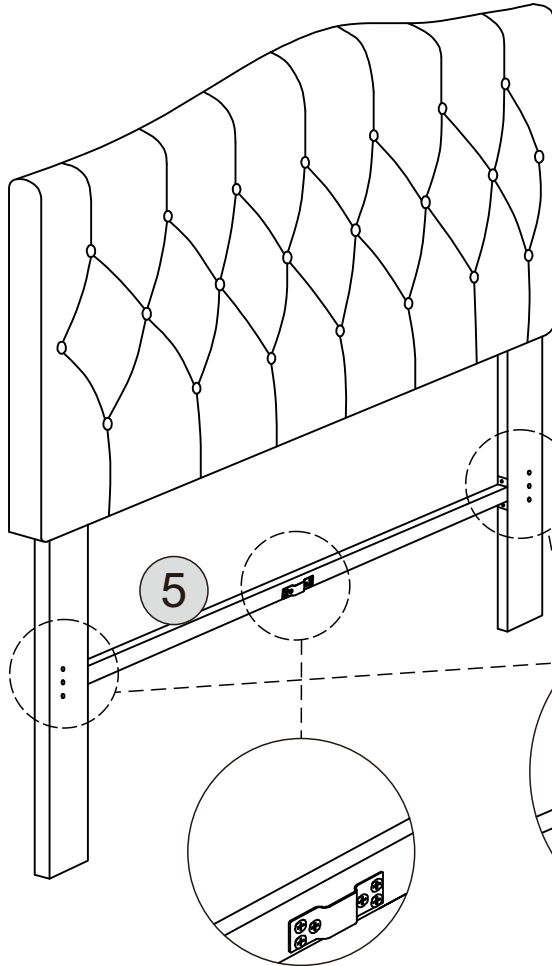
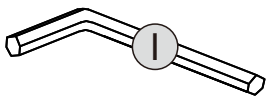


HARDWARE REQUIRED

D  04
1/4 x 2"

E  04

TOOLS REQUIRED

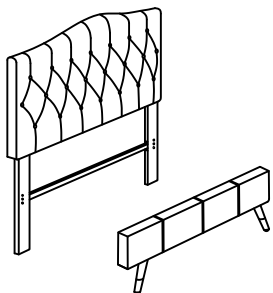


STEP 4

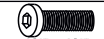
PARTS REQUIRED

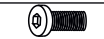
2 - LEFT SIDE RAIL x1

3 - RIGHT SIDE RAIL x1



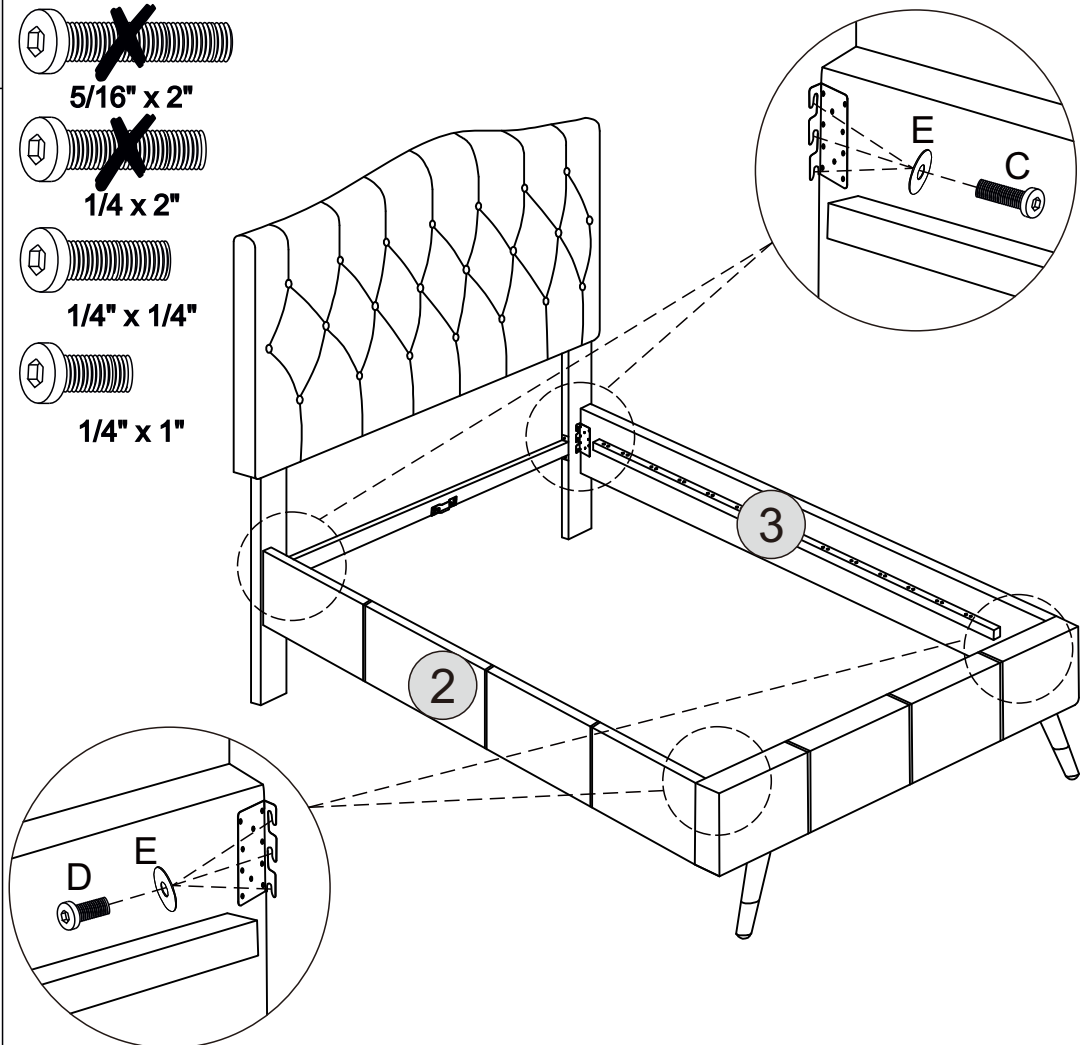
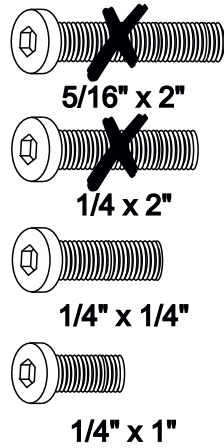
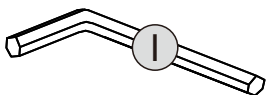
HARDWARE REQUIRED

C  06
1/4 x 1 1/4"

D  06
1/4 x 1"

E  12

TOOLS REQUIRED






STEP 5

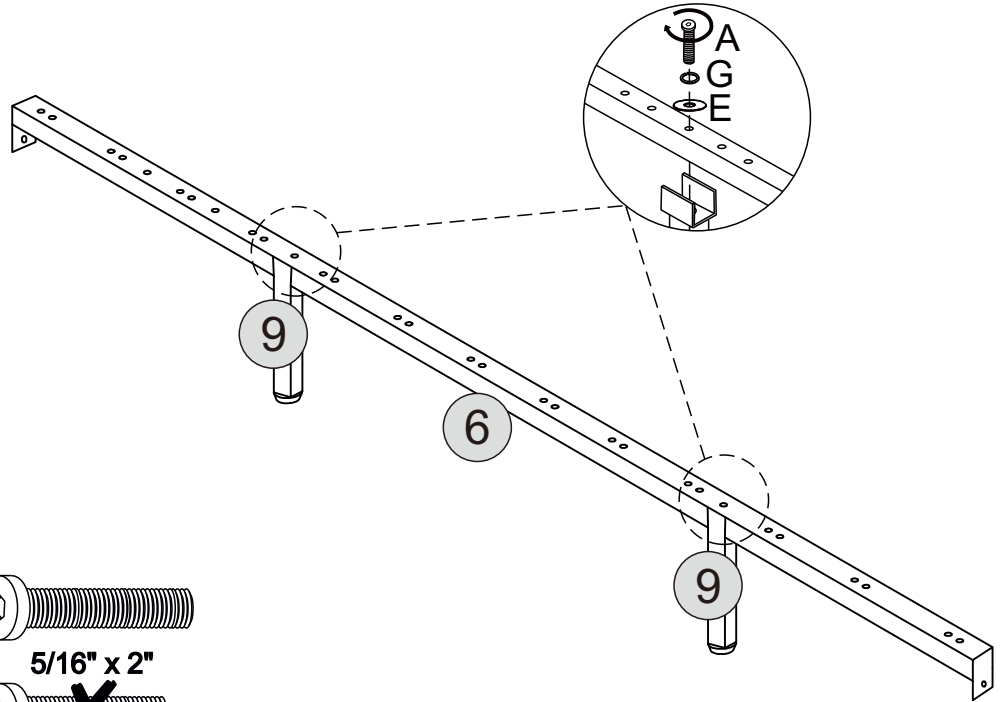
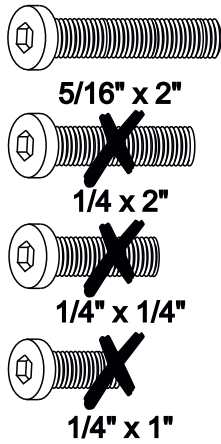
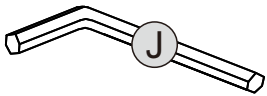
PARTS REQUIRED

6 - CENTRE FRAME RAIL	x1
9 - SUPPORT LEG	x2

HARDWARE REQUIRED

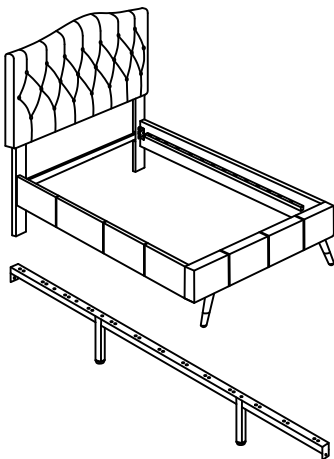
A		02
E		02
G		02

TOOLS REQUIRED



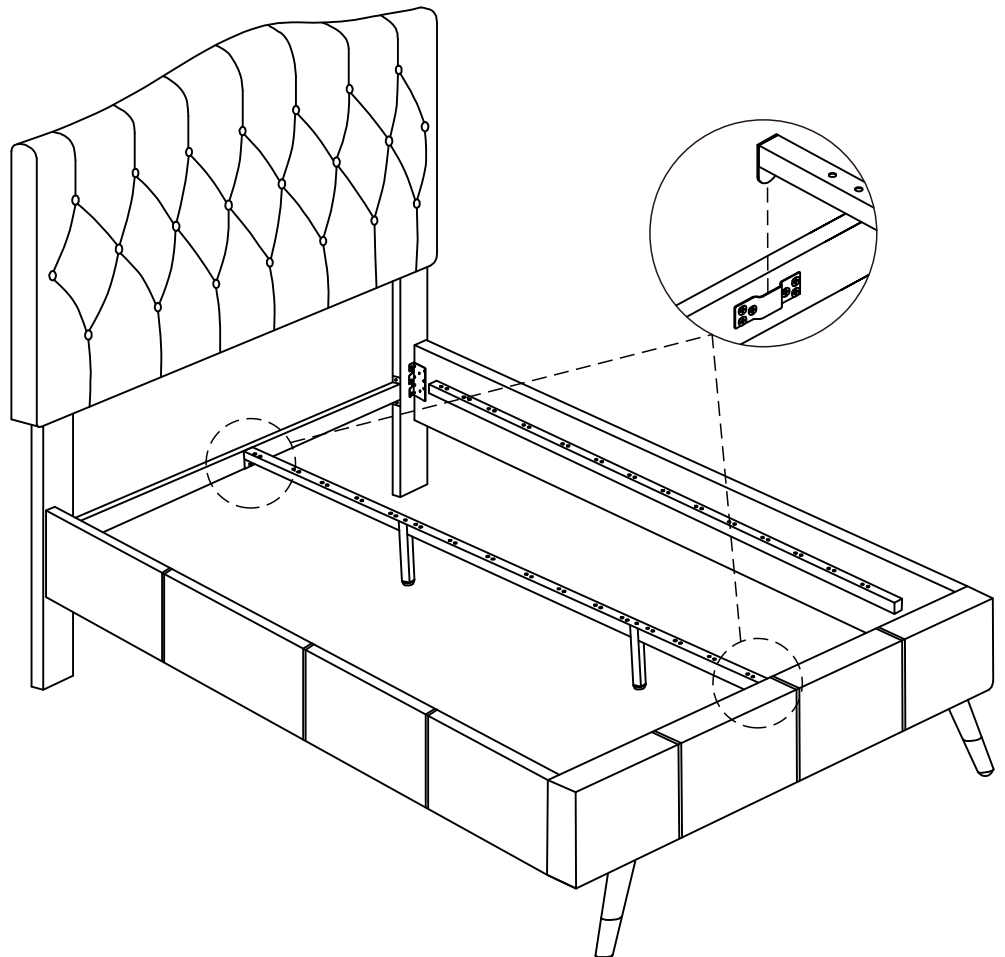
STEP 6

PARTS REQUIRED



HARDWARE REQUIRED

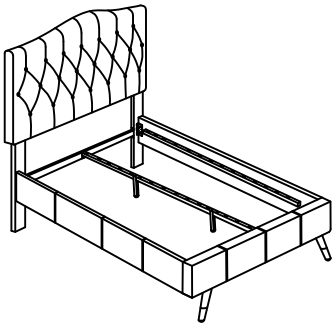
TOOLS REQUIRED




STEP 7

PARTS REQUIRED


10- CROSSRAIL x1



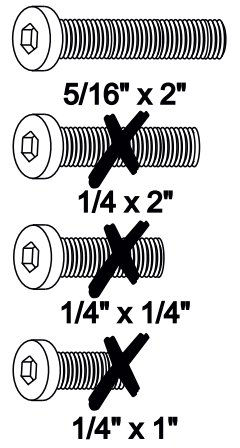
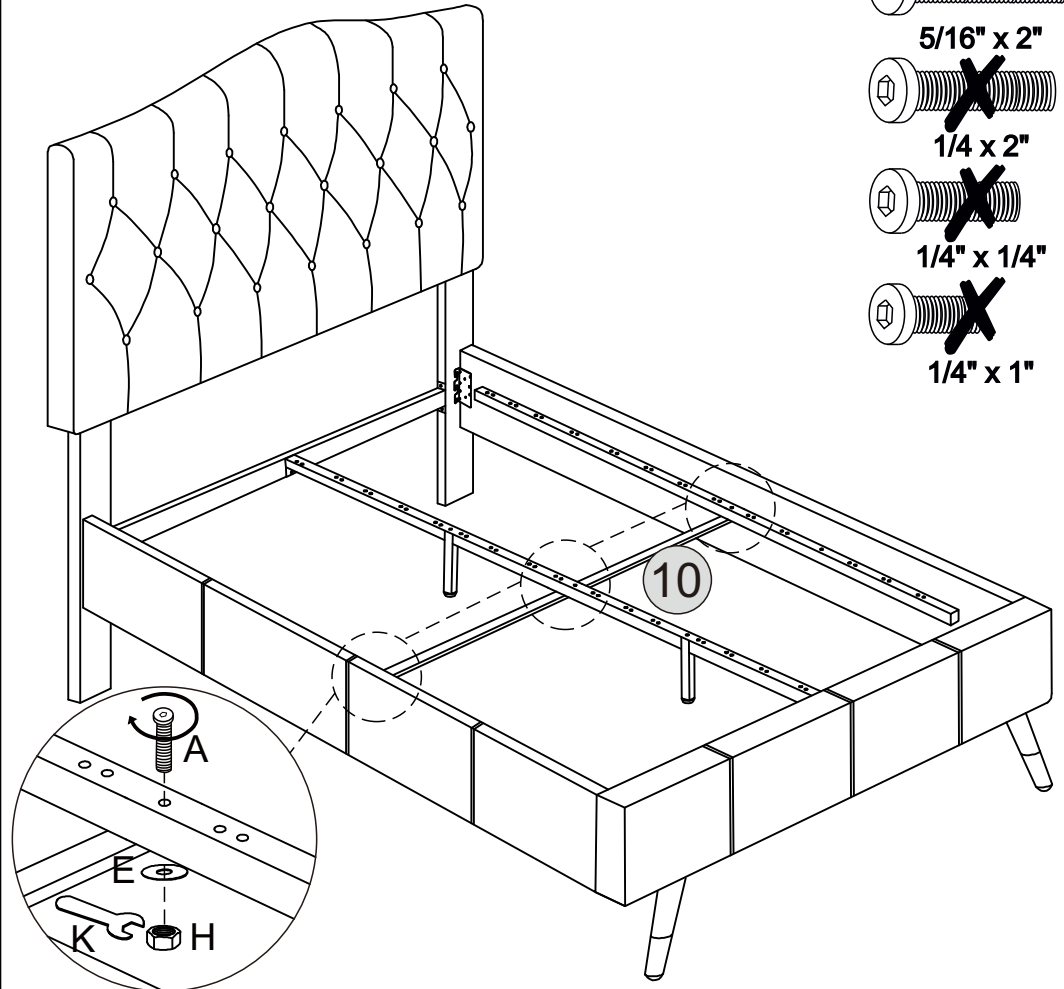
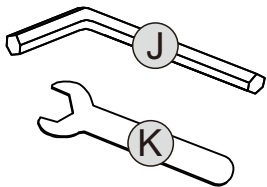
HARDWARE REQUIRED

A  03
5/16" x 2"

E  03

H  03

TOOLS REQUIRED



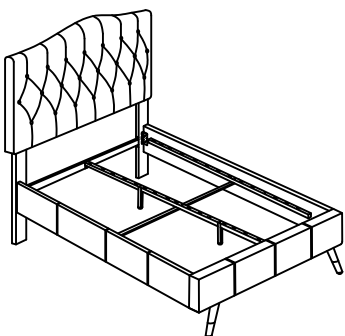
STEP 8

PARTS REQUIRED

11- SLATS x26

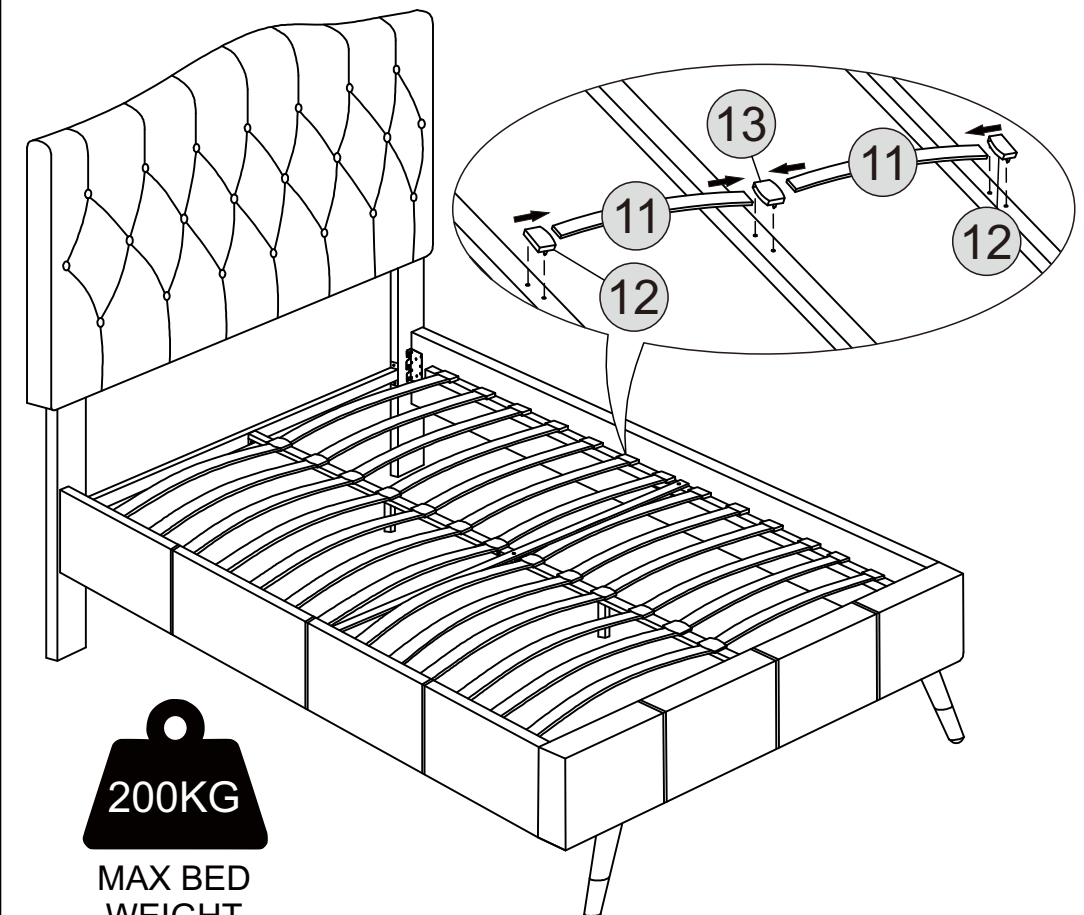
12- PLASTIC SLAT CAP x26

13- CENTRE SLAT CAP x13



HARDWARE REQUIRED

TOOLS REQUIRED



MAX BED WEIGHT