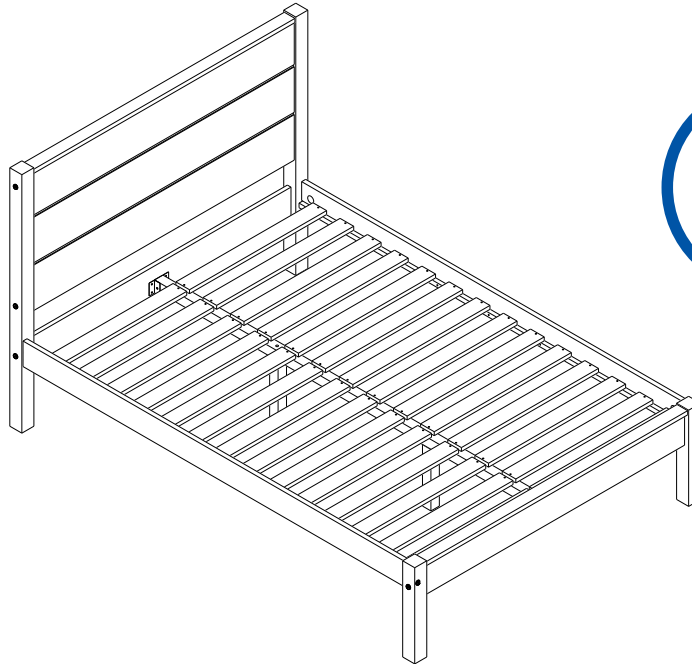


56967

# BARTON 4'6 BED WAXED PINE ASSEMBLY INSTRUCTIONS



**FOR DOMESTIC USE ONLY**

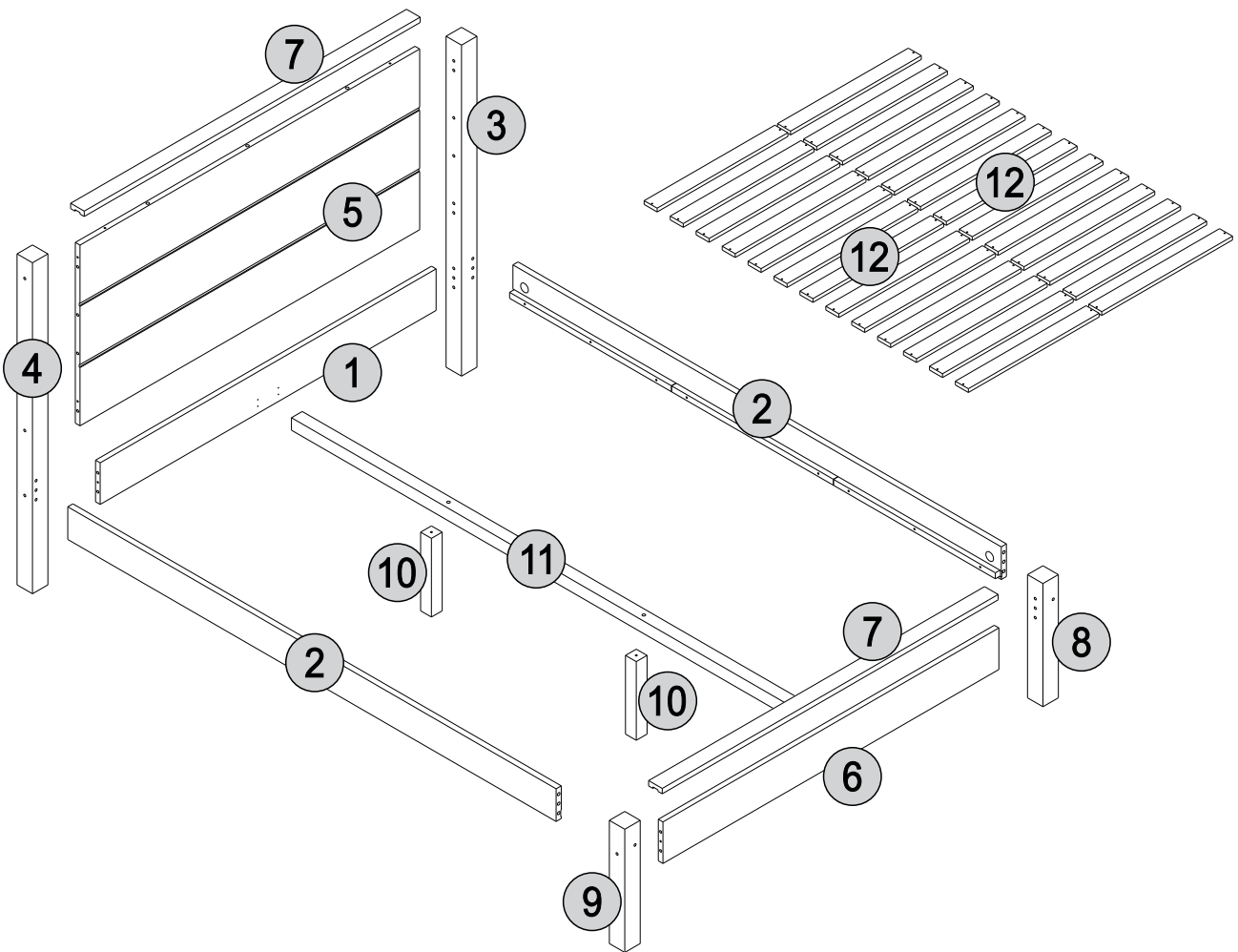
**IMPORTANT**

**PLEASE READ BEFORE YOU CONTINUE FURTHER**

## **CARE AND MAINTENANCE**

After unpacking this product please keep the original packaging in case it needs to be returned for any reason.

- Please ensure all fittings and parts are present before commencing with assembly.
- We recommend that you lay a blanket or sheet on the floor to avoid damage to both your floor and the product.
- We strongly recommend that you keep children away from your work area.
- Assemble this product as close to its final position as possible.
- Never drag or push products as this could cause damage to the joints making it inferior.
- Do not place this product next to a radiator or in direct sunlight.
- Wood is a natural product and may expand if subjected to damp and may shrink or crack if subjected to heat. Therefore it is recommended that room temperature is maintained, with no sudden temperature fluctuations.
- Make sure any spillage is wiped off immediately.
- Do not place hot or chilled items directly on to the surface, use a place mat or marking will occur.
- For general cleaning use a duster, and do not use detergents of any kind. However, the surface will need to be retreated from time to time. This can be done by using block wax (unperfumed) and rubbing it over the whole item.
- From time to time it may be necessary to tighten fittings, regular inspections should be carried out.



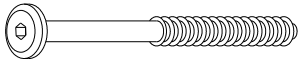
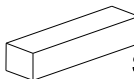
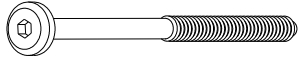
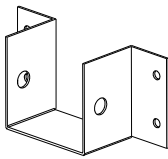

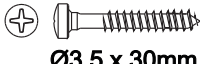
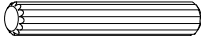



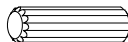



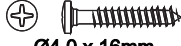
!   
 \* Use of power tools to assemble this product will invalidate any claim and damage this product making it unsafe !!!  
 \* Please assemble on a clean soft surface to avoid damage.

!   
 \* Please check contents and read the instructions before commencing assembly.  
 \* Assemble this product following the enclosed instructions carefully.  
 \* Please take care to avoid damaging panels during assembly.

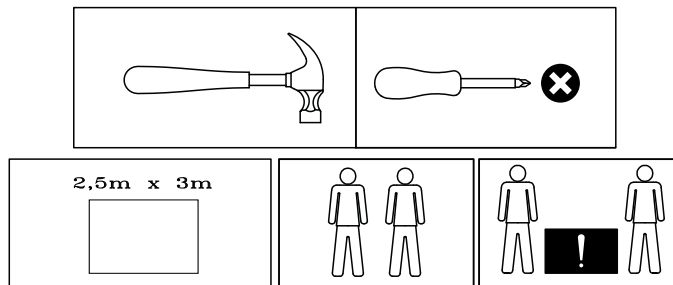
## PARTS LIST

Part Number	Part Code	Part Description	Quantity	Carton
1	S200-203-119-DC1-01	Headboard Crossbeam	1	1/2
2	S200-203-119-DC1-02	Siderail	2	2/2
3	S200-203-119-DC1-03	Headboard Right Post	1	1/2
4	S200-203-119-DC1-04	Headboard Left Post (Blue)	1	1/2
5	S200-203-119-DC1-05	Headboard Panel	1	1/2
6	S200-203-119-DC1-06	Footboard Panel	1	1/2
7	S200-203-119-DC1-07	Top Crossbeam	2	1/2
8	S200-203-119-DC1-08	Footboard Right Post	1	1/2
9	S200-203-119-DC1-09	Footboard Left Post (Blue)	1	1/2
10	S200-203-119-DC1-10	Centre Support Leg	2	1/2
11	S200-203-119-DC1-11	Centre Rail	1	2/2
12	S200-203-119-DC1-12	Slats	26	2/2

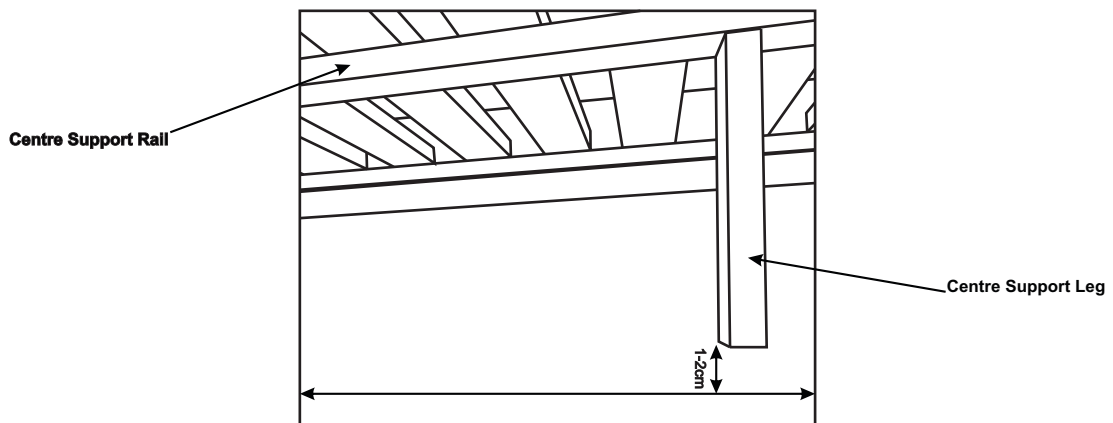
### FITTINGS

A	+1		08	I		SPACER	02
B	+1		04	J			02
C	+1		02				
D	+1		06	K	+2		16
E	+2		52	L			01
F	+1		04	M	+1		06
G	+1		08	N	+1		04
H			01	O	+1		08

### TOOLS REQUIRED



### CENTRE SUPPORT LEG ASSEMBLY



The 1-2 cm gap above prevents the centre legs from bending or breaking when weight is quickly redistributed. A shorter interior leg will allow the load of the user to be distributed over the entire load-bearing area before this leg touches the floor. Raised legs allow the slats a greater range of flexibility, and protects them from breaking. This provides a stronger overall structure by reducing the stress and push back force on the center leg supports. If the bed is moved or repositioned, interior legs cannot be dragged and are safeguarded from damage.

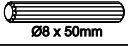
# STEP 1

## PARTS REQUIRED

1 - HEADBOARD CROSSBEAM x1

6 - FOOTBOARD PANEL x1

## HARDWARE REQUIRED

K  08  
Ø8 x 50mm

L  01  
GLUE

## TOOLS REQUIRED



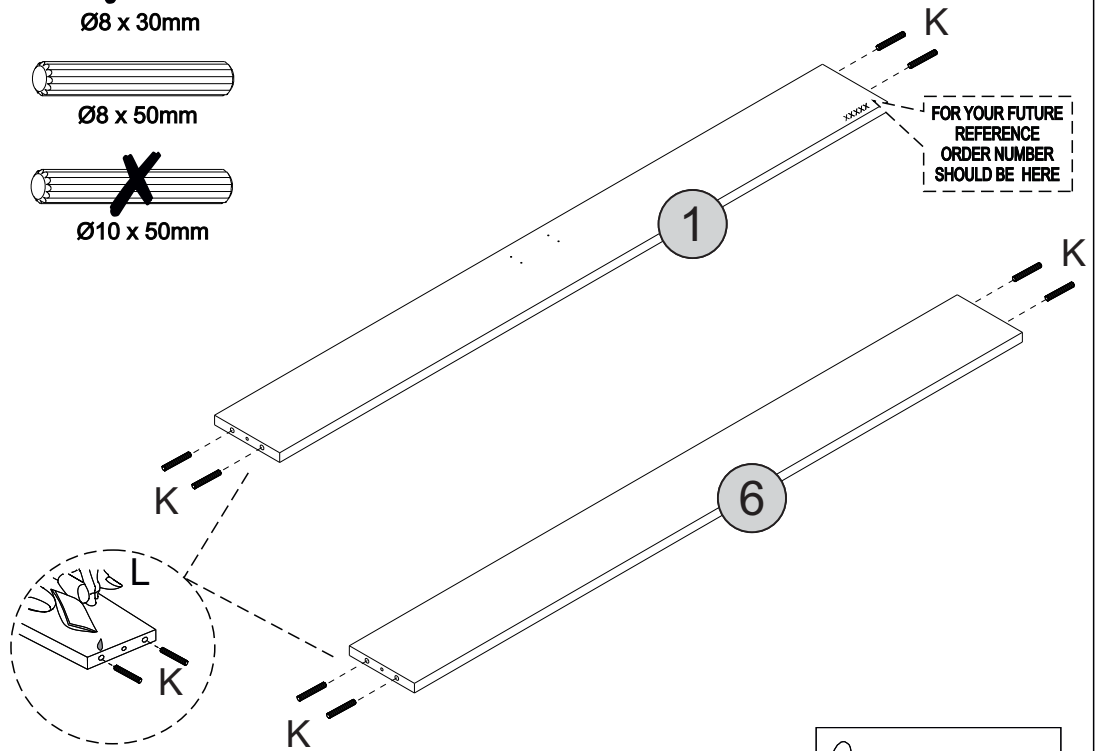
Ø8 x 30mm



Ø8 x 50mm



Ø10 x 50mm



  
**Please assemble on a clean soft surface to avoid damage.**




# STEP 2

## PARTS REQUIRED

2 - SIDERAIL x2

## HARDWARE REQUIRED

G  08  
Ø10x50mm

L  01  
GLUE

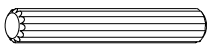
## TOOLS REQUIRED



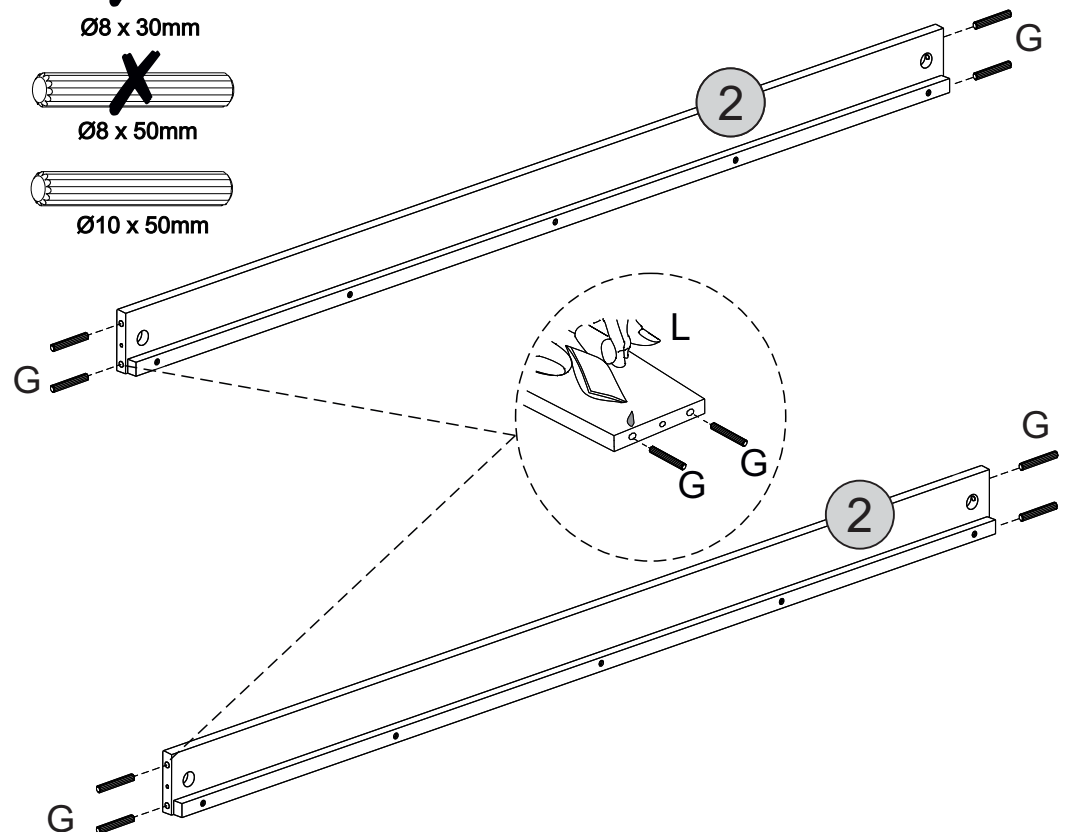
Ø8 x 30mm



Ø8 x 50mm



Ø10 x 50mm




# STEP 3

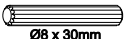
## PARTS REQUIRED

5 - HEADBOARD PANEL x1

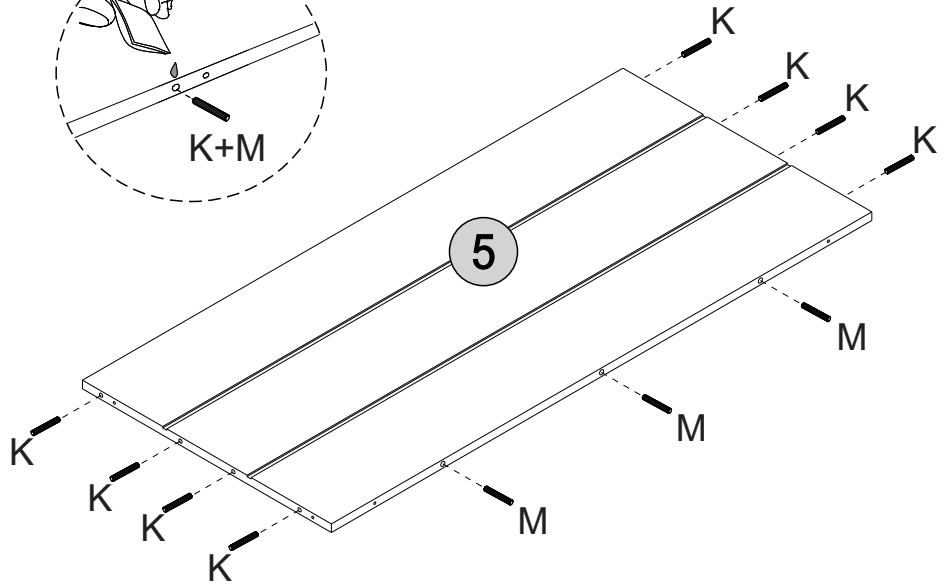
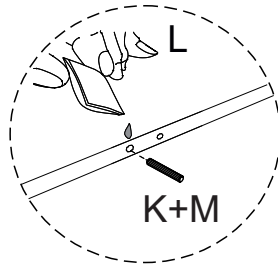
## HARDWARE REQUIRED

K  08  
Ø8 x 50mm

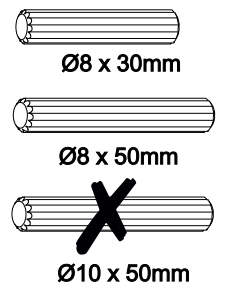
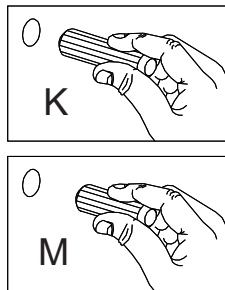
L  01  
GLUE

M  03  
Ø8 x 30mm

## TOOLS REQUIRED



  
Please assemble on a clean soft surface to avoid damage.



# STEP 4

## PARTS REQUIRED

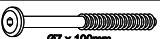
1 - HEADBOARD CROSSBEAM x1

3 - HEADBOARD RIGHT POST x1

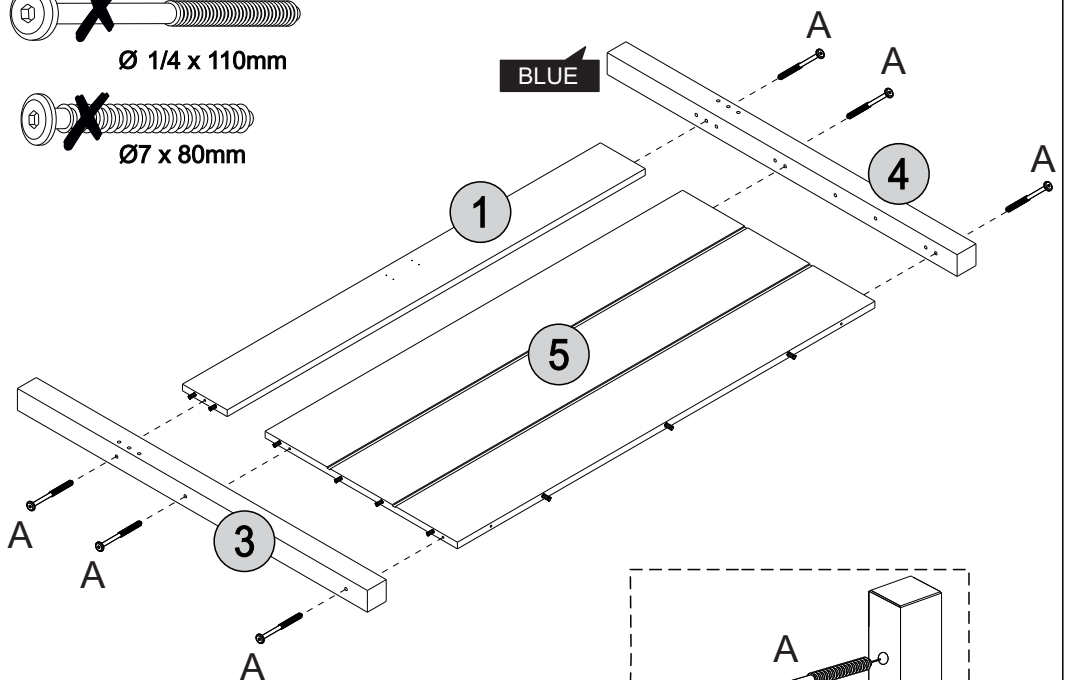
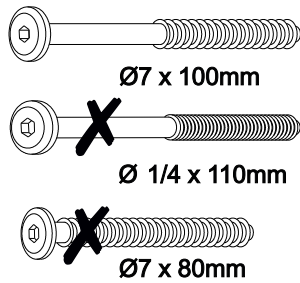
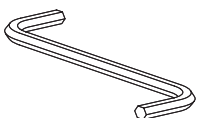
4 - HEADBOARD LEFT POST (BLUE) x1

5 - HEADBOARD PANEL x1

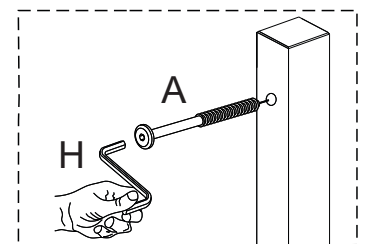
## HARDWARE REQUIRED

A  06  
Ø7 x 100mm

## TOOLS REQUIRED



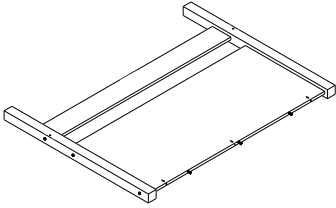
  
Please assemble on a clean soft surface to avoid damage.




# STEP 5

## PARTS REQUIRED

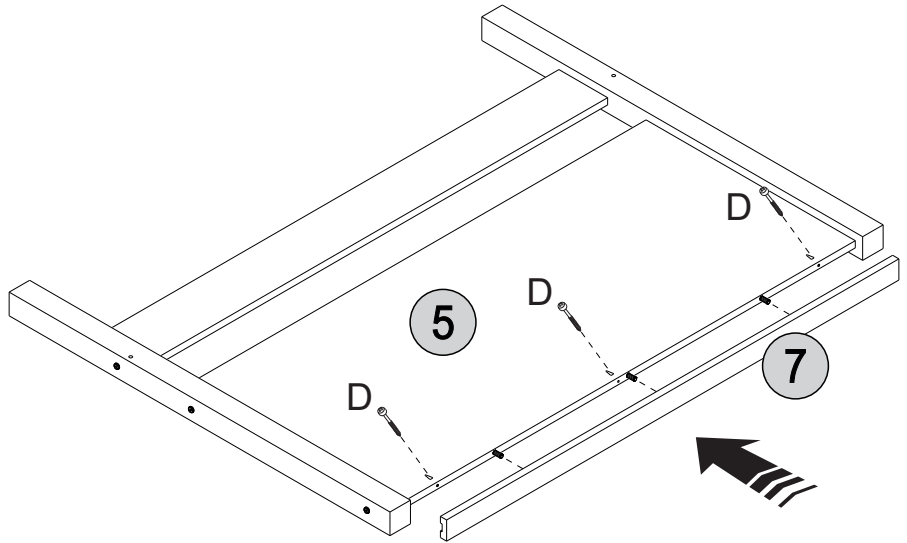
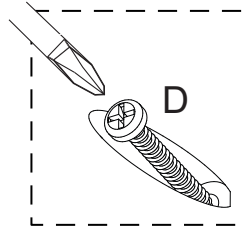
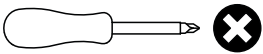
7 - TOP CROSSBEAM x1



## HARDWARE REQUIRED

D  03  
Ø3,5 x 30mm

## TOOLS REQUIRED



# STEP 6


## PARTS REQUIRED


6 - FOOTBOARD PANEL x1

8 - FOOTBOARD RIGHT POST x1

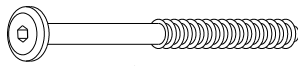
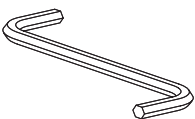
9 - FOOTBOARD LEFT POST (BLUE) x1

## HARDWARE REQUIRED

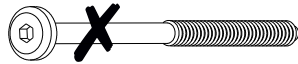
A  02  
Ø7 x 100mm

M  03  
Ø8 x 30mm

## TOOLS REQUIRED



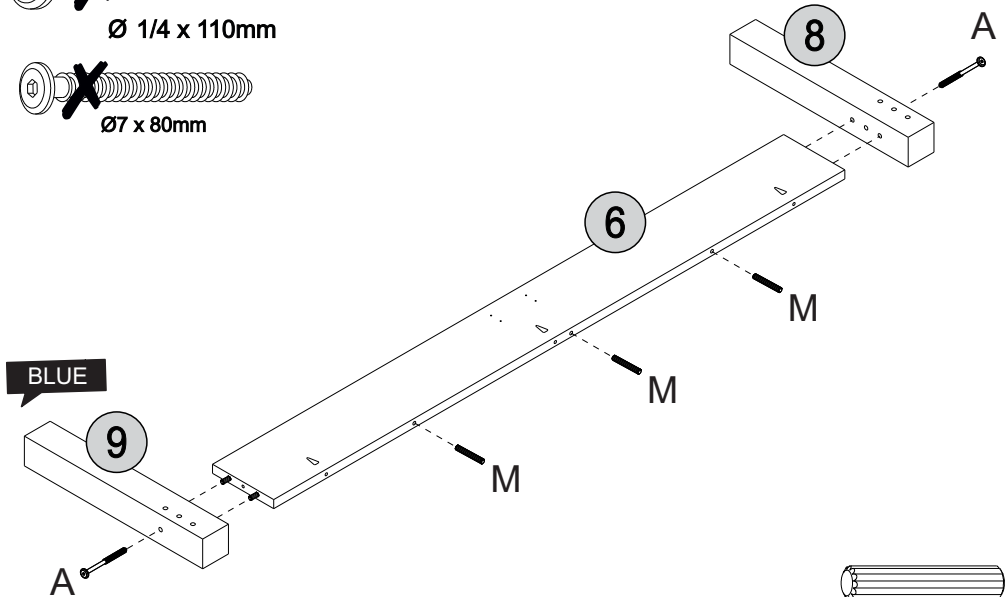
Ø7 x 100mm



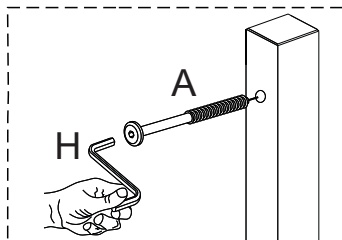
Ø 1/4 x 110mm



Ø7 x 80mm



 Please assemble on a clean soft surface to avoid damage.



Ø8 x 30mm



Ø8 x 50mm

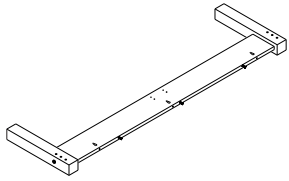


Ø10 x 50mm


# STEP 7

## PARTS REQUIRED

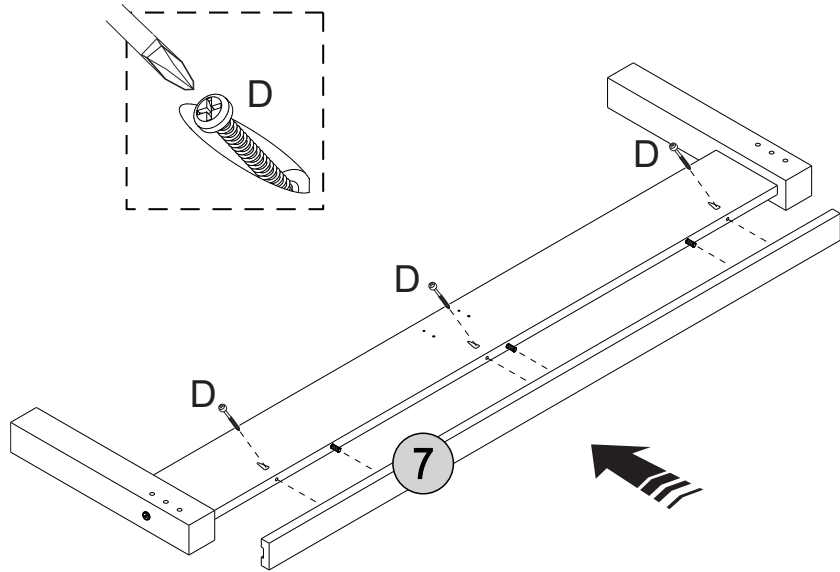
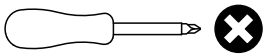
7 - TOP CROSSBEAM x1



## HARDWARE REQUIRED

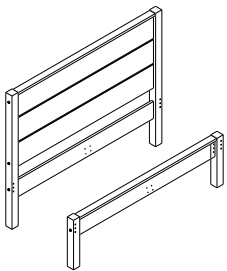
D  03  
Ø3,5 x 30mm

## TOOLS REQUIRED

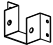



# STEP 8

## PARTS REQUIRED

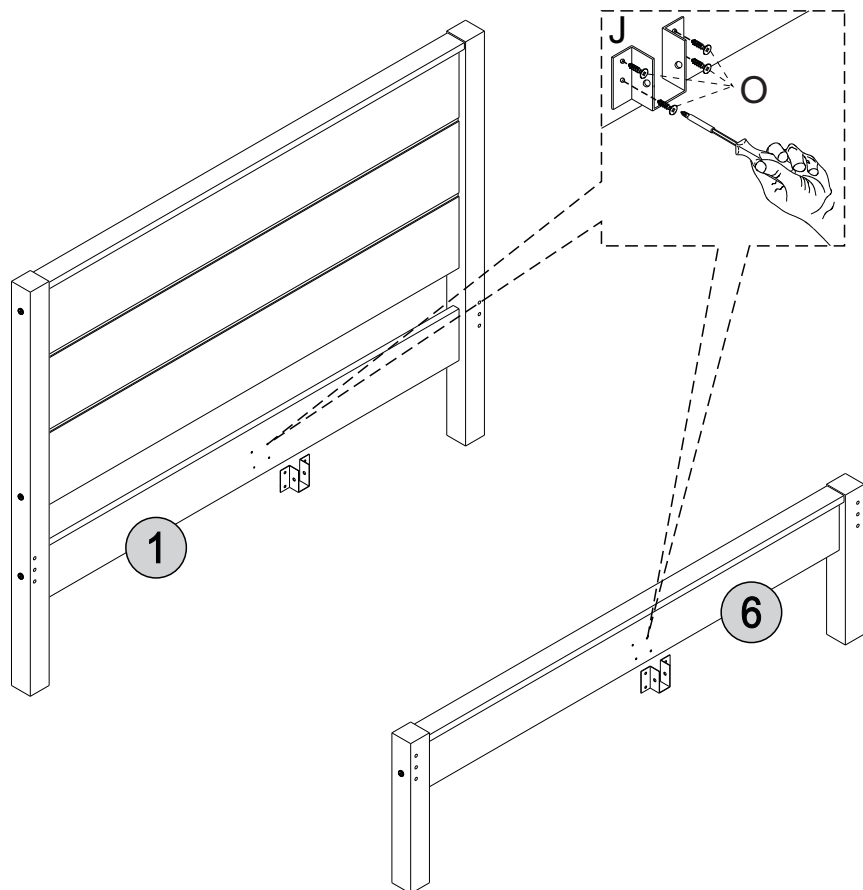
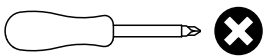


## HARDWARE REQUIRED

J  02

O  08  
Ø4,0 x 16mm

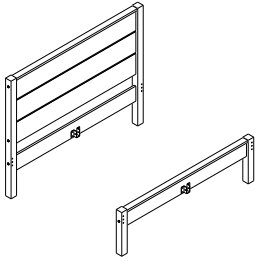
## TOOLS REQUIRED




# STEP 9

## PARTS REQUIRED

2 - SIDERAIL x2

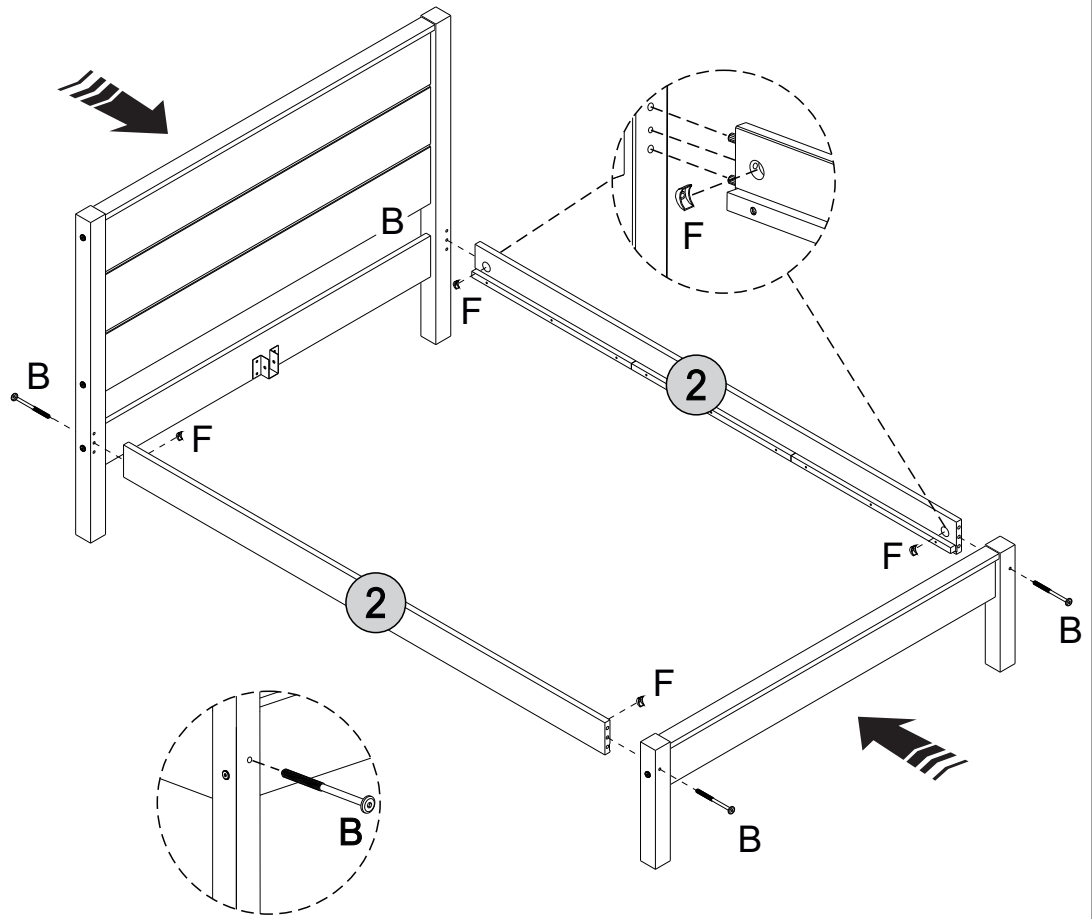
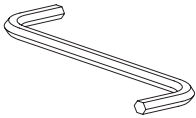


## HARDWARE REQUIRED

B  Ø1/4 x 110mm 04

F  1/4 04

## TOOLS REQUIRED




# STEP 10

## PARTS REQUIRED

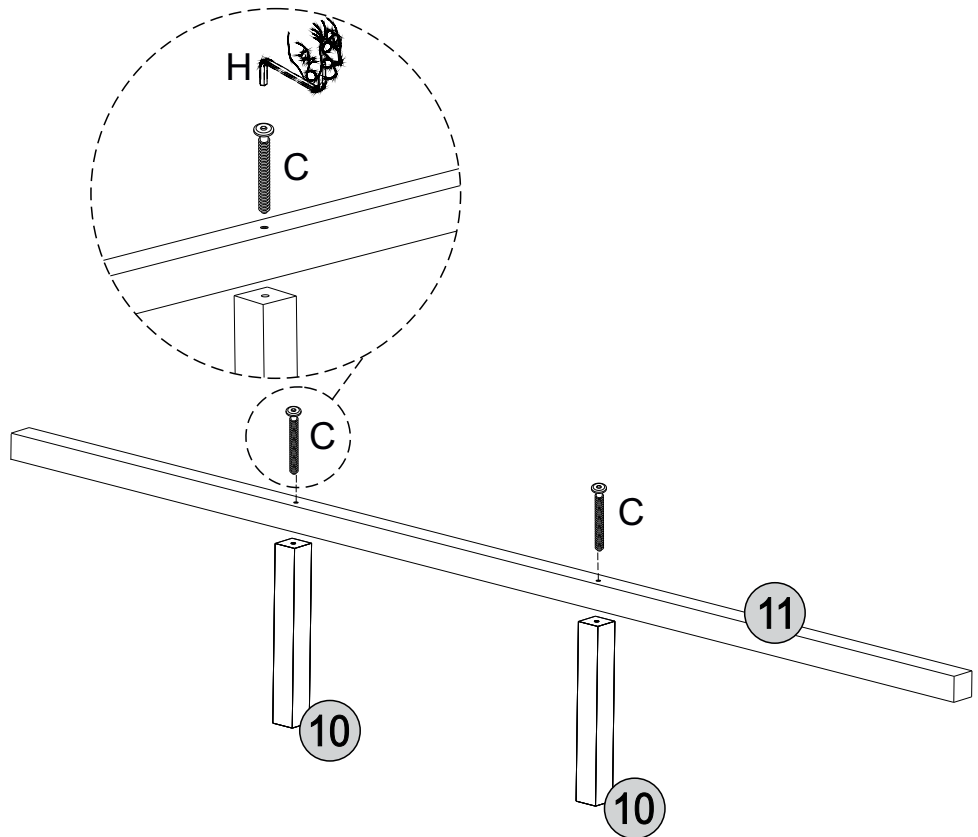
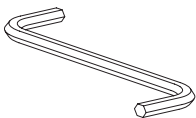
10 - CENTRE SUPPORT LEG x2

11 - CENTRE RAIL x1

## HARDWARE REQUIRED

C  17mm Ø7 x 80mm 02

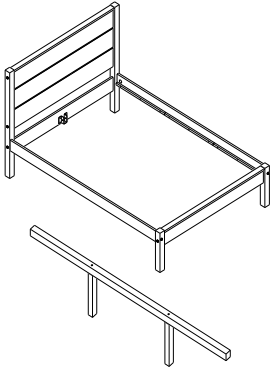
## TOOLS REQUIRED



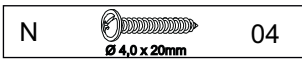


# STEP 11

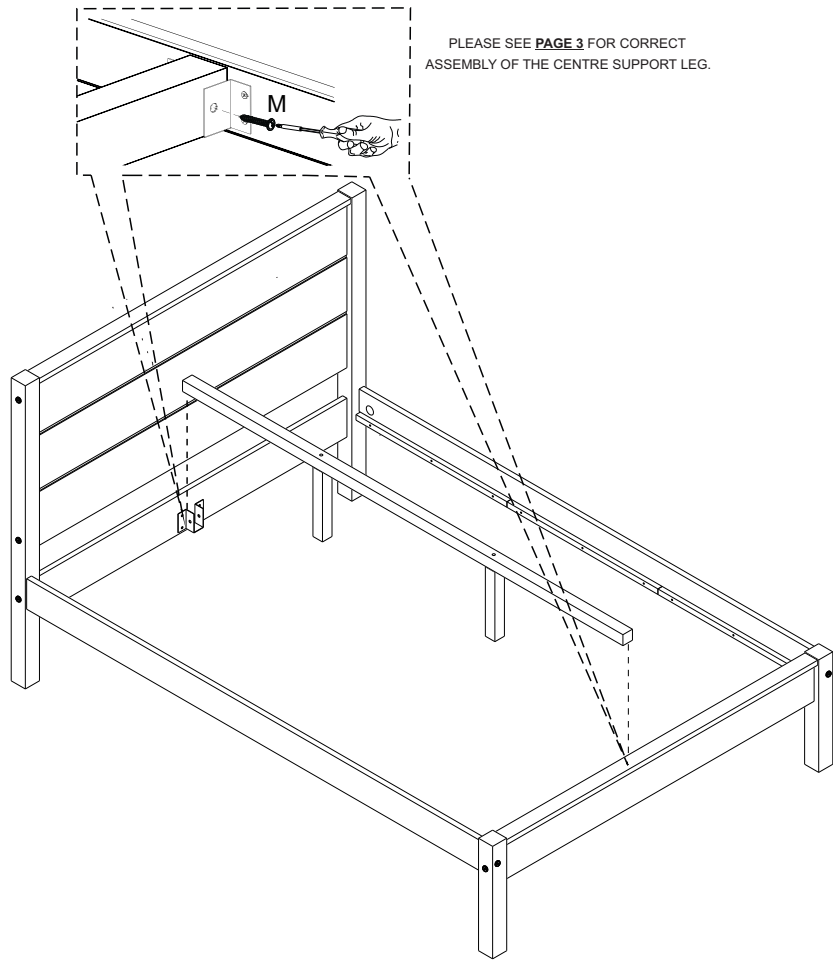
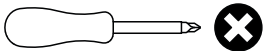
## PARTS REQUIRED



## HARDWARE REQUIRED



## TOOLS REQUIRED



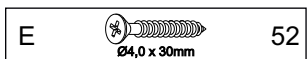
PLEASE SEE **PAGE 3** FOR CORRECT ASSEMBLY OF THE CENTRE SUPPORT LEG.

# STEP 12

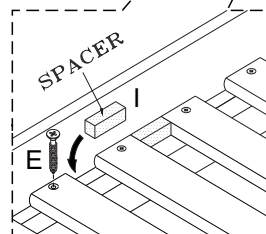
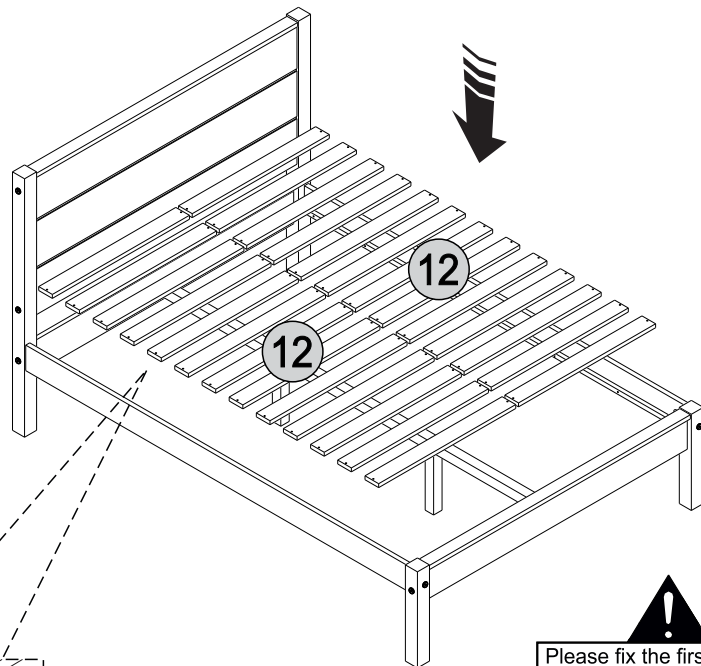
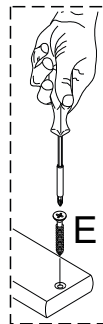
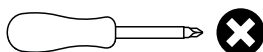
## PARTS REQUIRED

12 - SLATS	x26
------------	-----

## HARDWARE REQUIRED



## TOOLS REQUIRED



**!**  
Please fix the first slats adjacent to the headboard and footboard and work towards the middle of the bed using the spacer (I) as shown to ensure correct spacing. Fix all the slats to one siderail first then push the second siderail tight against the slats and fix.

