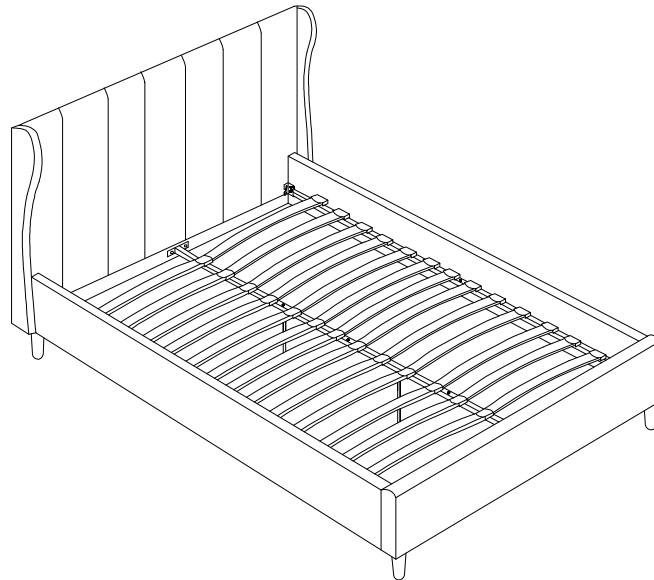


BLUE VELVET FABRIC AMELIA 5' BED ASSEMBLY INSTRUCTIONS



**MAX BED
WEIGHT**



**FOR DOMESTIC USE ONLY
IMPORTANT**

PLEASE READ BEFORE YOU CONTINUE FURTHER

THE PRODUCT YOU HAVE PURCHASED WILL GIVE YOU MANY YEARS OF SERVICE IF YOU FOLLOW THE GUIDELINES FOR ITS SAFE ASSEMBLY AND PERIODIC MAINTENANCE AND CLEANING.

ASSEMBLE ON A SOFT CLEAN SURFACE.

DO NOT USE ANY TOOLS OTHER THAN THOSE SHOWN.

ANY SPANNERS OR ALLEN KEYS REQUIRED ARE INCLUDED WITH THE FITTINGS KIT.

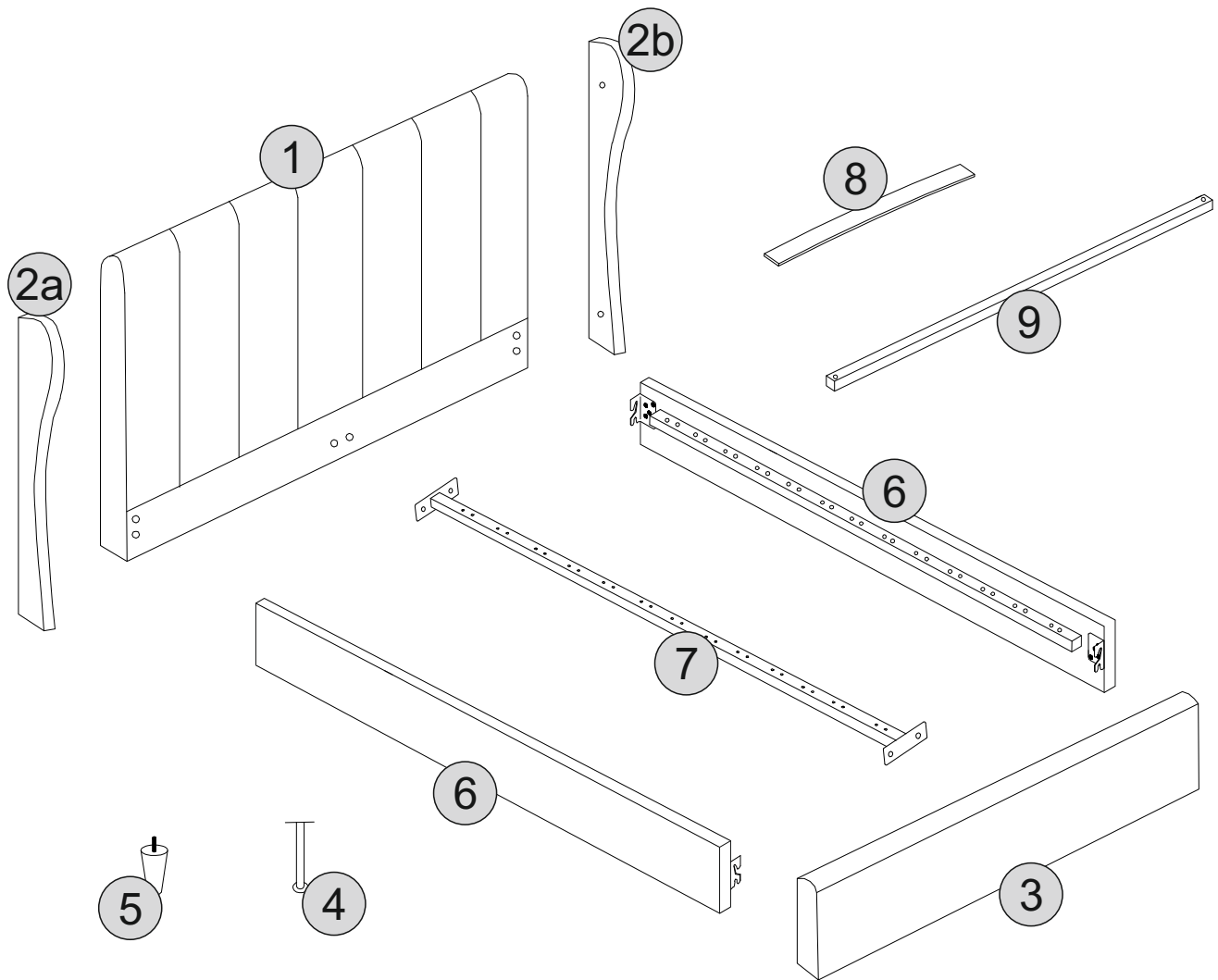
DO NOT FOR ANY REASON USE A POWER TOOL TO ASSEMBLE THIS PRODUCT . ITS USE WILL INVALIDATE ANY CLAIM YOU MAY HAVE AND COULD MAKE THIS PRODUCT UNSAFE.

DEPENDING ON THE AMOUNT OF USE THIS PRODUCT RECEIVES IT MAY BE NECESSARY TO TIGHTEN UP THE FIXINGS FROM TIME TO TIME. THIS IS COMPLETELY NORMAL FOR ANY FLAT PACK FURNITURE.

FOR CLEANING YOU MAY USE A DAMP CLOTH(NOT WET). DO NOT USE POLISH,DETERGENT OR CHEMICAL CLEANERS.

THIS PRODUCT MAY STAIN OR MARK IF ALLOWED TO COME INTO CONTACT WITH WET OR DAMP OBJECTS AS MATERIALS USED HAVE NOT BEEN SCOTCH GUARDED.

THE SURFACE OF THIS ITEM IS NOT HEAT RESISTANT, ALWAYS USE A PLACE MAT UNDER HOT OR COLD ITEMS. PREVENT MARKING






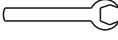




PART LIST

Part Number	Part Code	Part Description	Quantity	Carton
1	S200-204-041-YF1-01	Headboard	1	1/2
2a	S200-204-041-YF1-02A	Left Wing	1	1/2
2b	S200-204-041-YF1-02B	Right Wing	1	1/2
3	S200-204-041-YF1-03	Footboard	1	2/2
4	S200-204-041-YF1-04	Centre Support Leg	2	1/2
5	S200-204-041-YF1-05	Wooden Feet	4	2/2
6	S200-204-041-YF1-06	Side Rail	2	2/2
7	S200-204-041-YF1-07	Centre Rail	1	1/2
8	S200-204-041-YF1-08	Wooden Slat	28	2/2
9	S200-204-041-YF1-09	Centre Cross Rail	1	2/2

PLEASE CHECK THAT YOU HAVE ALL THE PARTS LISTED BEFORE YOU START ASSEMBLING, IF YOU DO FIND THAT SOMETHING IS MISSING, DO NOT CONTINUE ASSEMBLY. PLEASE CONTACT YOUR SUPPLIER IMMEDIATELY.

HARDWARE LIST

No	Part Name		Qty	Carton
A	5/16 x 25mm Bolt		x12	2/2
B	5/16 x 50mm Bolt		x11	2/2
C	M8 Washer		x18	2/2
D	Nut		x7	2/2
E	Allen Key		x1	2/2
F	Spanner		x1	2/2
G	Plastic Centre Cap		x14	1/2
H	Plastic End Cap		x28	1/2

PLEASE CHECK THAT YOU HAVE ALL THE PARTS LISTED BEFORE YOU START ASSEMBLING, IF YOU DO FIND THAT SOMETHING IS MISSING, DO NOT CONTINUE ASSEMBLY. PLEASE CONTACT YOUR SUPPLIER IMMEDIATELY.

STEP 1

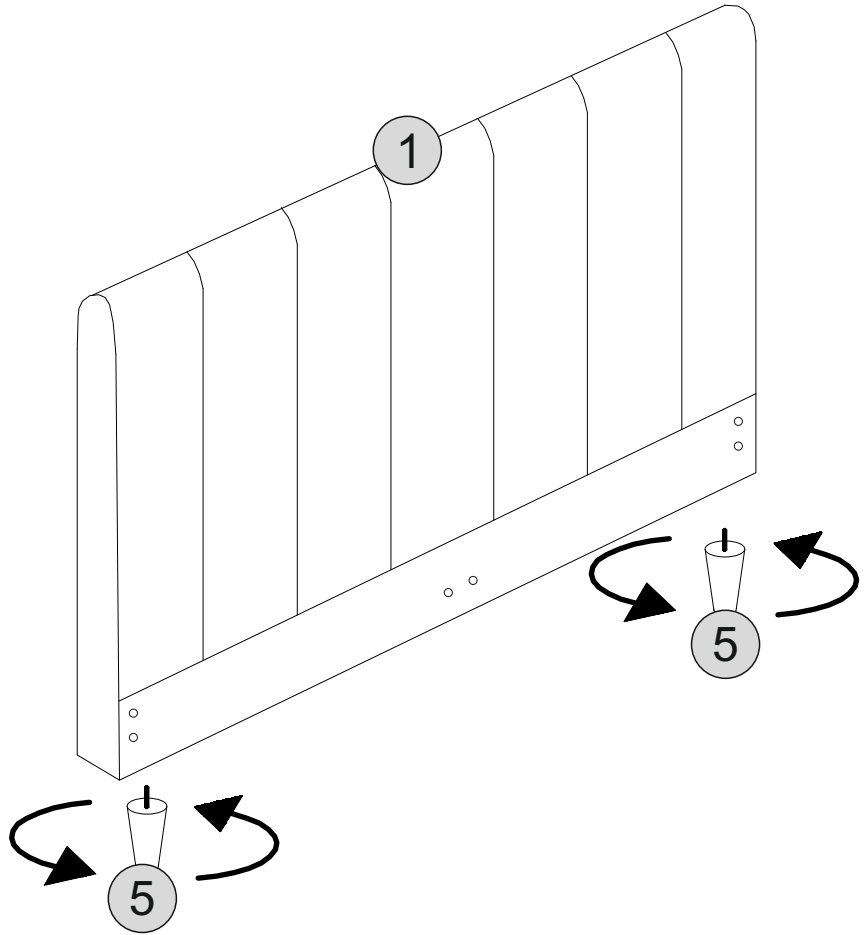
PARTS REQUIRED

1 - HEADBOARD x1

5 - WOODEN FEET x2

HARDWARE REQUIRED

TOOLS REQUIRED



STEP 2

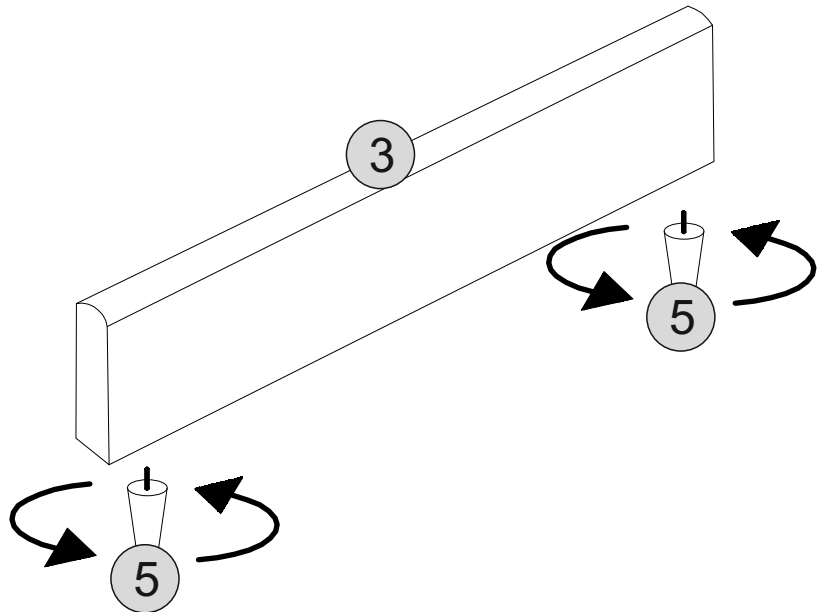
PARTS REQUIRED

3 - FOOTBOARD x1

5 - WOODEN FEET x2

HARDWARE REQUIRED

TOOLS REQUIRED



STEP 3

PARTS REQUIRED

1 - HEADBOARD x1

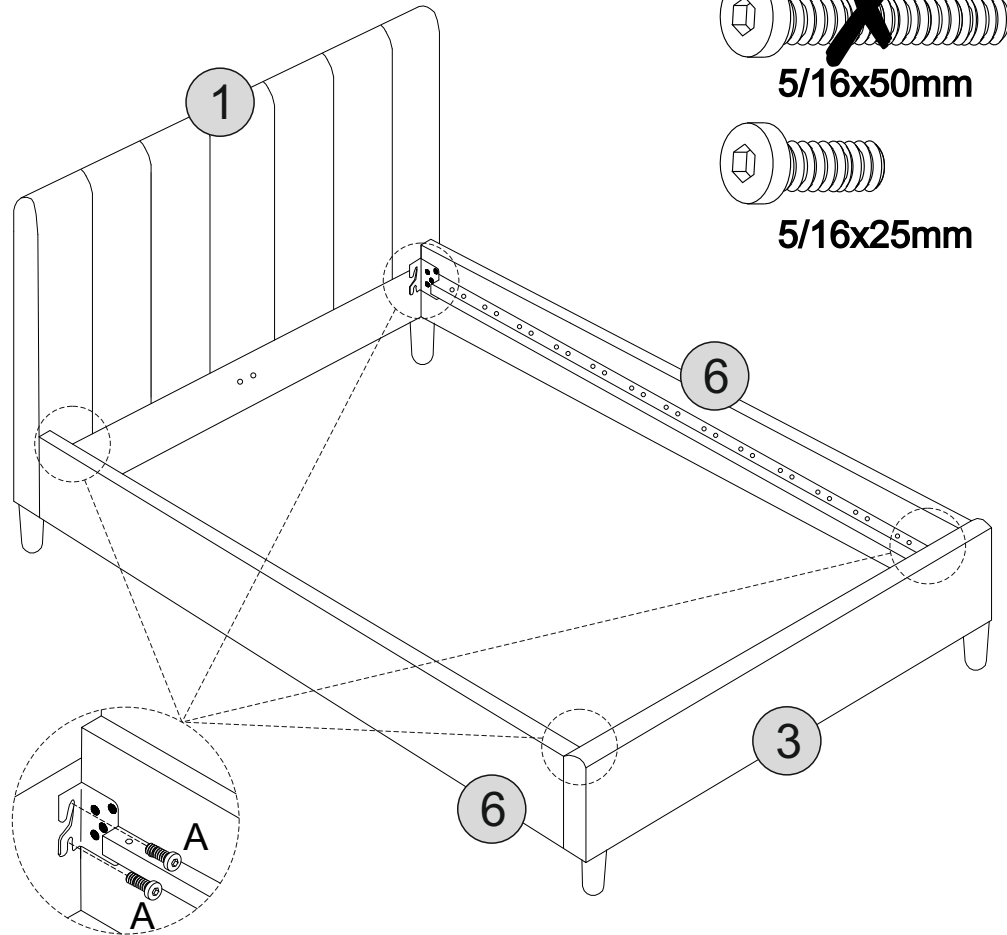
3 - FOOTBOARD x1

6 - SIDE RAIL x2

HARDWARE REQUIRED

A  08
5/16x25mm

TOOLS REQUIRED

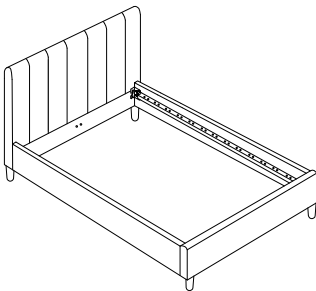


STEP 4

PARTS REQUIRED

4 - CENTRE SUPPORT LEG x2

7 - CENTRE RAIL x1



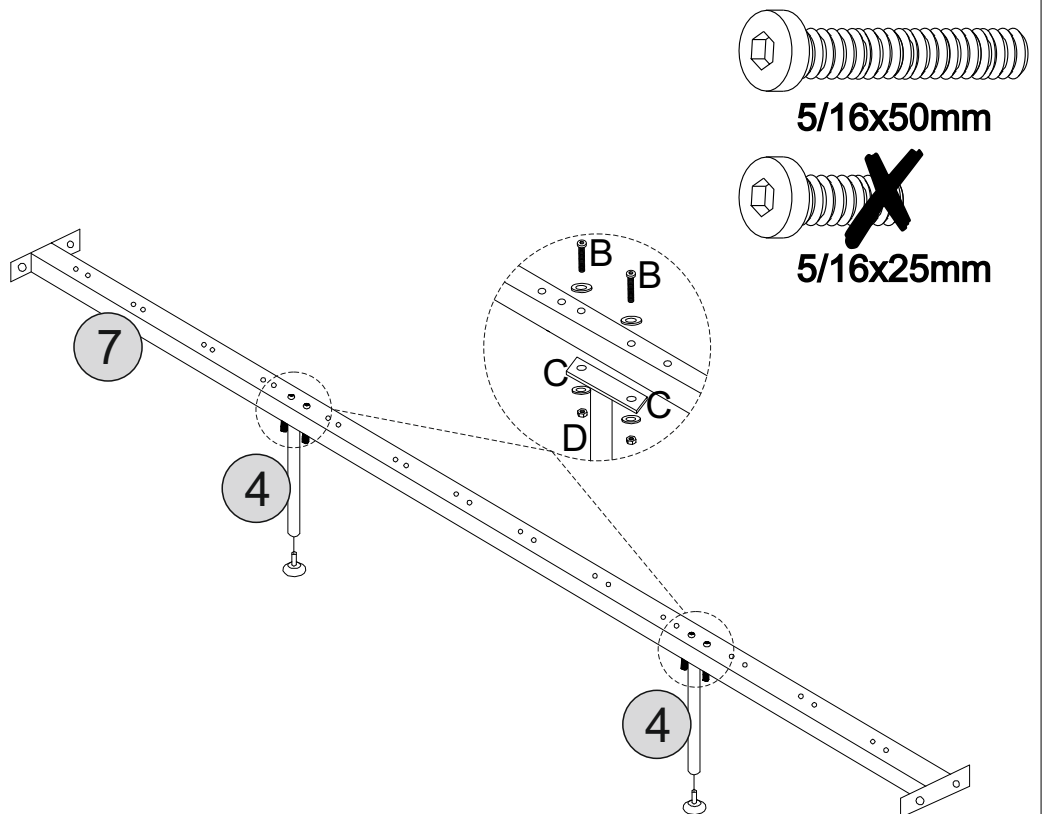
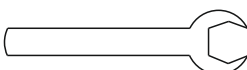
HARDWARE REQUIRED

B  04
5/16x50mm

C  08

D  04

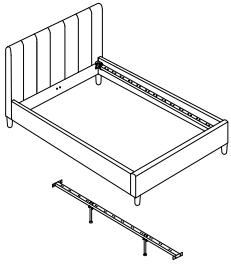
TOOLS REQUIRED




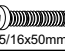


STEP 5

PARTS REQUIRED

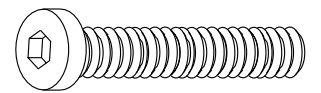
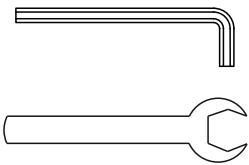
1 - CENTRE CROSS RAIL x1



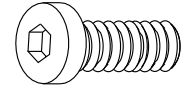
HARDWARE REQUIRED

A		04
B		03
C		06
D		03

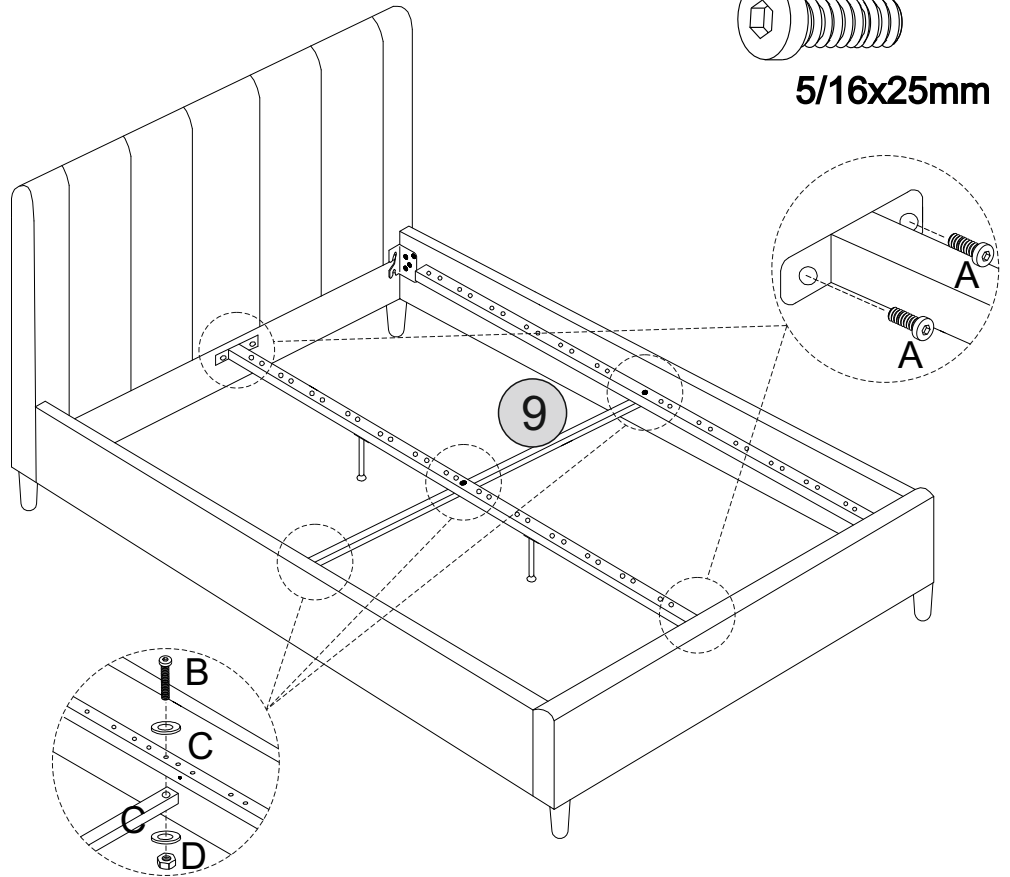
TOOLS REQUIRED



5/16x50mm



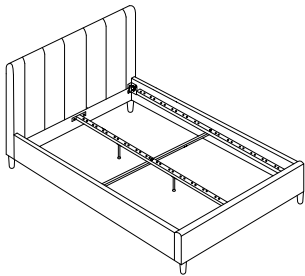
5/16x25mm





STEP 6

PARTS REQUIRED

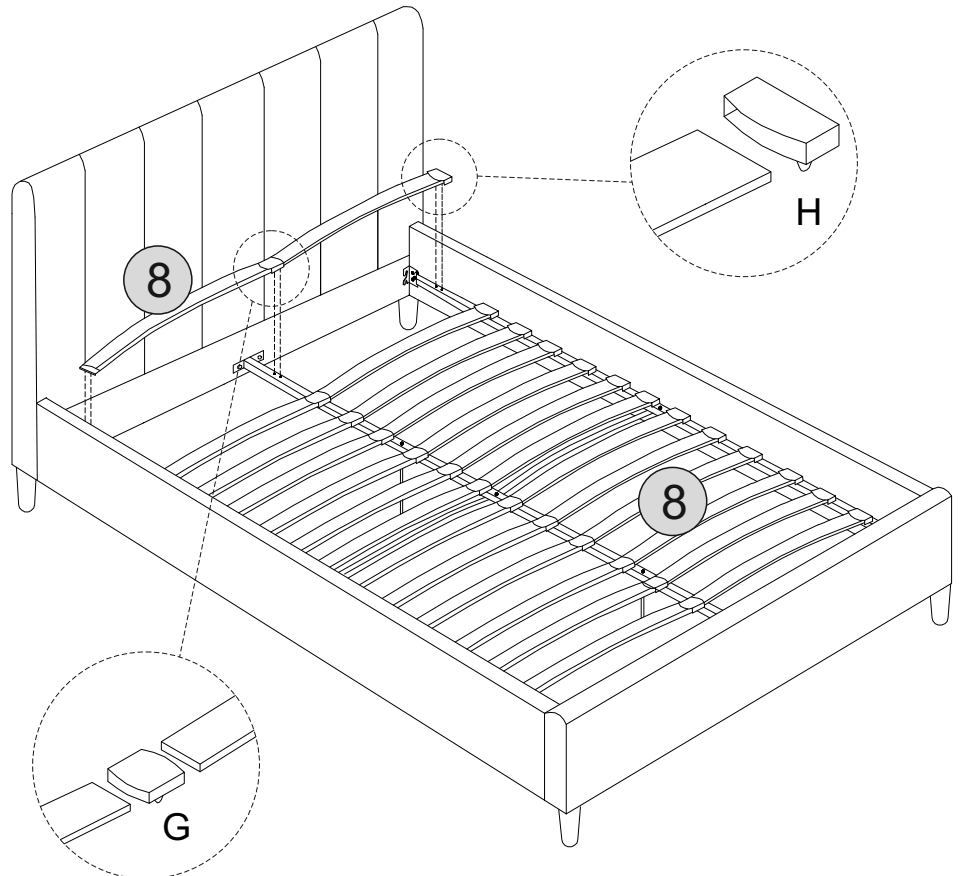
8 - WOODEN SLAT x28



HARDWARE REQUIRED

G		14
H		28

TOOLS REQUIRED

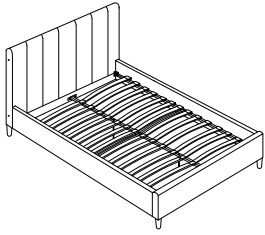


STEP 7


PARTS REQUIRED

2a - LEFT WING x1

2b - RIGHT WING x1

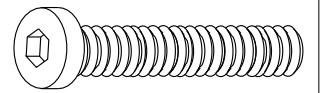
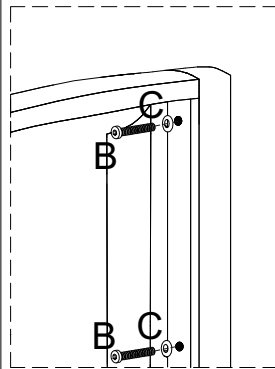


HARDWARE REQUIRED

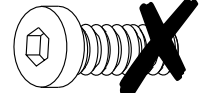
B  04
5/16x50mm

C  04

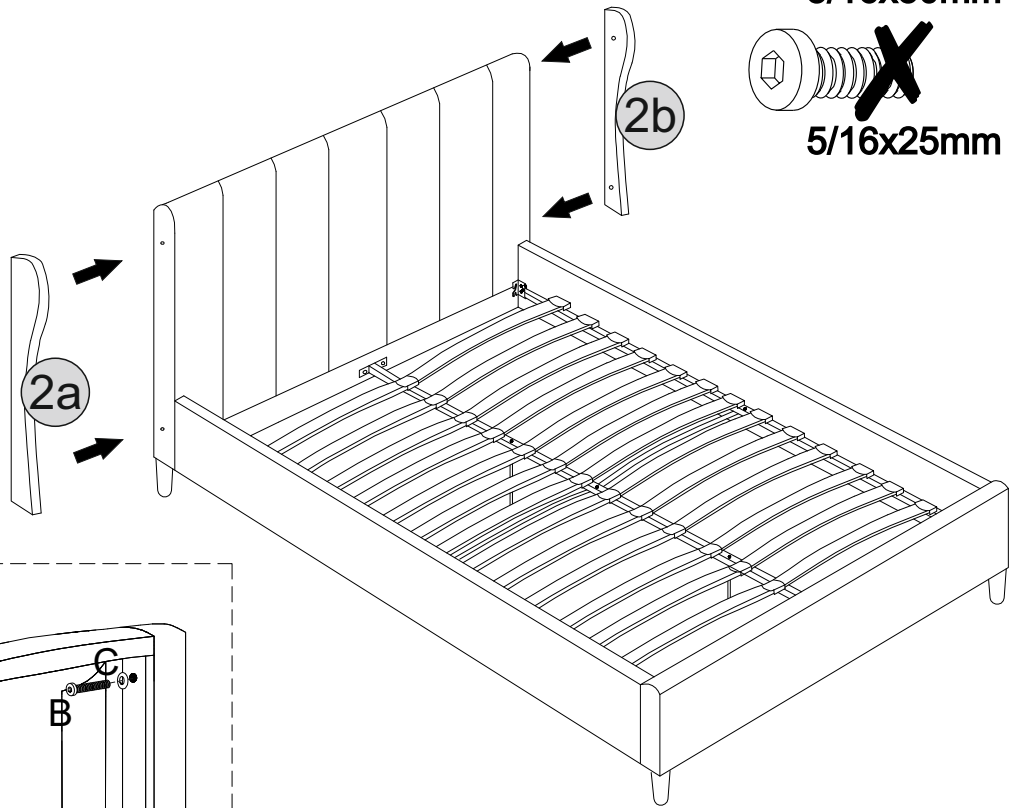
TOOLS REQUIRED



5/16x50mm



~~5/16x25mm~~

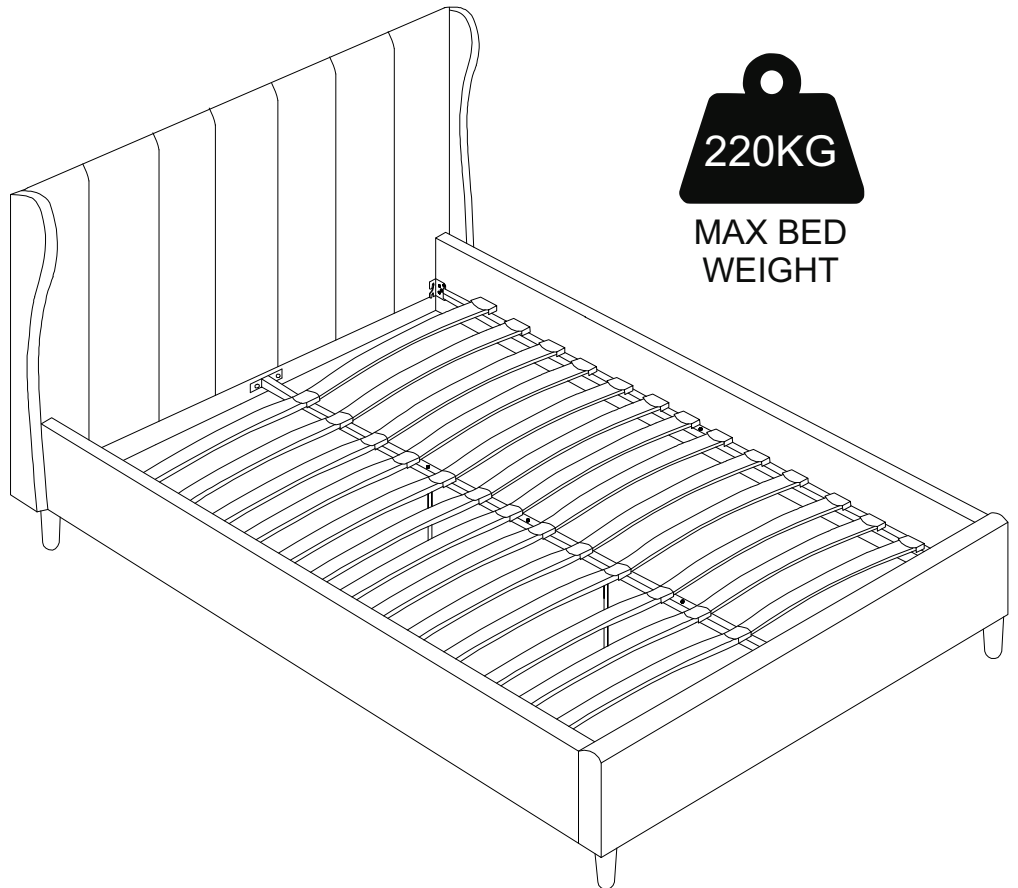


STEP 8

PARTS REQUIRED

HARDWARE REQUIRED

TOOLS REQUIRED



220KG
MAX BED
WEIGHT