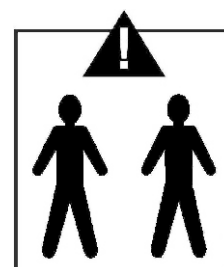
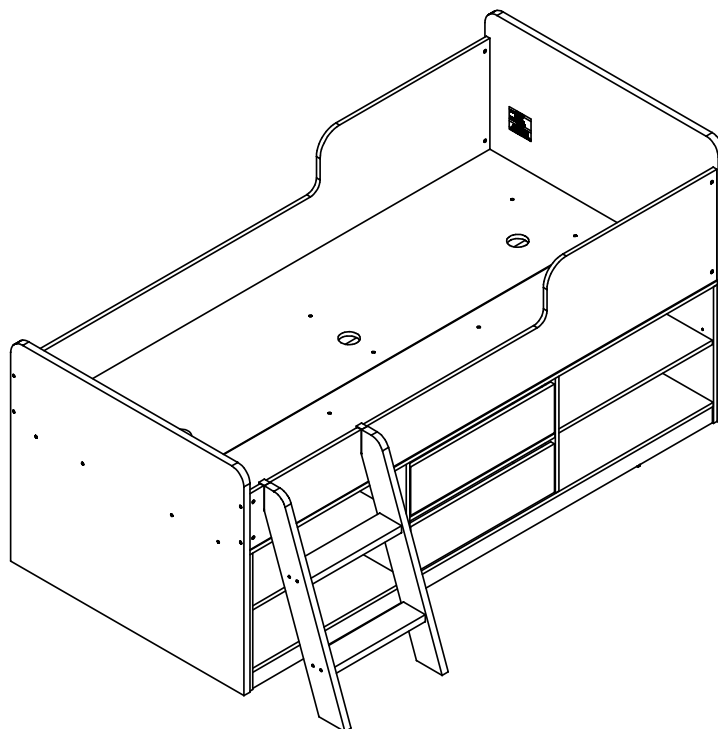


WHITE FELIX LOW SLEEPER BED ASSEMBLY INSTRUCTIONS



**MAX BED
WEIGHT**



FOR DOMESTIC USE ONLY

IMPORTANT

PLEASE READ BEFORE YOU CONTINUE FURTHER

THE PRODUCT YOU HAVE PURCHASED WILL GIVE YOU MANY YEARS OF SERVICE IF YOU FOLLOW THE GUIDELINES FOR ITS SAFE ASSEMBLY AND PERIODIC MAINTENANCE AND CLEANING.

ASSEMBLE ON A SOFT CLEAN SURFACE.

DO NOT USE ANY TOOLS OTHER THAN THOSE SHOWN.

ANY SPANNERS OR ALLEN KEYS REQUIRED ARE INCLUDED WITH THE FITTING KIT.

DO NOT FOR ANY REASON USE A POWER TOOL TO ASSEMBLE THIS PRODUCT. ITS USE WILL INVALIDATE ANY CLAIM YOU MAY HAVE AND COULD MAKE THIS PRODUCT UNSAFE.

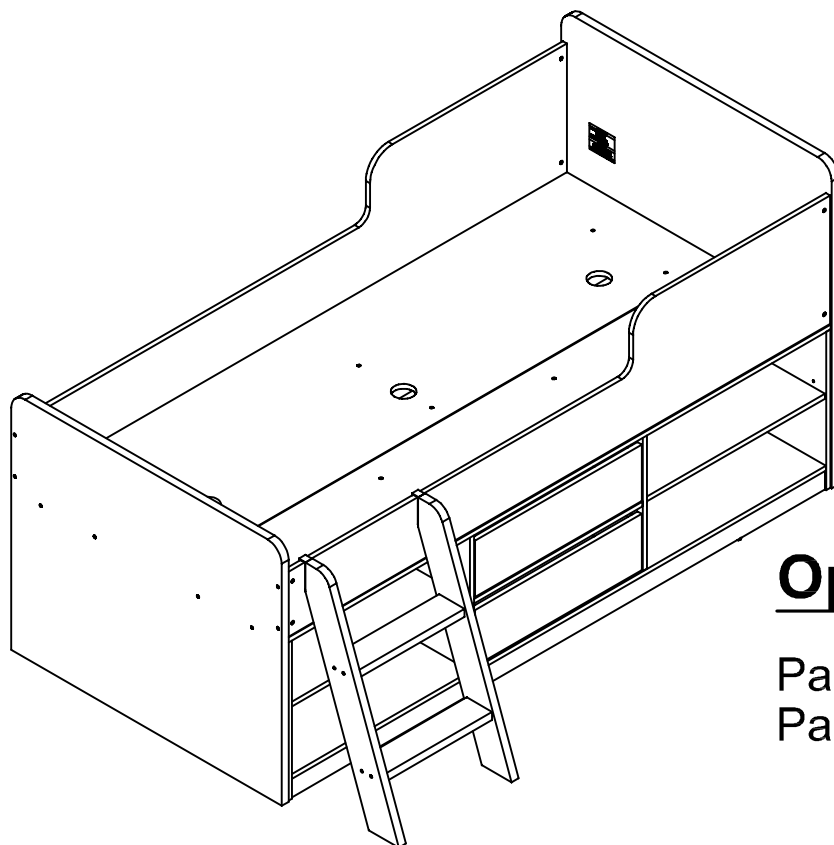
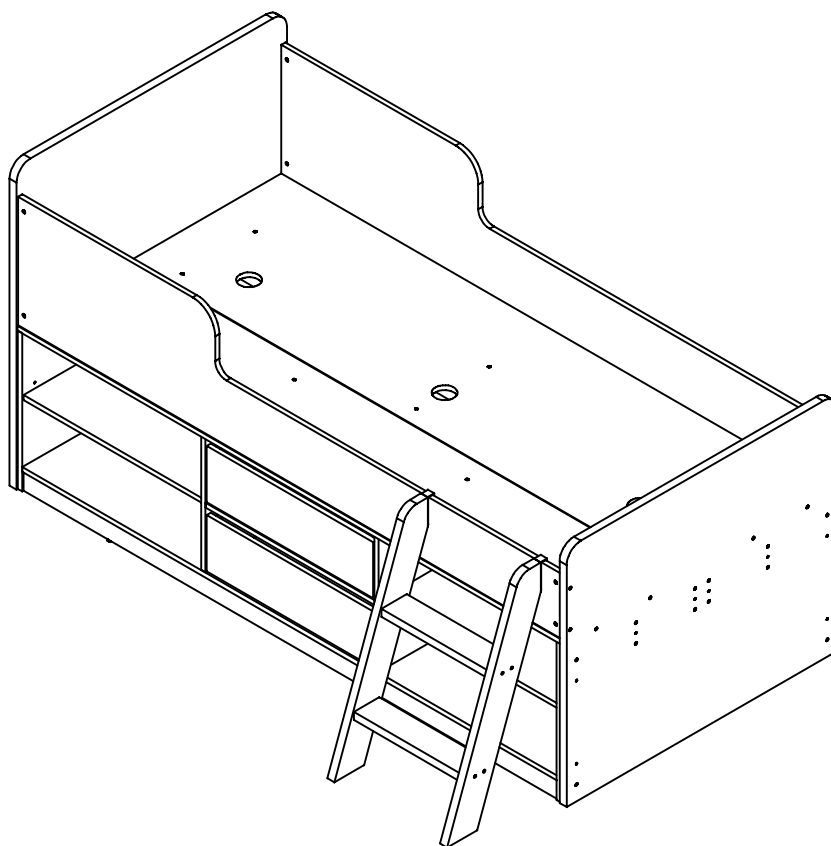
DEPENDING ON THE AMOUNT OF USE THIS PRODUCT RECEIVES. IT MAY BE NECESSARY TO TIGHTEN UP THE FIXINGS FROM TIME TO TIME. THIS IS COMPLETELY NORMAL FOR ANY FLAT PACK FURNITURE. DO NOT OVERTIGHTEN FIXINGS.

FOR CLEANING, YOU MAY USE A DAMP CLOTH (NOT WET). DO NOT USE POLISH, DETERGENT OR CHEMICAL CLEANERS.

THIS SURFACE OF THIS ITEM IS NOT HEAT RESISTANT. ALWAYS USE A PLACE MAT UNDER HOT OR COLD ITEMS TO PREVENT MARKING.

Option A

Page 1 - 22



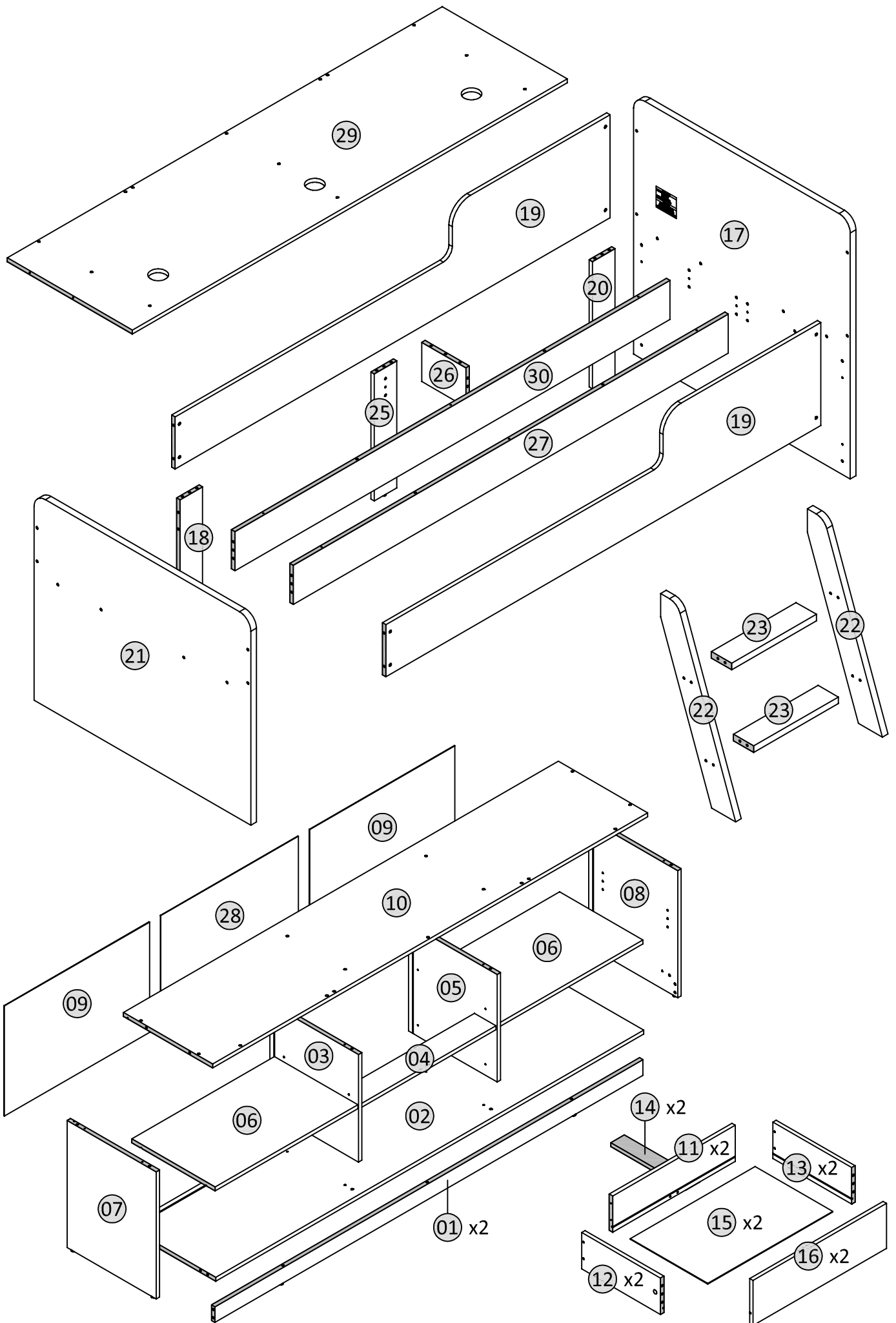
Option B

Page 1 - 16















Page 23 - 28

PART LIST

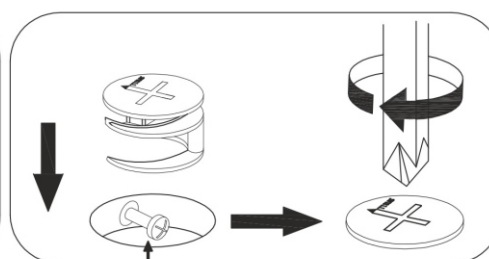
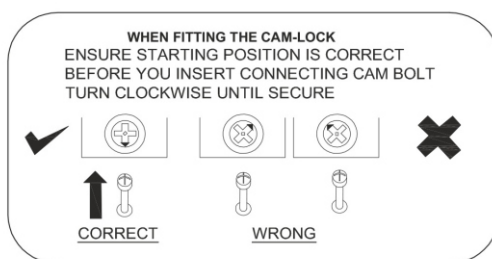
<u>Part Number</u>	<u>Part Code</u>	<u>Part Description</u>	<u>Quantity</u>	<u>Carton</u>
01	S200-206-008-ZF1-01	Bottom Plinth (Cabinet)	2	2/3
02	S200-206-008-ZF1-02	Bottom Panel (Cabinet)	1	2/3
03	S200-206-008-ZF1-03	Left Support Panel (Cabinet)	1	2/3
04	S200-206-008-ZF1-04	Support Panel (Cabinet)	1	2/3
05	S200-206-008-ZF1-05	Right Support Panel (Cabinet)	1	2/3
06	S200-206-008-ZF1-06	Adjustable Shelf	2	2/3
07	S200-206-008-ZF1-07	Left Panel (Cabinet)	1	2/3
08	S200-206-008-ZF1-08	Right Panel (Cabinet)	1	2/3
09	S200-206-008-ZF1-09	Back Panel Left/Right	2	1/3
10	S200-206-008-ZF1-10	Top Panel (Cabinet)	1	1/3
11	S200-206-008-ZF1-11	Back Panel (Drawer)	2	3/3
12	S200-206-008-ZF1-12	Left Panel (Drawer)	2	3/3
13	S200-206-008-ZF1-13	Right Panel (Drawer)	2	3/3
14	S200-206-008-ZF1-14	Support Panel (Drawer)	2	3/3
15	S200-206-008-ZF1-15	Bottom Panel (Drawer)	2	3/3
16	S200-206-008-ZF1-16	Drawer Front	2	3/3
17	S200-206-008-ZF1-17	Headboard	1	3/3
18	S200-206-008-ZF1-18	Support Panel (Left)	1	2/3
19	S200-206-008-ZF1-19	Side Panel	2	1/3
20	S200-206-008-ZF1-20	Support Panel (Right)	1	2/3
21	S200-206-008-ZF1-21	Footboard	1	3/3
22	S200-206-008-ZF1-22	Ladder Side Panel	2	3/3
23	S200-206-008-ZF1-23	Ladder Step	2	3/3
25	S200-206-008-ZF1-25	Support Panel Centre	1	2/3
26	S200-206-008-ZF1-26	Support Panel	1	3/3
27	S200-206-008-ZF1-27	Centre Support Panel	1	2/3
28	S200-206-008-ZF1-28	Back Panel Centre	1	1/3
29	S200-206-008-ZF1-29	Base Panel	1	1/3
30	S200-206-008-ZF1-30	Back Support Panel	1	2/3



HARDWARE LIST

No.	Part Name		Qty	Carton
A	Cam Nut		26	2/3
B	Cam Bolt		26	2/3
C	M8 x 25mm Dowel		74	2/3
D	M6 x 50mm Unitar Screw		8	2/3
E	M6 x 40mm Unitar Screw		28	2/3
F	38mm Wood Screw		12	2/3
G	14mm Wood Screw		24	2/3
H	14" Drawer Slide		2 SET	2/3
J	Metal Shelf Support		8	2/3
K	M6 x 13mm Nut		8	2/3
L	M6 Round Nut		8	2/3
M	M6 x 55mm JCBC Unitar		16	2/3
N	M6 Allen Key		1	2/3
P	Ladder Hook		2	2/3

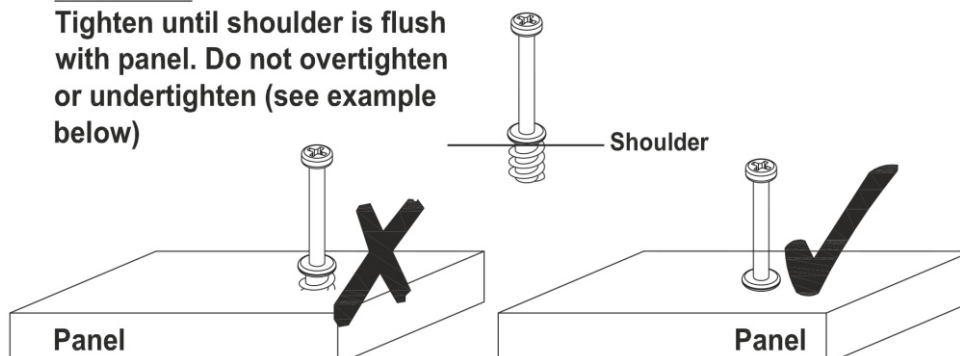
TIPS FOR FITTING CAM-LOCKS



Cam bolt head needs to be in centre

CAMBOLT

Tighten until shoulder is flush with panel. Do not overtighten or undertighten (see example below)

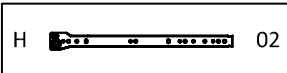


STEP 1

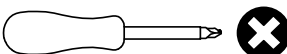
PARTS REQUIRED

03-LEFT SUPPORT PANEL (CABINET) x1

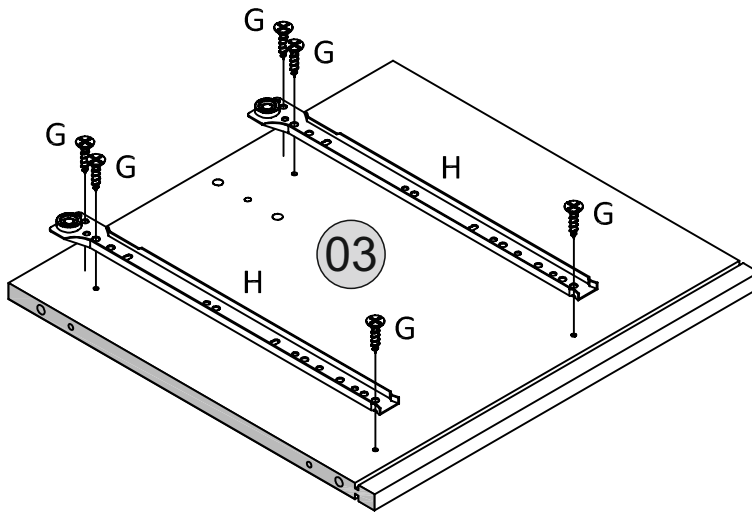
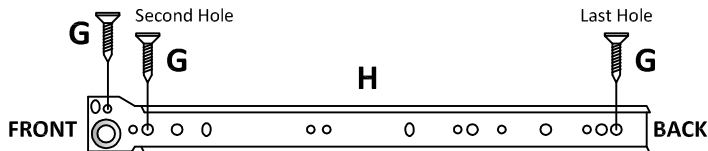
HARDWARE REQUIRED



TOOLS REQUIRED



To Assembly the Drawer Slide, Please Follow Step as Below

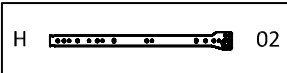


STEP 2

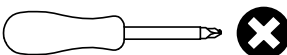
PARTS REQUIRED

05-RIGHT SUPPORT PANEL (CABINET) x1

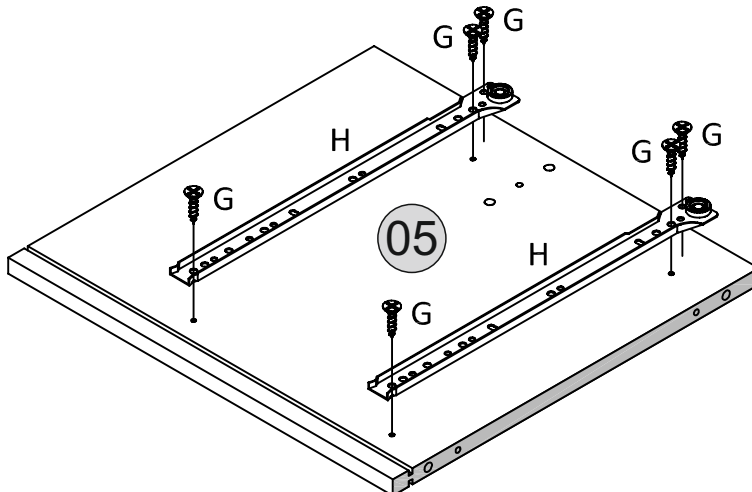
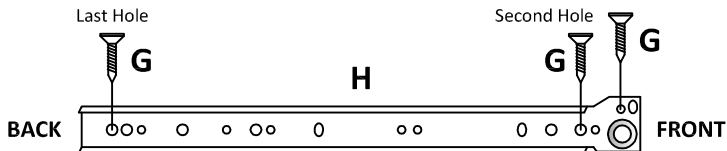
HARDWARE REQUIRED



TOOLS REQUIRED



To Assembly the Drawer Slide, Please Follow Step as Below



STEP 3

PARTS REQUIRED


03- LEFT SUPPORT PANEL (CABINET) x1


05- RIGHT SUPPORT PANEL (CABINET) x1

07- LEFT PANEL (CABINET) x1

08- RIGHT PANEL (CABINET) x1

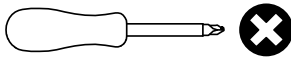
HARDWARE REQUIRED

B  06

C  12

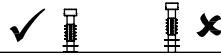
J  04

TOOLS REQUIRED

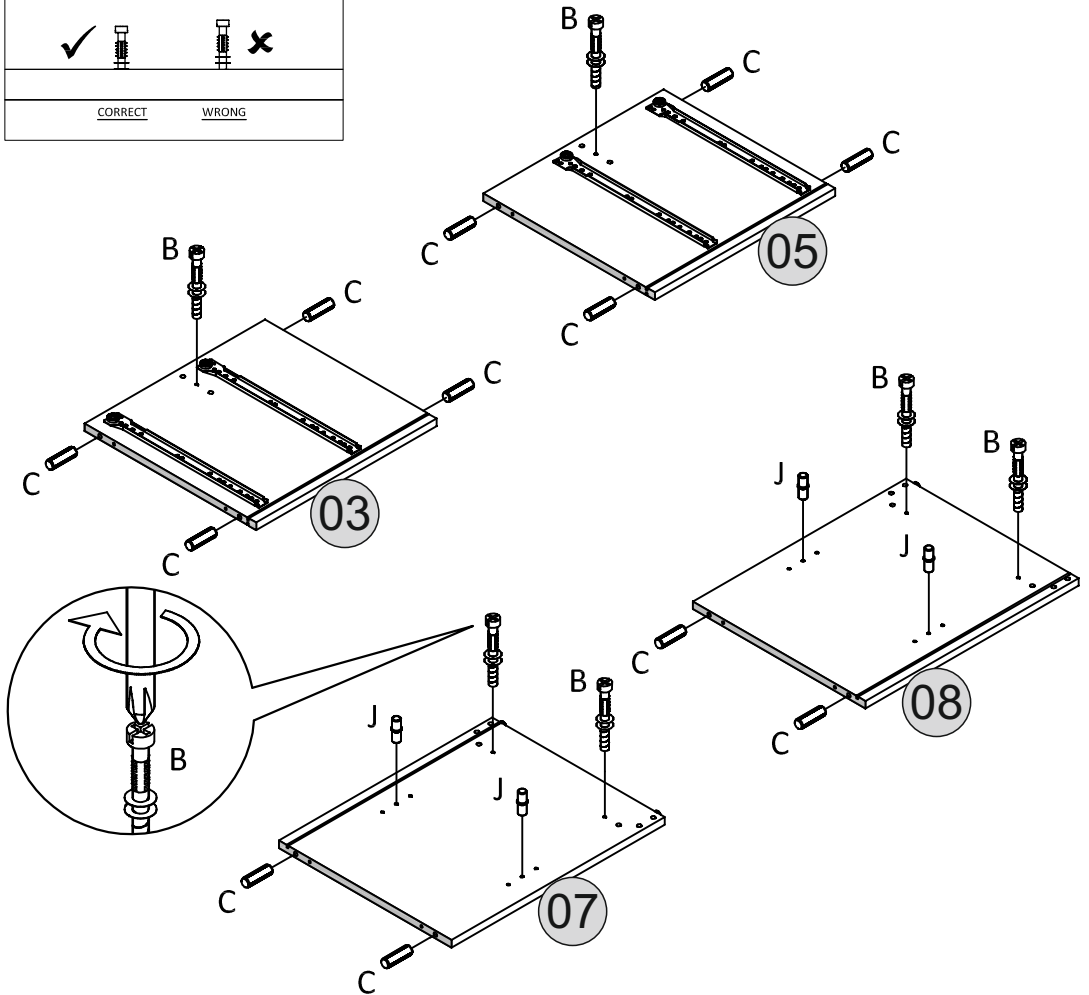


WHEN FITTING CAM STUD

ENSURE THE CAM STUD IS FULLY TIGHTEN IN



CORRECT WRONG



STEP 4

PARTS REQUIRED


01- BOTTOM PLINTH (CABINET) x2

02- BOTTOM PANEL (CABINET) x1

04- SUPPORT PANEL (CABINET) x1

HARDWARE REQUIRED

A  06

C  22

TOOLS REQUIRED

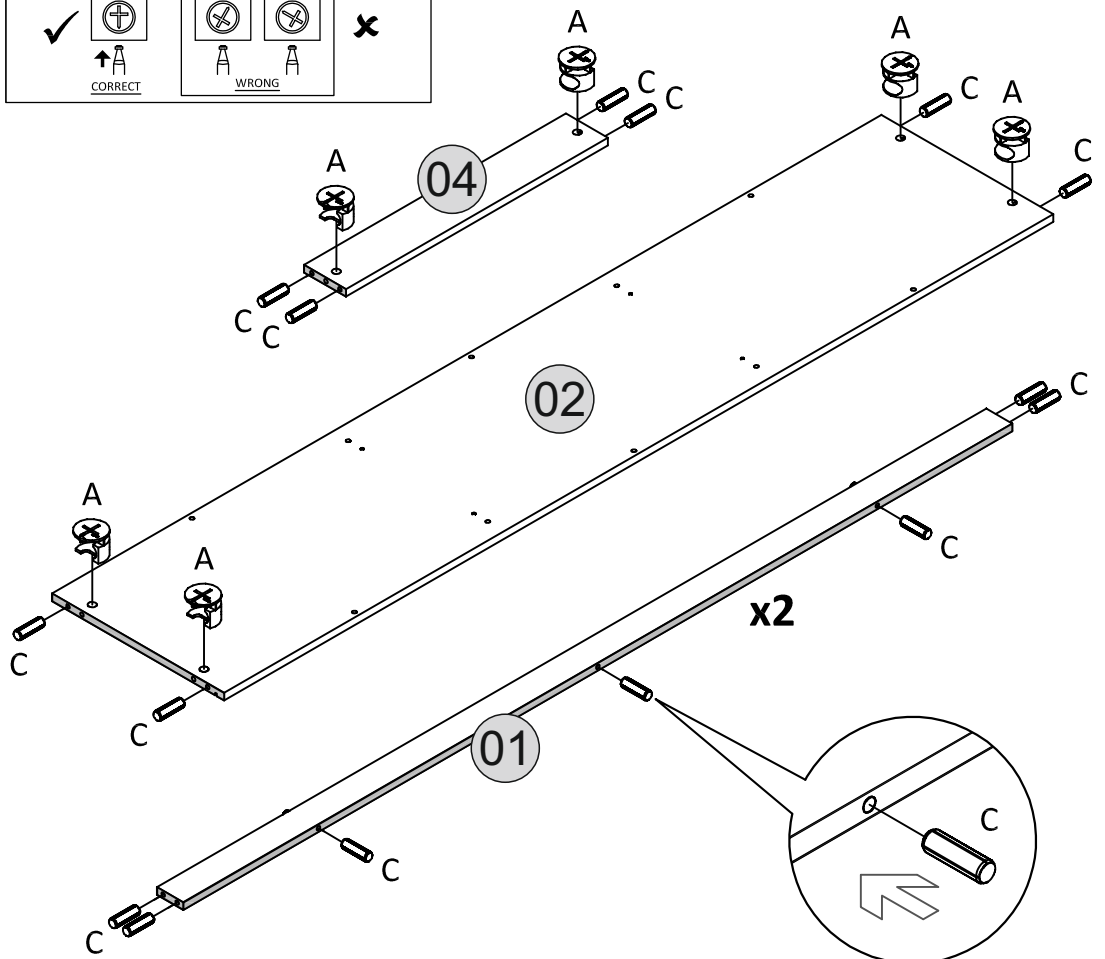
WHEN FITTING CAMS

ENSURE STARTING POSITION IS CORRECT BEFORE YOU INSERT CONNECTING BOLT TURN CLOCKWISE UNTIL SECURE



CORRECT

WRONG



STEP 5

PARTS REQUIRED

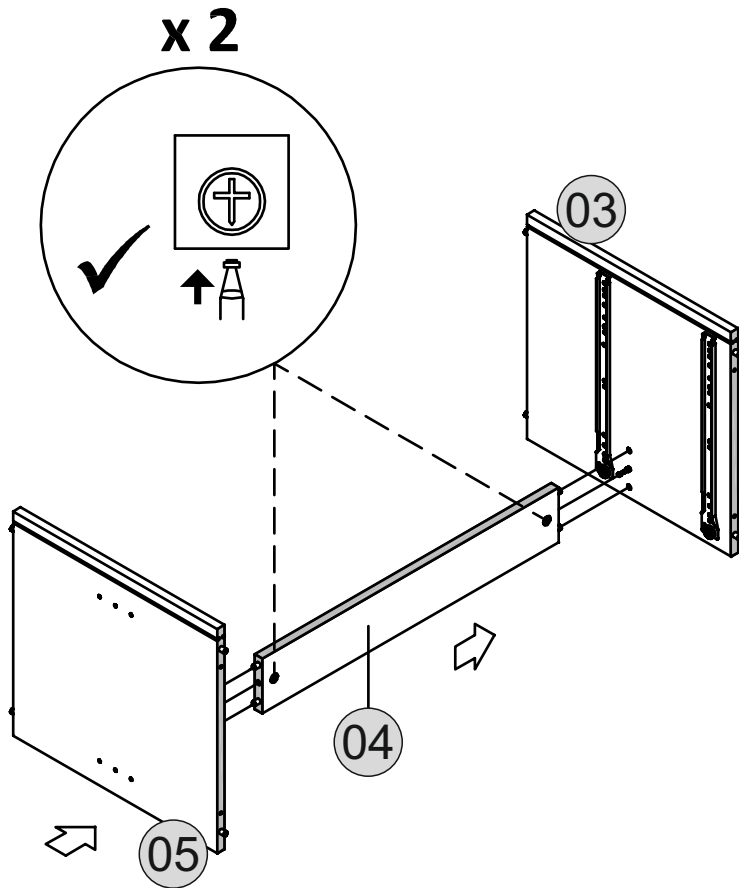
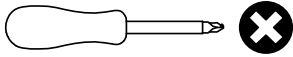
03- LEFT SUPPORT PANEL (CABINET) x1

04- SUPPORT PANEL (CABINET) x1

05- RIGHT SUPPORT PANEL (CABINET) x1

HARDWARE REQUIRED

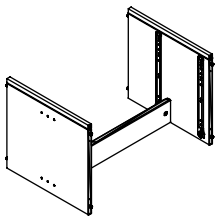
TOOLS REQUIRED



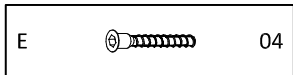
STEP 6

PARTS REQUIRED

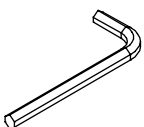
02- BOTTOM PANEL x1



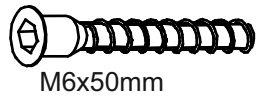
HARDWARE REQUIRED



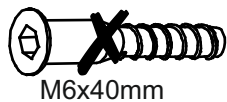
TOOLS REQUIRED



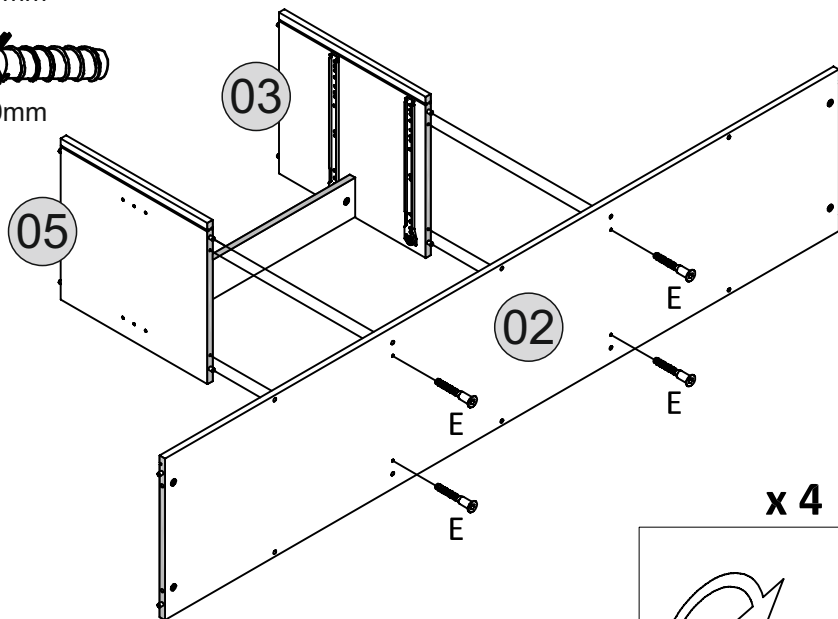
M6x55mm



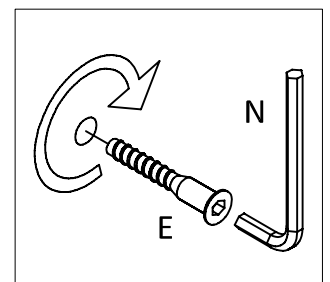
M6x50mm



M6x40mm



x 4

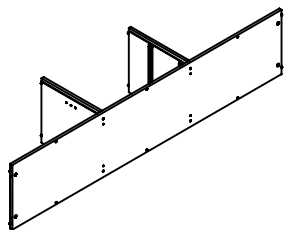


STEP 7

PARTS REQUIRED

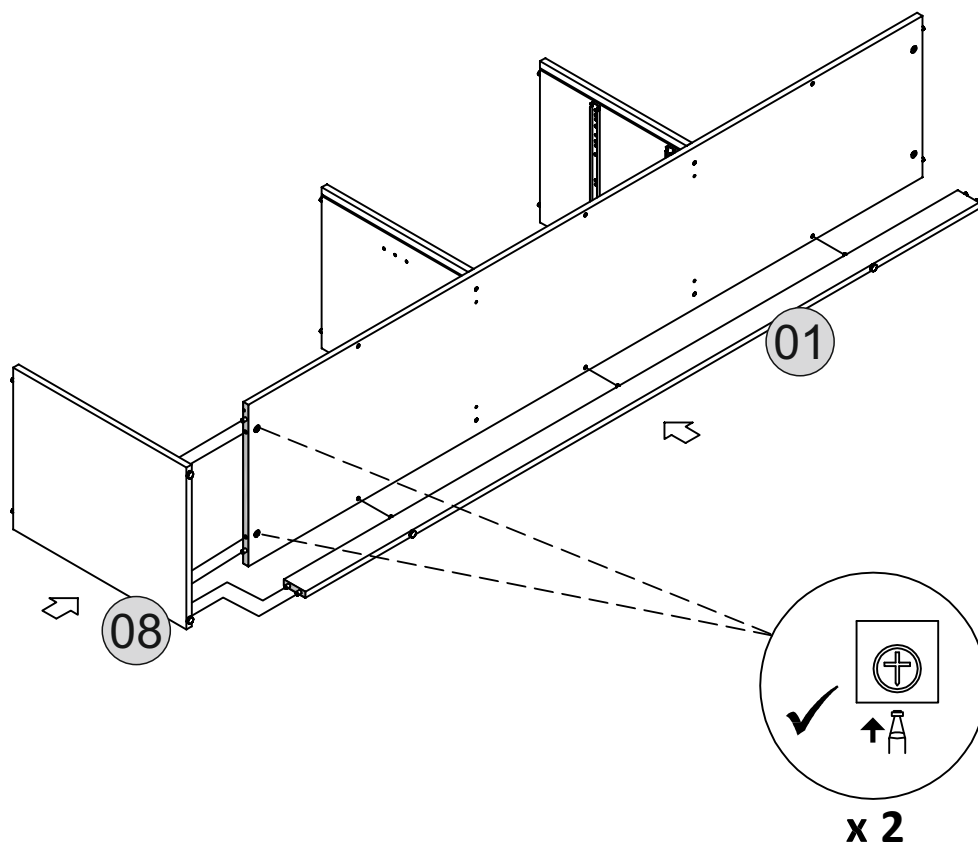
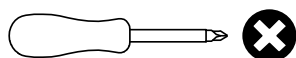
01- BOTTOM PLINTH (CABINET) x1

08- RIGHT PANEL CABINET (CABINET) x1



HARDWARE REQUIRED

TOOLS REQUIRED

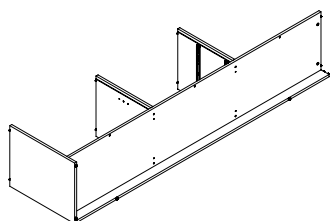


STEP 8

PARTS REQUIRED

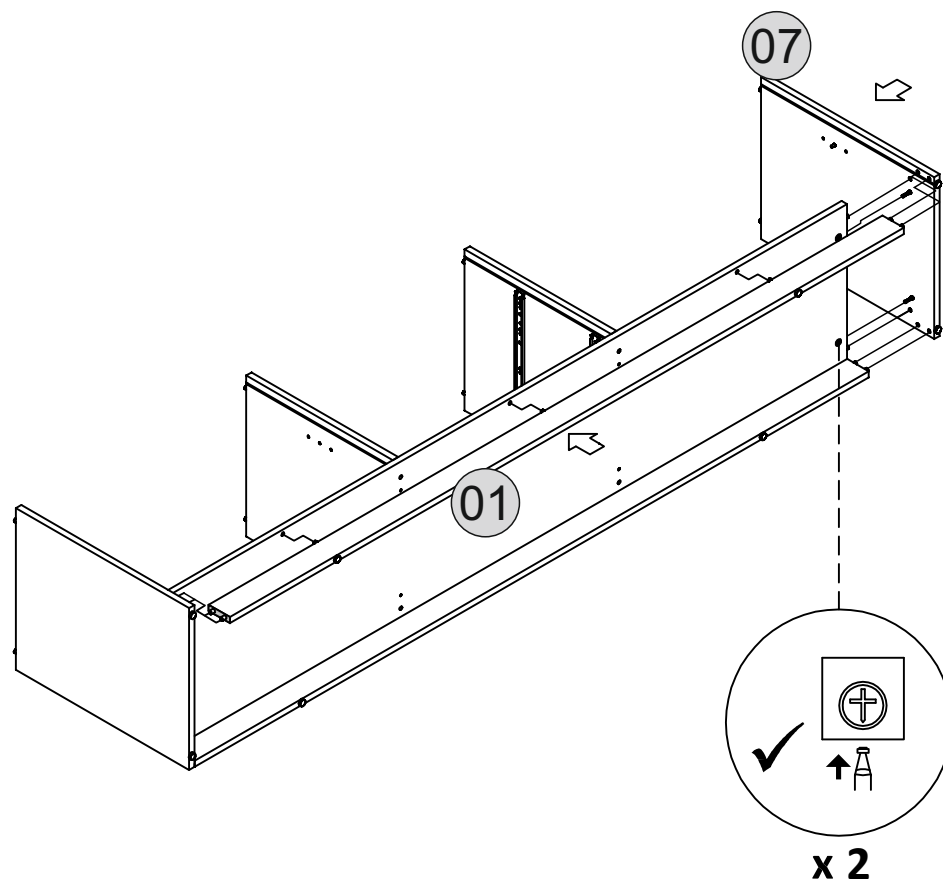
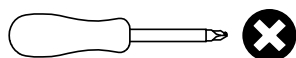
01- BOTTOM PLINTH (CABINET) x1

07- LEFT PANEL (CABINET) x1



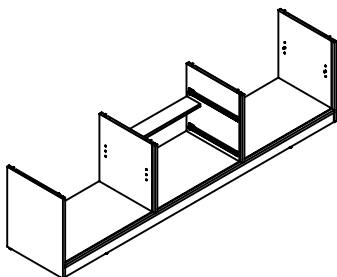
HARDWARE REQUIRED

TOOLS REQUIRED

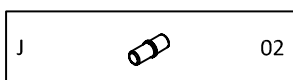


STEP 9

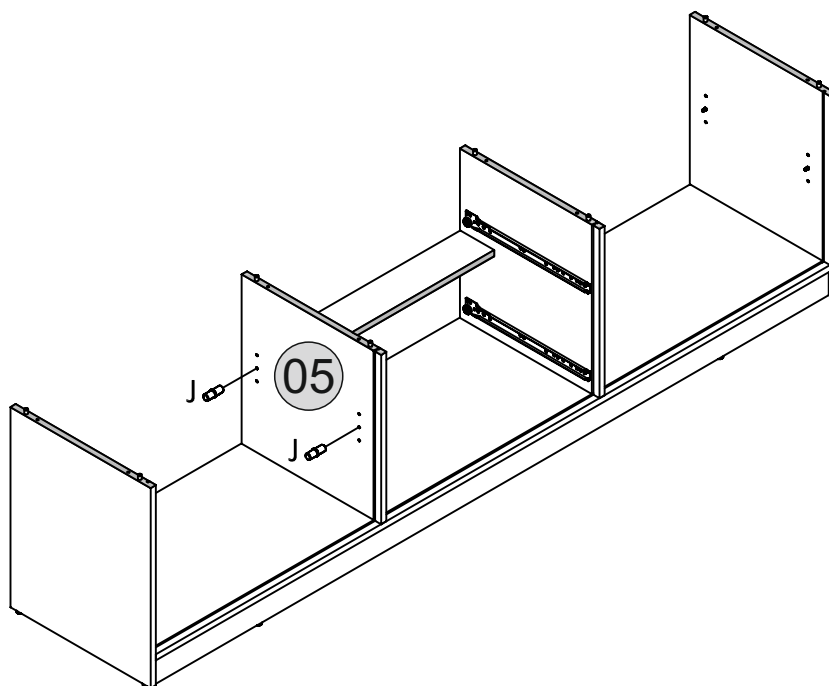
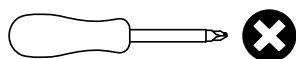
PARTS REQUIRED



HARDWARE REQUIRED

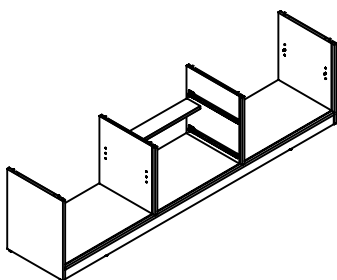


TOOLS REQUIRED



STEP 10

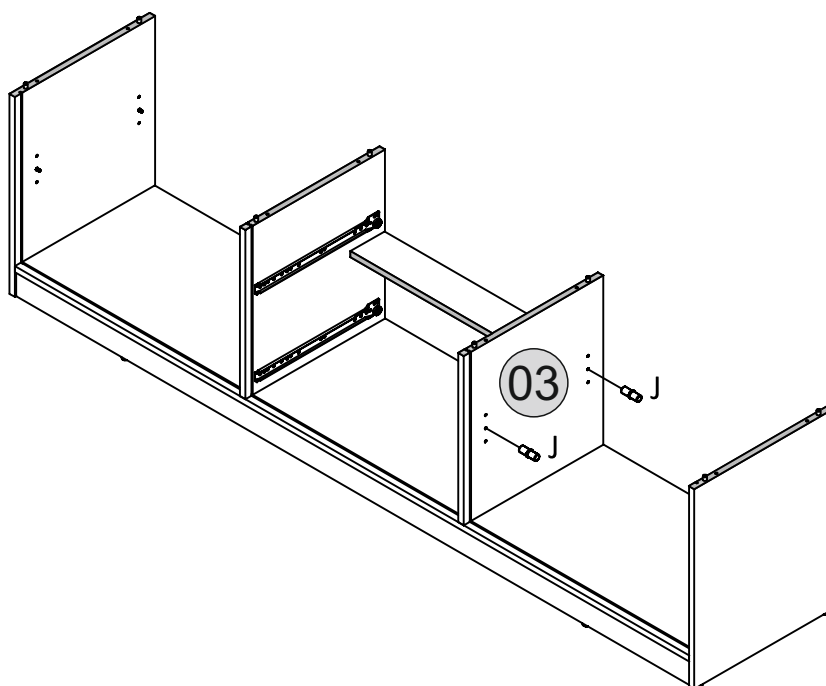
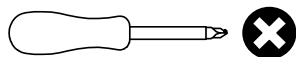
PARTS REQUIRED



HARDWARE REQUIRED



TOOLS REQUIRED

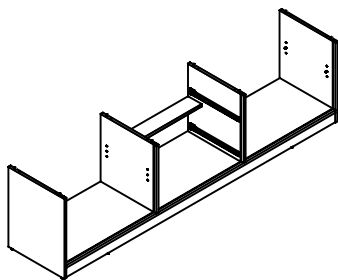


STEP 11

PARTS REQUIRED

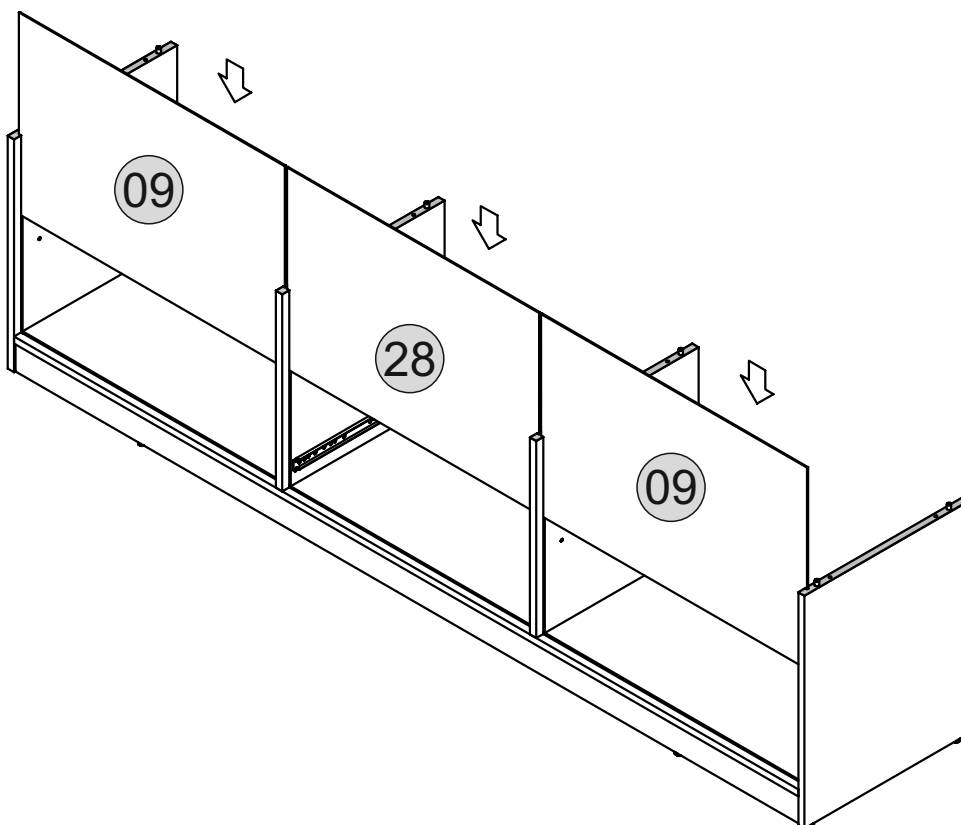
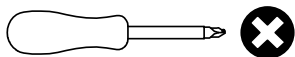
09- BACK PANEL LEFT/RIGHT x2

28- BACK PANEL CENTRE x1



HARDWARE REQUIRED

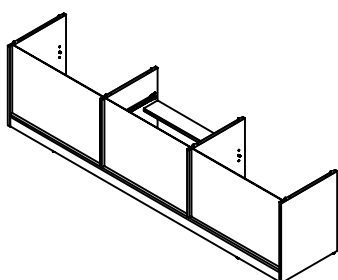
TOOLS REQUIRED



STEP 12

PARTS REQUIRED

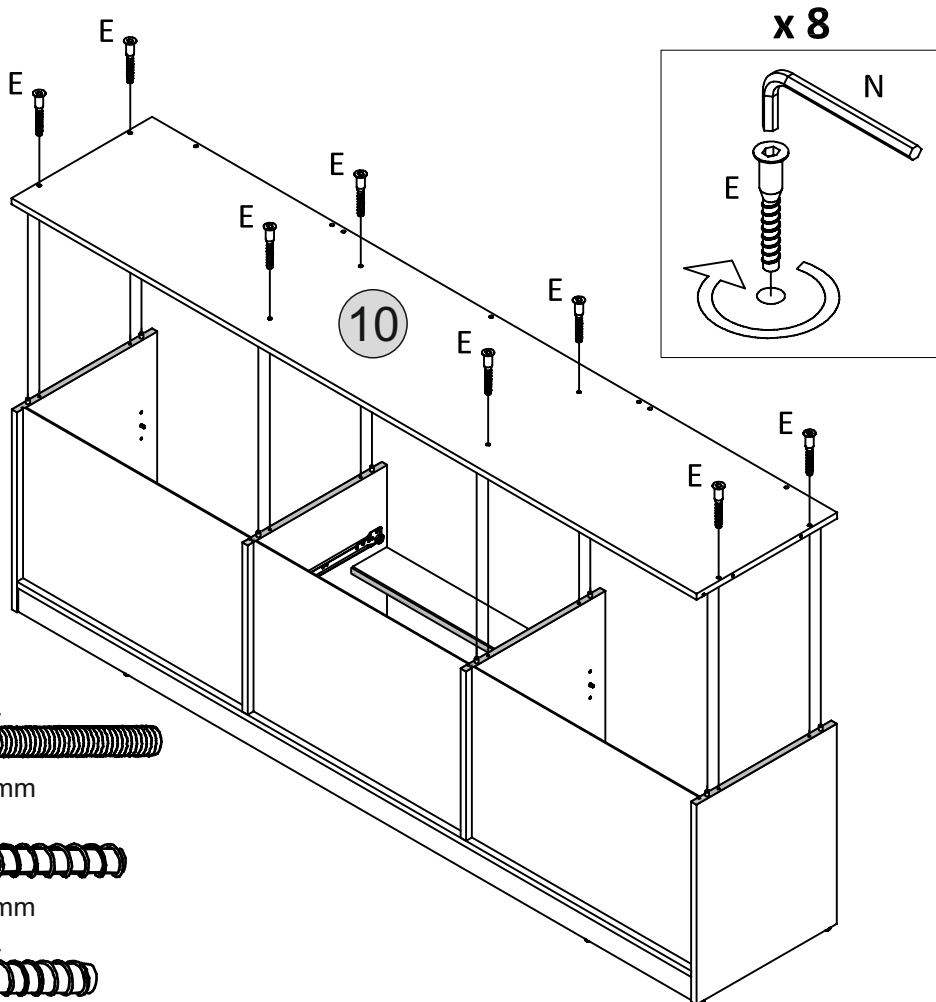
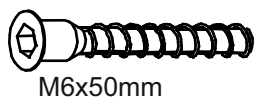
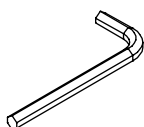
10- TOP PANEL (CABINET) x1



HARDWARE REQUIRED

E  08

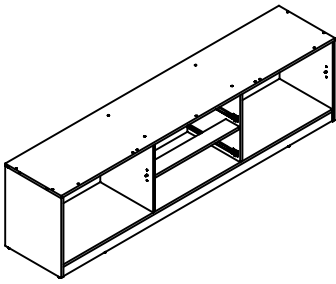
TOOLS REQUIRED



STEP 13

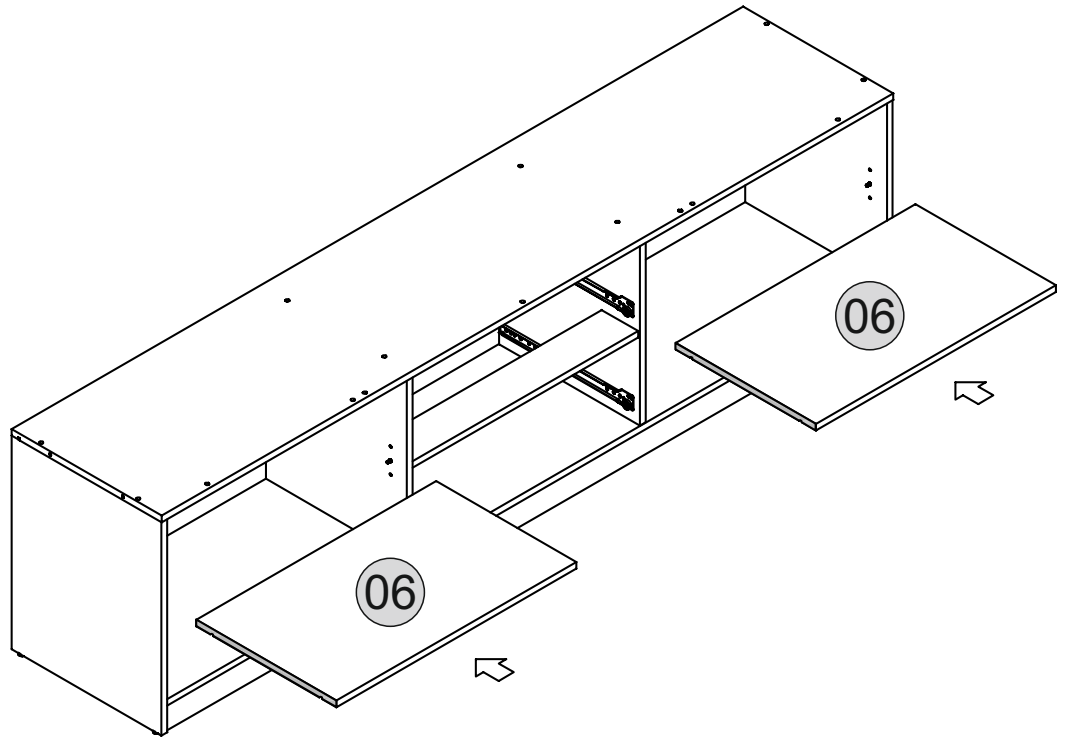
PARTS REQUIRED

06- ADJUSTABLE SHELF x2



HARDWARE REQUIRED

TOOLS REQUIRED



STEP 14

PARTS REQUIRED


12- LEFT PANEL (DRAWER) x2

13- RIGHT PANEL (DRAWER) x2


14- SUPPORT PANEL (DRAWER) x2

16- DRAWER FRONT x2

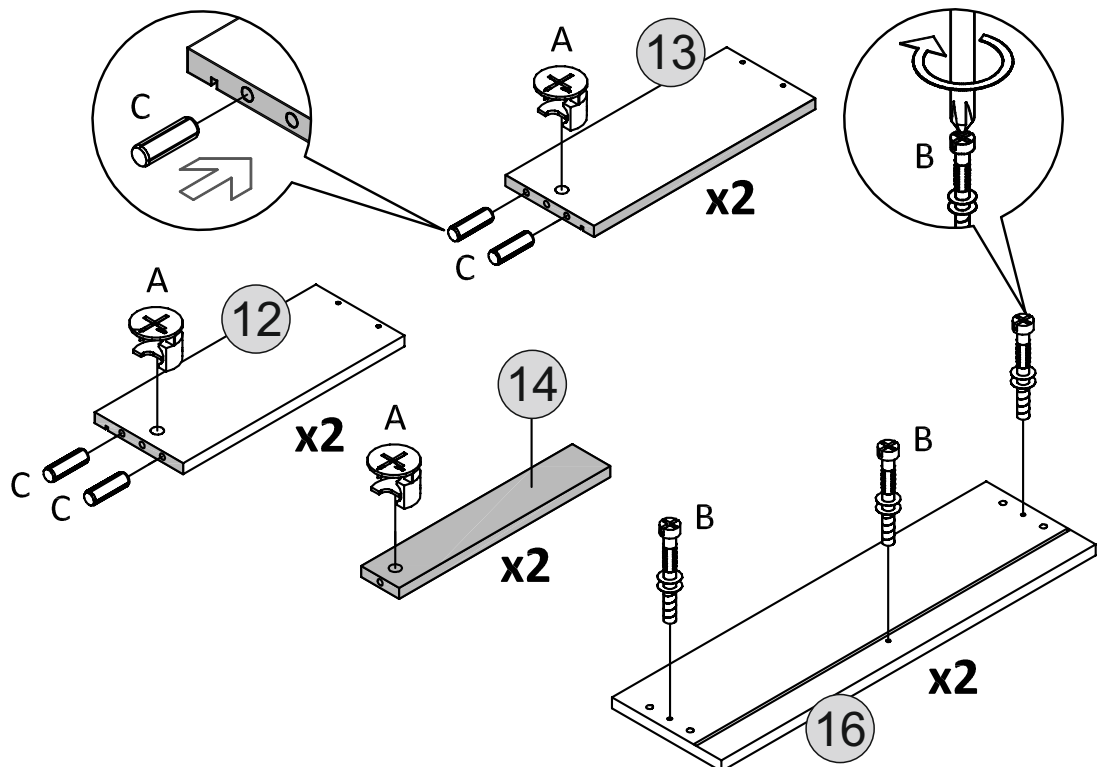
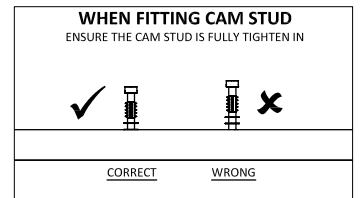
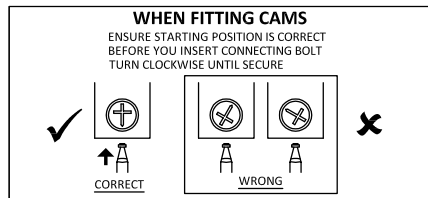
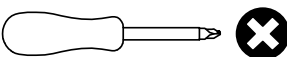
HARDWARE REQUIRED

A  06

B  06

C  08

TOOLS REQUIRED

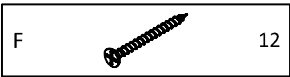


STEP 15

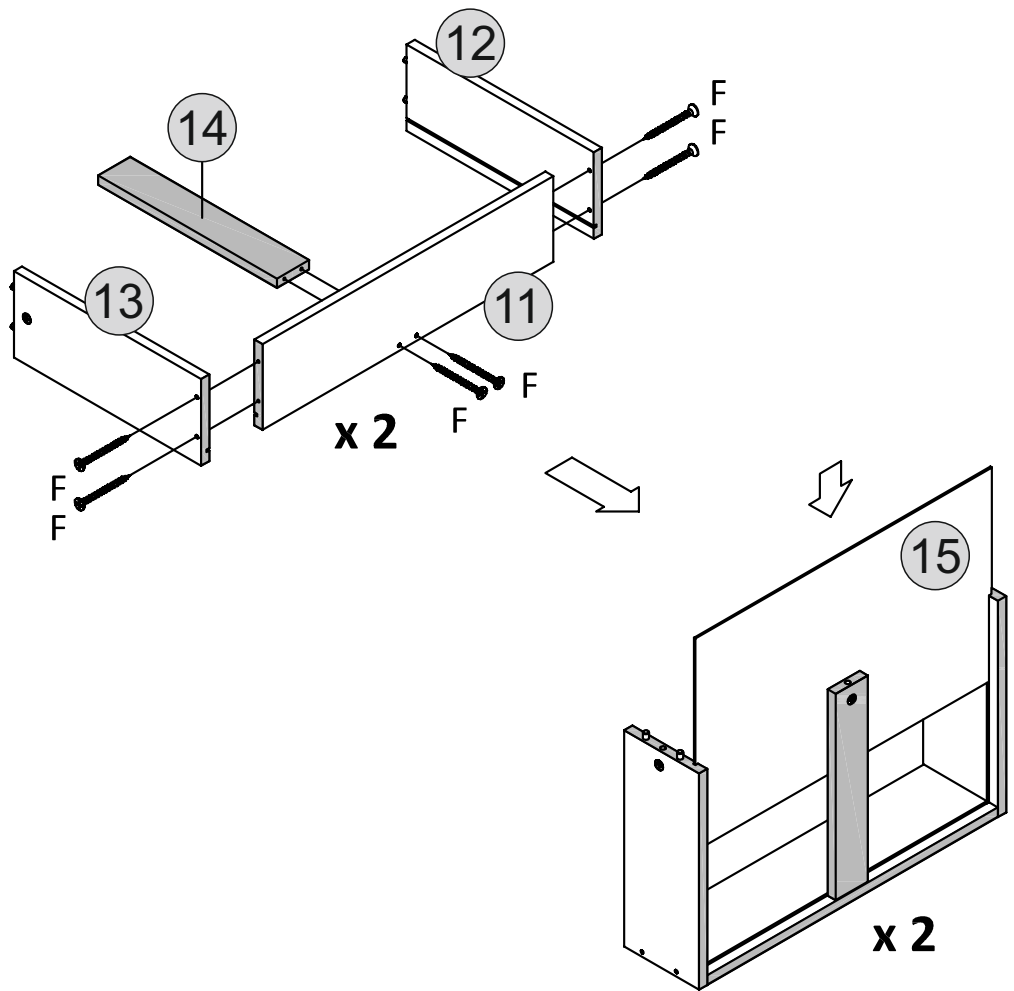
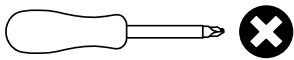
PARTS REQUIRED

- 11- BACK PANEL (DRAWER) x2
- 12- LEFT PANEL (DRAWER) x2
- 13- RIGHT PANEL (DRAWER) x2
- 14- SUPPORT PANEL (DRAWER) x2
- 15- BOTTOM PANEL (DRAWER) x2

HARDWARE REQUIRED



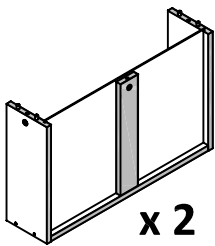
TOOLS REQUIRED



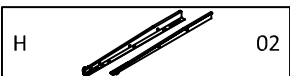
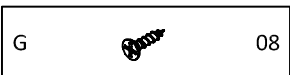
STEP 16

PARTS REQUIRED

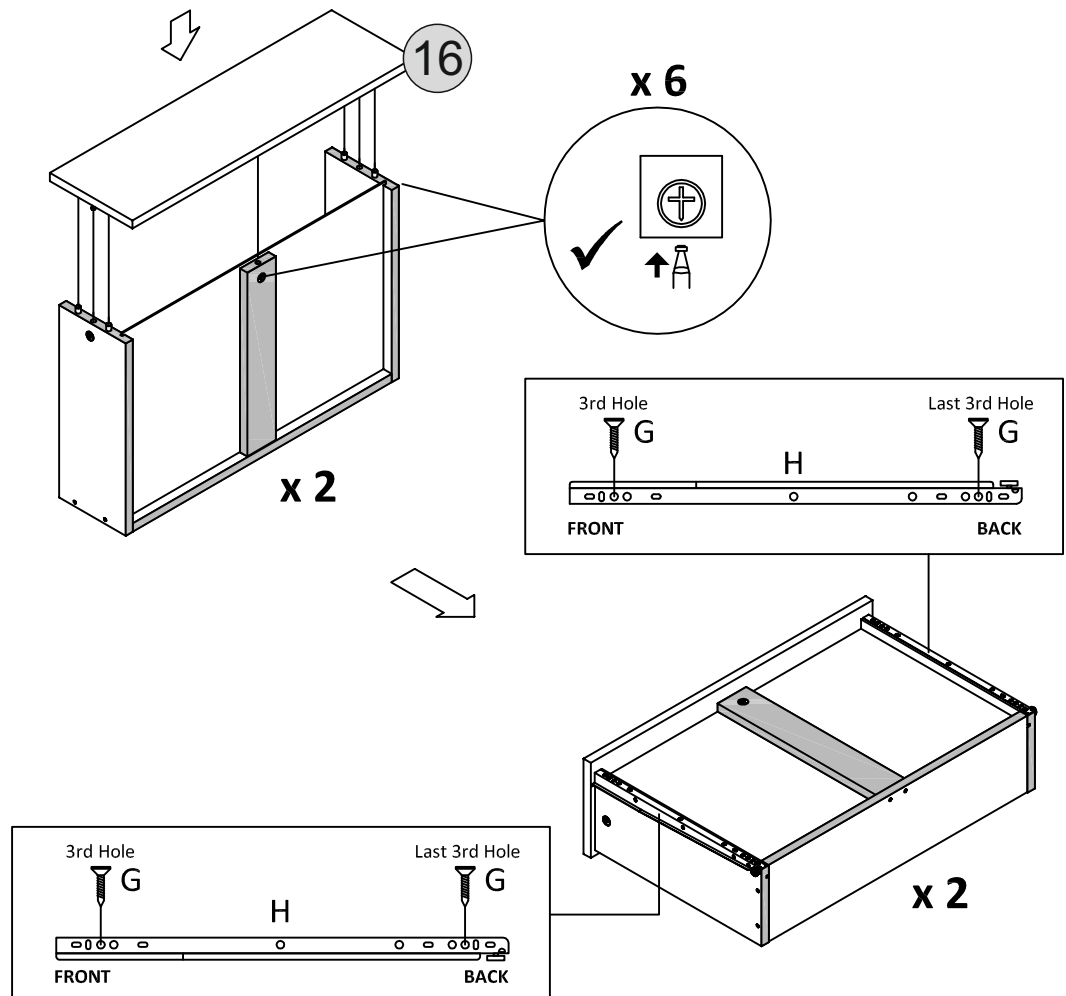
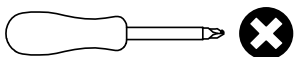
- 16- DRAWER FRONT x2



HARDWARE REQUIRED



TOOLS REQUIRED



STEP 17


PARTS REQUIRED

22- LADDER SIDE PANEL x2

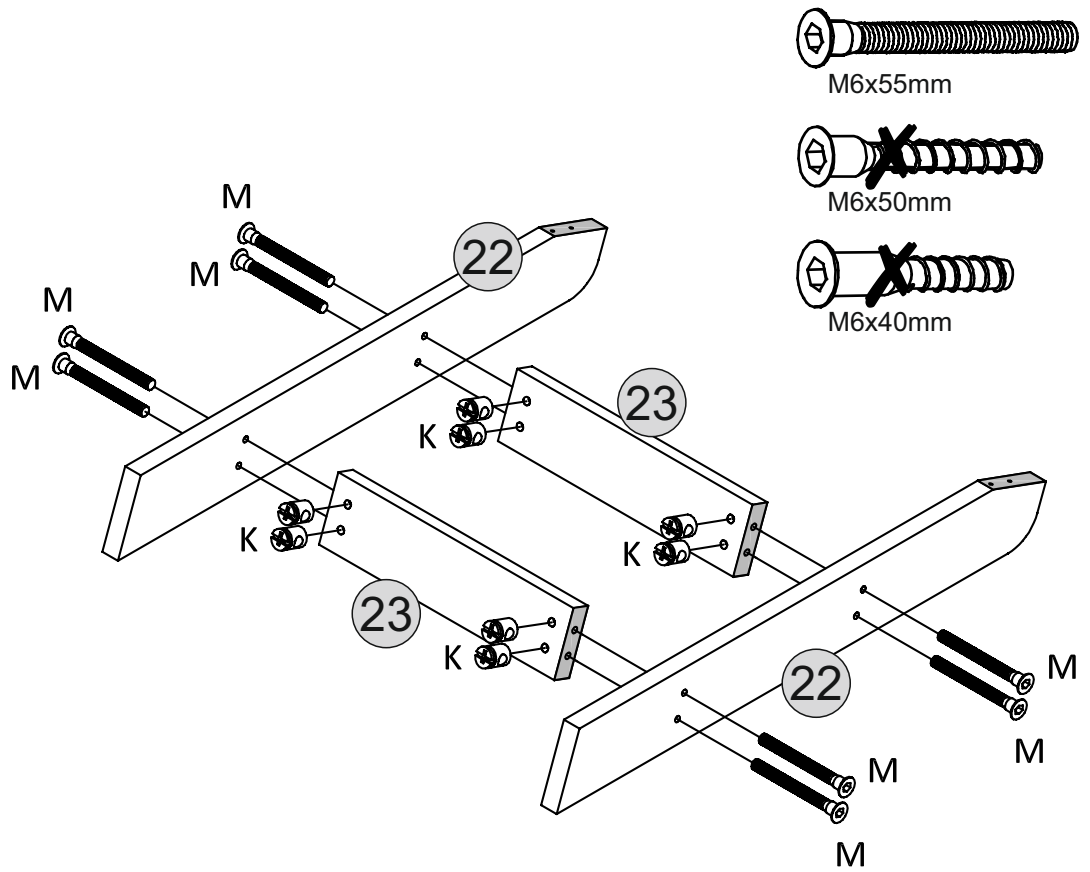
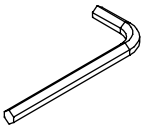
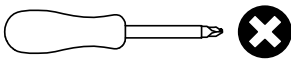
23- LADDER STEP x2

HARDWARE REQUIRED

K  08

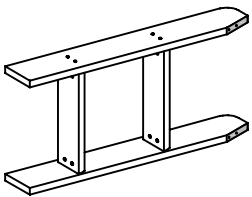
M  08

TOOLS REQUIRED




STEP 18

PARTS REQUIRED

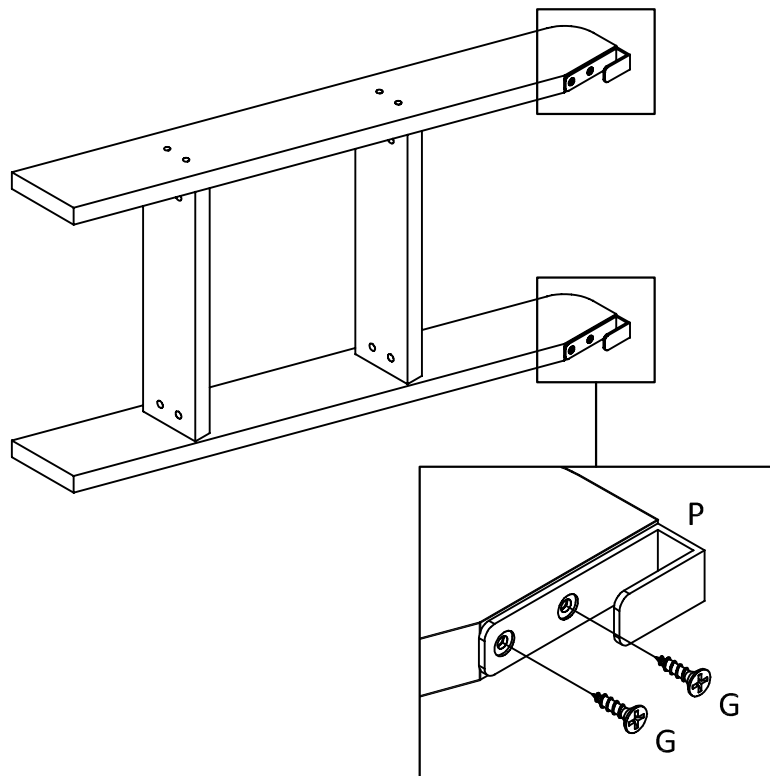
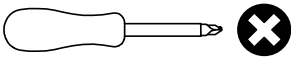


HARDWARE REQUIRED

G  04

P  02

TOOLS REQUIRED




STEP 19


PARTS REQUIRED

18- SUPPORT PANEL (LEFT)	x1
20- SUPPORT PANEL (RIGHT)	x1
25- SUPPORT PANEL (CENTRE)	x1
26- SUPPORT PANEL	x1

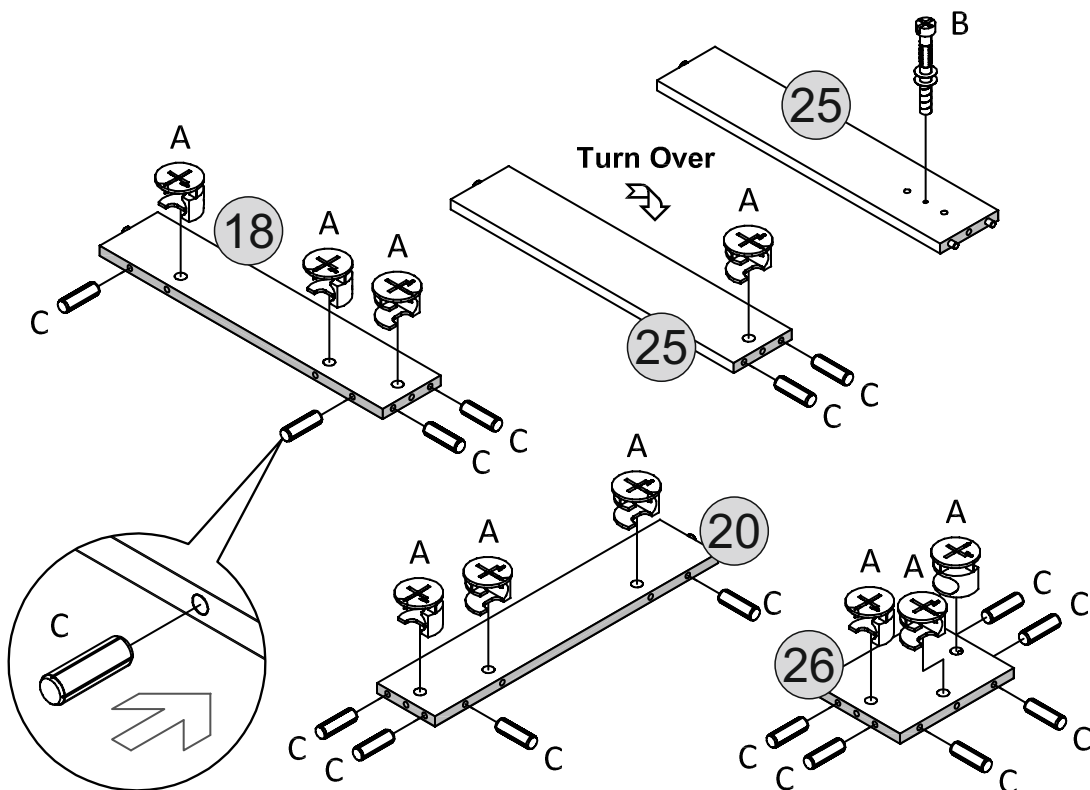
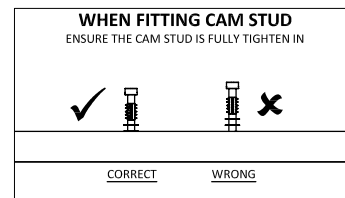
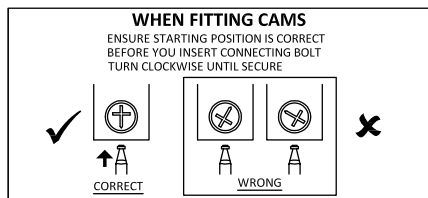
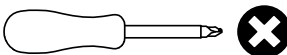
HARDWARE REQUIRED

A		10
---	---	----

B		01
---	---	----

C		16
---	---	----

TOOLS REQUIRED



STEP 20


PARTS REQUIRED

27- CENTRE SUPPORT PANEL	x1
30- BACK SUPPORT PANEL	x1

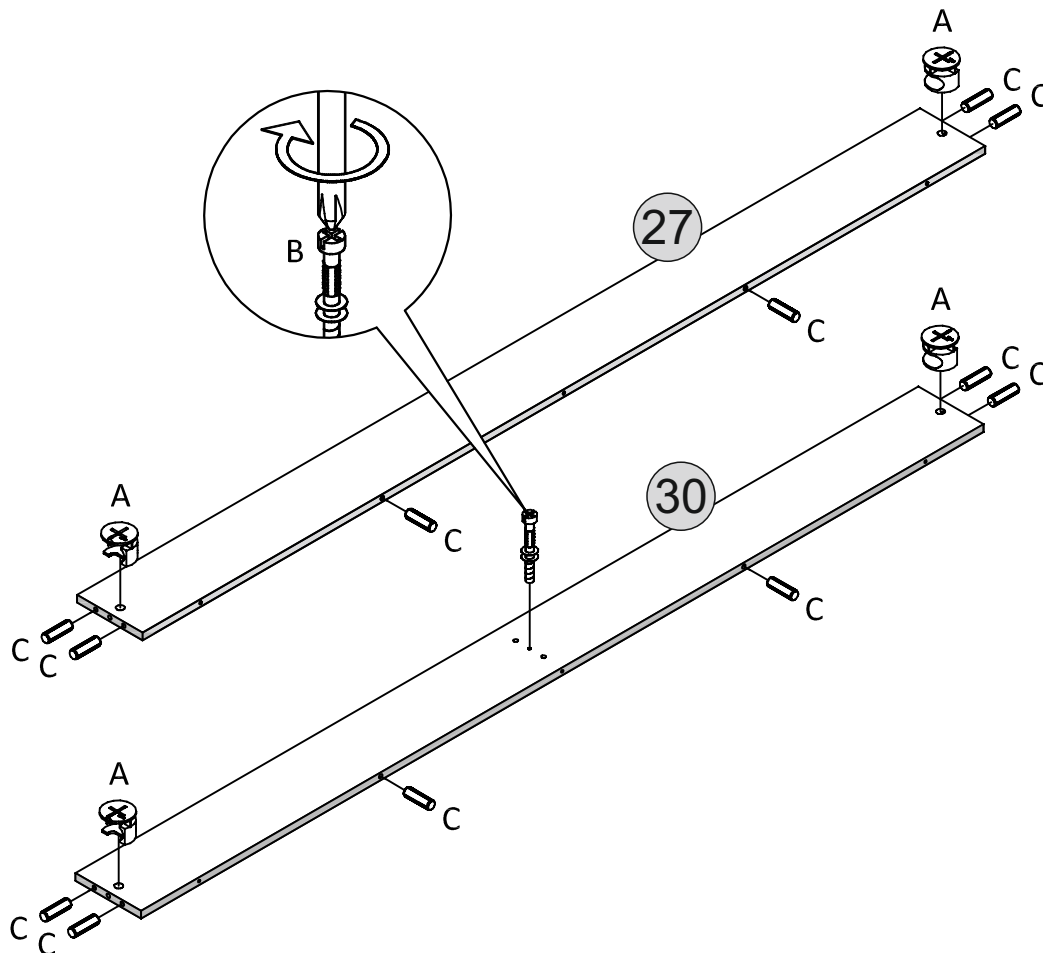
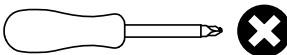
HARDWARE REQUIRED

A		04
---	---	----

B		01
---	---	----

C		12
---	---	----

TOOLS REQUIRED



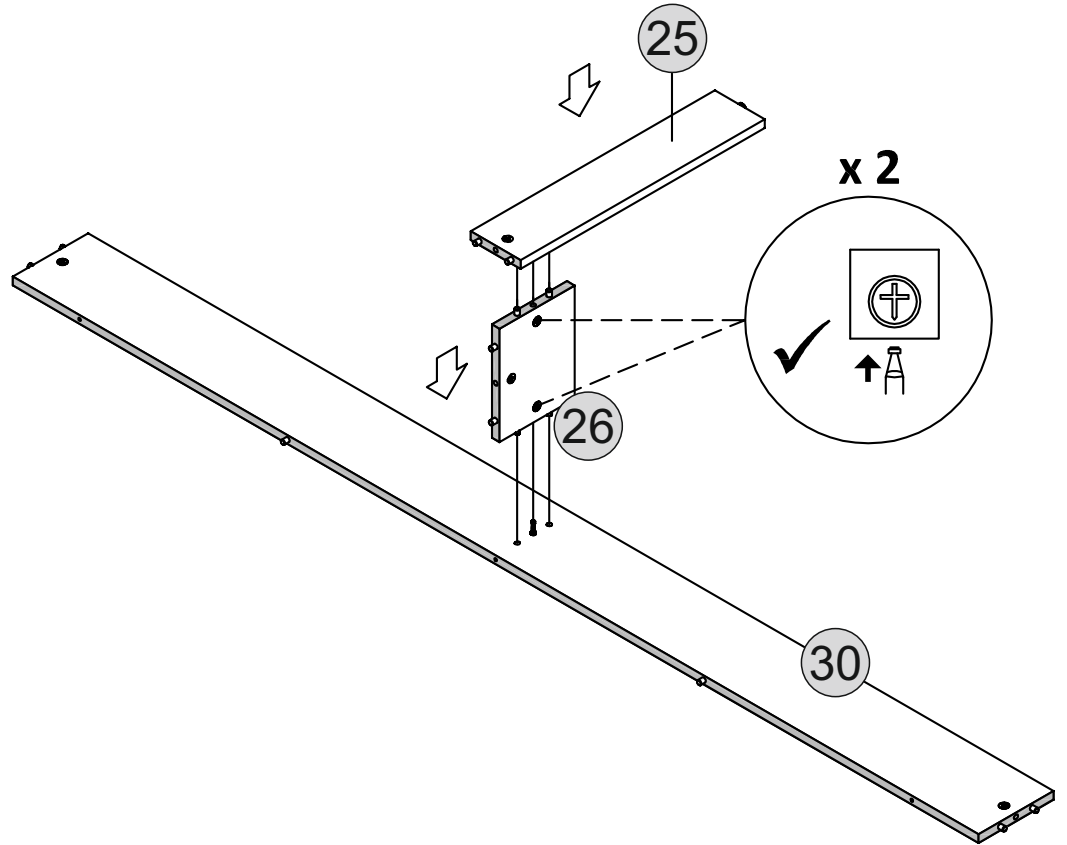
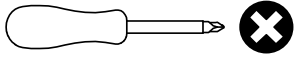
STEP 21

PARTS REQUIRED

25- SUPPORT PANEL (CENTRE)	x1
26- SUPPORT PANEL	x1
30- BACK SUPPORT PANEL	x1

HARDWARE REQUIRED

TOOLS REQUIRED

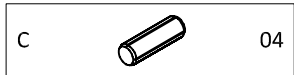
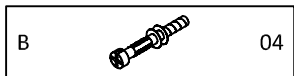


STEP 22

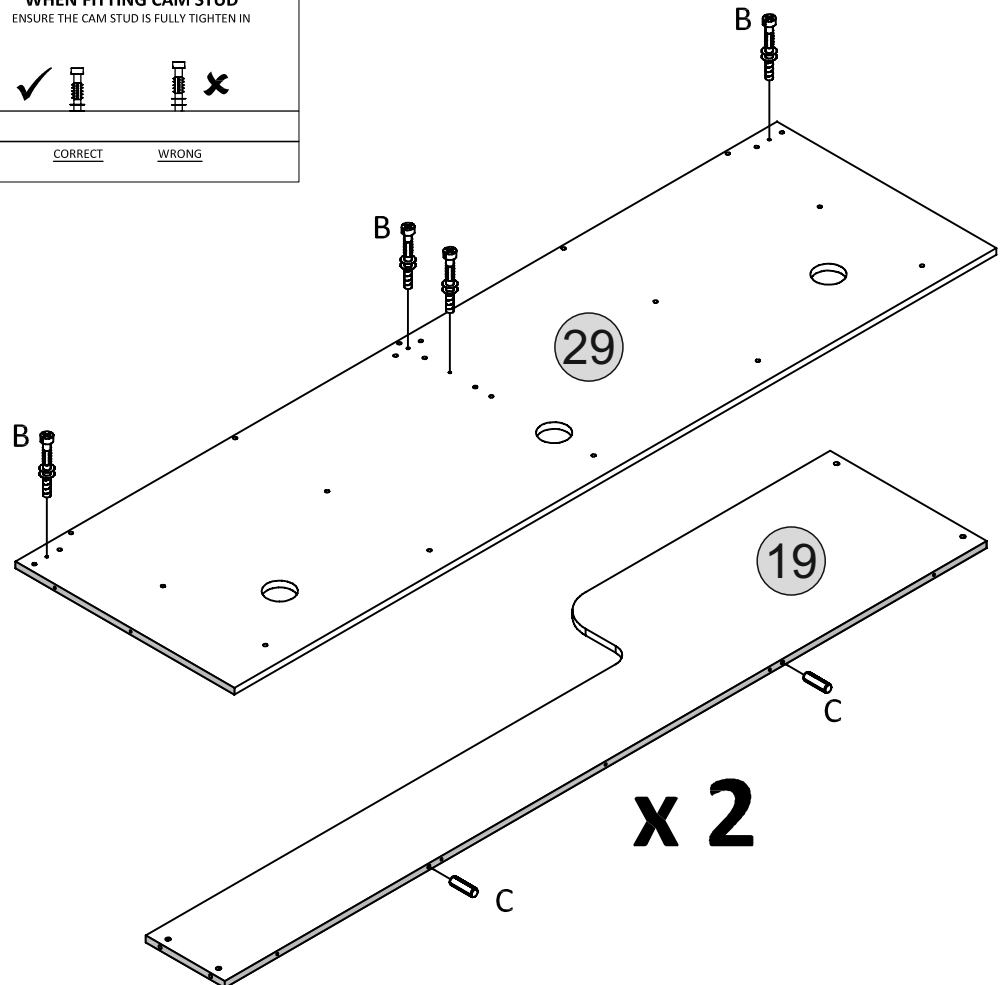
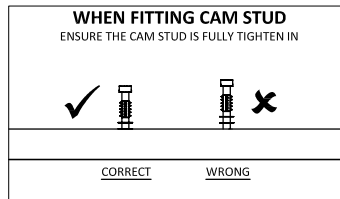
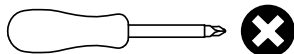
PARTS REQUIRED

19- SIDE PANEL	x2
29- BASE PANEL	x1

HARDWARE REQUIRED



TOOLS REQUIRED



STEP 23

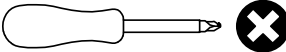
PARTS REQUIRED

17- HEADBOARD	x1
21- FOOTBOARD	x1

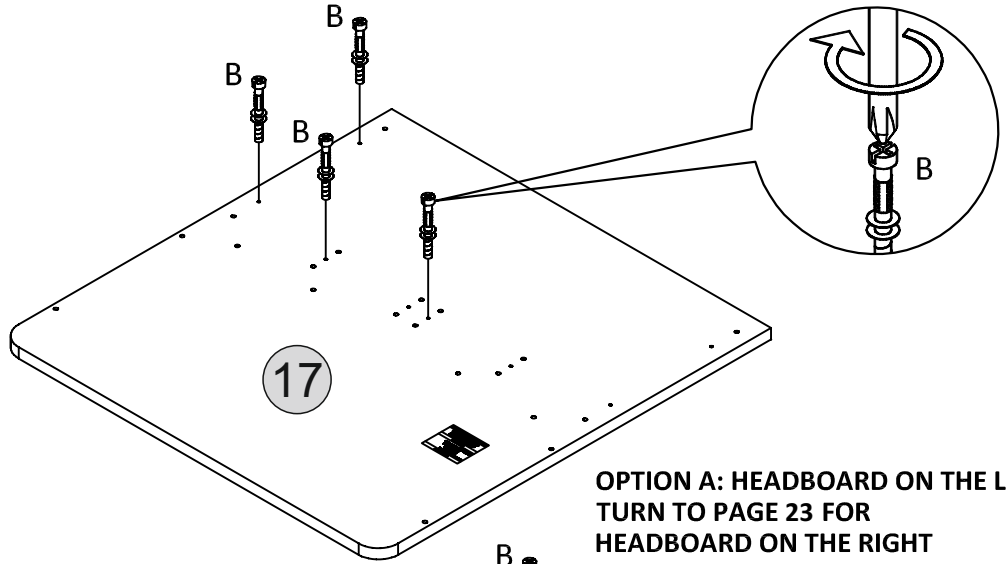
HARDWARE REQUIRED

B		08
---	---	----

TOOLS REQUIRED




OPTION A

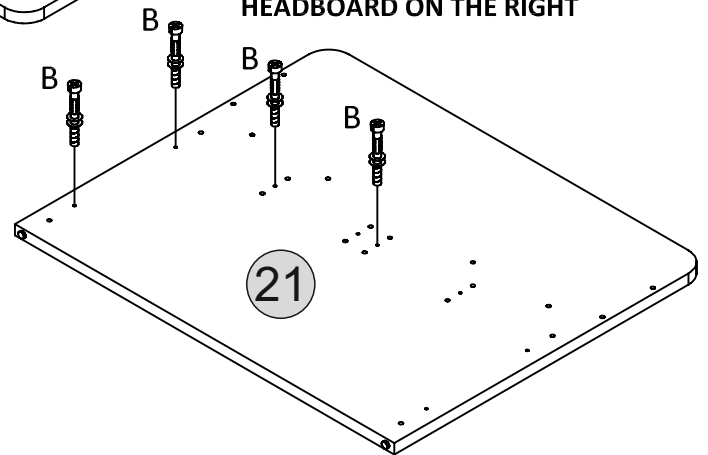


OPTION A: HEADBOARD ON THE LEFT
TURN TO PAGE 23 FOR
HEADBOARD ON THE RIGHT

WHEN FITTING CAM STUD
ENSURE THE CAM STUD IS FULLY TIGHTEN IN



CORRECT WRONG



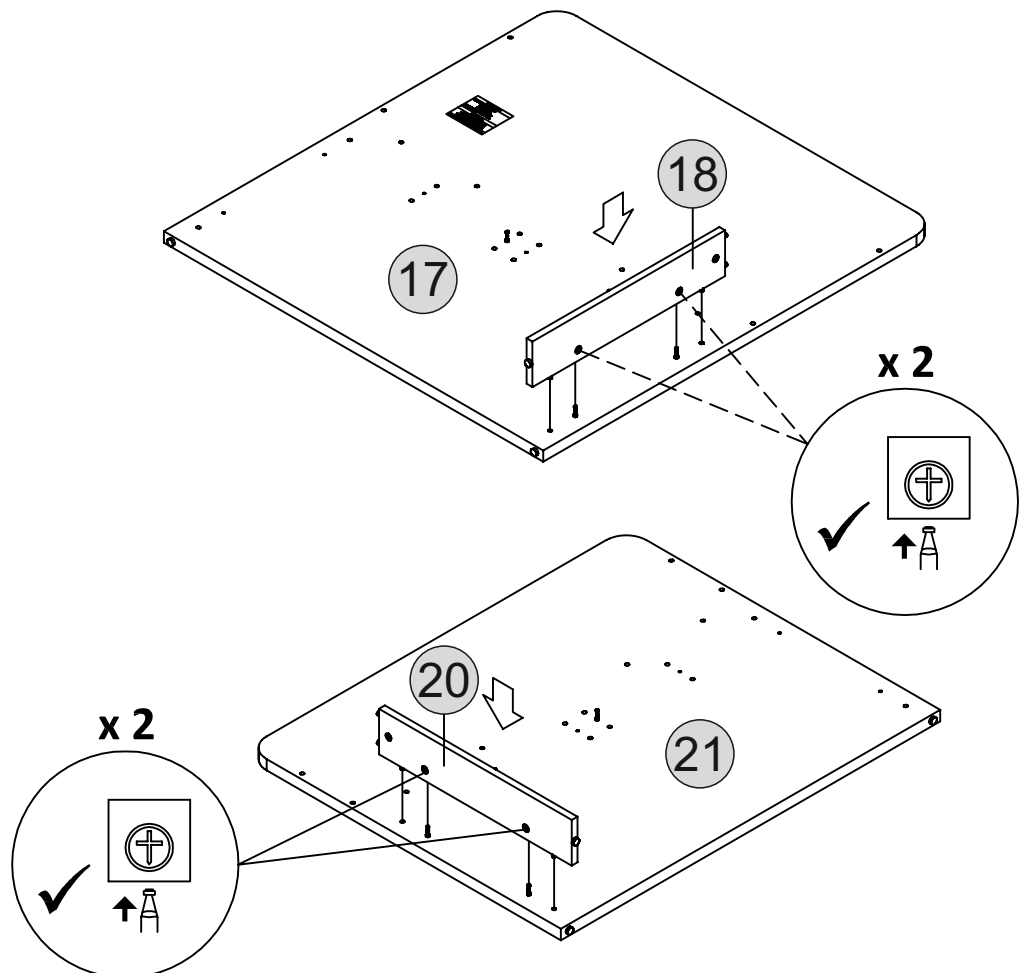
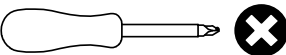
STEP 24

PARTS REQUIRED

17- HEADBOARD	x1
18- SUPPORT PANEL LEFT	x1
20- SUPPORT PANEL RIGHT	x1
21- FOOTBOARD	x1

HARDWARE REQUIRED

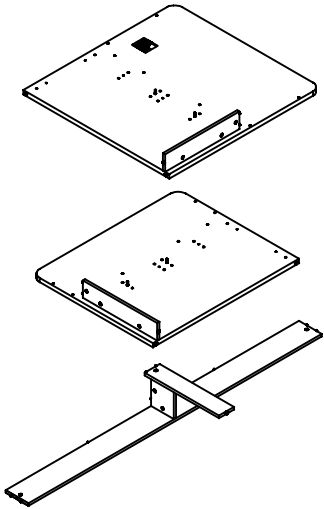
TOOLS REQUIRED



STEP 25

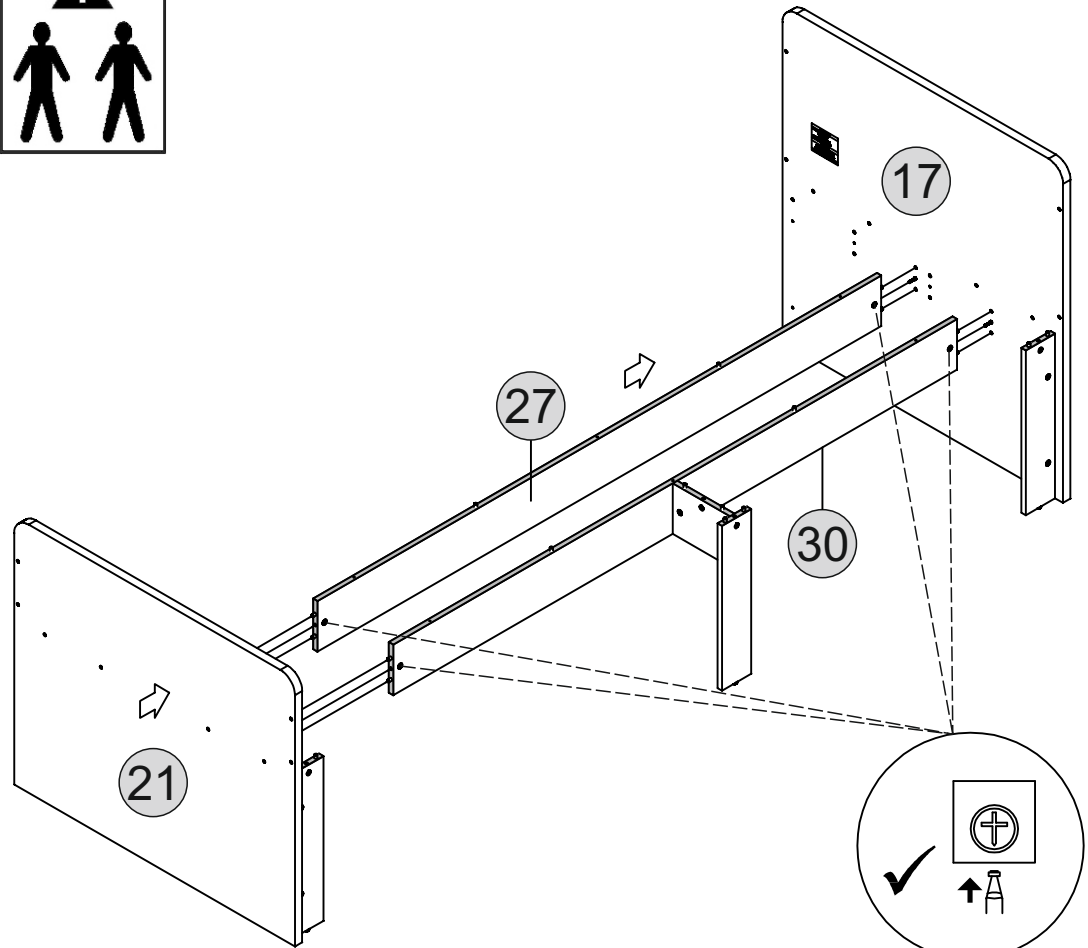
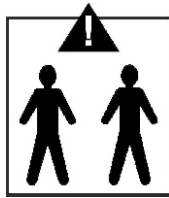
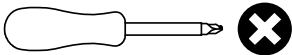
PARTS REQUIRED

27- CENTRE SUPPORT PANEL x1



HARDWARE REQUIRED

TOOLS REQUIRED

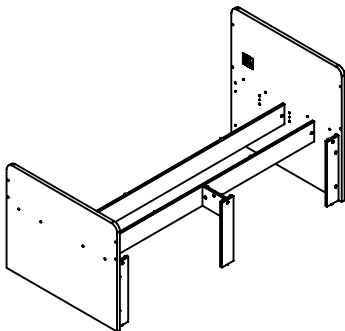


x 4

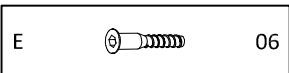
STEP 26

PARTS REQUIRED

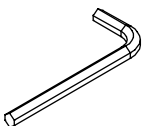
29- BASE PANEL x1



HARDWARE REQUIRED



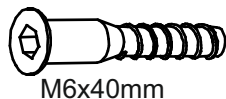
TOOLS REQUIRED



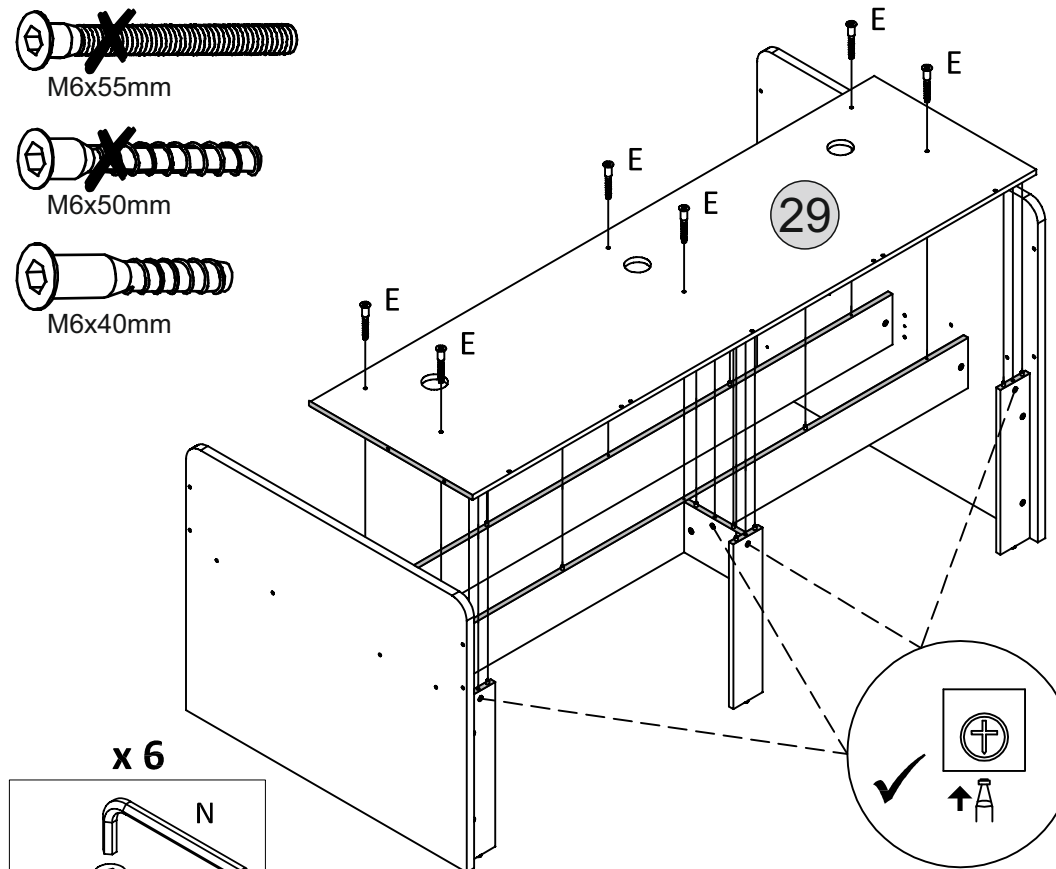
M6x55mm



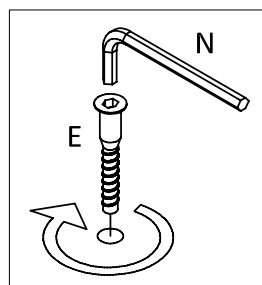
M6x50mm



M6x40mm



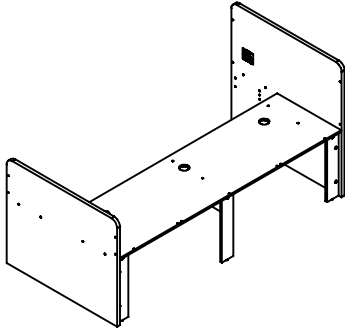
x 6



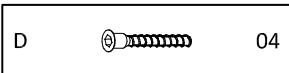
x 4

STEP 27

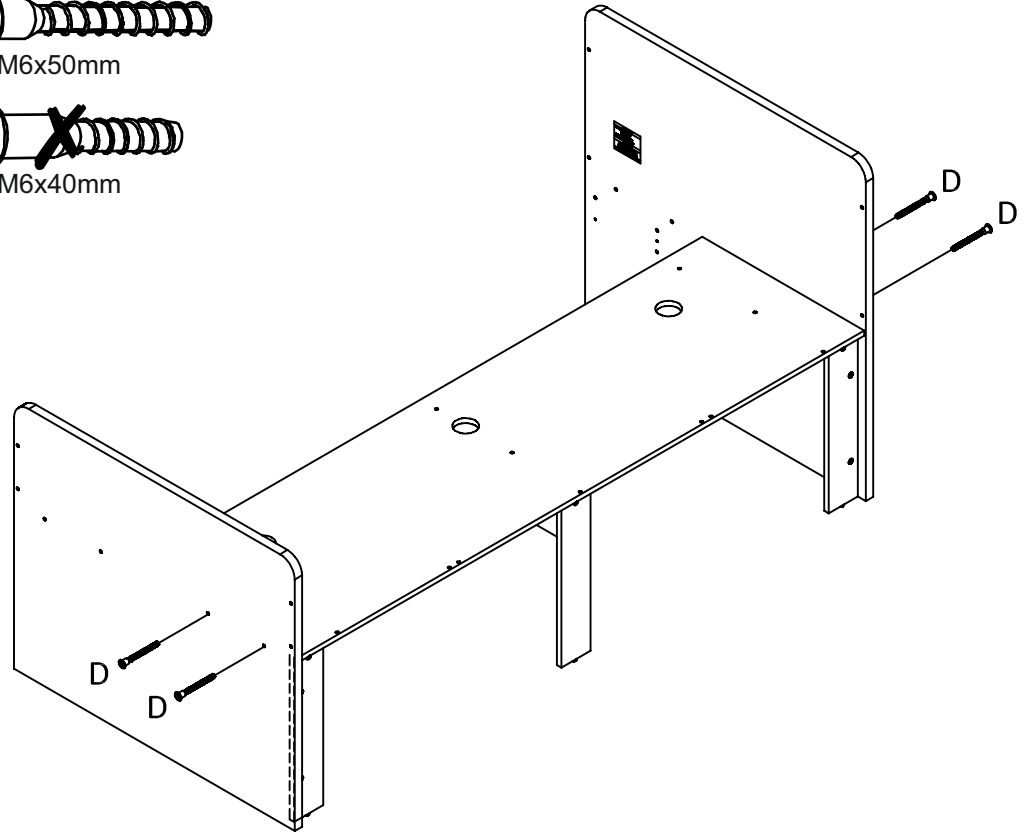
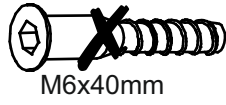
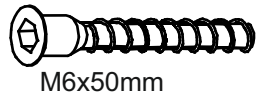
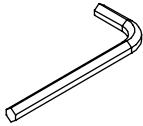
PARTS REQUIRED



HARDWARE REQUIRED



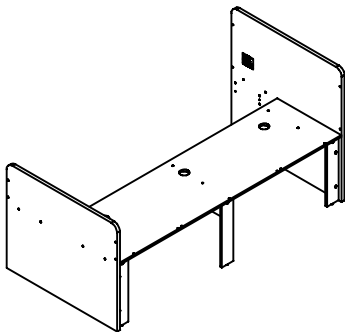
TOOLS REQUIRED



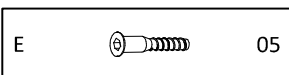
STEP 28

PARTS REQUIRED

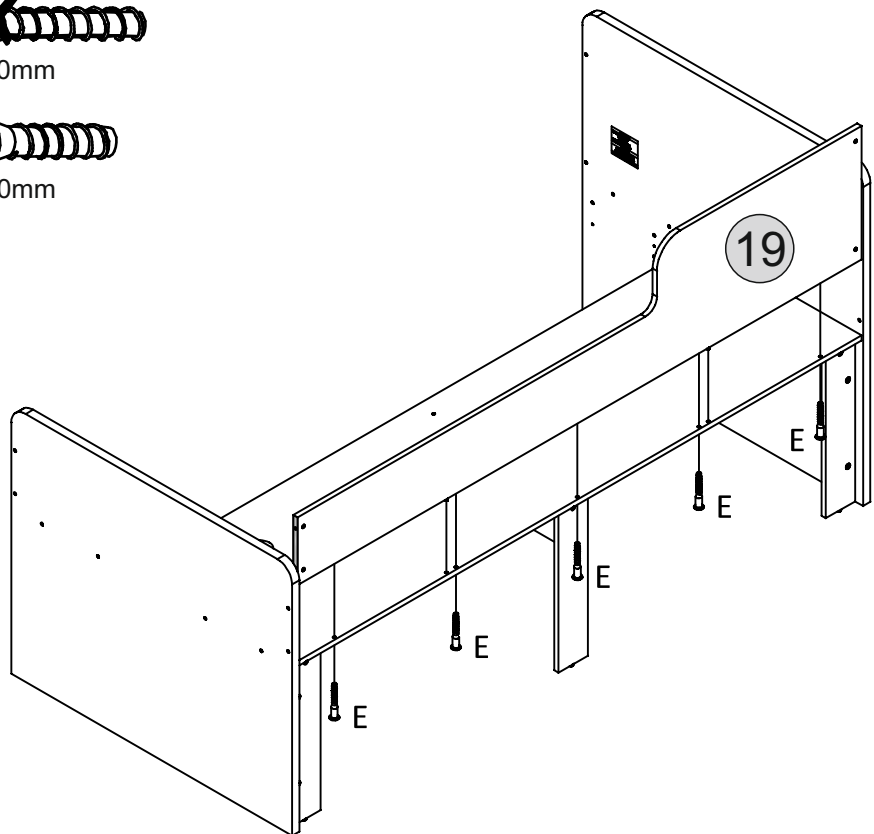
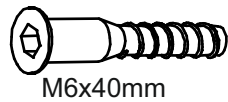
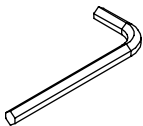
19- SIDE PANEL x1



HARDWARE REQUIRED

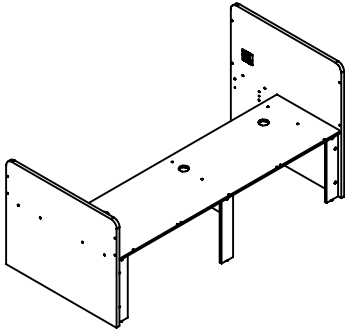


TOOLS REQUIRED



STEP 29

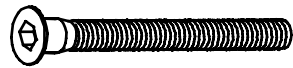
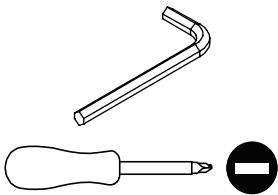
PARTS REQUIRED



HARDWARE REQUIRED



TOOLS REQUIRED



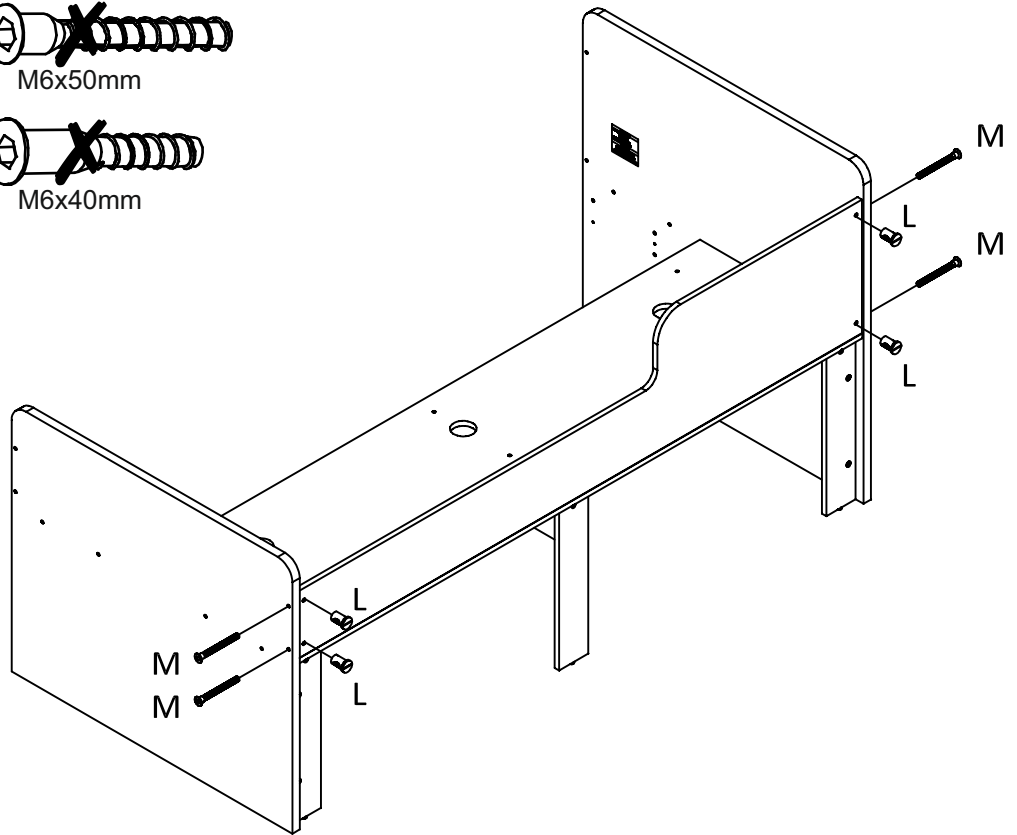
M6x55mm



M6x50mm

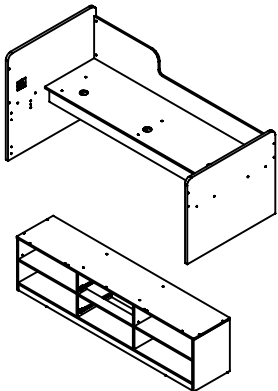


M6x40mm

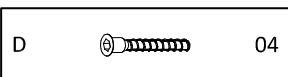


STEP 30

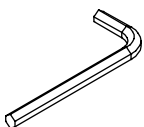
PARTS REQUIRED



HARDWARE REQUIRED



TOOLS REQUIRED



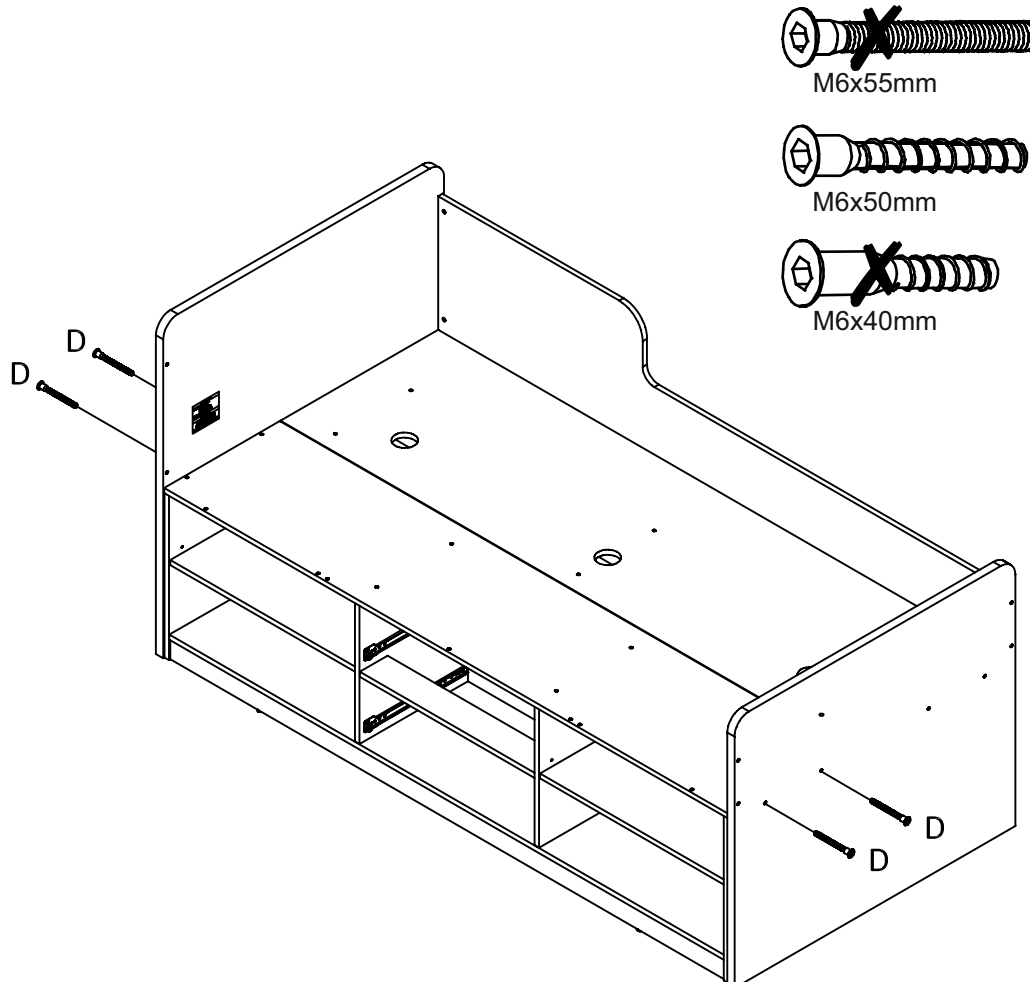
M6x55mm



M6x50mm



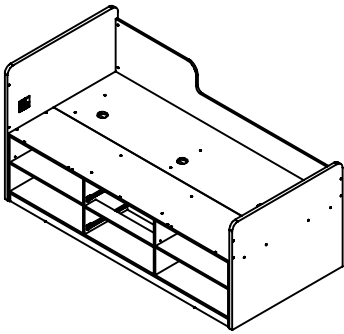
M6x40mm



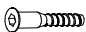
STEP 31

PARTS REQUIRED

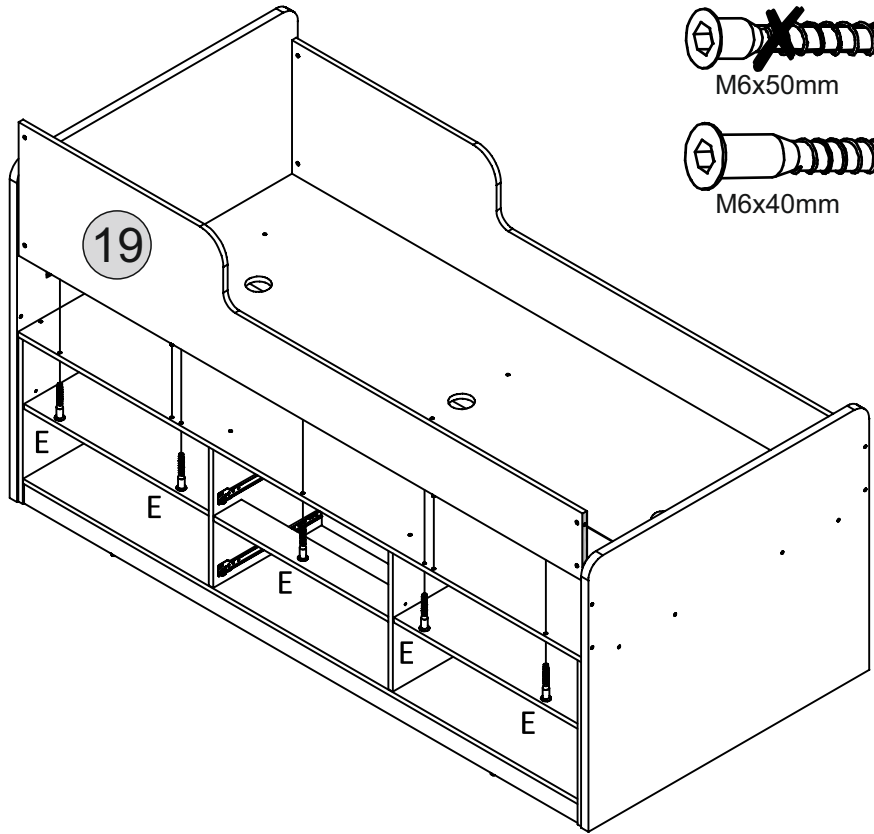
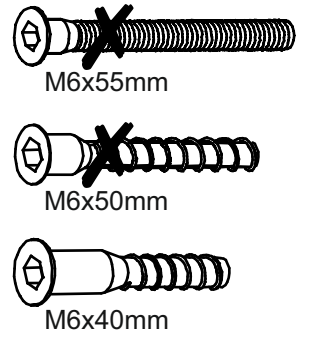
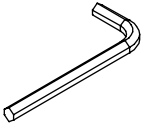
19- SIDE PANEL x1



HARDWARE REQUIRED

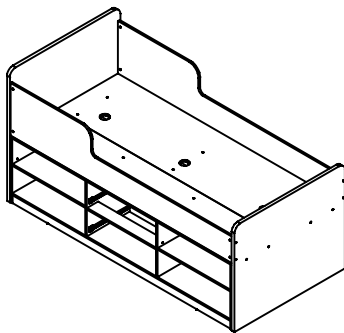
E  05

TOOLS REQUIRED



STEP 32

PARTS REQUIRED

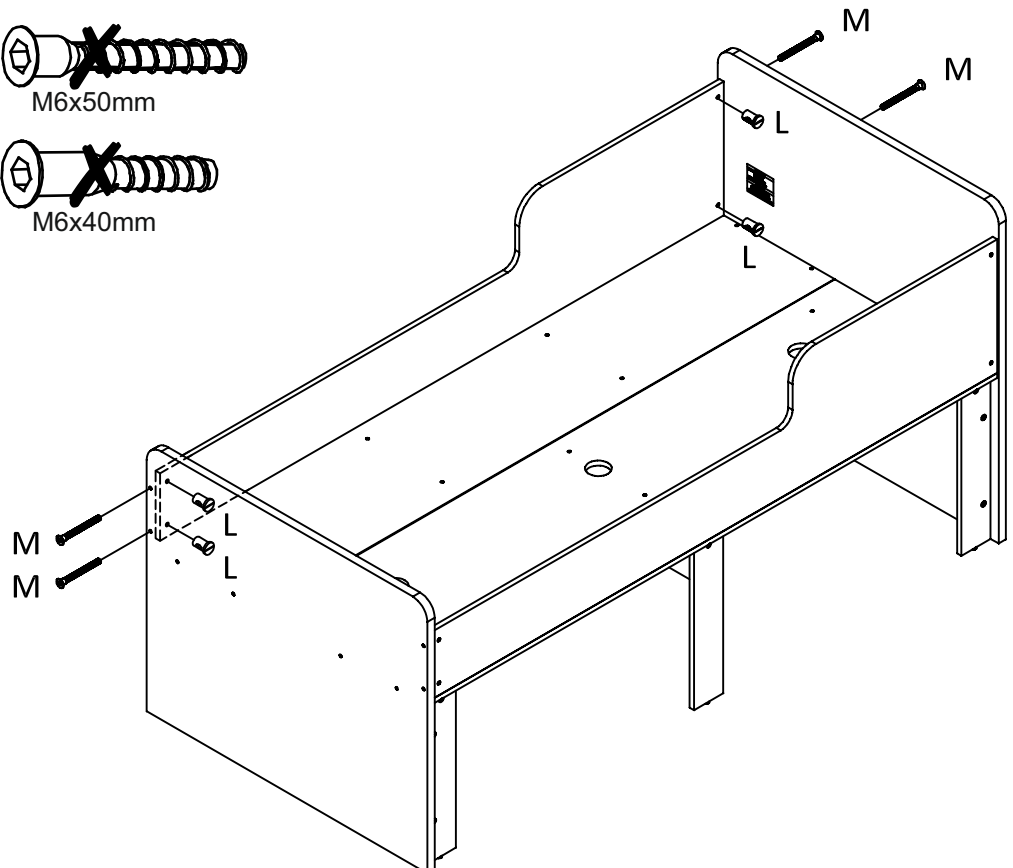
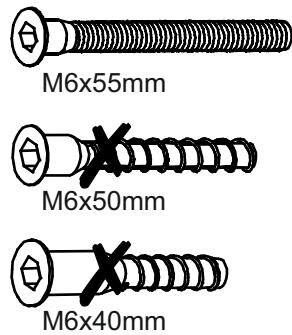
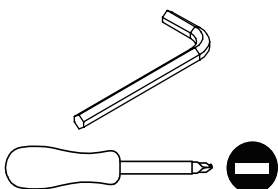


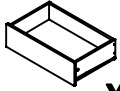
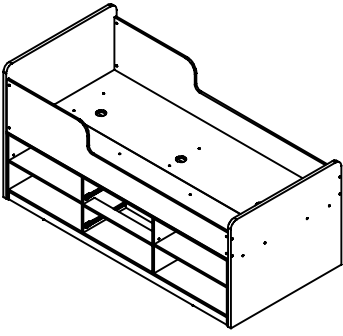
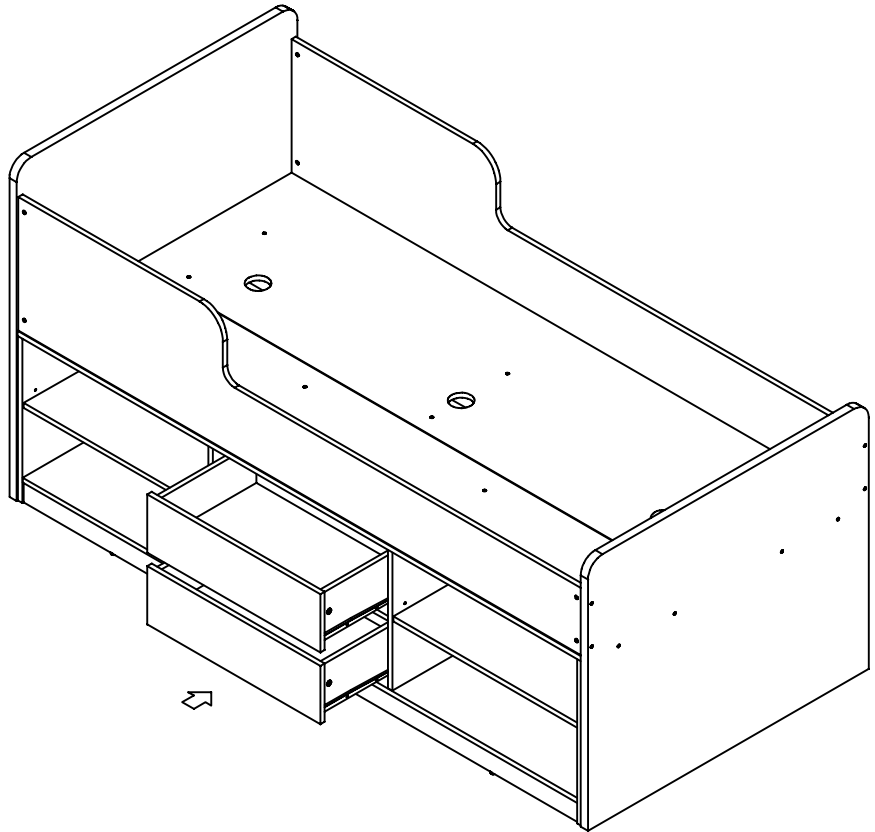
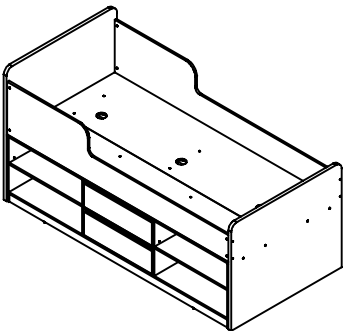
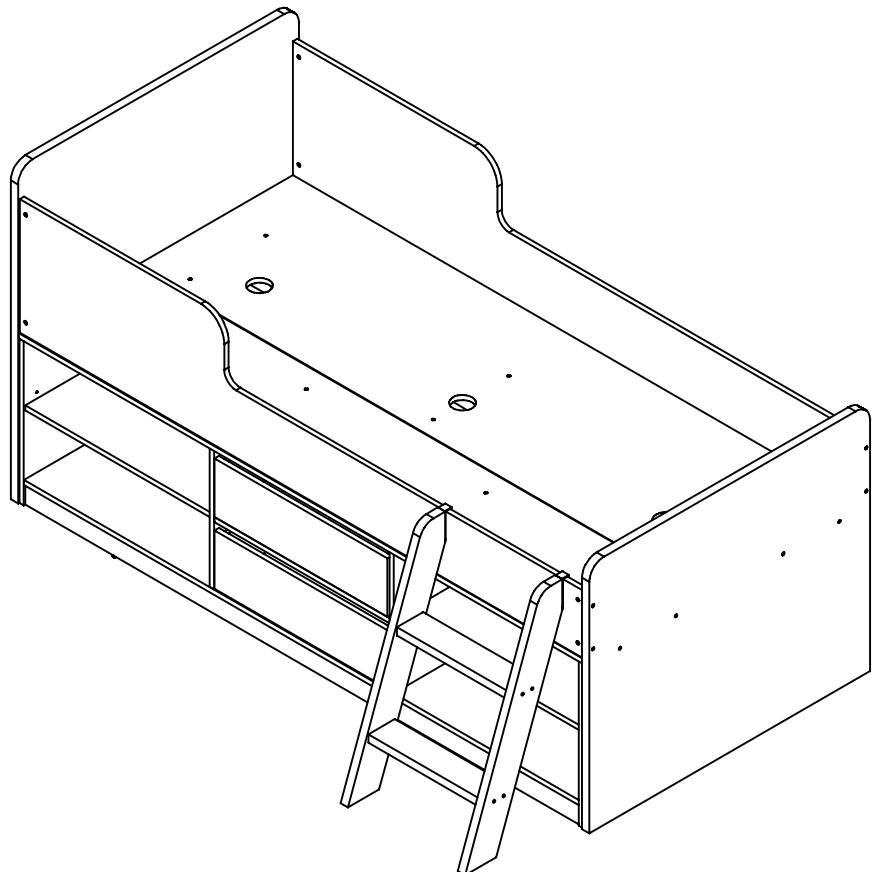
HARDWARE REQUIRED

L  04

M  04

TOOLS REQUIRED



STEP 33**PARTS REQUIRED****x 2****HARDWARE REQUIRED****TOOLS REQUIRED****STEP 34****PARTS REQUIRED****HARDWARE REQUIRED****TOOLS REQUIRED**

STEP 23

OPTION B

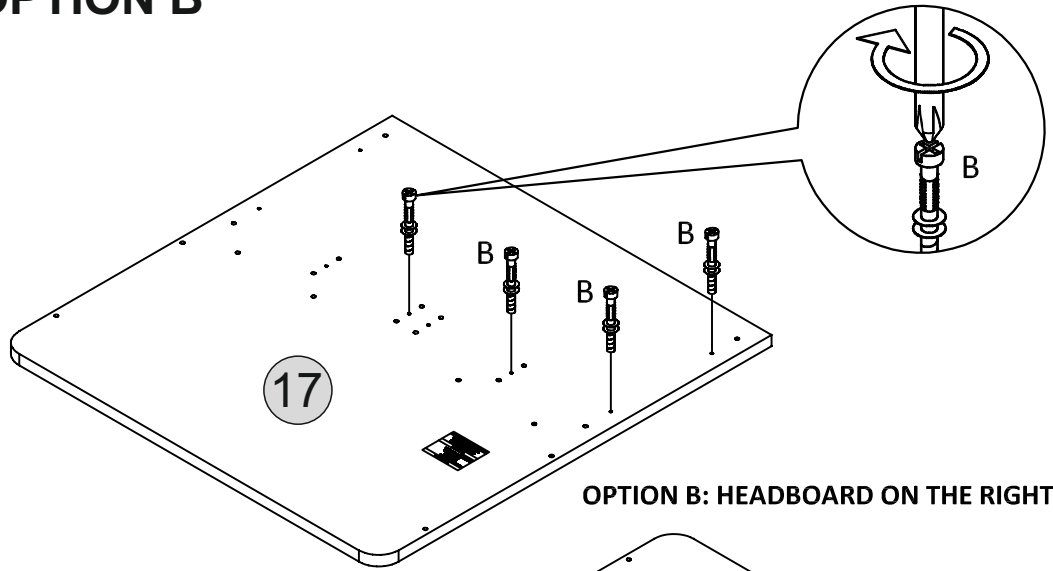
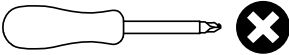
PARTS REQUIRED

17- HEADBOARD	x1
21- FOOTBOARD	x1

HARDWARE REQUIRED

B		08
---	---	----

TOOLS REQUIRED

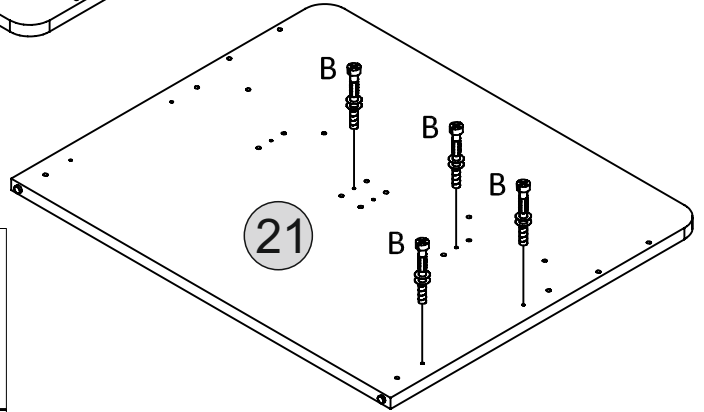


OPTION B: HEADBOARD ON THE RIGHT

WHEN FITTING CAM STUD
ENSURE THE CAM STUD IS FULLY TIGHTEN IN



CORRECT WRONG



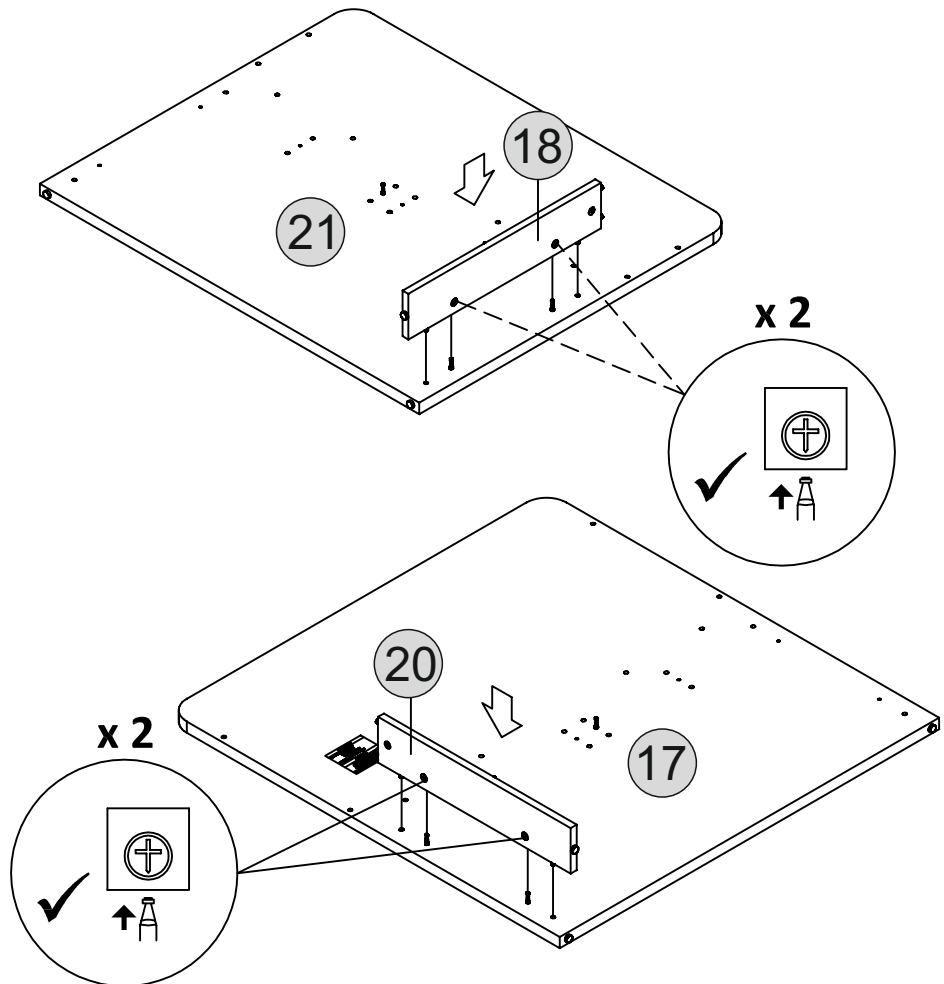
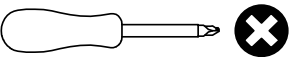
STEP 24

PARTS REQUIRED

17- HEADBOARD	x1
18- SUPPORT PANEL LEFT	x1
20- SUPPORT PANEL RIGHT	x1
21- FOOTBOARD	x1

HARDWARE REQUIRED

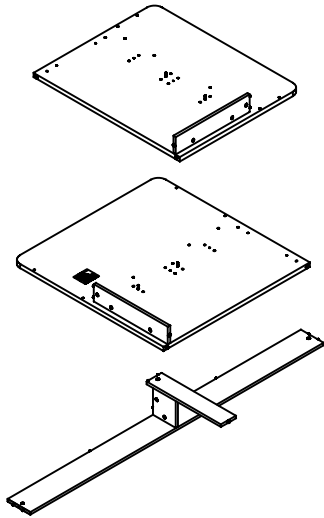
TOOLS REQUIRED



STEP 25

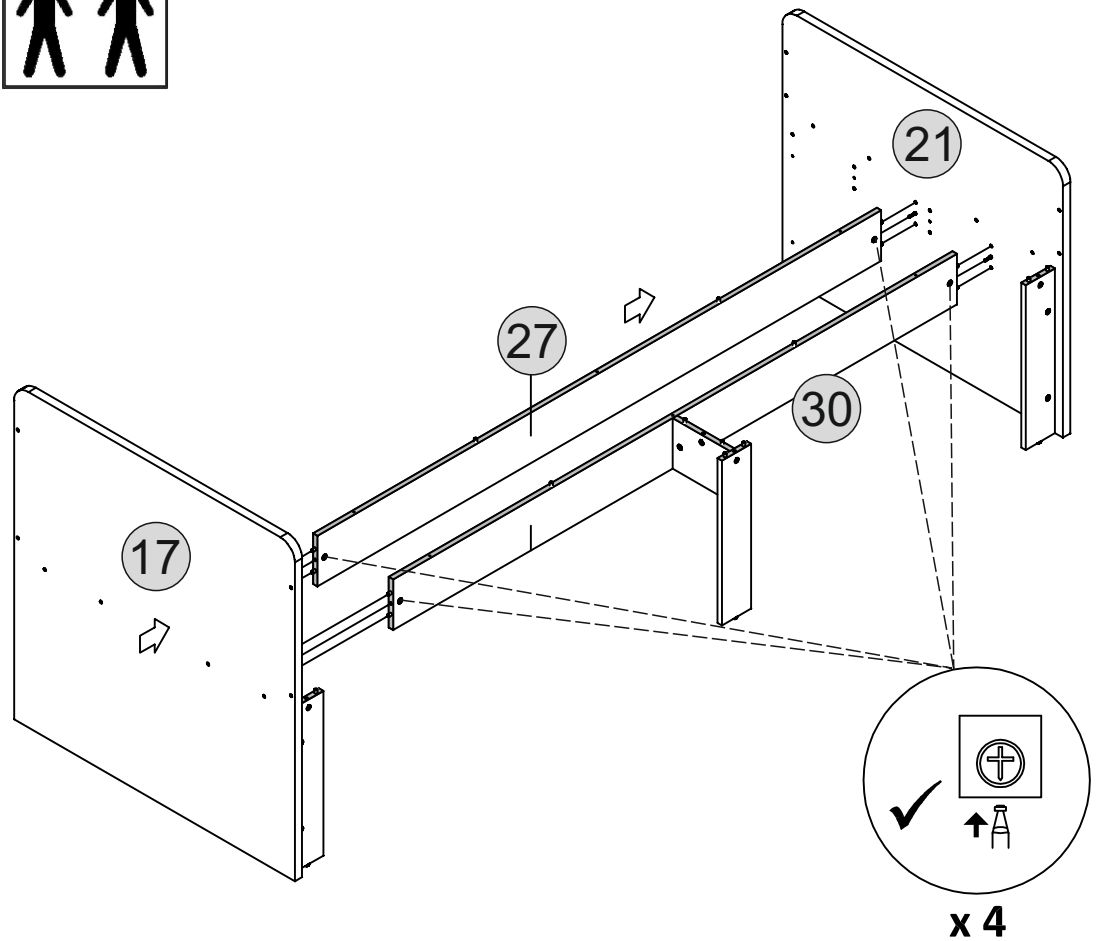
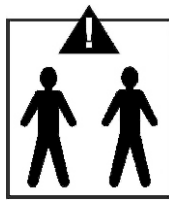
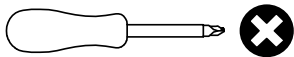
PARTS REQUIRED

27- CENTRE SUPPORT PANEL x1



HARDWARE REQUIRED

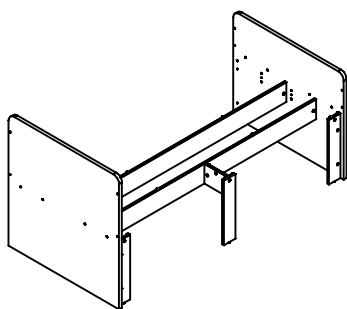
TOOLS REQUIRED



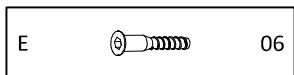
STEP 26

PARTS REQUIRED

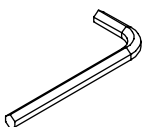
29- BASE PANEL x1



HARDWARE REQUIRED



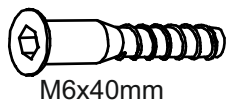
TOOLS REQUIRED



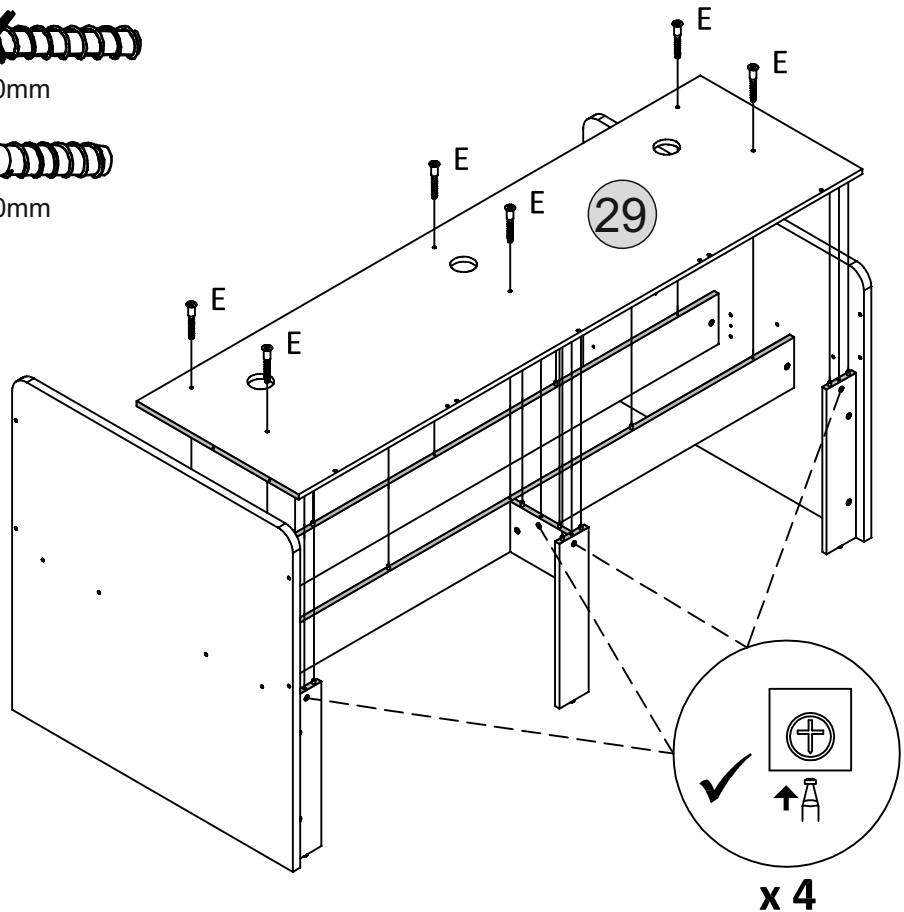
M6x55mm



M6x50mm

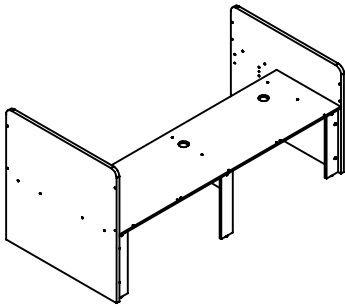


M6x40mm

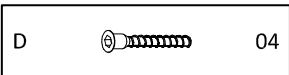


STEP 27

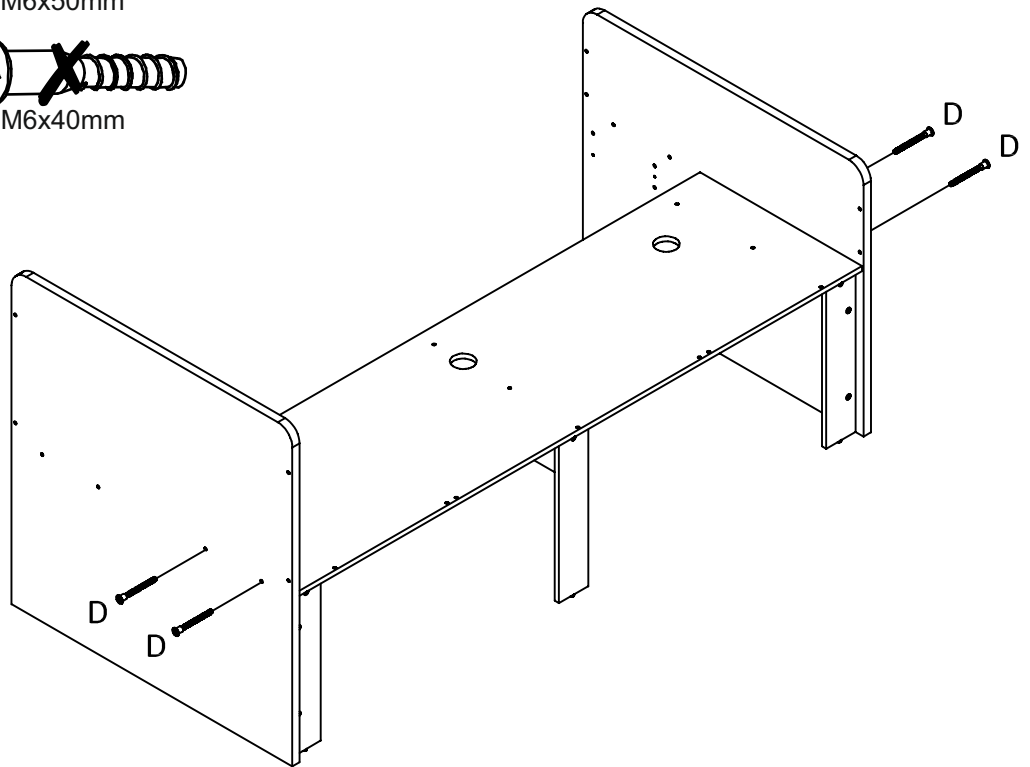
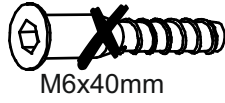
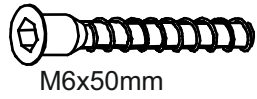
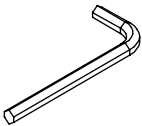
PARTS REQUIRED



HARDWARE REQUIRED

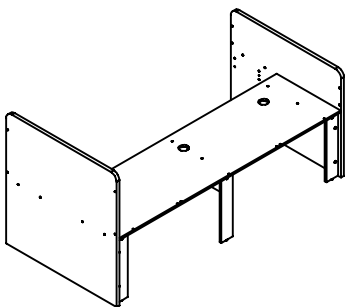
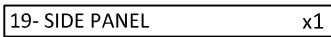


TOOLS REQUIRED

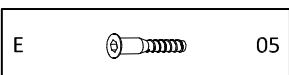


STEP 28

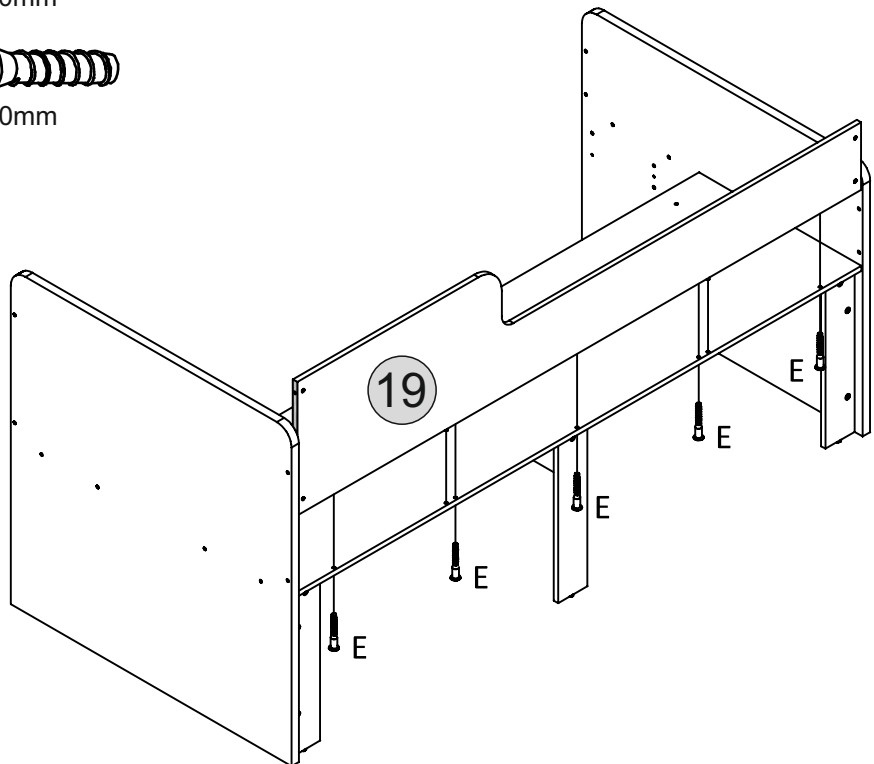
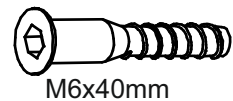
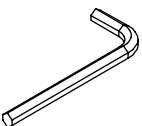
PARTS REQUIRED



HARDWARE REQUIRED

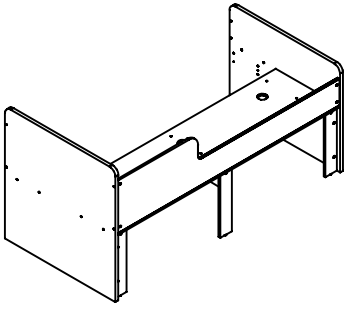


TOOLS REQUIRED

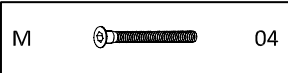


STEP 29

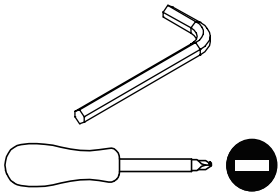
PARTS REQUIRED



HARDWARE REQUIRED



TOOLS REQUIRED



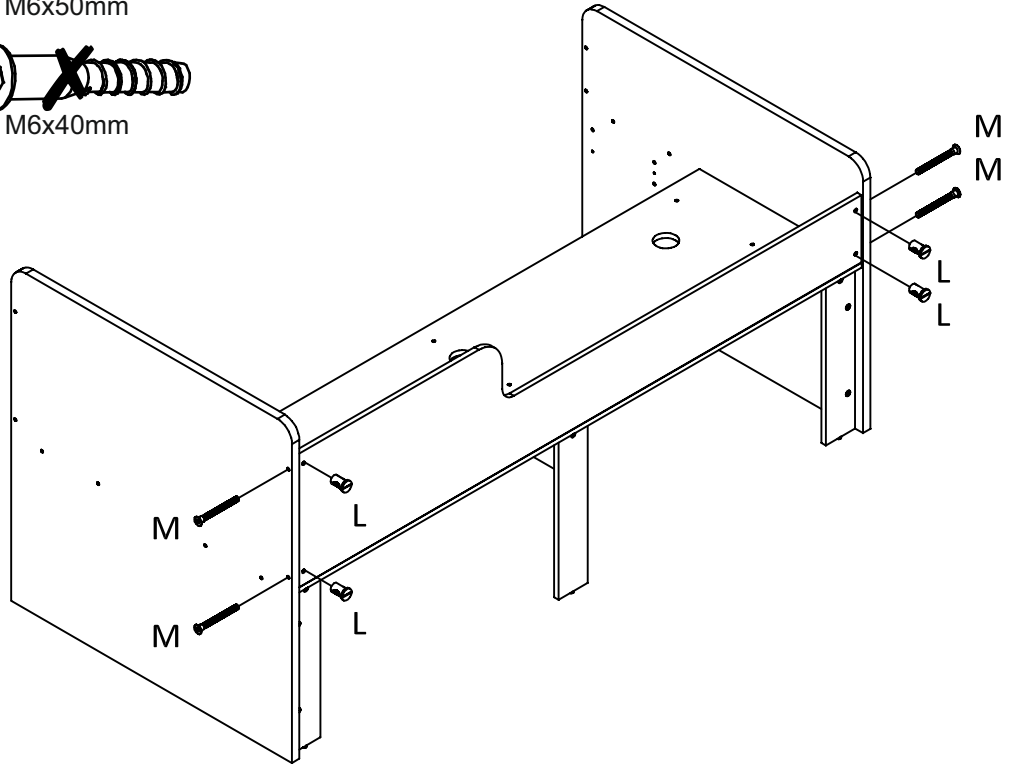
M6x55mm



M6x50mm

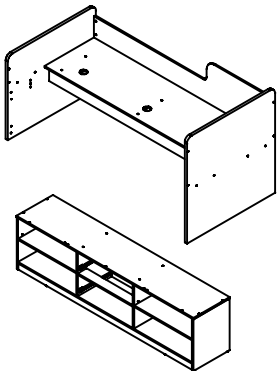


M6x40mm

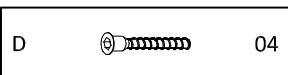


STEP 30

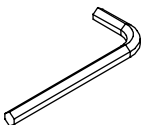
PARTS REQUIRED



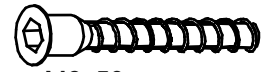
HARDWARE REQUIRED



TOOLS REQUIRED



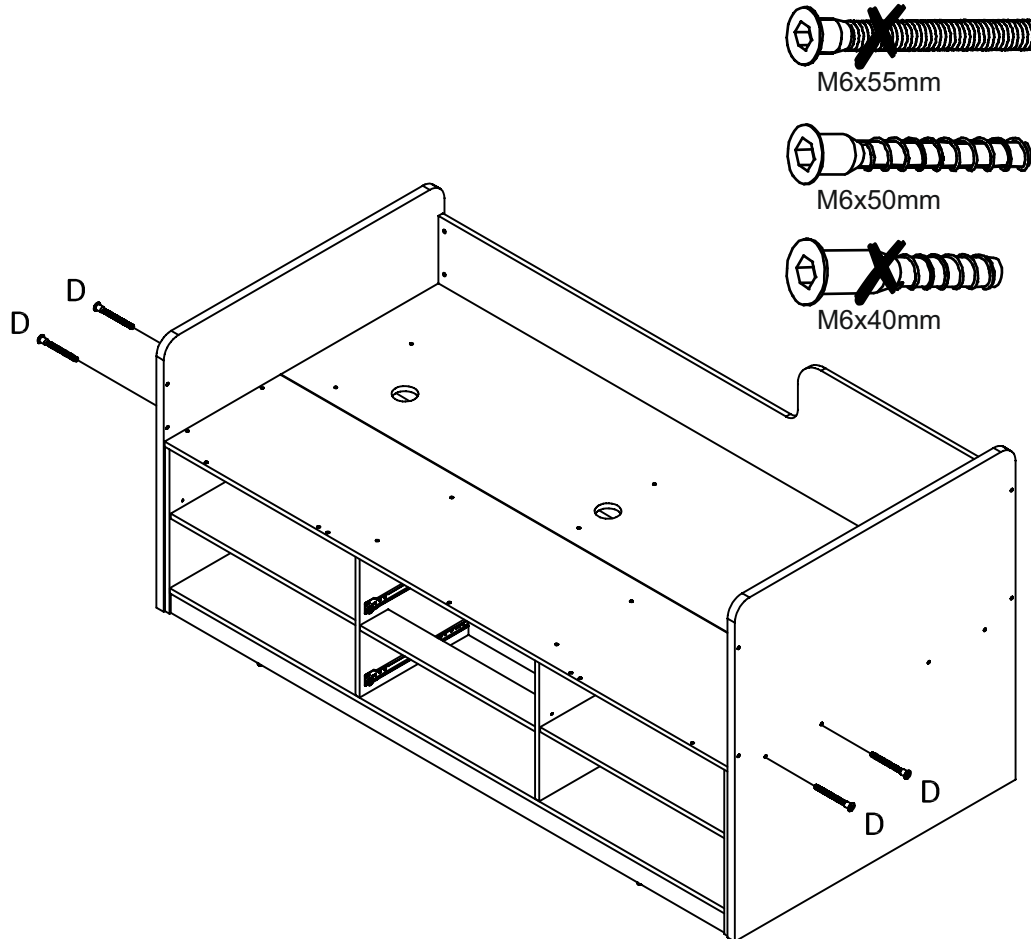
M6x55mm



M6x50mm



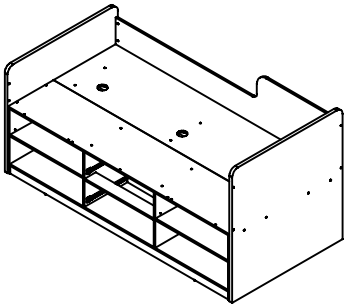
M6x40mm



STEP 31

PARTS REQUIRED

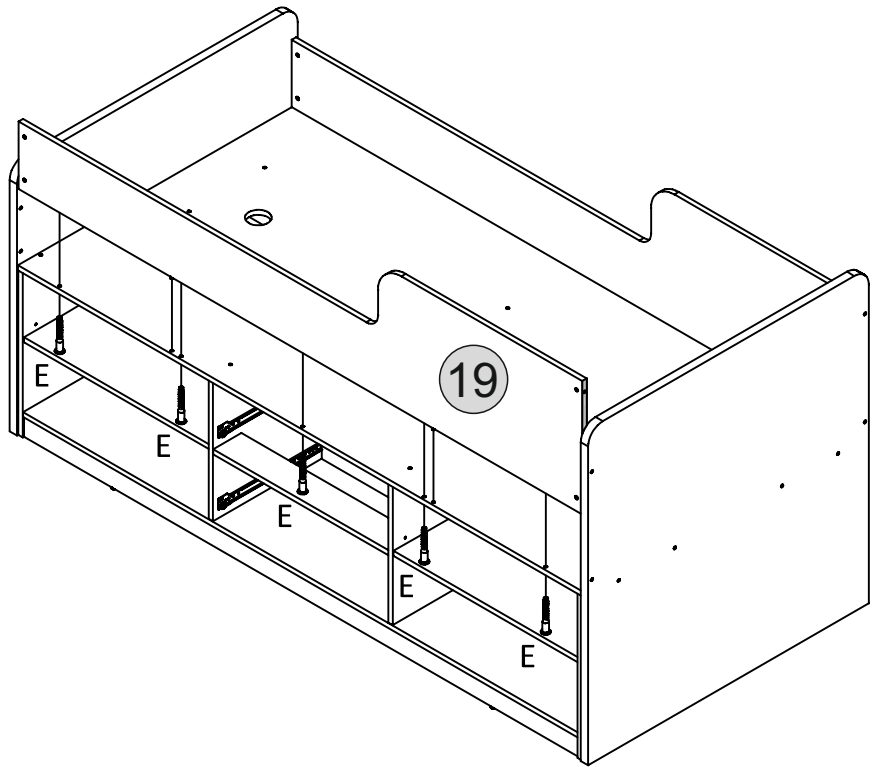
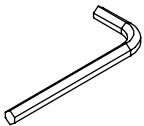
19- SIDE PANEL x1



HARDWARE REQUIRED

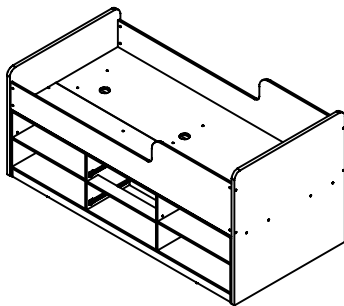
E  05

TOOLS REQUIRED




STEP 32

PARTS REQUIRED

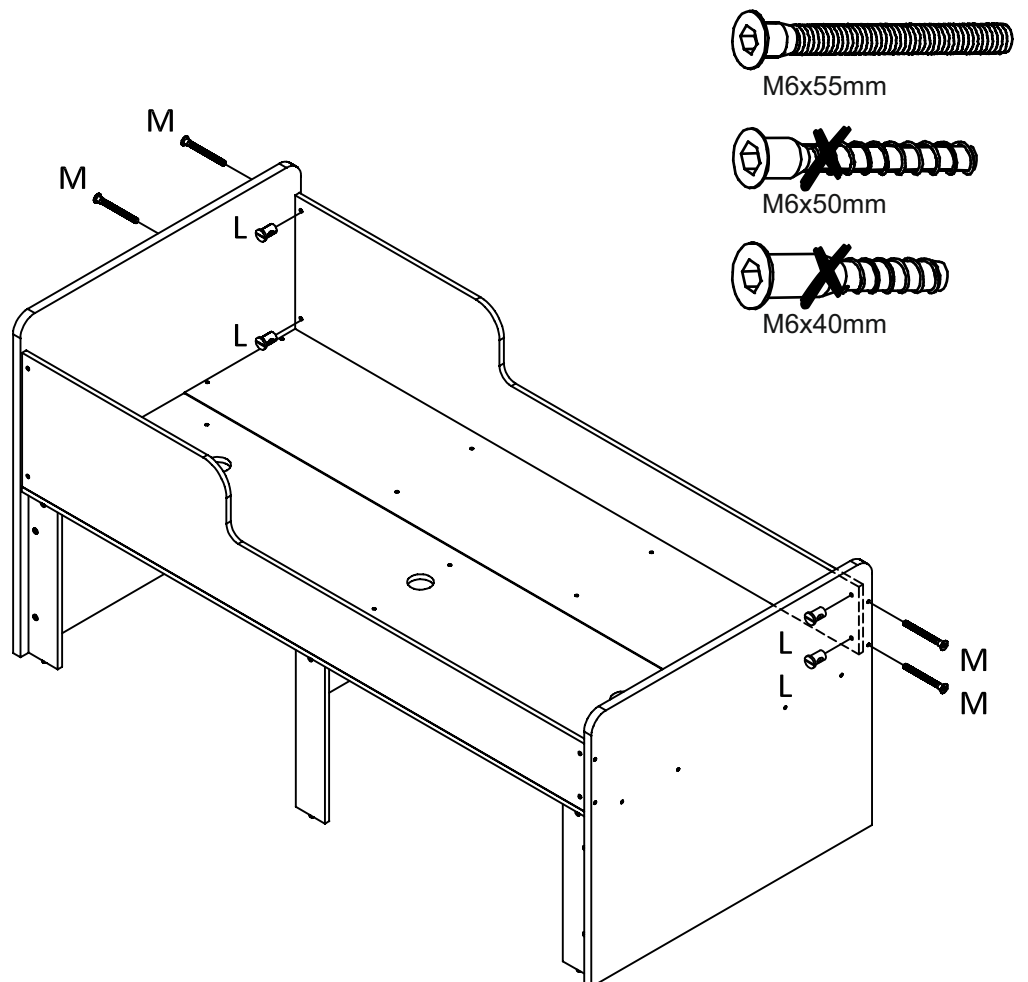
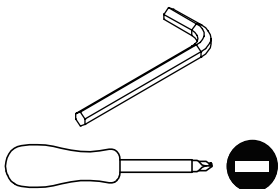


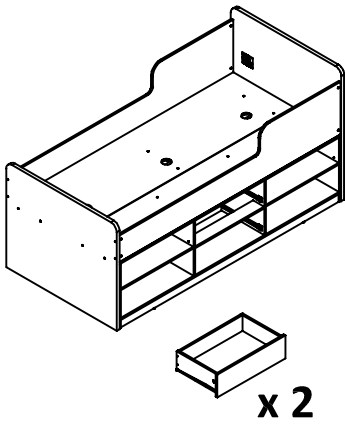
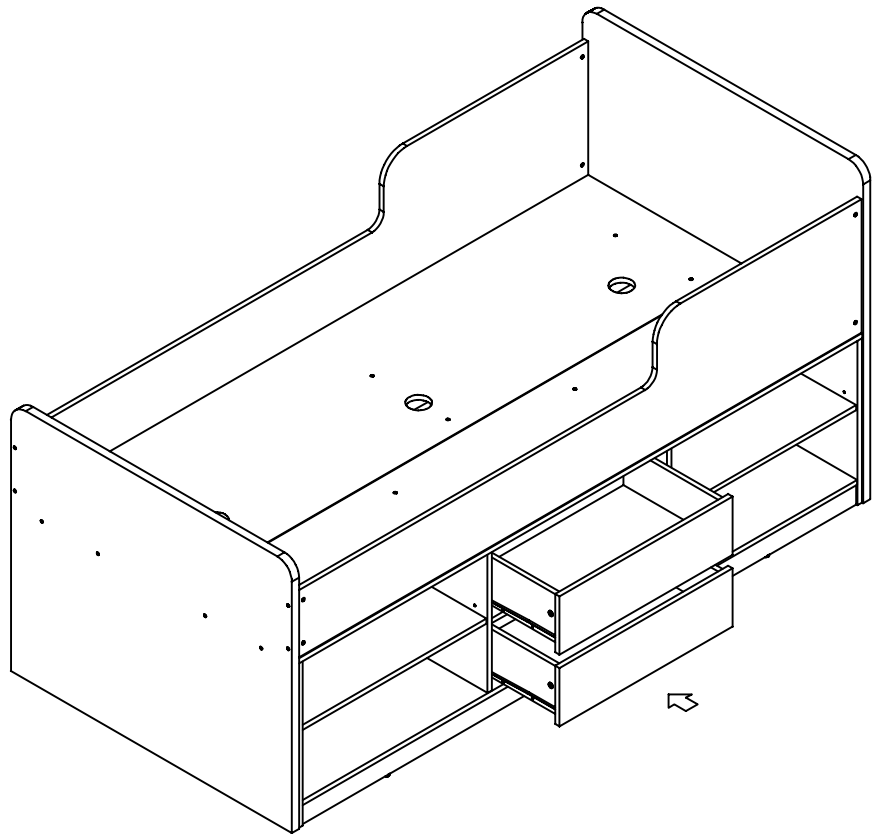
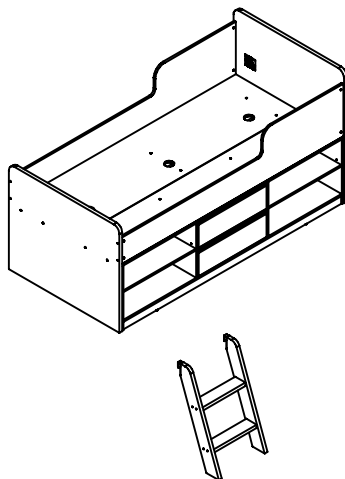
HARDWARE REQUIRED

L  04

M  04

TOOLS REQUIRED



STEP 33**PARTS REQUIRED****HARDWARE REQUIRED****TOOLS REQUIRED****STEP 34****PARTS REQUIRED****HARDWARE REQUIRED****TOOLS REQUIRED**

**MAX BED
WEIGHT**

