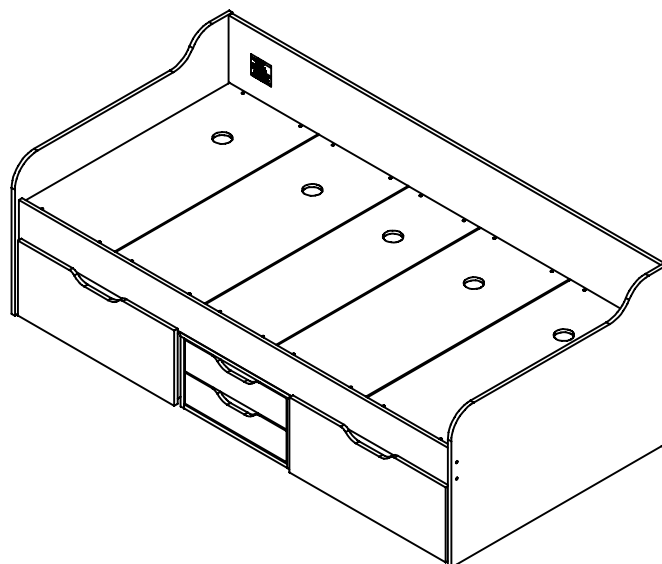


DANTE DAY BED

ASSEMBLY INSTRUCTIONS



**MAX BED
WEIGHT**



FOR DOMESTIC USE ONLY

IMPORTANT

PLEASE READ BEFORE YOU CONTINUE FURTHER

THE PRODUCT YOU HAVE PURCHASED WILL GIVE YOU MANY YEARS OF SERVICE IF YOU FOLLOW THE GUIDELINES FOR ITS SAFE ASSEMBLY AND PERIODIC MAINTENANCE AND CLEANING.

ASSEMBLE ON A SOFT CLEAN SURFACE.

DO NOT USE ANY TOOLS OTHER THAN THOSE SHOWN.

ANY SPANNERS OR ALLEN KEYS REQUIRED ARE INCLUDED WITH THE FITTING KIT.

DO NOT FOR ANY REASON USE A POWER TOOL TO ASSEMBLE THIS PRODUCT. ITS USE WILL INVALIDATE ANY CLAIM YOU MAY HAVE AND COULD MAKE THIS PRODUCT UNSAFE.

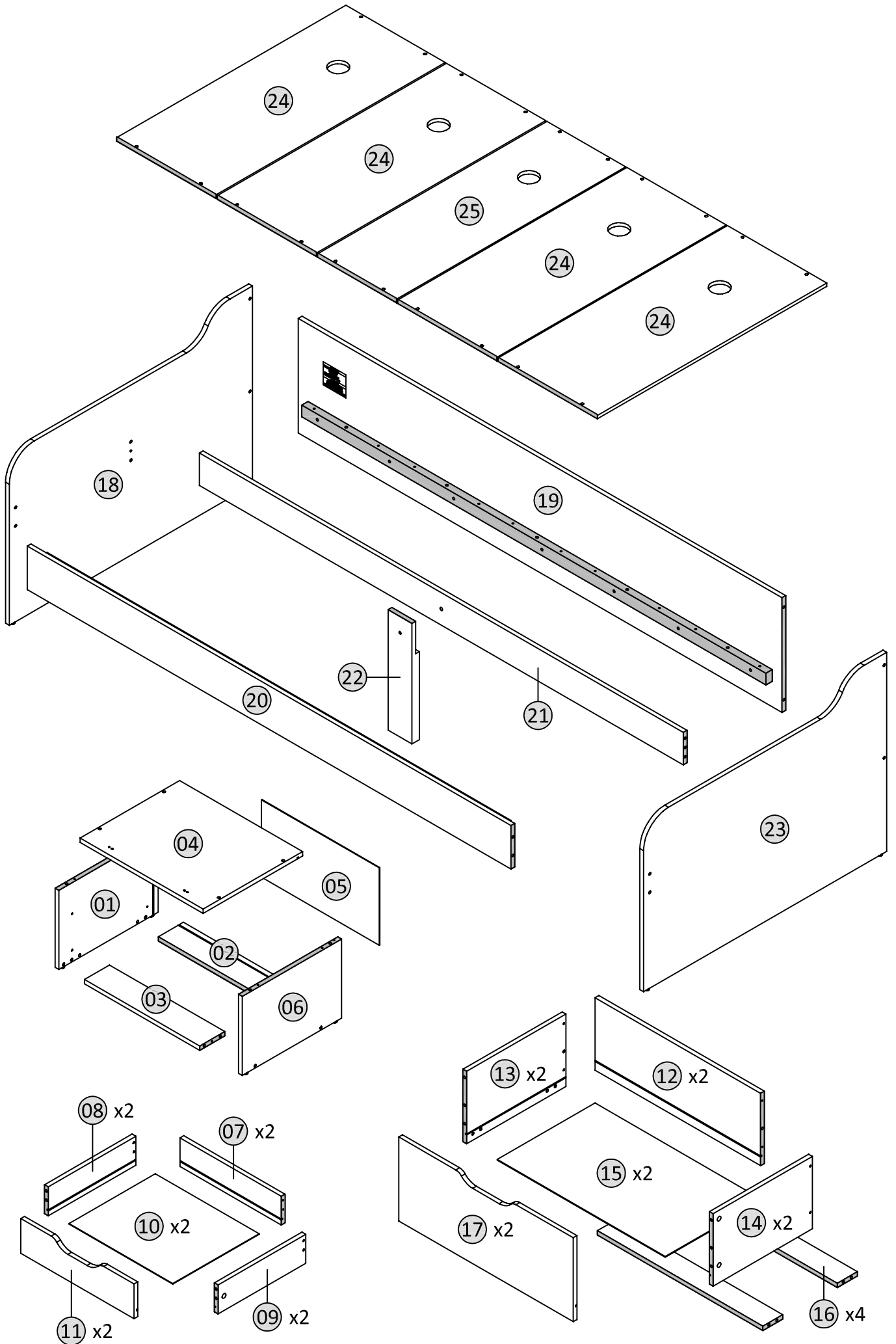
DEPENDING ON THE AMOUNT OF USE THIS PRODUCT RECEIVES. IT MAY BE NECESSARY TO TIGHTEN UP THE FIXINGS FROM TIME TO TIME. THIS IS COMPLETELY NORMAL FOR ANY FLAT PACK FURNITURE. DO NOT OVERTIGHTEN FIXINGS.

FOR CLEANING, YOU MAY USE A DAMP CLOTH (NOT WET). DO NOT USE POLISH, DETERGENT OR CHEMICAL CLEANERS.















THIS SURFACE OF THIS ITEM IS NOT HEAT RESISTANT. ALWAYS USE A PLACE MAT UNDER HOT OR COLD ITEMS TO PREVENT MARKING.

PART LIST

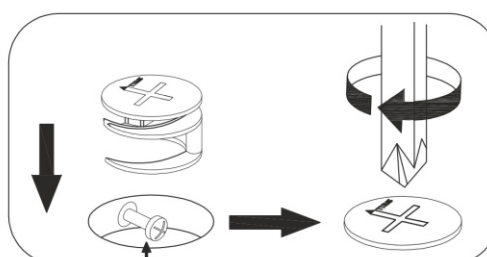
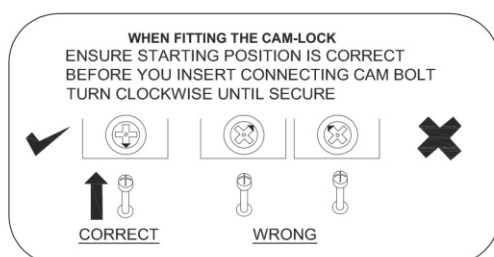
Part Number	Part Code	Part Description	Quantity	Carton
01	S200-207-001-ZF1-01	Left Panel (Chest Drawers)	1	2/2
02	S200-207-001-ZF1-02	Back Bottom Panel (Drawers)	1	2/2
03	S200-207-001-ZF1-03	Front Bottom Panel (Drawers)	1	2/2
04	S200-207-001-ZF1-04	Top Panel (Chest Drawers)	1	2/2
05	S200-207-001-ZF1-05	Back Panel (Chest Drawers)	1	2/2
06	S200-207-001-ZF1-06	Right Panel (Chest Drawers)	1	2/2
07	S200-207-001-ZF1-07	Back Panel (Drawer)	2	2/2
08	S200-207-001-ZF1-08	Left Panel (Drawer)	2	2/2
09	S200-207-001-ZF1-09	Right Panel (Drawer)	2	2/2
10	S200-207-001-ZF1-10	Bottom Panel (Drawer)	2	2/2
11	S200-207-001-ZF1-11	Front Panel (Drawer)	2	2/2
12	S200-207-001-ZF1-12	Back Panel (Storage)	2	1/2
13	S200-207-001-ZF1-13	Left Panel (Storage)	2	2/2
14	S200-207-001-ZF1-14	Right Panel (Storage)	2	2/2
15	S200-207-001-ZF1-15	Bottom Panel (Storage)	2	1/2
16	S200-207-001-ZF1-16	Bottom Support Panel (Storage)	4	2/2
17	S200-207-001-ZF1-17	Front Panel (Storage)	2	2/2
18	S200-207-001-ZF1-18	Left End Panel	1	1/2
19	S200-207-001-ZF1-19	Back Side Panel	1	2/2
20	S200-207-001-ZF1-20	Front Side Panel	1	2/2
21	S200-207-001-ZF1-21	Centre Rail	1	2/2
22	S200-207-001-ZF1-22	Centre Leg Panel	1	2/2
23	S200-207-001-ZF1-23	Right End Panel	1	1/2
24	S200-207-001-ZF1-24	Bed Base Panel (Large)	4	1/2
25	S200-207-001-ZF1-25	Bed Base Panel (Small)	1	1/2



HARDWARE LIST

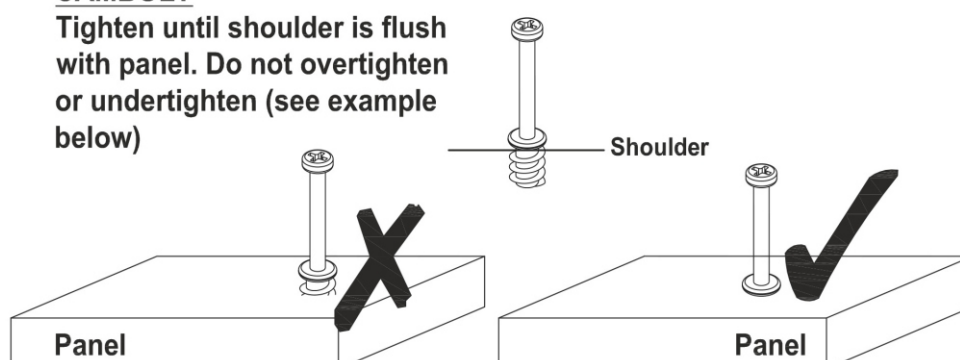
No.	Part Name		Qty	Carton
A	Cam		14	1/2
B	Cam Stud		14	1/2
C	M8 x 25mm Dowel		52	1/2
D	M6 x 40mm Unitar Screw		28	1/2
E	38mm Chipboard Screw		16	1/2
F	14mm Chipboard Screw		44	1/2
G	14" Drawer Slide		2 SET	1/2
H	40mm White Nylon Caster		8	1/2
J	6/8 L Bracket		2	1/2
K	M6 x 13mm Baller		8	1/2
L	M6 x 55mm JCBC Unitar		8	1/2
M	M6 x 25mm Allen Bolt		1	1/2
N	M6 x 15mm JCN Nut		1	1/2
P	M6 Allen Wrench		2	1/2

TIPS FOR FITTING CAM-LOCKS



CAMBOLT

Tighten until shoulder is flush with panel. Do not overtighten or undertighten (see example below)



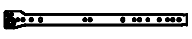
STEP 1

PARTS REQUIRED

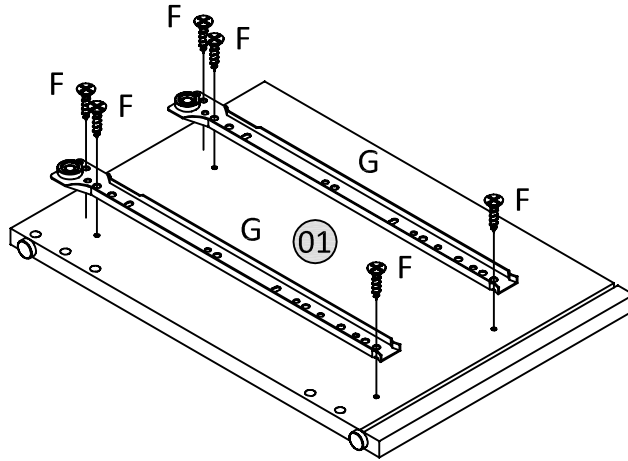
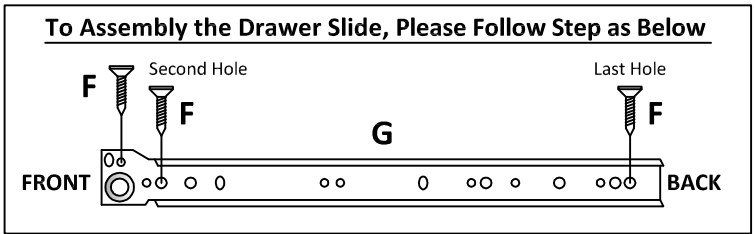
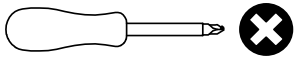
01- LEFT PANEL (CHEST DRAWER) x1

HARDWARE REQUIRED

F  06

G  02

TOOLS REQUIRED




STEP 2

PARTS REQUIRED

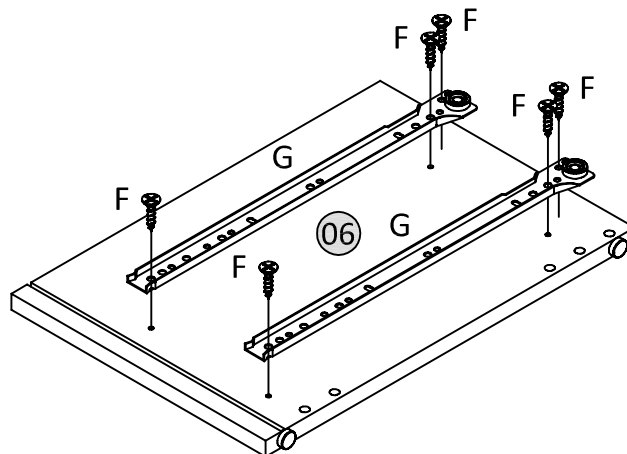
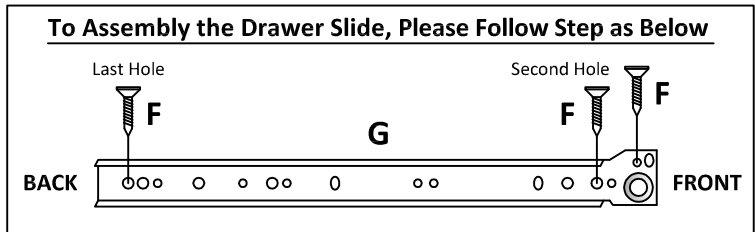
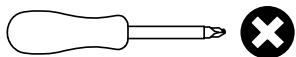
06- RIGHT PANEL (CHEST DRAWER) x1

HARDWARE REQUIRED

F  06

G  02

TOOLS REQUIRED

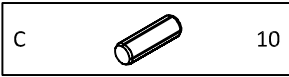


STEP 3

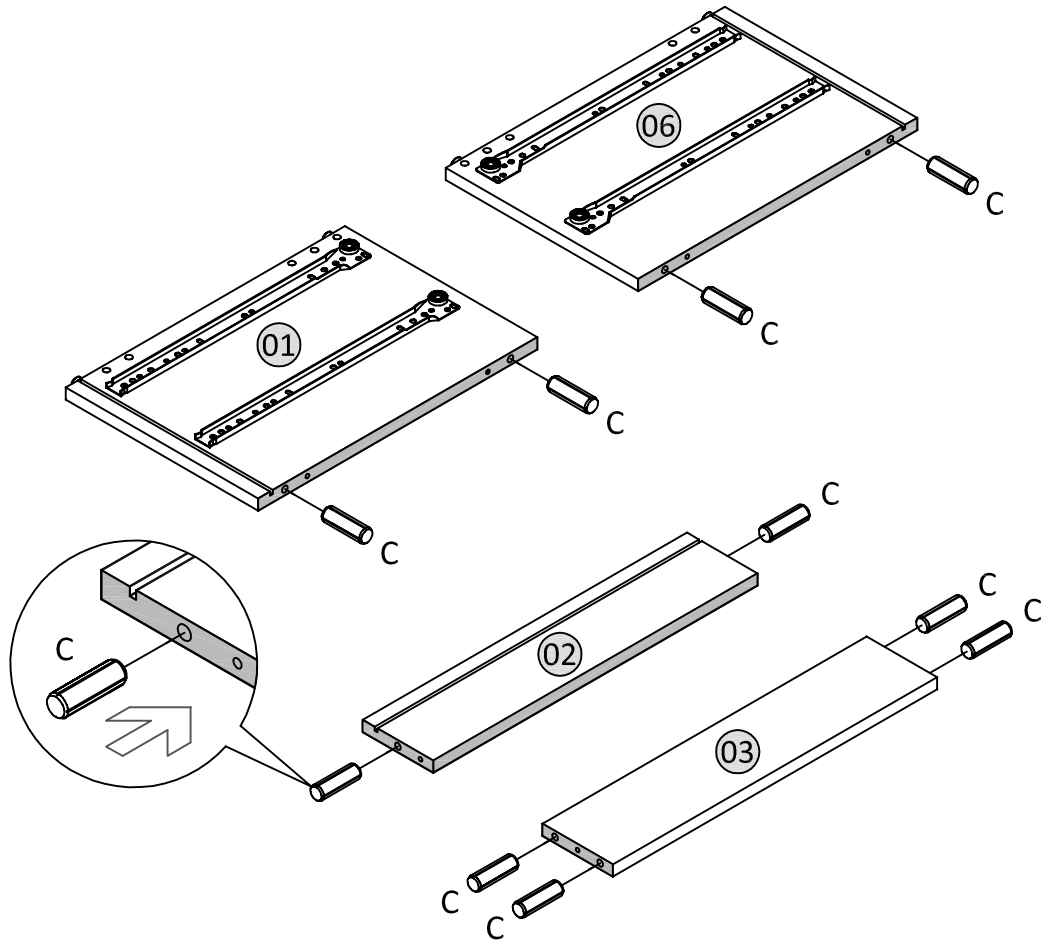
PARTS REQUIRED

- 01- LEFT PANEL (CHEST DRAWER) x1
- 02- BACK BOTTOM PANEL (DRAWERS) x1
- 03- FRONT BOTTOM PANEL (DRAWERS) x1
- 06- RIGHT PANEL (CHEST DRAWER) x1

HARDWARE REQUIRED



TOOLS REQUIRED

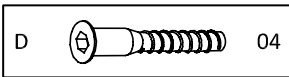


STEP 4

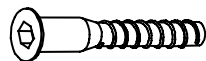
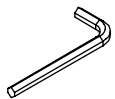
PARTS REQUIRED

- 01- LEFT PANEL (CHEST DRAWER) x1
- 02- BACK BOTTOM PANEL (DRAWERS) x1
- 03- FRONT BOTTOM PANEL (DRAWERS) x1
- 06- RIGHT PANEL (CHEST DRAWER) x1

HARDWARE REQUIRED



TOOLS REQUIRED



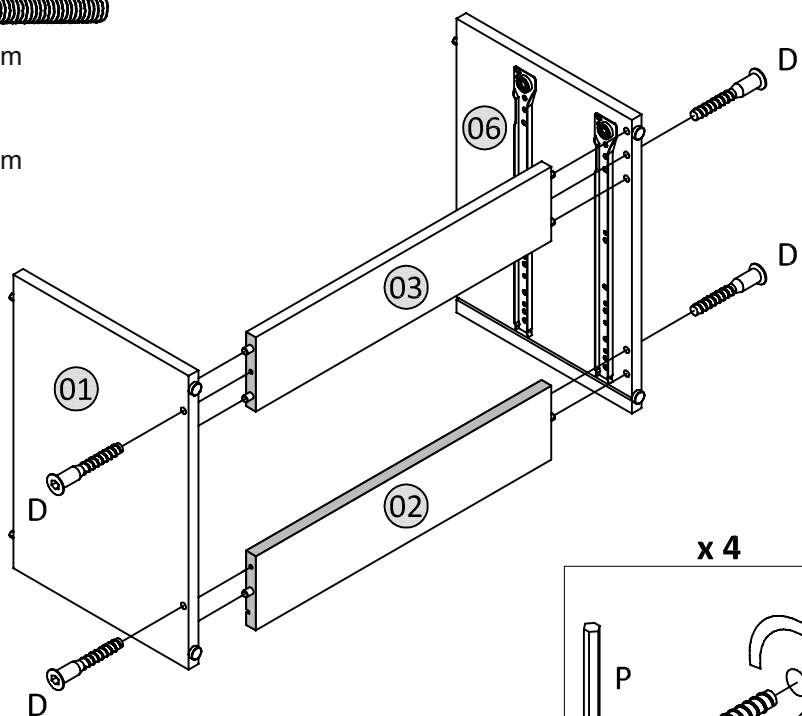
M6x40mm



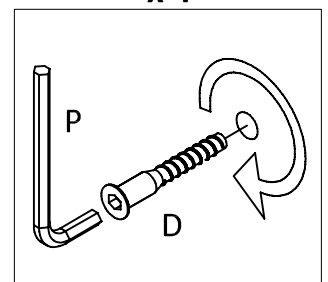
M6x55mm



M6x25mm



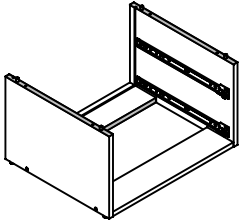
x 4



STEP 5

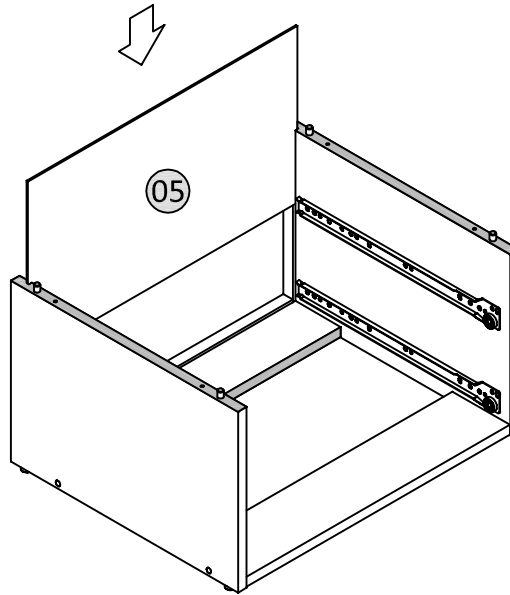
PARTS REQUIRED

05- BACK PANEL (CHEST DRAWER) x1



HARDWARE REQUIRED

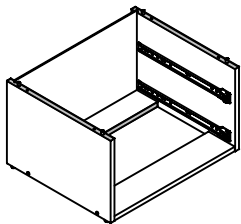
TOOLS REQUIRED



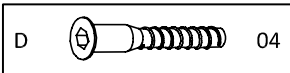
STEP 6

PARTS REQUIRED

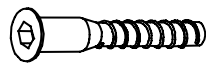
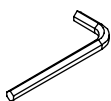
04- TOP PANEL (CHEST DRAWER) x1



HARDWARE REQUIRED



TOOLS REQUIRED



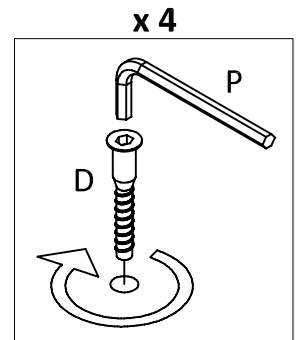
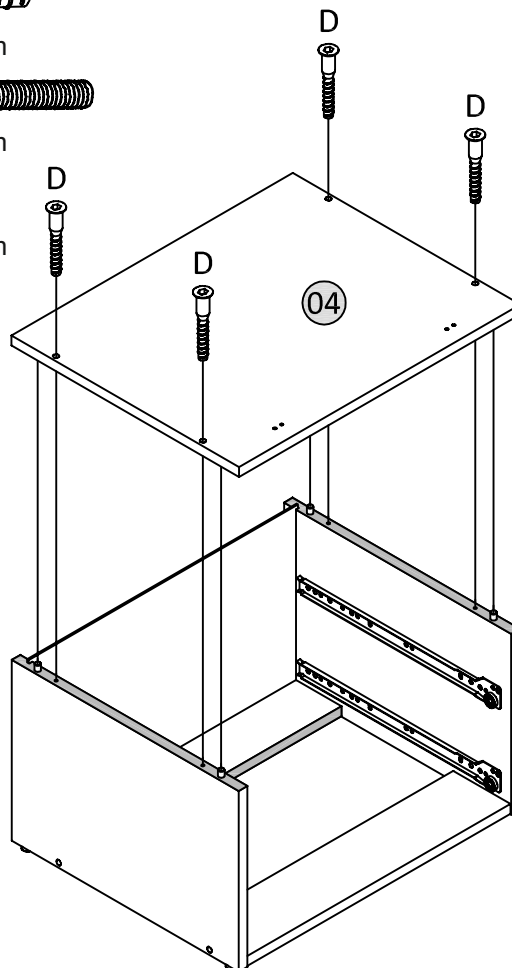
M6x40mm



M6x55mm



M6x25mm






x 4

STEP 7

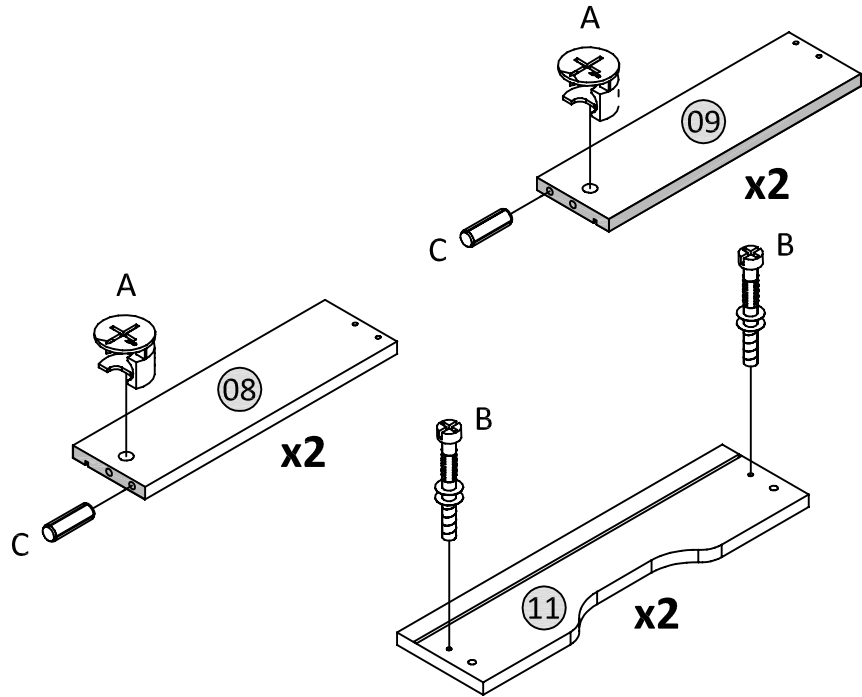
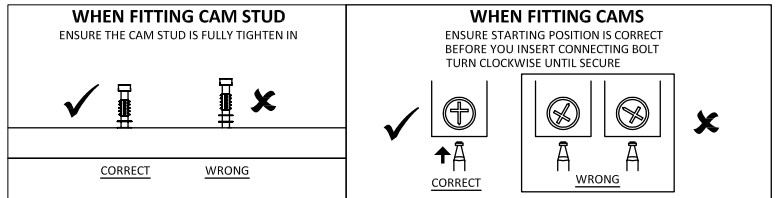
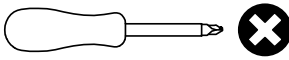
PARTS REQUIRED

- 08- LEFT PANEL (DRAWER) x2
- 09- RIGHT PANEL (DRAWER) x2
- 11- FRONT PANEL (DRAWER) x2

HARDWARE REQUIRED

- A  04
- B  04
- C  04

TOOLS REQUIRED




STEP 8

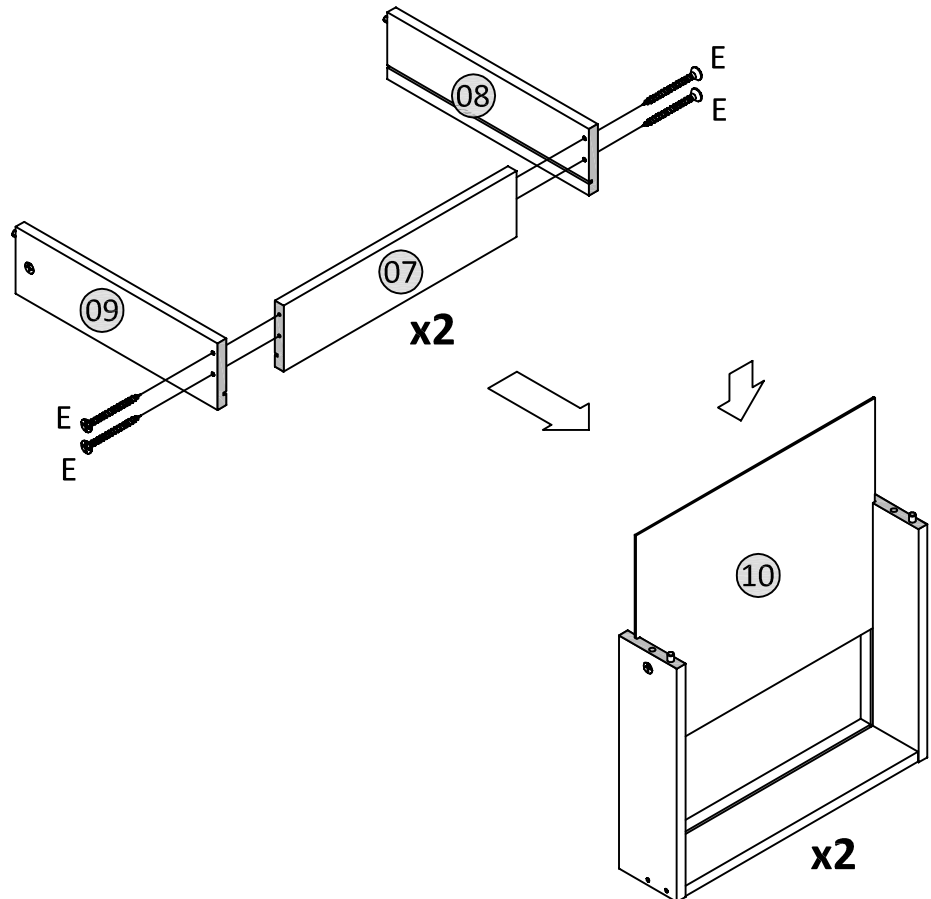
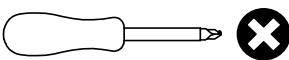
PARTS REQUIRED

- 07- BACK PANEL (DRAWER) x2
- 08- LEFT PANEL (DRAWER) x2
- 09- RIGHT PANEL (DRAWER) x2
- 10- BOTTOM PANEL (DRAWER) x2

HARDWARE REQUIRED

- E  08

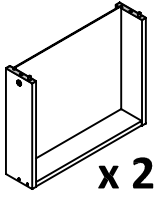
TOOLS REQUIRED



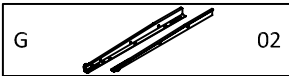
STEP 9

PARTS REQUIRED

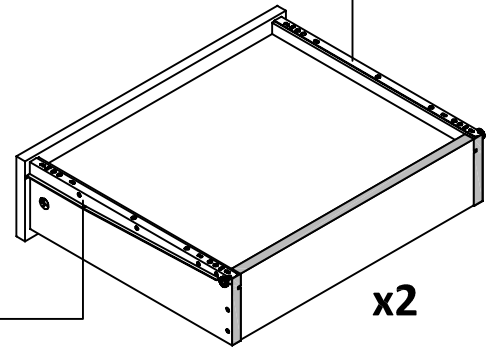
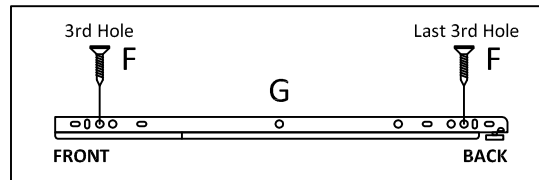
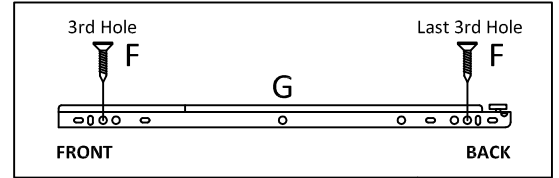
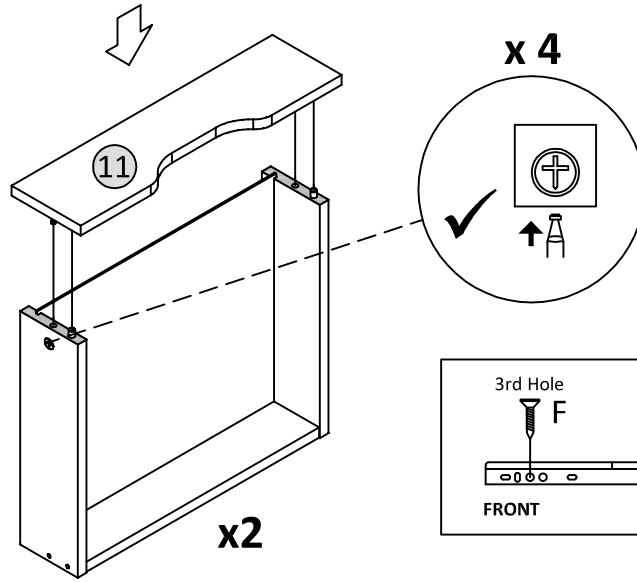
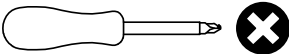
11- FRONT PANEL (DRAWER) x2



HARDWARE REQUIRED

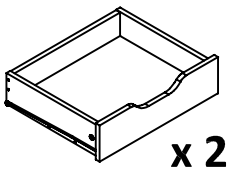
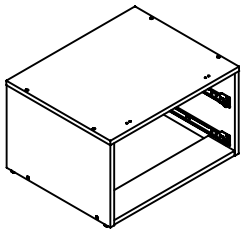


TOOLS REQUIRED



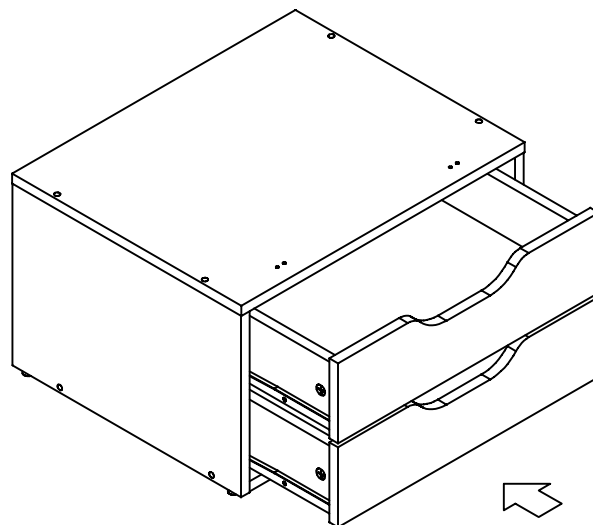
STEP 10

PARTS REQUIRED



HARDWARE REQUIRED

TOOLS REQUIRED



STEP 11

PARTS REQUIRED

12- BACK PANEL (STORAGE) x2


13- LEFT PANEL (STORAGE) x2

14- RIGHT PANEL (STORAGE) x2

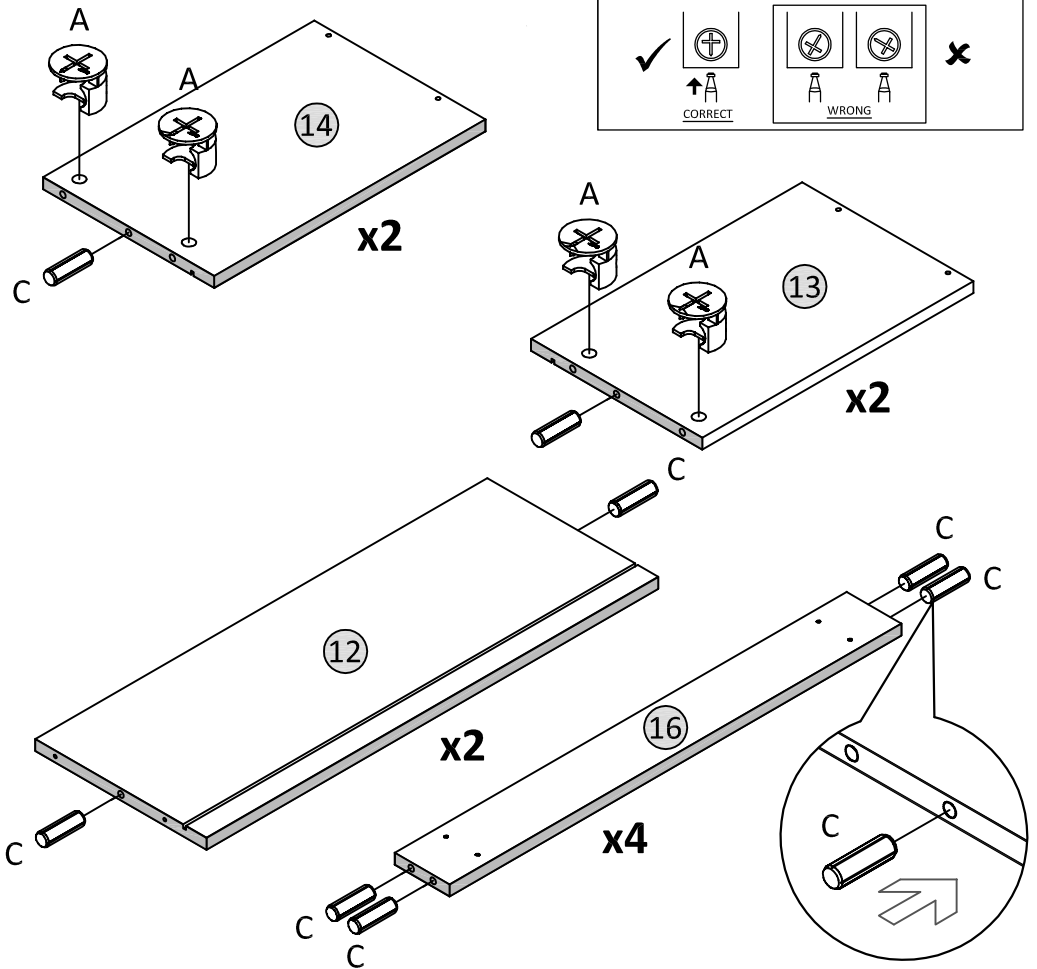
16- SUPPORT PANEL (STORAGE) x4

HARDWARE REQUIRED

A  08

C  24

TOOLS REQUIRED



STEP 12

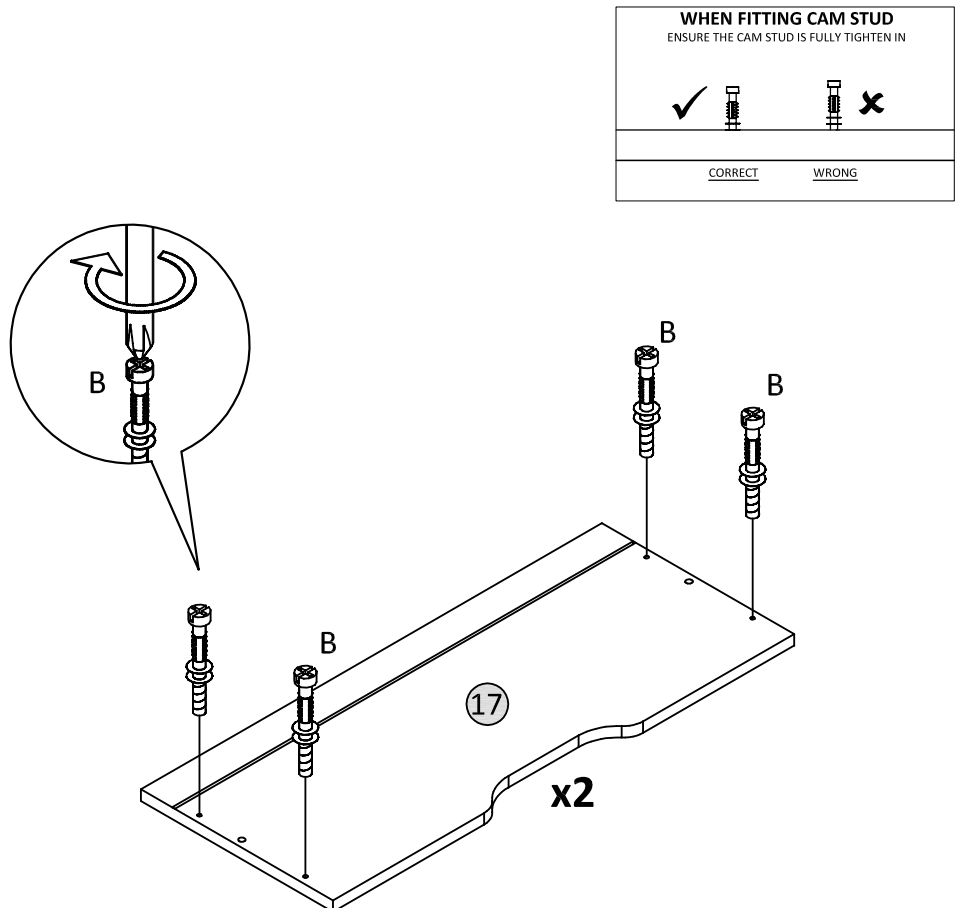
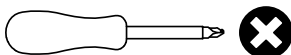
PARTS REQUIRED

17- FRONT PANEL (STORAGE) x2

HARDWARE REQUIRED

B  08

TOOLS REQUIRED



STEP 13

PARTS REQUIRED

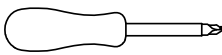

16-BOTTOM SUPPORT PANEL (STORAGE) x4

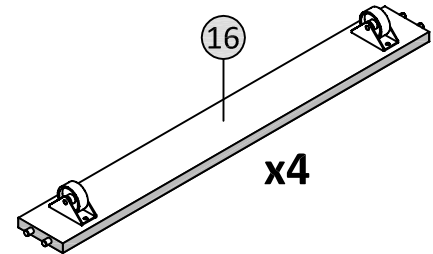
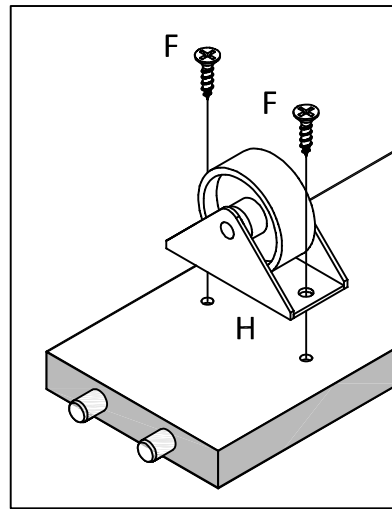
HARDWARE REQUIRED

F  16

H  08

TOOLS REQUIRED



STEP 14

PARTS REQUIRED


12- BACK PANEL (STORAGE) x2

13- LEFT PANEL (STORAGE) x2

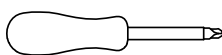

14- RIGHT PANEL (STORAGE) x2

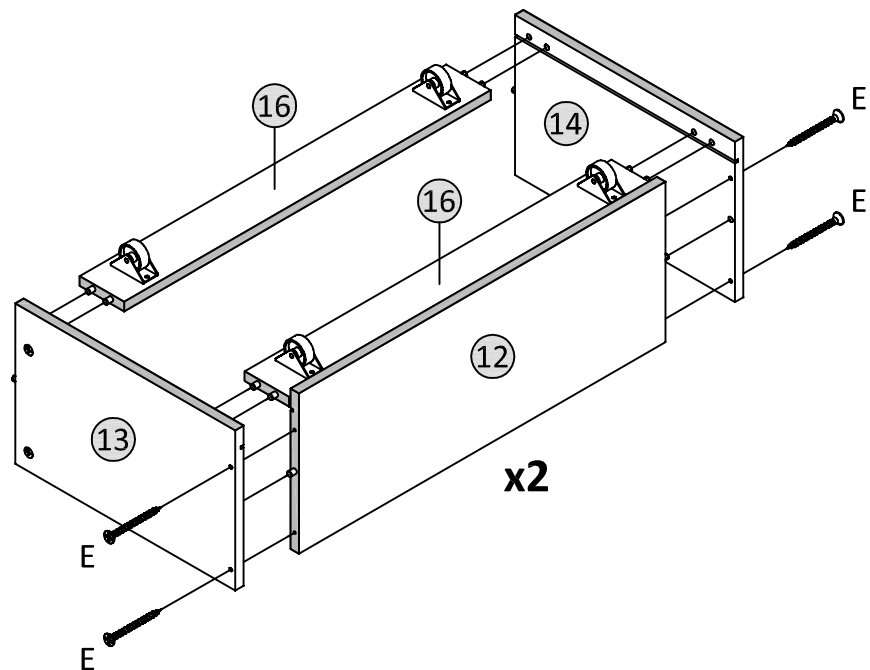
16- SUPPORT PANEL (STORAGE) x4

HARDWARE REQUIRED

E  08

TOOLS REQUIRED

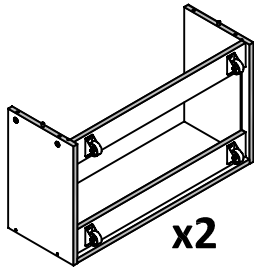
 



STEP 15

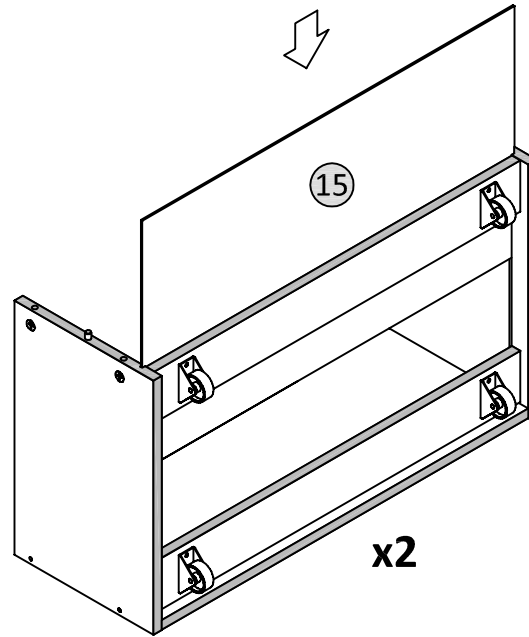
PARTS REQUIRED

15- BOTTOM PANEL (STORAGE) x2



HARDWARE REQUIRED

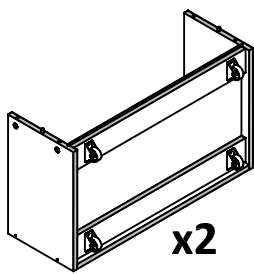
TOOLS REQUIRED



STEP 16

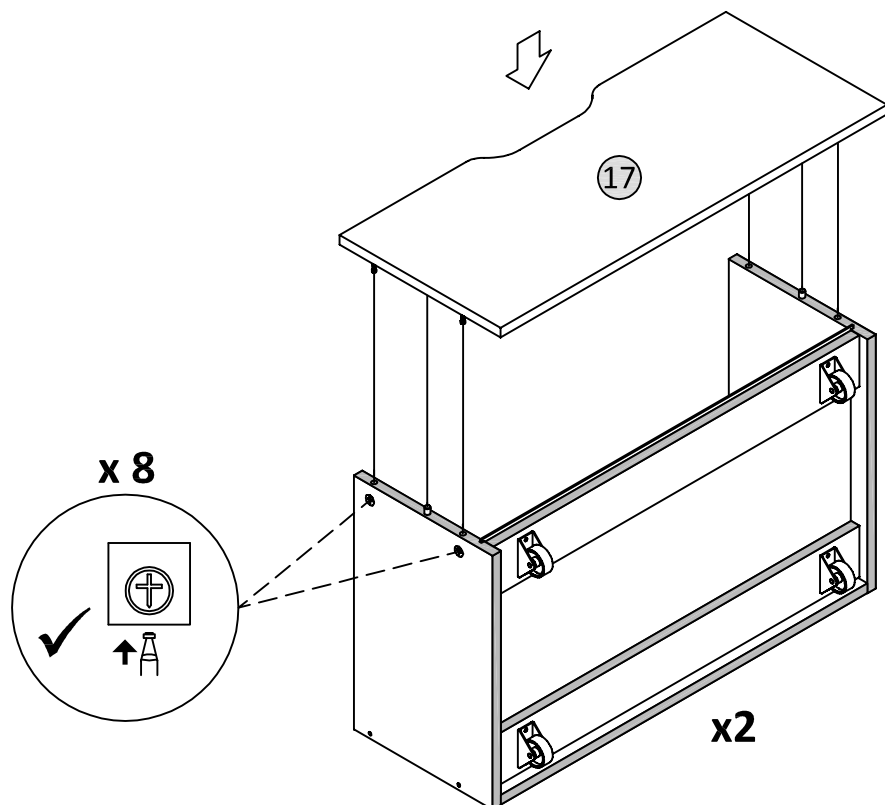
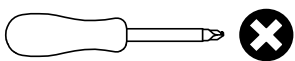
PARTS REQUIRED

17- FRONT PANEL (STORAGE) x2



HARDWARE REQUIRED

TOOLS REQUIRED




STEP 17

PARTS REQUIRED

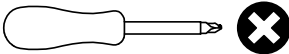
18- LEFT END PANEL x1

23- RIGHT END PANEL x1

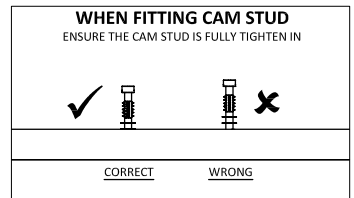
HARDWARE REQUIRED

B  02

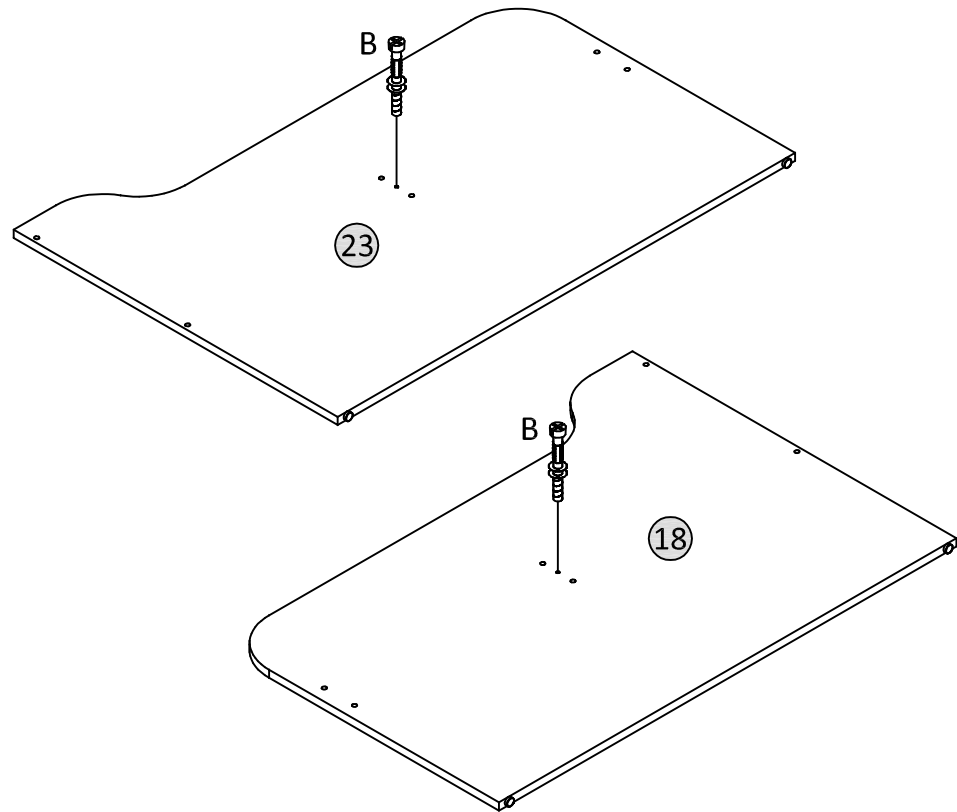
TOOLS REQUIRED



WHEN FITTING CAM STUD
ENSURE THE CAM STUD IS FULLY TIGHTEN IN



CORRECT WRONG



STEP 18

PARTS REQUIRED


21- CENTRE RAIL x1

24- BED BASE PANEL (LARGE) x4

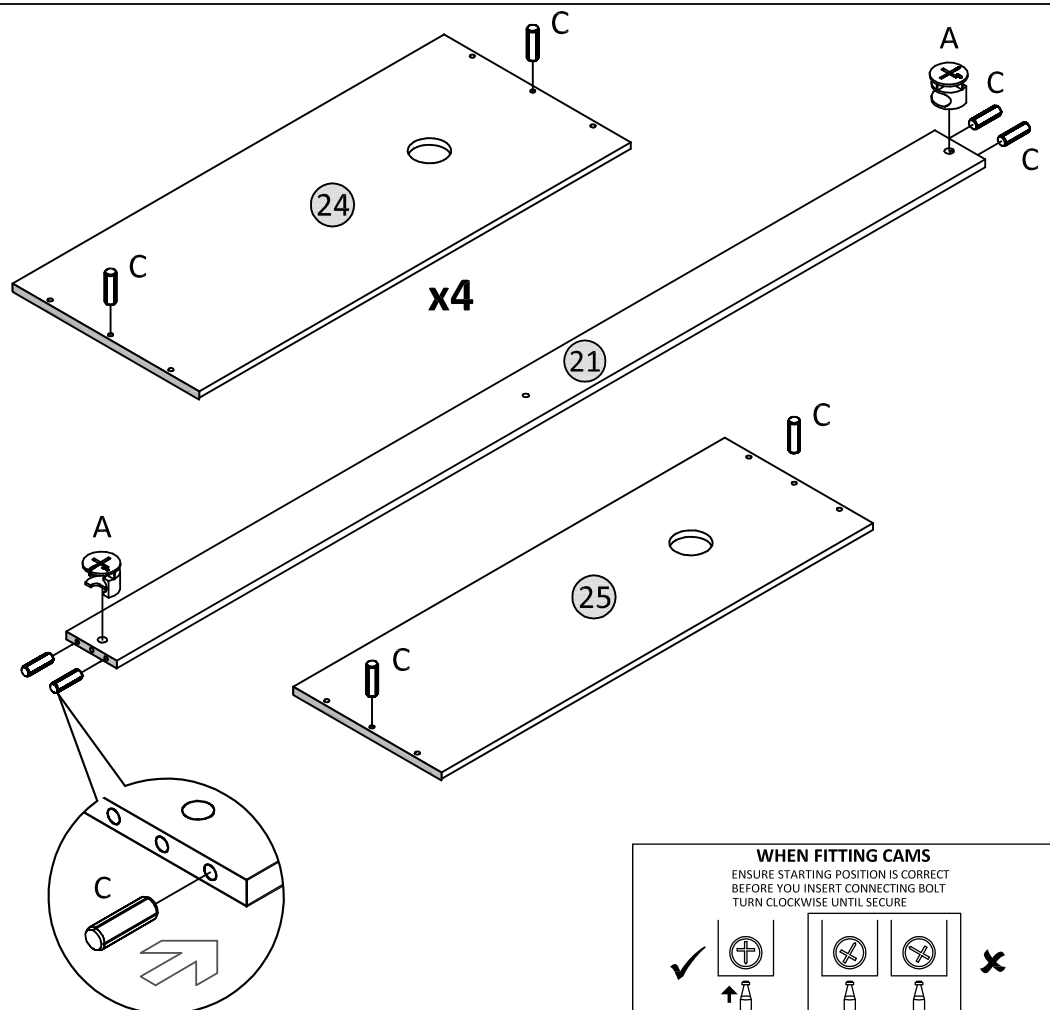
25- BED BASE PANEL (SMALL) x1

HARDWARE REQUIRED

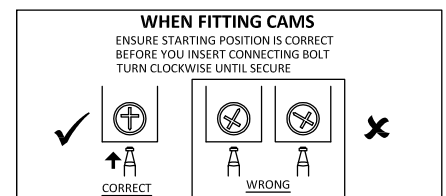
A  02

C  14

TOOLS REQUIRED



WHEN FITTING CAMS
ENSURE STARTING POSITION IS CORRECT
BEFORE YOU INSERT CONNECTING BOLT
TURN CLOCKWISE UNTIL SECURE



CORRECT WRONG

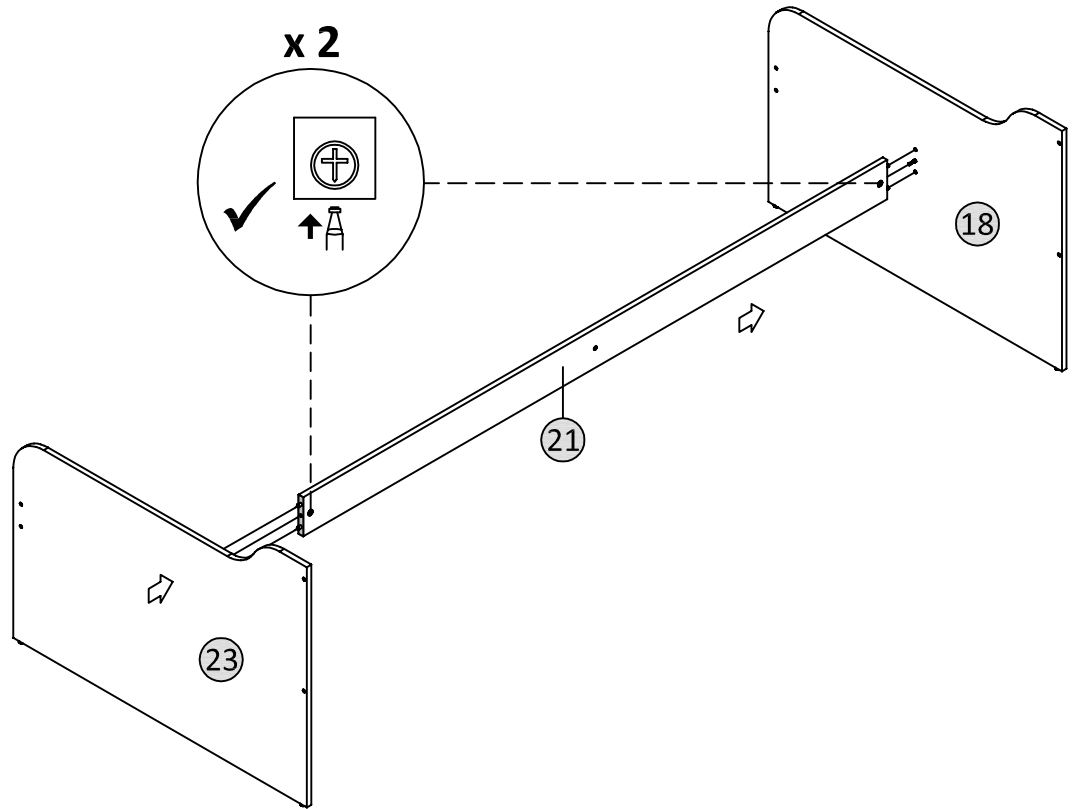
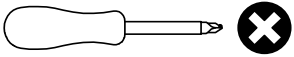
STEP 19

PARTS REQUIRED

18- LEFT END PANEL	x1
21- CENTRE RAIL	x1
23- RIGHT END PANEL	x1

HARDWARE REQUIRED

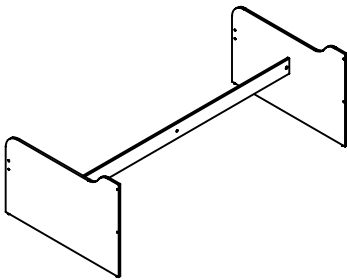
TOOLS REQUIRED



STEP 20

PARTS REQUIRED

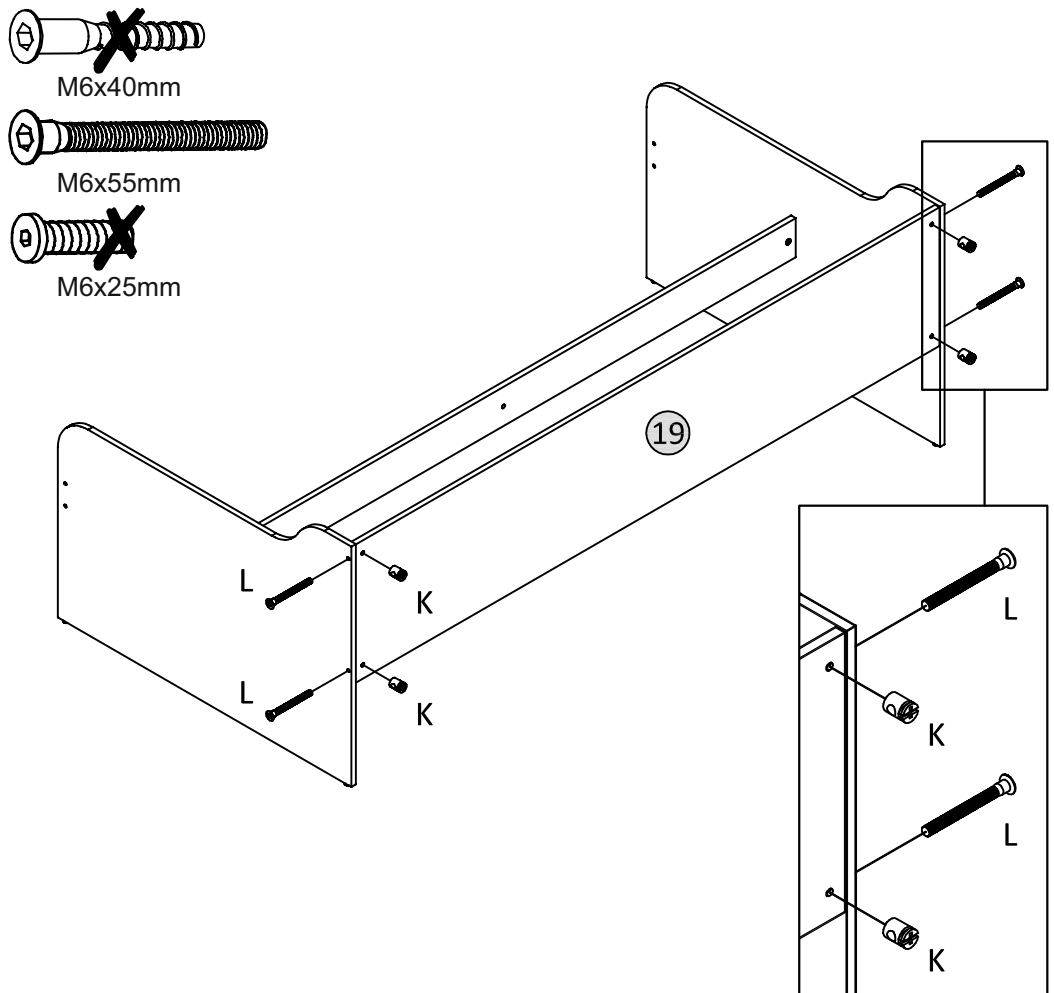
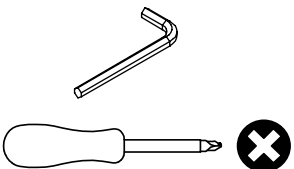
19- BACK SIDE PANEL	x1
---------------------	----



HARDWARE REQUIRED

K		04
L		04

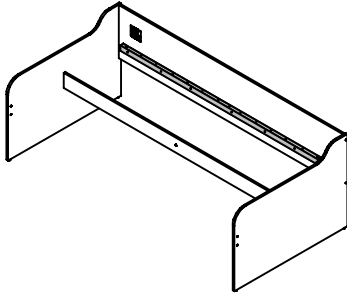
TOOLS REQUIRED



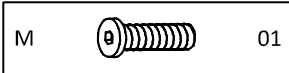
STEP 21

PARTS REQUIRED

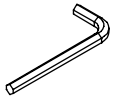
22- CENTRE LEG PANEL x1



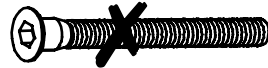
HARDWARE REQUIRED



TOOLS REQUIRED



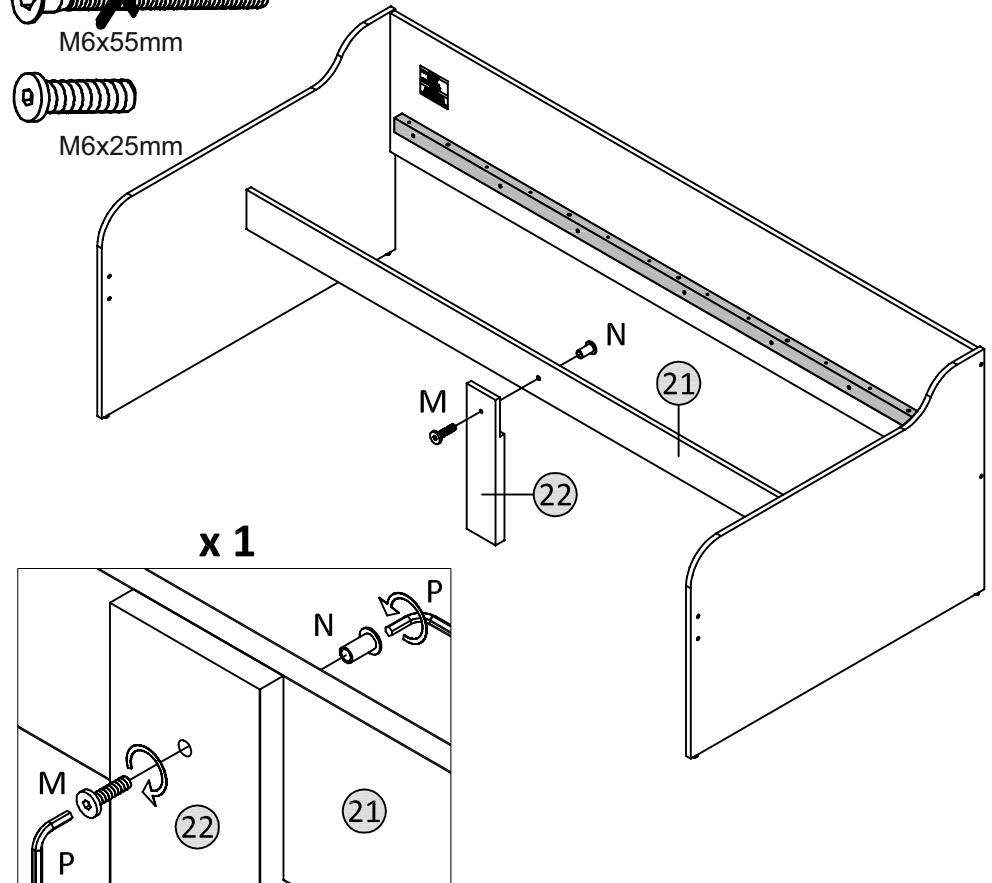
M6x40mm



M6x55mm



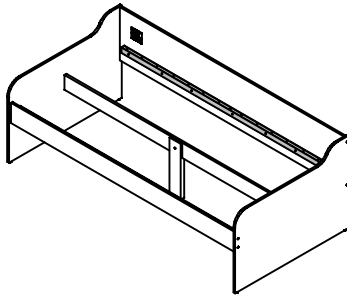
M6x25mm



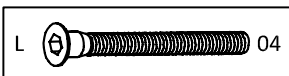
STEP 22

PARTS REQUIRED

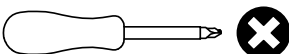
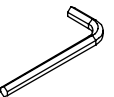
20- FRONT SIDE PANEL x1



HARDWARE REQUIRED



TOOLS REQUIRED



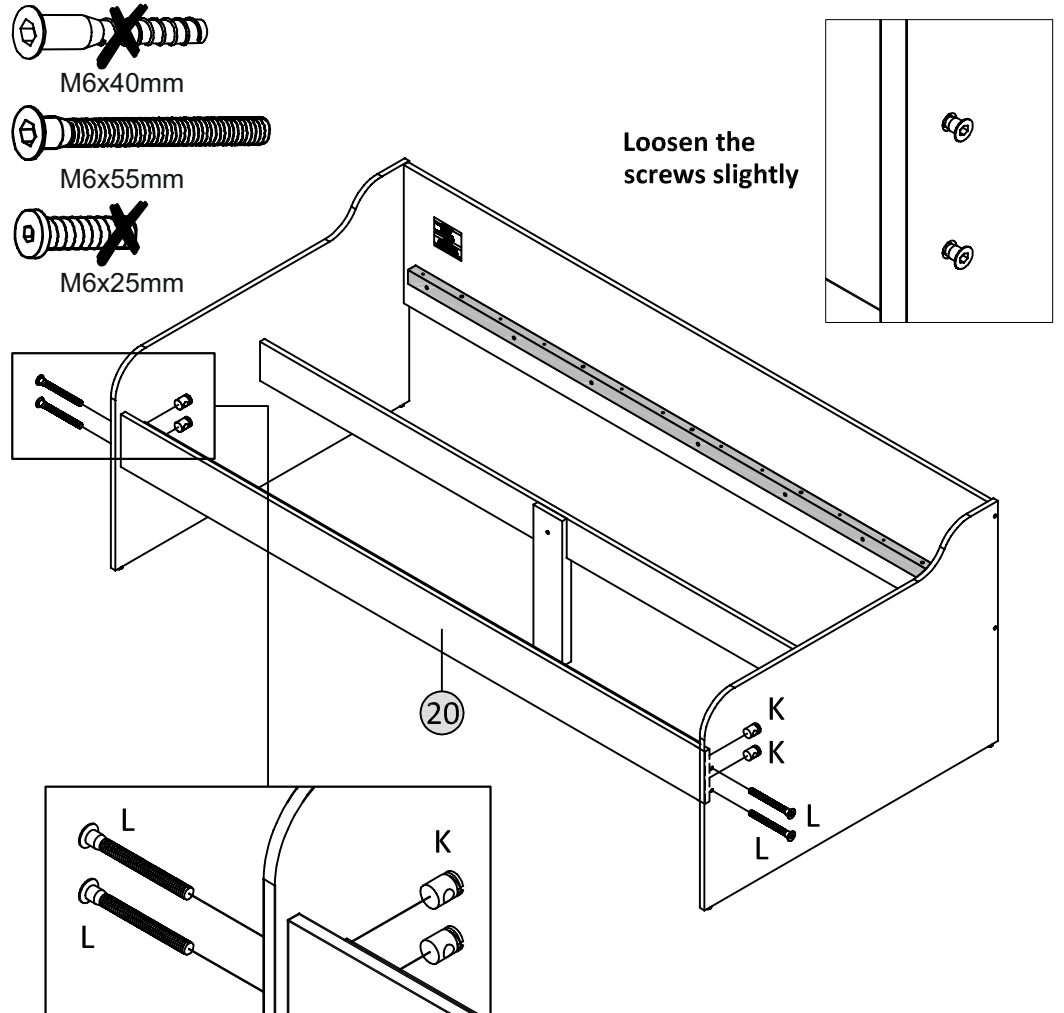
M6x40mm



M6x55mm

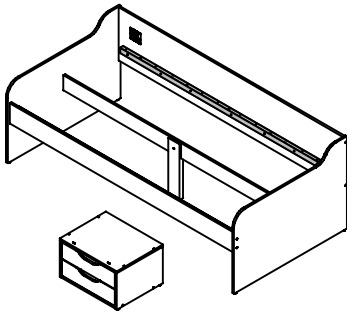


M6x25mm



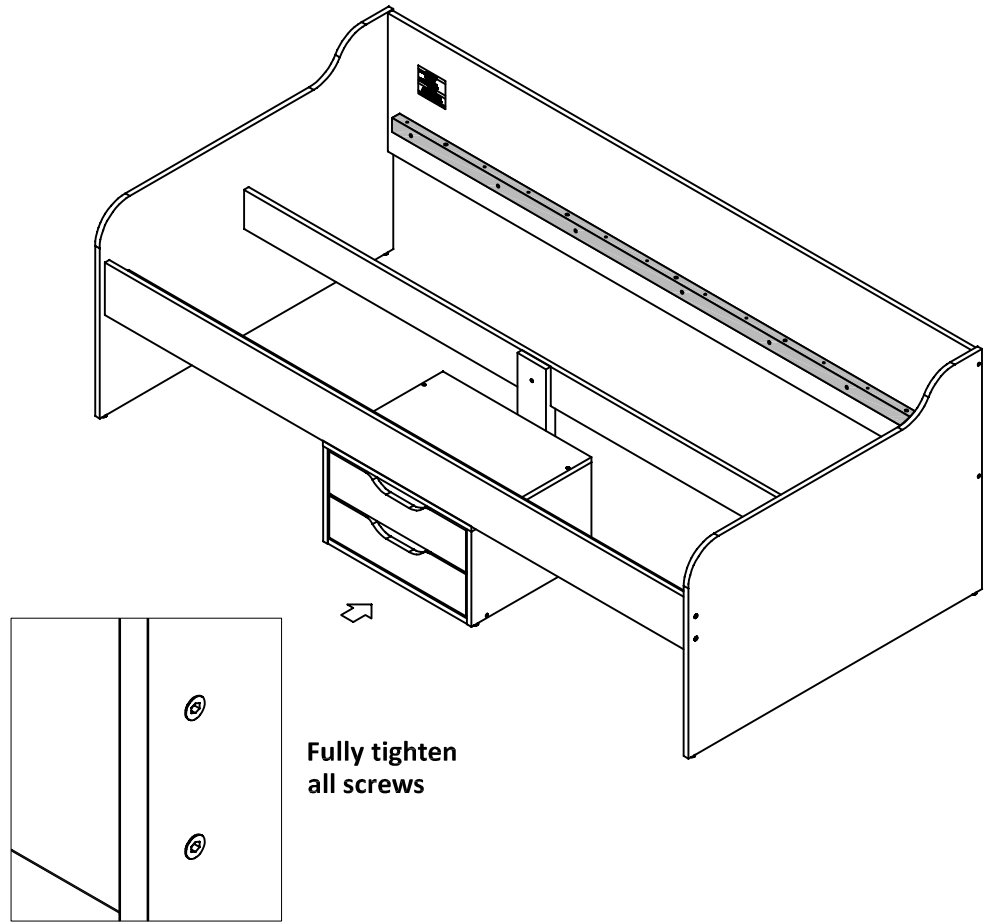
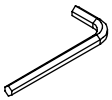
STEP 23

PARTS REQUIRED



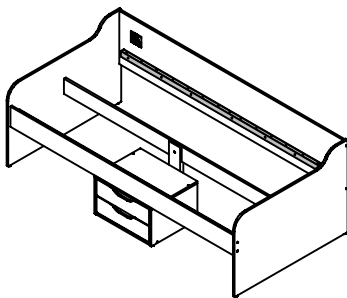
HARDWARE REQUIRED

TOOLS REQUIRED

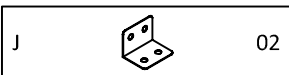


STEP 24

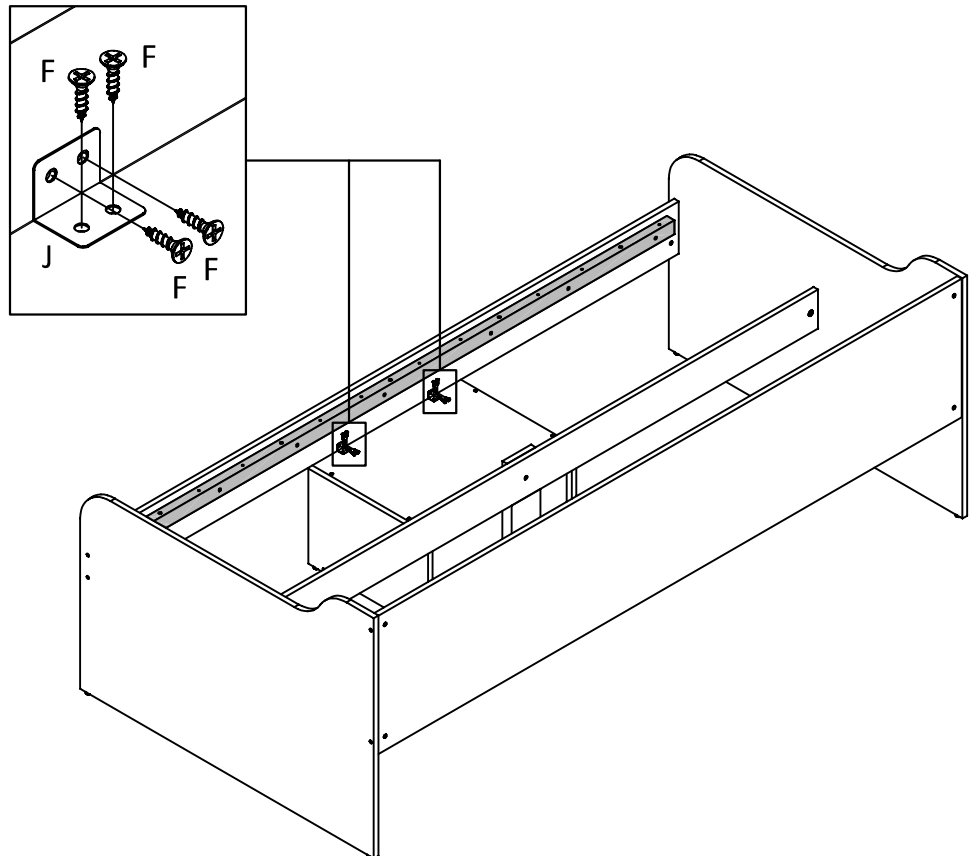
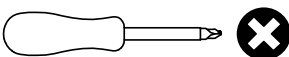
PARTS REQUIRED



HARDWARE REQUIRED



TOOLS REQUIRED

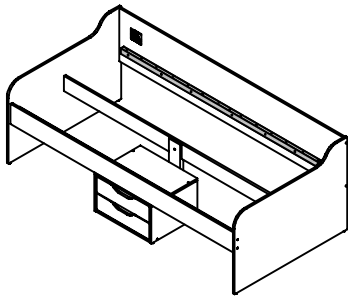


STEP 25

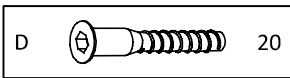
PARTS REQUIRED

24- BED BASE PANEL (LARGE) x4

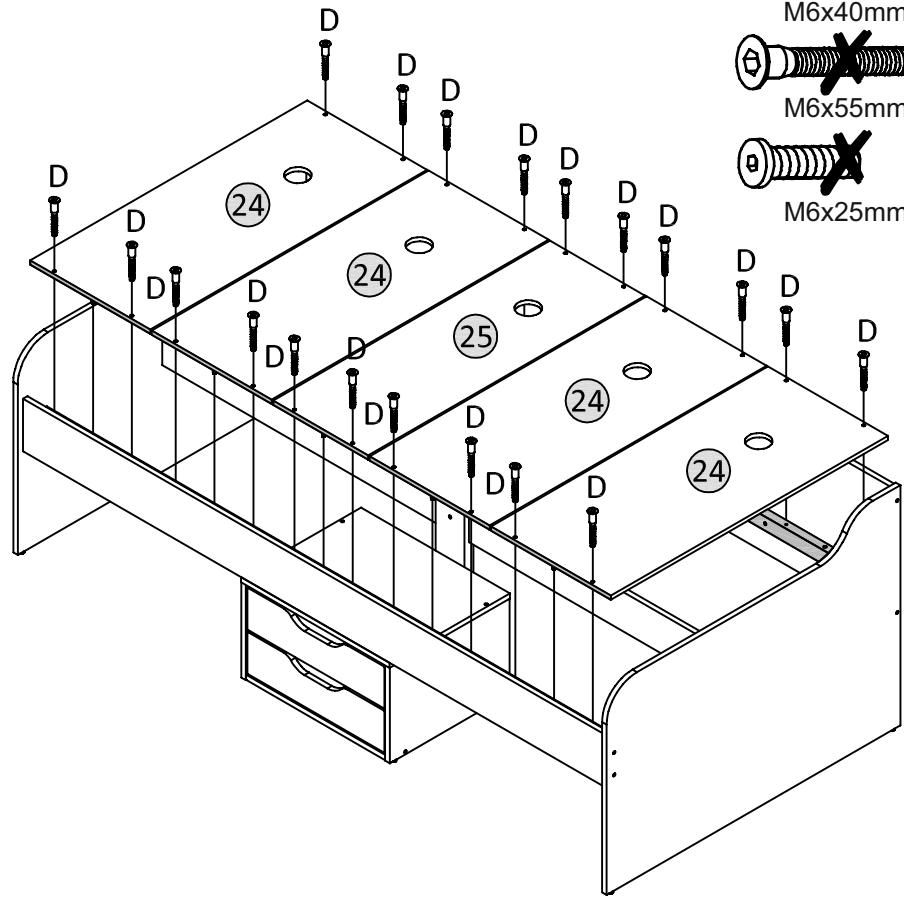
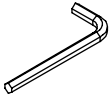
25- BED BASE PANEL (SMALL) x1



HARDWARE REQUIRED

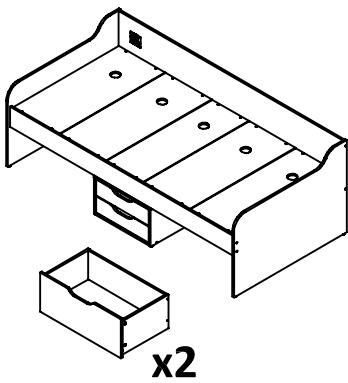


TOOLS REQUIRED



STEP 26

PARTS REQUIRED



HARDWARE REQUIRED

TOOLS REQUIRED



MAX BED WEIGHT

