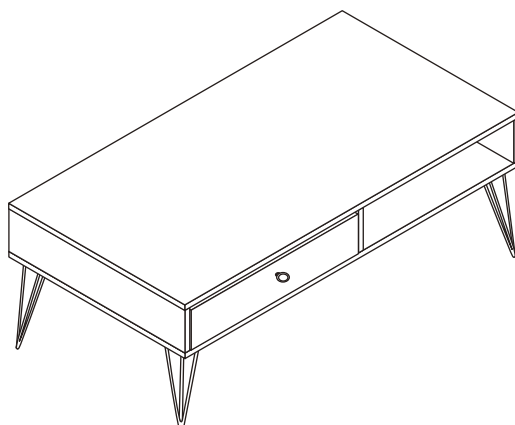


OTTAWA 1 DRAWER COFFEE TABLE ASSEMBLY INSTRUCTIONS



FOR DOMESTIC USE ONLY IMPORTANT

PLEASE READ BEFORE YOU CONTINUE FURTHER

THE PRODUCT YOU HAVE PURCHASED WILL GIVE YOU MANY YEARS OF SERVICE IF YOU FOLLOW THE GUIDELINES FOR ITS SAFE ASSEMBLY AND PERIODIC MAINTENANCE AND CLEANING.

ASSEMBLE ON A SOFT CLEAN SURFACE.

DO NOT USE ANY TOOLS OTHER THAN THOSE SHOWN.

ANY SPANNERS OR ALLEN KEYS REQUIRED ARE INCLUDED WITH THE FITTINGS KIT.

DO NOT FOR ANY REASON USE A POWER TOOL TO ASSEMBLE THIS PRODUCT. ITS USE WILL INVALIDATE ANY CLAIM YOU MAY HAVE AND COULD MAKE THIS PRODUCT UNSAFE.

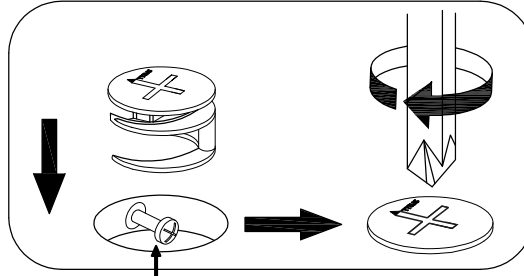
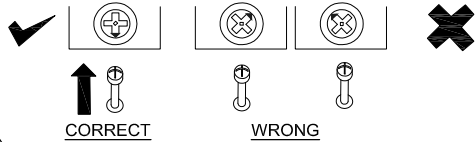
**DEPENDING ON THE AMOUNT OF USE THIS PRODUCT RECEIVES IT MAY BE NECESSARY TO TIGHTEN UP THE FIXINGS FROM TIME TO TIME. THIS IS COMPLETELY NORMAL FOR ANY FLAT PACK FURNITURE.
DO NOT OVERTIGHTEN FIXINGS.**

FOR CLEANING, YOU MAY USE A DAMP CLOTH (NOT WET) DO NOT USE POLISH, DETERGENT OR CHEMICAL CLEANERS.

THE SURFACE OF THIS ITEM IS NOT HEAT RESISTANT. ALWAYS USE A PLACE MAT UNDER HOT OR COLD ITEMS TO PREVENT MARKING.

TIPS FOR FITTING CAM-LOCKS

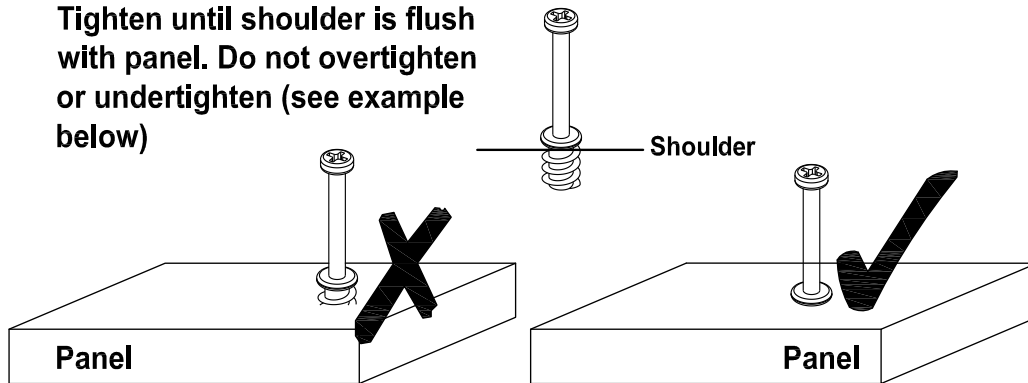
WHEN FITTING CAM-LOCK
ENSURE STARTING POSITION IS CORRECT
BEFORE YOU INSERT CONNECTING CAM BOLT
TURN CLOCKWISE UNTIL SECURE



Cam bolt head needs to be in centre

CAMBOLT

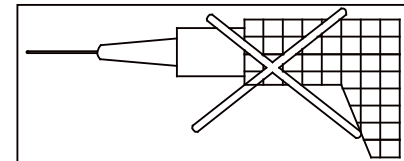
Tighten until shoulder is flush with panel. Do not overtighten or undertighten (see example below)



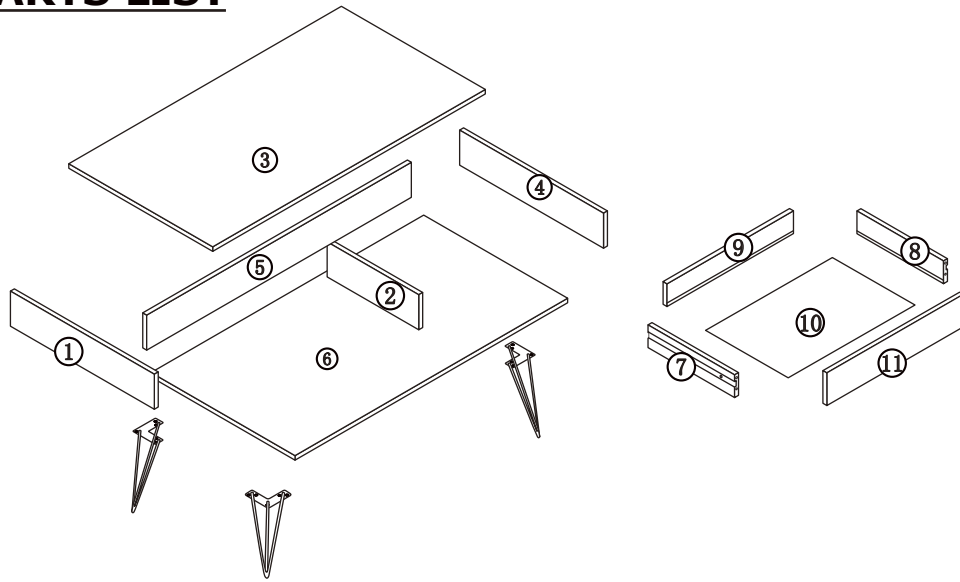
REMOVE

1. Please check that you have all the parts listed before you start assembling. If you do find that something is missing, do not continue assembly. Please contact your supplier immediately.
2. Lay out all of the components on a soft surface as if you were preparing to do a jigsaw puzzle.
3. Separate and identify each component, from the hardware pack and rest each one in its proper location before fastening.

THE USE OF POWER TOOLS TO ASSEMBLE THIS PRODUCT WILL INVALIDATE ANY CLAIM AND MAY DAMAGE THIS PRODUCT MAKING IT UNSAFE



PARTS LIST

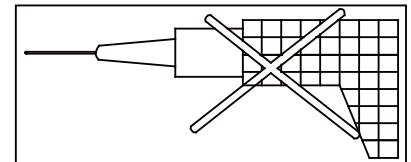


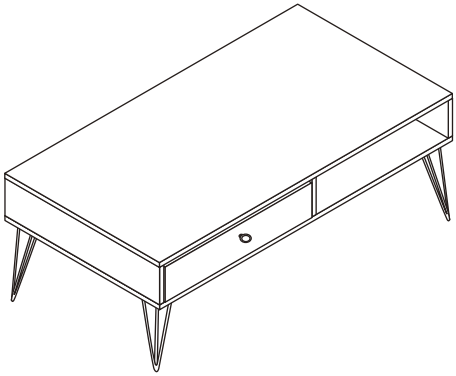
1	LEFT HAND SIDE PANEL	1PC	8	RIGHT HAND SIDE DRAWER PANEL.	1PC
2	MIDDLE VERTICAL PANEL	1PC	9	DRAWER BACK	1PC
3	TOP PANEL	1PC	10	DRAWER BASE	1PC
4	RIGHT HAND SIDE PANEL	1PC	11	DRAWER FRONT	1PC
5	BACK PANEL	1PC			
6	BOTTOM PANEL	1PC			
7	LEFT HAND SIDE DRAWER PANEL.	1PC			

HARDWARE LIST

A		7x39mm CAM BOLT	9 PCS
B		CAM LOCK	9 PCS
C		8x30mm DOWEL	24 PCS
D		5x60mm SCREW	7 PCS
E		3.5x14mm SCREW	6 PCS
F		SCREW	1 PC
G		METAL LEG	4 PCS
H		4x15mm SCREW	2 PCS
I		DRAWER RUNNER	2 PCS
J		4x14mm SCREW	20 PCS
K		5x40mm SCREW	2 PCS

THE USE OF POWER TOOLS TO ASSEMBLE THIS PRODUCT WILL INVALIDATE ANY CLAIM AND MAY DAMAGE THIS PRODUCT MAKING IT UNSAFE

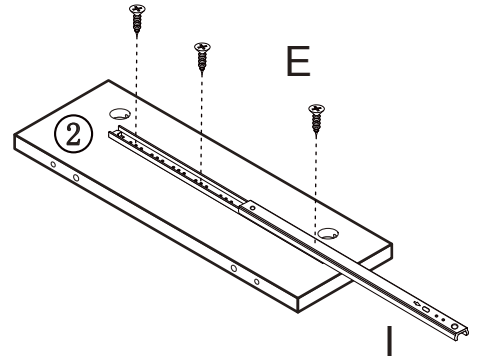
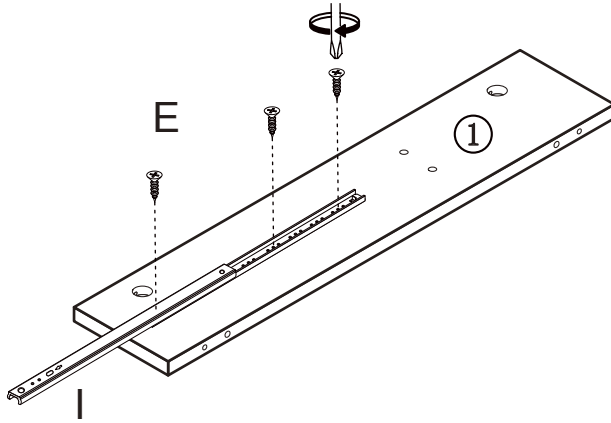




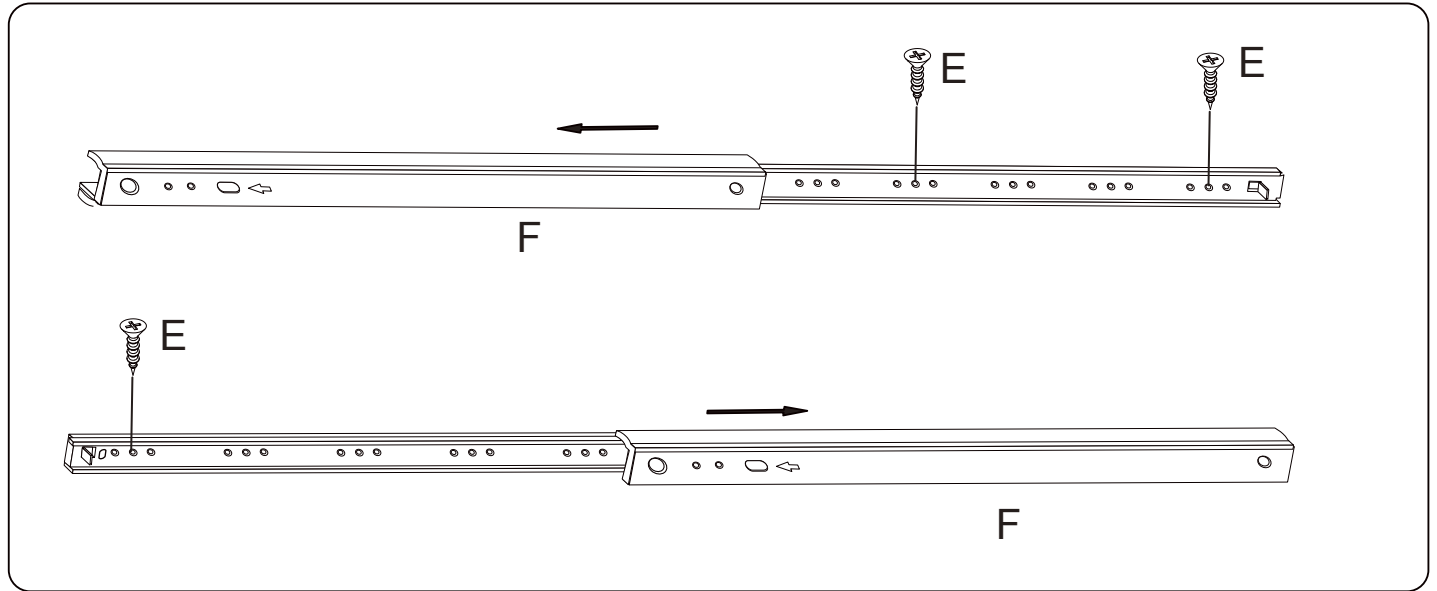
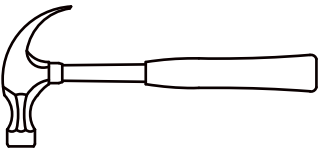
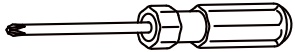
STEP 1

You will need:-

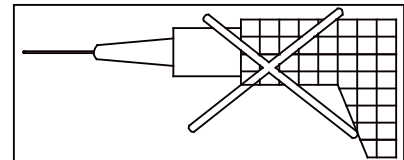
I		2 PCS
E		6 PCS



NOT PROVIDED




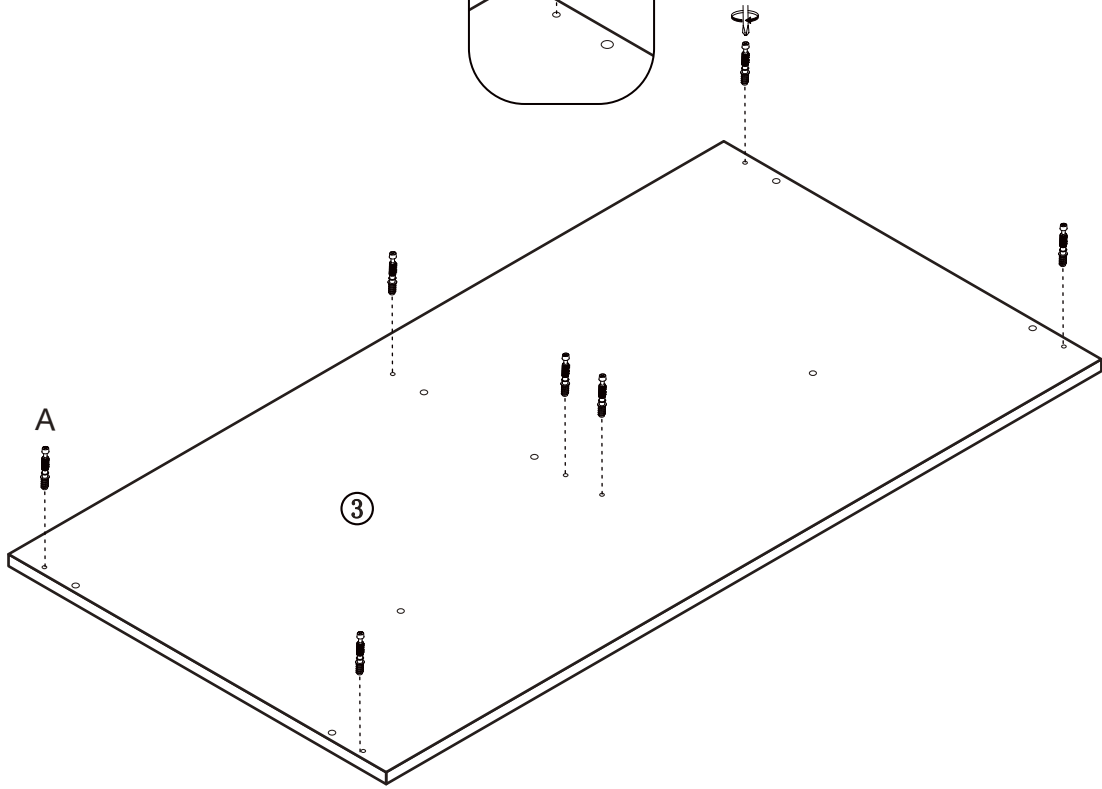
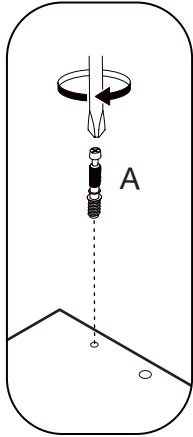
THE USE OF POWER TOOLS TO ASSEMBLE THIS PRODUCT WILL INVALIDATE ANY CLAIM AND MAY DAMAGE THIS PRODUCT MAKING IT UNSAFE



STEP 2


You will need:-

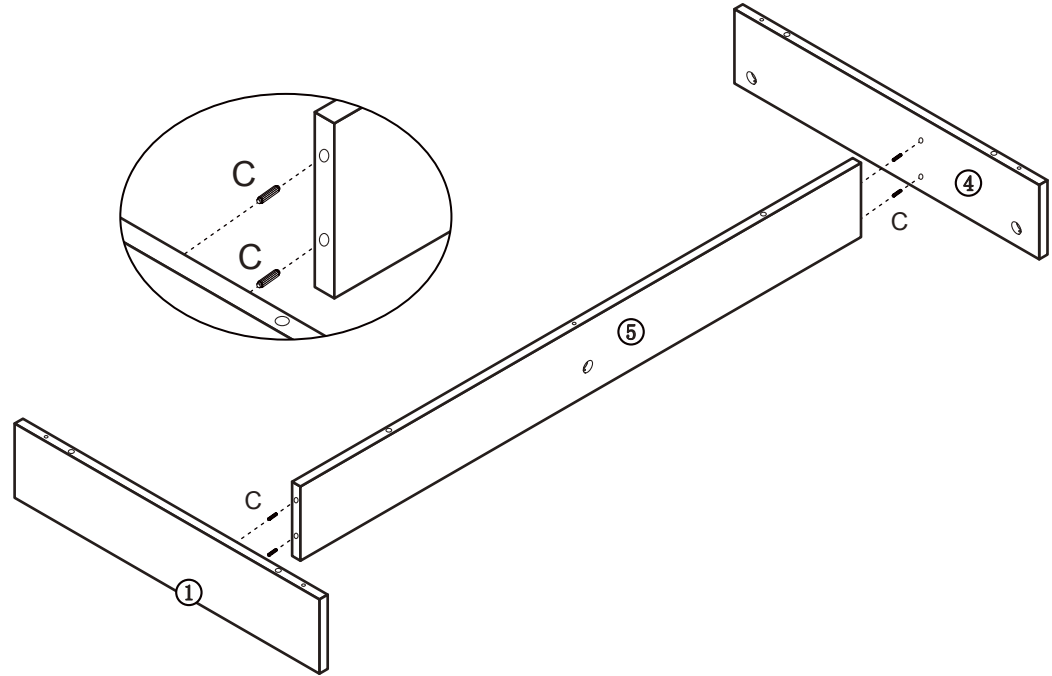
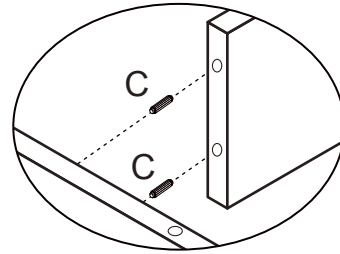
A		7 PCS
---	---	-------



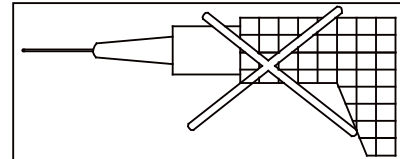
STEP 3

You will need:-

C		4 PCS
---	---	-------





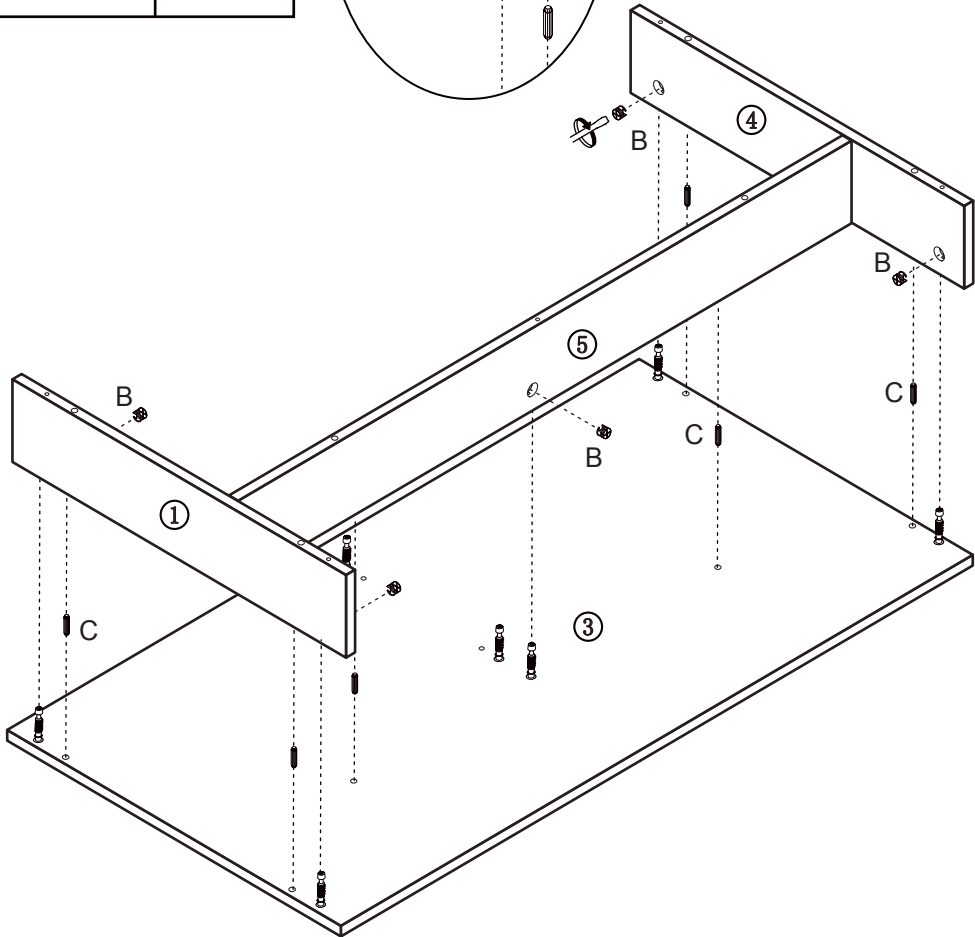
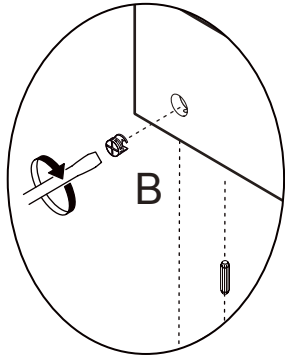
THE USE OF POWER TOOLS TO ASSEMBLE THIS PRODUCT WILL INVALIDATE ANY CLAIM AND MAY DAMAGE THIS PRODUCT MAKING IT UNSAFE



STEP 4



You will need:-

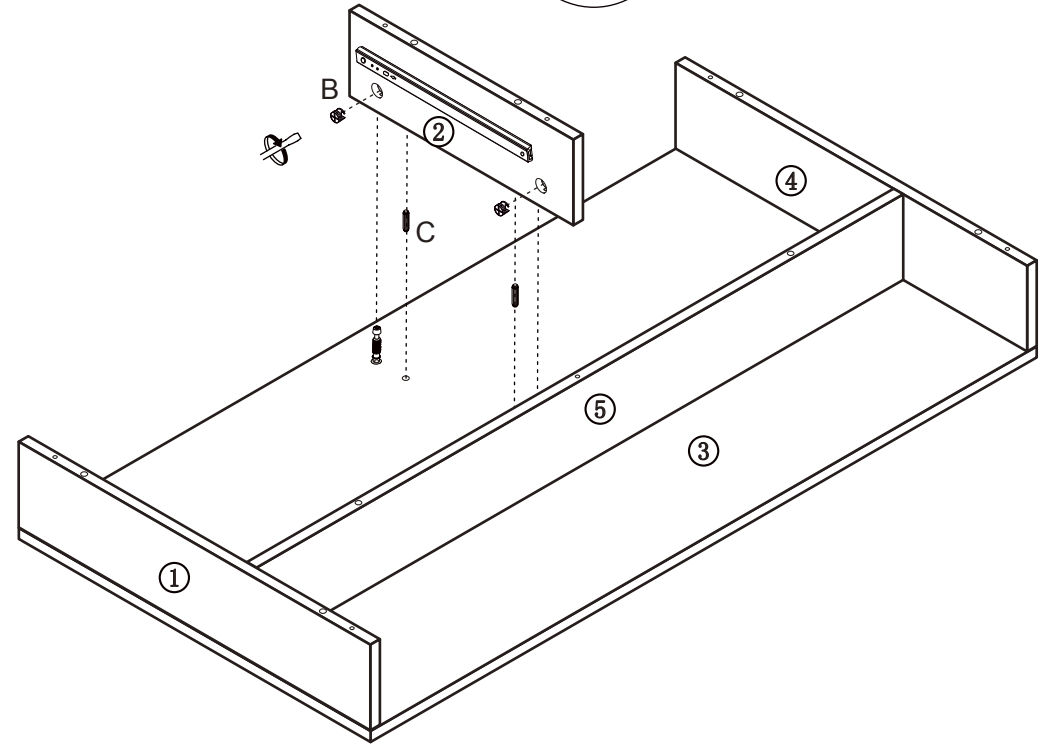
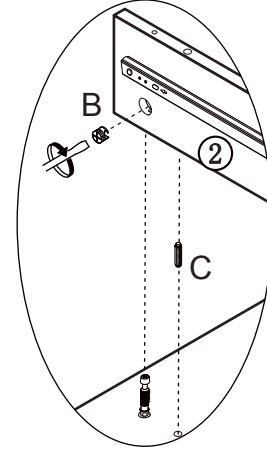
B		5 PCS
C		6 PCS



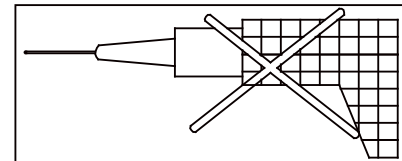
STEP 5

You will need:-

B		2 PCS
C		2 PCS





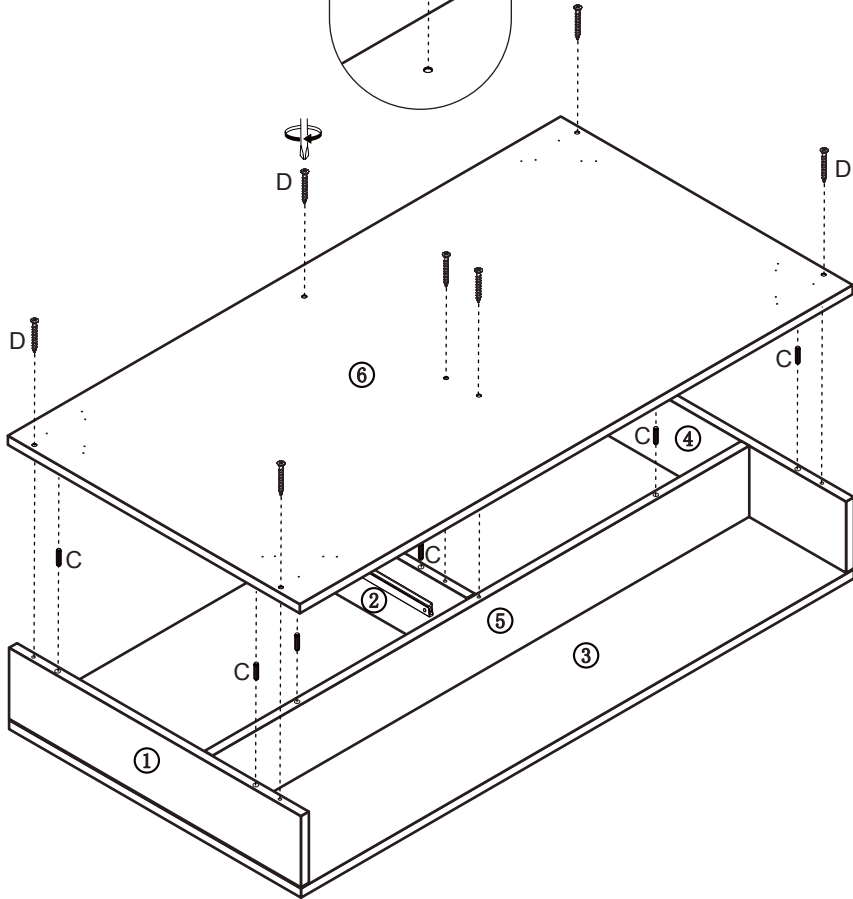
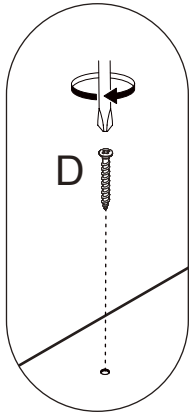
THE USE OF POWER TOOLS TO ASSEMBLE THIS PRODUCT WILL INVALIDATE ANY CLAIM AND MAY DAMAGE THIS PRODUCT MAKING IT UNSAFE



STEP 6



You will need:-

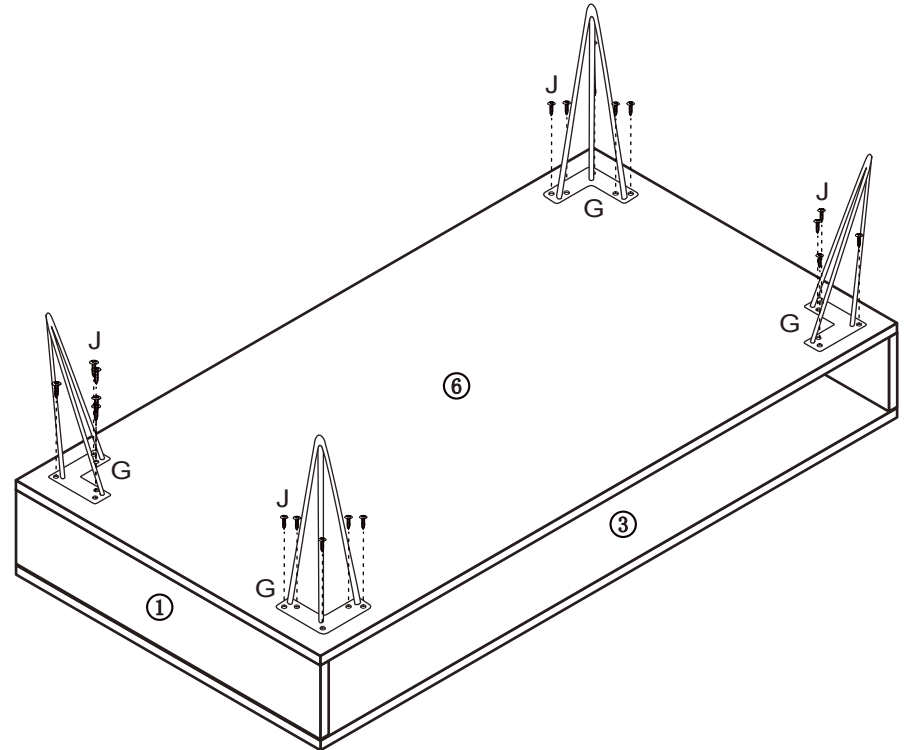
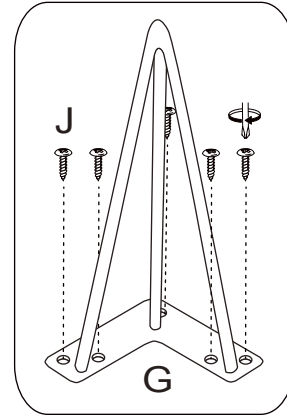
C		8 PCS
D		7 PCS



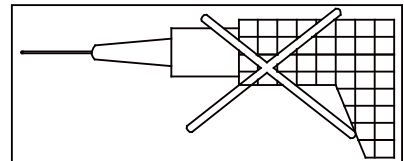
STEP 7

You will need:-

G		4 PCS
J		20 PCS








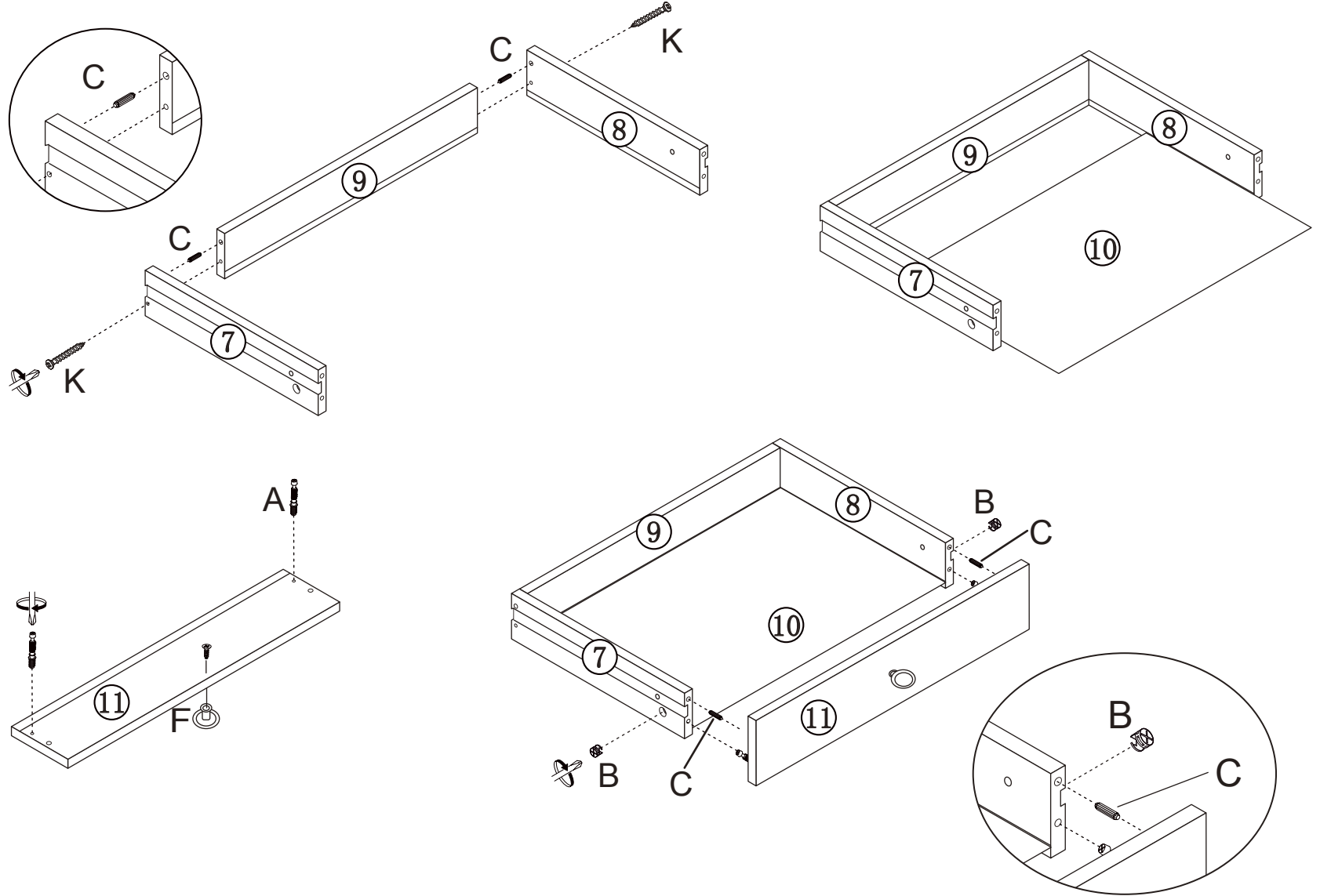
THE USE OF POWER TOOLS TO ASSEMBLE THIS PRODUCT WILL INVALIDATE ANY CLAIM AND MAY DAMAGE THIS PRODUCT MAKING IT UNSAFE



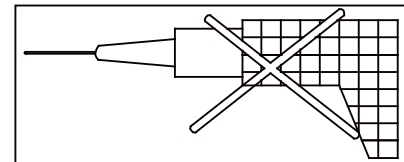
STEP 8

You will need:-

A		2 PCS
B		2 PCS
C		4 PCS
F		2 PCS
K		2 PCS




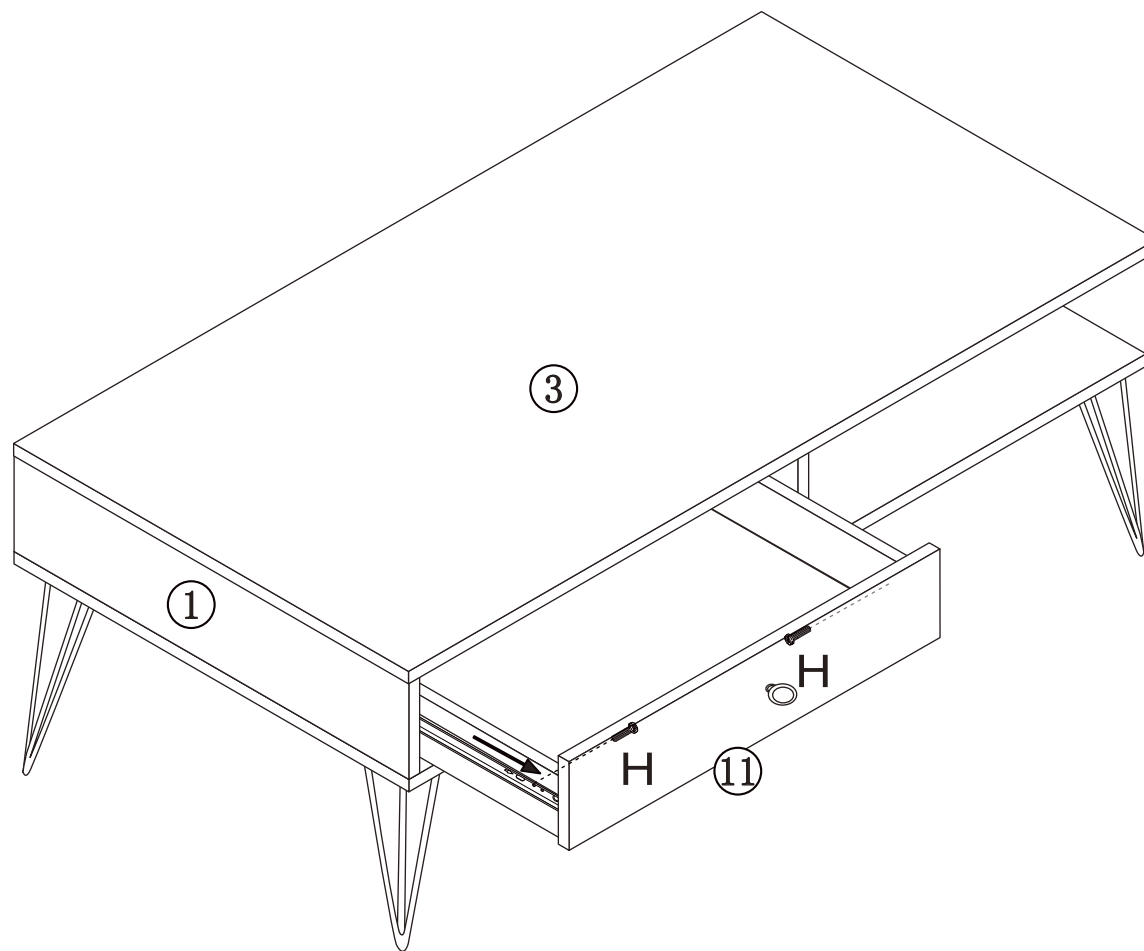
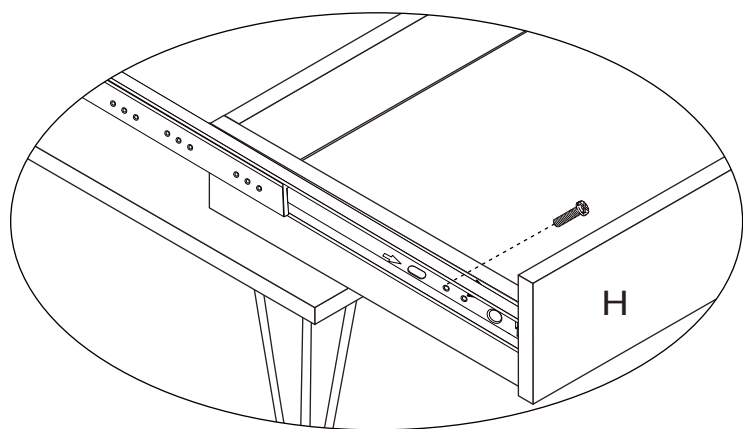
THE USE OF POWER TOOLS TO ASSEMBLE THIS PRODUCT WILL INVALIDATE ANY CLAIM AND MAY DAMAGE THIS PRODUCT MAKING IT UNSAFE



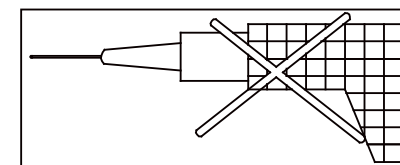
STEP 9

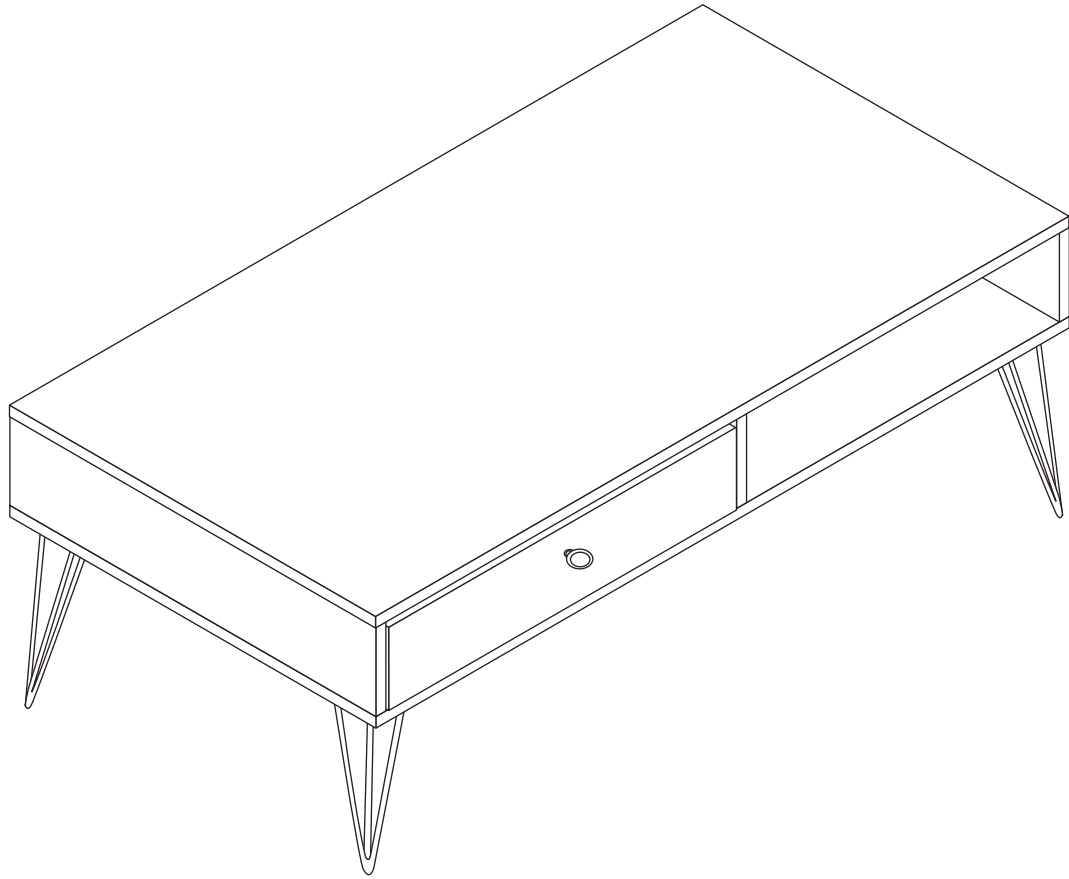
You will need:-

H		2 PCS
---	---	-------



THE USE OF POWER TOOLS TO ASSEMBLE THIS PRODUCT WILL INVALIDATE ANY CLAIM AND MAY DAMAGE THIS PRODUCT MAKING IT UNSAFE





THE USE OF POWER TOOLS TO ASSEMBLE THIS PRODUCT WILL INVALIDATE ANY CLAIM AND MAY DAMAGE THIS PRODUCT MAKING IT UNSAFE

