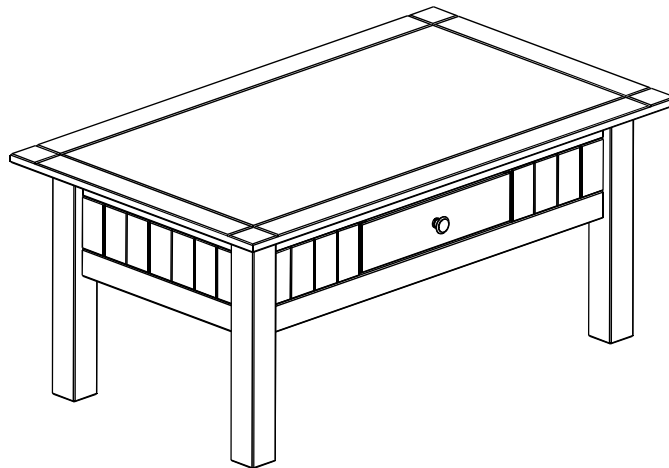


PANAMA 1 DRAWER COFFEE TABLE ASSEMBLY INSTRUCTIONS



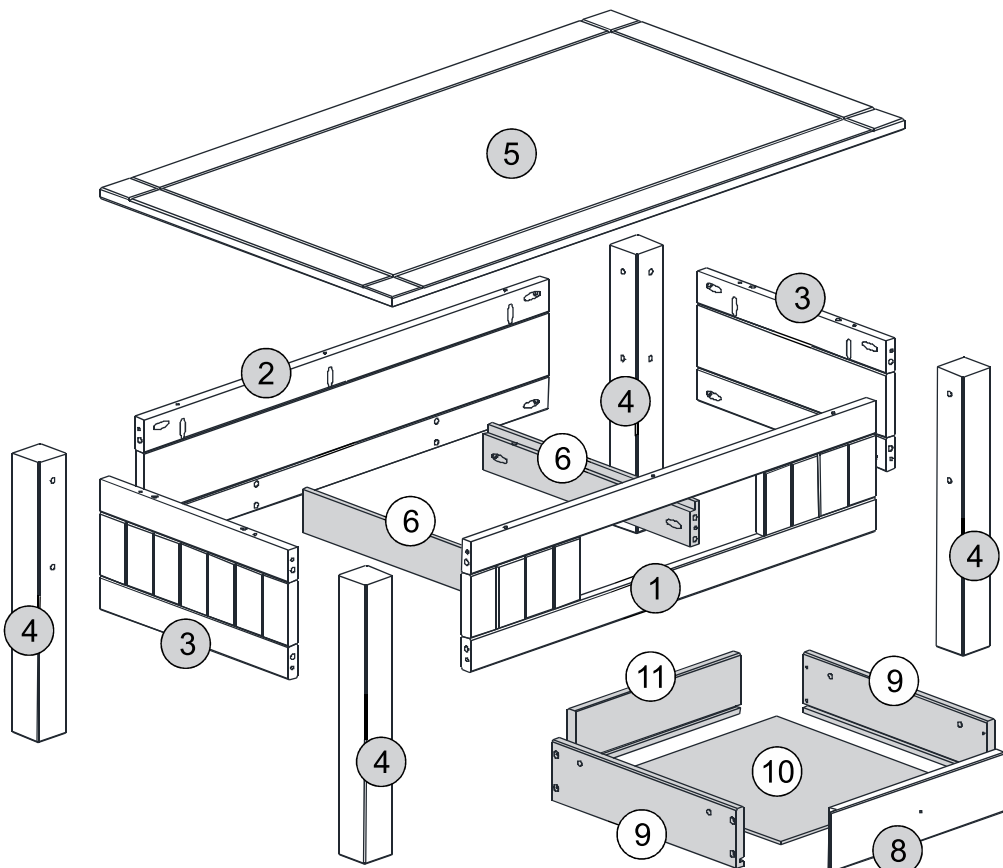
IMPORTANT FOR DOMESTIC USE ONLY

PLEASE READ BEFORE YOU CONTINUE FURTHER

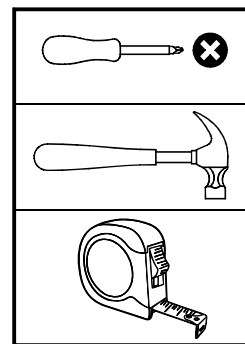
CARE AND MAINTENANCE

After unpacking this product please keep the original packaging in case it needs to be returned for any reason.

- Please ensure all fittings and parts are present before commencing with assembly.
- Never drag or push products as this could cause damage to the joints making it inferior.
- We strongly recommend that you keep children away from your work area.
- We recommend that you lay a blanket or sheet on the floor to avoid damage to both your floor and the product.
- Assemble this product as close to its final position as possible.
- Do not place this product next to a radiator or in direct sunlight.
- Do not drag or push items across your high gloss furniture as this may cause the surface to scratch
- Wood is a natural product and may expand if subjected to damp and may shrink or crack if subjected to heat. Therefore it is recommended that room temperature is maintained, with no sudden temperature fluctuations.
- Make sure any spillage is wiped off immediately.
- Do not place hot or chilled items directly on to the surface, use a place mat or marking will occur.
- For general cleaning use a soft cotton or micro fibre cloth, and do not use detergents of any kind.
- From time to time it may be necessary to tighten fittings, regular inspections should be carried out.
- Do not place on a wet or damp floor as staining may occur to your floor.



TOOLS REQUIRED

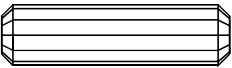



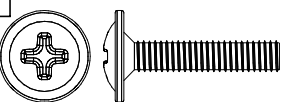


PARTS LIST

Please Note:
The below parts have all been stamped with the part number to help identify them during assembly.

| Part Number | Part Code | Part Description | Quantity | Carton |
|-------------|---------------------|------------------|----------|--------|
| 1 | S300-301-075-MY1-01 | Front Frame | 1 | 1/1 |
| 2 | S300-301-075-MY1-02 | Back Panel | 1 | 1/1 |
| 3 | S300-301-075-MY1-03 | Side Panel | 2 | 1/1 |
| 4 | S300-301-075-MY1-04 | Leg | 4 | 1/1 |
| 5 | S300-301-075-MY1-05 | Top Panel | 1 | 1/1 |
| 6 | S300-301-075-MY1-06 | Drawer Runner | 2 | 1/1 |
| 8 | S300-301-075-MY1-08 | Drawer Front | 1 | 1/1 |
| 9 | S300-301-075-MY1-09 | Drawer Side | 2 | 1/1 |
| 10 | S300-301-075-MY1-10 | Drawer Bottom | 1 | 1/1 |
| 11 | S300-301-075-MY1-11 | Drawer Back | 1 | 1/1 |

FITTINGS LIST

| | | | |
|---|--|---|--|
| <p>A</p>  <p>+2 Dowel Ø8,0 x 30mm (32x)</p> | <p>B</p>  <p>+2 Pan Head Screw Ø3,5 x 35mm (30x)</p> | <p>C</p>  <p>+1 Flat Head Screw Ø3,0 x 30mm (8x)</p> | <p>D</p>  <p>Handle (1x)</p> |
| <p>E</p>  <p>Flan Head Screw M4 x 22mm (1x)</p> | | | |

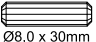
STEP 1

PARTS REQUIRED

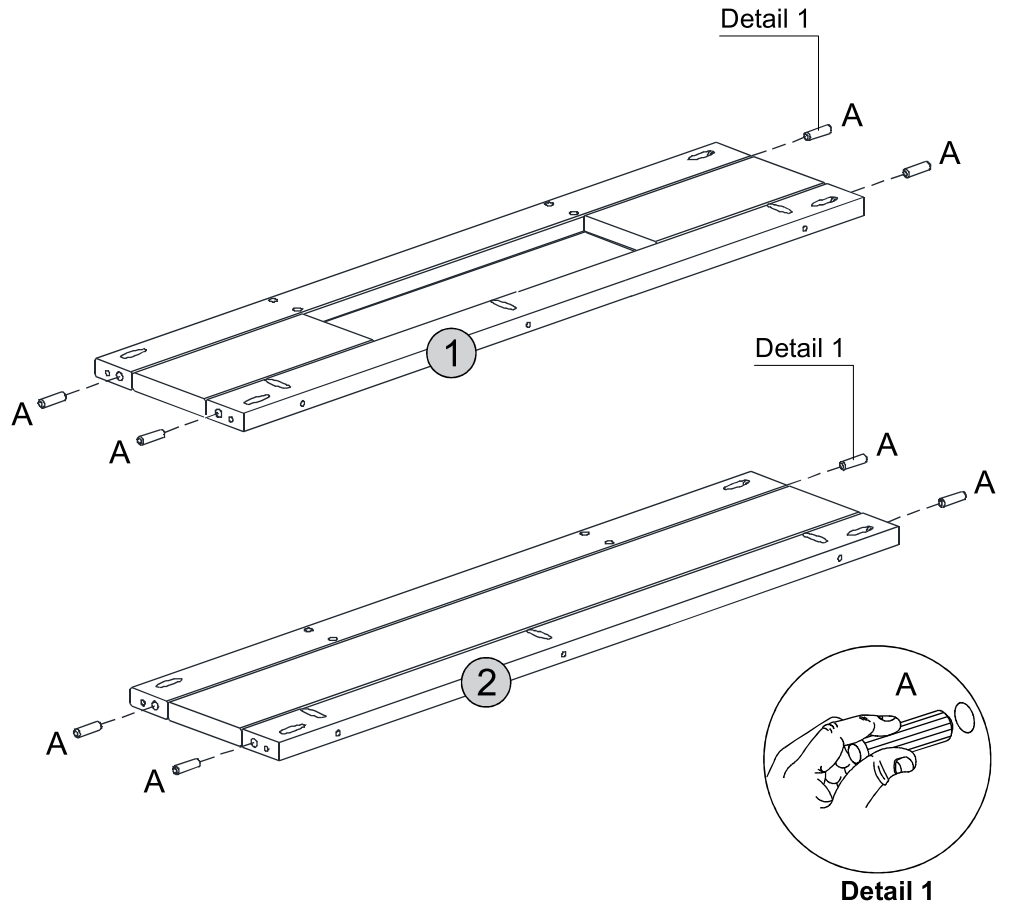
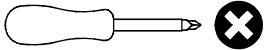
1 - FRONT FRAME x1

2 - BACK PANEL x1

HARDWARE REQUIRED

A  08
Ø8,0 x 30mm

TOOLS REQUIRED



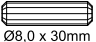
STEP 2

PARTS REQUIRED

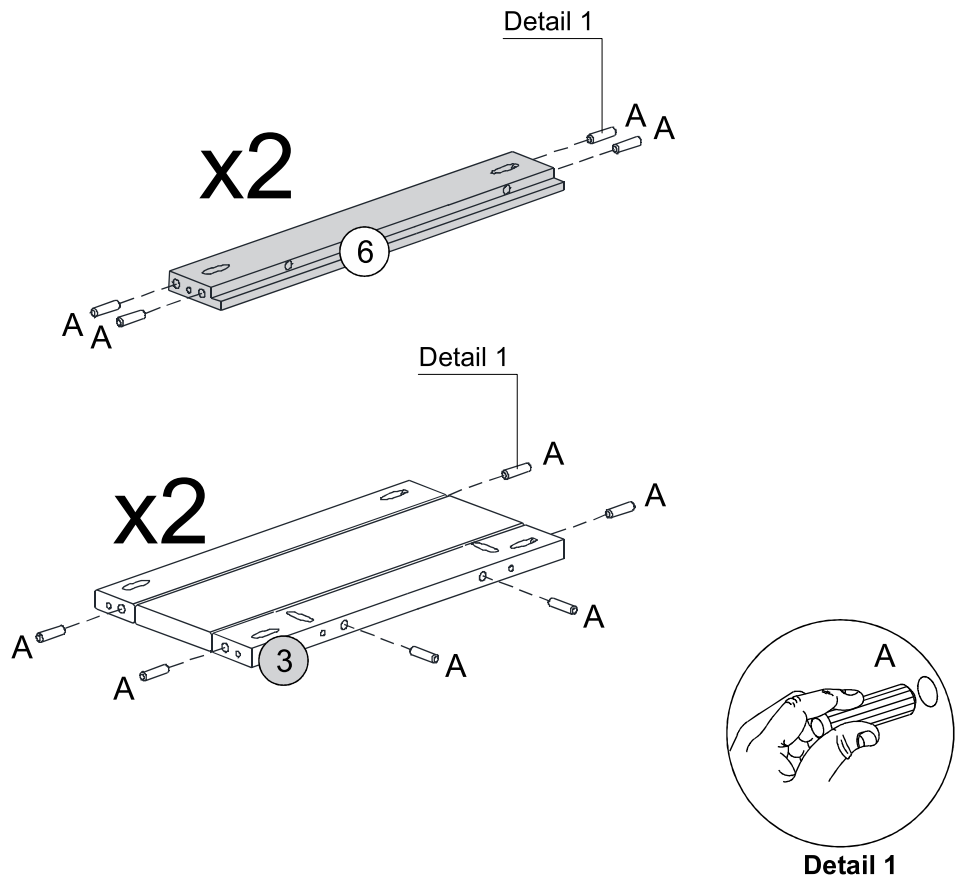
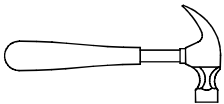
3 - SIDE PANEL x2

6 - DRAWER RUNNER x2

HARDWARE REQUIRED

A  20
Ø8,0 x 30mm

TOOLS REQUIRED




STEP 3

PARTS REQUIRED

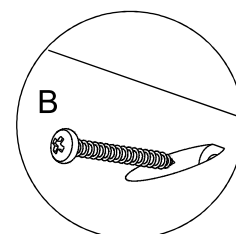
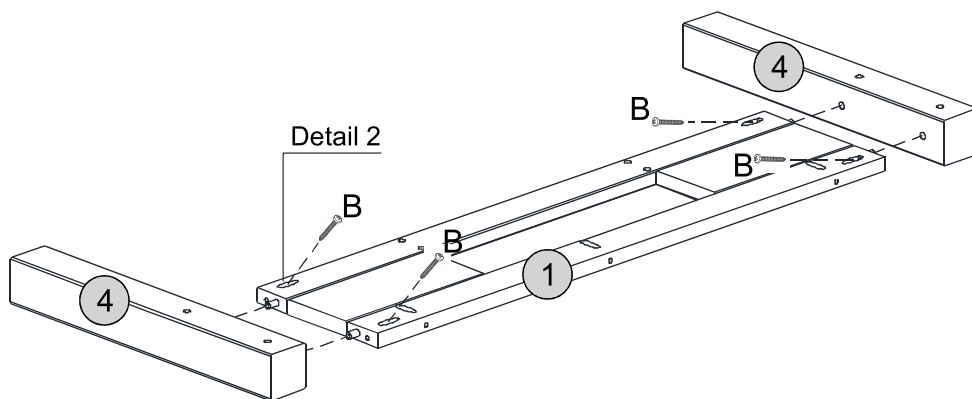
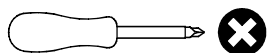
1 - FRONT FRAME x1

4 - LEG x2

HARDWARE REQUIRED

B  04
Ø3,5 x 35mm

TOOLS REQUIRED



Detail 2


STEP 4

PARTS REQUIRED

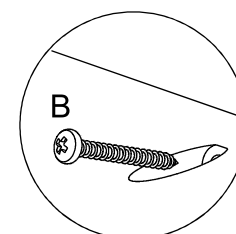
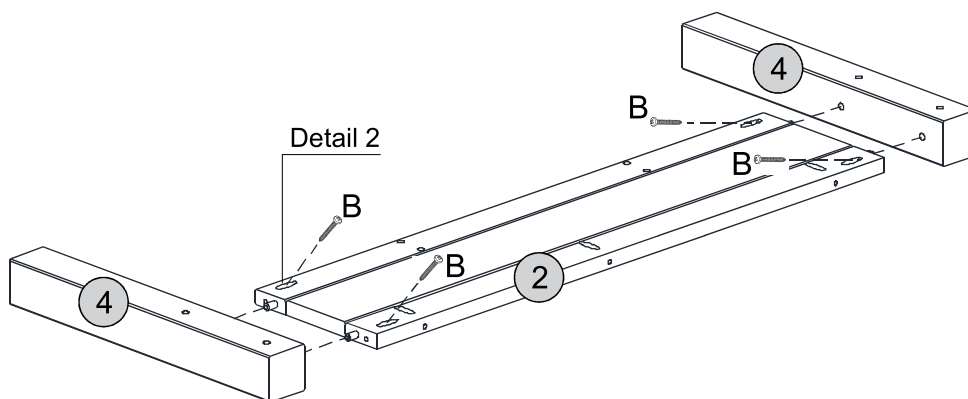
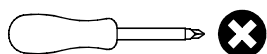
2 - BACK PANEL x1

4 - LEG x2

HARDWARE REQUIRED

B  04
Ø3,5 x 35mm

TOOLS REQUIRED



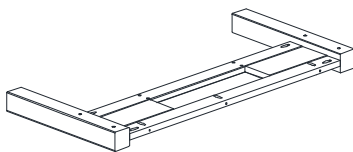
Detail 2

STEP 5

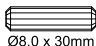
PARTS REQUIRED

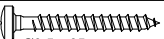
3 - SIDE PANEL x2

6 - DRAWER RUNNER x2

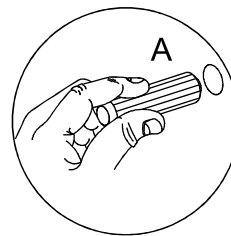
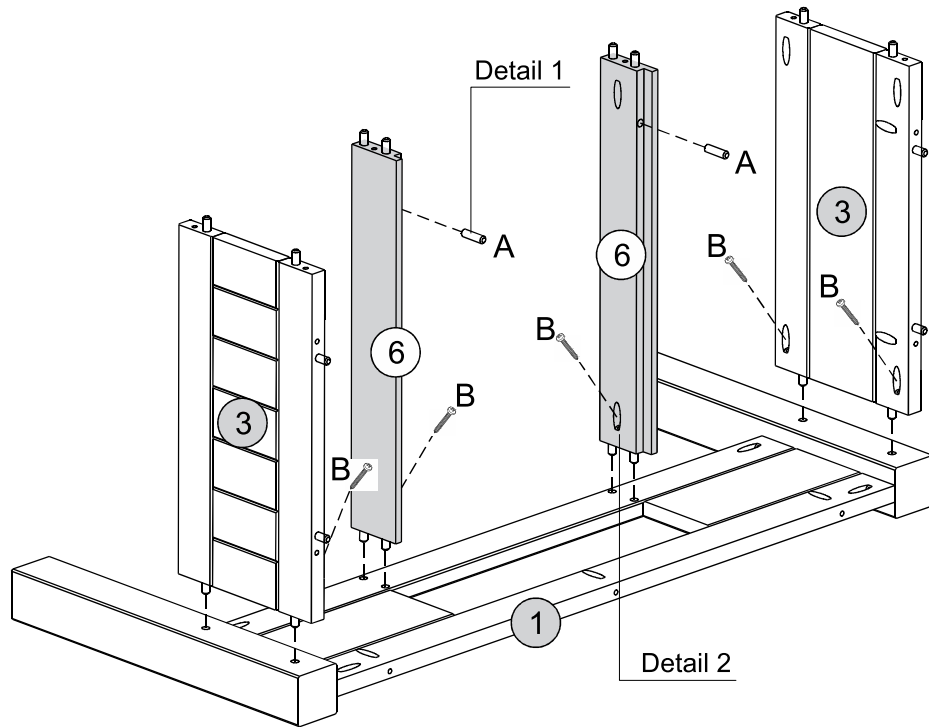
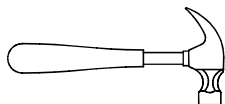
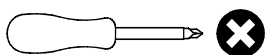


HARDWARE REQUIRED

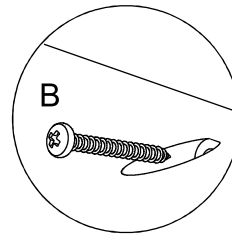
A  02
Ø8,0 x 30mm

B  06
Ø3,5 x 35mm

TOOLS REQUIRED



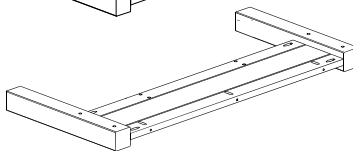
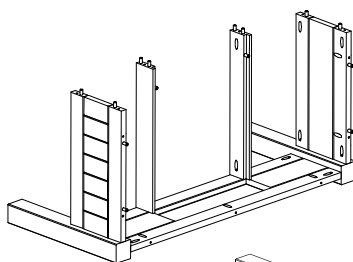
Detail 1



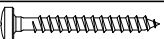
Detail 2

STEP 6

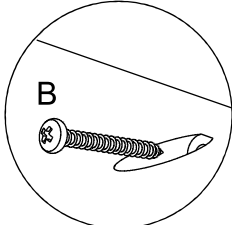
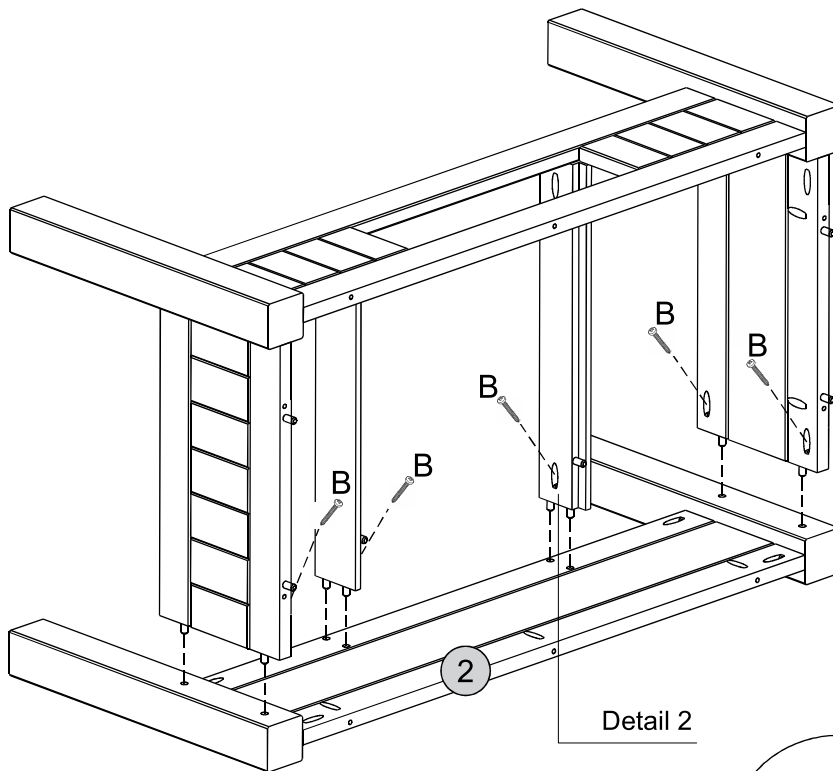
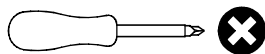
PARTS REQUIRED



HARDWARE REQUIRED

B  06
Ø3,5 x 35mm

TOOLS REQUIRED

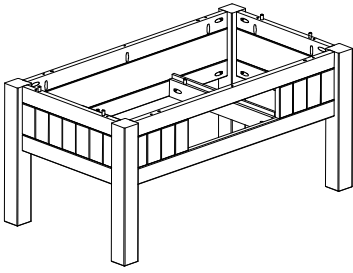


Detail 2


STEP 7

PARTS REQUIRED

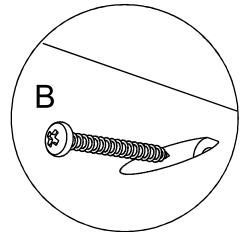
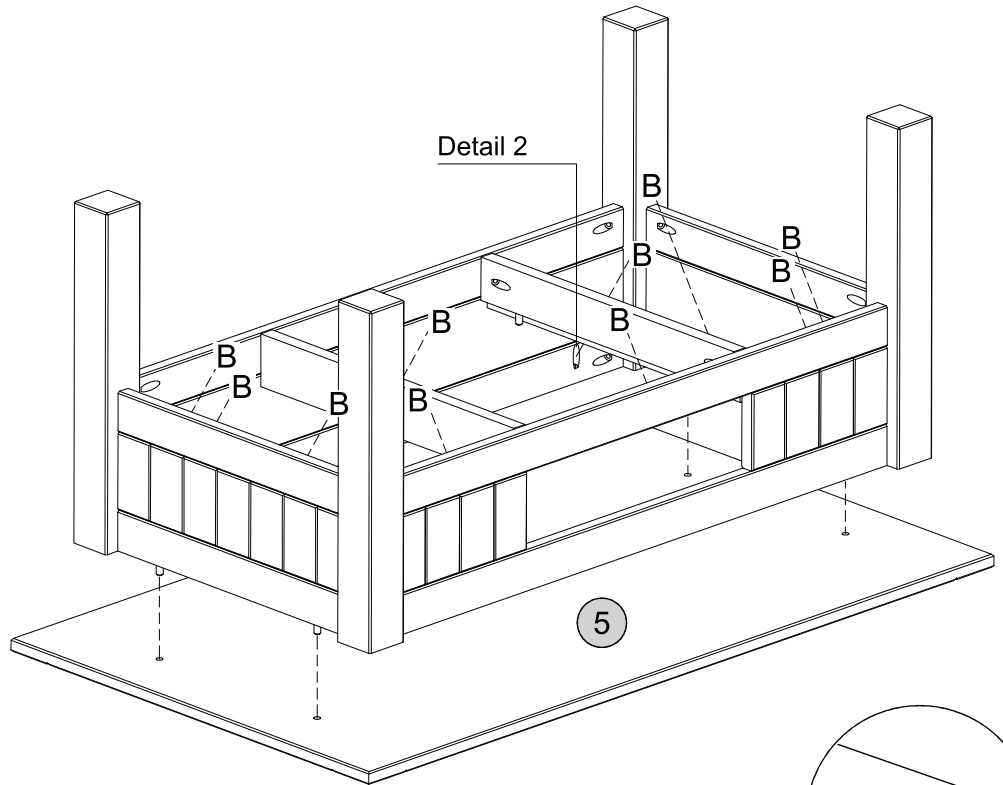
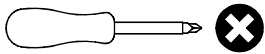
5 - TOP PANEL x1



HARDWARE REQUIRED

B  10
Ø3,5 x 35mm

TOOLS REQUIRED



Detail 2


STEP 8

PARTS REQUIRED

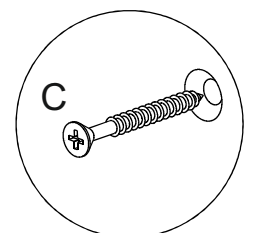
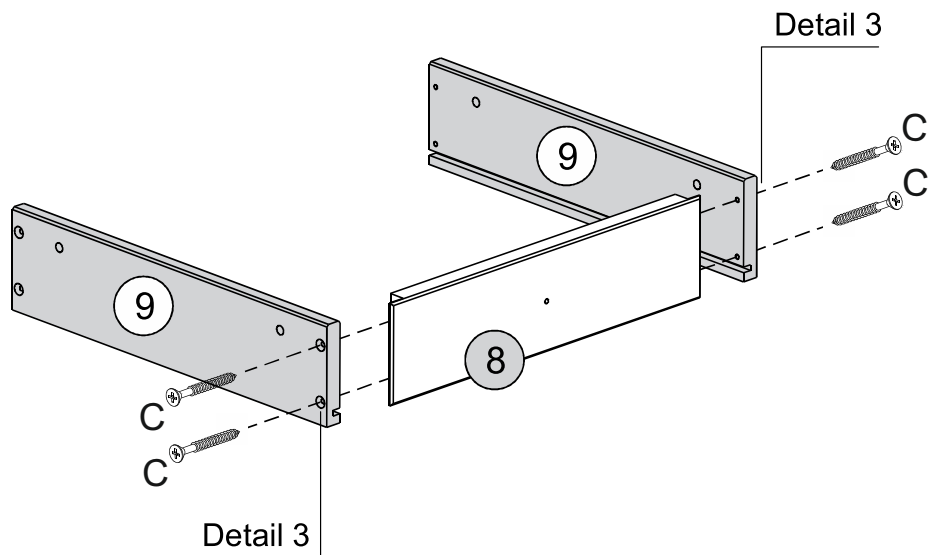
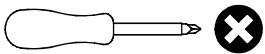
8 - DRAWER FRONT x1

9 - DRAWER SIDE x2

HARDWARE REQUIRED

C  04
Ø3,0 x 30mm

TOOLS REQUIRED



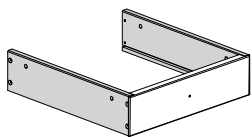
Detail 3

STEP 9


PARTS REQUIRED

10 - DRAWER BOTTOM x1

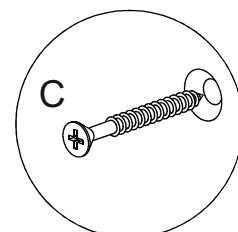
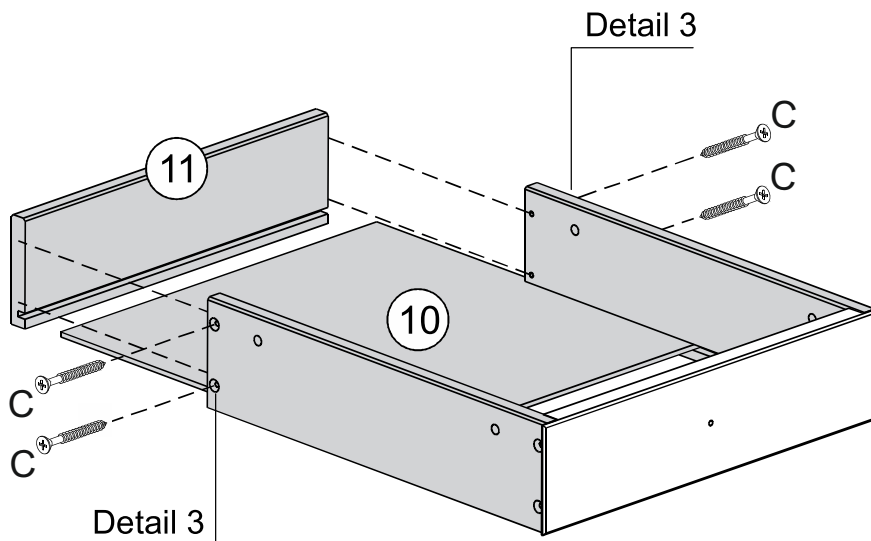
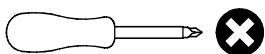
11 - DRAWER BACK x1



HARDWARE REQUIRED

C  04
Ø3,0 x 30mm

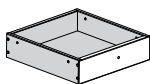
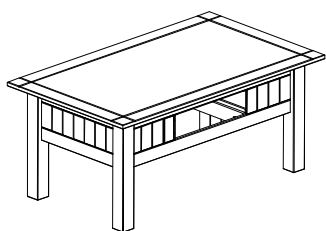
TOOLS REQUIRED




Detail 3

STEP 10


PARTS REQUIRED



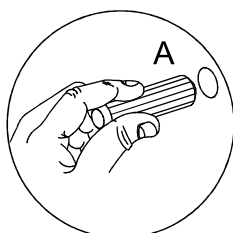
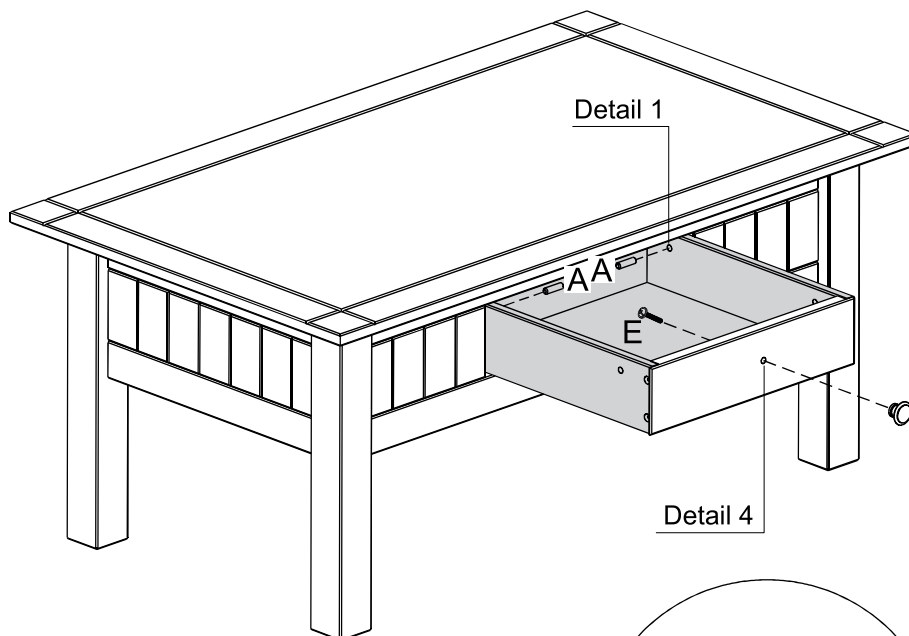
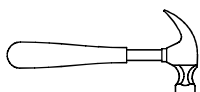
HARDWARE REQUIRED

A  02
Ø8,0 x 30mm

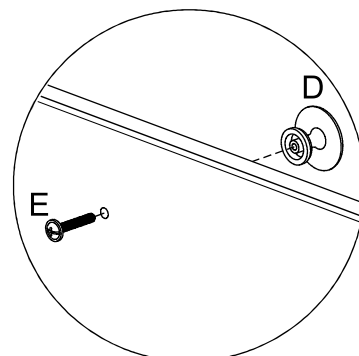
D  01

E  01
M4 x 22mm

TOOLS REQUIRED



Detail 1



Detail 4