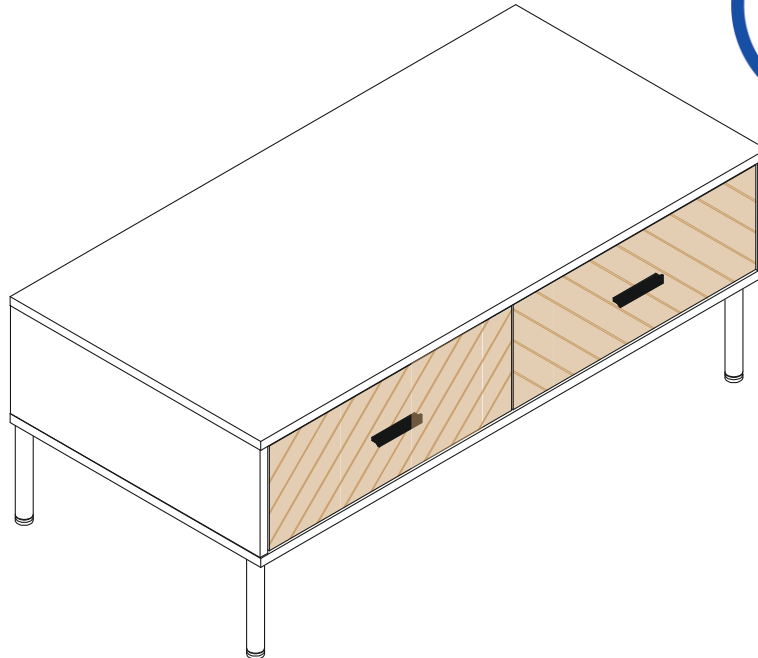


LEON 2 DRAWER COFFEE TABLE ASSEMBLY INSTRUCTIONS



**FOR DOMESTIC USE ONLY
IMPORTANT**

PLEASE READ BEFORE YOU CONTINUE FURTHER

THE PRODUCT YOU HAVE PURCHASED WILL GIVE YOU MANY YEARS OF SERVICE IF YOU FOLLOW THE GUIDELINES FOR ITS SAFE ASSEMBLY AND PERIODIC MAINTENANCE AND CLEANING.

ASSEMBLE ON A SOFT CLEAN SURFACE.

DO NOT USE ANY TOOLS OTHER THAN THOSE SHOWN.

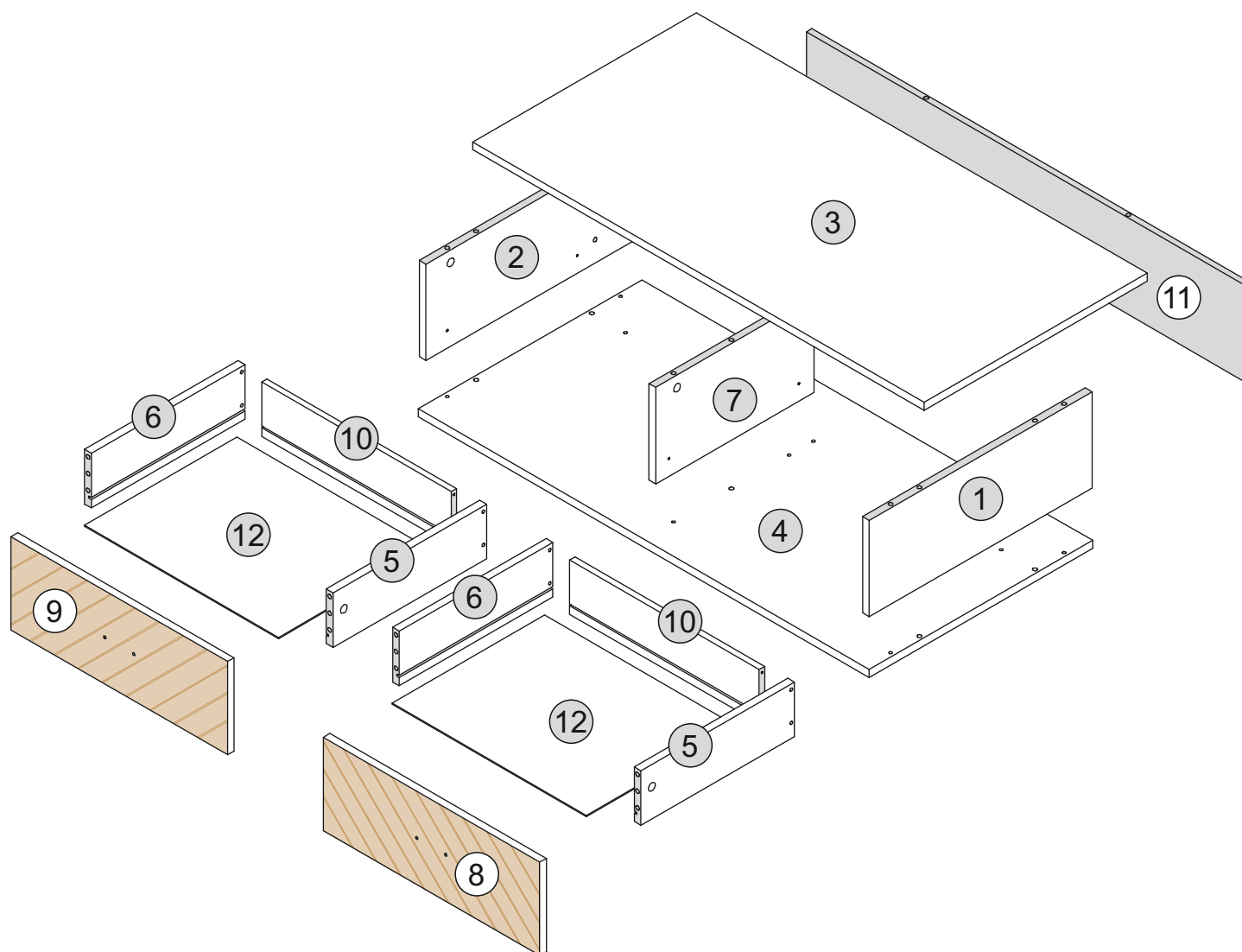
ANY SPANNERS OR ALLEN KEYS REQUIRED ARE INCLUDED WITH THE FITTING KIT.

DO NOT FOR ANY REASON USE A POWER TOOL TO ASSEMBLE THIS PRODUCT. ITS USE WILL INVALIDATE ANY CLAIM YOU MAY HAVE AND COULD MAKE THIS PRODUCT UNSAFE.

DEPENDING ON THE AMOUNT OF USE THIS PRODUCT RECEIVES, IT MAY BE NECESSARY TO TIGHTEN UP THE FIXINGS FROM TIME TO TIME. THIS IS COMPLETELY NORMAL FOR ANY FLAT PACK FURNITURE. DO NOT OVERTIGHTEN FIXINGS.

FOR CLEANING, YOU MAY USE A DAMP CLOTH (NOT WET). DO NOT USE POLISH, DETERGENT OR CHEMICAL CLEANERS.

THIS SURFACE OF THIS ITEM IS NOT HEAT RESISTANT. ALWAYS USE A PLACE MAT UNDER HOT OR COLD ITEMS TO PREVENT MARKING.



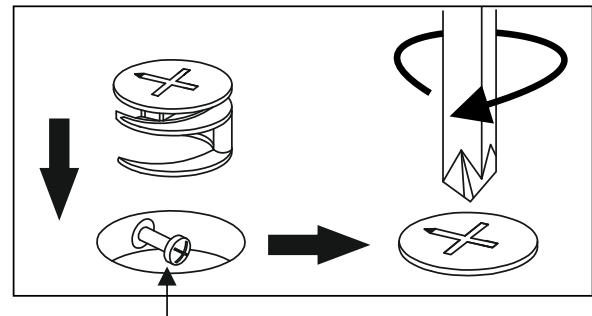
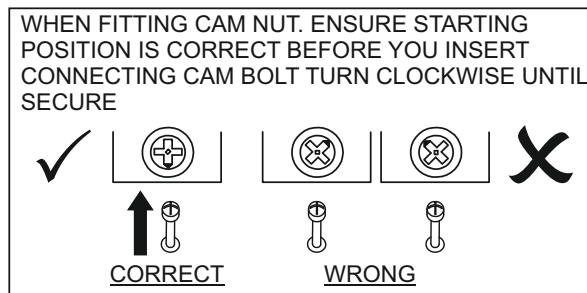
PART LIST

Part Number	Part Code	Part Description	Quantity	Carton
1	S300-301-076-ZF1-01	Right Side Panel	1	1/1
2	S300-301-076-ZF1-02	Left Side Panel	1	1/1
3	S300-301-076-ZF1-03	Top Panel	1	1/1
4	S300-301-076-ZF1-04	Bottom Panel	1	1/1
5	S300-301-076-ZF1-05	Right Drawer Side Panel	2	1/1
6	S300-301-076-ZF1-06	Left Drawer Side Panel	2	1/1
7	S300-301-076-ZF1-07	Centre Panel	1	1/1
8	S300-301-076-ZF1-08	Right Drawer Front	1	1/1
9	S300-301-076-ZF1-09	Left Drawer Front	1	1/1
10	S300-301-076-ZF1-10	Drawer Back Panel	2	1/1
11	S300-301-076-ZF1-11	Back Panel	1	1/1
12	S300-301-076-ZF1-12	Drawer Base	2	1/1

HARDWARE LIST

No	Part Name		Qty	Carton
A	M8x30mm Wooden Dowel		x26	1
B	Minifix Cam Bolt (8032t)		x10	1
C	Minifix Cam Nut (1512)		x10	1
D	M3.5x16mm Screw		x32	1
E	M4x45mm Screw		x9	1
F	Iron Leg (230mm) - Black		x4	1
G	20mm Handle Screw		x4	1
H	Handle (64mm)		x2	1
I	14" Drawer Slide (VKT 0.9 -Black)		x2	1
J	M4x38mm Screw		x8	1

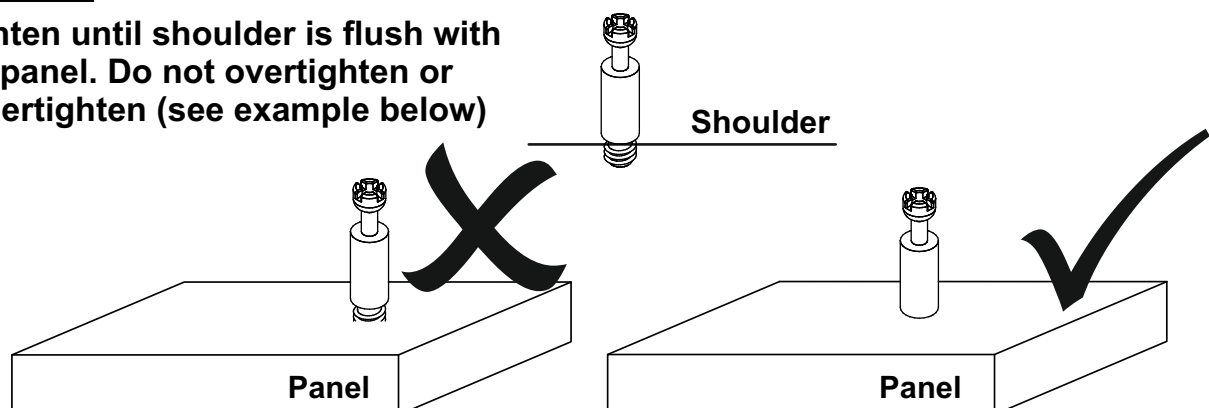
TIPS FOR FITTINGS CAM-LOCKS



Cam bolt head needs to be in centre

CAMBOLT

Tighten until shoulder is flush with the panel. Do not overtighten or undertighten (see example below)



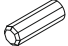
STEP 1

PARTS REQUIRED

1 - RIGHT SIDE PANEL x1

2 - LEFT SIDE PANEL x1

HARDWARE REQUIRED

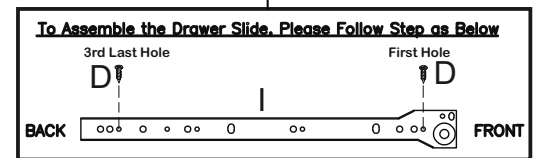
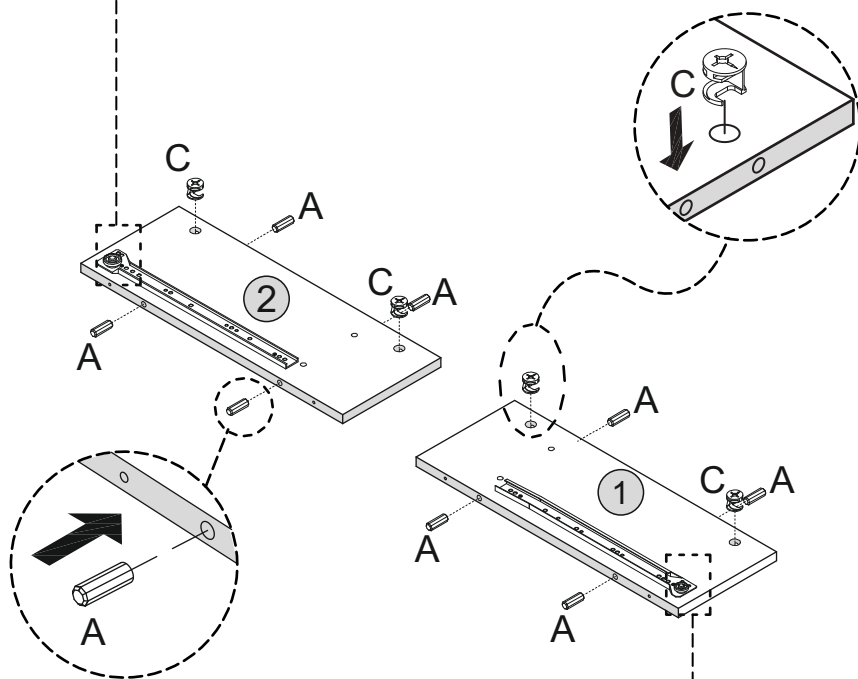
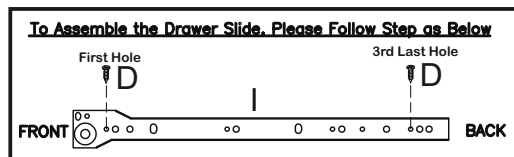
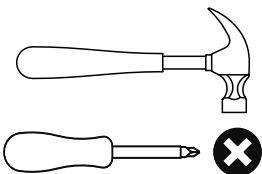
A  08

C  04

D  3.5x16mm 04

I  01

TOOLS REQUIRED




STEP 2

PARTS REQUIRED

7 - CENTRE PANEL x1

HARDWARE REQUIRED

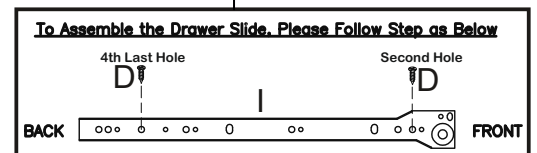
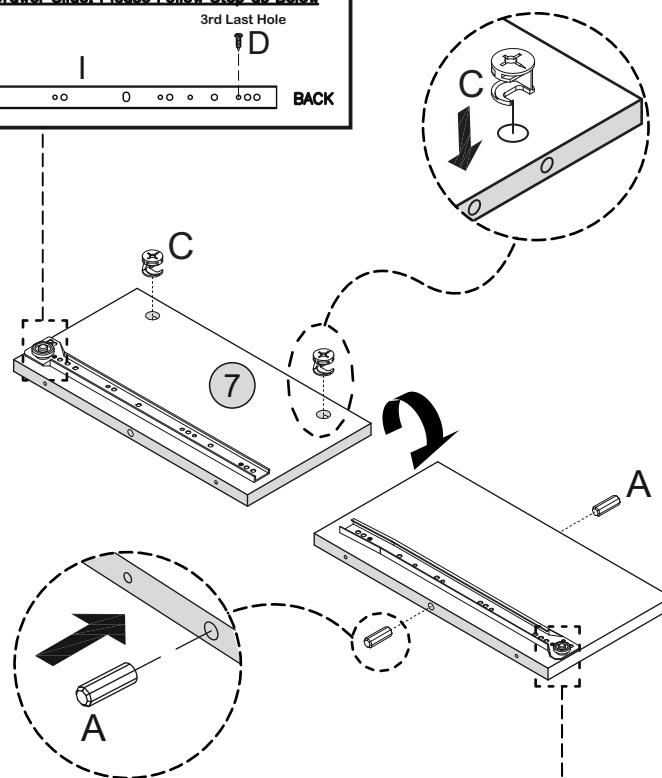
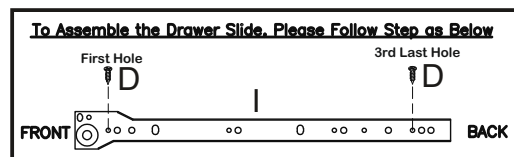
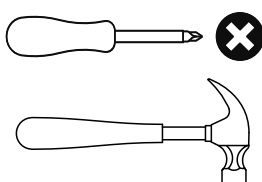
A  02

C  02

D  3.5x16mm 04

I  01

TOOLS REQUIRED

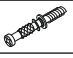


STEP 3

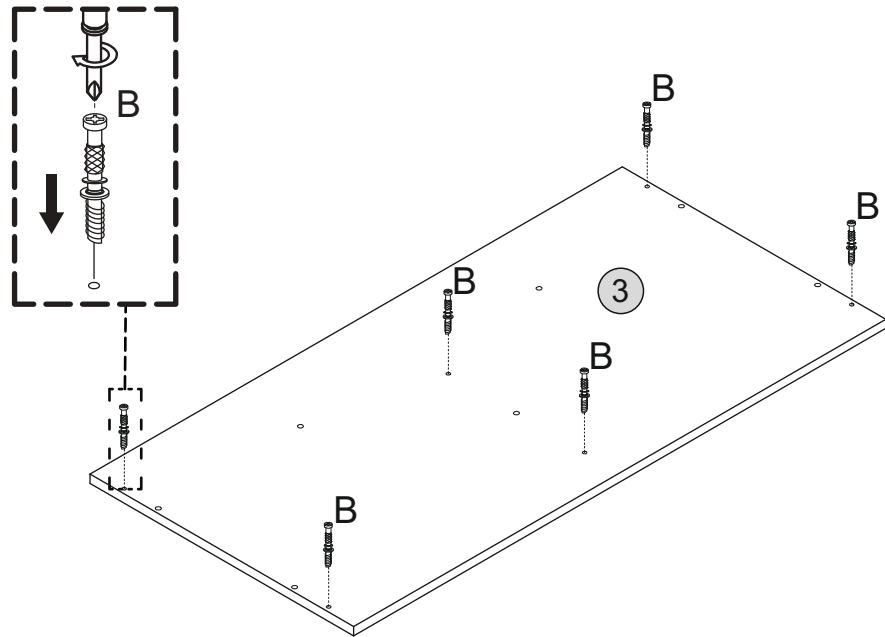
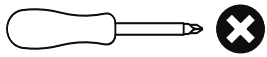
PARTS REQUIRED

3 - TOP PANEL x1

HARDWARE REQUIRED

B  06

TOOLS REQUIRED

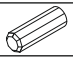


STEP 4

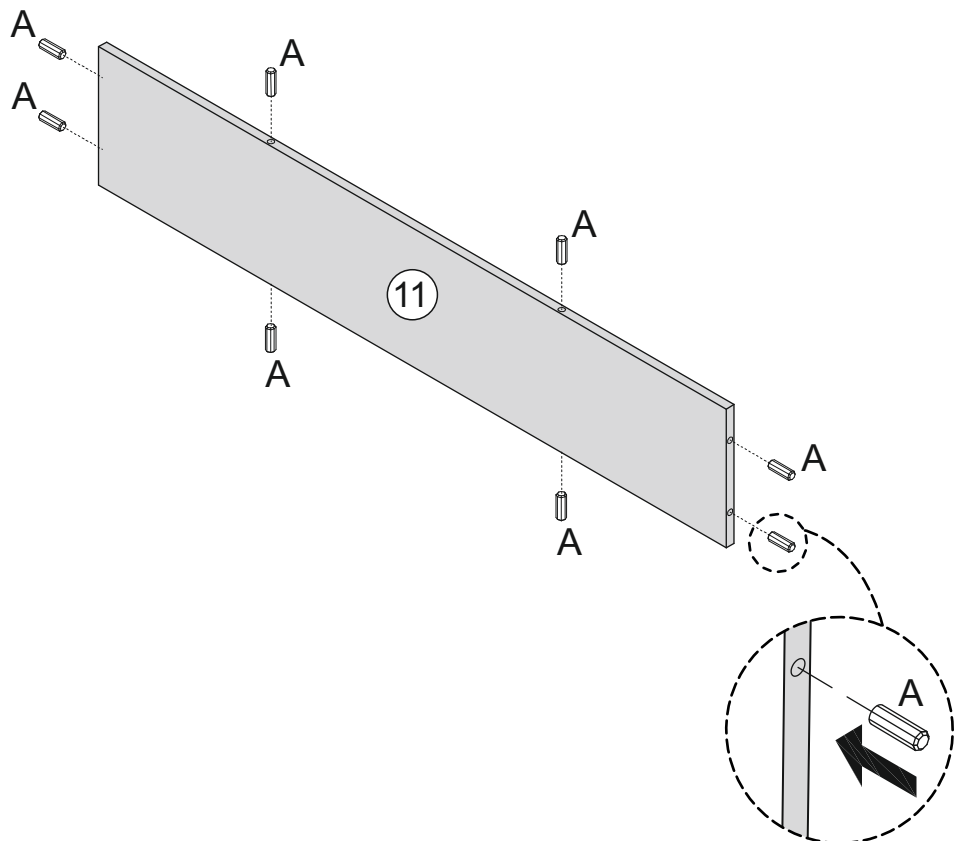
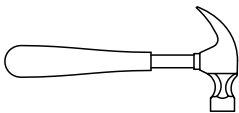
PARTS REQUIRED

11 - BACK PANEL x1

HARDWARE REQUIRED

A  08

TOOLS REQUIRED



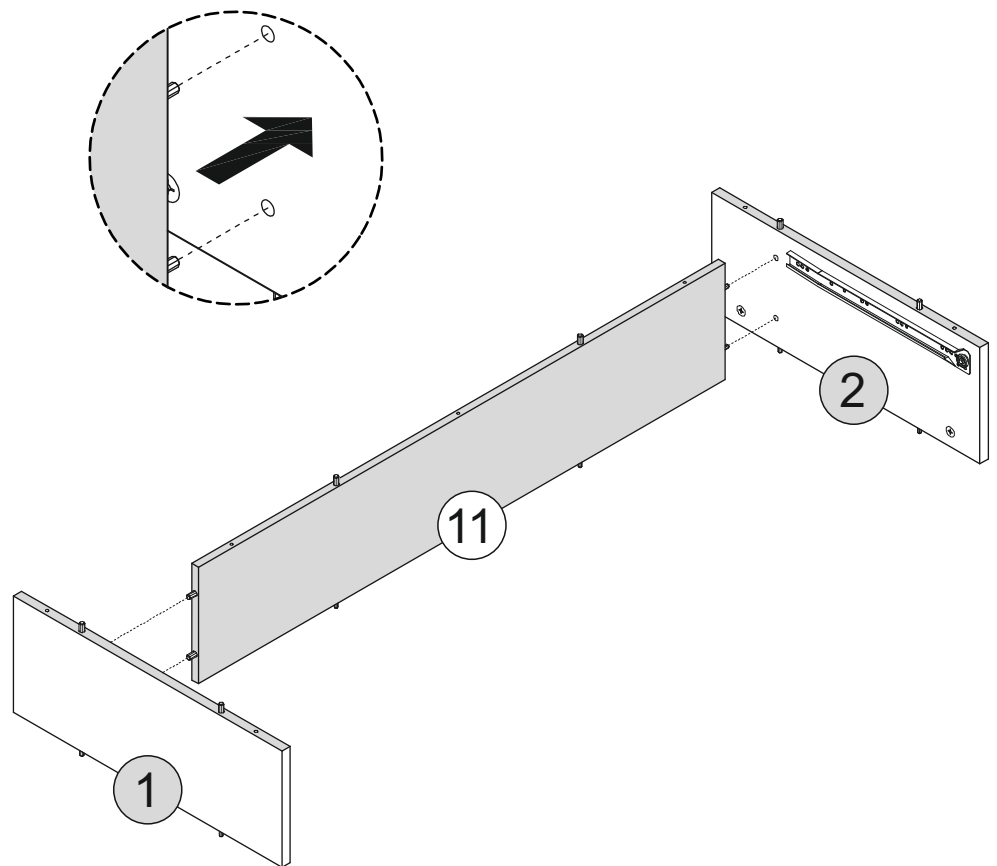
STEP 5

PARTS REQUIRED

- 1 - RIGHT SIDE PANEL x1
- 2 - LEFT SIDE PANEL x1
- 11 - BACK PANEL x1

HARDWARE REQUIRED

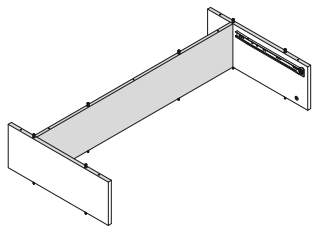
TOOLS REQUIRED



STEP 6

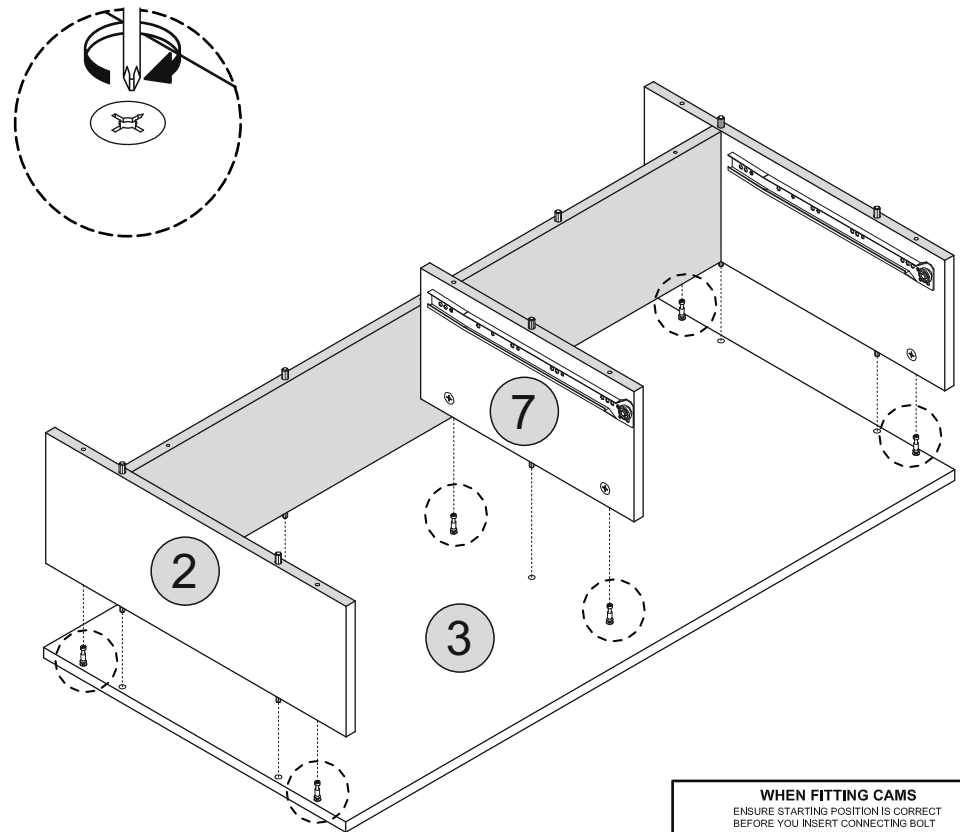
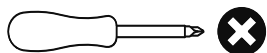
PARTS REQUIRED

- 3 - TOP PANEL x1
- 7 - CENTRE PANEL x1



HARDWARE REQUIRED

TOOLS REQUIRED



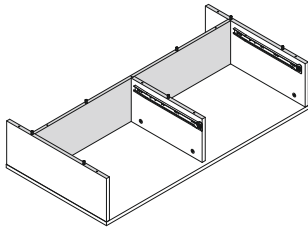
WHEN FITTING CAMS
 ENSURE STARTING POSITION IS CORRECT
 BEFORE YOU INSERT CONNECTING BOLT
 TURN CLOCKWISE UNTIL SECURE

✓	⊕	⊗	⊗	✗
	↑ A	A	A	
	CORRECT	WRONG		

STEP 7

PARTS REQUIRED

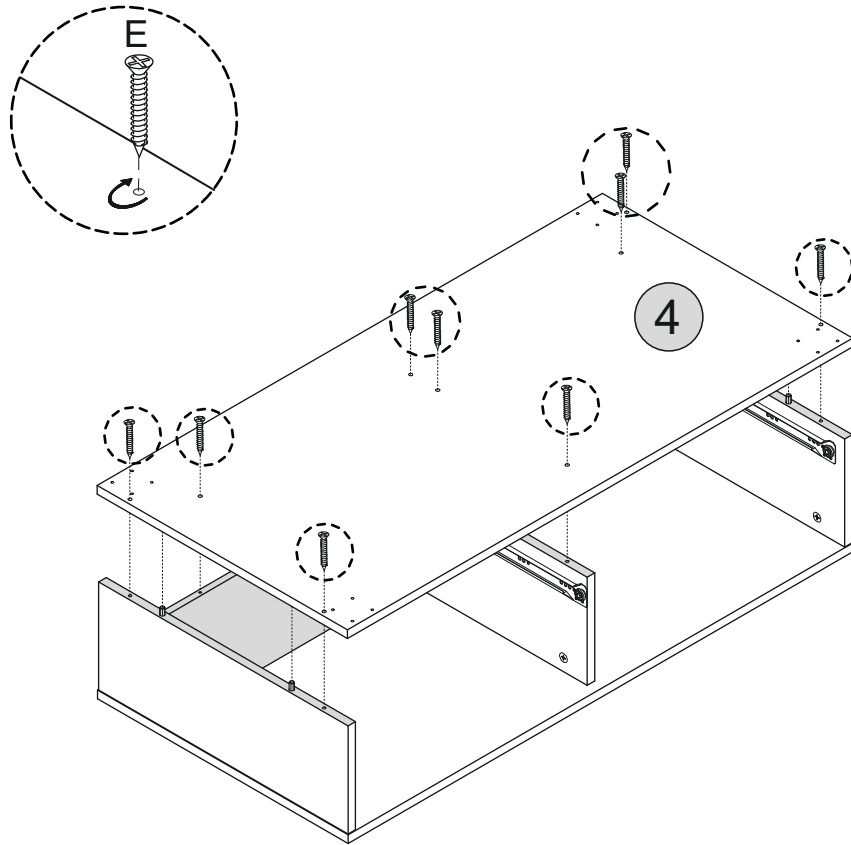
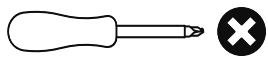
4 - BOTTOM PANEL x1



HARDWARE REQUIRED

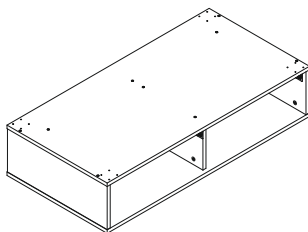
E  4x45mm 09

TOOLS REQUIRED





STEP 8

PARTS REQUIRED

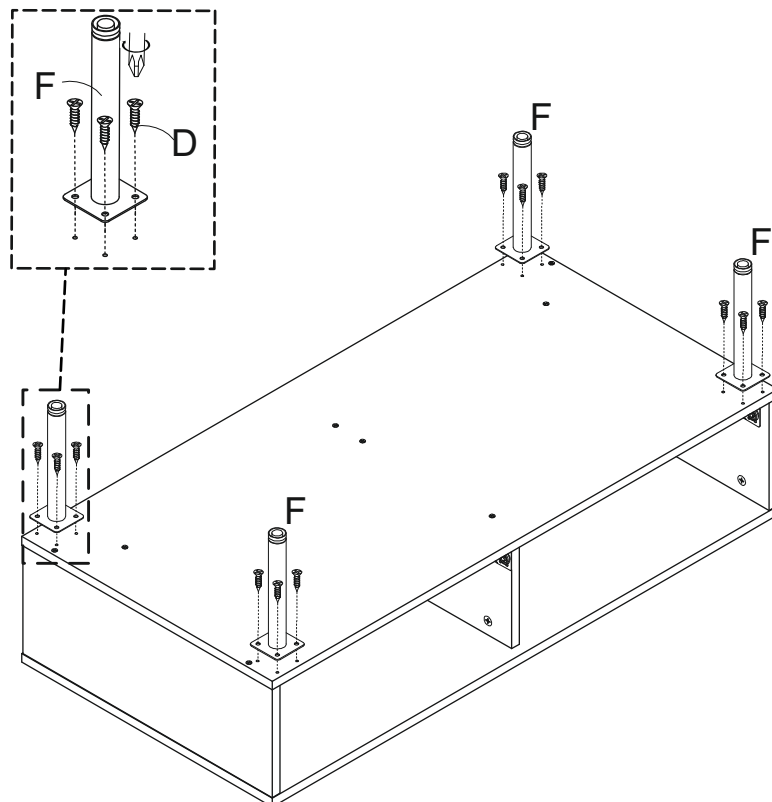
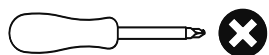


HARDWARE REQUIRED

D  3.5x16mm 16

F  04

TOOLS REQUIRED

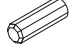
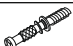



STEP 9

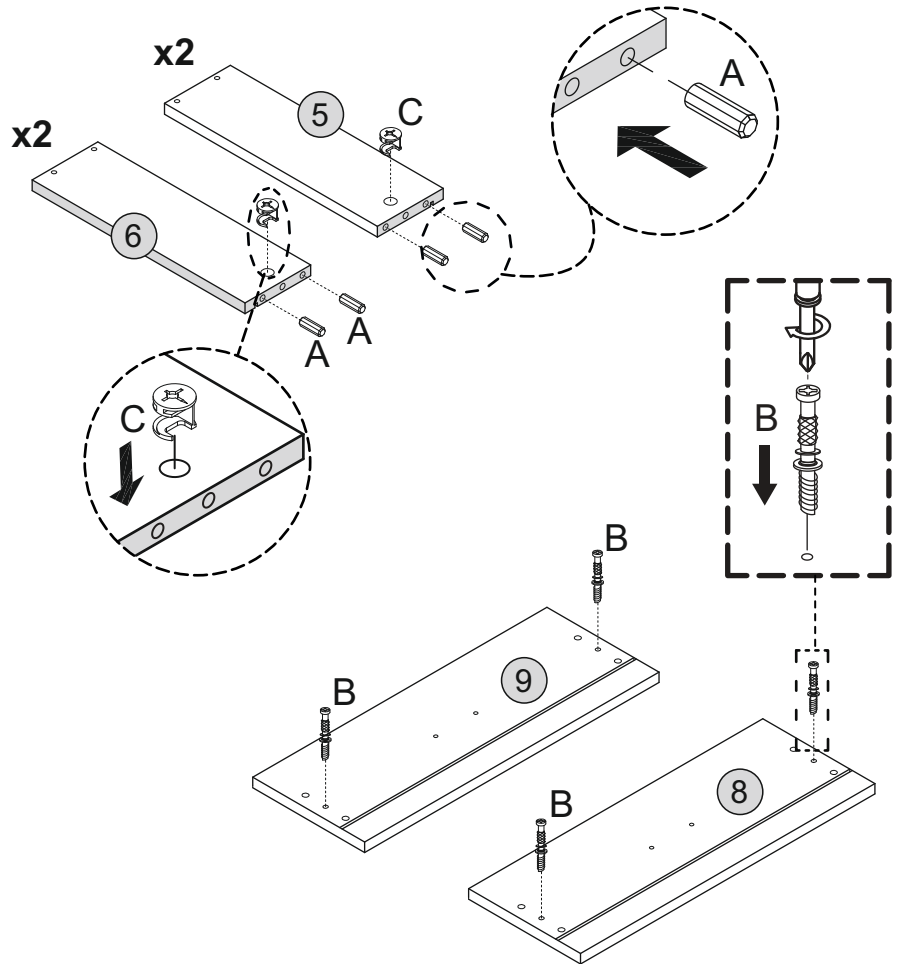
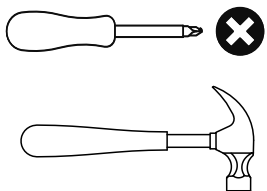
PARTS REQUIRED

5 - RIGHT DRAWER SIDE	x2
6 - LEFT DRAWER SIDE	x2
8 - RIGHT DRAWER FRONT	x1
9 - LEFT DRAWER FRONT	x1

HARDWARE REQUIRED

A		08
B		04
C		04

TOOLS REQUIRED



STEP 10

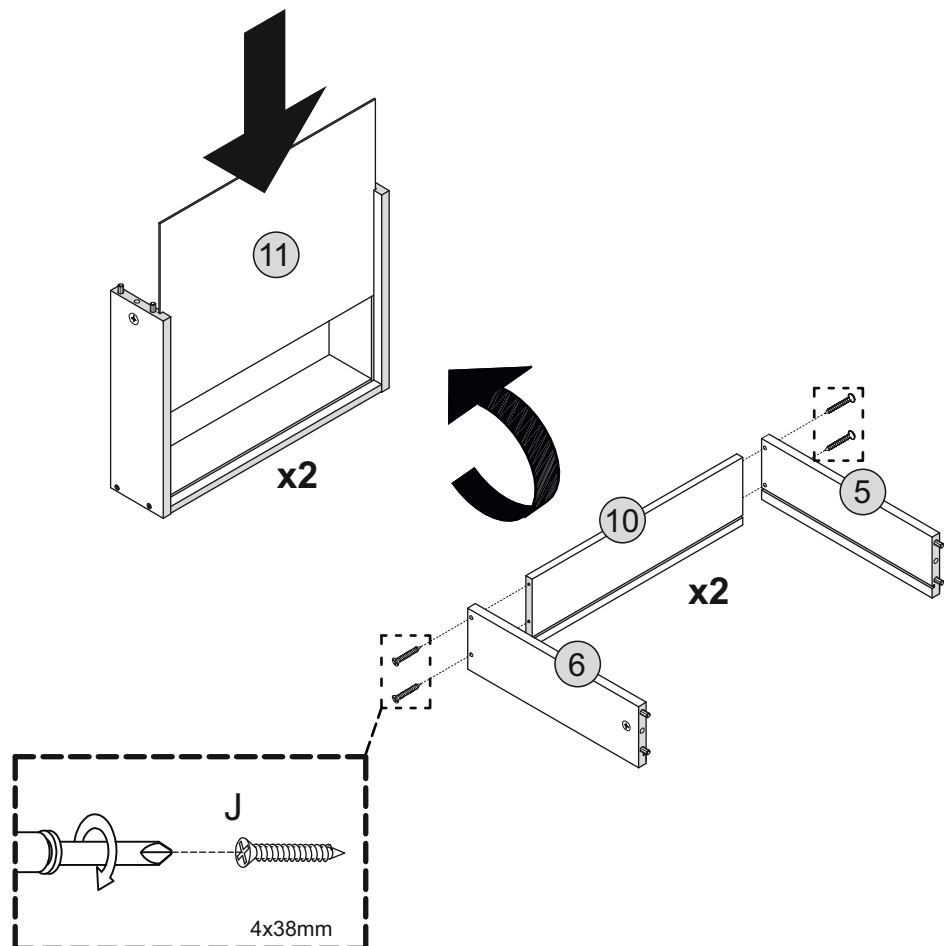
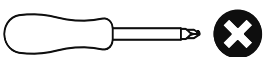
PARTS REQUIRED

5 - RIGHT DRAWER SID	x2
6 - LEFT DRAWER SID	x2
10 - DRAWER BACK	x2
11 - DRAWER BASE	x2

HARDWARE REQUIRED

J		08
---	---	----

TOOLS REQUIRED

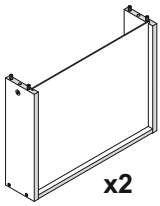


STEP 11

PARTS REQUIRED

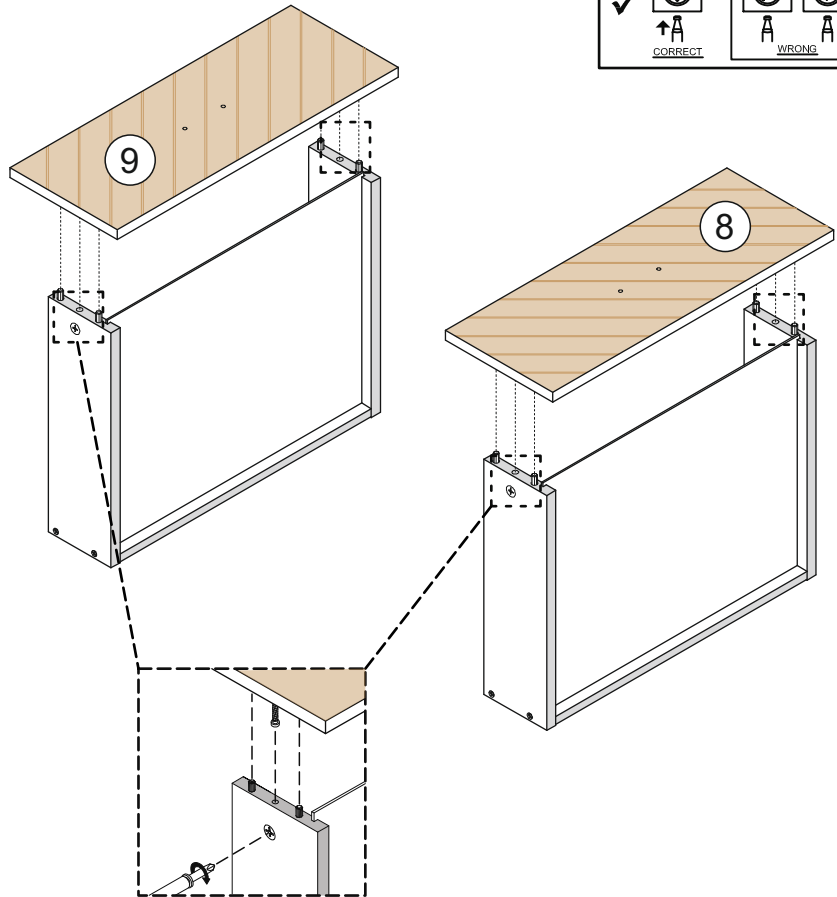
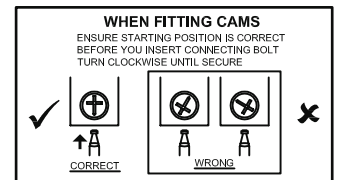
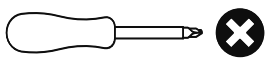
8 - RIGHT DRAWER FRONT x1

9 - LEFT DRAWER FRONT x1



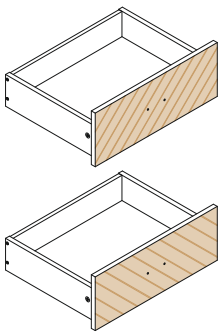
HARDWARE REQUIRED

TOOLS REQUIRED



STEP 12

PARTS REQUIRED

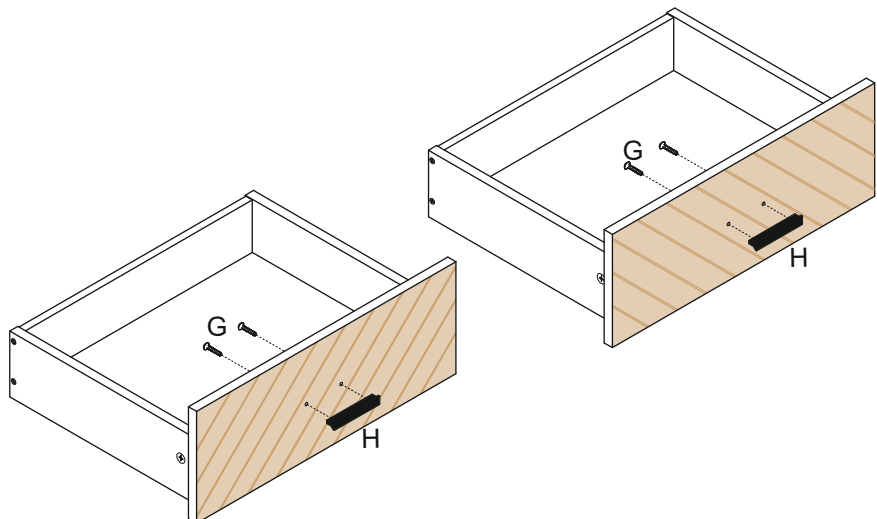
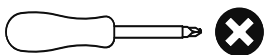


HARDWARE REQUIRED

G  04

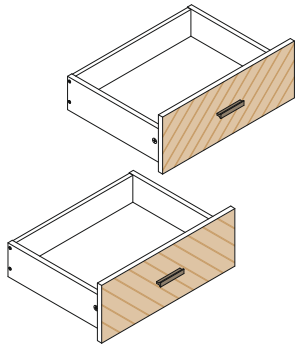
H  02

TOOLS REQUIRED

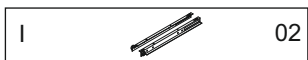
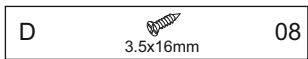


STEP 13

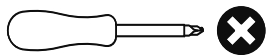
PARTS REQUIRED



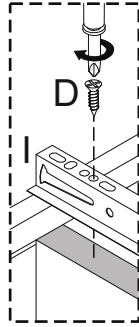
HARDWARE REQUIRED



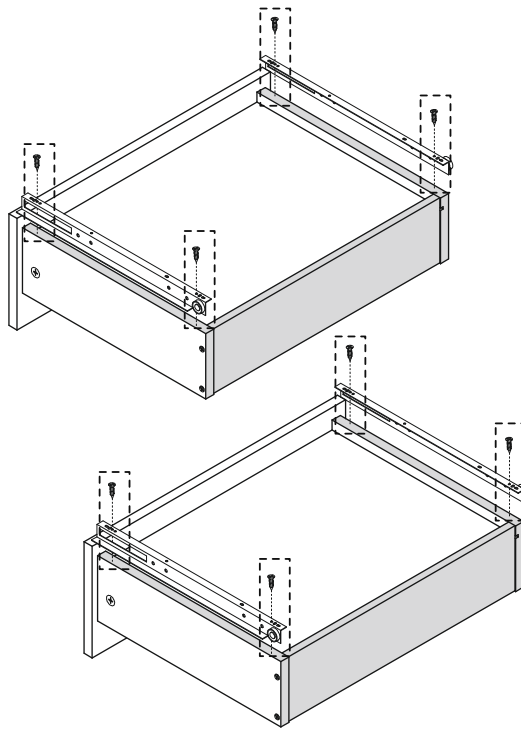
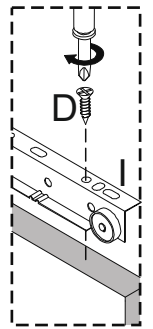
TOOLS REQUIRED



FRONT

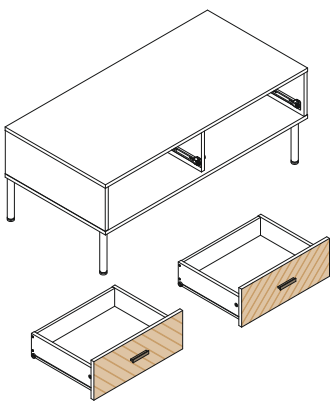


BACK



STEP 14

PARTS REQUIRED



HARDWARE REQUIRED

TOOLS REQUIRED

