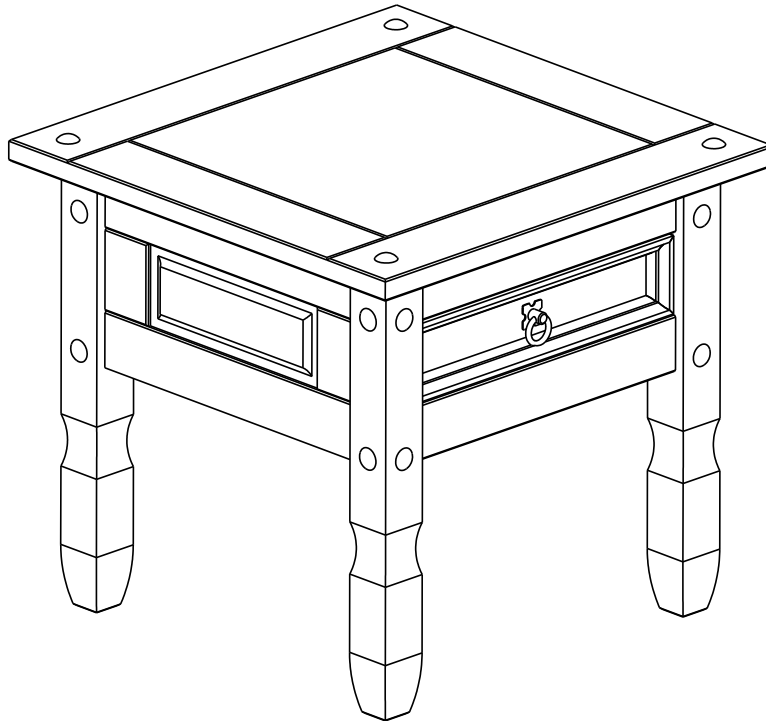


CORONA 1 DRAWER LAMP TABLE

ASSEMBLY INSTRUCTIONS



IMPORTANT

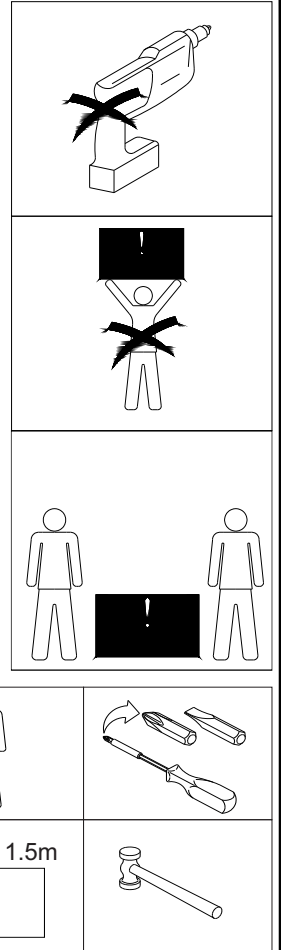
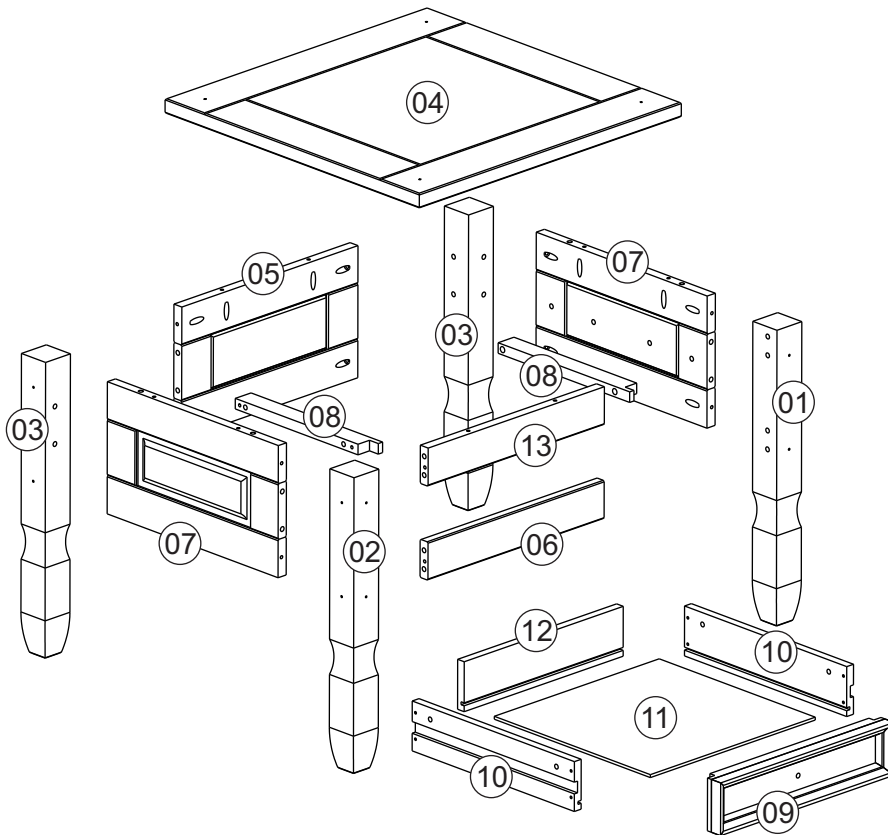
PLEASE READ BEFORE YOU CONTINUE FURTHER

FOR DOMESTIC USE ONLY

CARE AND MAINTENANCE

After unpacking this product please keep the original packaging in case it needs to be returned for any reason.

- Please ensure all fittings and parts are present before commencing with assembly.
- We recommend that you lay a blanket or sheet on the floor to avoid damage to both your floor and the product.
- We strongly recommend that you keep children away from your work area.
- Assemble this product as close to its final position as possible.
- Never drag or push products as this could cause damage to the joints making it inferior.
- Do not place this product next to a radiator or in direct sunlight.
- Wood is a natural product and may expand if subjected to damp and may shrink or crack if subjected to heat. Therefore it is recommended that room temperature is maintained, with no sudden temperature fluctuations.
- Make sure any spillage is wiped off immediately.
- Do not place hot or chilled items directly on to the surface, use a place mat or marking will occur.
- For general cleaning use a duster, and do not use detergents of any kind. However, the surface will need to be retreated from time to time. This can be done by using block wax (unperfumed) and rubbing it over the whole item.
- From time to time it may be necessary to tighten fittings, regular inspections should be carried out.




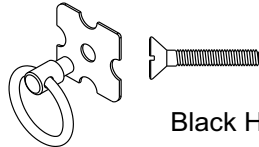
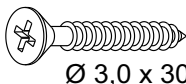
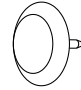
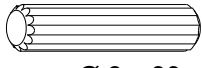
!
 * Use of power tools to assemble this product will invalidate any claim and damage this product making it unsafe !!!
 * Please assemble on a clean soft surface to avoid damage.

!
 * Please check contents and read the instructions before commencing assembly.
 * Assemble this product following the enclosed instructions carefully.
 * Please take care to avoid damaging panels during assembly.

PARTS LIST

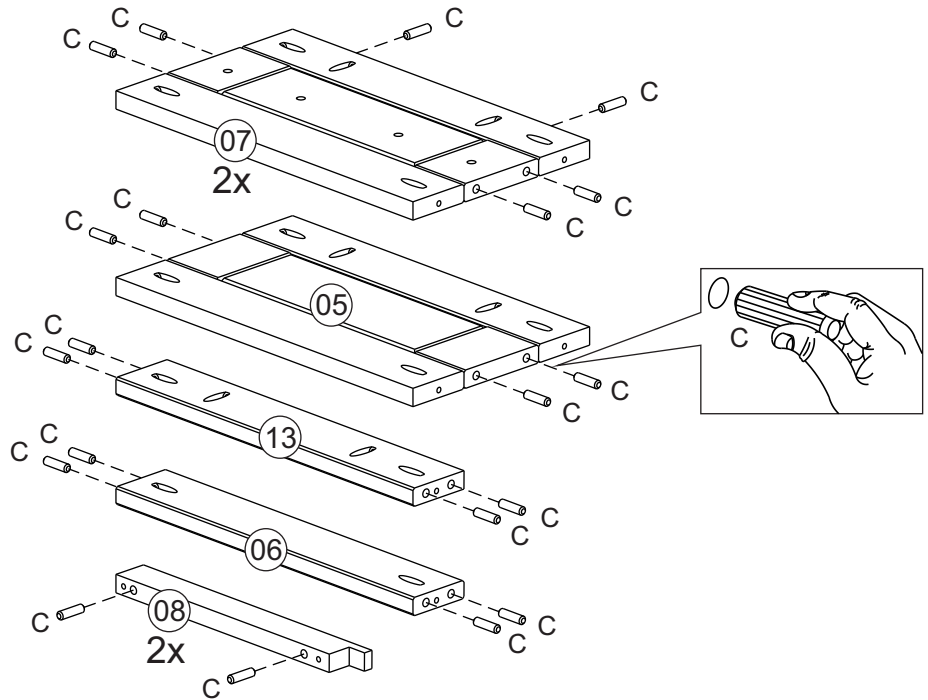
No.	Part Name	Qty	No.	Part Name	Qty
01	Front Right Leg	01	08	Drawer Runner	02
02	Front Left Leg	01	09	Drawer Front	01
03	Back Leg	02	10	Drawer Side	02
04	Top Panel	01	11	Drawer Bottom	01
05	Back Panel	01	12	Drawer Back	01
06	Front Lower Crossbeam	01	13	Front Upper Crossbeam	01
07	Side Panel	02			


FITTINGS

A	 Ø 3,5 x 35mm	28	D	 Black Handle	01
B	 Ø 3,0 x 30mm	08	E	 Metal Stud	20
C	 Ø 8 x 30mm	30			

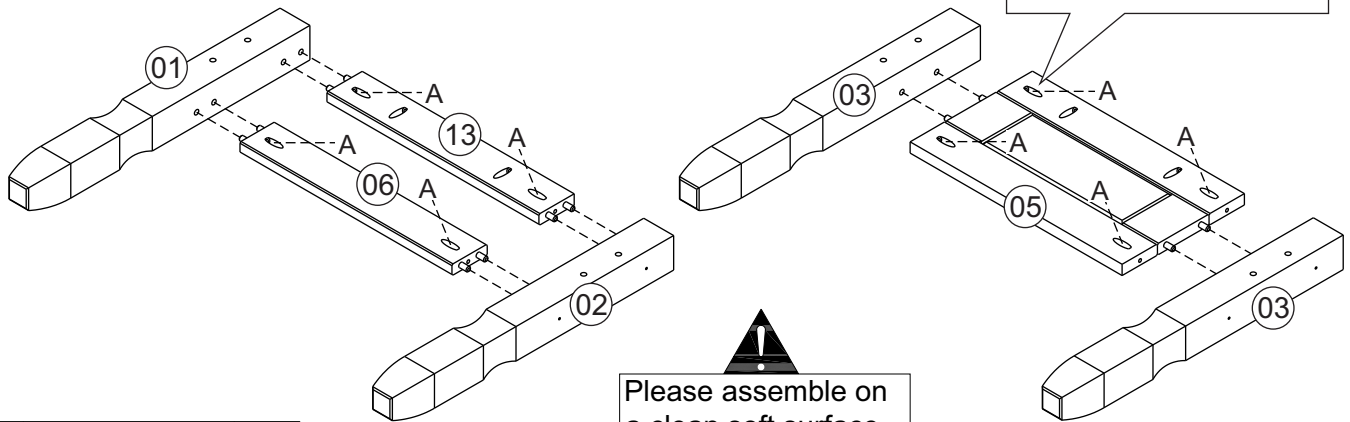
01 PRE-ASSEMBLY

!
Please assemble on a clean soft surface to avoid damage.

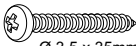


C		28
Ø 8 x 30mm		

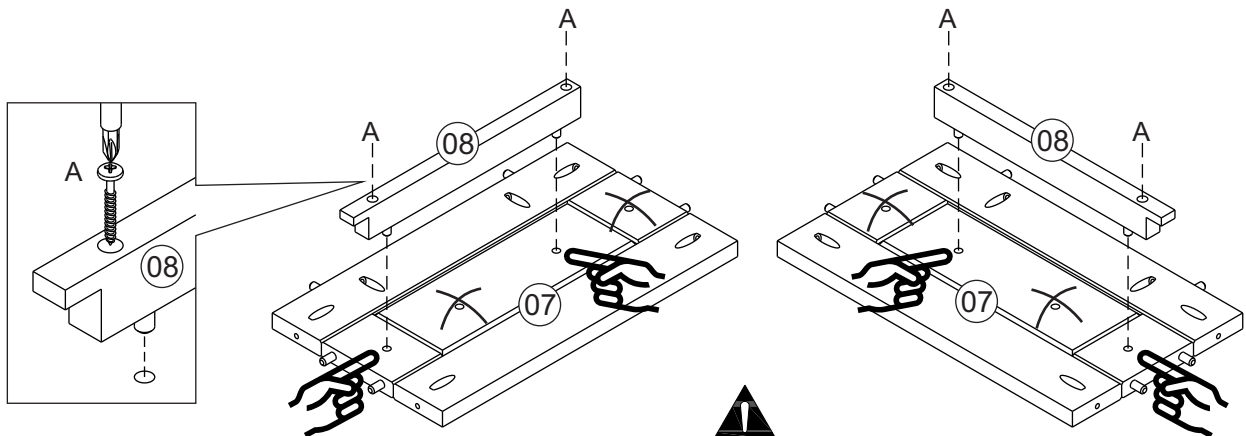
02



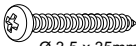
!
Please assemble on a clean soft surface to avoid damage.

A		08
Ø 3,5 x 35mm		

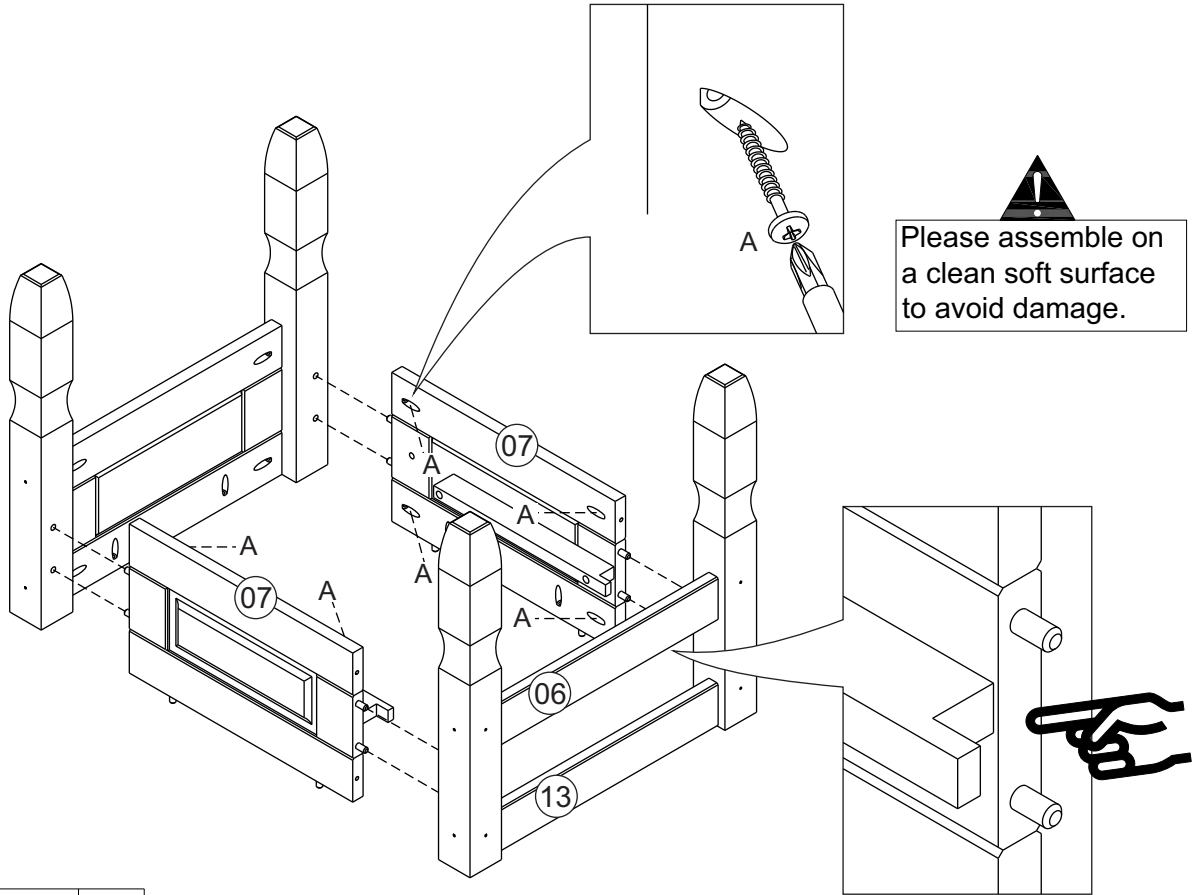
03



!
Please assemble on a clean soft surface to avoid damage.

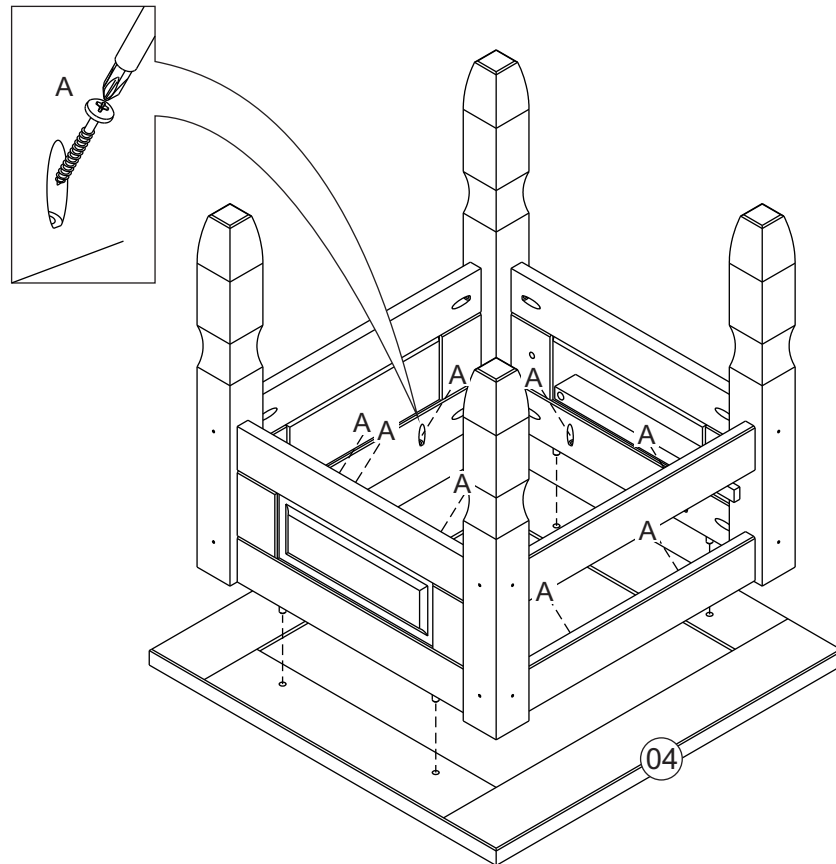
A		04
Ø 3,5 x 35mm		


04

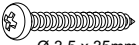


A		08
<small>Ø 3,5 x 35mm</small>		

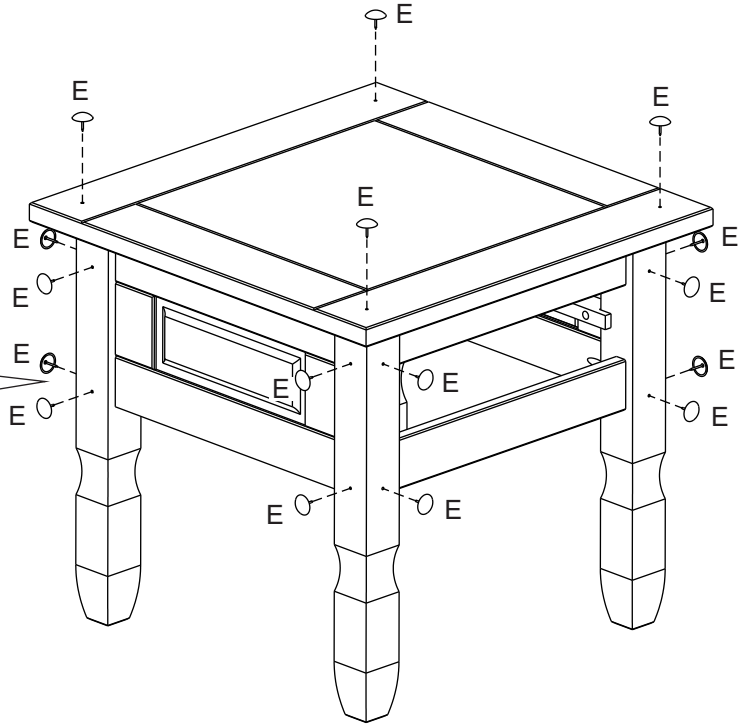
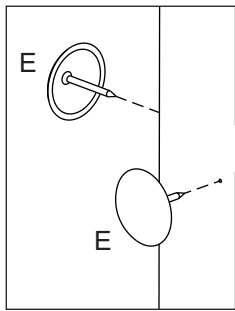
05




Please assemble on a clean soft surface to avoid damage.

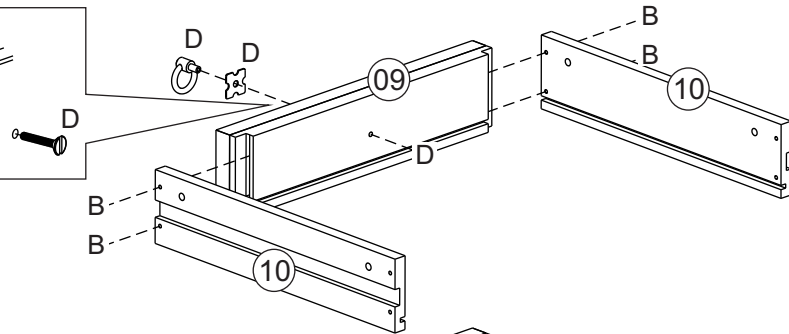
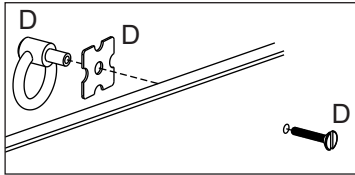
A		08
<small>Ø 3,5 x 35mm</small>		

06

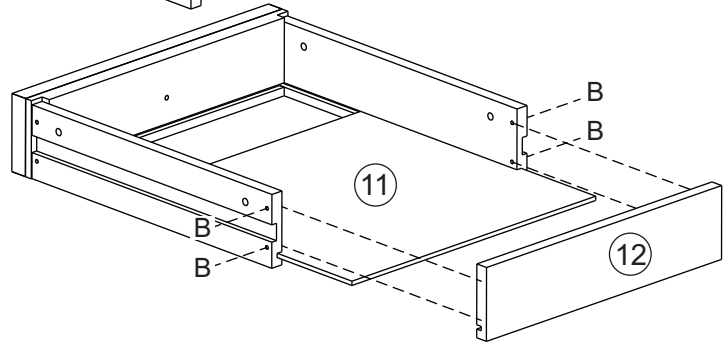


E		20
---	--	----

07

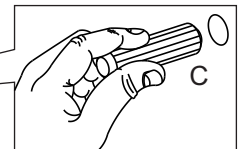
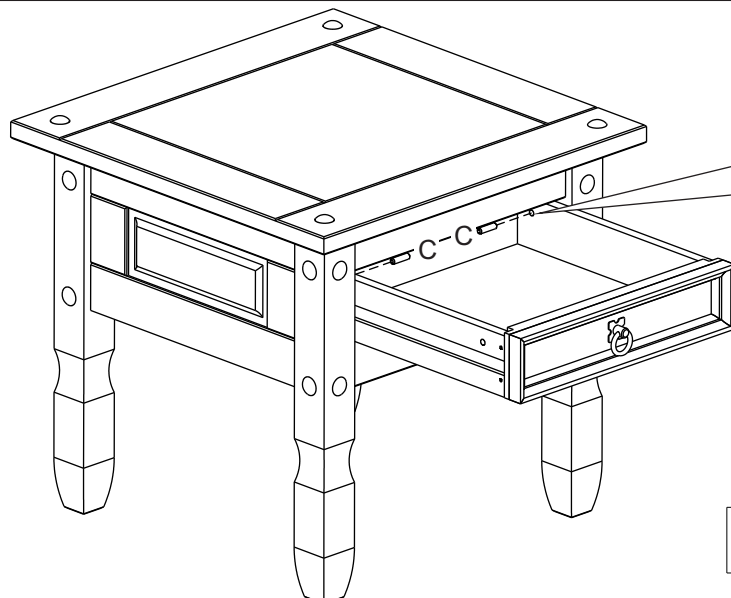


Please assemble on a clean soft surface to avoid damage.



B	 Ø 3,0 x 30mm	08
D	 Black	01

08



C	 Ø 8 x 30mm	02
---	----------------	----